



# BRAKE WITH THE DIFFERENCE

SAFETY

PERFORMANCE

OEM Standards

AYD QUALITY



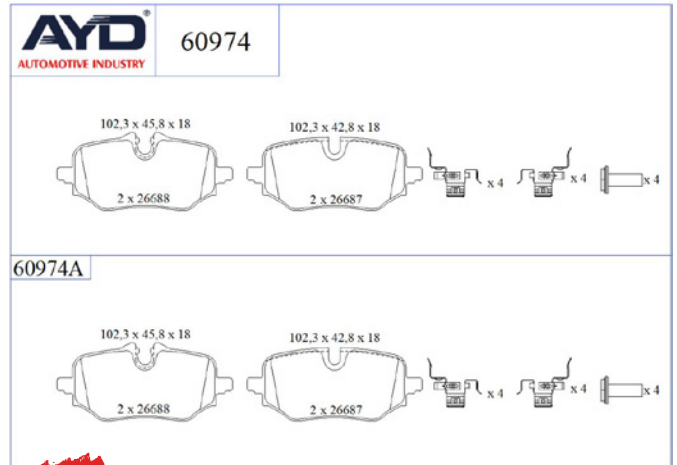
FEBRUARY 2025

## INDEX

<b>BMW</b> .....	<b>3</b>
<b>CHEVROLET</b> .....	<b>4-5</b>
<b>CITROEN</b> .....	<b>6</b>
<b>FIAT</b> .....	<b>7</b>
<b>FORD</b> .....	<b>8-9</b>
<b>HONDA</b> .....	<b>10-12</b>
<b>HYUNDAI</b> .....	<b>13</b>
<b>ISUZU</b> .....	<b>14</b>
<b>JAC</b> .....	<b>15</b>
<b>LAND ROVER</b> .....	<b>16-17</b>
<b>MAZDA</b> .....	<b>18</b>
<b>OPEL</b> .....	<b>19-21</b>
<b>RENAULT</b> .....	<b>22</b>
<b>SUZUKI</b> .....	<b>23</b>
<b>VAUXHALL</b> .....	<b>24</b>

### BRAKE PAD

11-60974



• Rear Axle

OE:  
34208834998

- Safety
- Performance
- OEM Standarts
- AYD Quality

WVA :26687-26688

#### Technical Specifications:

Code	Shim	Wear Indicator	Indicator Type	Piston Spring	Compression Spring	Rivet	Clips	Bolt	Plastic Plug	Kit
60974A	4	-	-	-	-	-	8	4	-	-

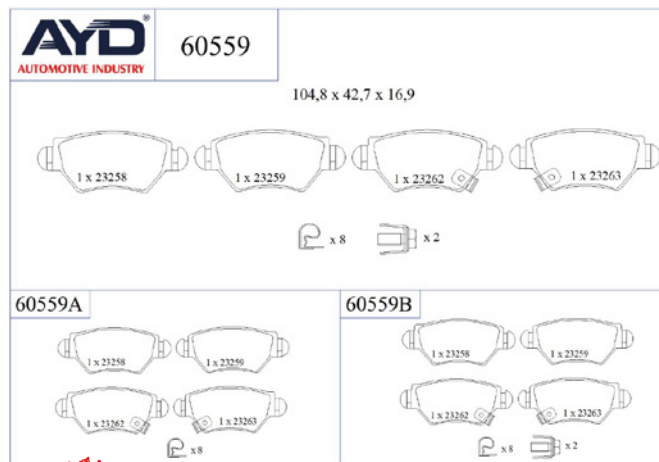
## BMW

MODEL	START D.	END Y.
X1 (U11)	2022/07	



### BRAKE PAD

11-60559



• Rear Axle

OE:  
9195685 / 9198598

• Safety  
• Performance  
• OEM Standarts  
• AYD Quality

**WVA :23258-23259-23762-23263**

#### Technical Specifications:

Code	Shim	Wear Indicator	Indicator Type	Piston Spring	Compression Spring	Rivet	Clips	Bolt	Plastic Plug	Kit
60559A	4	2	-	-	8	-	-	-	-	-
60559B	4	2	-	-	8	-	-	2	-	-

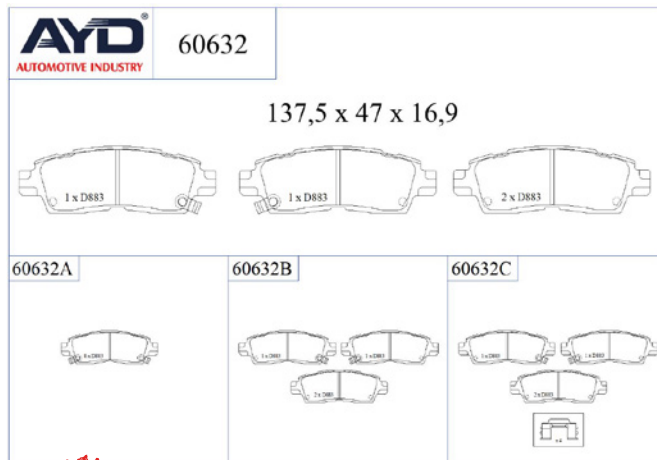
## CHEVROLET

MODEL	START D.	END Y.
ASTRA Estate	1994/09	2011/12
ASTRA Hatchback	1998/09	2011/12
ASTRA Saloon	1998/10	2011/12
CORSA Pickup	1994/08	2010/12
CORSA Saloon	1994/03	2010/12
VIVA	2003/09	2008/03
ZAFIRA (F75)	1999/02	2012/12



### BRAKE PAD

11-60632



• Rear Axle

OE:  
15855898

· Safety  
· Performance  
· OEM Standarts  
· AYD Quality

WVA :24447-24445-24446

#### Technical Specifications:

Code	Shim	Wear Indicator	Indicator Type	Piston Spring	Compression Spring	Rivet	Clips	Bolt	Plastic Plug	Kit
60632B	4	2	-	-	-	-	-	-	-	-
60632A	4	8	-	-	-	-	-	-	-	-
60632C	4	2	-	-	-	-	-	-	-	1

## CHEVROLET

MODEL	START D.	END Y.
TRAILBLAZER (KC_)	2001/09	2009/12
TRAVERSE	2017/07	
TRAVERSE	2008/09	



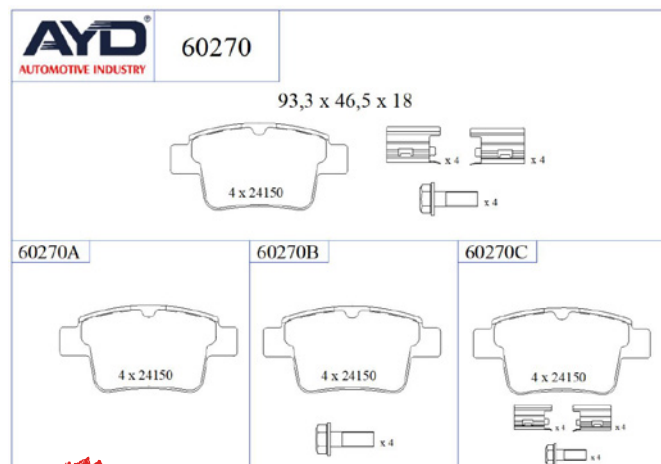
### BRAKE PAD

11-60270



• Rear Axle

OE:  
1607961680



- Safety
- Performance
- OEM Standarts
- AYD Quality

WVA :24150

#### Technical Specifications:

Code	Shim	Wear Indicator	Indicator Type	Piston Spring	Compression Spring	Rivet	Clips	Bolt	Plastic Plug	Kit
60270C	4	-	-	-	-	-	8	4	-	-
60270A	4	-	-	-	-	-	-	-	-	-
60270B	4	-	-	-	-	-	-	4	-	-

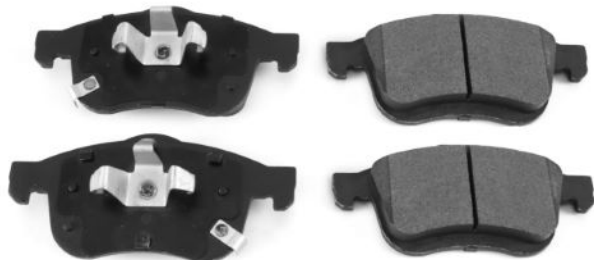
## CITROËN

MODEL	START D.	END Y.
C4 Coupe (LA_)	2004/11	2013/12
C4 I (LC_)	2004/11	2014/12
C4 I Hatchback Van (LR_)	2005/02	2010/12



### BRAKE PAD

11-60607



<b>AYD</b> AUTOMOTIVE INDUSTRY	60607	155,3 x 71,5 x 20,2	155,3 x 69 x 20,2
		2 x 25905	1 x 25907 1 x 25906
60607A		155,3 x 71,5 x 20,2	155,3 x 69 x 20,2
		2 x 25905	1 x 25907 1 x 25906

• Front Axle

OE:  
68211488AA

- Safety
- Performance
- OEM Standarts
- AYD Quality

WVA :25905-25906-25907

#### Technical Specifications:

Code	Shim	Wear Indicator	Indicator Type	Piston Spring	Compression Spring	Rivet	Clips	Bolt	Plastic Plug	Kit
60607A	4	2	-	2	-	-	-	-	-	-

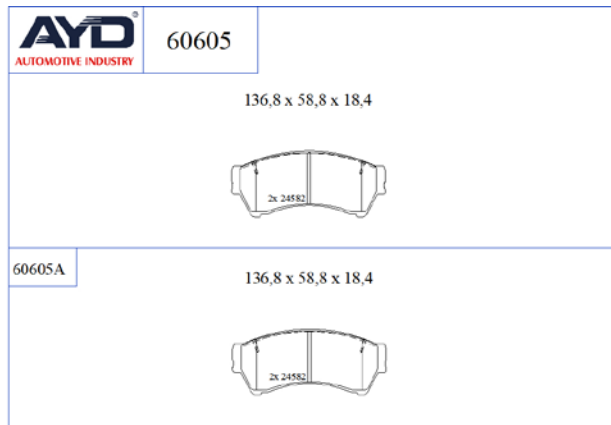
## FIAT

MODEL	START D.	END Y.
500L (351_ . 352_)	2012/09	



### BRAKE PAD

11-60605



• Front Axle

OE:  
B5DA03328Z / B5DA03328Z-M /  
B5DA03328Z-MM

· Safety  
· Performance  
· OEM Standarts  
· AYD Quality

WVA :24582

#### Technical Specifications:

Code	Shim	Wear Indicator	Indicator Type	Piston Spring	Compression Spring	Rivet	Clips	Bolt	Plastic Plug	Kit
60605A	4	-	-	-	-	-	-	-	-	-

## FORD

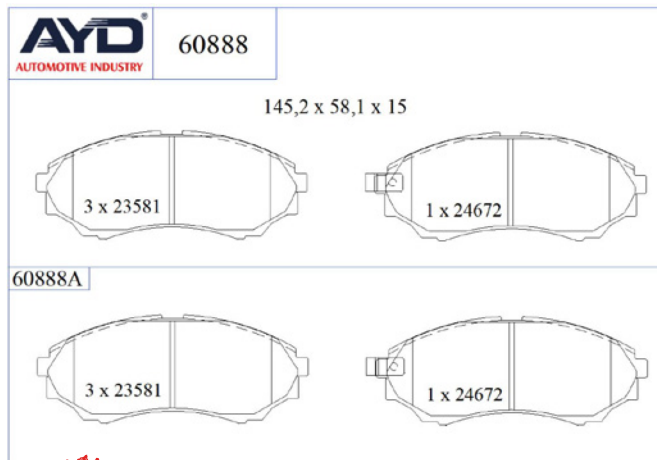
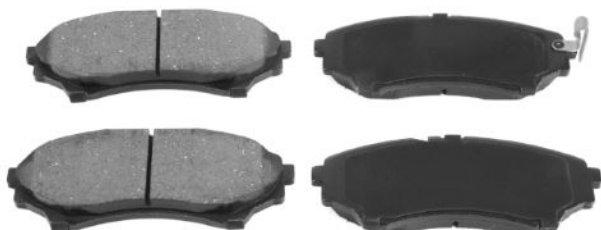
MODEL	START D.	END Y.
FUSION Saloon	2006/05	2012/12





### BRAKE PAD

11-60888



• Front Axle

OE:  
4432201

- Safety
- Performance
- OEM Standarts
- AYD Quality

WVA :24353-24672

#### Technical Specifications:

Code	Shim	Wear Indicator	Indicator Type	Piston Spring	Compression Spring	Rivet	Clips	Bolt	Plastic Plug	Kit
60888A	4	1	-	-	-	-	-	-	-	-

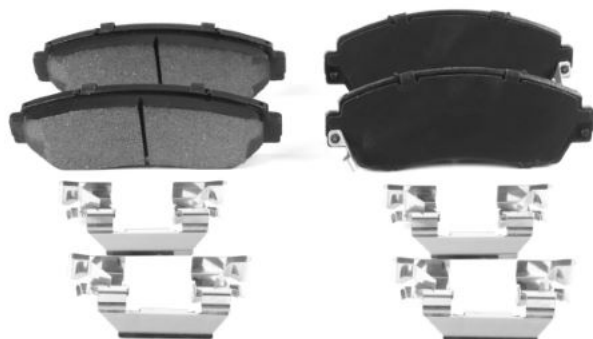
## FORD

MODEL	START D.	END Y.
EVEREST I (US4)	2009/10	2015/03
RANGER (ER. EQ. R_)	1997/04	2011/12
RANGER (ET)	2005/01	2012/07



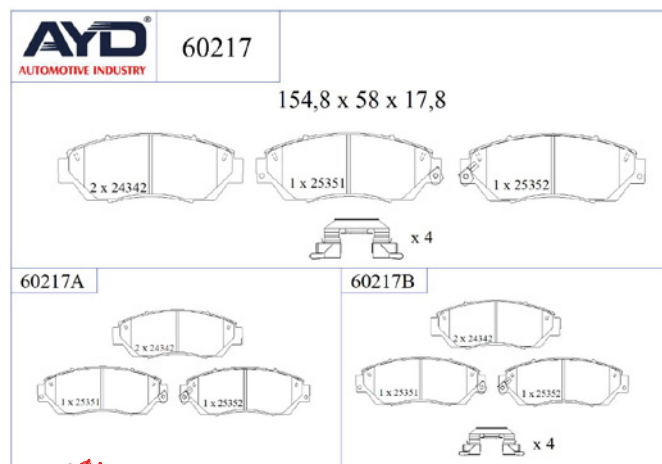
### BRAKE PAD

11-60217



• Front Axle

OE:  
45022T0AA00



- Safety
- Performance
- OEM Standarts
- AYD Quality

WVA :24342-25351-25352

#### Technical Specifications:

Code	Shim	Wear Indicator	Indicator Type	Piston Spring	Compression Spring	Rivet	Clips	Bolt	Plastic Plug	Kit
60217A	4	2	-	-	-	-	-	-	-	-
60217B	4	2	-	-	-	-	4	-	-	-

## HONDA

MODEL	START D.	END Y.
CR-V III (RE_)	2006/06	
CR-V IV (RM_)	2012/01	
CR-V V (RW_ RT_)	2016/12	
CROSSTOUR I	2009/09	
ODYSSEY (RC1. RC2. RC4)	2013/12	
ODYSSEY (RL5)	2010/08	



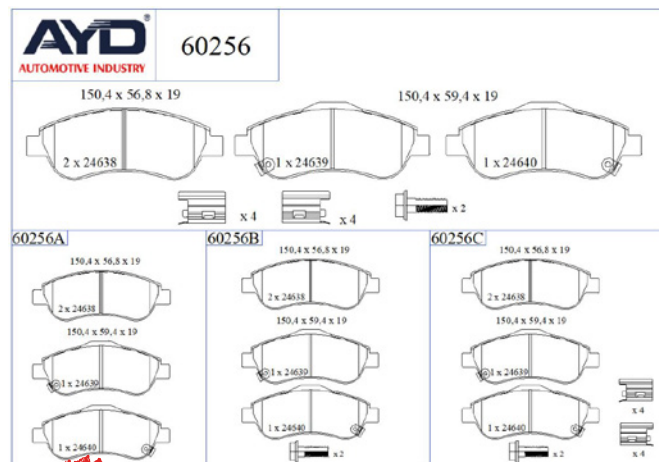
### BRAKE PAD

11-60256



• Front Axle

OE:  
45022SWWG00



• Safety  
• Performance  
• OEM Standards  
• AYD Quality

WVA :24638-24639-24640

#### Technical Specifications:

Code	Shim	Wear Indicator	Indicator Type	Piston Spring	Compression Spring	Rivet	Clips	Bolt	Plastic Plug	Kit
60256A	4	2	-	-	-	-	-	-	-	-
60256B	2	2	-	-	-	-	-	2	-	-
60256C	4	2	-	-	-	-	8	2	-	-

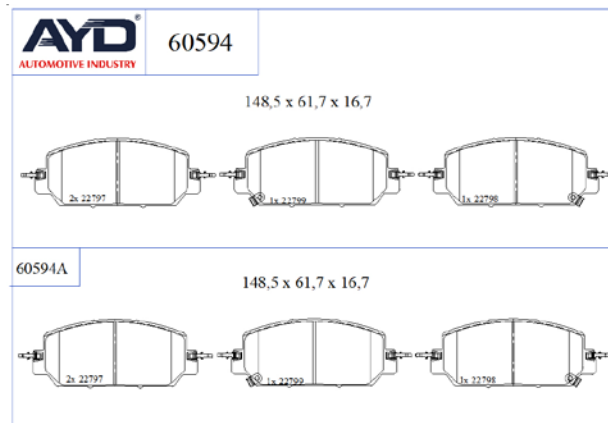
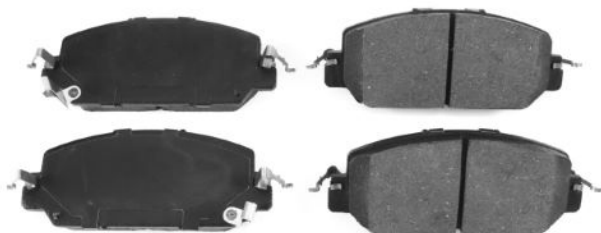
## HONDA

MODEL	START D.	END Y.
CR-V III (RE_)	2006/06	
CR-V IV (RM_)	2012/01	



### BRAKE PAD

11-60594



• Front Axle

OE:  
45022TLAA01

- Safety
- Performance
- OEM Standarts
- AYD Quality

WVA :22797-22798-22799

#### Technical Specifications:

Code	Shim	Wear Indicator	Indicator Type	Piston Spring	Compression Spring	Rivet	Clips	Bolt	Plastic Plug	Kit
60594A	4	2	-	-	8	-	-	-	-	-

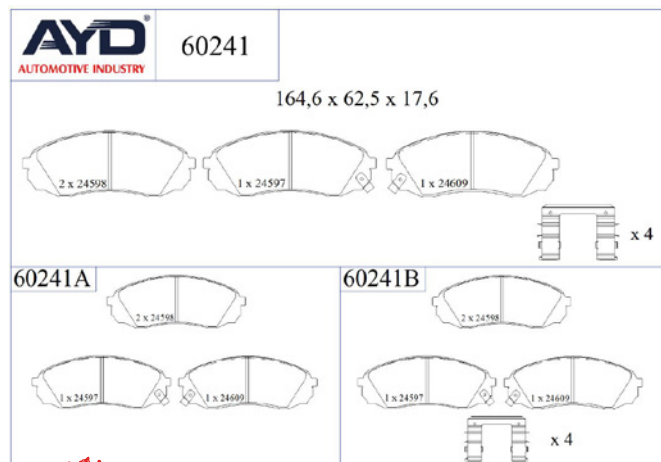
## HONDA

MODEL	START D.	END Y.
CR-V V (RW_ RT_)	2016/12	
CR-V VI (RS_ RY_)	2022/09	
HR-V (RV)	2021/04	



### BRAKE PAD

11-60241



• Front Axle

OE:  
581014HA00

Safety  
Performance  
OEM Standarts  
AYD Quality

WVA :24597-24609-24598

#### Technical Specifications:

Code	Shim	Wear Indicator	Indicator Type	Piston Spring	Compression Spring	Rivet	Clips	Bolt	Plastic Plug	Kit
60241A	4	2	-	-	-	-	-	-	-	-
60241B	4	2	-	-	-	-	4	-	-	-

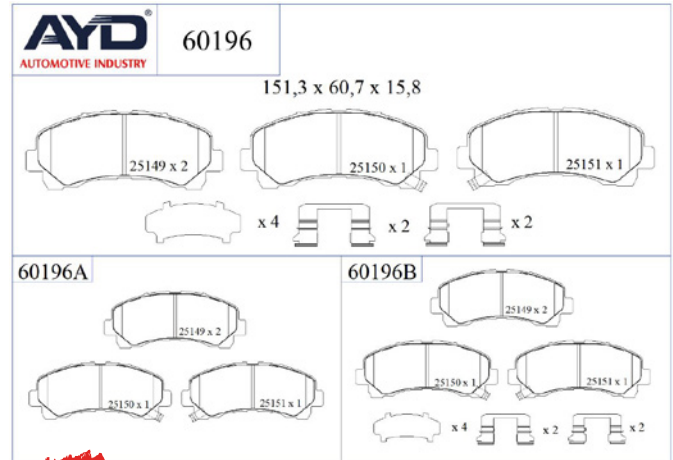
## HYUNDAI

MODEL	START D.	END Y.
H-1 Cargo (TQ)	2007/09	
H-1 Travel (TQ)	2007/09	



### BRAKE PAD

11-60196



• Front Axle

**WVA :25149-25150-25151**

OE:  
8980791040

- Safety
- Performance
- OEM Standarts
- AYD Quality

#### Technical Specifications:

Code	Shim	Wear Indicator	Indicator Type	Piston Spring	Compression Spring	Rivet	Clips	Bolt	Plastic Plug	Kit
60196A	4	2	-	-	-	-	-	-	-	-
60196B	4	2	-	-	-	-	8	-	-	-

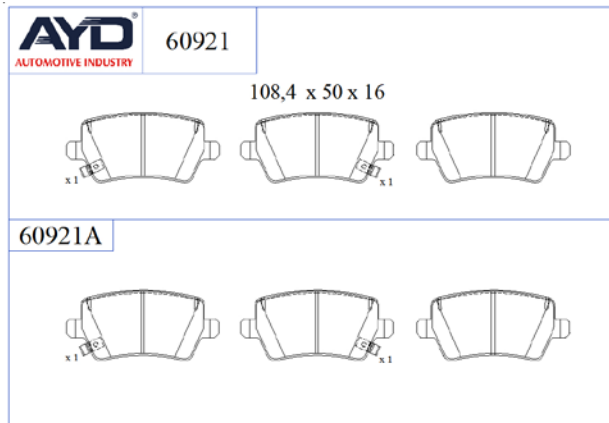
## ISUZU

MODEL	START D.	END Y.
D-MAX I (TFR. TFS)	2002/05	2012/12
D-MAX II (TFR. TFS)	2012/06	



### BRAKE PAD

11-60921



• Rear Axle

OE:  
3500700U3400F031

- Safety
- Performance
- OEM Standarts
- AYD Quality

WVA :

#### Technical Specifications:

Code	Shim	Wear Indicator	Indicator Type	Piston Spring	Compression Spring	Rivet	Clips	Bolt	Plastic Plug	Kit
60921A	4	2	-	-	-	-	4	-	-	-

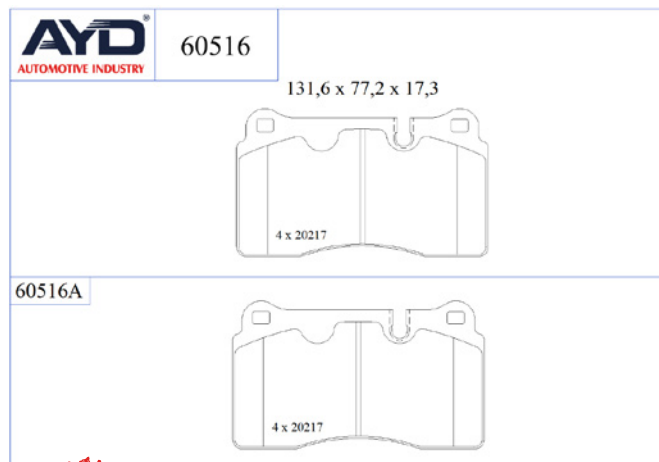
## JAC

MODEL	START D.	END Y.
e-JS4	2022/12	



### BRAKE PAD

11-60516



• Front Axle

OE:  
LR148353 / SFP500070

· Safety  
· Performance  
· OEM Standards  
· AYD Quality

WVA :20217

#### Technical Specifications:

Code	Shim	Wear Indicator	Indicator Type	Piston Spring	Compression Spring	Rivet	Clips	Bolt	Plastic Plug	Kit
60516A	4	-	-	-	-	-	-	-	-	-

## LAND ROVER

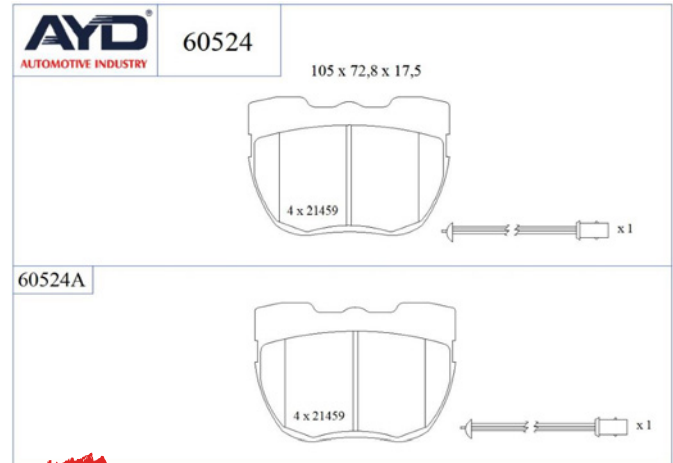
MODEL	START D.	END Y.
RANGE ROVER III (L322)	2002/03	2012/12
RANGE ROVER SPORT I (L320)	2005/02	2013/03





### BRAKE PAD

11-60524



• Front Axle

OE:  
SFP500180

- Safety
- Performance
- OEM Standarts
- AYD Quality

WVA :21459

#### Technical Specifications:

Code	Shim	Wear Indicator	Indicator Type	Piston Spring	Compression Spring	Rivet	Clips	Bolt	Plastic Plug	Kit
60524A	4	1	-	-	-	-	-	-	-	-

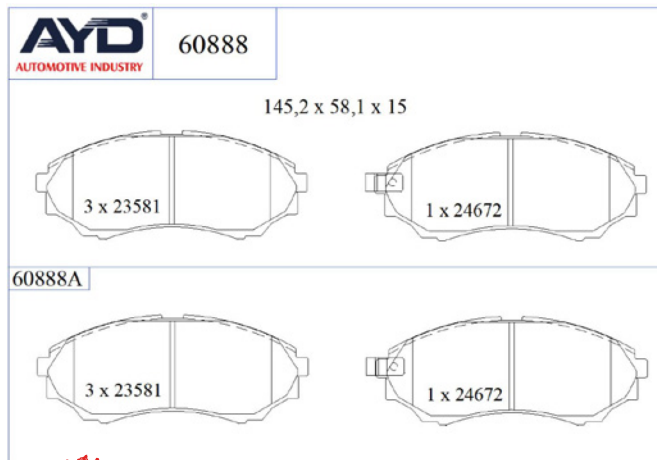
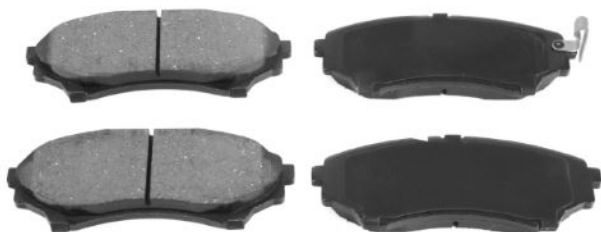
## LAND ROVER

MODEL	START D.	END Y.
DISCOVERY I (LJ)	1989/06	1998/12
RANGE ROVER I	1969/10	1996/04



### BRAKE PAD

11-60888



• Front Axle

OE:  
4432201

- Safety
- Performance
- OEM Standarts
- AYD Quality

WVA :24353-24672

#### Technical Specifications:

Code	Shim	Wear Indicator	Indicator Type	Piston Spring	Compression Spring	Rivet	Clips	Bolt	Plastic Plug	Kit
60888A	4	1	-	-	-	-	-	-	-	-

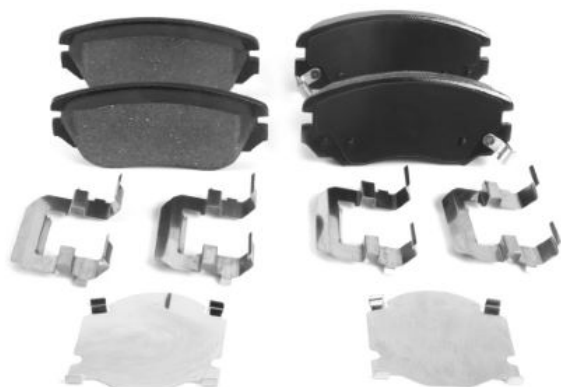
## MAZDA

MODEL	START D.	END Y.
BT-50 Pickup (CD. UN)	2006/08	2015/12



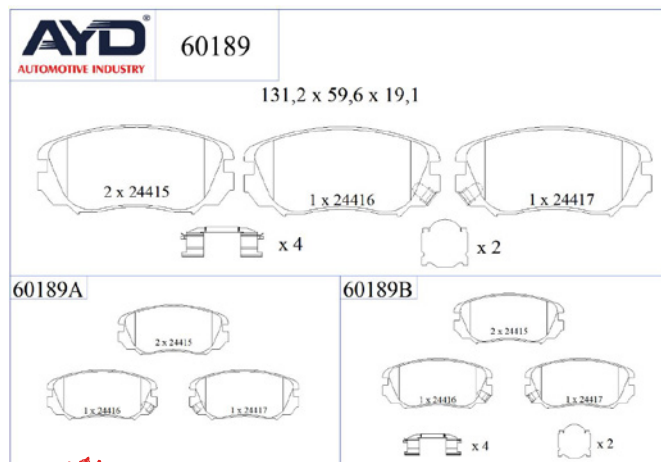
### BRAKE PAD

11-60189



• Front Axle

OE:  
1605185



WVA :24415-24416-24417



#### Technical Specifications:

Code	Shim	Wear Indicator	Indicator Type	Piston Spring	Compression Spring	Rivet	Clips	Bolt	Plastic Plug	Kit
60189A	4	2	-	-	-	-	-	-	-	-
60189B	4	2	-	-	-	-	6	-	-	-

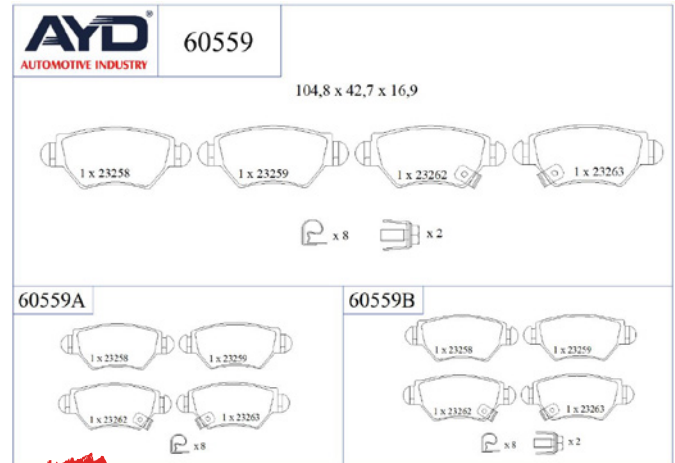
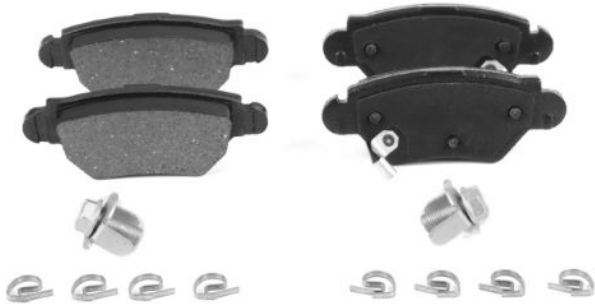
## OPEL

MODEL	START D.	END Y.
INSIGNIA A (G09)	2008/07	2017/03
INSIGNIA A Country Tourer (G09)	2008/07	2017/03
INSIGNIA A Saloon (G09)	2008/07	2017/03
INSIGNIA A Sports Tourer (G09)	2008/07	2017/03



## BRAKE PAD

11-60559



• Rear Axle

OE:  
09198598 / 09117717 / 09195685

Safety  
Performance  
OEM Standarts  
AYD Quality

**WVA :23258-23259-23762-23263**

### Technical Specifications:

Code	Shim	Wear Indicator	Indicator Type	Piston Spring	Compression Spring	Rivet	Clips	Bolt	Plastic Plug	Kit
60559A	4	2	-	-	8	-	-	-	-	-
60559B	4	2	-	-	8	-	-	2	-	-

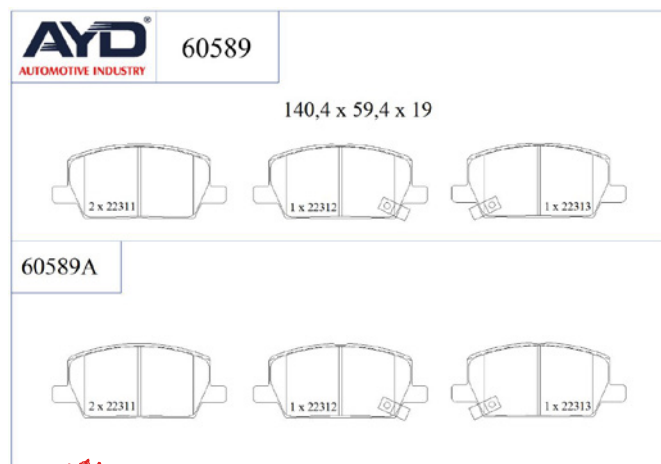
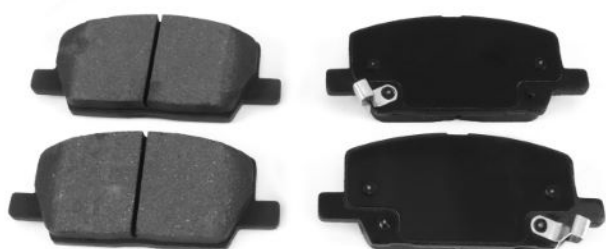
## OPEL

MODEL	START D.	END Y.
ASTRA G CLASSIC Caravan (F35)	2004/03	2009/07
ASTRA G Convertible (T98)	2001/03	2005/10
ASTRA G Coupe (T98)	2000/03	2006/06
ASTRA G Estate (T98)	1998/02	2005/07
ASTRA G Estate Van (F70)	1998/09	2005/04
ASTRA G Hatchback (T98)	1998/02	2009/12
ASTRA G Saloon (T98)	1998/03	2009/12
ZAFIRA A MPV (T98)	1999/04	2006/06



### BRAKE PAD

11-60589



• Front Axle

OE:  
23145357

· Safety  
· Performance  
· OEM Standarts  
· AYD Quality

WVA :22311-22312-22313

#### Technical Specifications:

Code	Shim	Wear Indicator	Indicator Type	Piston Spring	Compression Spring	Rivet	Clips	Bolt	Plastic Plug	Kit
60589A	4	2	-	-	-	-	-	-	-	-

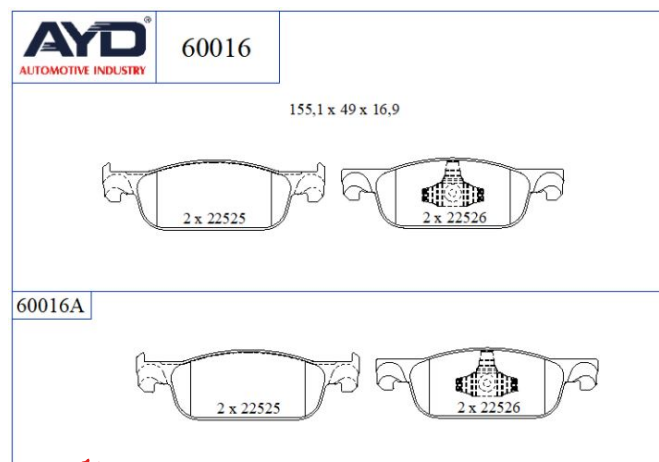
## OPEL

MODEL	START D.	END Y.
INSIGNIA B Country Tourer (Z18)	2017/06	
INSIGNIA B Grand Sport (Z18)	2017/03	
INSIGNIA B Sports Tourer (Z18)	2017/03	
INSIGNIA B Sports Tourer Combi Van (Z18)	2017/03	
MOKKA / MOKKA X (J13)	2012/06	
MOKKA X VAN (J13)	2012/06	



### BRAKE PAD

11-60016



• Front Axle

OE:  
410605536R

· Safety  
· Performance  
· OEM Standarts  
· AYD Quality

WVA :22525-22526

#### Technical Specifications:

Code	Shim	Wear Indicator	Indicator Type	Piston Spring	Compression Spring	Rivet	Clips	Bolt	Plastic Plug	Kit
60016A	4	-	-	2	-	-	-	-	-	-

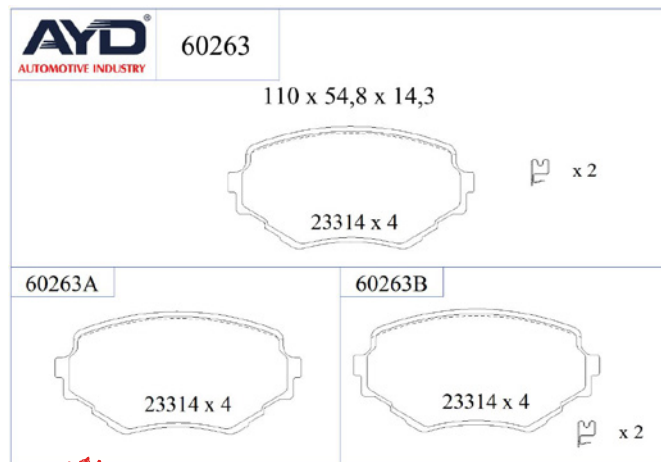
## RENAULT

MODEL	START D.	END Y.
CLIO IV (BH_)	2012/11	2021/08
CLIO IV Grandtour (KH_)	2012/11	2021/08
CLIO IV Hatchback Van (BH_)	2014/01	2021/08
LOGAN II Estate (K8_)	2013/11	
LOGAN/STEPWAY II (L8_)	2012/09	
SANDERO/STEPWAY II (B8_)	2013/11	
THALIA III (L8_)	2013/12	



### BRAKE PAD

11-60263



• Front Axle

OE:  
5520065D11

Safety  
Performance  
OEM Standards  
AYD Quality

WVA :23314

#### Technical Specifications:

Code	Shim	Wear Indicator	Indicator Type	Piston Spring	Compression Spring	Rivet	Clips	Bolt	Plastic Plug	Kit
60263A	4	-	-	-	-	-	-	-	-	-
60263B	4	2	-	-	-	-	-	-	-	-

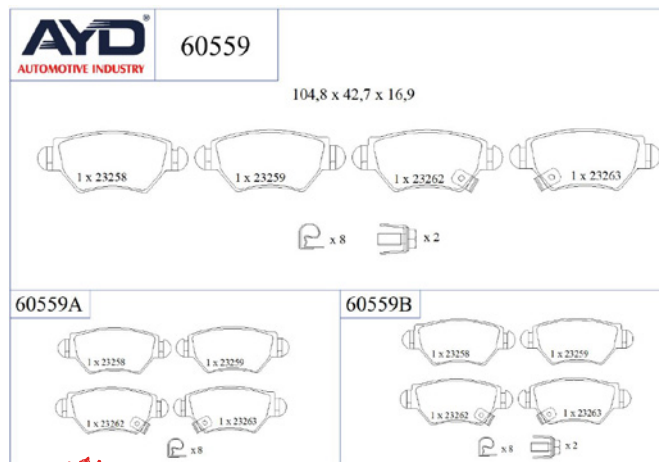
## SUZUKI

MODEL	START D.	END Y.
GRAND VITARA I (FT. HT)	1998/03	2008/08
GRAND VITARA I Open Off-Road Vehicle (GT)	1998/03	2005/09



### BRAKE PAD

11-60559



• Rear Axle

OE:  
9195641 / 9195642

• Safety  
• Performance  
• OEM Standarts  
• AYD Quality

**WVA :23258-23259-23762-23263**

#### Technical Specifications:

Code	Shim	Wear Indicator	Indicator Type	Piston Spring	Compression Spring	Rivet	Clips	Bolt	Plastic Plug	Kit
60559A	4	2	-	-	8	-	-	-	-	-
60559B	4	2	-	-	8	-	-	2	-	-

## VAUXHALL

MODEL	START D.	END Y.
ASTRA Mk IV (G) Convertible (T98)	2001/03	2005/10
ASTRA Mk IV (G) Coupe (T98)	2000/03	2005/08
ASTRA Mk IV (G) Estate (T98)	1998/02	2005/05
ASTRA Mk IV (G) Hatchback (T98)	1998/02	2005/05
ASTRA Mk IV (G) Saloon (T98)	1998/02	2005/05
ASTRAVAN Mk IV (G) Estate Van (T98)	1993/01	2006/08
ZAFIRA A (T98)	1998/11	2005/08

