



# BRAKE WITH THE DIFFERENCE

SAFETY

PERFORMANCE

OEM Standards

AYD QUALITY



JANUARY 2025

[www.aydtr.com](http://www.aydtr.com)

## INDEX

<b>AUDI</b> .....	<b>3</b>
<b>CHERY</b> .....	<b>4</b>
<b>FIAT</b> .....	<b>5</b>
<b>FORD</b> .....	<b>6-7</b>
<b>HYUNDAI</b> .....	<b>8</b>
<b>INFINITI</b> .....	<b>9-11</b>
<b>IVECO</b> .....	<b>12</b>
<b>KIA</b> .....	<b>13</b>
<b>MAZDA</b> .....	<b>14</b>
<b>MERCEDES BENZ</b> .....	<b>15</b>
<b>MINI</b> .....	<b>16</b>
<b>NISSAN</b> .....	<b>17-20</b>
<b>OPEL</b> .....	<b>21</b>
<b>TESLA</b> .....	<b>22</b>
<b>TOYOTA</b> .....	<b>23-26</b>
<b>VAUXHALL</b> .....	<b>27</b>

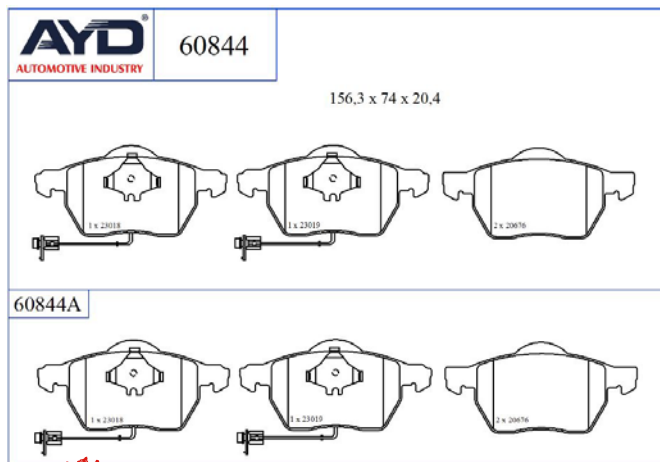
### BRAKE PAD

11-60844



• Front Axle

OE:  
3BD698151



• Safety  
• Performance  
• OEM Standarts  
• AYD Quality

WVA :23018-23019-20676

#### Technical Specifications:

Code	Shim	Wear Indicator	Indicator Type	Piston Spring	Compression Spring	Rivet	Clips	Bolt	Plastic Plug	Kit
60844A	4	2	-	2	-	-	-	-	-	-

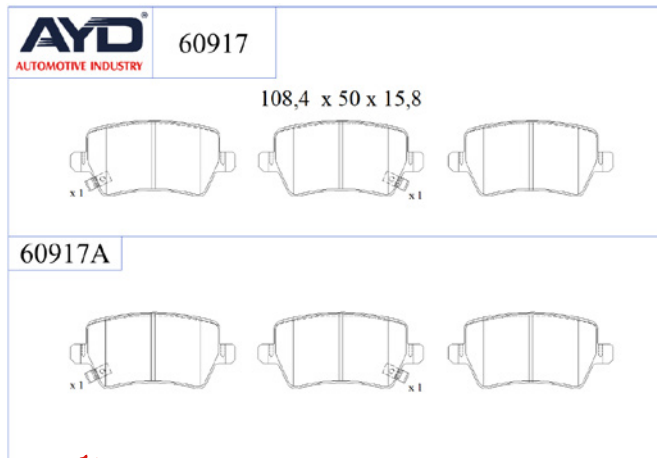
## AUDI

MODEL	START D.	END Y.
A4 B5 (8D2)	1994/11	2001/12
A4 B5 Avant (8D5)	1994/11	2002/12
A4 B6 (8E2)	2000/11	2005/12
A4 B6 Avant (8E5)	2000/02	2005/12
A4 B6 Convertible (8H7)	2002/01	2009/12
A4 B7 (8EC)	2004/11	2009/01
A4 B7 Avant (8ED)	2004/11	2008/11
A4 B7 Convertible (8HE)	2002/01	2010/01



## BRAKE PAD

11-60917



• Rear Axle

OE:  
T156GN3502080EP

· Safety  
· Performance  
· OEM Standarts  
· AYD Quality

WVA :

### Technical Specifications:

Code	Shim	Wear Indicator	Indicator Type	Piston Spring	Compression Spring	Rivet	Clips	Bolt	Plastic Plug	Kit
60917A	4	2	-	-	-	-	-	-	-	-

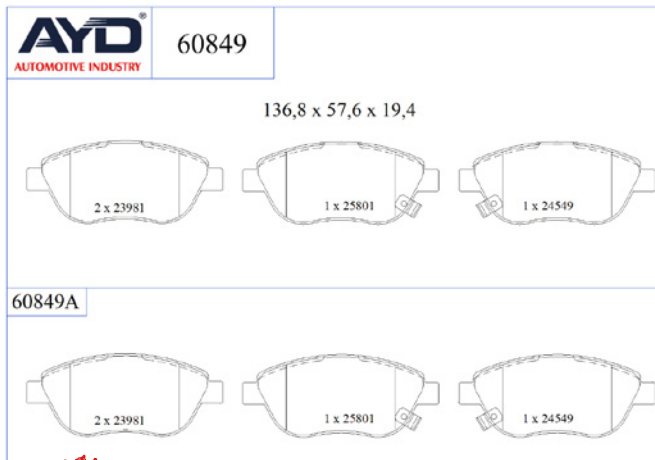
## CHERY

MODEL	START D.	END Y.
OMODA 5	2022/07	



## BRAKE PAD

11-60849



• Front Axle

OE:  
77366534

· Safety  
· Performance  
· OEM Standarts  
· AYD Quality

**WVA :23981-23802-25549**

### Technical Specifications:

Code	Shim	Wear Indicator	Indicator Type	Piston Spring	Compression Spring	Rivet	Clips	Bolt	Plastic Plug	Kit
60849A	4	2	-	-	-	-	-	-	-	-

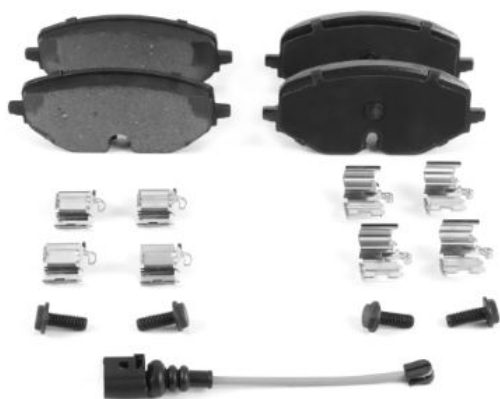
## FIAT

MODEL	START D.	END Y.
500L (351_ . 352_)	2012/09	



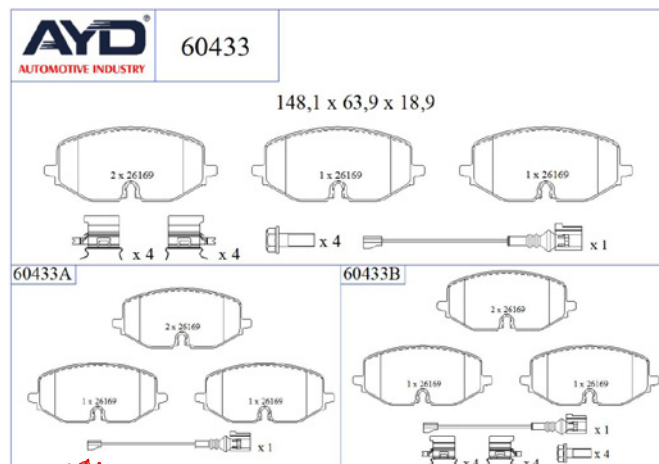
## BRAKE PAD

11-60433



• Front Axle

OE:  
2614210 / VWN3CA2D390EA



• Safety  
• Performance  
• OEM Standarts  
• AYD Quality

WVA :26169

### Technical Specifications:

Code	Shim	Wear Indicator	Indicator Type	Piston Spring	Compression Spring	Rivet	Clips	Bolt	Plastic Plug	Kit
60433A	4	1	-	-	-	-	-	-	-	-
60433B	4	1	-	-	-	-	4	-	-	8

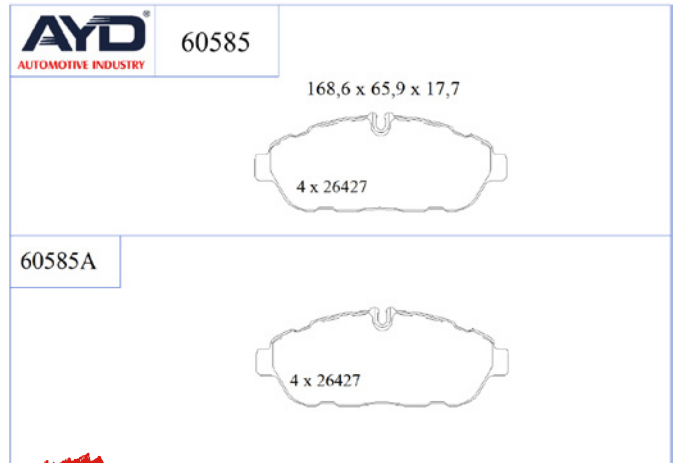
## FORD

MODEL	START D.	END Y.
TOURNEO CONNECT / GRAND TOURNEO CONNECT V761 MPV (SK)	2022/02	



## BRAKE PAD

11-60585



• Front Axle

OE:  
BRF1902

· Safety  
· Performance  
· OEM Standarts  
· AYD Quality

WVA :26427

### Technical Specifications:

Code	Shim	Wear Indicator	Indicator Type	Piston Spring	Compression Spring	Rivet	Clips	Bolt	Plastic Plug	Kit
60585A	4	-	-	-	-	-	-	-	-	-

## FORD

MODEL	START D.	END Y.
TRANSIT V363 Bus (FAD. FBD)	2013/08	
TRANSIT V363 Platform/Chassis (FED. FFD)	2013/08	
TRANSIT V363 Van (FCD. FDD)	2013/08	



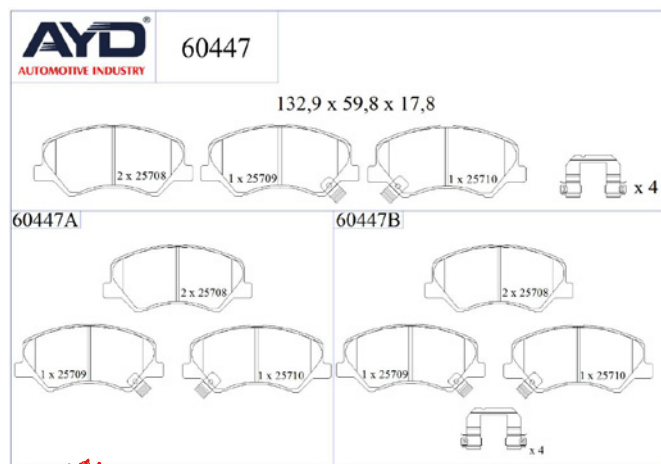
### BRAKE PAD

11-60447



• Front Axle

OE:  
581013XA10



• Safety  
• Performance  
• OEM Standarts  
• AYD Quality

WVA :25708-25709-25710

#### Technical Specifications:

Code	Shim	Wear Indicator	Indicator Type	Piston Spring	Compression Spring	Rivet	Clips	Bolt	Plastic Plug	Kit
60447A	4	2	-	-	-	-	-	-	-	-
60447B	4	2	-	-	-	-	4	-	-	-

## HYUNDAI

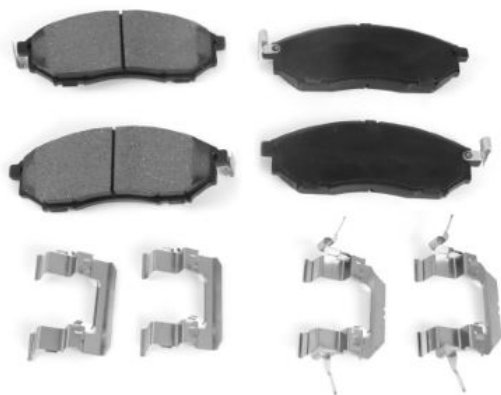
MODEL	START D.	END Y.
ELANTRA V Coupe (JK)	2012/09	
ELANTRA V Saloon (MD. UD)	2010/09	2017/12
EQUUS / CENTENNIAL (VI)	2009/03	2016/12
i30 (GD)	2011/06	
i30 (PDE. PD. PDEN)	2016/11	
i30 Coupe	2013/05	
i30 Estate (GD)	2012/06	
i30 Estate (PDE)	2017/03	





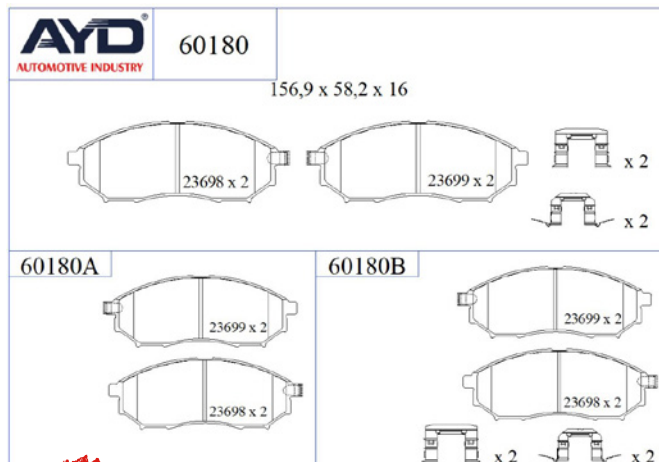
## BRAKE PAD

11-60180



• Front Axle

OE:  
41060AT30J



• Safety  
• Performance  
• OEM Standarts  
• AYD Quality

**WVA :23698-23699**

### Technical Specifications:

Code	Shim	Wear Indicator	Indicator Type	Piston Spring	Compression Spring	Rivet	Clips	Bolt	Plastic Plug	Kit
60180A	4	2	-	-	-	-	-	-	-	-
60180B	4	4	-	-	-	-	5	-	-	-

## INFINITI

MODEL	START D.	END Y.
EX	2007/09	2008/12
FX	2002/09	
G Saloon	2007/01	
G Saloon	2002/08	
M (Y51)	2010/03	
Q70 (Y51)	2013/03	



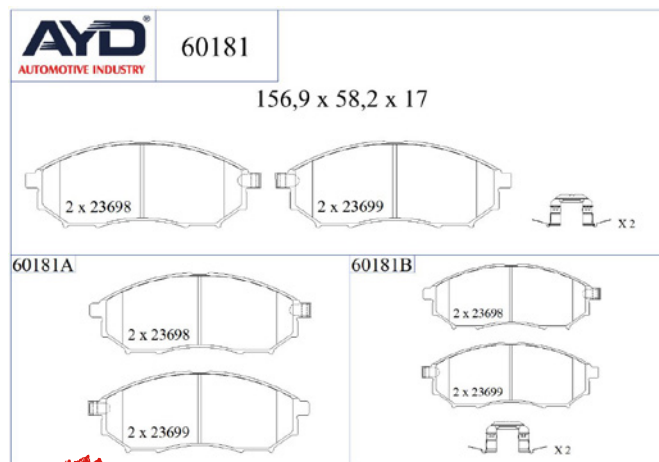
### BRAKE PAD

11-60181



• Front Axle

OE:  
41060AT30J



- Safety
- Performance
- OEM Standarts
- AYD Quality

WVA :23698-23699

#### Technical Specifications:

Code	Shim	Wear Indicator	Indicator Type	Piston Spring	Compression Spring	Rivet	Clips	Bolt	Plastic Plug	Kit
60181A	4	2	-	-	-	-	-	-	-	-
60181B	4	4	-	-	-	-	2	-	-	-

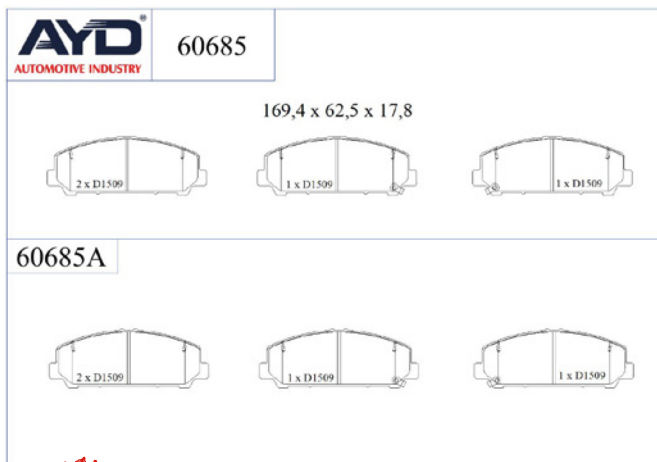
## INFINITI

MODEL	START D.	END Y.
EX	2007/09	2008/12
FX	2002/09	
G Saloon	2007/01	2008/12
G Saloon	2002/08	
M (Y51)	2010/03	2008/12
Q70 (Y51)	2013/03	



## BRAKE PAD

11-60685



• Front Axle

OE:  
D10609FE0A

· Safety  
· Performance  
· OEM Standarts  
· AYD Quality

WVA :22042-22043-22044

### Technical Specifications:

Code	Shim	Wear Indicator	Indicator Type	Piston Spring	Compression Spring	Rivet	Clips	Bolt	Plastic Plug	Kit
60685A	4	2	-	-	-	-	-	-	-	-

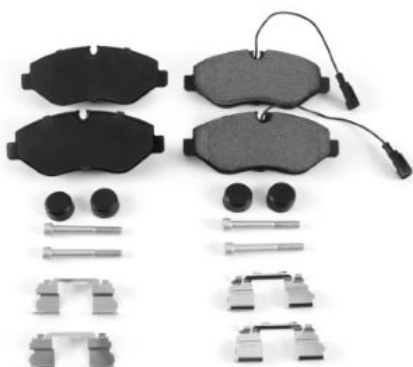
## INFINITI

MODEL	START D.	END Y.
QX56	2010/01	
QX56	2003/09	2010/12
QX80	2013/08	



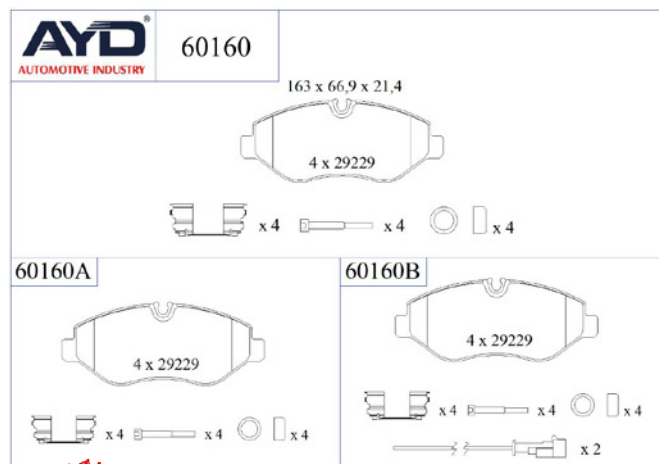
### BRAKE PAD

11-60160



• Front Axle

OE:  
42561355



WVA :29229

Safety  
Performance  
OEM Standarts  
AYD Quality

#### Technical Specifications:

Code	Shim	Wear Indicator	Indicator Type	Piston Spring	Compression Spring	Rivet	Clips	Bolt	Plastic Plug	Kit
60160A	4	-	-	-	-	-	4	4	4	-
60160B	4	2	-	-	-	-	4	4	4	-

## IVECO

MODEL	START D.	END Y.
DAILY IV Bus	2006/05	2016/12
DAILY IV Platform/Chassis	2006/05	2012/03
DAILY IV Van	2006/05	2012/03
DAILY V Platform/Chassis	2011/09	2014/02
DAILY V Van	2011/09	2014/02
DAILY VI Platform/Chassis	2014/03	
DAILY VI Van	2014/03	



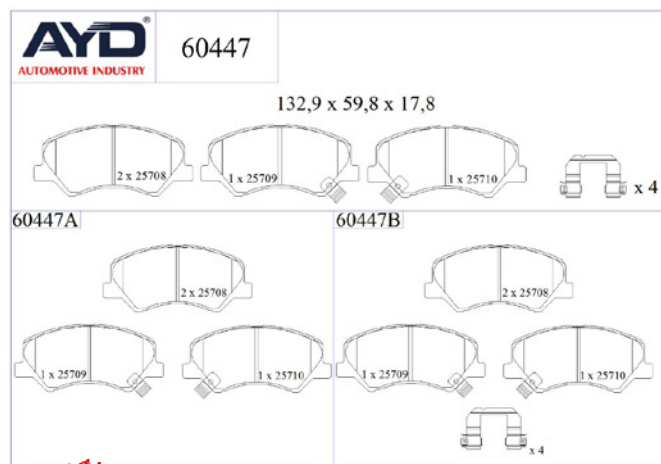
### BRAKE PAD

11-60447



• Front Axle

OE:  
581013XA10



• Safety  
• Performance  
• OEM Standarts  
• AYD Quality

WVA :25708-25709-25710

#### Technical Specifications:

Code	Shim	Wear Indicator	Indicator Type	Piston Spring	Compression Spring	Rivet	Clips	Bolt	Plastic Plug	Kit
60447A	4	2	-	-	-	-	-	-	-	-
60447B	4	2	-	-	-	-	4	-	-	-

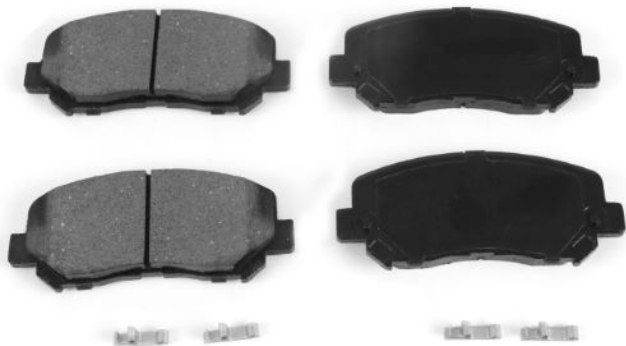
## KIA

MODEL	START D.	END Y.
CEE'D (JD)	2012/05	2018/07
CEE'D Combi Van (JD)	2012/07	2018/07
CEE'D Sportswagon (JD)	2012/09	2018/07
CEED (CD)	2018/03	
CEED Sportswagon (CD)	2018/03	
CERATO III Hatchback (YD)	2012/09	
CERATO III Saloon (YD)	2012/09	2019/09
CERATO KOUP II (TD)	2009/01	2014/02



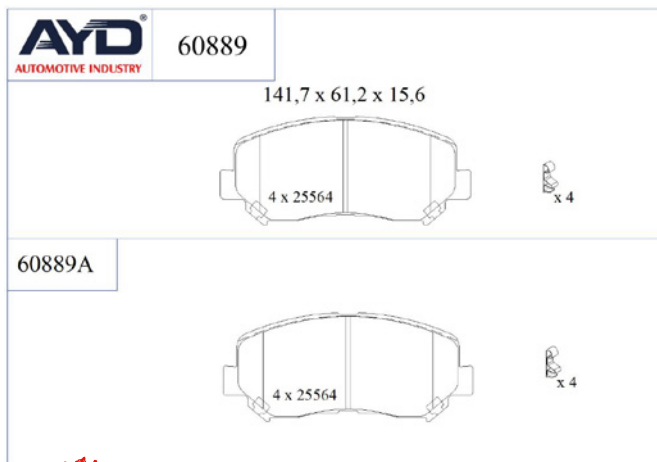
## BRAKE PAD

11-60889



• Front Axle

OE:  
K0Y13328ZA



• Safety  
• Performance  
• OEM Standarts  
• AYD Quality

WVA :25564

### Technical Specifications:

Code	Shim	Wear Indicator	Indicator Type	Piston Spring	Compression Spring	Rivet	Clips	Bolt	Plastic Plug	Kit
60889A	4	2	-	-	-	-	-	-	-	-

## MAZDA

MODEL	START D.	END Y.
CX-5 (KE. GH)	2011/11	2017/02
CX-5 (KF)	2016/11	
CX-5 Van (KE_)	2011/11	2017/02



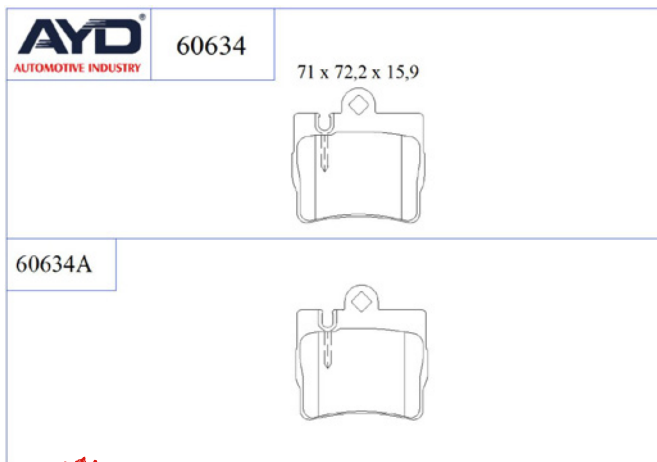
## BRAKE PAD

11-60634



• Rear Axle

OE:  
A0034200620



• Safety  
• Performance  
• OEM Standarts  
• AYD Quality

WVA :24323

### Technical Specifications:

Code	Shim	Wear Indicator	Indicator Type	Piston Spring	Compression Spring	Rivet	Clips	Bolt	Plastic Plug	Kit
60634A	4	-	-	-	-	-	-	-	-	-

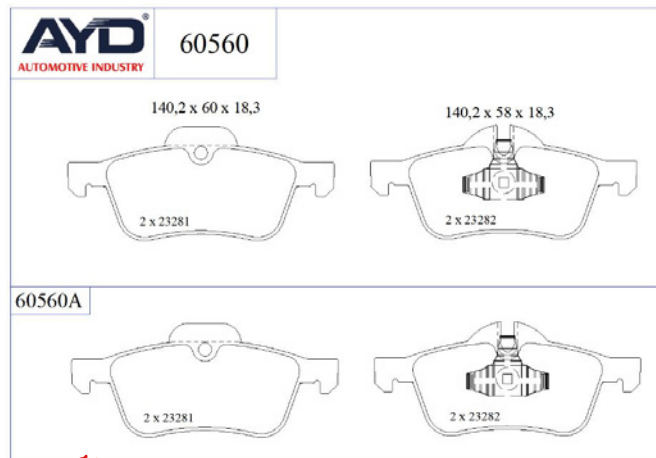
## MERCEDES-BENZ

MODEL	START D.	END Y.
S-CLASS (W220)	1998/09	2005/08
S-CLASS Coupe (C215)	1999/03	2006/12



### BRAKE PAD

11-60560



• Front Axle

OE:  
34116761287 / 34111503076 /  
34112167233

• Safety  
• Performance  
• OEM Standards  
• AYD Quality

WVA :23281-23282

#### Technical Specifications:

Code	Shim	Wear Indicator	Indicator Type	Piston Spring	Compression Spring	Rivet	Clips	Bolt	Plastic Plug	Kit
60560A	4	-	-	2	-	-	-	-	-	-

## MINI

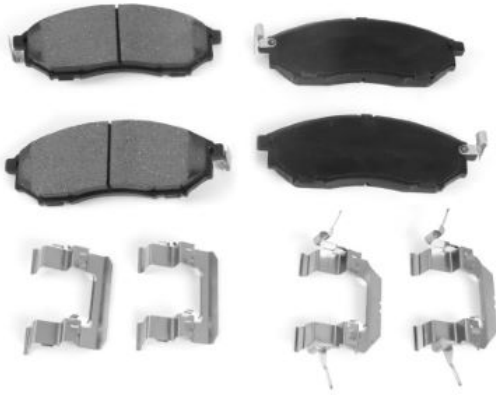
MODEL	START D.	END Y.
MINI (R50. R53)	2001/06	2006/09
MINI Convertible (R52)	2004/04	2008/07





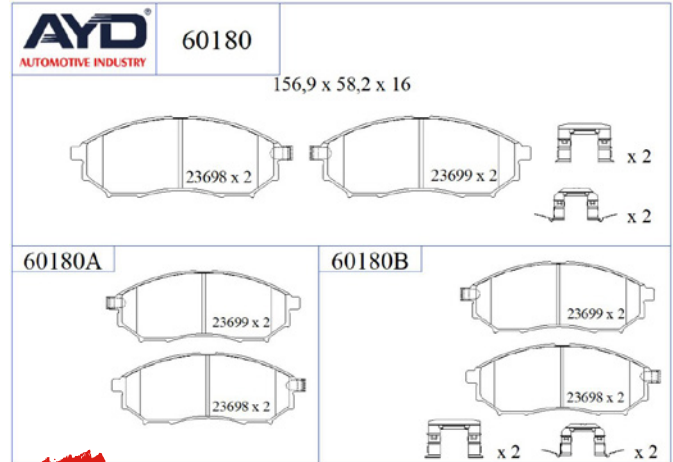
## BRAKE PAD

11-60180



• Front Axle

OE:  
410600V790



WVA :23698-23699

- Safety
- Performance
- OEM Standarts
- AYD Quality

### Technical Specifications:

Code	Shim	Wear Indicator	Indicator Type	Piston Spring	Compression Spring	Rivet	Clips	Bolt	Plastic Plug	Kit
60180A	4	2	-	-	-	-	-	-	-	-
60180B	4	4	-	-	-	-	5	-	-	-

## NISSAN

MODEL	START D.	END Y.
MURANO I (Z50)	2002/04	2009/12
MURANO II (Z51)	2007/10	2014/09
NAVARA NP300 (D40)	2004/10	
NAVARA NP300 Pickup (D23. D23T)	2014/07	
NAVARA NP300 Platform/Chassis (D40)	2008/07	
PATHFINDER III (R51)	2005/01	
QASHQAI / QASHQAI +2 I (J10. NJ10. JJ10E)	2006/11	2014/04
QASHQAI / QASHQAI +2 I VAN (J10. JJ10E)	2006/12	2014/04



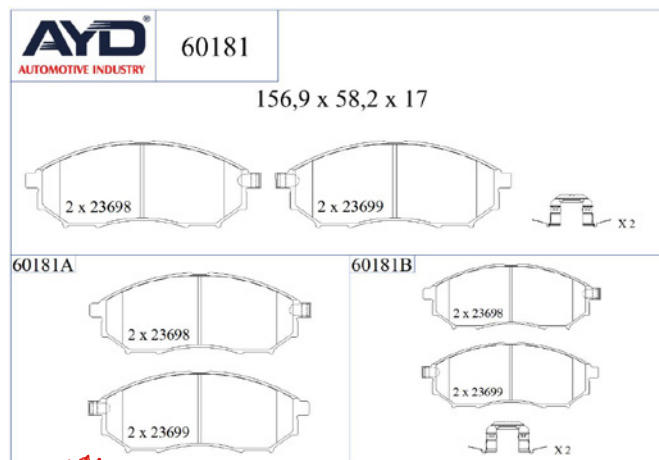
### BRAKE PAD

11-60181



• Front Axle

OE:  
AY040NS176



• Safety  
• Performance  
• OEM Standarts  
• AYD Quality

WVA :23698-23699

#### Technical Specifications:

Code	Shim	Wear Indicator	Indicator Type	Piston Spring	Compression Spring	Rivet	Clips	Bolt	Plastic Plug	Kit
60181A	4	2	-	-	-	-	-	-	-	-
60181B	4	4	-	-	-	-	2	-	-	-

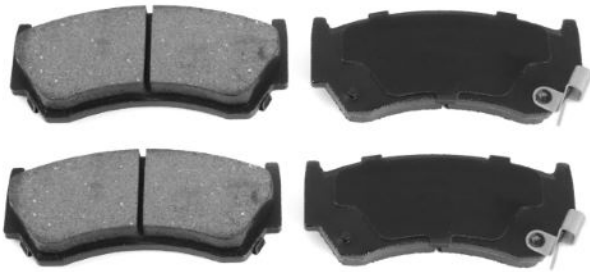
## NISSAN

MODEL	START D.	END Y.
MURANO I (Z50)	2002/04	2009/12
MURANO II (Z51)	2007/10	2014/09
NAVARA NP300 (D40)	2004/10	
NAVARA NP300 Pickup (D23. D23T)	2014/07	
NAVARA NP300 Platform/Chassis (D40)	2008/07	
PATHFINDER III (R51)	2005/01	
QASHQAI / QASHQAI +2 I (J10. NJ10. JJ10E)	2006/11	2014/04
QASHQAI / QASHQAI +2 I VAN (J10. JJ10E)	2006/12	2014/04



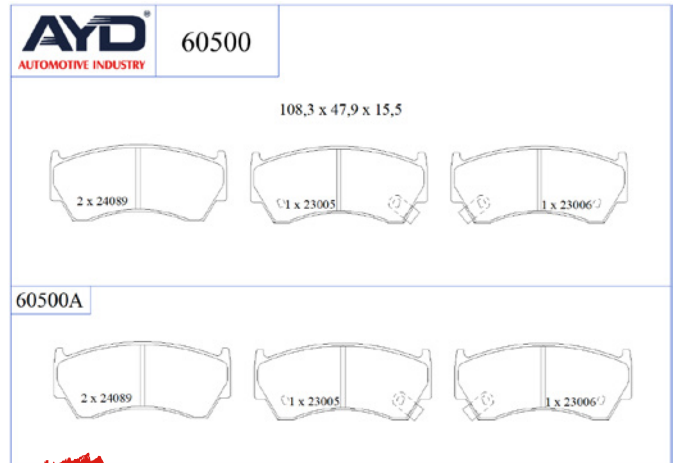
## BRAKE PAD

11-60500



• Front Axle

OE:  
410600M892



• Safety  
• Performance  
• OEM Standarts  
• AYD Quality

**WVA :24089-23005-23006**

### Technical Specifications:

Code	Shim	Wear Indicator	Indicator Type	Piston Spring	Compression Spring	Rivet	Clips	Bolt	Plastic Plug	Kit
60500A	4	2	-	-	-	-	-	-	-	-

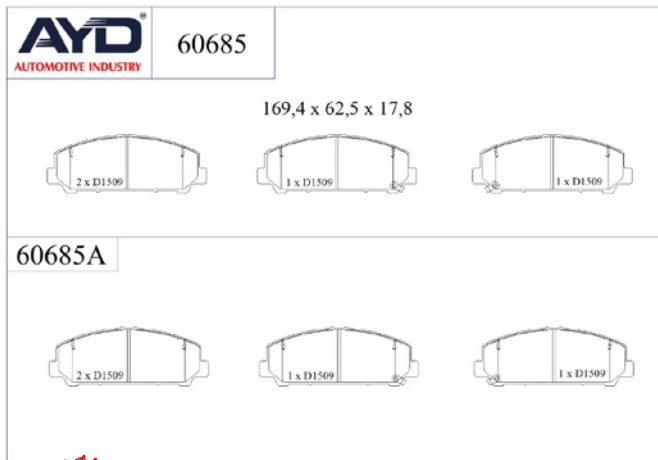
## NISSAN

MODEL	START D.	END Y.
ALMERA I (N15)	1995/07	2000/09
ALMERA I Hatchback (N15)	1995/07	2001/01
CUBE (Z10)	1998/03	2002/12
PRESEA (R11)	1990/03	2000/12
SUNNY IV Saloon (N16)	1995/07	2003/12
WINGROAD / AD Wagon (_Y10)	1990/10	1999/04



## BRAKE PAD

11-60685



• Front Axle

OE:  
D10609FE0A

· Safety  
· Performance  
· OEM Standarts  
· AYD Quality

WVA :22042-22043-22044

### Technical Specifications:

Code	Shim	Wear Indicator	Indicator Type	Piston Spring	Compression Spring	Rivet	Clips	Bolt	Plastic Plug	Kit
60685A	4	2	-	-	-	-	-	-	-	-

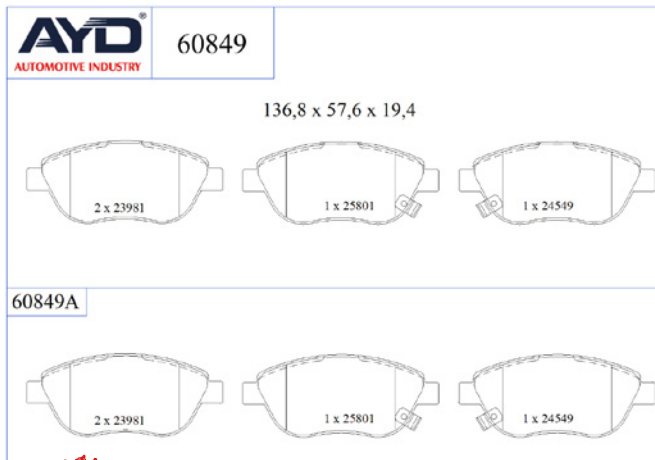
## NISSAN

MODEL	START D.	END Y.
ARMADA (TA60)	2003/08	2015/12
TITAN (H61)	2015/09	



## BRAKE PAD

11-60849



• Front Axle

OE:  
1605354

Safety  
Performance  
OEM Standards  
AYD Quality

**WVA :23981-23802-25549**

### Technical Specifications:

Code	Shim	Wear Indicator	Indicator Type	Piston Spring	Compression Spring	Rivet	Clips	Bolt	Plastic Plug	Kit
60849A	4	2	-	-	-	-	-	-	-	-

## OPEL

MODEL	START D.	END Y.
CORSA D (S07)	2006/07	2015/04
CORSA D Hatchback Van (S07)	2006/07	2014/08



## BRAKE PAD

11-60896



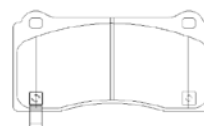
• Front Axle

OE:  
800824000A

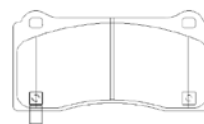
**AYD**  
AUTOMOTIVE INDUSTRY

60896

131,8 x 66,6 x 16,1



60896A



• Safety  
• Performance  
• OEM Standarts  
• AYD Quality

WVA :26275

### Technical Specifications:

Code	Shim	Wear Indicator	Indicator Type	Piston Spring	Compression Spring	Rivet	Clips	Bolt	Plastic Plug	Kit
60896A	4	4	-	-	-	-	-	-	-	-

## TESLA

MODEL	START D.	END Y.
MODEL 3 (5YJ3)	2017/01	
MODEL Y (5YJY)	2019/03	



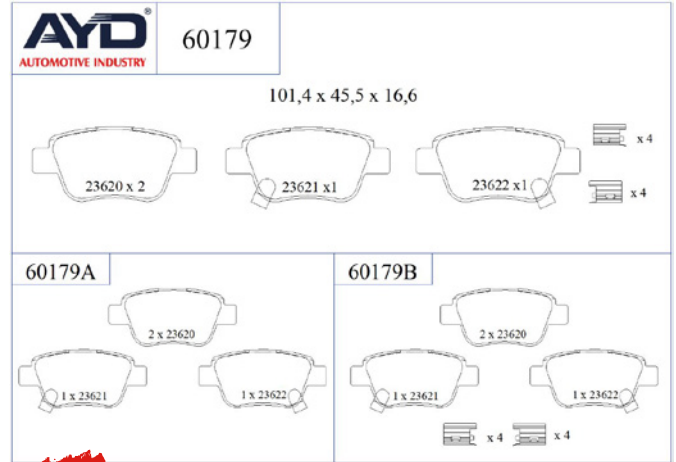
## BRAKE PAD

11-60179



• Rear Axle

OE:  
0446605010



• Safety  
• Performance  
• OEM Standarts  
• AYD Quality

**WVA :23620-23621-23622**

### Technical Specifications:

Code	Shim	Wear Indicator	Indicator Type	Piston Spring	Compression Spring	Rivet	Clips	Bolt	Plastic Plug	Kit
60179A	4	2	-	-	-	-	-	-	-	-
60179B	4	2	-	-	-	-	8	-	-	-

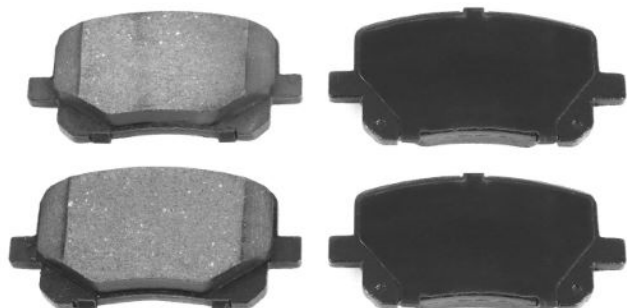
## TOYOTA

MODEL	START D.	END Y.
AVENSIS (_T25_)	2003/03	2008/11
AVENSIS Estate (_T25_)	2003/04	2008/11
AVENSIS Saloon (_T25_)	2003/01	2008/11
COROLLA Verso (ZER_ ZZE12_ R1_)	2004/03	2009/10
PREVIA III (_R2_ _R5_)	2005/10	





## BRAKE PAD

11-60513



• Front Axle

OE:  
0446528430

<b>AYD</b> AUTOMOTIVE INDUSTRY	60513	116,6 x 59,3 x 16,9
		
	60513A	
		

- Safety
- Performance
- OEM Standarts
- AYD Quality

**WVA :24522**

### Technical Specifications:

Code	Shim	Wear Indicator	Indicator Type	Piston Spring	Compression Spring	Rivet	Clips	Bolt	Plastic Plug	Kit
60513A	4	-	-	-	-	-	-	-	-	-

## TOYOTA

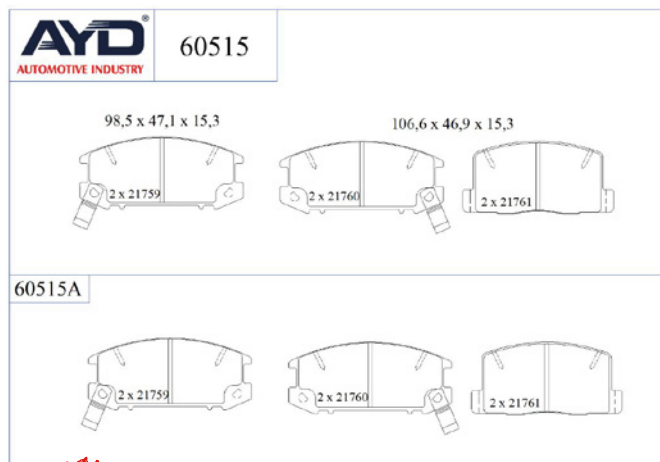
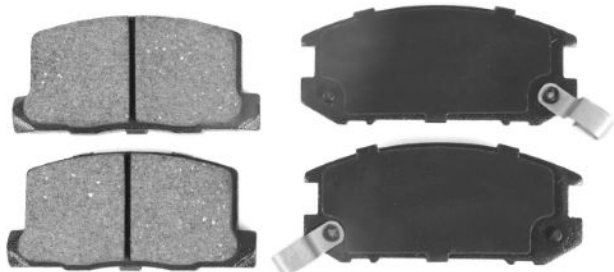
MODEL	START D.	END Y.
PREVIA II (_R3_)	2000/02	2006/02





### BRAKE PAD

11-60515



• Rear Axle

OE:  
0446617020 / 0446617010 /  
0446617030

• Safety  
• Performance  
• OEM Standards  
• AYD Quality

WVA :21761-23760-21759

#### Technical Specifications:

Code	Shim	Wear Indicator	Indicator Type	Piston Spring	Compression Spring	Rivet	Clips	Bolt	Plastic Plug	Kit
60515A	4	2	-	-	-	-	-	-	-	-

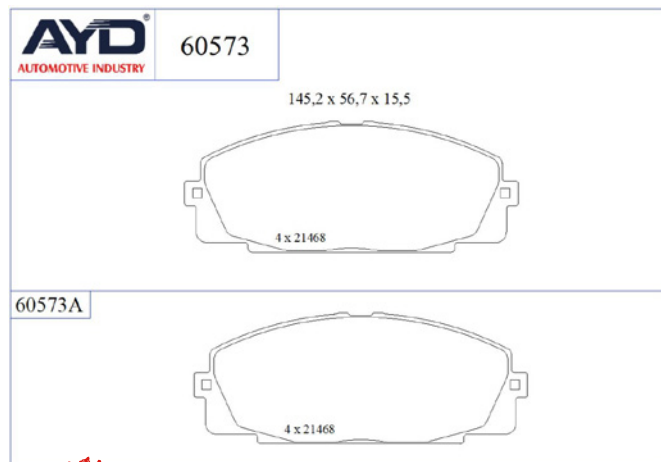
## TOYOTA

MODEL	START D.	END Y.
MR2 I (AW1_)	1984/06	1990/06
MR2 II (SW2_)	1989/12	2000/05
MR2 III (ZZW3_)	1999/10	2007/06



## BRAKE PAD

11-60573



• Front Axle

OE:  
0446525060

• Safety  
• Performance  
• OEM Standarts  
• AYD Quality

WVA :21468

### Technical Specifications:

Code	Shim	Wear Indicator	Indicator Type	Piston Spring	Compression Spring	Rivet	Clips	Bolt	Plastic Plug	Kit
60573A	-	-	-	-	-	-	-	-	-	-

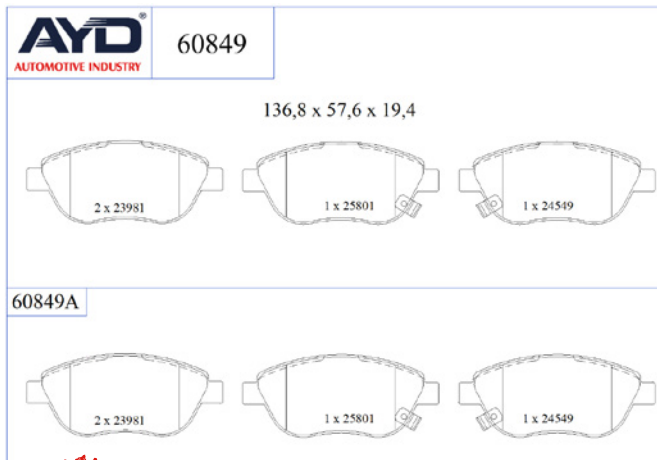
## TOYOTA

MODEL	START D.	END Y.
DYNA 100 Platform/Chassis (LY1_ YY1_)	1995/05	2001/07
DYNA Platform/Chassis (KD_ LY_ _Y2_ _U3_ _U4_ _U6_ _U8)	1999/05	
DYNA Platform/Chassis (LH8_)	1985/08	1995/05
GRANVIA (_H2_ _H1_)	1995/08	2004/12
HIACE III Bus (_H5_ _H6_ _H7_ _H8_ _H9_)	1982/11	2007/09
HIACE III Van (_H5_ _H6_ _H7_ _H8_ _H9_)	1982/12	2005/08
HIACE IV Bus (_H1_ _H2_)	1995/08	2012/12
HIACE IV Bus (_H1_)	1987/08	2004/12



### BRAKE PAD

11-60849



• Front Axle

OE:  
93169175

- Safety
- Performance
- OEM Standarts
- AYD Quality

WVA :23981-23802-25549

#### Technical Specifications:

Code	Shim	Wear Indicator	Indicator Type	Piston Spring	Compression Spring	Rivet	Clips	Bolt	Plastic Plug	Kit
60849A	4	2	-	-	-	-	-	-	-	-

## VAUXHALL

MODEL	START D.	END Y.
CORSA Mk III (D) (S07)	2006/07	2014/08
CORSAVAN Mk III (D) Hatchback Van (S07)	2006/07	

