



# BRAKE WITH THE DIFFERENCE

SAFETY

PERFORMANCE

OEM Standards

AYD QUALITY



OCTOBER 2024

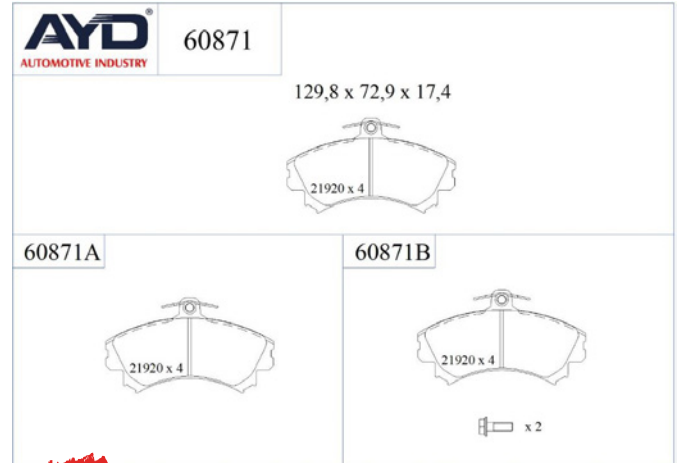
[www.aydtr.com](http://www.aydtr.com)

## INDEX

<b>BAIC</b> .....	<b>3</b>
<b>BMW</b> .....	<b>4</b>
<b>CHRYSLER</b> .....	<b>5-6</b>
<b>DODGE</b> .....	<b>7-8</b>
<b>FIAT</b> .....	<b>9-10</b>
<b>FORD</b> .....	<b>11-12</b>
<b>HYUNDAI</b> .....	<b>13-15</b>
<b>INFINITI</b> .....	<b>16-18</b>
<b>JEEP</b> .....	<b>19-20</b>
<b>KIA</b> .....	<b>21</b>
<b>LANCIA</b> .....	<b>22</b>
<b>LEXUS</b> .....	<b>23</b>
<b>MASARATI</b> .....	<b>24</b>
<b>MAZDA</b> .....	<b>25</b>
<b>MERCEDES BENZ</b> .....	<b>26-27</b>
<b>MERCURY</b> .....	<b>28</b>
<b>MITSUBISHI</b> .....	<b>29-31</b>
<b>NISSAN</b> .....	<b>32-36</b>
<b>PROTON</b> .....	<b>37</b>
<b>RAM</b> .....	<b>38</b>
<b>SMART</b> .....	<b>39</b>
<b>SSANGYONG</b> .....	<b>40</b>
<b>SUBARU</b> .....	<b>41</b>
<b>SUZUKI</b> .....	<b>42</b>
<b>TOYATA</b> .....	<b>43-44</b>
<b>VOLVO</b> .....	<b>45-47</b>
<b>VOLKSWAGEN</b> .....	<b>48</b>

### BRAKE PAD

11-60871



• Front Axle

OE:  
128410517

- Safety
- Performance
- OEM Standarts
- AYD Quality

WVA :21920

#### Technical Specifications:

Code	Shim	Wear Indicator	Indicator Type	Piston Spring	Compression Spring	Rivet	Clips	Bolt	Plastic Plug	Kit
60871A	-	-	-	-	4	4	-	-	-	-
60871B	-	-	-	-	4	4	-	2	-	-

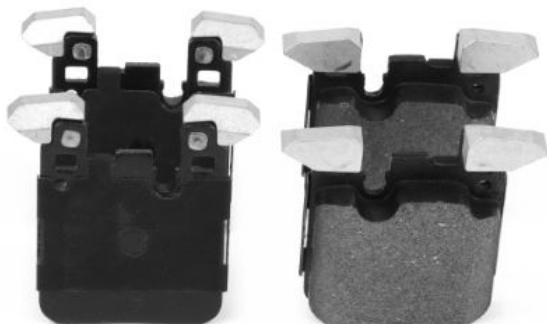
## BAIC

MODEL	START D.	END Y.
E SERIES Hatchback	2012/03	
E SERIES Saloon	2013/04	
SENOVA D20 Hatchback	2012/01	
SENOVA D20 Saloon	2012/01	
SENOVA X25	2015/11	



### BRAKE PAD

11-60853



• Rear Axle

OE:  
2284766

<b>AYD</b> AUTOMOTIVE INDUSTRY	60853	71,8 x 88,1 x 16,8
60853A		

- Safety
- Performance
- OEM Standarts
- AYD Quality

WVA :25029

#### Technical Specifications:

Code	Shim	Wear Indicator	Indicator Type	Piston Spring	Compression Spring	Rivet	Clips	Bolt	Plastic Plug	Kit
60853A	4	-	-	-	-	-	-	-	-	-

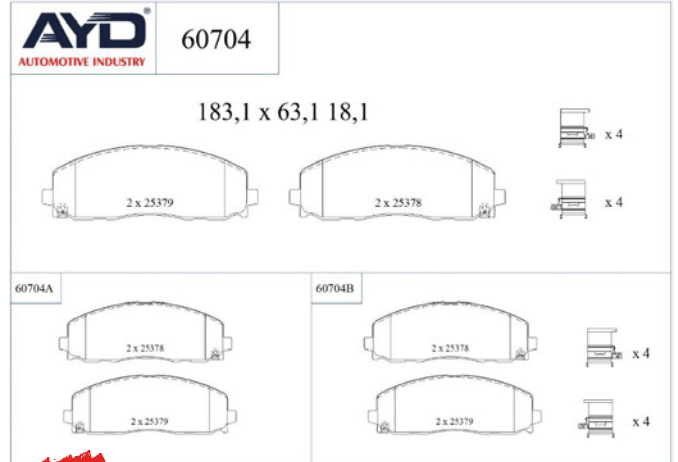
## BMW

MODEL	START D.	END Y.
2 Coupe (F22. F87)	2012/10	2021/06
3 (F30. F80)	2011/11	2018/10
4 Convertible (F33. F83)	2013/10	2020/08
4 Coupe (F32. F82)	2013/07	2020/06



### BRAKE PAD

11-60704



• Front Axle

OE:  
68159579AA

- Safety
- Performance
- OEM Standarts
- AYD Quality

WVA :25379-25378

#### Technical Specifications:

Code	Shim	Wear Indicator	Indicator Type	Piston Spring	Compression Spring	Rivet	Clips	Bolt	Plastic Plug	Kit
60704A	4	4	-	-	-	-	-	-	-	-
60704B	4	4	-	-	-	-	8	-	-	-

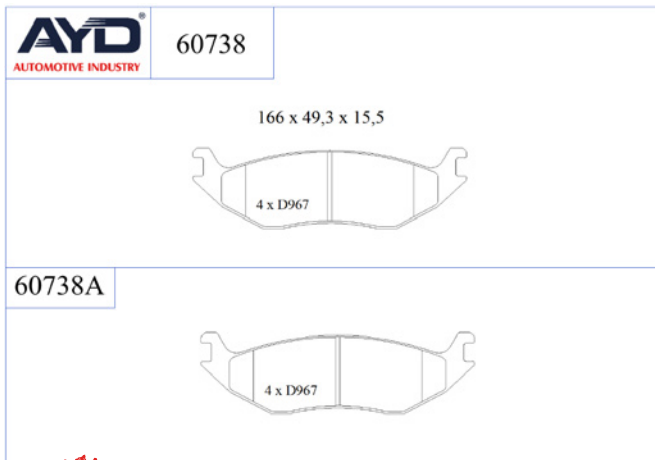
## CHRYSLER

MODEL	START D.	END Y.
GRAND VOYAGER V (RT)	2007/10	
PACIFICA (RU)	2016/02	



### BRAKE PAD

11-60738



• Rear Axle

OE:  
5080563AB

- Safety
- Performance
- OEM Standarts
- AYD Quality

WVA :

#### Technical Specifications:

Code	Shim	Wear Indicator	Indicator Type	Piston Spring	Compression Spring	Rivet	Clips	Bolt	Plastic Plug	Kit
60738A	4	-	-	-	-	-	-	-	-	-

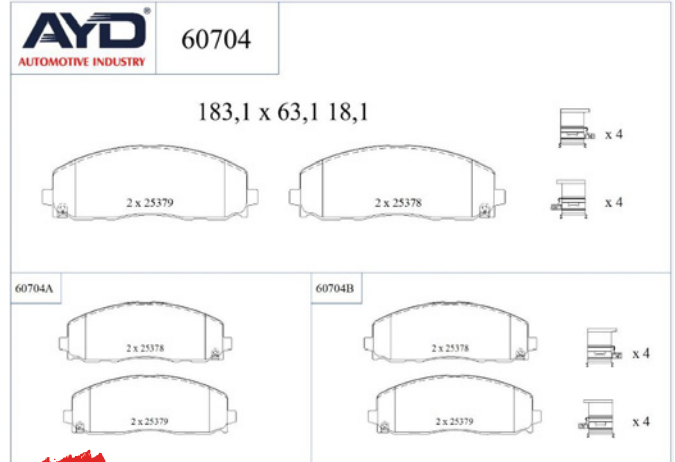
## CHRYSLER

MODEL	START D.	END Y.
ASPEN (HG)	2006/02	



### BRAKE PAD

11-60704



• Front Axle

OE:  
68260870AB

- Safety
- Performance
- OEM Standarts
- AYD Quality

WVA :25379-25378

#### Technical Specifications:

Code	Shim	Wear Indicator	Indicator Type	Piston Spring	Compression Spring	Rivet	Clips	Bolt	Plastic Plug	Kit
60704A	4	4	-	-	-	-	-	-	-	-
60704B	4	4	-	-	-	-	8	-	-	-

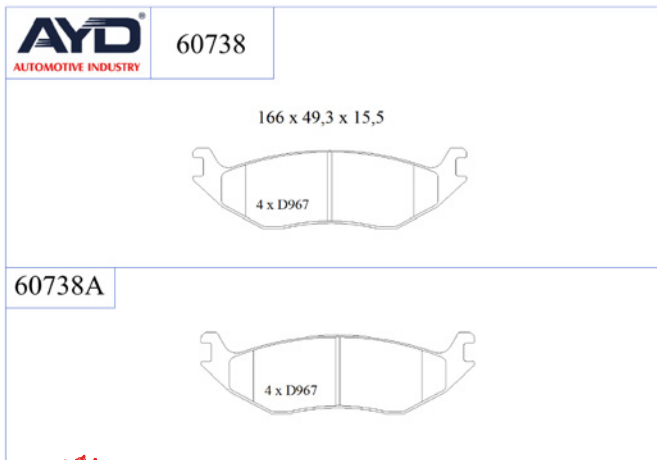
## DODGE

MODEL	START D.	END Y.
GRAND CARAVAN	2007/06	
JOURNEY	2008/06	
JOURNEY VAN (JC)	2008/06	



### BRAKE PAD

11-60738



• Rear Axle

OE:  
05093706AA

- Safety
- Performance
- OEM Standarts
- AYD Quality

WVA :

#### Technical Specifications:

Code	Shim	Wear Indicator	Indicator Type	Piston Spring	Compression Spring	Rivet	Clips	Bolt	Plastic Plug	Kit
60738A	4	-	-	-	-	-	-	-	-	-

## DODGE

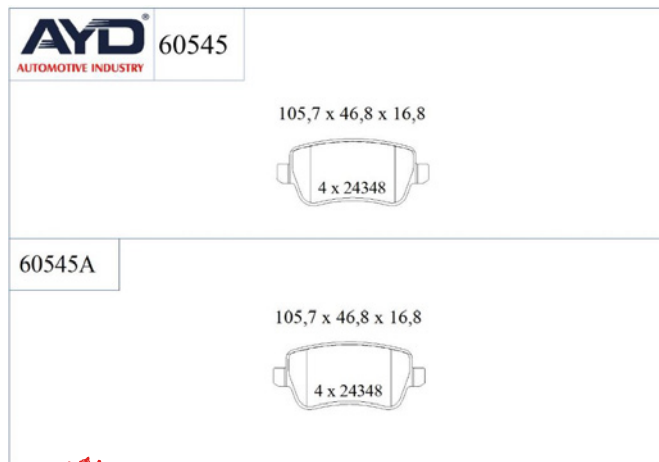
MODEL	START D.	END Y.
DURANGO (DN)	1997/09	2003/12
DURANGO (HB)	2003/09	2010/12
RAM 1500 Pickup (D1. DC. DH. DM. DR)	2001/06	2008/09





### BRAKE PAD

11-60545



• Rear Axle

OE:  
77363607 / 77364168

· Safety  
· Performance  
· OEM Standarts  
· AYD Quality

WVA :24348

#### Technical Specifications:

Code	Shim	Wear Indicator	Indicator Type	Piston Spring	Compression Spring	Rivet	Clips	Bolt	Plastic Plug	Kit
60545A	4	-	-	-	-	-	-	-	-	-
60545B	4	-	-	-	-	-	-	4	-	-
60545C	4	-	-	-	-	-	4	4	-	-

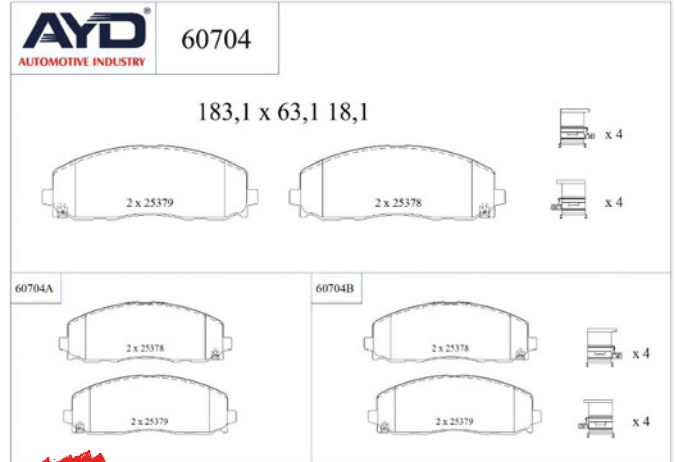
## FIAT

MODEL	START D.	END Y.
CROMA (194_)	2005/06	2011/12
CROMA Estate Van (194_)	2006/04	2011/12



### BRAKE PAD

11-60704



• Front Axle

OE:  
K68159579AA

- Safety
- Performance
- OEM Standarts
- AYD Quality

WVA :25379-25378

#### Technical Specifications:

Code	Shim	Wear Indicator	Indicator Type	Piston Spring	Compression Spring	Rivet	Clips	Bolt	Plastic Plug	Kit
60704A	4	4	-	-	-	-	-	-	-	-
60704B	4	4	-	-	-	-	8	-	-	-

## FIAT

MODEL	START D.	END Y.
FREEMONT (345_)	2011/08	



### BRAKE PAD

11-60833



• Rear Axle

OE:  
1809458

- Safety
- Performance
- OEM Standarts
- AYD Quality

WVA :25212-25213

#### Technical Specifications:

Code	Shim	Wear Indicator	Indicator Type	Piston Spring	Compression Spring	Rivet	Clips	Bolt	Plastic Plug	Kit
60833A	4	-	-	-	2	-	-	-	-	-

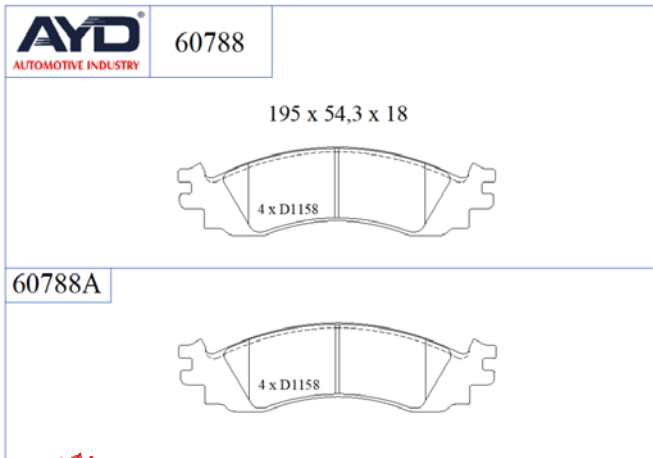
## FORD

MODEL	START D.	END Y.
C-MAX II (DXA/CB7. DXA/CEU)	2010/04	2019/06
C-MAX II Van	2010/10	2019/06
FOCUS III	2010/07	2020/02
FOCUS III Estate Van	2012/02	2020/02
FOCUS III Hatchback Van	2011/01	2020/02
FOCUS III Saloon	2010/07	2020/02
FOCUS III Turnier	2010/07	2020/02
GRAND C-MAX (DXA/CB7. DXA/CEU)	2010/12	2019/06



### BRAKE PAD

11-60788



• Front Axle

OE:  
6L2Z2001A

- Safety
- Performance
- OEM Standarts
- AYD Quality

WVA :

#### Technical Specifications:

Code	Shim	Wear Indicator	Indicator Type	Piston Spring	Compression Spring	Rivet	Clips	Bolt	Plastic Plug	Kit
60788A	4	-	-	-	-	-	-	-	-	-

## FORD USA

MODEL	START D.	END Y.
EXPLORER (U251)	2006/01	2010/12
EXPLORER SPORT TRAC Crew Cab Pickup	2006/09	2010/12



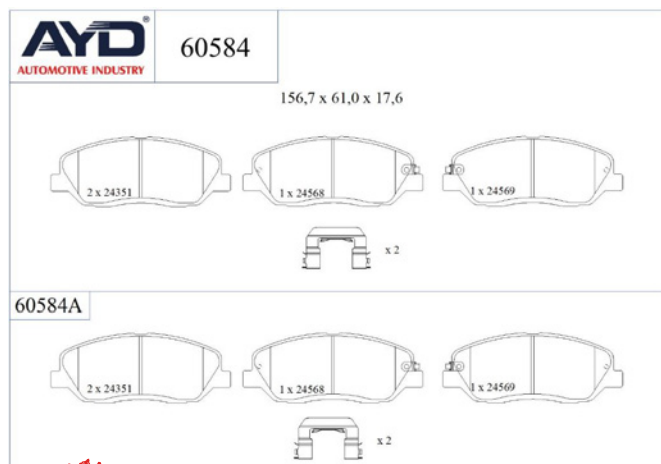
### BRAKE PAD

11-60584



• Front Axle

OE:  
4813036B00



• Safety  
• Performance  
• OEM Standarts  
• AYD Quality

WVA :24351-24568-24569

#### Technical Specifications:

Code	Shim	Wear Indicator	Indicator Type	Piston Spring	Compression Spring	Rivet	Clips	Bolt	Plastic Plug	Kit
60584A	4	2	-	-	-	-	4	-	-	-

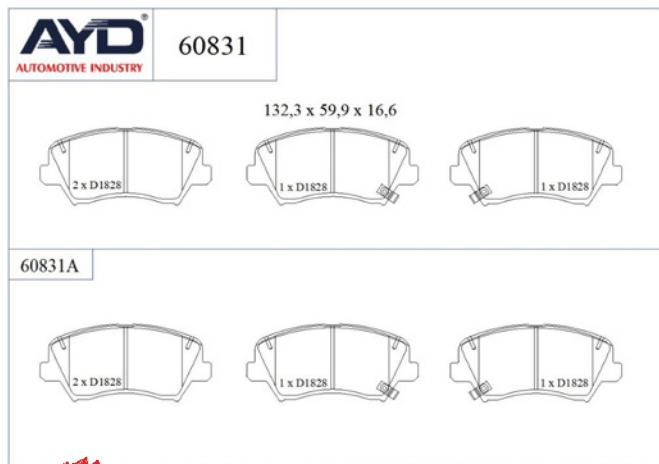
## HYUNDAI

MODEL	START D.	END Y.
GENESIS (BH)	2008/01	2015/12
GRAND SANTA FÉ	2013/01	2019/12
SANTA FÉ II (CM)	2005/01	2015/03
SANTA FÉ II SUV Van (CM)	2005/10	2015/03
SANTA FÉ III (DM. DMA)	2012/09	2018/12
SANTA FÉ III SUV Van (DM)	2012/09	
SANTA FE IV (TM. TMA)	2018/02	



### BRAKE PAD

11-60831



• Front Axle

OE:  
58101A7A01

- Safety
- Performance
- OEM Standarts
- AYD Quality

WVA :

#### Technical Specifications:

Code	Shim	Wear Indicator	Indicator Type	Piston Spring	Compression Spring	Rivet	Clips	Bolt	Plastic Plug	Kit
60831A	4	2	-	-	-	-	-	-	-	-

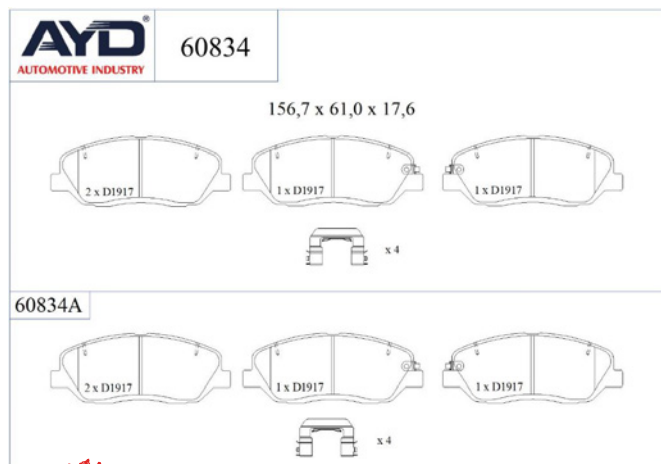
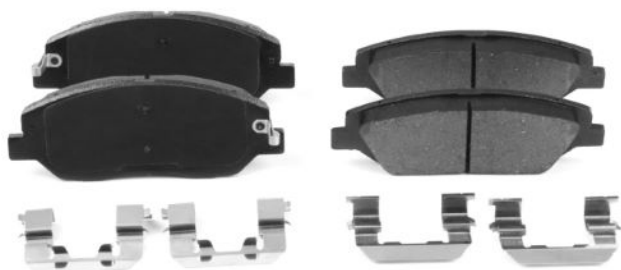
## HYUNDAI

MODEL	START D.	END Y.
i30 (PDE. PD. PDEN)	2016/11	
i30 Coupe	2013/05	
i30 Estate (PDE)	2017/03	
i30 FASTBACK (PDE. PDEN)	2017/06	
i30 Hatchback Van (PDE)	2016/11	
i30 Kombi Van (PDE)	2017/03	



### BRAKE PAD

11-60834



• Front Axle

OE:  
581012WA40

Safety  
Performance  
OEM Standarts  
AYD Quality

WVA :

#### Technical Specifications:

Code	Shim	Wear Indicator	Indicator Type	Piston Spring	Compression Spring	Rivet	Clips	Bolt	Plastic Plug	Kit
60834A	4	2	-	-	-	-	4	-	-	-

## HYUNDAI

MODEL	START D.	END Y.
GENESIS (BH)	2008/01	2015/12
GRAND SANTA FÉ	2013/01	2019/12
SANTA FÉ II (CM)	2005/01	2015/03
SANTA FÉ II SUV Van (CM)	2005/10	2015/03
SANTA FÉ III (DM. DMA)	2012/09	2018/12
SANTA FÉ III SUV Van (DM)	2012/09	
SANTA FE IV (TM. TMA)	2018/02	



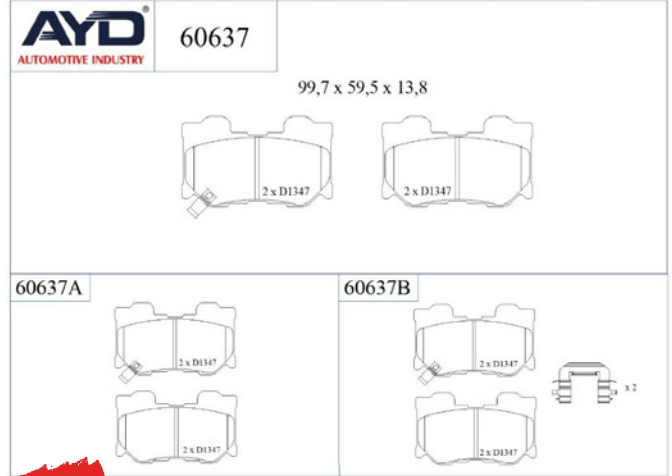
### BRAKE PAD

11-60637



• Rear Axle

OE:  
D4060JL00J



- Safety
- Performance
- OEM Standarts
- AYD Quality

WVA :

#### Technical Specifications:

Code	Shim	Wear Indicator	Indicator Type	Piston Spring	Compression Spring	Rivet	Clips	Bolt	Plastic Plug	Kit
60637A	4	2	-	-	-	-	-	-	-	-
60637B	4	2	-	-	-	-	4	-	-	-

## INFINITI

MODEL	START D.	END Y.
FX	2008/07	
G Convertible	2010/09	
G Coupe	2007/09	
G Saloon	2007/01	
M (Y51)	2010/03	
M37	2010/01	
Q50	2013/04	
Q60 Coupe	2016/09	





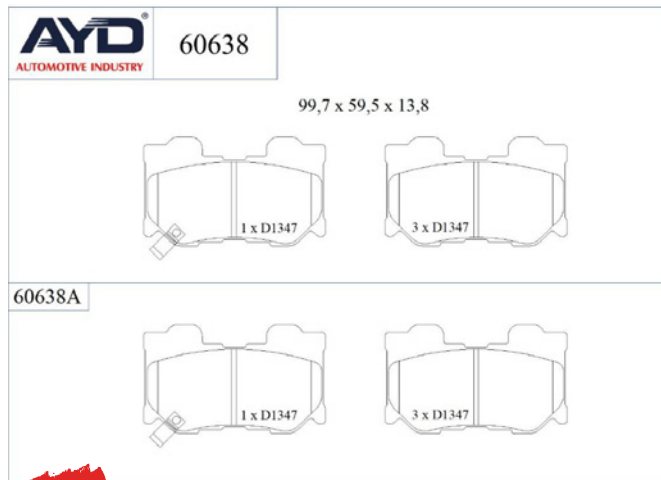
### BRAKE PAD

11-60638



• Rear Axle

OE:  
D40604GH0A



• Safety  
• Performance  
• OEM Standarts  
• AYD Quality

WVA :

#### Technical Specifications:

Code	Shim	Wear Indicator	Indicator Type	Piston Spring	Compression Spring	Rivet	Clips	Bolt	Plastic Plug	Kit
60638A	4	1	-	-	-	-	-	-	-	-

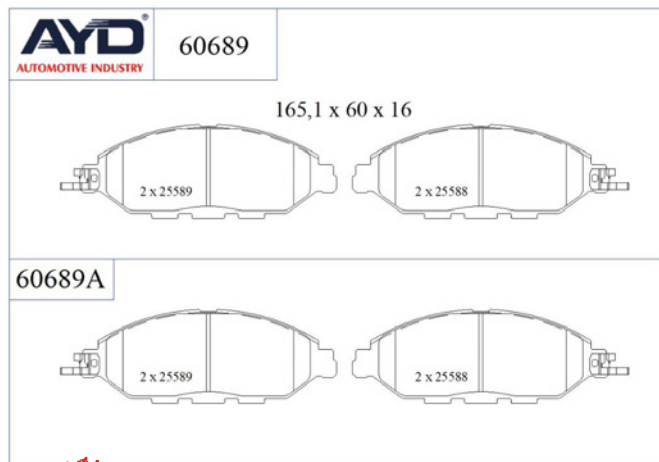
## INFINITI

MODEL	START D.	END Y.
FX	2008/07	
G Convertible	2010/09	
G Coupe	2007/09	
G Saloon	2007/01	
M (Y51)	2010/03	
M37	2010/01	
Q50	2013/04	
Q60 Coupe	2016/09	



### BRAKE PAD

11-60689



• Front Axle

OE:  
D10603JA0B

- Safety
- Performance
- OEM Standarts
- AYD Quality

WVA :25589-25588

#### Technical Specifications:

Code	Shim	Wear Indicator	Indicator Type	Piston Spring	Compression Spring	Rivet	Clips	Bolt	Plastic Plug	Kit
60689A	4	-	-	-	4	-	-	-	-	-

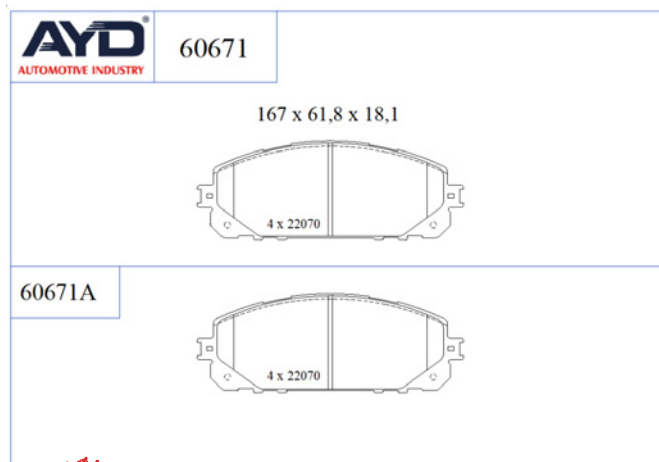
## INFINITI

MODEL	START D.	END Y.
JX SUV (L50)	2012/09	
QX60	2012/04	



### BRAKE PAD

11-60671



• Front Axle

OE:  
68212327AB

- Safety
- Performance
- OEM Standards
- AYD Quality

WVA :22070

#### Technical Specifications:

Code	Shim	Wear Indicator	Indicator Type	Piston Spring	Compression Spring	Rivet	Clips	Bolt	Plastic Plug	Kit
60671A	4	-	-	-	-	-	-	-	-	-

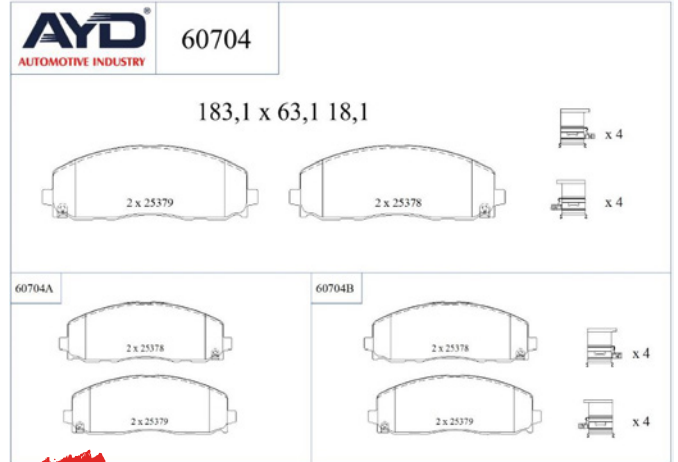
## JEEP

MODEL	START D.	END Y.
CHEROKEE (KL)	2013/06	
CHEROKEE VAN (KL)	2013/06	



### BRAKE PAD

11-60704



• Front Axle

OE:  
68383243AA

- Safety
- Performance
- OEM Standarts
- AYD Quality

WVA :25379-25378

#### Technical Specifications:

Code	Shim	Wear Indicator	Indicator Type	Piston Spring	Compression Spring	Rivet	Clips	Bolt	Plastic Plug	Kit
60704A	4	4	-	-	-	-	-	-	-	-
60704B	4	4	-	-	-	-	8	-	-	-

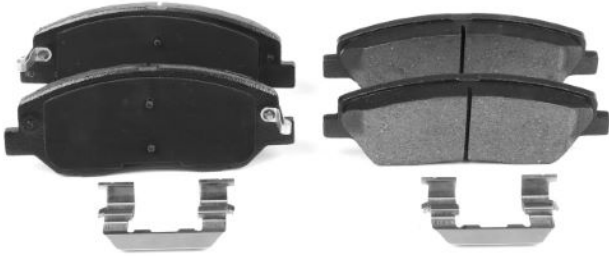
## JEEP

MODEL	START D.	END Y.
WRANGLER IV (JL)	2017/11	



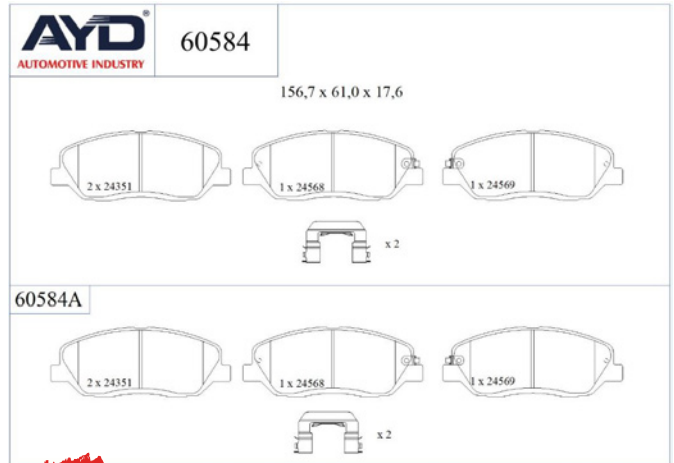
### BRAKE PAD

11-60584



• Front Axle

OE:  
4813036B00



- Safety
- Performance
- OEM Standarts
- AYD Quality

WVA :24351-24568-24569

#### Technical Specifications:

Code	Shim	Wear Indicator	Indicator Type	Piston Spring	Compression Spring	Rivet	Clips	Bolt	Plastic Plug	Kit
60584A	4	2	-	-	-	-	4	-	-	-

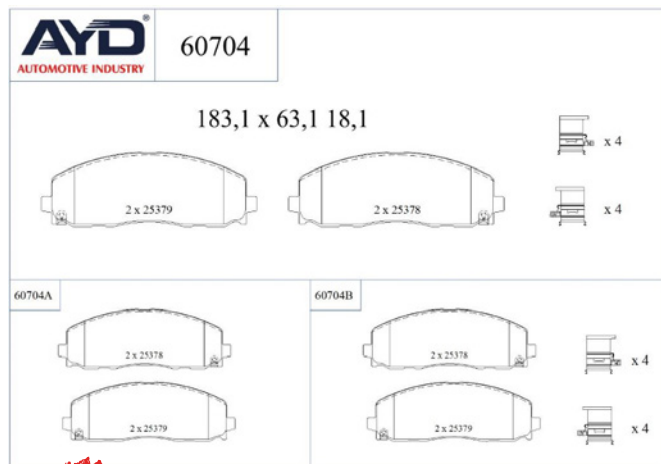
## KIA

MODEL	START D.	END Y.
BORREGO (HM)	2007/11	
SORENTO II (XM)	2009/09	2016/04
SORENTO II SUV Van (XM)	2009/06	2015/12



### BRAKE PAD

11-60704



• Front Axle

OE:  
K68260870AC

- Safety
- Performance
- OEM Standarts
- AYD Quality

WVA :25379-25378

#### Technical Specifications:

Code	Shim	Wear Indicator	Indicator Type	Piston Spring	Compression Spring	Rivet	Clips	Bolt	Plastic Plug	Kit
60704A	4	4	-	-	-	-	-	-	-	-
60704B	4	4	-	-	-	-	8	-	-	-

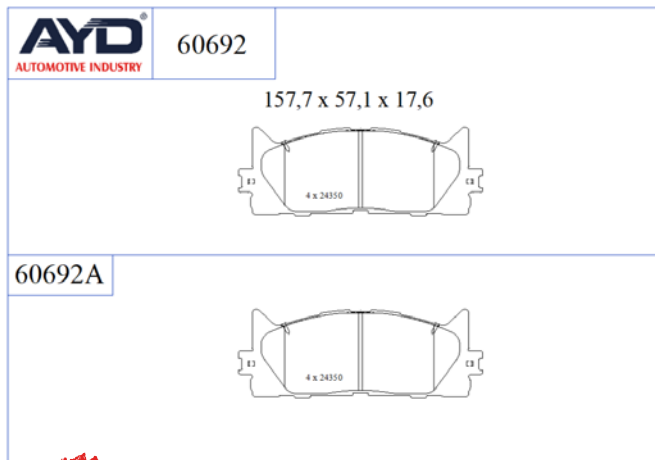
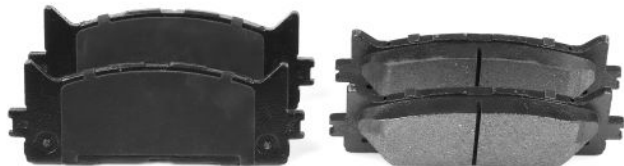
## LANCIA

MODEL	START D.	END Y.
VOYAGER MPV (404_)	2011/09	2014/12



### BRAKE PAD

11-60692



• Front Axle

OE:  
0446506070

- Safety
- Performance
- OEM Standarts
- AYD Quality

WVA :24350

#### Technical Specifications:

Code	Shim	Wear Indicator	Indicator Type	Piston Spring	Compression Spring	Rivet	Clips	Bolt	Plastic Plug	Kit
60692A	4	-	-	-	-	-	-	-	-	-

## LEXUS

MODEL	START D.	END Y.
ES (_V4_)	2006/03	2012/12
ES (_V6_)	2012/06	2018/06



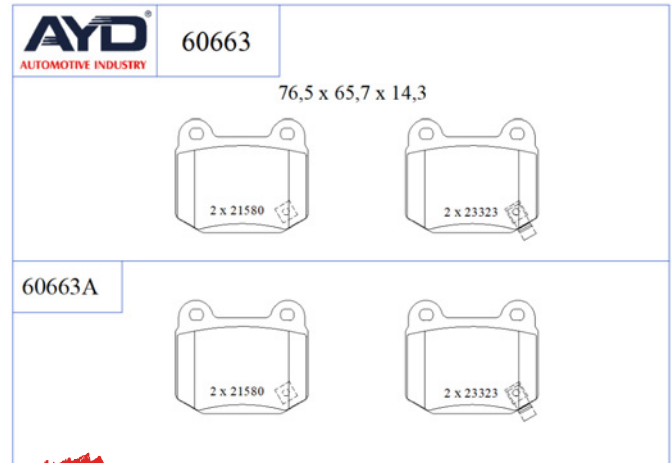
### BRAKE PAD

11-60663



• Rear Axle

OE:  
980139069



- Safety
- Performance
- OEM Standarts
- AYD Quality

**WVA :21580-23323**

#### Technical Specifications:

Code	Shim	Wear Indicator	Indicator Type	Piston Spring	Compression Spring	Rivet	Clips	Bolt	Plastic Plug	Kit
60663A	4	2	-	-	-	-	-	-	-	-

## MASERATI

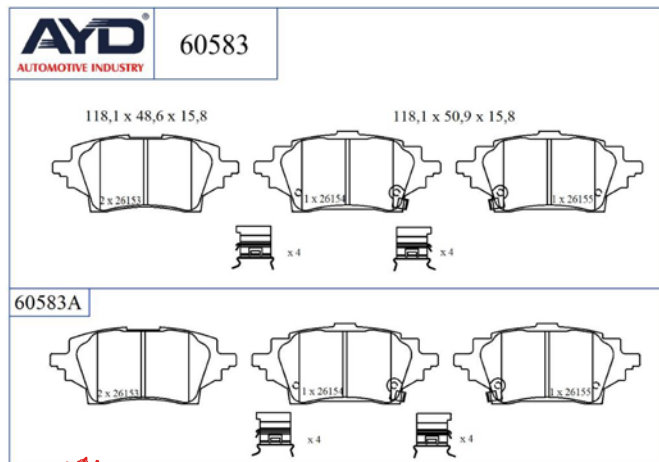
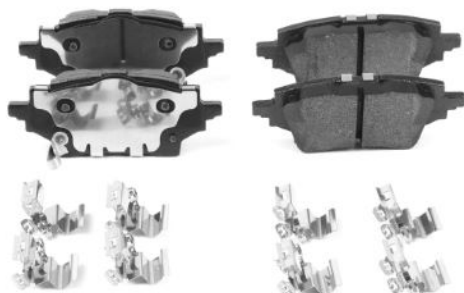
MODEL	START D.	END Y.
QUATTROPORTE V	2004/03	





### BRAKE PAD

11-60583



• Rear Axle

OE:

- Safety
- Performance
- OEM Standarts
- AYD Quality

WVA :26153-26154-26155

#### Technical Specifications:

Code	Shim	Wear Indicator	Indicator Type	Piston Spring	Compression Spring	Rivet	Clips	Bolt	Plastic Plug	Kit
60583A	4	2	-	-	-	-	8	-	-	-

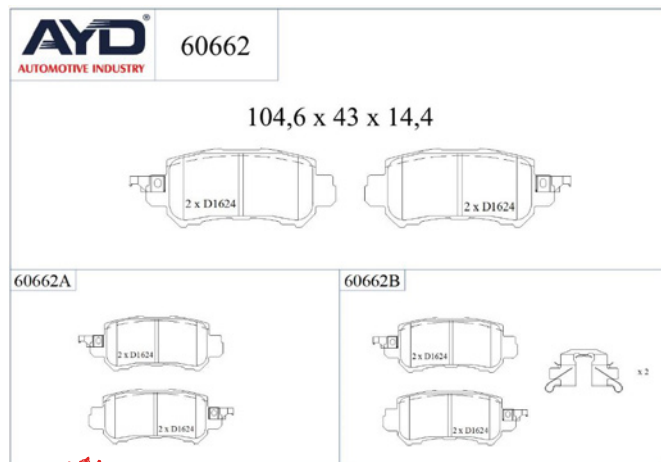
## MAZDA

MODEL	START D.	END Y.
2 Saloon (DL)	2015/01	
CX-3 (DK)	2015/01	
CX-5 (KE. GH)	2011/11	2017/02



### BRAKE PAD

11-60662



• Rear Axle

OE:  
DAY32648ZA

· Safety  
· Performance  
· OEM Standarts  
· AYD Quality

WVA :25540-25541

#### Technical Specifications:

Code	Shim	Wear Indicator	Indicator Type	Piston Spring	Compression Spring	Rivet	Clips	Bolt	Plastic Plug	Kit
60662A	4	-	-	-	4	-	-	-	-	-
60662B	4	-	-	-	4	-	4	-	-	-

## MAZDA

MODEL	START D.	END Y.
2 Saloon (DL)	2015/01	
CX-3 (DK)	2015/01	
CX-5 (KE. GH)	2011/11	2017/02



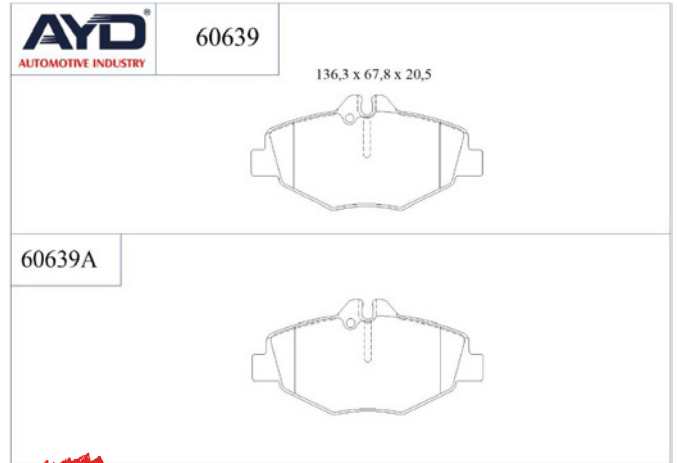
### BRAKE PAD

11-60639



• Front Axle

OE:  
A0034209920



- Safety
- Performance
- OEM Standarts
- AYD Quality

WVA :23743-23744

#### Technical Specifications:

Code	Shim	Wear Indicator	Indicator Type	Piston Spring	Compression Spring	Rivet	Clips	Bolt	Plastic Plug	Kit
60639A	4	2	-	-	-	-	-	-	-	-

## MERCEDES-BENZ

MODEL	START D.	END Y.
E-CLASS (W211)	2002/03	2009/03
E-CLASS Platform/Chassis (VF211)	2003/03	2009/07
E-CLASS T-Model (S211)	2003/02	2009/07



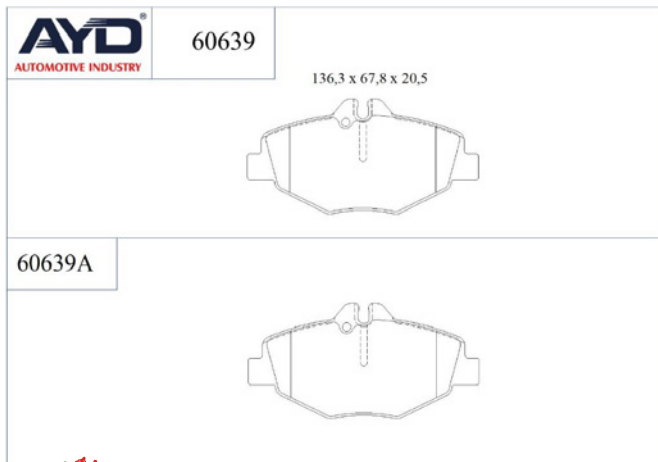
### BRAKE PAD

11-60639



• Front Axle

OE:  
0034206520



- Safety
- Performance
- OEM Standarts
- AYD Quality

WVA :23743-23744

#### Technical Specifications:

Code	Shim	Wear Indicator	Indicator Type	Piston Spring	Compression Spring	Rivet	Clips	Bolt	Plastic Plug	Kit
60639A	4	2	-	-	-	-	-	-	-	-

### MERCEDES-BENZ (BBDC)

MODEL	START D.	END Y.
E-CLASS (W211)	2005/11	



### BRAKE PAD

11-60788



<b>AYD</b> AUTOMOTIVE INDUSTRY	60788
195 x 54,3 x 18	
60788A	

• Front Axle

OE:  
6L2Z2001A

- Safety
- Performance
- OEM Standarts
- AYD Quality

WVA :

#### Technical Specifications:

Code	Shim	Wear Indicator	Indicator Type	Piston Spring	Compression Spring	Rivet	Clips	Bolt	Plastic Plug	Kit
60788A	4	-	-	-	-	-	-	-	-	-

## MERCURY

MODEL	START D.	END Y.
MOUNTAINEER	2005/09	2010/12



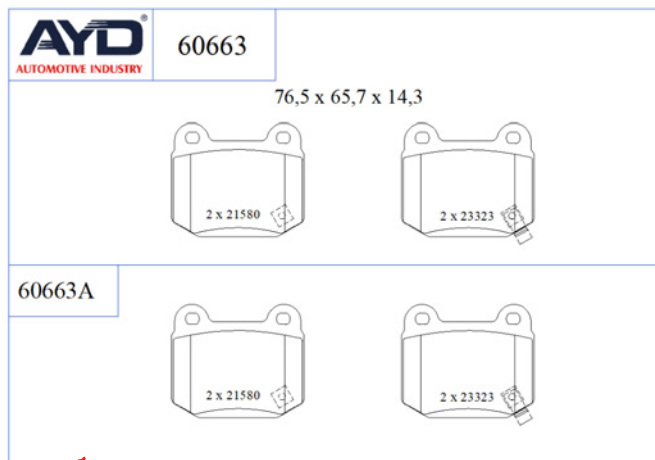
### BRAKE PAD

11-60663



• Rear Axle

OE:  
4605C034



- Safety
- Performance
- OEM Standarts
- AYD Quality

**WVA :21580-23323**

#### Technical Specifications:

Code	Shim	Wear Indicator	Indicator Type	Piston Spring	Compression Spring	Rivet	Clips	Bolt	Plastic Plug	Kit
60663A	4	2	-	-	-	-	-	-	-	-

## MITSUBISHI

MODEL	START D.	END Y.
LANCER VI (CJ_. CP_)	1995/09	2003/12
LANCER VII (CS_A. CT_A)	2000/01	2013/12



### BRAKE PAD

11-60870



• Front Axle

OE:  
MR235557 / MR249241 / MR389520

- Safety
- Performance
- OEM Standarts
- AYD Quality

WVA :21920

#### Technical Specifications:

Code	Shim	Wear Indicator	Indicator Type	Piston Spring	Compression Spring	Rivet	Clips	Bolt	Plastic Plug	Kit
60870A	-	-	-	-	4	4	-	-	-	-

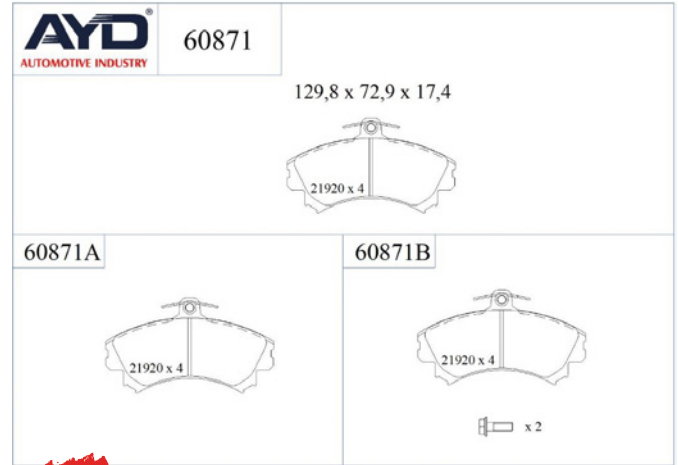
## mitsubishi

MODEL	START D.	END Y.
CARISMA (DA_)	1995/05	2006/06
CARISMA Saloon (DA_)	1996/09	2006/06
SPACE STAR MPV (DG_A)	1998/06	2004/12



### BRAKE PAD

11-60871



• Front Axle

OE:  
MR977117 / MFR97717 / 4605A734

- Safety
- Performance
- OEM Standarts
- AYD Quality

WVA :21920

#### Technical Specifications:

Code	Shim	Wear Indicator	Indicator Type	Piston Spring	Compression Spring	Rivet	Clips	Bolt	Plastic Plug	Kit
60871A	-	-	-	-	4	4	-	-	-	-
60871B	-	-	-	-	4	4	-	2	-	-

## MITSUBISHI

MODEL	START D.	END Y.
COLT CZC VI Convertible (RG)	2006/05	2009/07
COLT Hatchback Van (Z3_V)	2004/08	2012/06
COLT VI (Z3_A. Z2_A)	2002/10	2012/12





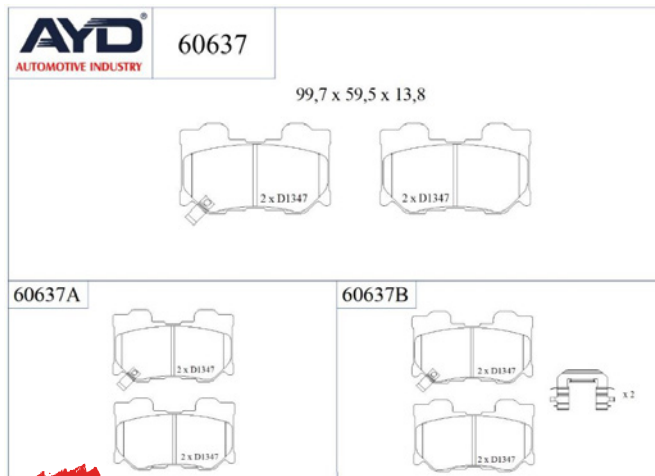
### BRAKE PAD

11-60637



• Rear Axle

OE:  
AY060NS046



- Safety
- Performance
- OEM Standarts
- AYD Quality

WVA :

#### Technical Specifications:

Code	Shim	Wear Indicator	Indicator Type	Piston Spring	Compression Spring	Rivet	Clips	Bolt	Plastic Plug	Kit
60637A	4	2	-	-	-	-	-	-	-	-
60637B	4	2	-	-	-	-	4	-	-	-

## NISSAN

MODEL	START D.	END Y.
370Z Coupe (Z34)	2009/01	



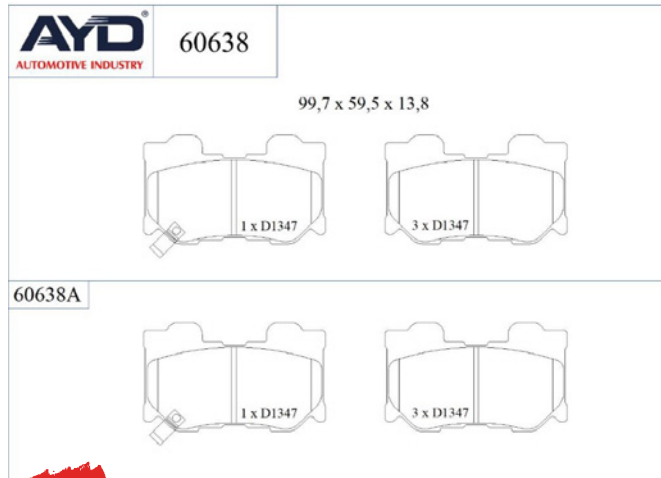
### BRAKE PAD

11-60638



• Rear Axle

OE:  
D4060JL00E



• Safety  
• Performance  
• OEM Standarts  
• AYD Quality

WVA :

#### Technical Specifications:

Code	Shim	Wear Indicator	Indicator Type	Piston Spring	Compression Spring	Rivet	Clips	Bolt	Plastic Plug	Kit
60638A	4	1	-	-	-	-	-	-	-	-

## NISSAN

MODEL	START D.	END Y.
370Z Coupe (Z34)	2009/01	
370Z Roadster (Z34)	2009/01	
SKYLINE Coupe (V36)	2007/10	2015/03



### BRAKE PAD

11-60663



• Rear Axle

OE:  
DD06MCD02KNW



- Safety
- Performance
- OEM Standarts
- AYD Quality

**WVA :21580-23323**

#### Technical Specifications:

Code	Shim	Wear Indicator	Indicator Type	Piston Spring	Compression Spring	Rivet	Clips	Bolt	Plastic Plug	Kit
60663A	4	2	-	-	-	-	-	-	-	-

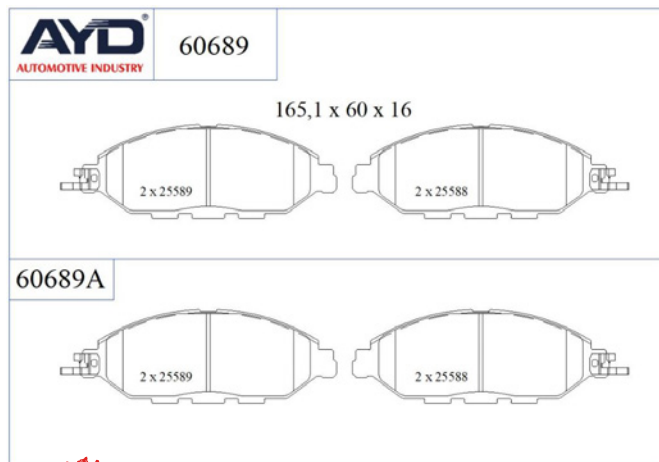
## NISSAN

MODEL	START D.	END Y.
350Z Coupe (Z33)	2002/09	2009/12
350Z Roadster (Z33)	2002/09	2009/12
SKYLINE Coupe (R33)	1993/07	2000/07



### BRAKE PAD

11-60689



• Front Axle

OE:  
D10603JA0A

- Safety
- Performance
- OEM Standarts
- AYD Quality

WVA :25589-25588

#### Technical Specifications:

Code	Shim	Wear Indicator	Indicator Type	Piston Spring	Compression Spring	Rivet	Clips	Bolt	Plastic Plug	Kit
60689A	4	-	-	-	4	-	-	-	-	-

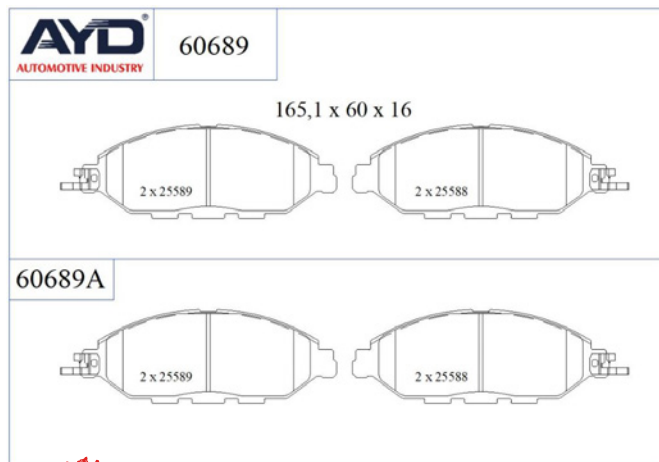
## NISSAN

MODEL	START D.	END Y.
MURANO III (Z52_)	2014/10	
PATHFINDER IV (R52)	2012/09	



### BRAKE PAD

11-60689



• Front Axle

OE:  
D10605BC0A

- Safety
- Performance
- OEM Standarts
- AYD Quality

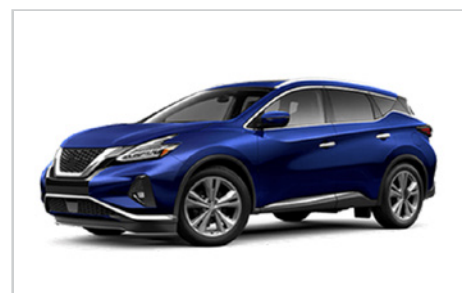
WVA :25589-25588

#### Technical Specifications:

Code	Shim	Wear Indicator	Indicator Type	Piston Spring	Compression Spring	Rivet	Clips	Bolt	Plastic Plug	Kit
60689A	4	-	-	-	4	-	-	-	-	-

## NISSAN (DFAC)

MODEL	START D.	END Y.
MURANO III (Z52)	2015/08	



### BRAKE PAD

11-60870



• Front Axle

OE:  
PW890078

- Safety
- Performance
- OEM Standards
- AYD Quality

WVA :21920

#### Technical Specifications:

Code	Shim	Wear Indicator	Indicator Type	Piston Spring	Compression Spring	Rivet	Clips	Bolt	Plastic Plug	Kit
60870A	-	-	-	-	4	4	-	-	-	-

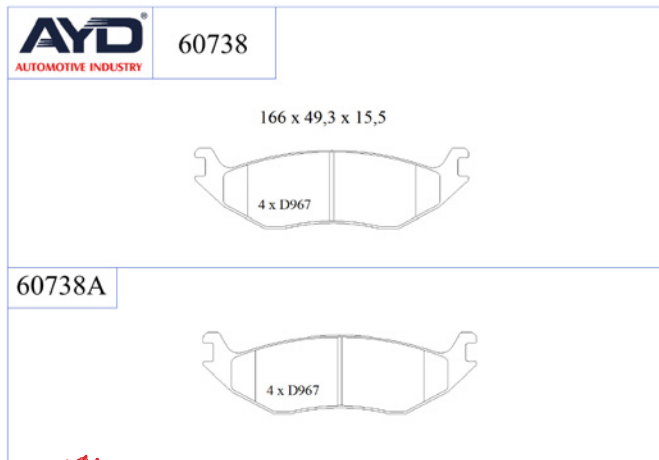
## PROTON

MODEL	START D.	END Y.
IMPIAN	2001/09	
JUMBUCK Pickup	2002/02	2008/12
PERSONA 400 Hatchback (C9_C. C9_S)	1994/01	2008/02



### BRAKE PAD

11-60738



• Rear Axle

OE:  
68071076AA

- Safety
- Performance
- OEM Standarts
- AYD Quality

WVA :

#### Technical Specifications:

Code	Shim	Wear Indicator	Indicator Type	Piston Spring	Compression Spring	Rivet	Clips	Bolt	Plastic Plug	Kit
60738A	4	-	-	-	-	-	-	-	-	-

## RAM

MODEL	START D.	END Y.
1500 Crew Cab Pickup (DS)	2010/09	2018/12
1500 Extended Cab Pickup (DS)	2010/09	2018/12
1500 Standard Cab Pickup (DS)	2009/09	2018/12



### BRAKE PAD

11-60871



• Front Axle

OE:  
4544200920 / 4544201920

- Safety
- Performance
- OEM Standards
- AYD Quality

WVA :21920

#### Technical Specifications:

Code	Shim	Wear Indicator	Indicator Type	Piston Spring	Compression Spring	Rivet	Clips	Bolt	Plastic Plug	Kit
60871A	-	-	-	-	4	4	-	-	-	-
60871B	-	-	-	-	4	4	-	2	-	-

## SMART

MODEL	START D.	END Y.
FORFOUR (454)	2004/01	2006/06





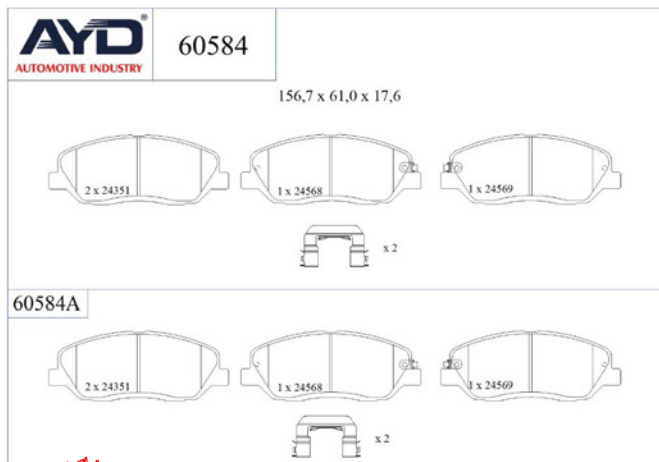
### BRAKE PAD

11-60584



• Front Axle

OE:  
4813036B00



• Safety  
• Performance  
• OEM Standarts  
• AYD Quality

WVA :24351-24568-24569

#### Technical Specifications:

Code	Shim	Wear Indicator	Indicator Type	Piston Spring	Compression Spring	Rivet	Clips	Bolt	Plastic Plug	Kit
60584A	4	2	-	-	-	-	4	-	-	-

## SSANGYONG

MODEL	START D.	END Y.
ACTYON II	2012/08	
ACTYON SPORTS I (QJ)	2005/11	
KORANDO (CK)	2010/07	
KORANDO VAN	2010/07	
MUSSO (QK)	2018/01	
MUSSO GRAND	2019/01	
REXTON (Y400. Y450)	2017/07	
REXTON VAN (Y400)	2017/07	



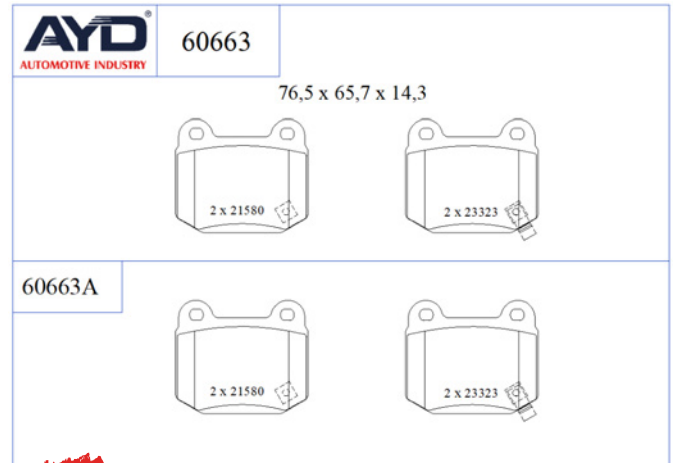
### BRAKE PAD

11-60663



• Rear Axle

OE:  
26696FE080



- Safety
- Performance
- OEM Standarts
- AYD Quality

**WVA :21580-23323**

#### Technical Specifications:

Code	Shim	Wear Indicator	Indicator Type	Piston Spring	Compression Spring	Rivet	Clips	Bolt	Plastic Plug	Kit
60663A	4	2	-	-	-	-	-	-	-	-

## SUBARU

MODEL	START D.	END Y.
BRZ (ZC6)	2012/06	
IMPREZA Estate (GG)	2000/10	2008/12
IMPREZA Hatchback (GR. GH. G3)	2007/03	2014/05
IMPREZA Saloon (GD)	1999/09	2009/06
IMPREZA Saloon (GE. GV)	2007/01	
WRX Saloon (GJ)	2011/07	



### BRAKE PAD

11-60688



• Front Axle

OE:  
5520065J23

- Safety
- Performance
- OEM Standarts
- AYD Quality

WVA :

#### Technical Specifications:

Code	Shim	Wear Indicator	Indicator Type	Piston Spring	Compression Spring	Rivet	Clips	Bolt	Plastic Plug	Kit
60688A	4	2	-	-	-	-	-	-	-	-

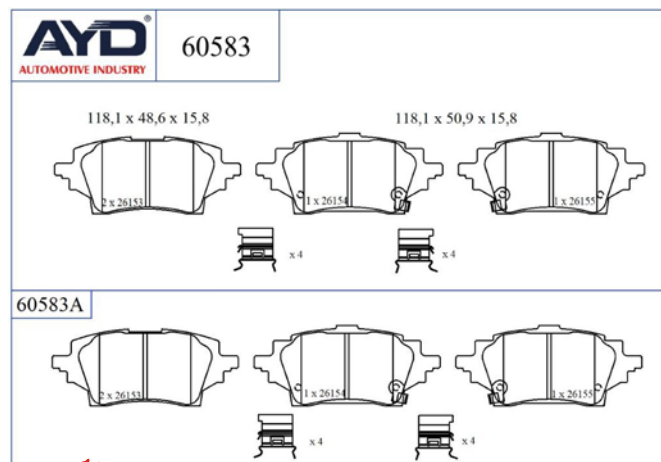
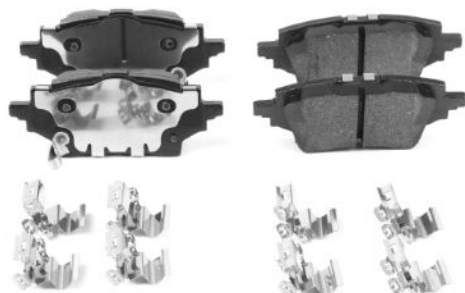
## SUZUKI

MODEL	START D.	END Y.
GRAND VITARA I (FT. HT)	1998/03	2008/08
GRAND VITARA I Open Off-Road Vehicle (GT)	1998/03	2005/09
GRAND VITARA II (JT. TE. TD)	2005/04	
XL7 (DA. DB)	2006/09	2009/12



### BRAKE PAD

11-60583



• Rear Axle

OE:  
0446602400

- Safety
- Performance
- OEM Standarts
- AYD Quality

WVA :26153-26154-26155

#### Technical Specifications:

Code	Shim	Wear Indicator	Indicator Type	Piston Spring	Compression Spring	Rivet	Clips	Bolt	Plastic Plug	Kit
60583A	4	2	-	-	-	-	8	-	-	-

## TOYOTA

MODEL	START D.	END Y.
C-HR (_X1_)	2016/10	
COROLLA COMMERCIAL (_E21_)	2022/06	
COROLLA Estate (_E21_)	2019/02	
COROLLA Hatchback (_E21_ _EA1_ _EH1_)	2018/10	
COROLLA Saloon (_E21_)	2019/01	
YARIS (_P21_ _PA1_ _PH1_)	2020/02	



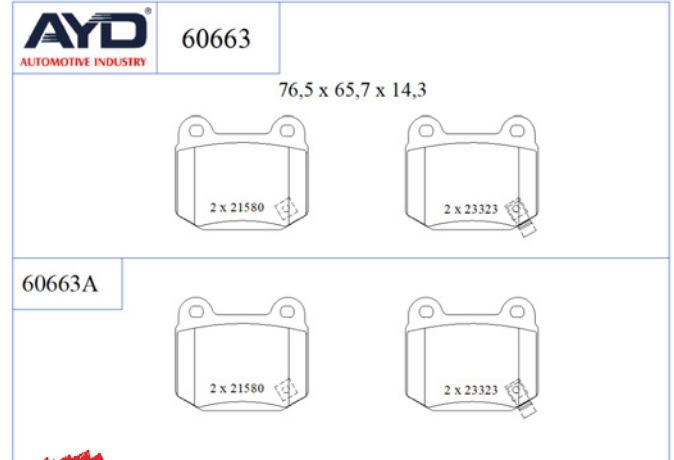
### BRAKE PAD

11-60663



• Rear Axle

OE:  
SU00307219



- Safety
- Performance
- OEM Standarts
- AYD Quality

**WVA :21580-23323**

#### Technical Specifications:

Code	Shim	Wear Indicator	Indicator Type	Piston Spring	Compression Spring	Rivet	Clips	Bolt	Plastic Plug	Kit
60663A	4	2	-	-	-	-	-	-	-	-

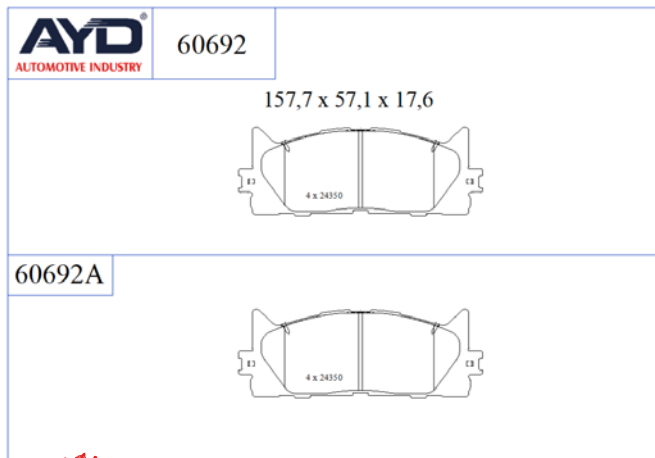
## TOYOTA

MODEL	START D.	END Y.
GT 86 Coupe (ZN6_)	2012/03	



### BRAKE PAD

11-60692



• Front Axle

OE:  
446507020

· Safety  
· Performance  
· OEM Standarts  
· AYD Quality

WVA :24350

#### Technical Specifications:

Code	Shim	Wear Indicator	Indicator Type	Piston Spring	Compression Spring	Rivet	Clips	Bolt	Plastic Plug	Kit
60692A	4	-	-	-	-	-	-	-	-	-

## TOYOTA

MODEL	START D.	END Y.
AURION (_V4_)	2006/03	2011/09
AURION (_V5_)	2011/09	2018/03
AVALON Saloon (_X3_)	2005/01	2012/11
AVALON Saloon (_X4_)	2012/09	2018/03
CAMRY Saloon (_V3_)	2001/08	2006/11
CAMRY Saloon (_V4_)	2006/01	2014/12
CAMRY Saloon (_V5_)	2011/09	2019/02



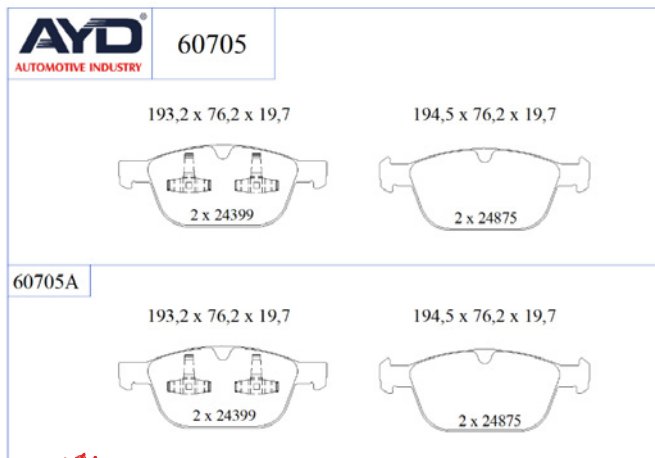
### BRAKE PAD

11-60705



• Front Axle

OE:  
307939430



- Safety
- Performance
- OEM Standarts
- AYD Quality

**WVA :24399-24875**

#### Technical Specifications:

Code	Shim	Wear Indicator	Indicator Type	Piston Spring	Compression Spring	Rivet	Clips	Bolt	Plastic Plug	Kit
60705A	4	-	-	4	-	-	-	-	-	-

## VOLVO

MODEL	START D.	END Y.
XC60 I SUV (156)	2008/05	2017/12
XC60 I VAN (156)	2008/05	2017/12
XC90 I (275)	2002/06	2015/01
XC90 I VAN (275)	2002/06	2015/01



### BRAKE PAD

11-60870



• Front Axle

OE:  
30769197 / 3345670 / 33456708

- Safety
- Performance
- OEM Standards
- AYD Quality

WVA :21920

#### Technical Specifications:

Code	Shim	Wear Indicator	Indicator Type	Piston Spring	Compression Spring	Rivet	Clips	Bolt	Plastic Plug	Kit
60870A	-	-	-	-	4	4	-	-	-	-

## VOLVO

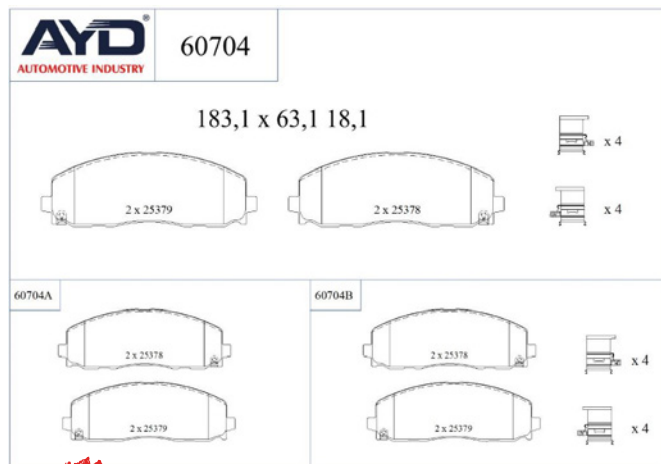
MODEL	START D.	END Y.
S40 I (644)	1995/07	2004/12
V40 Estate (645)	1995/07	2004/06





### BRAKE PAD

11-60704



• Front Axle

OE:  
7B0698151K

- Safety
- Performance
- OEM Standarts
- AYD Quality

WVA :25379-25378

#### Technical Specifications:

Code	Shim	Wear Indicator	Indicator Type	Piston Spring	Compression Spring	Rivet	Clips	Bolt	Plastic Plug	Kit
60704A	4	4	-	-	-	-	-	-	-	-
60704B	4	4	-	-	-	-	8	-	-	-

## VW

MODEL	START D.	END Y.
ROUTAN	2008/09	2013/12

