



# BRAKING

# THE DIFFERENCE

**SAFETY**

**PERFORMANCE**

**OEM Standards**

**AYD QUALITY**



**OCTOBER 2024**

[www.aydtr.com](http://www.aydtr.com)

## INDEX

### BRAKE DISC

AUDI .....	3-4
BMW .....	5-6
FORD .....	7-8
HONDA .....	9
HYUNDAI .....	10-11
JAGUAR .....	12-13
KIA .....	14
LAND ROVER .....	15-16
LEXUS .....	17
MERCEDES-BENZ .....	18-26
NISSAN .....	27-28
PORSCHE .....	29-30
RENAULT .....	31-32
VOLVO .....	33

### BRAKE DRUM

NISSAN .....	34
--------------	----

### BRAKE DISC

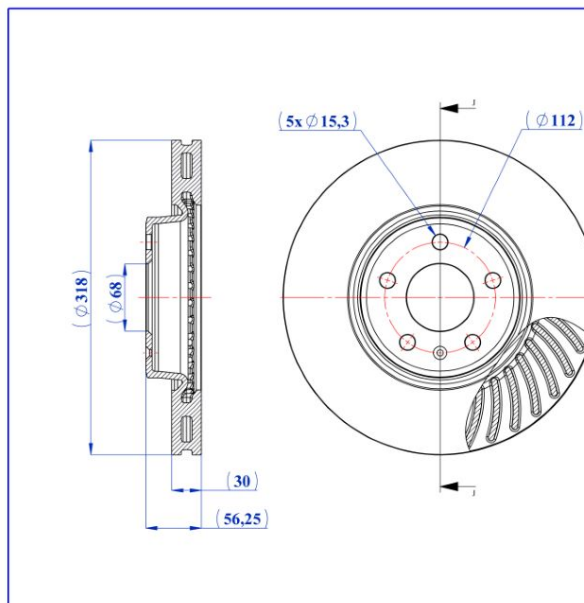
- Front Axle
- Vented

- Safety
- Performance
- OEM Standarts
- AYD Quality



OE:  
8W0615301AA / 8W0615301H

**10-51415**



**AYD**  
AUTOMOTIVE INDUSTRY

AYD NO  
**10-51415**

MATERIAL  
**TYPE-1**

WEIGHT  
**10,06 KG**

BALANCING  
**100 %**



#### Technical Specifications:

Diameter (mm)	Height (mm)	Brake Disc Thickness (mm)	Min. Thickness (mm)	Centering Diameter (mm)	Bolt Hole Circle (mm)	Num. of Holes
318	56.25	30	28	68	112	5+1

### AUDI

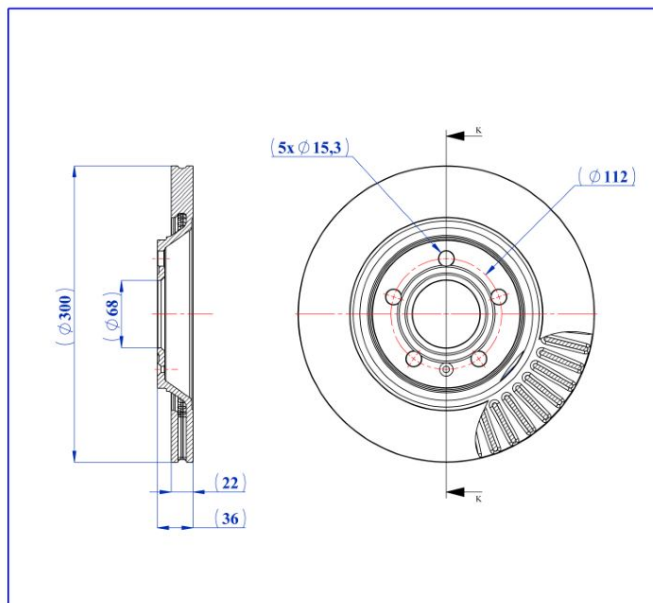
MODEL	START Y.	END Y.
A4 Allroad B9 (8WH. 8WJ)	2016/01	
A4 B9 (8W2. 8WC)	2015/05	
A4 B9 Avant (8W5. 8WD)	2015/08	
A5 (F53. F5P)	2016/06	
A5 Convertible (F57. F5E)	2016/11	
A5 Sportback (F5A. F5F)	2016/06	
A6 Allroad C8 (4AH)	2018/11	
A6 C8 (4A2)	2018/02	
A6 C8 Avant (4A5)	2018/05	
A7 Sportback (4KA)	2017/10	
Q5 (FYB. FYG)	2016/05	



### BRAKE DISC

- Rear Axle
- Vented

- Safety
- Performance
- OEM Standarts
- AYD Quality

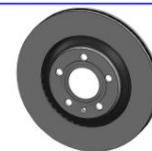


AYD NO  
**10-51416**

MATERIAL  
**TYPE-1**

WEIGHT  
**6,27 KG**

BALANCING  
**100 %**



OE:  
8E0615601R / 8E0615601K

**10-51416**

#### Technical Specifications:

Diameter (mm)	Height (mm)	Brake Disc Thickness (mm)	Min. Thickness (mm)	Centering Diameter (mm)	Bolt Hole Circle (mm)	Num. of Holes
300	36	22	20	68	112	5+1

### AUDI

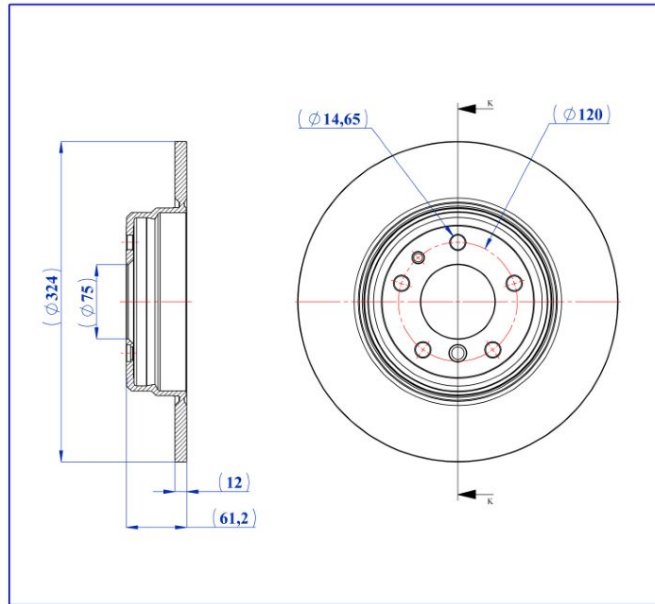
MODEL	START Y.	END Y.
A4 B6 (8E2)	2000/11	2005/12
A4 B6 Avant (8E5)	2000/02	2005/12
A4 B6 Convertible (8H7)	2002/01	2009/12
A4 B7 (8EC)	2004/11	2009/01
A4 B7 Avant (8ED)	2004/11	2008/11
A4 B7 Convertible (8HE)	2002/01	2010/01



### BRAKE DISC

- Rear Axle
- solid

- Safety
- Performance
- OEM Standarts
- AYD Quality



AYD NO  
**10-51414**

MATERIAL  
**TYPE-1**

WEIGHT  
**6.67 KG**

BALANCING  
**100 %**



OE:  
34216757749 / 34216757748 /  
34211159900

**10-51414**

#### Technical Specifications:

Diameter (mm)	Height (mm)	Brake Disc Thickness (mm)	Min. Thickness (mm)	Centering Diameter (mm)	Bolt Hole Circle (mm)	Num. of Holes
324	61.2	12	10.4	75	120	5+2

### BMW

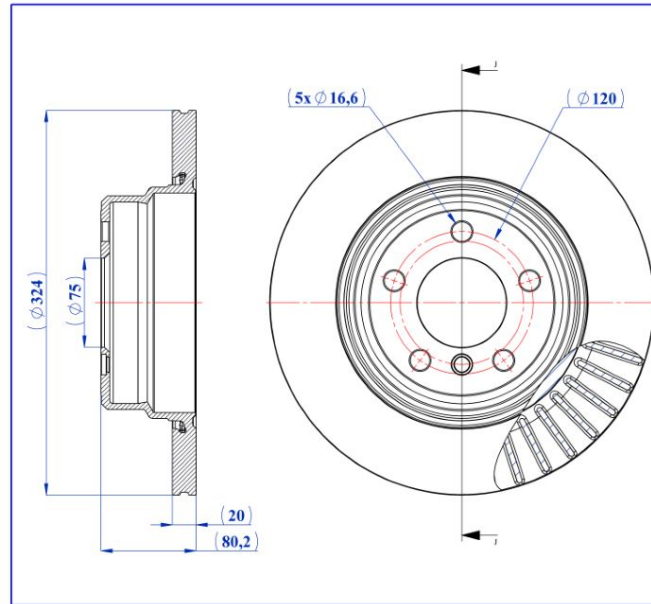
MODEL	START Y.	END Y.
7 (E38)	1994/03	2001/11
8 (E31)	1990/01	1999/12



### BRAKE DISC

- Rear Axle
- Vented

- Safety
- Performance
- OEM Standarts
- AYD Quality



AYD NO  
**10-51419**

MATERIAL  
**TYPE-1**

WEIGHT  
**7.9 KG**

BALANCING  
**100 %**



OE:  
34216756849

**10-51419**

#### Technical Specifications:

Diameter (mm)	Height (mm)	Brake Disc Thickness (mm)	Min. Thickness (mm)	Centering Diameter (mm)	Bolt Hole Circle (mm)	Num. of Holes
324	80.2	20	18.4	75	120	5+1

### BMW

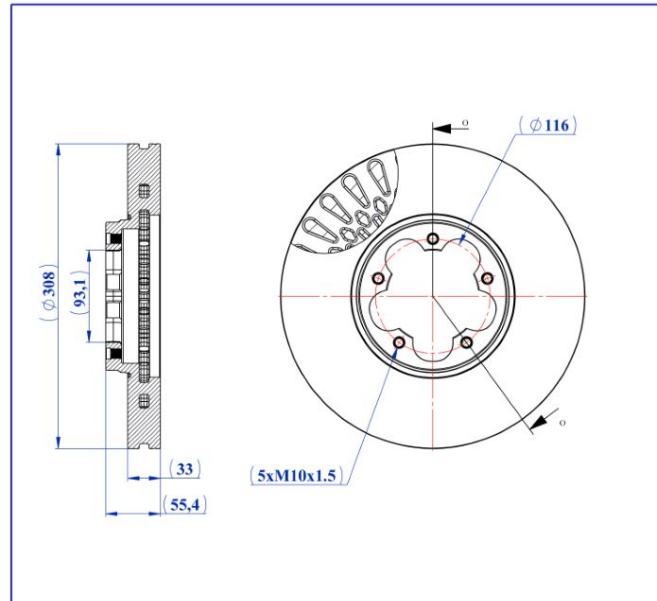
MODEL	START Y.	END Y.
X5 (E53)	2000/01	2006/12



### BRAKE DISC

- Front Axle
- Vented

- Safety
- Performance
- OEM Standards
- AYD Quality



AYD NO  
**10-51409**

MATERIAL  
**TYPE-1**

WEIGHT  
**11,42 KG**

BALANCING  
**100 %**



OE:  
CK4Z1125E

**10-51409**

#### Technical Specifications:

Diameter (mm)	Height (mm)	Brake Disc Thickness (mm)	Min. Thickness (mm)	Centering Diameter (mm)	Bolt Hole Circle (mm)	Num. of Holes
308	55.4	33	30	93.1	116	5

### FORD

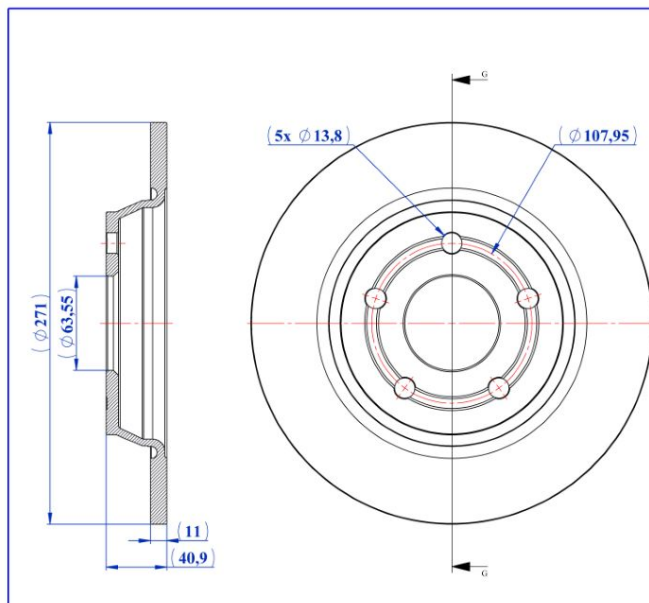
MODEL	START Y.	END Y.
TRANSIT-150	2020	2021
TRANSIT-250	2020	2021
TRANSIT-350	2020	2021



### BRAKE DISC

- Rear Axle
- solid

- Safety
- Performance
- OEM Standarts
- AYD Quality

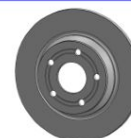


AYD NO  
10-51430

MATERIAL  
TYPE-1

WEIGHT  
4,04 KG

BALANCING  
100 %



OE:  
2196429 / JX612A315AEA

**10-51430**

#### Technical Specifications:

Diameter (mm)	Height (mm)	Brake Disc Thickness (mm)	Min. Thickness (mm)	Centering Diameter (mm)	Bolt Hole Circle (mm)	Num. of Holes
271	40.9	11	9	63.55	107.95	5

### FORD

MODEL	START Y.	END Y.
FOCUS IV (HN)	2018/01	
FOCUS IV Saloon (HM)	2018/11	
FOCUS IV Turnier (HP)	2018/09	

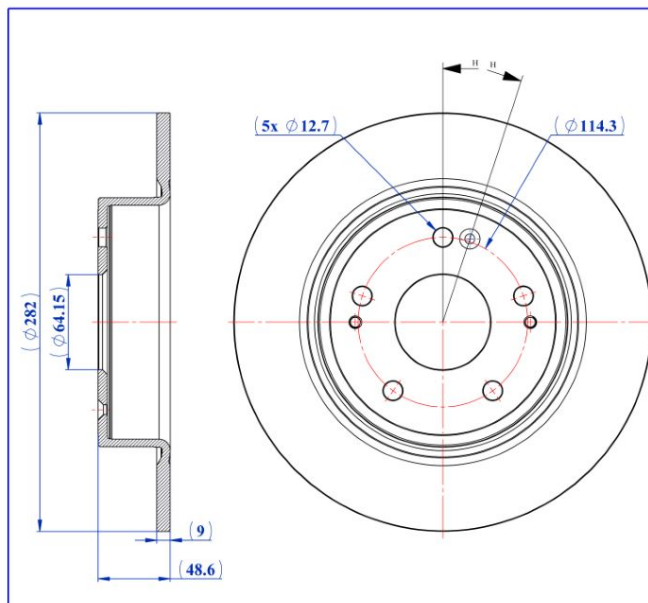




### BRAKE DISC

- Rear Axle
- solid

- Safety
- Performance
- OEM Standarts
- AYD Quality



AYD NO  
10-51426

MATERIAL  
TYPE-1

WEIGHT  
4,09 KG

BALANCING  
100 %



OE:  
42510TVAA00

**10-51426**

#### Technical Specifications:

Diameter (mm)	Height (mm)	Brake Disc Thickness (mm)	Min. Thickness (mm)	Centering Diameter (mm)	Bolt Hole Circle (mm)	Num. of Holes
282	48.6	9	8	64.15	114.3	5+3

### HONDA

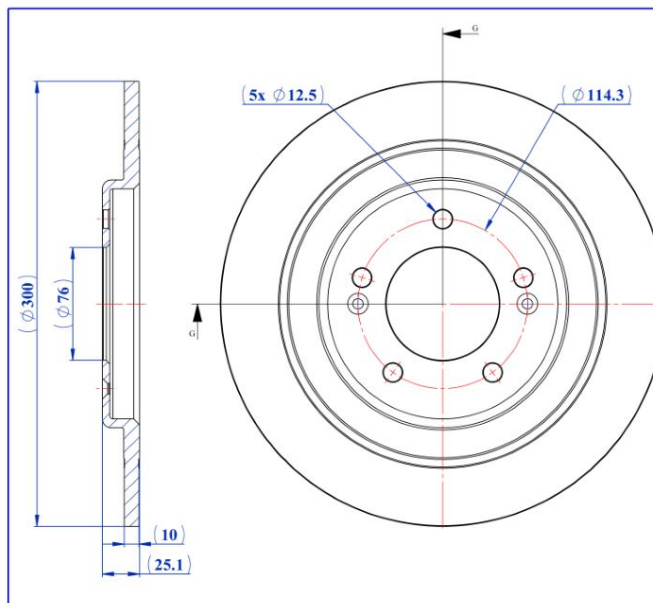
MODEL	START Y.	END Y.
ACCORD X Saloon (CV)	2017/10	



### BRAKE DISC

- Rear Axle
- solid

- Safety
- Performance
- OEM Standarts
- AYD Quality



AYD NO  
10-51432

MATERIAL  
TYPE-1

WEIGHT  
4,57 KG

BALANCING  
100 %



OE:  
584113Z700

**10-51432**

#### Technical Specifications:

Diameter (mm)	Height (mm)	Brake Disc Thickness (mm)	Min. Thickness (mm)	Centering Diameter (mm)	Bolt Hole Circle (mm)	Num. of Holes
300	25.1	10	8.4	76	114.3	5+2

### HYUNDAI

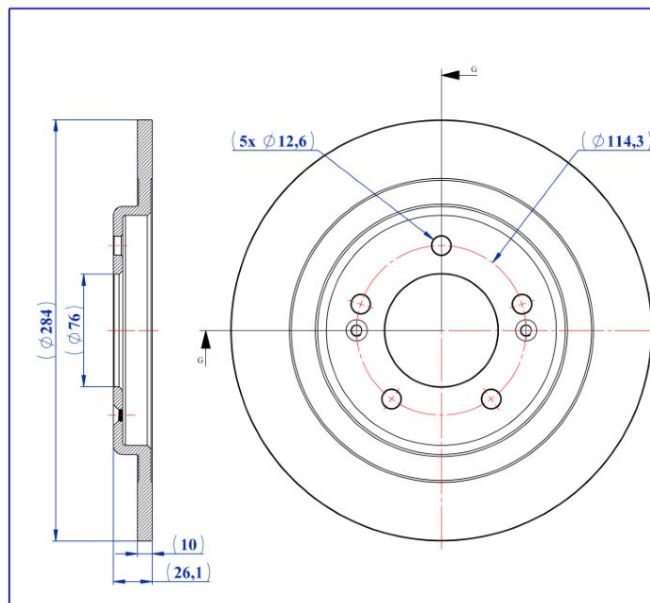
MODEL	START Y.	END Y.
i40 I (VF)	2012/03	2019/05
i40 I CW (VF)	2011/07	2019/05
i40 I Kombi Van (VF)	2011/07	2019/05



### BRAKE DISC

- Rear Axle
- solid

- Safety
- Performance
- OEM Standarts
- AYD Quality



AYD NO  
**10-51434**

MATERIAL  
**TYPE-1**

WEIGHT  
**4 KG**

BALANCING  
**100 %**



OE:  
**58411A6200**

**10-51434**

#### Technical Specifications:

Diameter (mm)	Height (mm)	Brake Disc Thickness (mm)	Min. Thickness (mm)	Centering Diameter (mm)	Bolt Hole Circle (mm)	Num. of Holes
284	26.1	10	8.4	76	114.3	5+2

### HYUNDAI

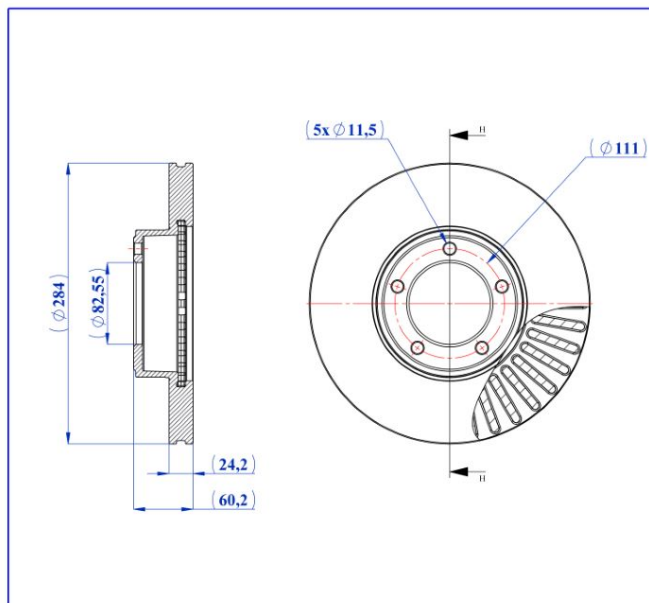
MODEL	START Y.	END Y.
i30 (GD)	2011/06	
i30 Coupe	2013/05	
i30 Estate (GD)	2012/06	
i30 Hatchback Van (GDE)	2012/06	
i30 Kombi Van (GDE. GD)	2012/06	



### BRAKE DISC

- Front Axle
- Vented

- Safety
- Performance
- OEM Standarts
- AYD Quality



AYD NO  
**10-51417**

MATERIAL  
**TYPE-1**

WEIGHT  
**7.31 KG**

BALANCING  
**100 %**



OE:  
JLM776 / JLM729 / C41924

**10-51417**

#### Technical Specifications:

Diameter (mm)	Height (mm)	Brake Disc Thickness (mm)	Min. Thickness (mm)	Centering Diameter (mm)	Bolt Hole Circle (mm)	Num. of Holes
284	60.2	24.2	22.9	82.55	111	5

### JAGUAR

MODEL	START Y.	END Y.
E-TYPE 2+2	1965/01	1975/04
E-TYPE Convertible	1961/04	1975/04
XJ	1968/07	1993/02
XJ Coupe	1973/09	1996/03
XJSC Convertible (X27)	1985/07	1997/09



### BRAKE DISC

- Front Axle
- Vented

- Safety
- Performance
- OEM Standarts
- AYD Quality



OE:  
C2C8354

**10-51420**

<b>AYD</b> AUTOMOTIVE INDUSTRY
AYD NO <b>10-51420</b>
MATERIAL <b>TYPE-1</b>
WEIGHT <b>9,34 KG</b>
BALANCING <b>100 %</b>

#### Technical Specifications:

Diameter (mm)	Height (mm)	Brake Disc Thickness (mm)	Min. Thickness (mm)	Centering Diameter (mm)	Bolt Hole Circle (mm)	Num. of Holes
320	43	30	28.4	71	107.95	5

### JAGUAR

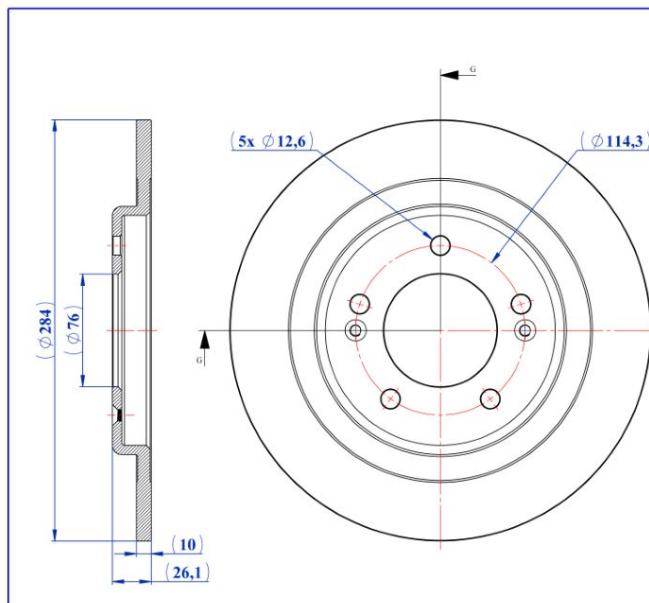
MODEL	START Y.	END Y.
S-TYPE II (X200)	1998/10	2008/12
XJ (X350. X358)	2003/03	2009/03



### BRAKE DISC

- Rear Axle
- solid

- Safety
- Performance
- OEM Standarts
- AYD Quality



AYD NO  
10-51434

MATERIAL  
TYPE-1

WEIGHT  
4 KG

BALANCING  
100 %



OE:  
58411A6200

**10-51434**

#### Technical Specifications:

Diameter (mm)	Height (mm)	Brake Disc Thickness (mm)	Min. Thickness (mm)	Centering Diameter (mm)	Bolt Hole Circle (mm)	Num. of Holes
284	26.1	10	8.4	76	114.3	5+2

### KIA

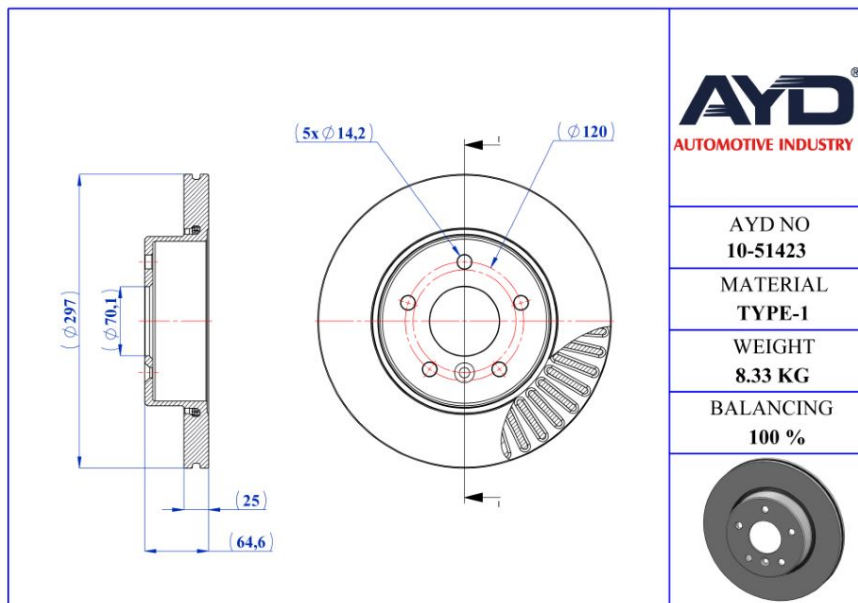
MODEL	START Y.	END Y.
CEE'D (JD)	2012/05	2018/07
CEE'D Sportswagon (JD)	2012/09	2018/07
PRO CEE'D (JD)	2013/03	2018/07
CEE'D Combi Van (JD)	2012/07	2018/07
PRO CEE'D Hatchback Van (JD)	2012/03	2018/07



### BRAKE DISC

- Front Axle
- Vented

- Safety
- Performance
- OEM Standarts
- AYD Quality



OE:  
NTC8780

**10-51423**

#### Technical Specifications:

Diameter (mm)	Height (mm)	Brake Disc Thickness (mm)	Min. Thickness (mm)	Centering Diameter (mm)	Bolt Hole Circle (mm)	Num. of Holes
297	64.6	25	22	70.1	120	5+1

### LAND ROVER

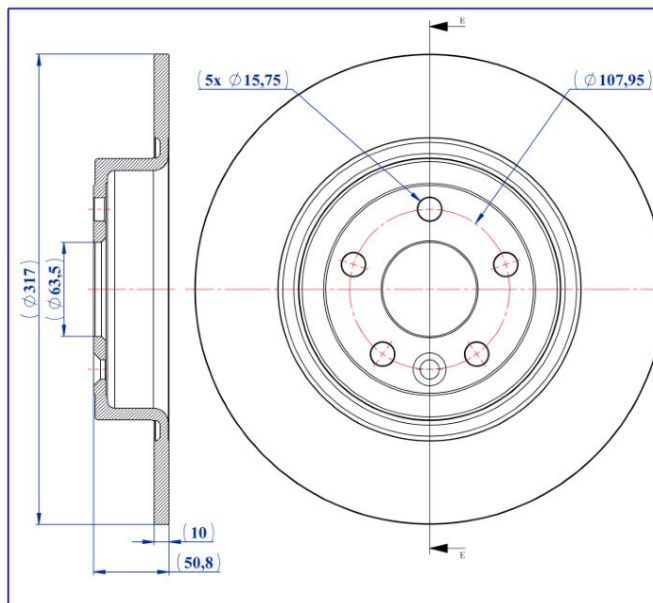
MODEL	START Y.	END Y.
RANGE ROVER II (P38A)	1994/07	2002/03



### BRAKE DISC

- Rear Axle
- solid

- Safety
- Performance
- OEM Standarts
- AYD Quality



AYD NO  
10-51427

MATERIAL  
TYPE-1

WEIGHT  
6,09 KG

BALANCING  
100 %



OE:  
LR072016 / GJ322A315AA

**10-51427**

#### Technical Specifications:

Diameter (mm)	Height (mm)	Brake Disc Thickness (mm)	Min. Thickness (mm)	Centering Diameter (mm)	Bolt Hole Circle (mm)	Num. of Holes
317	50.8	10	8	63.5	107.95	5+1

### LAND ROVER

MODEL	START Y.	END Y.
RANGE ROVER EVOQUE (L538)	2011/06	2019/12
RANGE ROVER EVOQUE Convertible (L538)	2015/11	2019/12
RANGE ROVER EVOQUE VAN (L538)	2011/06	2019/12





### BRAKE DISC

- Front Axle
- Vented

- Safety
- Performance
- OEM Standarts
- AYD Quality



OE:  
435120E021 / 435120E020

**10-51408**

AYD NO <b>10-51408</b>	
MATERIAL <b>TYPE-1</b>	
WEIGHT <b>9.5 KG</b>	
BALANCING <b>100 %</b>	

#### Technical Specifications:

Diameter (mm)	Height (mm)	Brake Disc Thickness (mm)	Min. Thickness (mm)	Centering Diameter (mm)	Bolt Hole Circle (mm)	Num. of Holes
319	49.4	28	26	62	114.3	5+2

### LEXUS

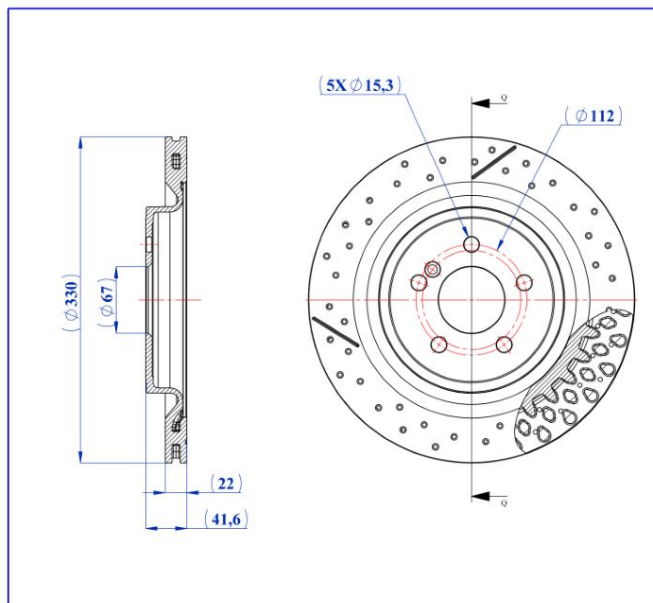
MODEL	START Y.	END Y.
RX (_U3_)	2003/02	2008/12



### BRAKE DISC

- Rear Axle
- Vented

- Safety
- Performance
- OEM Standarts
- AYD Quality

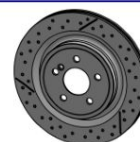


AYD NO  
**10-51392**

MATERIAL  
**TYPE-1**

WEIGHT  
**7,34 KG**

BALANCING  
**100 %**



OE:  
1724230112

**10-51392**

#### Technical Specifications:

Diameter (mm)	Height (mm)	Brake Disc Thickness (mm)	Min. Thickness (mm)	Centering Diameter (mm)	Bolt Hole Circle (mm)	Num. of Holes
330	41.6	22	20	67	112	5+1

### MERCEDES-BENZ

MODEL	START Y.	END Y.
A-CLASS (W176)	2012/06	2018/05
CLA Coupe (C117)	2013/01	2019/03
CLA Shooting Brake (X117)	2015/01	2019/03
GLA-CLASS (X156)	2013/12	2022/05
SLC (R172)	2016/01	
SLK (R172)	2011/01	



### BRAKE DISC

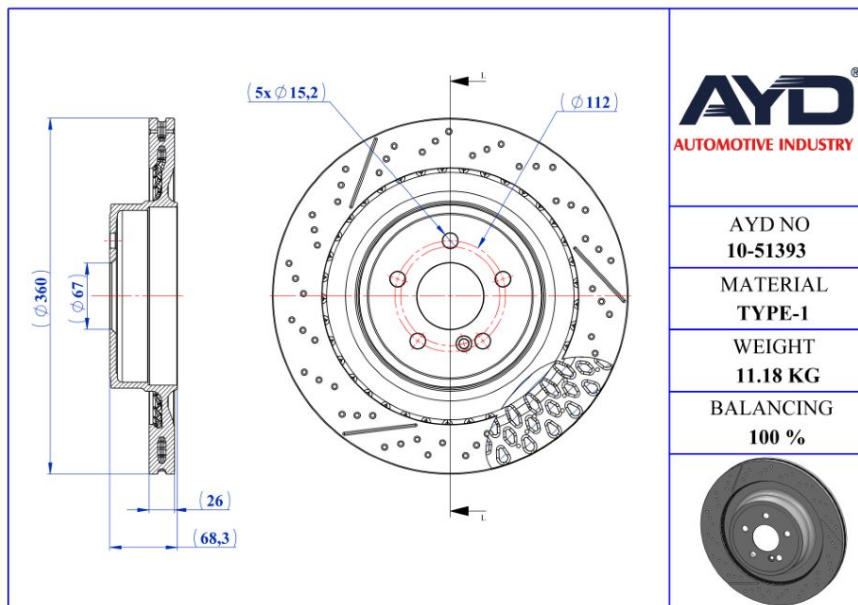
- Rear Axle
- Vented

- Safety
- Performance
- OEM Standarts
- AYD Quality

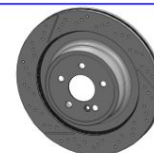


OE:  
2124230412

**10-51393**



AYD NO <b>10-51393</b>
MATERIAL <b>TYPE-1</b>
WEIGHT <b>11.18 KG</b>
BALANCING <b>100 %</b>



#### Technical Specifications:

Diameter (mm)	Height (mm)	Brake Disc Thickness (mm)	Min. Thickness (mm)	Centering Diameter (mm)	Bolt Hole Circle (mm)	Num. of Holes
360	68.3	26	24	67	112	5+1

### MERCEDES-BENZ

MODEL	START Y.	END Y.
C-CLASS Coupe (C204)	2011/01	
CLS (C218)	2011/01	2017/12
CLS Shooting Brake (X218)	2012/10	2017/12
E-CLASS (W212)	2009/01	2016/12
E-CLASS T-Model (S212)	2009/08	2016/12



### BRAKE DISC

- Rear Axle
- solid

- Safety
- Performance
- OEM Standarts
- AYD Quality



**AYD**<sup>®</sup>  
AUTOMOTIVE INDUSTRY

AYD NO <b>10-51411</b>
MATERIAL <b>TYPE-1</b>
WEIGHT <b>8,02 KG</b>
BALANCING <b>100 %</b>

OE:  
1634230212 / 1634230012

**10-51411**

#### Technical Specifications:

Diameter (mm)	Height (mm)	Brake Disc Thickness (mm)	Min. Thickness (mm)	Centering Diameter (mm)	Bolt Hole Circle (mm)	Num. of Holes
331	55	14	12.3	67	112	5+1

### MERCEDES-BENZ

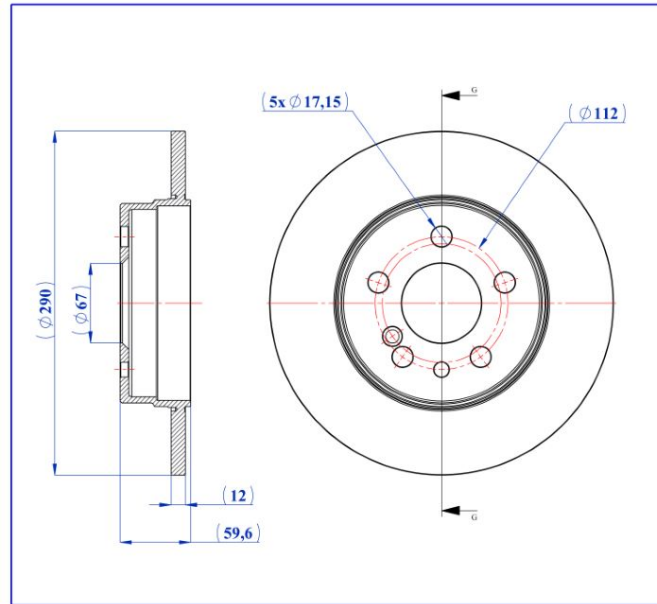
MODEL	START Y.	END Y.
M-CLASS (W163)	1998/02	2005/07



### BRAKE DISC

- Rear Axle
- solid

- Safety
- Performance
- OEM Standarts
- AYD Quality



AYD NO  
**10-51412**

MATERIAL  
**TYPE-1**

WEIGHT  
**5,54 KG**

BALANCING  
**100 %**



OE:  
140423061264 / 1404230612

**10-51412**

#### Technical Specifications:

Diameter (mm)	Height (mm)	Brake Disc Thickness (mm)	Min. Thickness (mm)	Centering Diameter (mm)	Bolt Hole Circle (mm)	Num. of Holes
290	59.6	12	9.8	67	112	5+2

### MERCEDES-BENZ

MODEL	START Y.	END Y.
S-CLASS (W140)	1991/02	1998/10



### BRAKE DISC

- Rear Axle
- solid

- Safety
- Performance
- OEM Standarts
- AYD Quality



**AYD**<sup>®</sup>  
AUTOMOTIVE INDUSTRY

---

AYD NO  
**10-51413**

---

MATERIAL  
**TYPE-1**

---

WEIGHT  
**4,69 KG**

---

BALANCING  
**100 %**

OE:  
000423161207 / 0004231612 /  
1724230212

**10-51413**

#### Technical Specifications:

Diameter (mm)	Height (mm)	Brake Disc Thickness (mm)	Min. Thickness (mm)	Centering Diameter (mm)	Bolt Hole Circle (mm)	Num. of Holes
300	43.1	10	8.3	67	112	5+1

### MERCEDES-BENZ

MODEL	START Y.	END Y.
SLC (R172)	2016/01	
SLK (R172)	2011/01	



### BRAKE DISC

- Rear Axle
- Vented

- Safety
- Performance
- OEM Standarts
- AYD Quality



OE:  
140423041264 / 1404230412 /  
1404230812

**10-51418**

AYD NO <b>10-51418</b>	
MATERIAL <b>TYPE-1</b>	
WEIGHT <b>7,74 KG</b>	
BALANCING <b>100 %</b>	

#### Technical Specifications:

Diameter (mm)	Height (mm)	Brake Disc Thickness (mm)	Min. Thickness (mm)	Centering Diameter (mm)	Bolt Hole Circle (mm)	Num. of Holes
300	59.65	22	19.4	67	112	5+2

### MERCEDES-BENZ

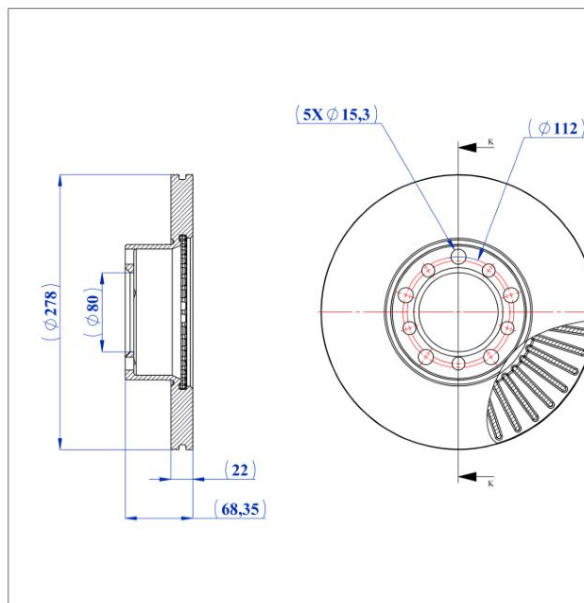
MODEL	START Y.	END Y.
S-CLASS (W140)	1991/02	1998/10
S-CLASS Coupe (C140)	1992/07	1999/12



### BRAKE DISC

- Front Axle
- Vented

- Safety
- Performance
- OEM Standarts
- AYD Quality



AYD NO  
**10-51422**

MATERIAL  
**TYPE-1**

WEIGHT  
**6.4 KG**

BALANCING  
**100 %**



OE:  
126420000564 / 1264200005 /  
1264200172

**10-51422**

#### Technical Specifications:

Diameter (mm)	Height (mm)	Brake Disc Thickness (mm)	Min. Thickness (mm)	Centering Diameter (mm)	Bolt Hole Circle (mm)	Num. of Holes
278	68.35	22	19.4	80	112	5+5

### MERCEDES-BENZ

MODEL	START Y.	END Y.
S-CLASS (W126)	1979/10	1991/06
SL (R107)	1971/05	1989/12
SL Coupe (C107)	1972/01	1985/08

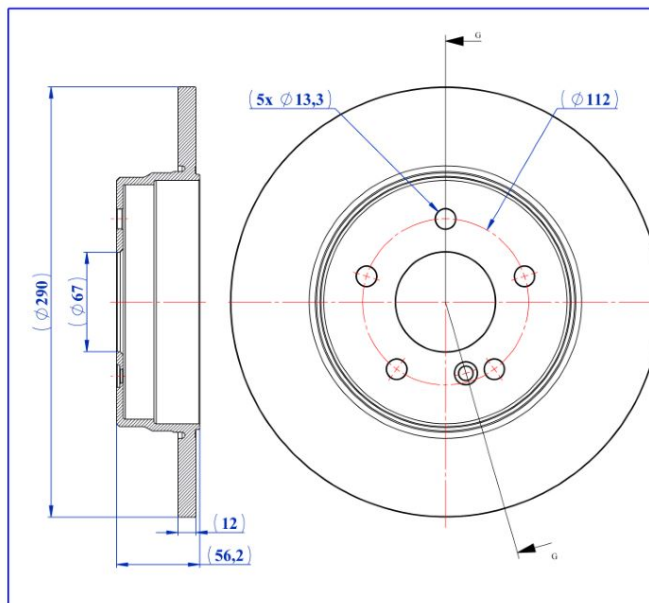




### BRAKE DISC

- Rear Axle
- solid

- Safety
- Performance
- OEM Standarts
- AYD Quality



AYD NO  
10-51431

MATERIAL  
TYPE-1

WEIGHT  
5,21 KG

BALANCING  
100 %



OE:  
210423051264 / 2104230512

**10-51431**

#### Technical Specifications:

Diameter (mm)	Height (mm)	Brake Disc Thickness (mm)	Min. Thickness (mm)	Centering Diameter (mm)	Bolt Hole Circle (mm)	Num. of Holes
290	56.2	12	10.3	67	112	5+1

### MERCEDES-BENZ

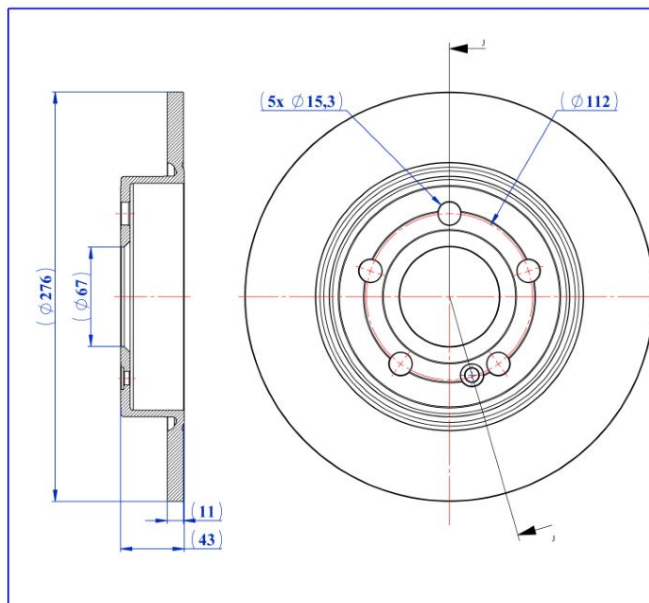
MODEL	START Y.	END Y.
E-CLASS Platform/Chassis (VF210)	1996/06	2003/03
E-CLASS T-Model (S210)	1996/06	2003/03



### BRAKE DISC

- Rear Axle
- solid

- Safety
- Performance
- OEM Standards
- AYD Quality



AYD NO  
**10-51433**

MATERIAL  
**TYPE-1**

WEIGHT  
**4,27 KG**

BALANCING  
**100 %**



OE:  
2474230112

**10-51433**

#### Technical Specifications:

Diameter (mm)	Height (mm)	Brake Disc Thickness (mm)	Min. Thickness (mm)	Centering Diameter (mm)	Bolt Hole Circle (mm)	Num. of Holes
276	43	11	9.3	67	112	5+1

### MERCEDES-BENZ

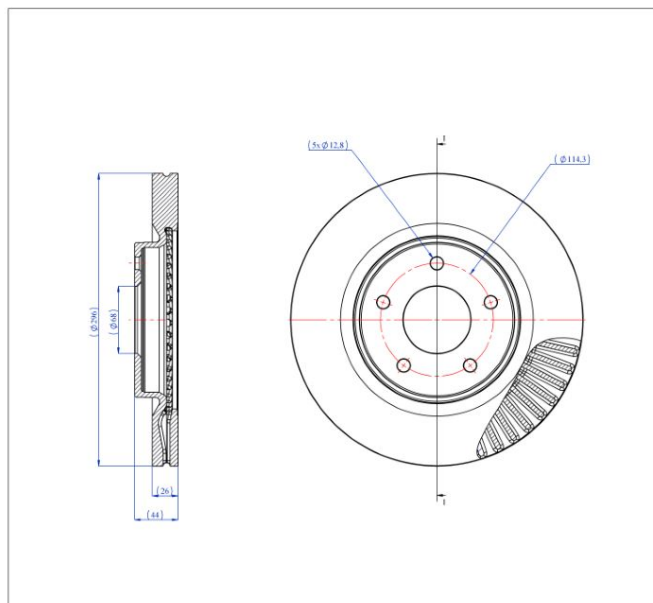
MODEL	START Y.	END Y.
A-CLASS (W177)	2018/03	
A-CLASS Saloon (V177)	2018/09	
B-CLASS Sports Tourer (W247)	2018/12	
CLA (C118)	2019/03	
CLA Shooting Brake (X118)	2019/06	



### BRAKE DISC

- Front Axle
- Vented

- Safety
- Performance
- OEM Standarts
- AYD Quality

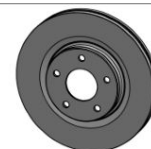


AYD NO  
**10-51410**

MATERIAL  
**TYPE-1**

WEIGHT  
**7.76 KG**

BALANCING  
**100 %**



OE:  
402061KC1B / 402061KC1A

**10-51410**

#### Technical Specifications:

Diameter (mm)	Height (mm)	Brake Disc Thickness (mm)	Min. Thickness (mm)	Centering Diameter (mm)	Bolt Hole Circle (mm)	Num. of Holes
296	44	26	24	68	114.3	5

### NISSAN

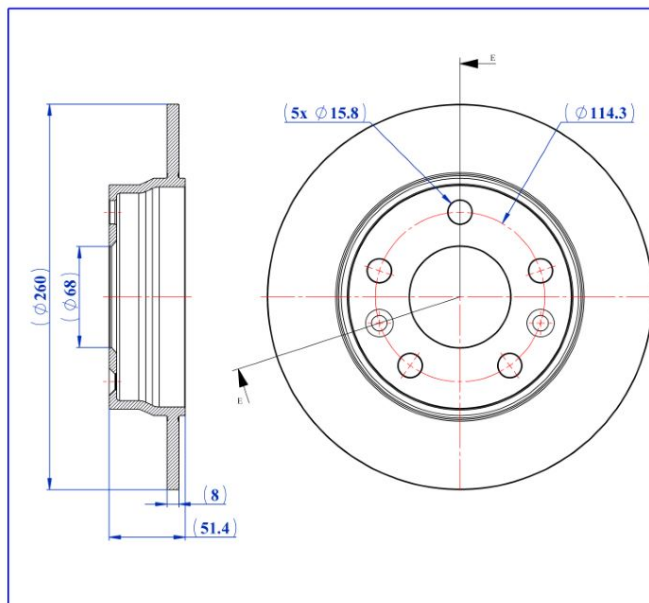
MODEL	START Y.	END Y.
JUKE Van (F15)	2010/06	2019/12
SENTRA VII (B17)	2012/08	



### BRAKE DISC

- Rear Axle
- solid

- Safety
- Performance
- OEM Standarts
- AYD Quality



AYD NO  
10-51429

MATERIAL  
TYPE-1

WEIGHT  
3,3 KG

BALANCING  
100 %



OE:  
4320600Q1A

**10-51429**

#### Technical Specifications:

Diameter (mm)	Height (mm)	Brake Disc Thickness (mm)	Min. Thickness (mm)	Centering Diameter (mm)	Bolt Hole Circle (mm)	Num. of Holes
260	51.4	8	7	68	114.3	5+2

### NISSAN

MODEL	START Y.	END Y.
JUKE (F16_)	2019/08	



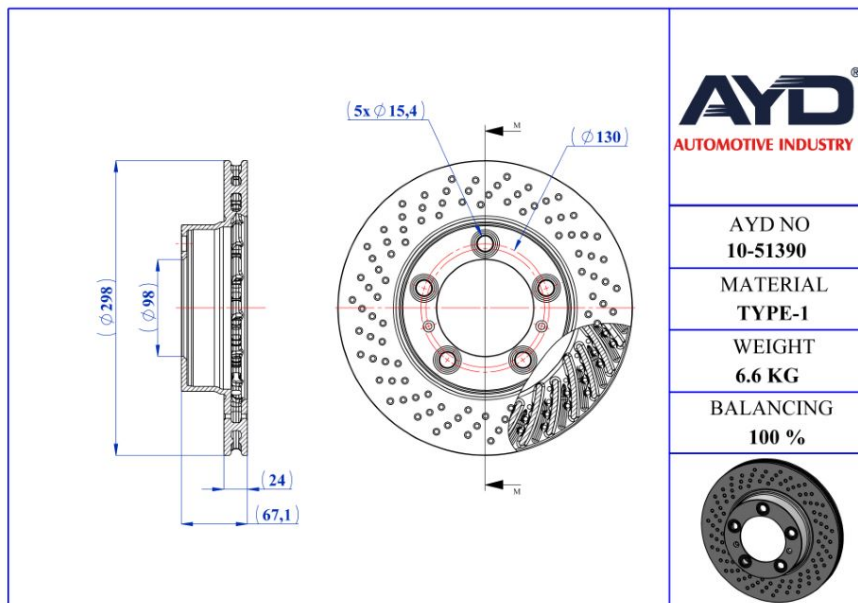
### BRAKE DISC

- Front Axle Left
- Vented

- Safety
- Performance
- OEM Standarts
- AYD Quality

OE:  
98735140101

**10-51390**



#### Technical Specifications:

Diameter (mm)	Height (mm)	Brake Disc Thickness (mm)	Min. Thickness (mm)	Centering Diameter (mm)	Bolt Hole Circle (mm)	Num. of Holes
298	67.1	24	22	98	130	5+2

### PORSCHE

MODEL	START Y.	END Y.
BOXSTER (987)	2004/06	2013/12
CAYMAN (987)	2005/11	2013/12



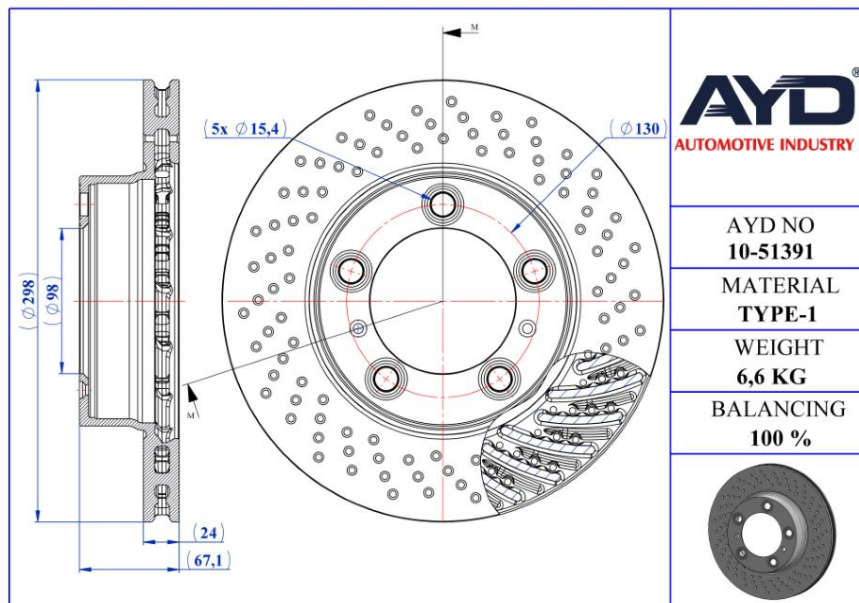
### BRAKE DISC

- Front Axle Right
- Vented

- Safety
- Performance
- OEM Standarts
- AYD Quality

OE:  
98735140201

**10-51391**



**AYD**  
AUTOMOTIVE INDUSTRY

AYD NO  
**10-51391**

MATERIAL  
**TYPE-1**

WEIGHT  
**6,6 KG**

BALANCING  
**100 %**



#### Technical Specifications:

Diameter (mm)	Height (mm)	Brake Disc Thickness (mm)	Min. Thickness (mm)	Centering Diameter (mm)	Bolt Hole Circle (mm)	Num. of Holes
298	67.1	24	22	98	130	5+2

### PORSCHE

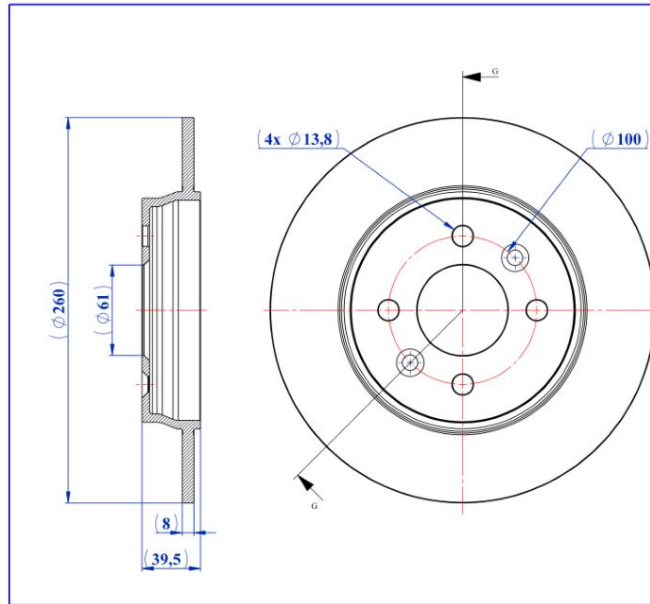
MODEL	START Y.	END Y.
BOXSTER (987)	2004/06	2013/12
CAYMAN (987)	2005/11	2013/12



### BRAKE DISC

- Rear Axle
- solid

- Safety
- Performance
- OEM Standarts
- AYD Quality



AYD NO  
**10-51428**

MATERIAL  
**TYPE-1**

WEIGHT  
**3,09 KG**

BALANCING  
**100 %**



OE:  
**440A00868R**

**10-51428**

#### Technical Specifications:

Diameter (mm)	Height (mm)	Brake Disc Thickness (mm)	Min. Thickness (mm)	Centering Diameter (mm)	Bolt Hole Circle (mm)	Num. of Holes
260	39.5	8	7	61	100	4+2

### RENAULT

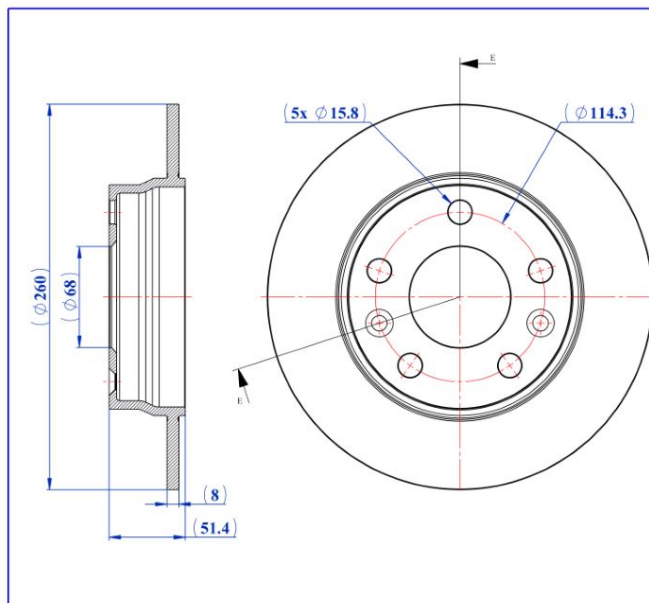
MODEL	START Y.	END Y.
CLIO V (B7_)	2019/06	



### BRAKE DISC

- Rear Axle
- solid

- Safety
- Performance
- OEM Standarts
- AYD Quality



AYD NO  
10-51429

MATERIAL  
TYPE-1

WEIGHT  
3,3 KG

BALANCING  
100 %



OE:  
440A06575R / 432064941R

**10-51429**

#### Technical Specifications:

Diameter (mm)	Height (mm)	Brake Disc Thickness (mm)	Min. Thickness (mm)	Centering Diameter (mm)	Bolt Hole Circle (mm)	Num. of Holes
260	51.4	8	7	68	114.3	5+2

### RENAULT

MODEL	START Y.	END Y.
CAPTUR II (HF_)	2020/01	
MEGANE IV Grandtour (K9A/M/N_)	2016/04	
MEGANE IV Hatchback (B9A/M/N_)	2015/11	
MEGANE IV Saloon	2016/10	

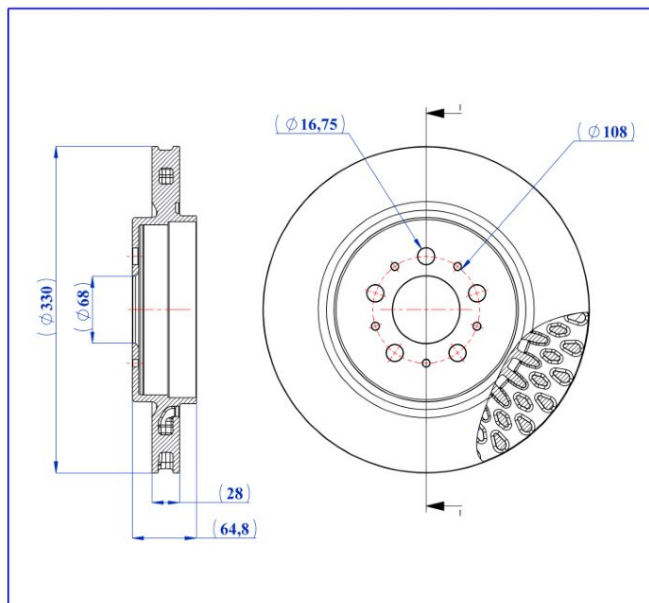




### BRAKE DISC

- Rear Axle
- Vented

- Safety
- Performance
- OEM Standarts
- AYD Quality

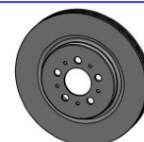


AYD NO  
**10-51421**

MATERIAL  
**TYPE-1**

WEIGHT  
**9,83 KG**

BALANCING  
**100 %**



OE:  
30645223 / 8672113

**10-51421**

#### Technical Specifications:

Diameter (mm)	Height (mm)	Brake Disc Thickness (mm)	Min. Thickness (mm)	Centering Diameter (mm)	Bolt Hole Circle (mm)	Num. of Holes
330	64.8	28	26	68	108	5+5

### VOLVO

MODEL	START Y.	END Y.
S60 I (384)	2000/07	2010/04
V70 II (285)	1999/11	2008/12



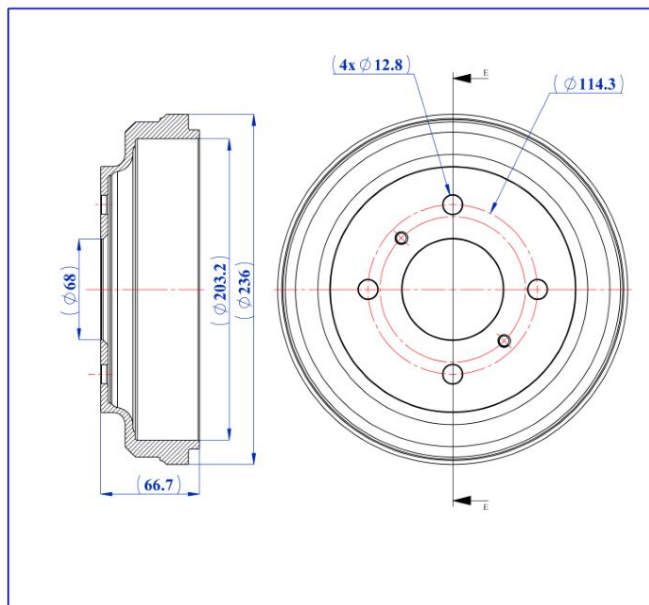
### BRAKE DRUM

· Rear Axle

- Safety
- Performance
- OEM Standarts
- AYD Quality

OE:  
432064Z801 / 432064Z001 /  
432064M401

**13-51071**



**AYD**<sup>®</sup>  
AUTOMOTIVE INDUSTRY

AYD NO  
**13-51071**

MATERIAL  
**TYPE-1**

WEIGHT  
**4.19 KG**

BALANCING  
**100 %**



#### Technical Specifications:

Diameter (mm)	Height (mm)	Brake Diameter Inside (mm)	Max. Skimmed Drum Mea. (mm)	Centering Diameter (mm)	Bolt Hole Circle (mm)	Num. of Holes
235.9	66.7	203.2	204.5	68	114.3	4+2

### NISSAN

MODEL	START Y.	END Y.
ALMERA II (N16)	2000/04	
ALMERA II Hatchback (N16)	2000/01	
BLUEBIRD (U13. U14)	1991/09	2002/05
PRIMERA (P11)	1996/06	2001/12
PRIMERA Hatchback (P11)	1996/06	2002/07
SENTRA V (B15)	1998/07	2007/12

