

# new to range

SPEED TO MARKET SECOND TO NONE

**AYD**<sup>®</sup>  
AUTOMOTIVE INDUSTRY



# BRAKE WITH CONFIDENCE



SAFETY

PERFORMANCE

OEM Standards

AYD QUALITY

[www.aydtr.com](http://www.aydtr.com)

**500**  
Top 500 Industrial Enterprises of Turkey

**TİM**  
TÜRKİYE'NİN İLK 1000 İHRACATÇI FİRMASI  
TOP 1000 EXPORTERS OF TURKEY

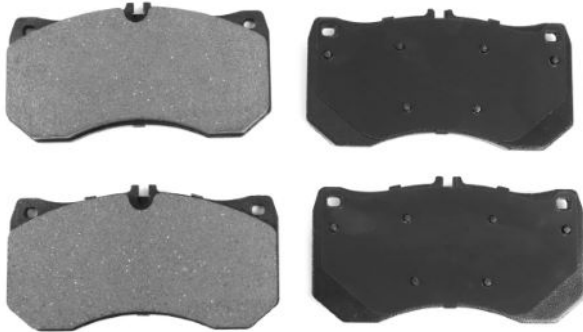
**JULY 2024**

## INDEX

<b>AUDI</b> .....	<b>3</b>
<b>CHEVROLET</b> .....	<b>4</b>
<b>FORD</b> .....	<b>5</b>
<b>INFINITI</b> .....	<b>6</b>
<b>JAGUAR</b> .....	<b>7</b>
<b>MERCEDES BENZ</b> .....	<b>8</b>
<b>MINI</b> .....	<b>9</b>
<b>MITSUBISHI</b> .....	<b>10</b>
<b>NISSAN</b> .....	<b>11-12</b>
<b>SUBARU</b> .....	<b>13</b>
<b>TOYATA</b> .....	<b>14</b>
<b>VOLKSWAGEN</b> .....	<b>15</b>

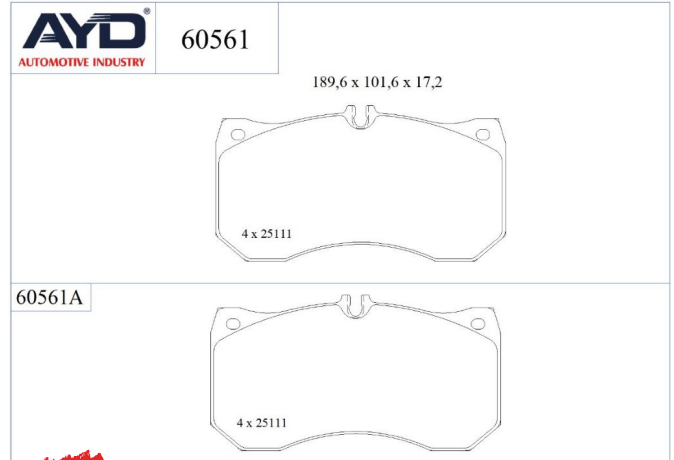
## BRAKE PAD

11-60561



• Front Axle

OE:  
4H0698151C



• Safety  
• Performance  
• OEM Standarts  
• AYD Quality

WVA :25111

### Technical Specifications:

Code	Shim	Wear Indicator	Indicator Type	Piston Spring	Compression Spring	Rivet	Clips	Bolt	Plastic Plug	Kit
60561A	4	-	-	-	-	-	-	-	-	-

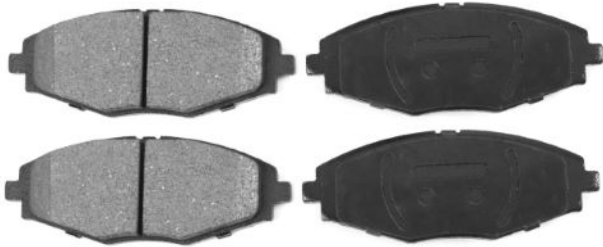
## AUDI

MODEL	START D.	END Y.
A4 B9 Avant (8W5. 8WD)	2015/08	
A5 (F53. F5P)	2016/06	
A5 Sportback (F5A. F5F)	2016/06	
A6 Allroad C7 (4GH. 4GJ)	2012/01	2018/09
A6 Allroad C8 (4AH)	2018/11	
A6 C7 (4G2. 4GC)	2010/11	2018/09
A6 C7 Avant (4G5. 4GD)	2011/05	2018/09
A6 C8 (4A2)	2018/02	



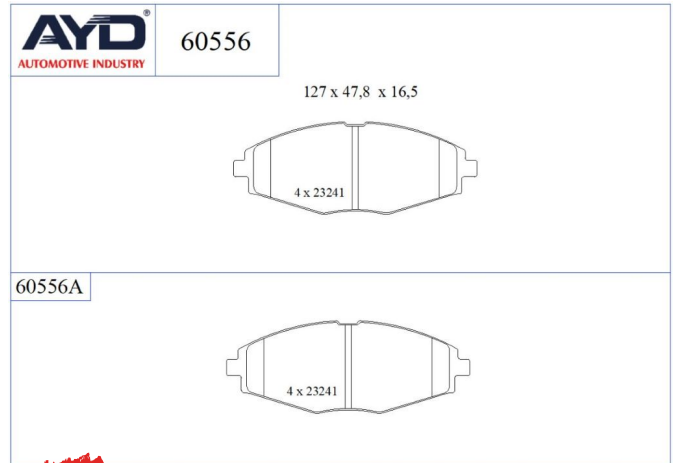
## BRAKE PAD

11-60556



• Front Axle

OE:  
96446175



· Safety  
· Performance  
· OEM Standarts  
· AYD Quality

WVA :23241

### Technical Specifications:

Code	Shim	Wear Indicator	Indicator Type	Piston Spring	Compression Spring	Rivet	Clips	Bolt	Plastic Plug	Kit
60556A	4	-	-	-	-	-	-	-	-	-

## CHEVROLET

MODEL	START D.	END Y.
MATIZ (M200. M250)	2005/03	
SPARK	2005/05	
SPARK (M150)	2000/09	2006/12





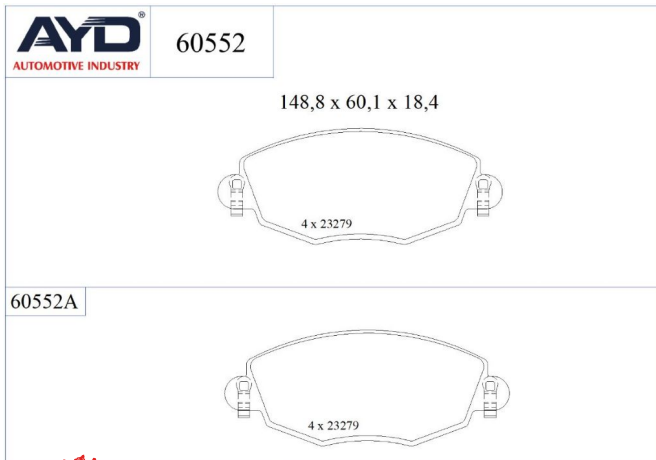
## BRAKE PAD

11-60552



• Front Axle

OE:  
1204843 / 1S712K021AA / 1522062



· Safety  
· Performance  
· OEM Standarts  
· AYD Quality

WVA :23279

### Technical Specifications:

Code	Shim	Wear Indicator	Indicator Type	Piston Spring	Compression Spring	Rivet	Clips	Bolt	Plastic Plug	Kit
60552A	4	-	-	-	8	-	-	-	-	-

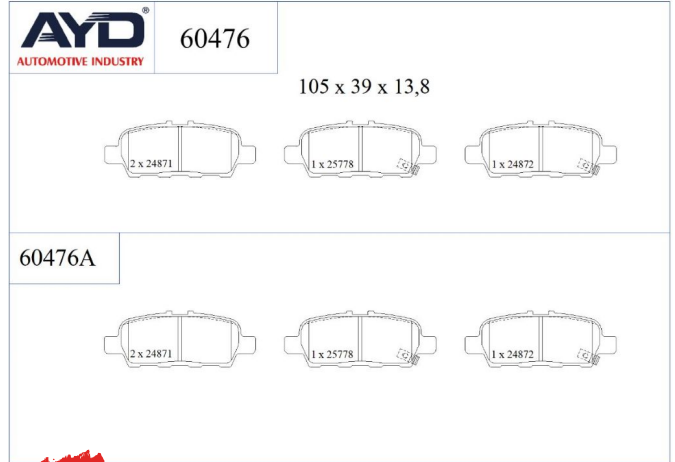
## FORD

MODEL	START D.	END Y.
MONDEO III (B5Y)	2000/10	2007/03
MONDEO III Saloon (B4Y)	2000/10	2007/09
MONDEO III Turnier (BWY)	2000/10	2007/03



## BRAKE PAD

11-60476



• Rear Axle

OE:  
D40609N00A

• Safety  
• Performance  
• OEM Standarts  
• AYD Quality

WVA :24871-25778-24872

### Technical Specifications:

Code	Shim	Wear Indicator	Indicator Type	Piston Spring	Compression Spring	Rivet	Clips	Bolt	Plastic Plug	Kit
60476A	4	2	-	-	-	-	-	-	-	-

## INFINITI

MODEL	START D.	END Y.
JX SUV (L50)	2012/09	



## BRAKE PAD

11-60552



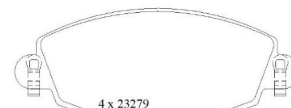
• Front Axle

OE:  
C2S12638 / C2S17129 / C2S48022

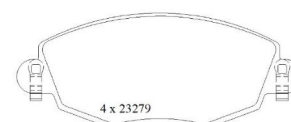
**AYD**  
AUTOMOTIVE INDUSTRY

60552

148,8 x 60,1 x 18,4



60552A



• Safety  
• Performance  
• OEM Standards  
• AYD Quality

WVA :23279

### Technical Specifications:

Code	Shim	Wear Indicator	Indicator Type	Piston Spring	Compression Spring	Rivet	Clips	Bolt	Plastic Plug	Kit
60552A	4	-	-	-	8	-	-	-	-	-

## JAGUAR

MODEL	START D.	END Y.
X-TYPE I (X400)	2001/03	2009/11
X-TYPE I Estate (X400)	2003/09	2009/12



## BRAKE PAD

11-60555



• Front Axle

OE:  
1694200220



· Safety  
· Performance  
· OEM Standarts  
· AYD Quality

WVA :24077

### Technical Specifications:

Code	Shim	Wear Indicator	Indicator Type	Piston Spring	Compression Spring	Rivet	Clips	Bolt	Plastic Plug	Kit
60555A	4	-	-	-	-	-	-	-	-	-

## MERCEDES-BENZ

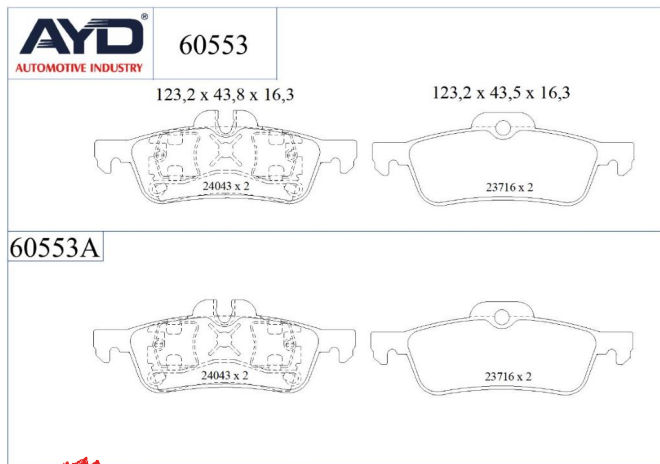
MODEL	START D.	END Y.
A-CLASS (W169)	2004/04	2012/06





## BRAKE PAD

11-60553



• Rear Axle

OE:  
34211503077 / 34212166621 /  
34216761288

• Safety  
• Performance  
• OEM Standarts  
• AYD Quality

WVA :24043-23716

### Technical Specifications:

Code	Shim	Wear Indicator	Indicator Type	Piston Spring	Compression Spring	Rivet	Clips	Bolt	Plastic Plug	Kit
60553A	4	-	-	-	-	-	2	-	-	-

## MINI

MODEL	START D.	END Y.
MINI (R50. R53)	2001/06	2006/09
MINI (R56)	2005/11	2014/01
MINI Convertible (R52)	2004/04	2008/07



## BRAKE PAD

11-60551



<b>AYD</b> AUTOMOTIVE INDUSTRY	60551	137,7 x 59,4 x 17
	60551A	

• Rear Axle

OE:  
MN102134 / MN116286 / MZ690143

· Safety  
· Performance  
· OEM Standards  
· AYD Quality

WVA :23558

### Technical Specifications:

Code	Shim	Wear Indicator	Indicator Type	Piston Spring	Compression Spring	Rivet	Clips	Bolt	Plastic Plug	Kit
60551A	4	2	-	-	-	-	-	-	-	-

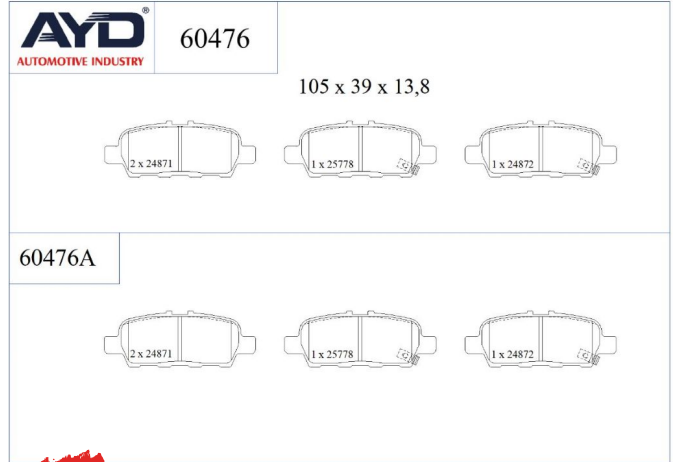
## MITSUBISHI

MODEL	START D.	END Y.
GRANDIS (NA_W)	2003/03	2011/12



## BRAKE PAD

11-60476



• Rear Axle

OE:  
D40609N00A

· Safety  
· Performance  
· OEM Standarts  
· AYD Quality

WVA :24871-25778-24872

### Technical Specifications:

Code	Shim	Wear Indicator	Indicator Type	Piston Spring	Compression Spring	Rivet	Clips	Bolt	Plastic Plug	Kit
60476A	4	2	-	-	-	-	-	-	-	-

## NISSAN

MODEL	START D.	END Y.
350Z Coupe (Z33)	2002/09	2009/12
350Z Roadster (Z33)	2002/09	2009/12
ALTIMA (L32)	2006/10	2013/07
ALTIMA (L33)	2012/05	
ALTIMA Coupe (CL32)	2006/10	2013/12
BLUEBIRD SYLPHY / SYLPHY III (B17)	2012/07	
CUBE (Z12)	2007/09	
ELGRAND (E51)	2000/08	2010/12



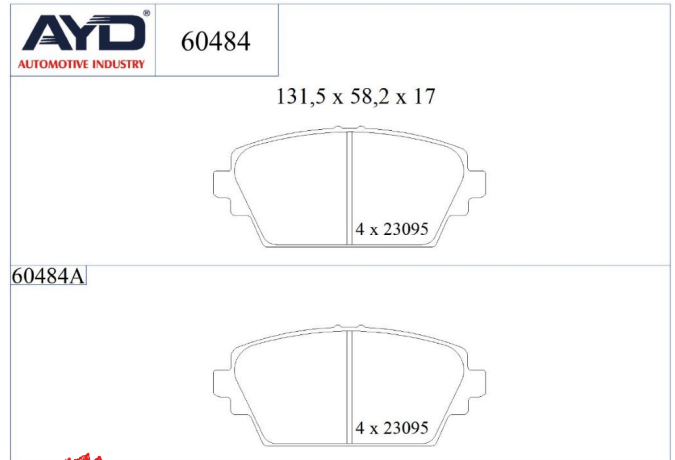
## BRAKE PAD

11-60484



• Front Axle

OE:  
410604U126



60484A

WVA :23095

· Safety  
· Performance  
· OEM Standarts  
· AYD Quality

### Technical Specifications:

Code	Shim	Wear Indicator	Indicator Type	Piston Spring	Compression Spring	Rivet	Clips	Bolt	Plastic Plug	Kit
60484A	4	-	-	-	-	-	-	-	-	-

## NISSAN

MODEL	START D.	END Y.
ALMERA TINO (V10)	1998/12	2006/02
PRIMERA (P12)	2002/01	
PRIMERA Estate (WP12)	2002/01	
PRIMERA Hatchback (P12)	2002/01	



## BRAKE PAD

11-60551



• Rear Axle

OE:  
26233AE000 / 26296AC030 /  
26296AC040



• Safety  
• Performance  
• OEM Standarts  
• AYD Quality

WVA :23558

### Technical Specifications:

Code	Shim	Wear Indicator	Indicator Type	Piston Spring	Compression Spring	Rivet	Clips	Bolt	Plastic Plug	Kit
60551A	4	2	-	-	-	-	-	-	-	-

## SUBARU

MODEL	START D.	END Y.
FORESTER (SF_)	1997/03	2002/09
IMPREZA Coupe (GFC)	1993/01	2000/12
IMPREZA Estate (GF)	1992/08	2000/12
IMPREZA Estate (GG)	2000/10	2008/12
IMPREZA Saloon (GC)	1992/08	2001/09
IMPREZA Saloon (GD)	1999/09	2009/06
LEGACY II (BD)	1994/01	1999/10
LEGACY II Estate (BG)	1994/02	1999/12





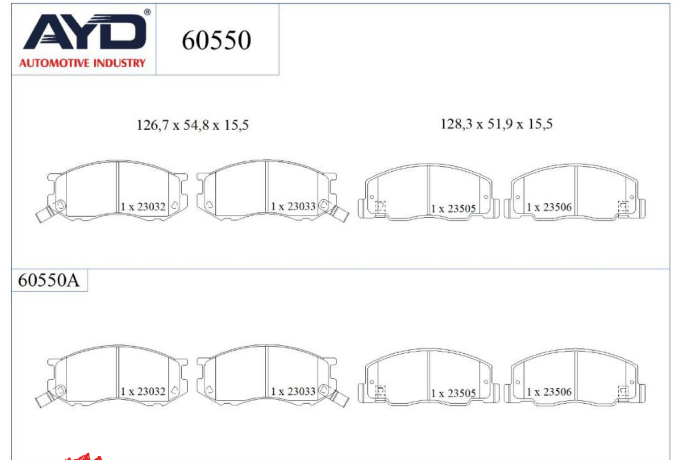
## BRAKE PAD

11-60550



• Front Axle

OE:  
044650B030 / 044650B060 /  
0446528340



· Safety  
· Performance  
· OEM Standarts  
· AYD Quality

**WVA :23032-23033-23505-23506**

### Technical Specifications:

Code	Shim	Wear Indicator	Indicator Type	Piston Spring	Compression Spring	Rivet	Clips	Bolt	Plastic Plug	Kit
60550A	4	2	-	-	-	-	-	-	-	-

## TOYOTA

MODEL	START D.	END Y.
ESTIMA EMINA / LUCIDA (_R1_ _R2_)	1990/05	1999/12
LITEACE Bus	1996/10	2002/08
PREVIA I (_R1_ _R2_)	1990/01	2000/08



## BRAKE PAD

11-60549



• Front Axle

OE:  
701698151A / 701698151F /  
701698151H



• Safety  
• Performance  
• OEM Standards  
• AYD Quality

WVA :21635-20651

### Technical Specifications:

Code	Shim	Wear Indicator	Indicator Type	Piston Spring	Compression Spring	Rivet	Clips	Bolt	Plastic Plug	Kit
60549A	4	-	-	-	4	-	-	-	-	-

## VW

MODEL	START D.	END Y.
TRANSPORTER T4 Bus(70B.70C.7DB.7DK.70J.70K.7DC. 7DJ)	1990/09	2004/08
TRANSPORTER T4 Platform/Chassis(70E.70L.70M.7DE.7DL.7D)	1990/07	2003/04
TRANSPORTER T4 Van (70A. 70H. 7DA. 7DH)	1990/07	2003/04

