

new to range

SPEED TO MARKET SECOND TO NONE

AYD[®]
AUTOMOTIVE INDUSTRY



BRAKE WITH CONFIDENCE



SAFETY

PERFORMANCE

OEM Standards

AYD QUALITY

www.aydtr.com

500
Top 500 Industrial Enterprises of Turkey

TİM
TÜRKİYE'NİN İLK 1000 İHRACATÇI FİRMASI
TOP 1000 EXPORTERS OF TURKEY

JUNE 2024

INDEX

ACURA	3
AUDI	4
BMW	5-6
DAIHATSU	7
FIAT	8
HONDA	9-10
HYUNDAI	11
INFINITI	12
LAND ROVER	13
MINI	14
NISSAN	15-16
OPEL	17-18
PEUGEOT	19
SAAB	20
SUBARU	21
SUZUKI	22
TOYATA	23-24
VAUXHALL	25
VOLVO	26

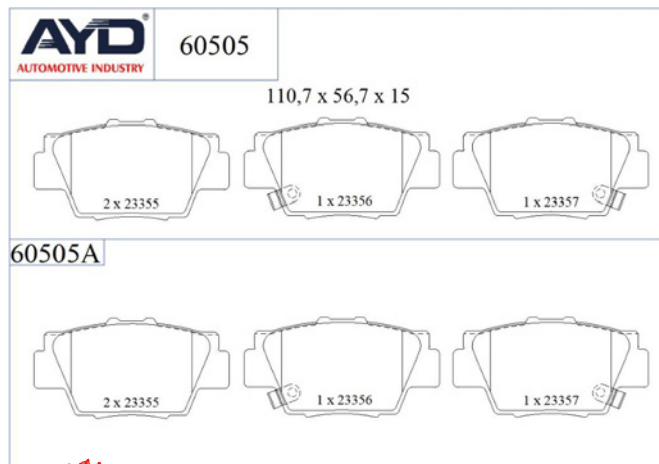
BRAKE PAD

11-60505



• Rear Axle

OE:
43022SL0J03



• Safety
• Performance
• OEM Standards
• AYD Quality

WVA :23355-23356-23357

Technical Specifications:

Code	Shim	Wear Indicator	Indicator Type	Piston Spring	Compression Spring	Rivet	Clips	Bolt	Plastic Plug	Kit
60505A	4	2	-	-	-	-	-	-	-	-

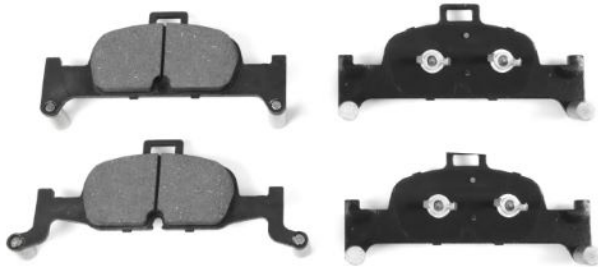
ACURA

MODEL	START D.	END Y.
MDX (YD1)	2000/08	2006/09
NSX	1990/01	2005/12
NSX Targa (NA1)	1995/01	2005/12



BRAKE PAD

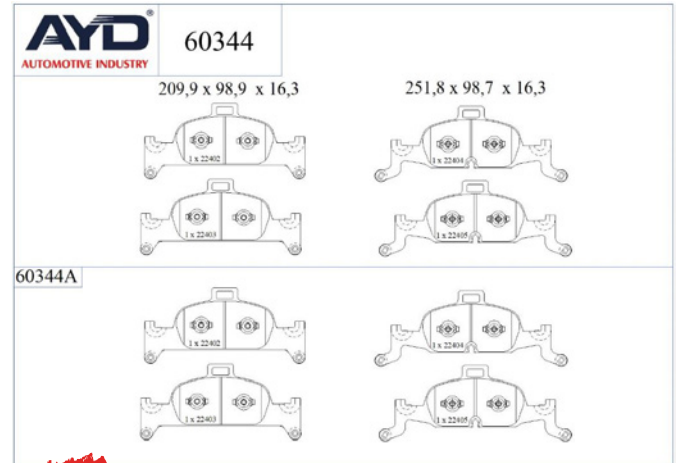
11-60344



• Front Axle

OE:
4K0698151AB
4K0698151E
4K698151E

• Safety
• Performance
• OEM Standarts
• AYD Quality



WVA :22402-22403-22404-22405

Technical Specifications:

Code	Shim	Wear Indicator	Indicator Type	Piston Spring	Compression Spring	Rivet	Clips	Bolt	Plastic Plug	Kit
60344A	4	-	-	8	-	-	-	-	-	-

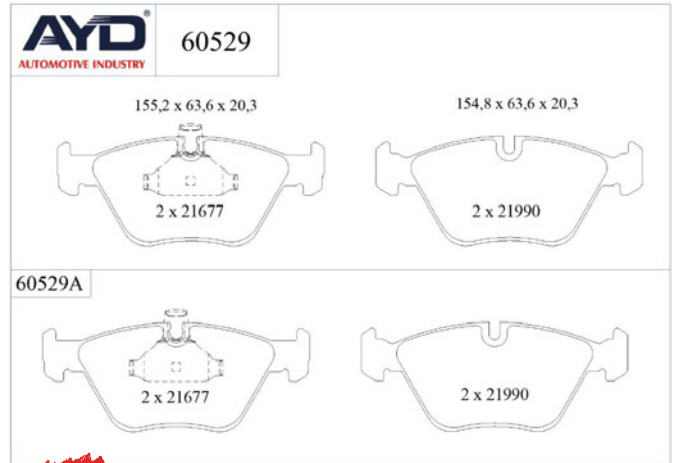
AUDI

MODEL	START D.	END Y.
A4 Allroad B9 (8WH. 8WJ)	2016/01	
A4 B9 (8W2. 8WC)	2015/05	
A4 B9 Avant (8W5. 8WD)	2015/08	
A5 (F53. F5P)	2016/06	
A5 Convertible (F57. F5E)	2016/11	
A5 Sportback (F5A. F5F)	2016/06	
A6 Allroad C8 (4AH)	2018/11	
A6 C8 (4A2)	2018/02	



BRAKE PAD

11-60529



• Front Axle

OE:
34111164627
34111164629
34112157586

• Safety
• Performance
• OEM Standards
• AYD Quality

WVA :21677-21990

Technical Specifications:

Code	Shim	Wear Indicator	Indicator Type	Piston Spring	Compression Spring	Rivet	Clips	Bolt	Plastic Plug	Kit
60529A	4	-	-	2	-	-	-	-	-	-

BMW

MODEL	START D.	END Y.
5 (E39)	1995/09	2003/07
5 Touring (E39)	1996/09	2004/06



BRAKE PAD

11-60548



• Front Axle

OE:
34116860017
34106874034



• Safety
• Performance
• OEM Standarts
• AYD Quality

WVA :22187-22188

Technical Specifications:

Code	Shim	Wear Indicator	Indicator Type	Piston Spring	Compression Spring	Rivet	Clips	Bolt	Plastic Plug	Kit
60548A	4	-	-	-	8	-	-	4	-	-

BMW

MODEL	START D.	END Y.
2 Active Tourer (F45)	2013/11	2021/10
2 Active Tourer Van (F45)	2013/11	2021/10
2 Gran Tourer (F46)	2014/07	
X2 (F39)	2017/11	



BRAKE PAD

11-60504



• Front Axle

OE:
0449197202
0449197202000
0449197213



• Safety
• Performance
• OEM Standarts
• AYD Quality

WVA :23494-23495-23496

Technical Specifications:

Code	Shim	Wear Indicator	Indicator Type	Piston Spring	Compression Spring	Rivet	Clips	Bolt	Plastic Plug	Kit
60504A	4	2	-	-	-	-	-	-	-	-

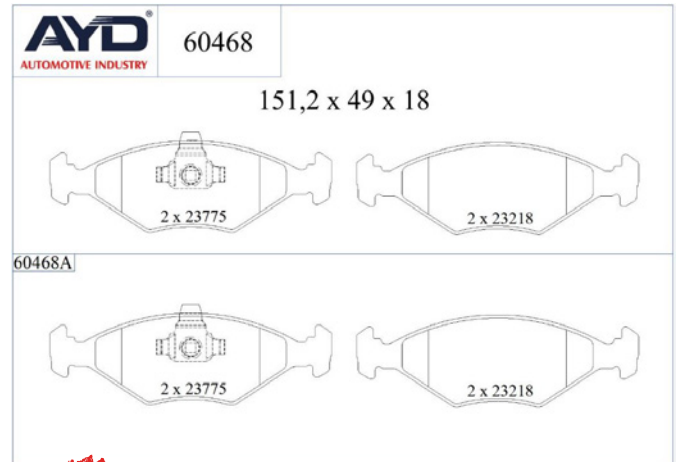
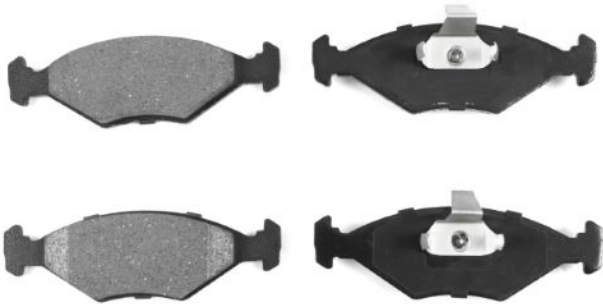
DAIHATSU

MODEL	START D.	END Y.
CUORE V (L7_)	1998/10	2003/05
HIJET Bus (S32_V. S33_V)	2004/12	
HIJET Platform/Chassis	2004/12	
HIJET Van (S32_V. S33_V)	2005/05	
OPTI I (L300. L310)	1992/05	1998/10



BRAKE PAD

11-60468



· Rear Axle

OE:
71738158

· Safety
· Performance
· OEM Standarts
· AYD Quality

WVA :23775-23218

Technical Specifications:

Code	Shim	Wear Indicator	Indicator Type	Piston Spring	Compression Spring	Rivet	Clips	Bolt	Plastic Plug	Kit
60468A	4	-	-	2	-	-	-	-	-	-

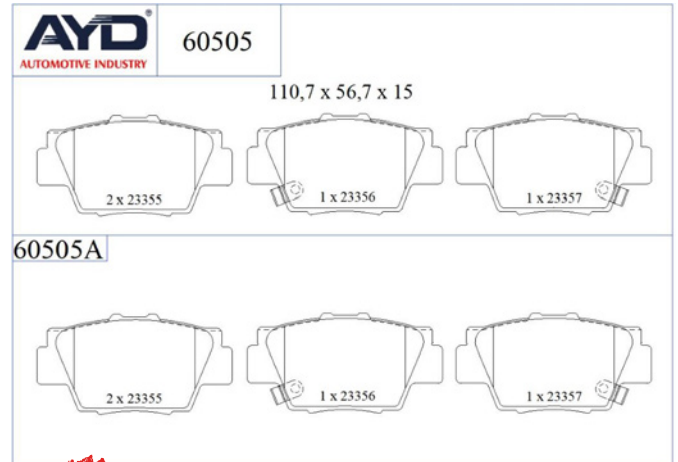
FIAT

MODEL	START D.	END Y.
PALIO (178_. 171_)	1996/04	
PALIO Weekend (178_. 173_. 373_. 374_. 171_)	1996/04	
SIENA (178_. 172_)	1996/04	2016/12



BRAKE PAD

11-60505



• Rear Axle

OE:
430225600000

· Safety
· Performance
· OEM Standarts
· AYD Quality

WVA :23355-23356-23357

Technical Specifications:

Code	Shim	Wear Indicator	Indicator Type	Piston Spring	Compression Spring	Rivet	Clips	Bolt	Plastic Plug	Kit
60505A	4	2	-	-	-	-	-	-	-	-

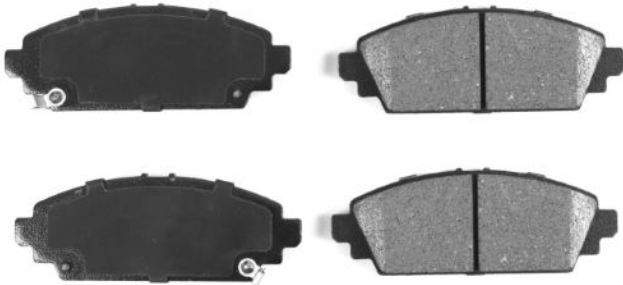
HONDA

MODEL	START D.	END Y.
NSX I Convertible (NA)	1995/03	2005/09
NSX I Coupe (NA)	1990/06	2005/09
ODYSSEY MPV (RA_)	1995/10	2000/10



BRAKE PAD

11-60526



• Front Axle

OE:
45022S1AE62
45022S1AE63
45022S1AE80

· Safety
· Performance
· OEM Standarts
· AYD Quality

WVA :23096-23529-23528

Technical Specifications:

Code	Shim	Wear Indicator	Indicator Type	Piston Spring	Compression Spring	Rivet	Clips	Bolt	Plastic Plug	Kit
60526A	4	2	-	-	-	-	-	-	-	-

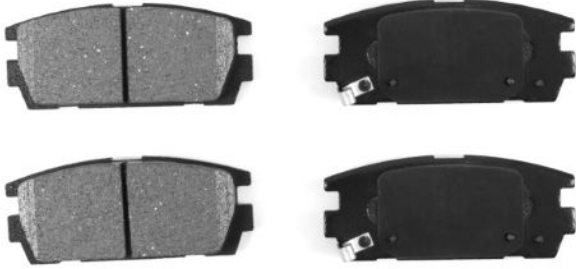
HONDA

MODEL	START D.	END Y.
ACCORD VI (CK. CG. CH. CF)	1997/03	2003/12
ACCORD VI Hatchback (CH. CL)	1999/12	2002/12
CIVIC VII Hatchback (EU. EP. EV)	2000/01	2006/02



BRAKE PAD

11-60528



• Rear Axle

OE:
58302H1A00
58302H1A10



• Safety
• Performance
• OEM Standarts
• AYD Quality

WVA :23813-24201-24202

Technical Specifications:

Code	Shim	Wear Indicator	Indicator Type	Piston Spring	Compression Spring	Rivet	Clips	Bolt	Plastic Plug	Kit
60528A	4	2	-	-	-	-	-	-	-	-

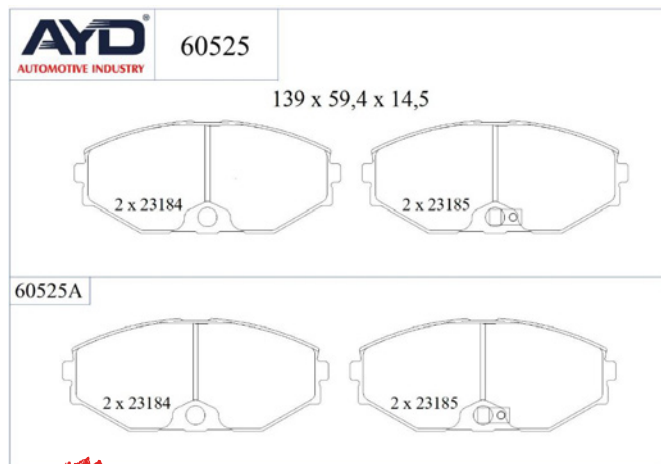
HYUNDAI

MODEL	START D.	END Y.
TERRACAN (HP)	2001/06	2008/03
TERRACAN (HP)	2001/02	2008/03



BRAKE PAD

11-60525



• Front Axle

OE:
4106066U91
D106066U91
D106M5P690

• Safety
• Performance
• OEM Standards
• AYD Quality

WVA :23184-23185

Technical Specifications:

Code	Shim	Wear Indicator	Indicator Type	Piston Spring	Compression Spring	Rivet	Clips	Bolt	Plastic Plug	Kit
60525A	4	2	-	-	-	-	-	-	-	-

INFINITI

MODEL	START D.	END Y.
J30	1992/01	1997/12
Q45 I	1989/01	1996/12



BRAKE PAD

11-60502



• Front Axle

OE:
RTC3348
STC2950



• Safety
• Performance
• OEM Standarts
• AYD Quality

WVA :20904

Technical Specifications:

Code	Shim	Wear Indicator	Indicator Type	Piston Spring	Compression Spring	Rivet	Clips	Bolt	Plastic Plug	Kit
60502A	4	-	-	-	-	-	-	-	-	-

LAND ROVER

MODEL	START D.	END Y.
110/127 (LDH)	1983/09	1990/12
90 I (LDV)	1984/01	1990/08
RANGE ROVER I	1969/10	1996/04



BRAKE PAD

11-60548



• Front Axle

OE:
34106863293
34106885503



WVA :22187-22188

• Safety
• Performance
• OEM Standarts
• AYD Quality

Technical Specifications:

Code	Shim	Wear Indicator	Indicator Type	Piston Spring	Compression Spring	Rivet	Clips	Bolt	Plastic Plug	Kit
60548A	4	-	-	-	8	-	-	4	-	-

MINI

MODEL	START D.	END Y.
MINI (F55)	2013/09	
MINI (F56)	2013/12	
MINI CLUBMAN (F54)	2014/11	
MINI Convertible (F57)	2014/11	
MINI COUNTRYMAN (F60)	2016/10	



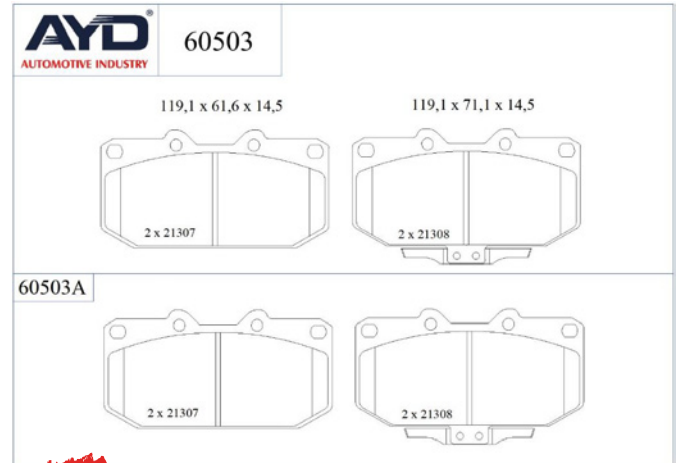
BRAKE PAD

11-60503



• Front Axle

OE:
4106030P93



• Safety
• Performance
• OEM Standarts
• AYD Quality

WVA :21307-21308

Technical Specifications:

Code	Shim	Wear Indicator	Indicator Type	Piston Spring	Compression Spring	Rivet	Clips	Bolt	Plastic Plug	Kit
60503A	4	2	-	-	-	-	-	-	-	-

NISSAN

MODEL	START D.	END Y.
300ZX (Z32)	1989/09	2000/12
SILVIA (S15)	1999/09	2006/07



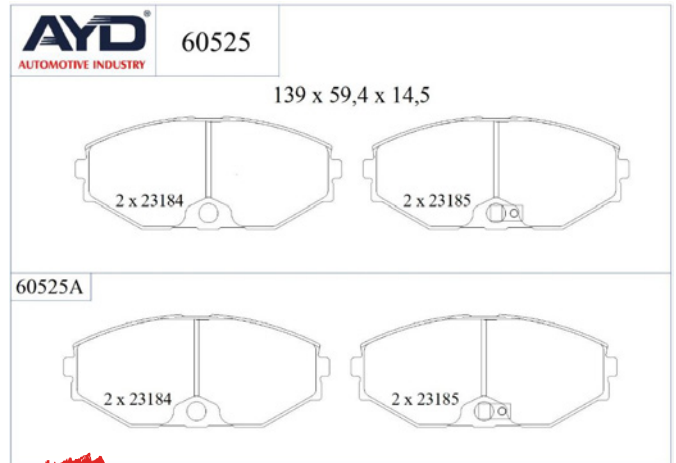
BRAKE PAD

11-60525



• Front Axle

OE:
410600P693
410600P690
410600P691



• Safety
• Performance
• OEM Standarts
• AYD Quality

WVA :23184-23185

Technical Specifications:

Code	Shim	Wear Indicator	Indicator Type	Piston Spring	Compression Spring	Rivet	Clips	Bolt	Plastic Plug	Kit
60525A	4	2	-	-	-	-	-	-	-	-

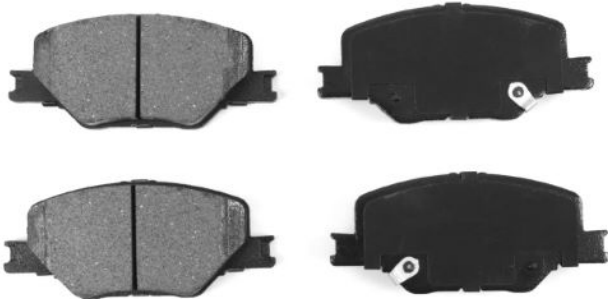
NISSAN

MODEL	START D.	END Y.
CEDRIC X (Y34)	1999/05	2004/12
CEFIRO III Saloon (A33)	1999/01	2007/12
INFINITI Q45 (G50)	1993/07	1997/01
LEOPARD (Y33)	1995/10	2001/08
MAXIMA / MAXIMA QX V (A33)	1999/04	2003/11
PRAIRIE LIBERTY (_M12)	1998/11	2004/12
STAGEA (WC34)	1996/09	2001/10



BRAKE PAD

11-60430



• Front Axle

OE:
84124408



WVA :22838-22839-22840

· Safety
· Performance
· OEM Standarts
· AYD Quality

Technical Specifications:

Code	Shim	Wear Indicator	Indicator Type	Piston Spring	Compression Spring	Rivet	Clips	Bolt	Plastic Plug	Kit
60430A	4	2	-	-	-	-	-	-	-	-

OPEL

MODEL	START D.	END Y.
INSIGNIA B Country Tourer (Z18)	2017/06	
INSIGNIA B Grand Sport (Z18)	2017/03	
INSIGNIA B Sports Tourer (Z18)	2017/03	



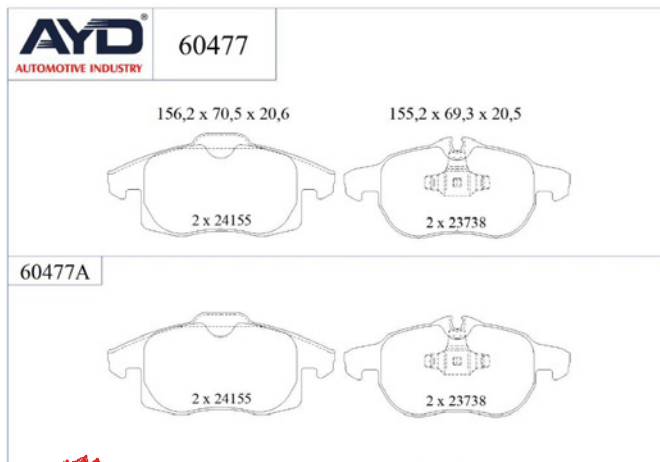
BRAKE PAD

11-60477



• Front Axle

OE:
1605137



· Safety
· Performance
· OEM Standarts
· AYD Quality

WVA :24155-23738

Technical Specifications:

Code	Shim	Wear Indicator	Indicator Type	Piston Spring	Compression Spring	Rivet	Clips	Bolt	Plastic Plug	Kit
60477A	4	-	-	2	-	-	-	-	-	-

OPEL

MODEL	START D.	END Y.
ASTRA H (A04)	2004/01	2014/05
ASTRA H GTC (A04)	2005/03	2010/10
SIGNUM Hatchback (Z03)	2003/05	2008/12
VECTRA C (Z02)	2002/04	2009/01
VECTRA C Estate (Z02)	2003/10	2009/01
VECTRA C GTS (Z02)	2002/08	2009/01
ZAFIRA / ZAFIRA FAMILY B (A05)	2005/07	2019/05



BRAKE PAD

11-60527



• Rear Axle

OE:
1619790380
4254A8

• Safety
• Performance
• OEM Standards
• AYD Quality

WVA :23482-25218

Technical Specifications:

Code	Shim	Wear Indicator	Indicator Type	Piston Spring	Compression Spring	Rivet	Clips	Bolt	Plastic Plug	Kit
60527A	4	-	-	-	2	-	-	-	-	-

PEUGEOT

MODEL	START D.	END Y.
508 I (8D_)	2010/11	2018/12
508 SW Estate Van (8E_)	2011/11	
508 SW I (8E_)	2010/11	2018/12



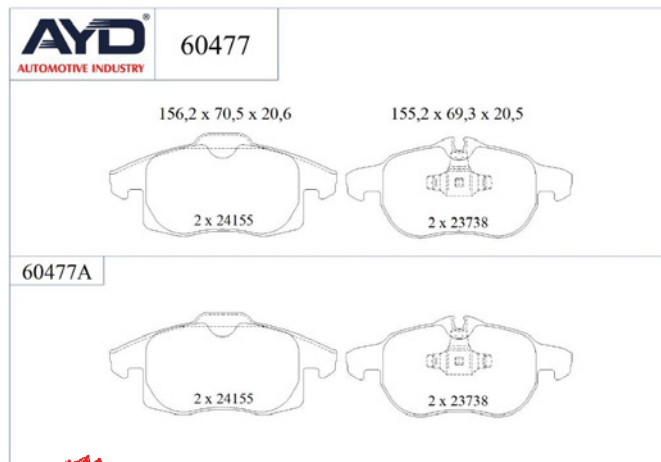
BRAKE PAD

11-60477



• Front Axle

OE:
93185752



• Safety
• Performance
• OEM Standarts
• AYD Quality

WVA :24155-23738

Technical Specifications:

Code	Shim	Wear Indicator	Indicator Type	Piston Spring	Compression Spring	Rivet	Clips	Bolt	Plastic Plug	Kit
60477A	4	-	-	2	-	-	-	-	-	-

SAAB

MODEL	START D.	END Y.
9-3 (YS3D)	1998/02	2003/08
9-3 (YS3F. E79. D79. D75)	2002/09	2015/02
9-3 Cabriolet (YS3D)	1998/02	2003/08
9-3 Convertible (YS3F)	2003/08	2015/02
9-3 Estate (E50)	2005/03	2015/02
9-3X (YS3)	2009/02	2015/02



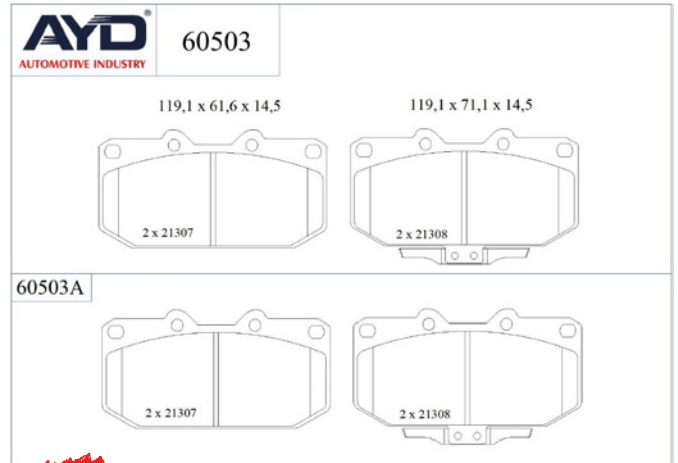
BRAKE PAD

11-60503



• Front Axle

OE:
26296AE121



• Safety
• Performance
• OEM Standarts
• AYD Quality

WVA :21307-21308

Technical Specifications:

Code	Shim	Wear Indicator	Indicator Type	Piston Spring	Compression Spring	Rivet	Clips	Bolt	Plastic Plug	Kit
60503A	4	2	-	-	-	-	-	-	-	-

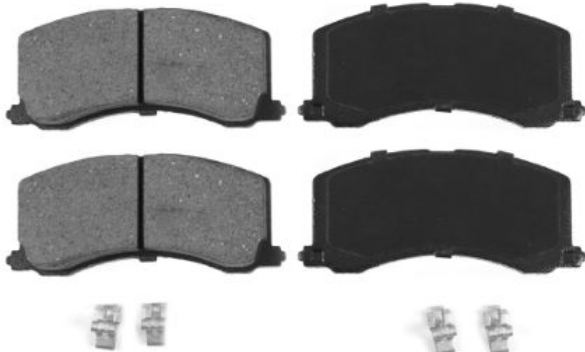
SUBARU

MODEL	START D.	END Y.
IMPREZA Coupe (GFC)	1993/01	2000/12
IMPREZA Estate (GG)	2000/10	2008/12
IMPREZA Saloon (GC)	1992/08	2001/09
IMPREZA Saloon (GD)	1999/09	2009/06



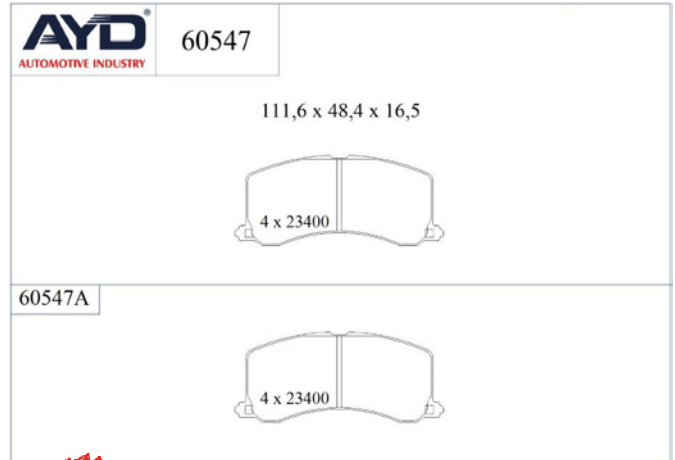
BRAKE PAD

11-60547



• Front Axle

OE:
5510261G62



• Safety
• Performance
• OEM Standarts
• AYD Quality

WVA :23400

Technical Specifications:

Code	Shim	Wear Indicator	Indicator Type	Piston Spring	Compression Spring	Rivet	Clips	Bolt	Plastic Plug	Kit
60547A	4	2	-	-	-	-	-	-	-	-

SUZUKI

MODEL	START D.	END Y.
BALENO (EG)	1995/03	2009/12
BALENO Estate (EG)	1995/04	2005/04
BALENO Hatchback (EG)	1995/03	2002/05



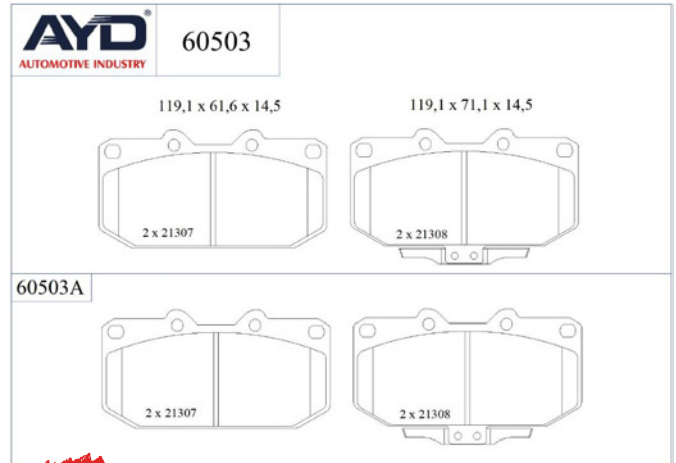
BRAKE PAD

11-60503



• Front Axle

OE:
0446552360



• Safety
• Performance
• OEM Standarts
• AYD Quality

WVA :21307-21308

Technical Specifications:

Code	Shim	Wear Indicator	Indicator Type	Piston Spring	Compression Spring	Rivet	Clips	Bolt	Plastic Plug	Kit
60503A	4	2	-	-	-	-	-	-	-	-

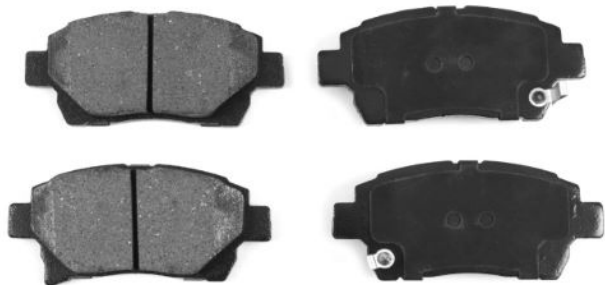
TOYOTA

MODEL	START D.	END Y.
YARIS (_P13_)	2010/12	



BRAKE PAD

11-60507



• Front Axle

OE:
0446574020
0446574030



• Safety
• Performance
• OEM Standarts
• AYD Quality

WVA :24778-24779-24780-24781

Technical Specifications:

Code	Shim	Wear Indicator	Indicator Type	Piston Spring	Compression Spring	Rivet	Clips	Bolt	Plastic Plug	Kit
60507A	4	2	-	-	-	-	-	-	-	-

TOYOTA

MODEL	START D.	END Y.
ALLION I (_T24_)	2001/06	2007/06
bB I (NCP3_)	2000/01	2005/12
CELICA Coupe (_T23_)	1999/08	2006/03
COROLLA (_E12_)	2001/01	2007/12
COROLLA Estate (_E12_)	2001/03	2008/12
COROLLA Saloon (_E12_)	2000/08	2008/12
COROLLA Verso (_E12_)	2001/07	2007/05
IQ (_J1_)	2008/11	2015/12



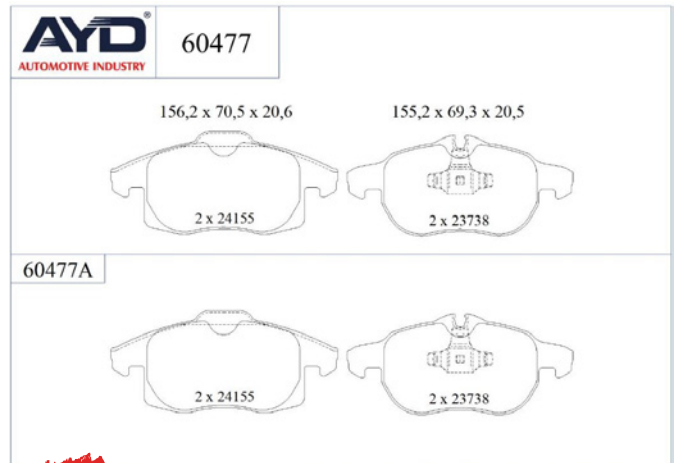
BRAKE PAD

11-60477



• Front Axle

OE:
93185752



· Safety
· Performance
· OEM Standarts
· AYD Quality

WVA :24155-23738

Technical Specifications:

Code	Shim	Wear Indicator	Indicator Type	Piston Spring	Compression Spring	Rivet	Clips	Bolt	Plastic Plug	Kit
60477A	4	-	-	2	-	-	-	-	-	-

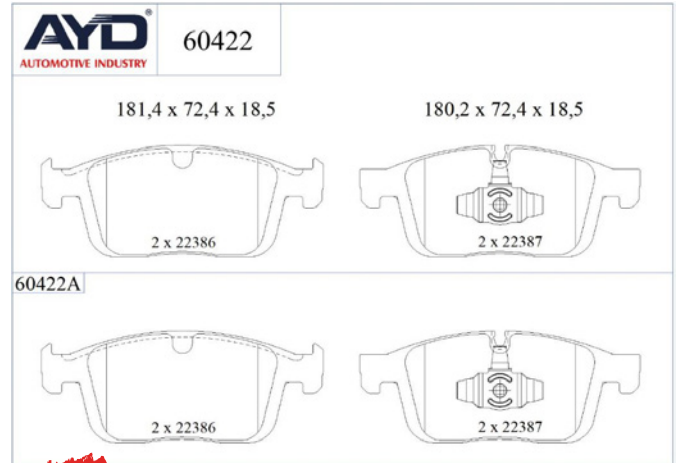
VAUXHALL

MODEL	START D.	END Y.
ASTRA Mk IV (G) Hatchback (T98)	1998/02	2005/05
ASTRA Mk V (H) (A04)	2004/01	2011/03
ASTRA Mk V (H) Sport Hatch (A04)	2005/02	2010/11
SIGNUM (Z03)	2003/03	2008/10
VECTRA Mk II (C) (Z02)	2000/01	2008/10
VECTRA Mk II (C) Estate (Z02)	2003/10	2009/05
VECTRA Mk II (C) GTS (Z02)	2002/08	2009/05
ZAFIRA Mk II (B) (A05)	2005/04	2014/11



BRAKE PAD

11-60422



• Front Axle

OE:
31445986
31445985

· Safety
· Performance
· OEM Standarts
· AYD Quality

WVA :22386-22387

Technical Specifications:

Code	Shim	Wear Indicator	Indicator Type	Piston Spring	Compression Spring	Rivet	Clips	Bolt	Plastic Plug	Kit
60422A	4	-	-	2	-	-	-	-	-	-

VOLVO

MODEL	START D.	END Y.
XC60 I SUV (156)	2008/05	2017/12
XC60 I VAN (156)	2008/05	2017/12

