

# new to range

SPEED TO MARKET SECOND TO NONE

**AYD**<sup>®</sup>  
AUTOMOTIVE INDUSTRY



## BRAKING



# THE DIFFERENCE

**SAFETY**

**PERFORMANCE**

**OEM Standards**

**AYD QUALITY**

[www.aydtr.com](http://www.aydtr.com)



**JUNE 2024**

## INDEX

### BRAKE DISC

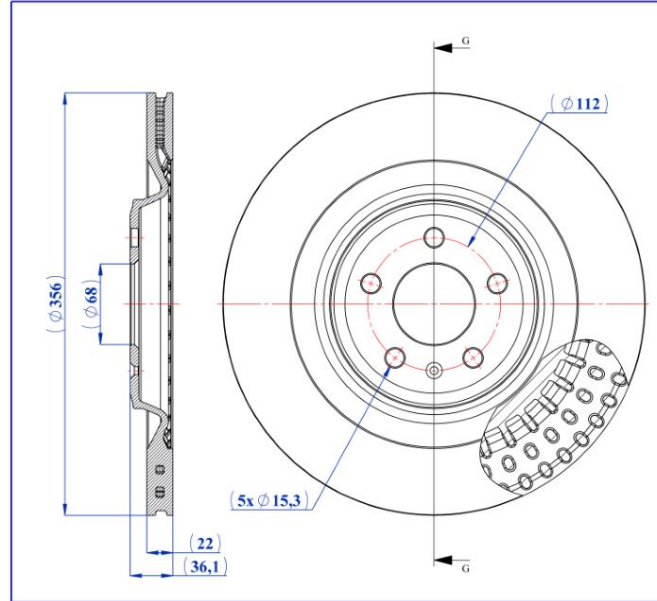
<b>AUDI</b> .....	<b>3</b>
<b>BMW</b> .....	<b>4-7</b>
<b>INFINITI</b> .....	<b>8-9</b>
<b>KIA</b> .....	<b>10</b>
<b>LAND ROVER</b> .....	<b>11-13</b>
<b>MERCEDES BENZ</b> .....	<b>14-18</b>
<b>MINI</b> .....	<b>19</b>
<b>NISSAN</b> .....	<b>20-21</b>
<b>PORSCHE</b> .....	<b>22-31</b>
<b>VOLVO</b> .....	<b>32</b>
<b>VOLKSWAGEN</b> .....	<b>33</b>

## BRAKE DISC

- Rear Axle
- Vented

- Safety
- Performance
- OEM Standards
- AYD Quality

OE:  
4H0615601P  
4H0615601L  
4H0615601F



**AYD**<sup>®</sup>  
AUTOMOTIVE INDUSTRY

AYD NO  
**10-51296**

MATERIAL  
**TYPE-1**

WEIGHT  
**8,56 KG**

BALANCING  
**100 %**



**10-51296**

### Technical Specifications:

Diameter (mm)	Height (mm)	Brake Disc Thickness (mm)	Min. Thickness (mm)	Centering Diameter (mm)	Bolt Hole Circle (mm)	Num. of Holes
356	36.1	22	20	68	112	5+1

## AUDI

MODEL	START Y.	END Y.
A6 Allroad C7 (4GH. 4GJ)	2012/01	2018/09
A6 C7 (4G2. 4GC)	2010/11	2018/09
A6 C7 Avant (4G5. 4GD)	2011/05	2018/09
A7 Sportback (4GA. 4GF)	2010/07	2018/05
A8 D4 (4H2. 4H8. 4HC. 4HL)	2009/11	2018/01



## BRAKE DISC

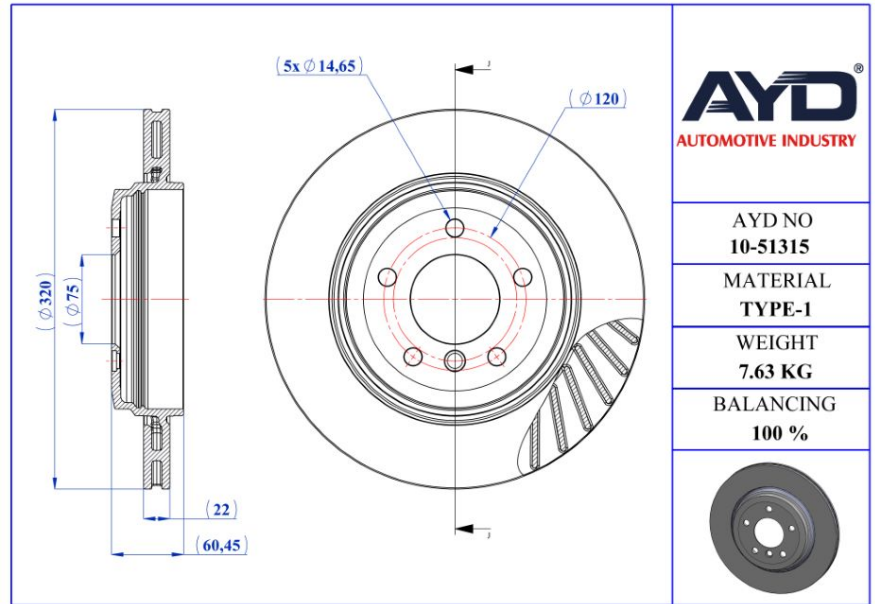
- Rear Axle
- Vented

- Safety
- Performance
- OEM Standarts
- AYD Quality



OE:  
34216864052

**10-51315**



**AYD**<sup>®</sup>  
AUTOMOTIVE INDUSTRY

AYD NO  
**10-51315**

MATERIAL  
**TYPE-1**

WEIGHT  
**7.63 KG**

BALANCING  
**100 %**



### Technical Specifications:

Diameter (mm)	Height (mm)	Brake Disc Thickness (mm)	Min. Thickness (mm)	Centering Diameter (mm)	Bolt Hole Circle (mm)	Num. of Holes
320	60.45	22	20.4	75	120	5+1

## BMW

MODEL	START Y.	END Y.
3 (E46)	1997/12	2005/05
3 Convertible (E46)	2000/04	2007/12
3 Coupe (E46)	1998/12	2006/07
3 Touring (E46)	1999/06	2005/07



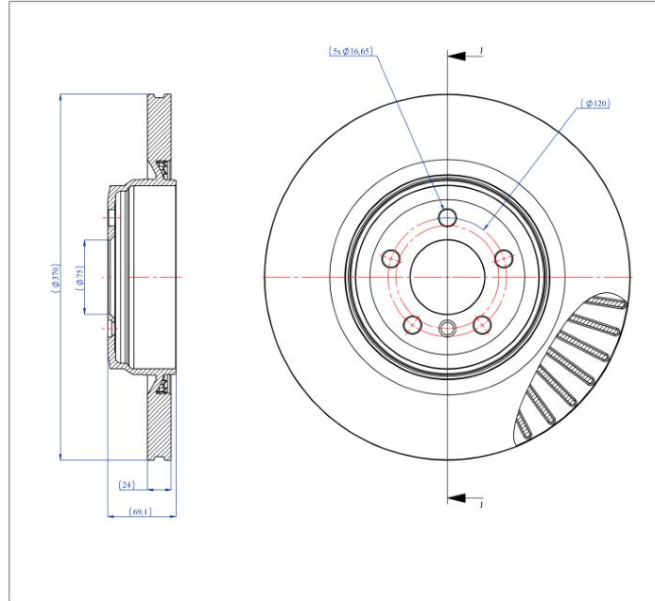
## BRAKE DISC

- Rear Axle
- Vented

- Safety
- Performance
- OEM Standarts
- AYD Quality

OE:  
34216775291  
6775291

**10-51322**



**AYD**<sup>®</sup>  
AUTOMOTIVE INDUSTRY

AYD NO  
**10-51322**

MATERIAL  
**TYPE-1**

WEIGHT  
**10.79 KG**

BALANCING  
**100 %**



### Technical Specifications:

Diameter (mm)	Height (mm)	Brake Disc Thickness (mm)	Min. Thickness (mm)	Centering Diameter (mm)	Bolt Hole Circle (mm)	Num. of Holes
370	69.1	24	22.4	75	120	5+1

## BMW

MODEL	START Y.	END Y.
7 (F01. F02. F03. F04)	2008/02	2015/12

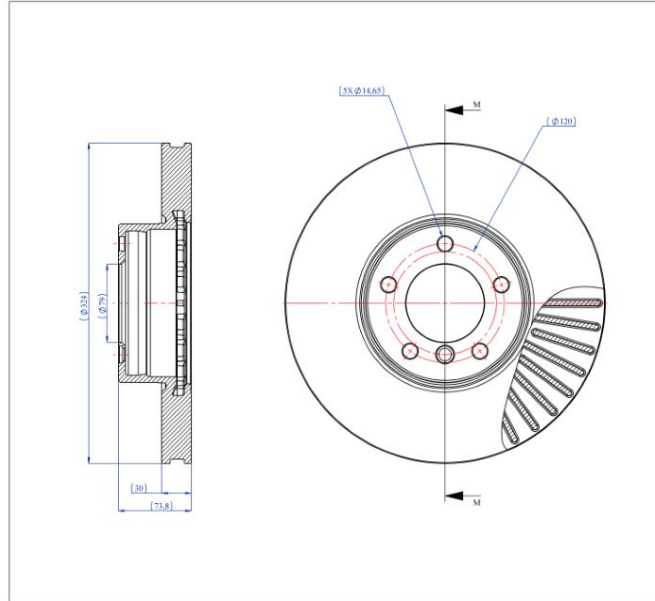


## BRAKE DISC

- Front Axle
- Vented

- Safety
- Performance
- OEM Standards
- AYD Quality

OE:  
34116767059  
34111165859  
34110392525



**AYD**  
AUTOMOTIVE INDUSTRY

AYD NO <b>10-51327</b>
MATERIAL <b>TYPE-1</b>
WEIGHT <b>10.49 KG</b>
BALANCING <b>100 %</b>

**10-51327**

### Technical Specifications:

Diameter (mm)	Height (mm)	Brake Disc Thickness (mm)	Min. Thickness (mm)	Centering Diameter (mm)	Bolt Hole Circle (mm)	Num. of Holes
324	73.8	30	28.4	79	120	5+1

## BMW

MODEL	START Y.	END Y.
5 (E39)	1995/09	2003/07

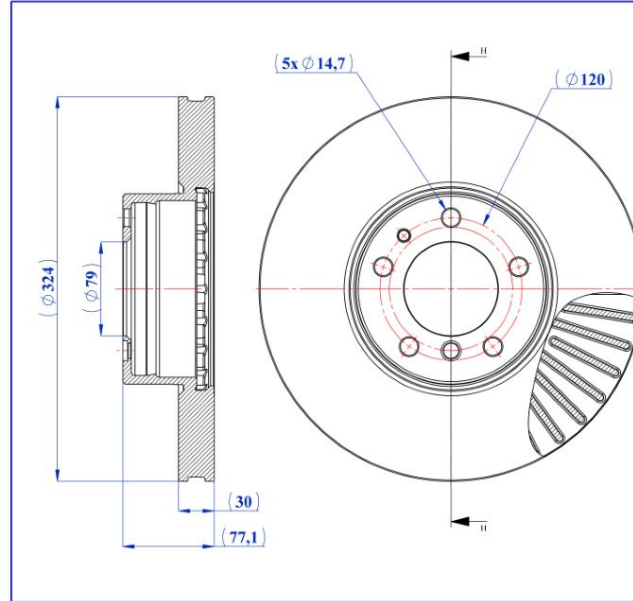


## BRAKE DISC

- Front Axle
- Vented

- Safety
- Performance
- OEM Standards
- AYD Quality

OE:  
34116757747  
34111159602  
34116757746



**AYD**  
AUTOMOTIVE INDUSTRY

AYD NO  
**10-51328**

MATERIAL  
**TYPE-1**

WEIGHT  
**10.62 KG**

BALANCING  
**100 %**



**10-51328**

### Technical Specifications:

Diameter (mm)	Height (mm)	Brake Disc Thickness (mm)	Min. Thickness (mm)	Centering Diameter (mm)	Bolt Hole Circle (mm)	Num. of Holes
324	77.1	30	28.4	79	120	5+2

## BMW

MODEL	START Y.	END Y.
5 (E39)	1995/09	2003/07
5 Touring (E39)	1996/09	2004/06
7 (E32)	1985/03	1994/10
7 (E38)	1994/03	2001/11
8 (E31)	1990/01	1999/12

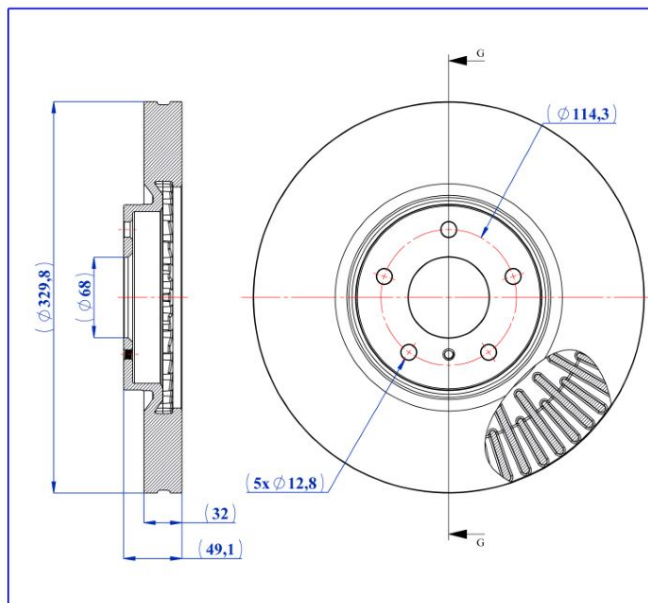
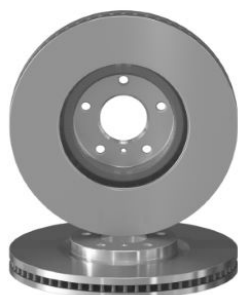


## BRAKE DISC

- Front Axle
- Vented

- Safety
- Performance
- OEM Standarts
- AYD Quality

OE:  
40206JK600  
40206JK60B  
D0206JK60CNW



**AYD**<sup>®</sup>  
AUTOMOTIVE INDUSTRY

AYD NO  
**10-51294**

MATERIAL  
**TYPE-1**

WEIGHT  
**11,76 KG**

BALANCING  
**100 %**



**10-51294**

### Technical Specifications:

Diameter (mm)	Height (mm)	Brake Disc Thickness (mm)	Min. Thickness (mm)	Centering Diameter (mm)	Bolt Hole Circle (mm)	Num. of Holes
329.8	49.1	32	30	68	114.3	5+1

## INFINITI

MODEL	START Y.	END Y.
G Coupe	2007/09	
G Saloon	2007/01	





## BRAKE DISC

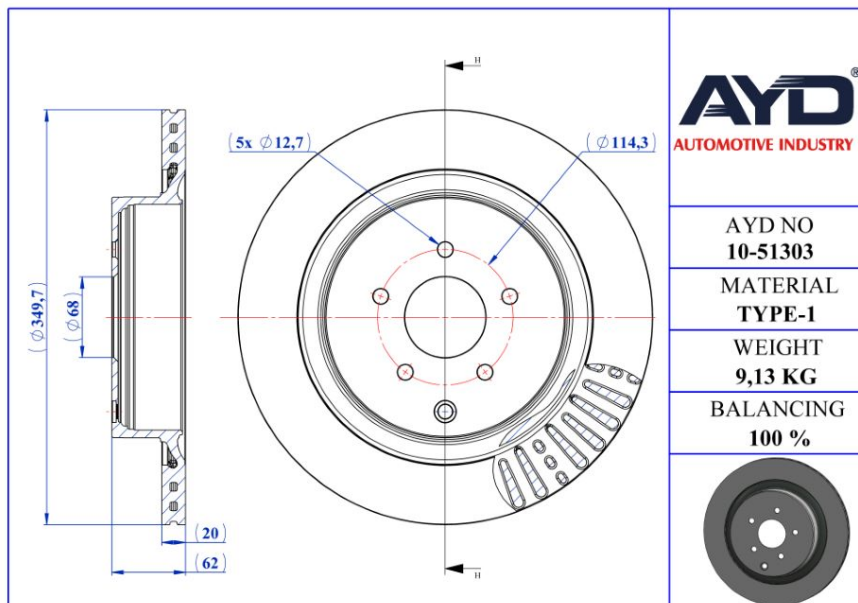
- Rear Axle
- Vented

- Safety
- Performance
- OEM Standards
- AYD Quality



OE:  
432061CA0A

**10-51303**



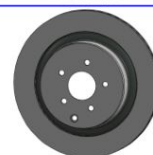
**AYD**  
AUTOMOTIVE INDUSTRY

AYD NO  
**10-51303**

MATERIAL  
**TYPE-1**

WEIGHT  
**9,13 KG**

BALANCING  
**100 %**



### Technical Specifications:

Diameter (mm)	Height (mm)	Brake Disc Thickness (mm)	Min. Thickness (mm)	Centering Diameter (mm)	Bolt Hole Circle (mm)	Num. of Holes
349.7	62	20	18	68	114.3	5+1

## INFINITI

MODEL	START Y.	END Y.
FX	2008/07	
M (Y51)	2010/03	
M37	2010/01	
Q50	2013/04	
Q60 Coupe	2016/09	
Q70 (Y51)	2013/03	
QX70	2013/08	



## BRAKE DISC

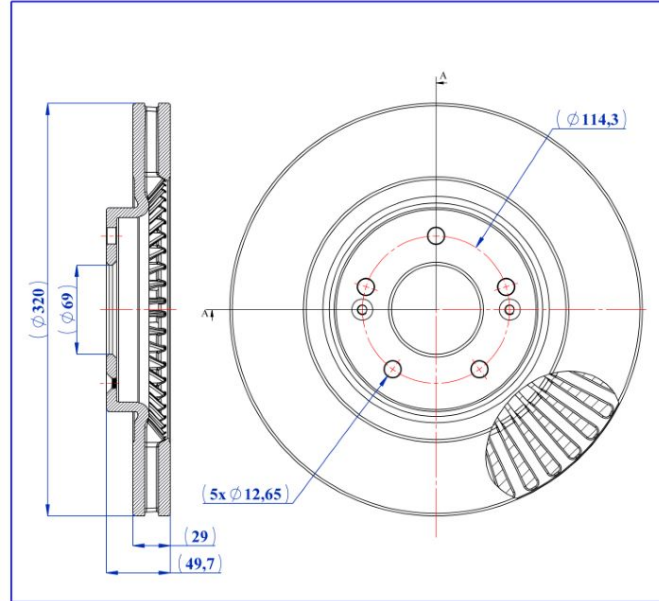
- Front Axle
- Vented

- Safety
- Performance
- OEM Standarts
- AYD Quality



OE:  
51712C6000

**10-51305**



**AYD**<sup>®</sup>  
AUTOMOTIVE INDUSTRY

AYD NO  
**10-51305**

MATERIAL  
**TYPE-1**

WEIGHT  
**10,12 KG**

BALANCING  
**100 %**



### Technical Specifications:

Diameter (mm)	Height (mm)	Brake Disc Thickness (mm)	Min. Thickness (mm)	Centering Diameter (mm)	Bolt Hole Circle (mm)	Num. of Holes
320	49.7	29	26	69	114.3	5+2

## KIA

MODEL	START Y.	END Y.
SORENTO III (UM)	2015/01	

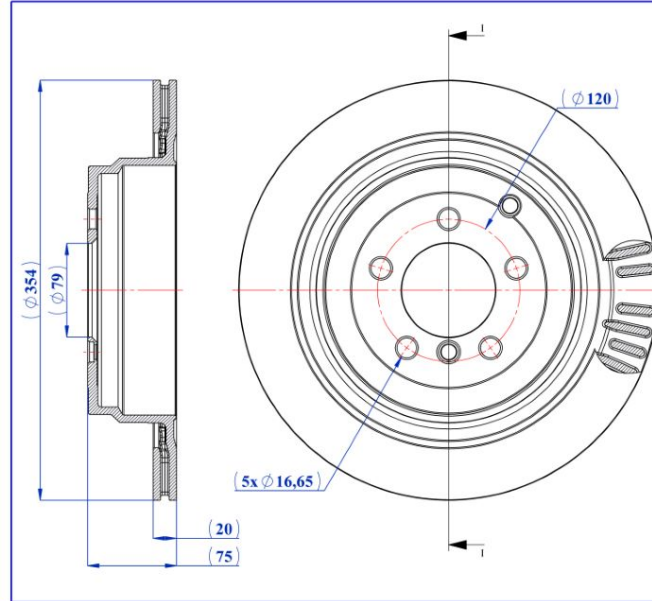


## BRAKE DISC

- Rear Axle
- Vented

- Safety
- Performance
- OEM Standarts
- AYD Quality

OE:  
LR031844  
LR017804  
SDB500201



**AYD**<sup>®</sup>  
AUTOMOTIVE INDUSTRY

AYD NO  
**10-51297**

MATERIAL  
**TYPE-1**

WEIGHT  
**9,31 KG**

BALANCING  
**100 %**



**10-51297**

### Technical Specifications:

Diameter (mm)	Height (mm)	Brake Disc Thickness (mm)	Min. Thickness (mm)	Centering Diameter (mm)	Bolt Hole Circle (mm)	Num. of Holes
354	75	20	17	79	120	5+2

## LAND ROVER

MODEL	START Y.	END Y.
RANGE ROVER III (L322)	2002/03	2012/12

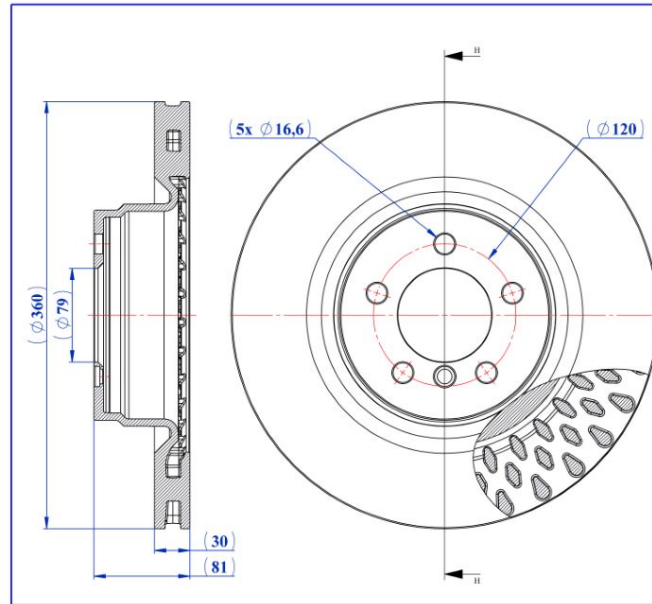


## BRAKE DISC

- Front Axle
- Vented

- Safety
- Performance
- OEM Standarts
- AYD Quality

OE:  
LR031843  
SDB500140  
SDB500192



**AYD**<sup>®</sup>  
AUTOMOTIVE INDUSTRY

AYD NO  
**10-51304**

MATERIAL  
**TYPE-1**

WEIGHT  
**12,25 KG**

BALANCING  
**100 %**



**10-51304**

### Technical Specifications:

Diameter (mm)	Height (mm)	Brake Disc Thickness (mm)	Min. Thickness (mm)	Centering Diameter (mm)	Bolt Hole Circle (mm)	Num. of Holes
360	81	30	27	79	120	5+1

## LAND ROVER

MODEL	START Y.	END Y.
RANGE ROVER III (L322)	2002/03	2012/12

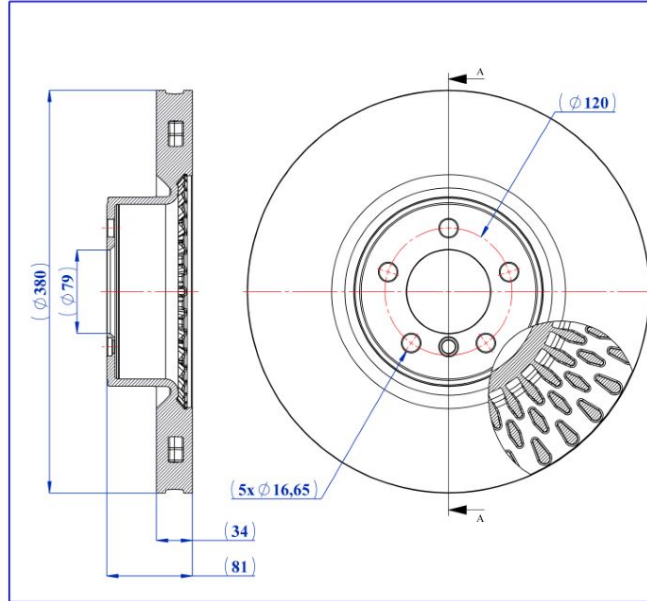


## BRAKE DISC

- Front Axle
- Vented

- Safety
- Performance
- OEM Standarts
- AYD Quality

OE:  
LR031845  
LR011591



**AYD**<sup>®</sup>  
AUTOMOTIVE INDUSTRY

AYD NO  
**10-51319**

MATERIAL  
**TYPE-1**

WEIGHT  
**15,74 KG**

BALANCING  
**100 %**



**10-51319**

### Technical Specifications:

Diameter (mm)	Height (mm)	Brake Disc Thickness (mm)	Min. Thickness (mm)	Centering Diameter (mm)	Bolt Hole Circle (mm)	Num. of Holes
380	81	34	31	79	120	5+1

## LAND ROVER

MODEL	START Y.	END Y.
RANGE ROVER III (L322)	2002/03	2012/12

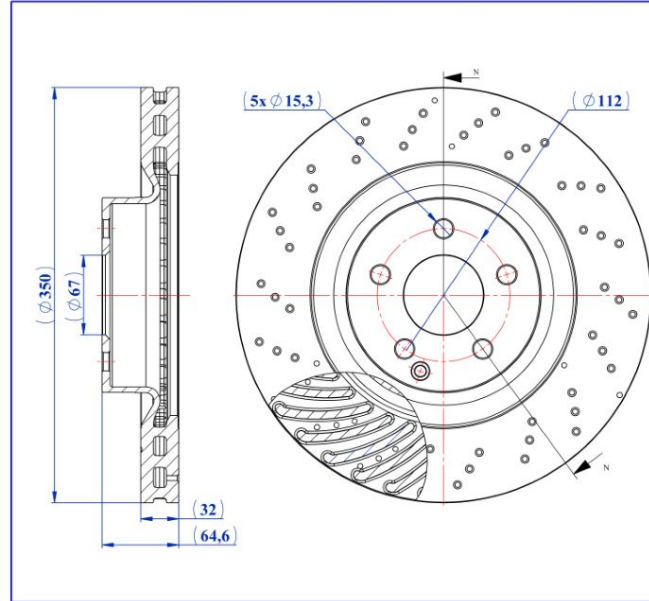


## BRAKE DISC

- Front Axle
- Vented

- Safety
- Performance
- OEM Standarts
- AYD Quality

OE:  
221421161207  
2214211612  
2214211112



AYD NO  
**10-51295**

MATERIAL  
**TYPE-1**

WEIGHT  
**13,07 KG**

BALANCING  
**100 %**



**10-51295**

### Technical Specifications:

Diameter (mm)	Height (mm)	Brake Disc Thickness (mm)	Min. Thickness (mm)	Centering Diameter (mm)	Bolt Hole Circle (mm)	Num. of Holes
350	64.6	32	30	67	112	5+1

## MERCEDES-BENZ

MODEL	START Y.	END Y.
S-CLASS (W221)	2005/09	2013/12

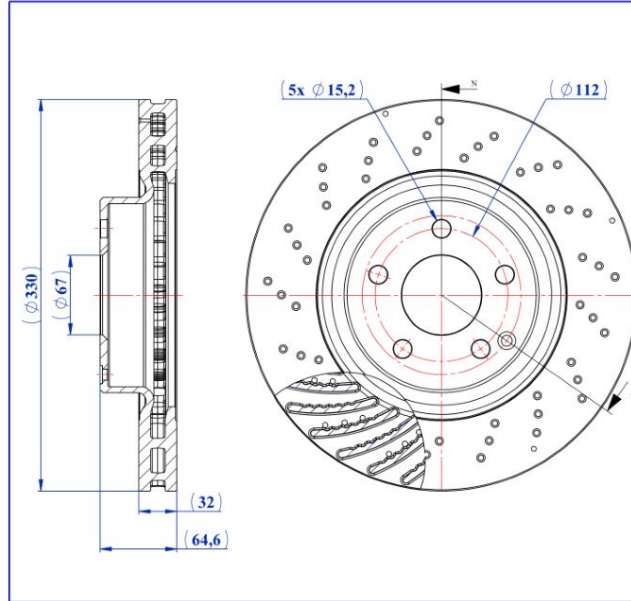


## BRAKE DISC

- Front Axle
- Vented

- Safety
- Performance
- OEM Standarts
- AYD Quality

OE:  
2304210812  
2304210512



**AYD**<sup>®</sup>  
AUTOMOTIVE INDUSTRY

AYD NO  
**10-51299**

MATERIAL  
**TYPE-1**

WEIGHT  
**10,94 KG**

BALANCING  
**100 %**



**10-51299**

### Technical Specifications:

Diameter (mm)	Height (mm)	Brake Disc Thickness (mm)	Min. Thickness (mm)	Centering Diameter (mm)	Bolt Hole Circle (mm)	Num. of Holes
330	64.6	32	30	67	112	5+1

## MERCEDES-BENZ

MODEL	START Y.	END Y.
SL (R230)	2001/10	2012/01

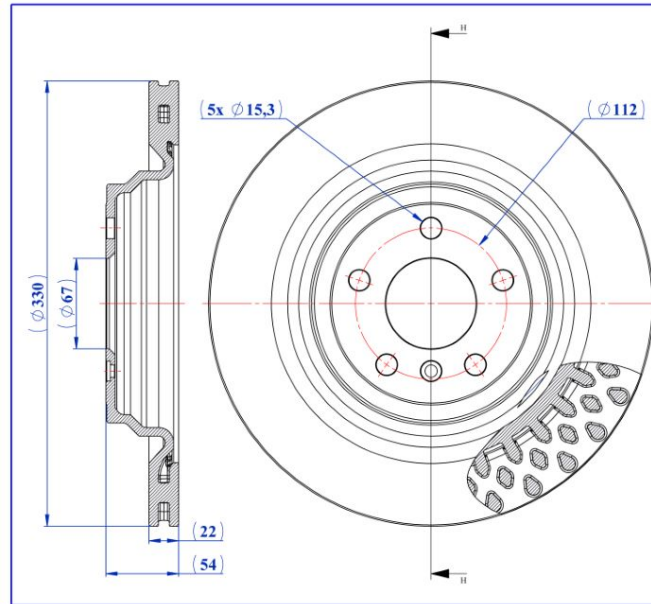


## BRAKE DISC

- Rear Axle
- Vented

- Safety
- Performance
- OEM Standarts
- AYD Quality

OE:  
1664230600  
1664230112



**AYD**<sup>®</sup>  
AUTOMOTIVE INDUSTRY

AYD NO  
**10-51301**

MATERIAL  
**TYPE-1**

WEIGHT  
**7,77 KG**

BALANCING  
**100 %**



**10-51301**

### Technical Specifications:

Diameter (mm)	Height (mm)	Brake Disc Thickness (mm)	Min. Thickness (mm)	Centering Diameter (mm)	Bolt Hole Circle (mm)	Num. of Holes
330	54	22	19.4	67	112	5+1

## MERCEDES-BENZ

MODEL	START Y.	END Y.
GLE (W166)	2015/04	2018/10





## BRAKE DISC

- Front Axle
- Vented

- Safety
- Performance
- OEM Standards
- AYD Quality



OE:  
220421181264

**10-51320**

AYD NO <b>10-51320</b>	
MATERIAL <b>TYPE-1</b>	
WEIGHT <b>11.56 KG</b>	
BALANCING <b>100 %</b>	

### Technical Specifications:

Diameter (mm)	Height (mm)	Brake Disc Thickness (mm)	Min. Thickness (mm)	Centering Diameter (mm)	Bolt Hole Circle (mm)	Num. of Holes
330	47.6	32	30	67	112	5+1

## MERCEDES-BENZ

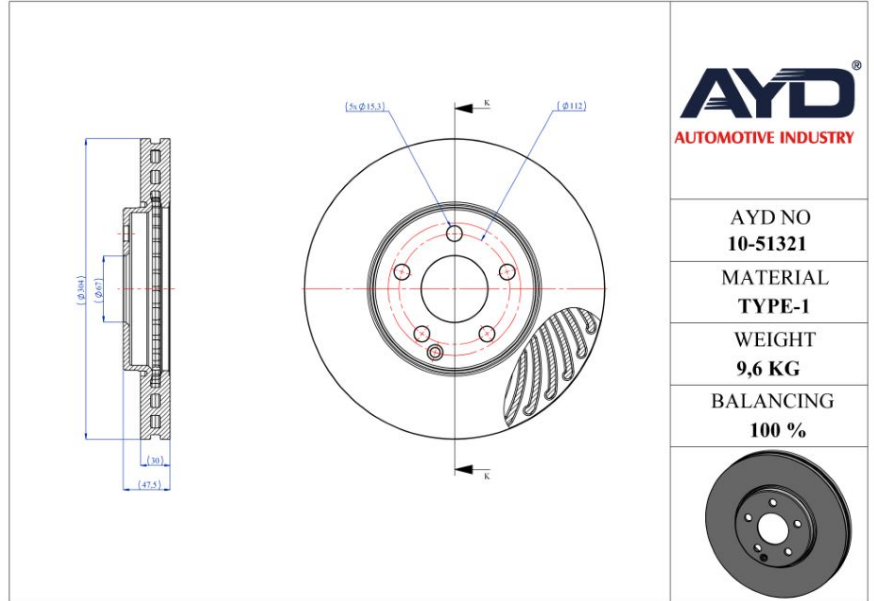
MODEL	START Y.	END Y.
E-CLASS (W211)	2002/03	2009/03
E-CLASS T-Model (S211)	2003/02	2009/07
S-CLASS (W220)	1998/09	2005/08



## BRAKE DISC

- Front Axle
- Vented

- Safety
- Performance
- OEM Standarts
- AYD Quality



**AYD**<sup>®</sup>  
AUTOMOTIVE INDUSTRY

AYD NO  
**10-51321**

MATERIAL  
**TYPE-1**

WEIGHT  
**9,6 KG**

BALANCING  
**100 %**



OE:  
2114211212

**10-51321**

### Technical Specifications:

Diameter (mm)	Height (mm)	Brake Disc Thickness (mm)	Min. Thickness (mm)	Centering Diameter (mm)	Bolt Hole Circle (mm)	Num. of Holes
304	47.5	30	27.4	67	112	5+1

## MERCEDES-BENZ

MODEL	START Y.	END Y.
E-CLASS (W211)	2002/03	2009/03



## BRAKE DISC

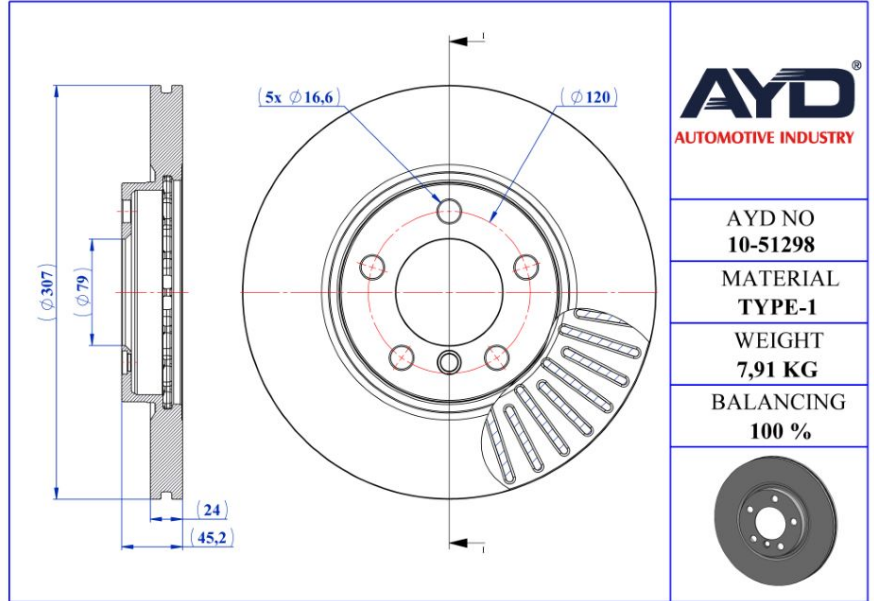
- Front Axle
- Vented

- Safety
- Performance
- OEM Standarts
- AYD Quality



OE:  
34119811538  
34119804829

**10-51298**



**AYD**<sup>®</sup>  
AUTOMOTIVE INDUSTRY

AYD NO  
**10-51298**

MATERIAL  
**TYPE-1**

WEIGHT  
**7,91 KG**

BALANCING  
**100 %**



### Technical Specifications:

Diameter (mm)	Height (mm)	Brake Disc Thickness (mm)	Min. Thickness (mm)	Centering Diameter (mm)	Bolt Hole Circle (mm)	Num. of Holes
307	45.2	24	22.4	79	120	5+1

## MINI

MODEL	START Y.	END Y.
MINI COUNTRYMAN (R60)	2010/08	2016/10

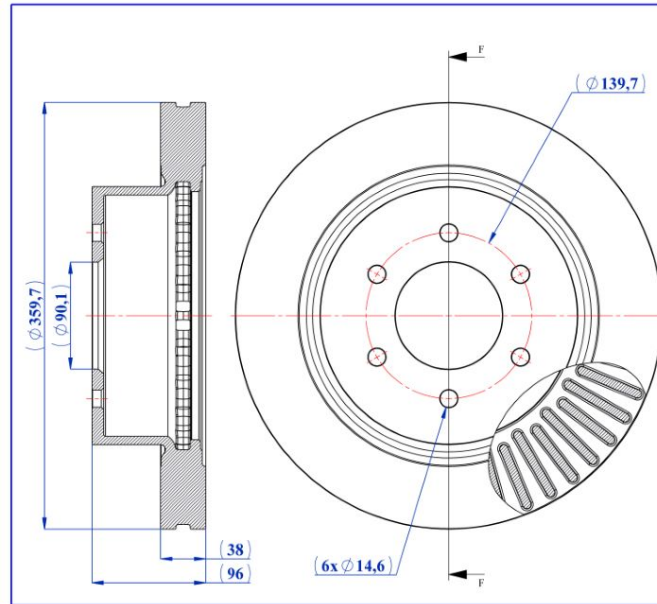


## BRAKE DISC

- Front Axle
- Vented

- Safety
- Performance
- OEM Standards
- AYD Quality

OE:  
402069FV0A  
40206EZ00A  
40206EZ00B



AYD NO  
**10-51300**

MATERIAL  
**TYPE-1**

WEIGHT  
**17,77 KG**

BALANCING  
**100 %**



**10-51300**

### Technical Specifications:

Diameter (mm)	Height (mm)	Brake Disc Thickness (mm)	Min. Thickness (mm)	Centering Diameter (mm)	Bolt Hole Circle (mm)	Num. of Holes
359.7	96	38	36.5	90.1	139.7	6

## NISSAN

MODEL	START Y.	END Y.
TITAN (H61)	2015/09	

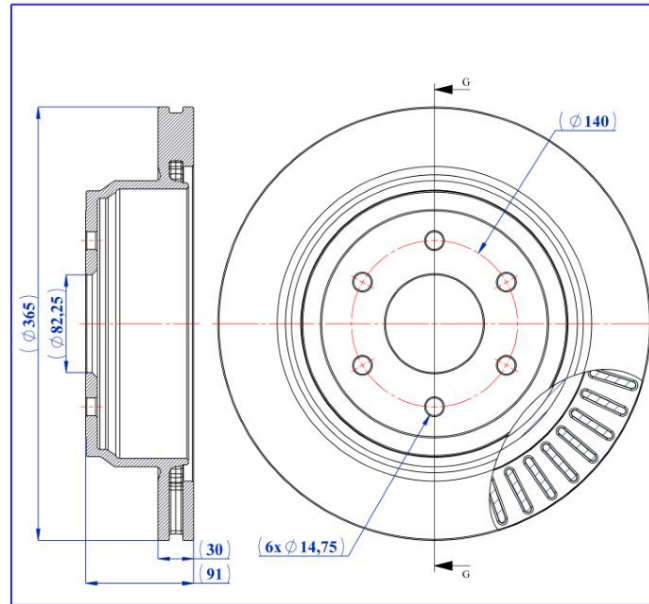


## BRAKE DISC

- Rear Axle
- Vented

- Safety
- Performance
- OEM Standarts
- AYD Quality

OE:  
432069FV0A  
43206EZ00A  
D3206EZ00CNW



**AYD**<sup>®</sup>  
AUTOMOTIVE INDUSTRY

AYD NO  
**10-51302**

MATERIAL  
**TYPE-1**

WEIGHT  
**13,39 KG**

BALANCING  
**100 %**



**10-51302**

### Technical Specifications:

Diameter (mm)	Height (mm)	Brake Disc Thickness (mm)	Min. Thickness (mm)	Centering Diameter (mm)	Bolt Hole Circle (mm)	Num. of Holes
365	91	30	28.5	82.25	140	6

## NISSAN

MODEL	START Y.	END Y.
TITAN (H61)	2015/09	

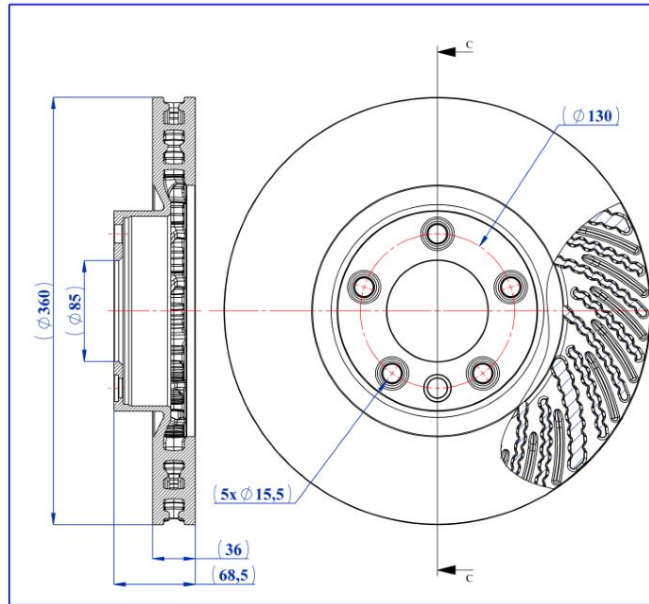


## BRAKE DISC

- Front Axle Left
- Vented

- Safety
- Performance
- OEM Standarts
- AYD Quality

OE:  
95835140301  
95835140300



**AYD**<sup>®</sup>  
AUTOMOTIVE INDUSTRY

AYD NO  
**10-51313**

MATERIAL  
**TYPE-1**

WEIGHT  
**13,58 KG**

BALANCING  
**100 %**



**10-51313**

### Technical Specifications:

Diameter (mm)	Height (mm)	Brake Disc Thickness (mm)	Min. Thickness (mm)	Centering Diameter (mm)	Bolt Hole Circle (mm)	Num. of Holes
360	68.5	36	34	85	130	5+1

## PORSCHE

MODEL	START Y.	END Y.
CAYENNE (9PA)	2002/09	2010/12

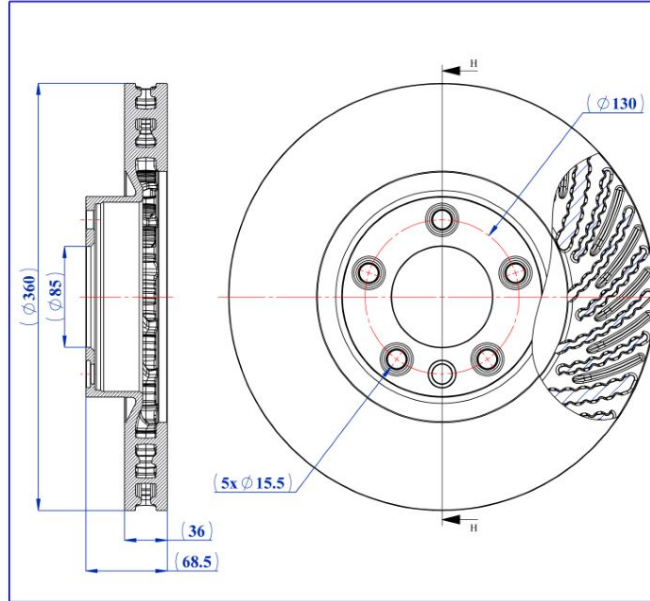
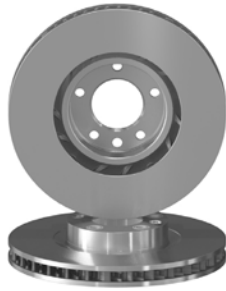


## BRAKE DISC

- Front Axle Right
- Vented

- Safety
- Performance
- OEM Standarts
- AYD Quality

OE:  
95835140401  
95835140400



**AYD**<sup>®</sup>  
AUTOMOTIVE INDUSTRY

AYD NO  
**10-51314**

MATERIAL  
**TYPE-1**

WEIGHT  
**13,58 KG**

BALANCING  
**100 %**



**10-51314**

### Technical Specifications:

Diameter (mm)	Height (mm)	Brake Disc Thickness (mm)	Min. Thickness (mm)	Centering Diameter (mm)	Bolt Hole Circle (mm)	Num. of Holes
360	68.5	36	34	85	130	5+1

## PORSCHE

MODEL	START Y.	END Y.
CAYENNE (9PA)	2002/09	2010/12



## BRAKE DISC

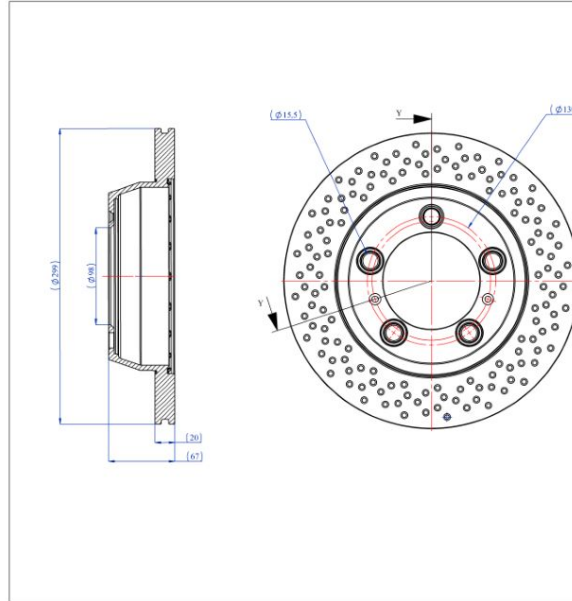
- Rear Axle
- Vented

- Safety
- Performance
- OEM Standarts
- AYD Quality



OE:  
98735240101

**10-51316**



**AYD**<sup>®</sup>  
AUTOMOTIVE INDUSTRY

AYD NO  
**10-51316**

MATERIAL  
**TYPE-1**

WEIGHT  
**5,75 KG**

BALANCING  
**100 %**



### Technical Specifications:

Diameter (mm)	Height (mm)	Brake Disc Thickness (mm)	Min. Thickness (mm)	Centering Diameter (mm)	Bolt Hole Circle (mm)	Num. of Holes
299	67	20	18	98	130	5+2

## PORSCHE

MODEL	START Y.	END Y.
718 BOXSTER (982)	2016/04	
718 CAYMAN (982)	2016/04	
BOXSTER (981)	2012/04	2016/12
BOXSTER (987)	2004/06	2013/12



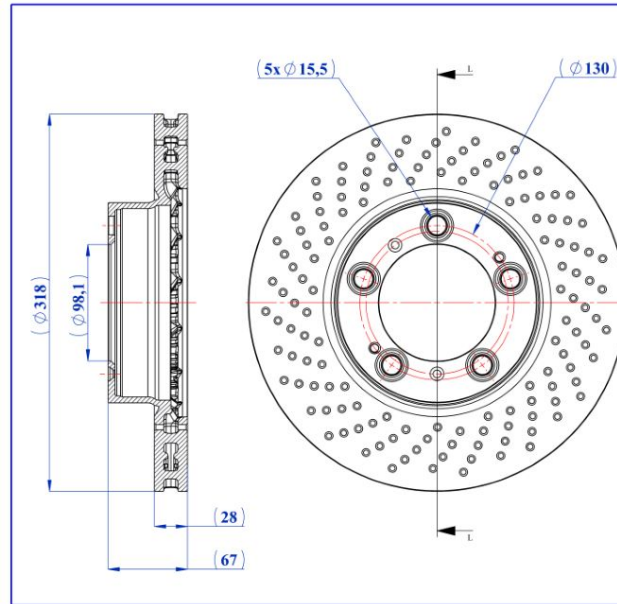


## BRAKE DISC

- Front Axle Left
- Vented

- Safety
- Performance
- OEM Standarts
- AYD Quality

OE:  
99635140501  
99635103103  
99735103100



**AYD**<sup>®</sup>  
AUTOMOTIVE INDUSTRY

AYD NO  
**10-51317**

MATERIAL  
**TYPE-1**

WEIGHT  
**8.68 KG**

BALANCING  
**100 %**



**10-51317**

### Technical Specifications:

Diameter (mm)	Height (mm)	Brake Disc Thickness (mm)	Min. Thickness (mm)	Centering Diameter (mm)	Bolt Hole Circle (mm)	Num. of Holes
318	67	28	26	98.1	130	5+4

## PORSCHE

MODEL	START Y.	END Y.
911 (996)	1997/08	2005/09
911 (997)	2004/07	2013/12
911 Convertible (996)	1998/02	2005/08
911 Convertible (997)	2005/04	2013/12
911 Targa (996)	2001/12	2005/08
911 Targa (997)	2006/07	2012/12
BOXSTER (986)	1996/09	2004/12
BOXSTER (987)	2004/06	2013/12
BOXSTER Spyder (987)	2007/09	2011/12
CAYMAN (987)	2005/11	2013/12



## BRAKE DISC

- Front Axle Right
- Vented

- Safety
- Performance
- OEM Standards
- AYD Quality

OE:  
99635140601  
99635140600  
99635140602



**AYD**  
AUTOMOTIVE INDUSTRY

---

AYD NO  
**10-51318**

---

MATERIAL  
**TYPE-1**

---

WEIGHT  
**8.68 KG**

---

BALANCING  
**100 %**

**10-51318**

### Technical Specifications:

Diameter (mm)	Height (mm)	Brake Disc Thickness (mm)	Min. Thickness (mm)	Centering Diameter (mm)	Bolt Hole Circle (mm)	Num. of Holes
318	67	28	26	98.1	130	5+4

## PORSCHE

MODEL	START Y.	END Y.
911 (996)	1997/08	2005/09
911 (997)	2004/07	2013/12
911 Convertible (996)	1998/02	2005/08
911 Convertible (997)	2005/04	2013/12
911 Targa (996)	2001/12	2005/08
911 Targa (997)	2006/07	2012/12
BOXSTER (986)	1996/09	2004/12
BOXSTER (987)	2004/06	2013/12
BOXSTER Spyder (987)	2007/09	2011/12
CAYMAN (987)	2005/11	2013/12

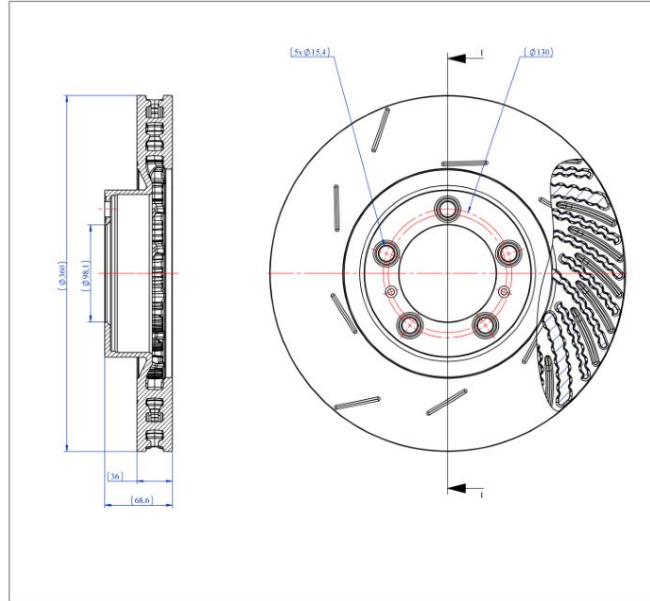
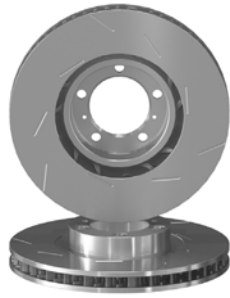


## BRAKE DISC

- Front Axle Left
- Vented

- Safety
- Performance
- OEM Standarts
- AYD Quality

OE:  
298615301B  
97035140300  
97035140301



**AYD**<sup>®</sup>  
AUTOMOTIVE INDUSTRY

AYD NO  
**10-51323**

MATERIAL  
**TYPE-1**

WEIGHT  
**13.33 KG**

BALANCING  
**100 %**



**10-51323**

### Technical Specifications:

Diameter (mm)	Height (mm)	Brake Disc Thickness (mm)	Min. Thickness (mm)	Centering Diameter (mm)	Bolt Hole Circle (mm)	Num. of Holes
360	68.6	36	34	98.1	130	5+2

## PORSCHE

MODEL	START Y.	END Y.
PANAMERA (970)	2009/03	2017/12

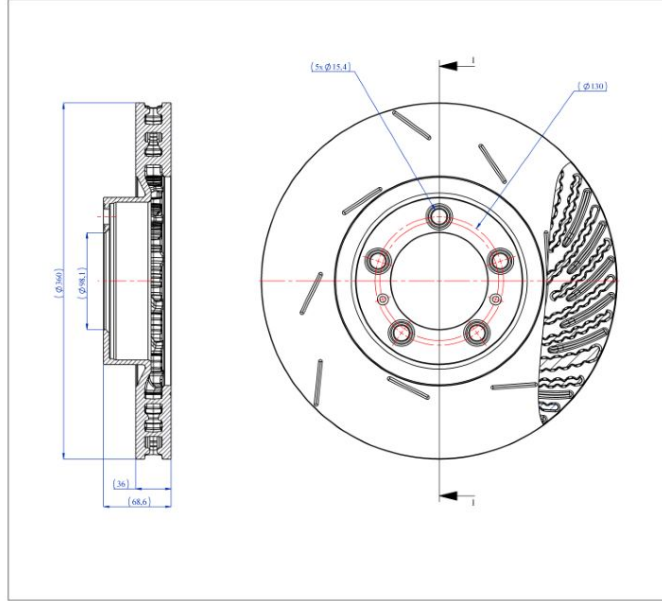
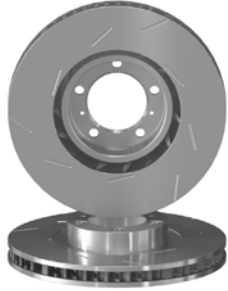


## BRAKE DISC

- Front Axle Right
- Vented

- Safety
- Performance
- OEM Standarts
- AYD Quality

OE:  
298615302B  
97035140400  
97035140401



**AYD**  
AUTOMOTIVE INDUSTRY

AYD NO <b>10-51324</b>
MATERIAL <b>TYPE-1</b>
WEIGHT <b>13.33 KG</b>
BALANCING <b>100 %</b>

**10-51324**

### Technical Specifications:

Diameter (mm)	Height (mm)	Brake Disc Thickness (mm)	Min. Thickness (mm)	Centering Diameter (mm)	Bolt Hole Circle (mm)	Num. of Holes
360	68.6	36	34	98.1	130	5+2

## PORSCHE

MODEL	START Y.	END Y.
PANAMERA (970)	2009/03	2017/12

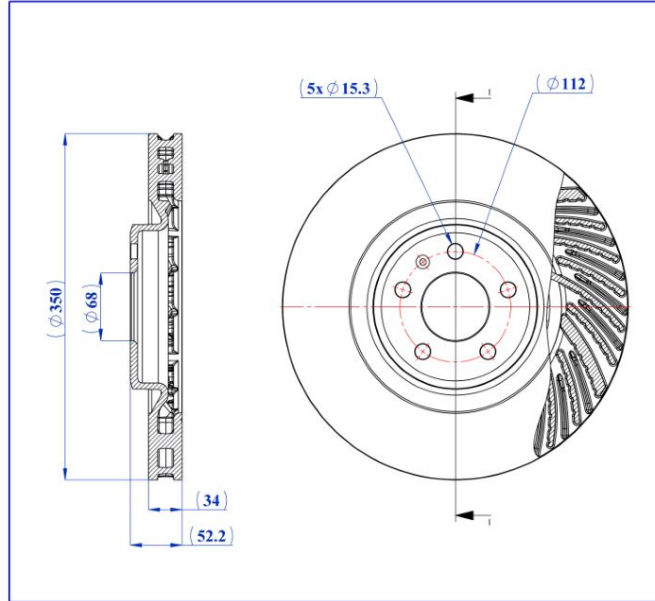
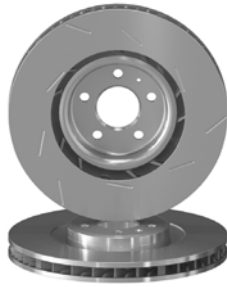


## BRAKE DISC

- Front Axle Left
- Vented

- Safety
- Performance
- OEM Standarts
- AYD Quality

OE:  
95B615301T  
95B615301  
95B615301H



**AYD**  
AUTOMOTIVE INDUSTRY

AYD NO <b>10-51325</b>
MATERIAL <b>TYPE-1</b>
WEIGHT <b>12.4 KG</b>
BALANCING <b>100 %</b>

**10-51325**

### Technical Specifications:

Diameter (mm)	Height (mm)	Brake Disc Thickness (mm)	Min. Thickness (mm)	Centering Diameter (mm)	Bolt Hole Circle (mm)	Num. of Holes
350	52.2	34	32	68	112	5+1

## PORSCHE

MODEL	START Y.	END Y.
MACAN (95B)	2014/02	

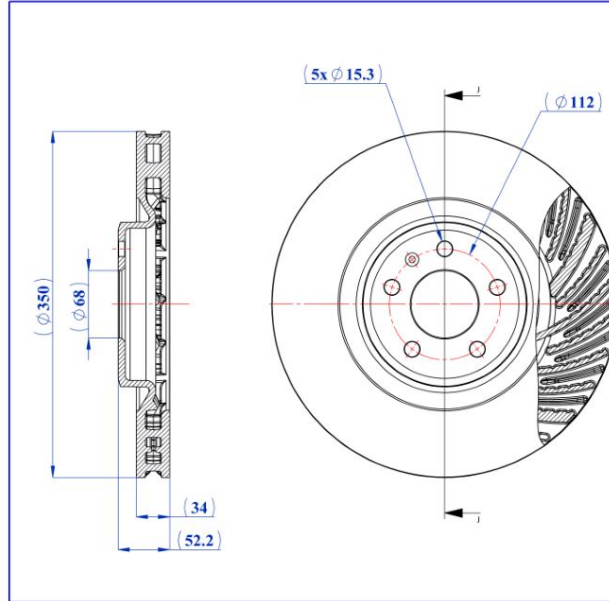
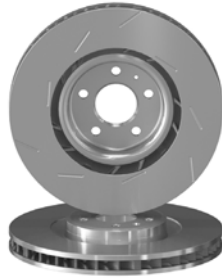


## BRAKE DISC

- Front Axle Right
- Vented

- Safety
- Performance
- OEM Standarts
- AYD Quality

OE:  
95B615302R  
95B615302  
95B615302H



**AYD**<sup>®</sup>  
AUTOMOTIVE INDUSTRY

AYD NO  
**10-51326**

MATERIAL  
**TYPE-1**

WEIGHT  
**12.4 KG**

BALANCING  
**100 %**



**10-51326**

### Technical Specifications:

Diameter (mm)	Height (mm)	Brake Disc Thickness (mm)	Min. Thickness (mm)	Centering Diameter (mm)	Bolt Hole Circle (mm)	Num. of Holes
350	52.2	34	32	68	112	5+1

## PORSCHE

MODEL	START Y.	END Y.
MACAN (95B)	2014/02	

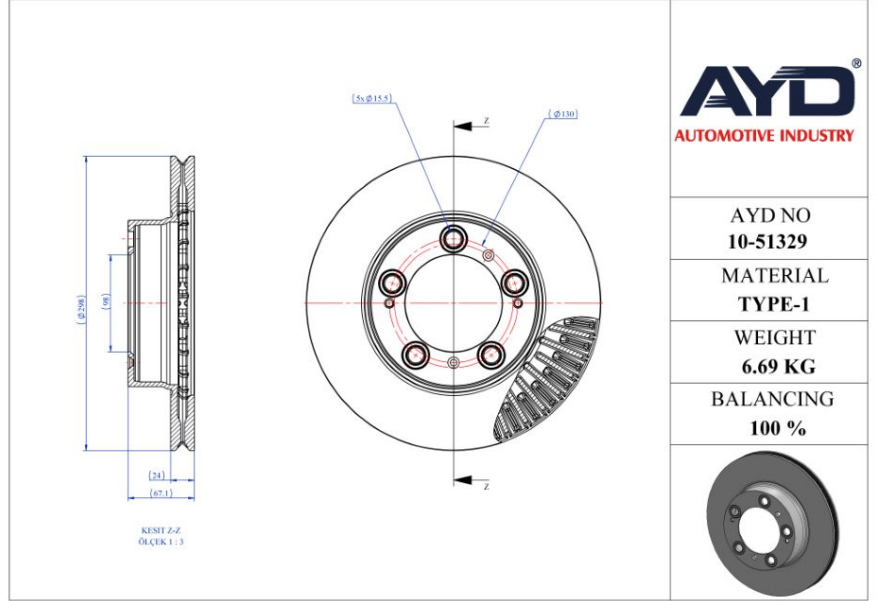


## BRAKE DISC

- Front Axle
- Vented

- Safety
- Performance
- OEM Standarts
- AYD Quality

OE:  
98635140105  
98635140104



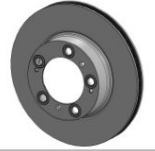
**AYD**<sup>®</sup>  
AUTOMOTIVE INDUSTRY

AYD NO  
**10-51329**

MATERIAL  
**TYPE-1**

WEIGHT  
**6.69 KG**

BALANCING  
**100 %**



**10-51329**

### Technical Specifications:

Diameter (mm)	Height (mm)	Brake Disc Thickness (mm)	Min. Thickness (mm)	Centering Diameter (mm)	Bolt Hole Circle (mm)	Num. of Holes
298	67.1	24	22	98	130	5+4

## PORSCHE

MODEL	START Y.	END Y.
BOXSTER (986)	1996/09	2004/12

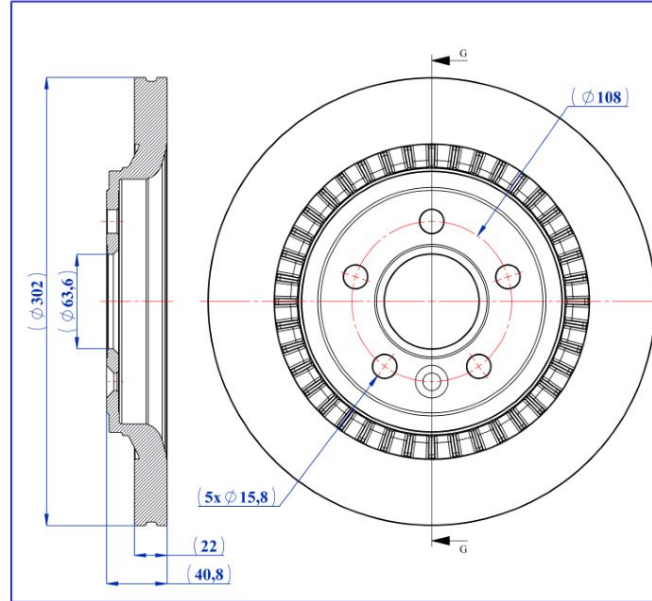


## BRAKE DISC

- Rear Axle
- Vented

- Safety
- Performance
- OEM Standarts
- AYD Quality

OE:  
31471028  
31341483  
30769060



**AYD**<sup>®</sup>  
AUTOMOTIVE INDUSTRY

AYD NO  
**10-51311**

MATERIAL  
**TYPE-1**

WEIGHT  
**7,11 KG**

BALANCING  
**100 %**



**10-51311**

### Technical Specifications:

Diameter (mm)	Height (mm)	Brake Disc Thickness (mm)	Min. Thickness (mm)	Centering Diameter (mm)	Bolt Hole Circle (mm)	Num. of Holes
302	40.8	22	19	63.6	108	5+1

## VOLVO

MODEL	START Y.	END Y.
S60 II (134)	2010/04	2019/12



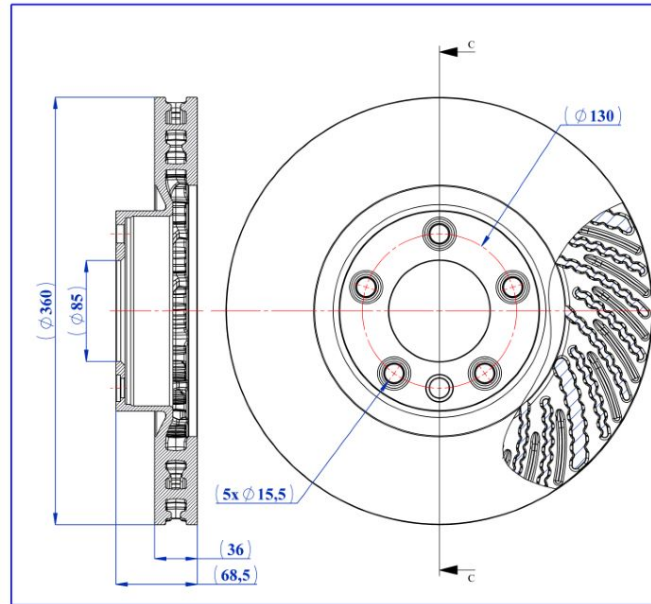
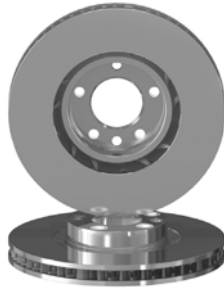


## BRAKE DISC

- Front Axle Left
- Vented

- Safety
- Performance
- OEM Standarts
- AYD Quality

OE:  
7P6615301  
7P6615301A  
7P6615301B



**AYD**<sup>®</sup>  
AUTOMOTIVE INDUSTRY

AYD NO  
**10-51313**

MATERIAL  
**TYPE-1**

WEIGHT  
**13,58 KG**

BALANCING  
**100 %**



**10-51313**

### Technical Specifications:

Diameter (mm)	Height (mm)	Brake Disc Thickness (mm)	Min. Thickness (mm)	Centering Diameter (mm)	Bolt Hole Circle (mm)	Num. of Holes
360	68.5	36	34	85	130	5+1

**VW**

MODEL	START Y.	END Y.
TOUAREG (7P5. 7P6)	2010/01	2018/12

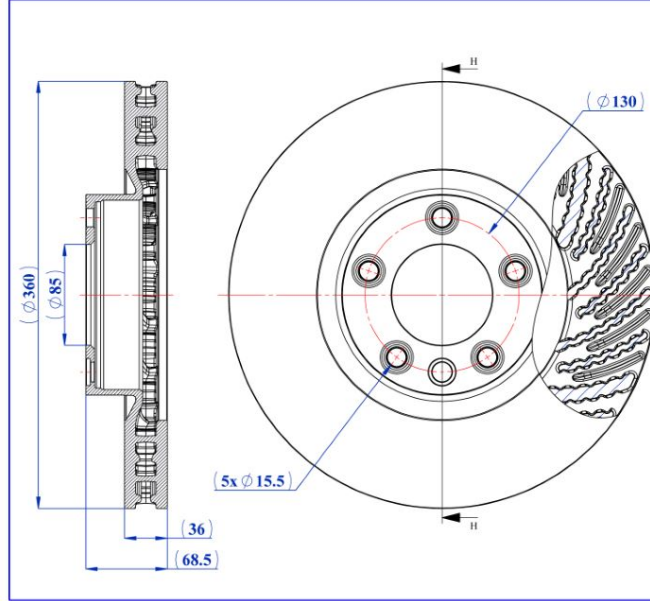


## BRAKE DISC

- Front Axle Right
- Vented

- Safety
- Performance
- OEM Standarts
- AYD Quality

OE:  
7P6615302  
7P6615302A  
7P6615302B



**AYD**  
AUTOMOTIVE INDUSTRY

AYD NO <b>10-51314</b>
MATERIAL <b>TYPE-1</b>
WEIGHT <b>13,58 KG</b>
BALANCING <b>100 %</b>

**10-51314**

### Technical Specifications:

Diameter (mm)	Height (mm)	Brake Disc Thickness (mm)	Min. Thickness (mm)	Centering Diameter (mm)	Bolt Hole Circle (mm)	Num. of Holes
360	68.5	36	34	85	130	5+1

## VW

MODEL	START Y.	END Y.
TOUAREG (7P5. 7P6)	2010/01	2018/12

