

new to range

SPEED TO MARKET SECOND TO NONE

AYD[®]
AUTOMOTIVE INDUSTRY



BRAKING



THE DIFFERENCE

SAFETY

PERFORMANCE

OEM Standards

AYD QUALITY

www.aydtr.com



MAY 2024

INDEX

BRAKE DISC

ALFA ROME	3
AUDI	4
BMW	5-6
CHERY	7-8
CHEVROLET	9
FORD	10-11
GMC	12
KARSAN	13
KIA	14-16
LAND ROVER	17-18
LEXUS	19
MAZDA	20
MERCEDES BENZ	21-22
MERCURY	23-24
MG	25
MINI	26
MITSUBISHI	27
NISSAN	28-32
OPEL	33
PROTON	34-35
ROVER	36
TOYOTA	37
VAUXHALL	38
BRAKE DRUM	
FORD	39
MERCURY	40
TOYOTA	40

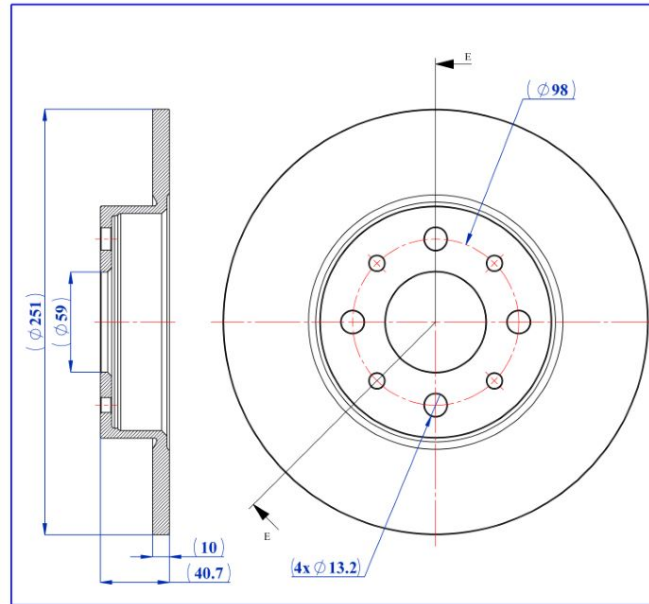
BRAKE DISC

- Rear Axle
- solid

- Safety
- Performance
- OEM Standarts
- AYD Quality

OE:
51813705
68120287AA

10-51251



AYD[®]
AUTOMOTIVE INDUSTRY

AYD NO
10-51251

MATERIAL
TYPE-1

WEIGHT
3,44 KG

BALANCING
100 %



Technical Specifications:

Diameter (mm)	Height (mm)	Brake Disc Thickness (mm)	Min. Thickness (mm)	Centering Diameter (mm)	Bolt Hole Circle (mm)	Num. of Holes
251	40,7	10	9	59	98	4+4

ALFA ROMEO

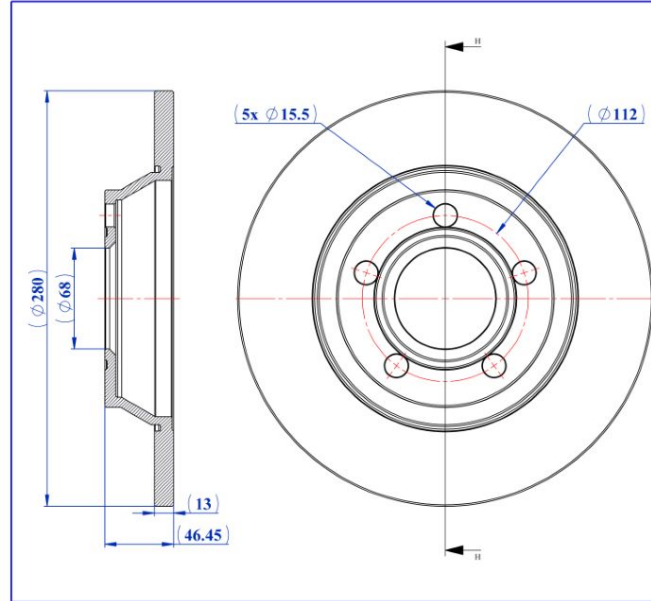
MODEL	START Y.	END Y.
MITO (955_)	2008/08	2018/10



BRAKE DISC

- Front Axle
- solid

- Safety
- Performance
- OEM Standarts
- AYD Quality



AYD[®]
AUTOMOTIVE INDUSTRY

AYD NO
10-50874

MATERIAL
TYPE-1

WEIGHT
5,11 KG

BALANCING
100 %



OE:
8D0615301A

10-50874

Technical Specifications:

Diameter (mm)	Height (mm)	Brake Disc Thickness (mm)	Min. Thickness (mm)	Centering Diameter (mm)	Bolt Hole Circle (mm)	Num. of Holes
280	46.45	13	11	68	112	5

AUDI

MODEL	START Y.	END Y.
A4 B5 (8D2)	1994/11	2001/12
A4 B5 Avant (8D5)	1994/11	2002/12

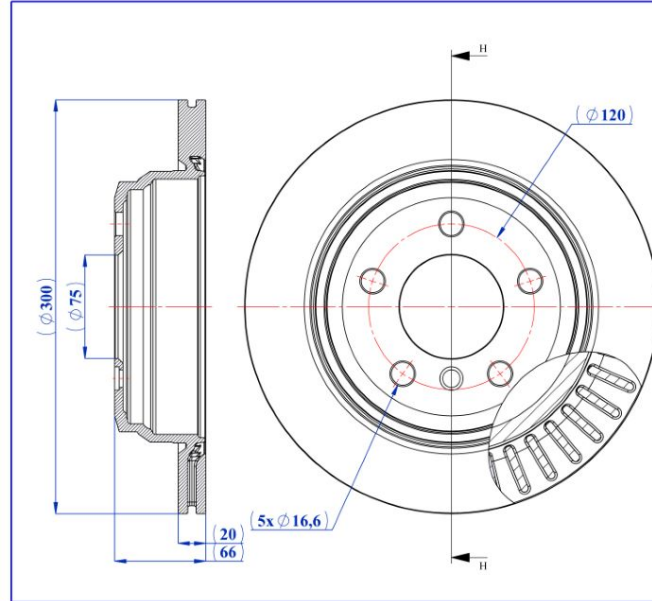


BRAKE DISC

- Rear Axle
- Vented

- Safety
- Performance
- OEM Standarts
- AYD Quality

OE:
34216792229
34216797344
34216864900



AYD[®]
AUTOMOTIVE INDUSTRY

AYD NO
10-51290

MATERIAL
TYPE-1

WEIGHT
6,57 KG

BALANCING
100 %



10-51290

Technical Specifications:

Diameter (mm)	Height (mm)	Brake Disc Thickness (mm)	Min. Thickness (mm)	Centering Diameter (mm)	Bolt Hole Circle (mm)	Num. of Holes
300	66	20	18.4	75	120	5+1

BMW

MODEL	START Y.	END Y.
3 (F30. F80)	2011/11	2018/10
3 Gran Turismo (F34)	2012/07	
3 Touring (F31)	2012/07	2019/06
3 Touring Van (F31)	2012/07	2019/06
4 Convertible (F33. F83)	2013/10	2020/08
4 Coupe (F32. F82)	2013/07	2020/06
4 Gran Coupe (F36)	2014/03	2021/05

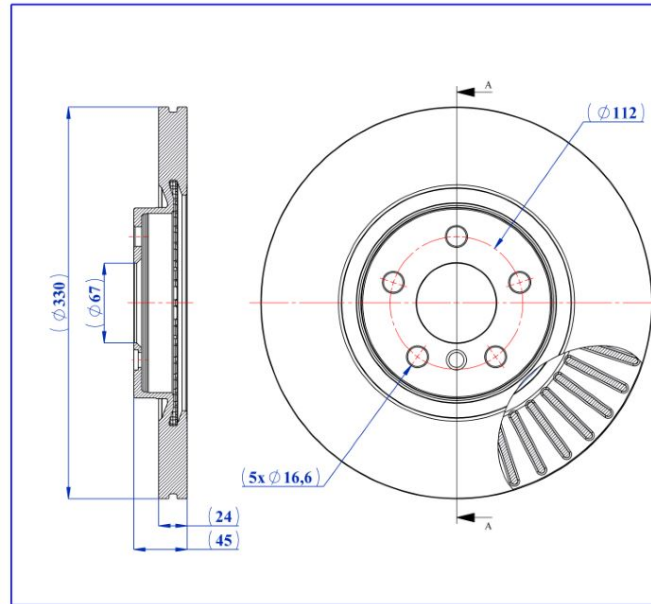


BRAKE DISC

- Front Axle
- Vented

- Safety
- Performance
- OEM Standarts
- AYD Quality

OE:
34116865713
34116860961
34106891080



AYD[®]
AUTOMOTIVE INDUSTRY

AYD NO
10-51292

MATERIAL
TYPE-1

WEIGHT
9,31 KG

BALANCING
100 %



10-51292

Technical Specifications:

Diameter (mm)	Height (mm)	Brake Disc Thickness (mm)	Min. Thickness (mm)	Centering Diameter (mm)	Bolt Hole Circle (mm)	Num. of Holes
330	45	24	22.4	67	112	5+1

BMW

MODEL	START Y.	END Y.
1 (F40)	2019/07	
2 Active Tourer (F45)	2013/11	2021/10
2 Gran Tourer (F46)	2014/07	
2 Gran Tourer Van (F46)	2014/07	
X1 (F48)	2014/11	
X1 Van (F48)	2015/07	
X2 (F39)	2017/11	



BRAKE DISC

- Rear Axle
- solid

- Safety
- Performance
- OEM Standarts
- AYD Quality



OE:
204000479AA

10-51284

AYD NO 10-51284	
MATERIAL TYPE-1	
WEIGHT 4,98 KG	
BALANCING 100 %	

Technical Specifications:

Diameter (mm)	Height (mm)	Brake Disc Thickness (mm)	Min. Thickness (mm)	Centering Diameter (mm)	Bolt Hole Circle (mm)	Num. of Holes
310.8	34.25	10	8	62	108	5+2

CHERY

MODEL	START Y.	END Y.
TIGGO 7	2020/03	



BRAKE DISC

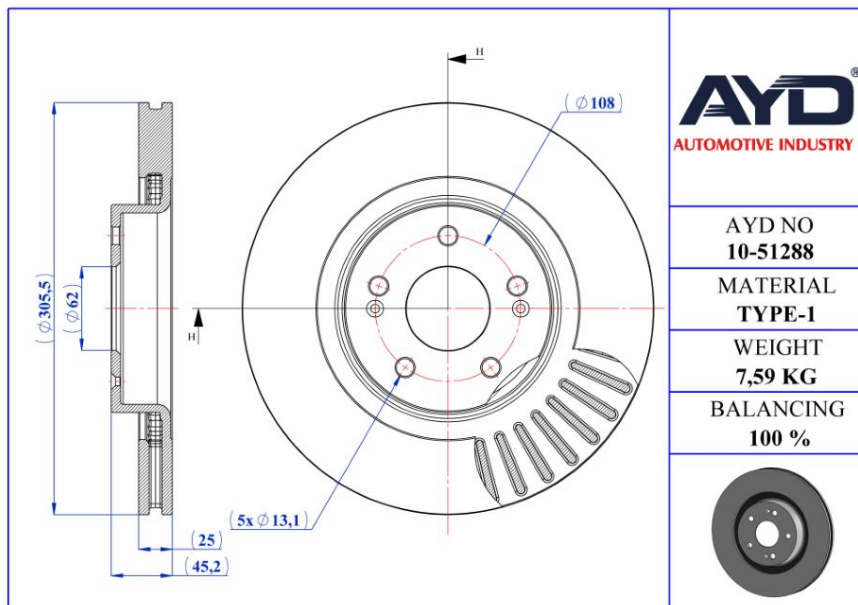
- Front Axle
- Vented

- Safety
- Performance
- OEM Standarts
- AYD Quality



OE:
204000453AA

10-51288



AYD
AUTOMOTIVE INDUSTRY

AYD NO
10-51288

MATERIAL
TYPE-1

WEIGHT
7,59 KG

BALANCING
100 %



Technical Specifications:

Diameter (mm)	Height (mm)	Brake Disc Thickness (mm)	Min. Thickness (mm)	Centering Diameter (mm)	Bolt Hole Circle (mm)	Num. of Holes
305.5	45.2	25	23	62	108	5+2

CHERY

MODEL	START Y.	END Y.
TIGGO 7	2020/03	

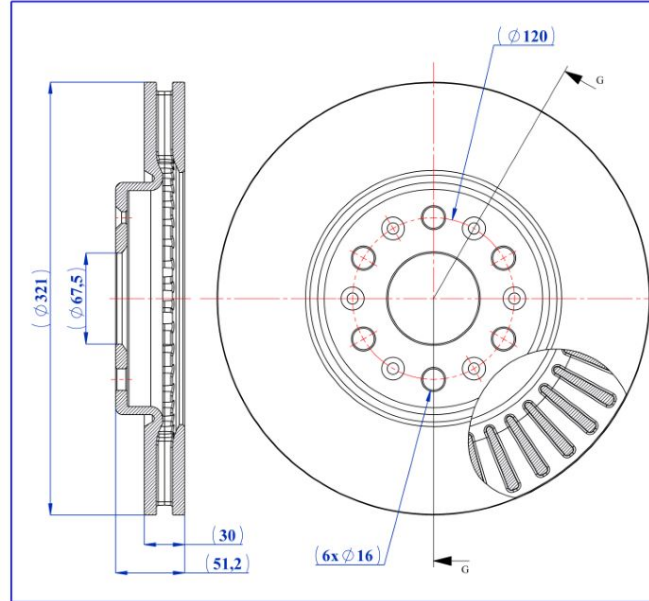


BRAKE DISC

- Front Axle
- Vented

- Safety
- Performance
- OEM Standarts
- AYD Quality

OE:
13526770
13546862
13588515



AYD[®]
AUTOMOTIVE INDUSTRY

AYD NO
10-51280

MATERIAL
TYPE-1

WEIGHT
9,90 KG

BALANCING
100 %



10-51280

Technical Specifications:

Diameter (mm)	Height (mm)	Brake Disc Thickness (mm)	Min. Thickness (mm)	Centering Diameter (mm)	Bolt Hole Circle (mm)	Num. of Holes
321	51.2	30	27	67.5	120	6+6

CHEVROLET

MODEL	START Y.	END Y.
BLAZER (1N_)	2018/06	

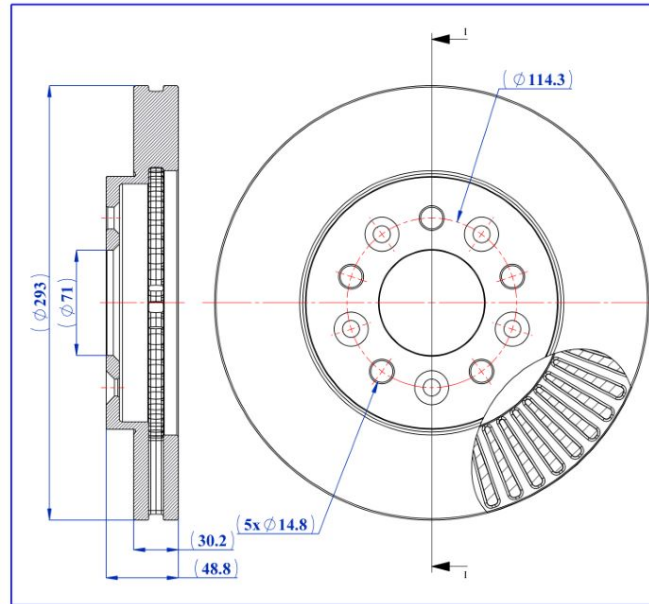


BRAKE DISC

- Front Axle
- Vented

- Safety
- Performance
- OEM Standarts
- AYD Quality

OE:
5U2Z1V125E
3F2Z1125AA
6F2Z1125A



AYD[®]
AUTOMOTIVE INDUSTRY

AYD NO
10-51272

MATERIAL
TYPE-1

WEIGHT
8,97 KG

BALANCING
100 %



10-51272

Technical Specifications:

Diameter (mm)	Height (mm)	Brake Disc Thickness (mm)	Min. Thickness (mm)	Centering Diameter (mm)	Bolt Hole Circle (mm)	Num. of Holes
293	48.8	30.2	28.4	71	114.3	5+5

FORD

MODEL	START Y.	END Y.
FREESTAR	2004	2007

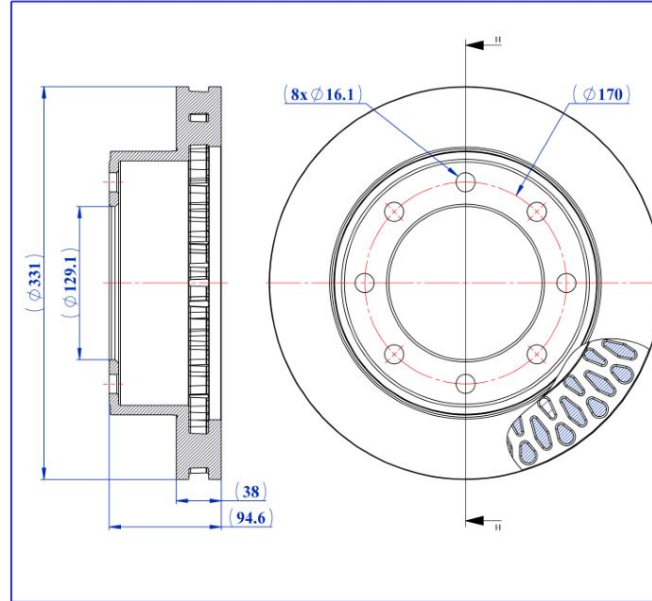


BRAKE DISC

- Front Axle
- Vented

- Safety
- Performance
- OEM Standarts
- AYD Quality

OE:
F81Z1125BA
F81Z1102AA
F81Z1102AD



AYD[®]
AUTOMOTIVE INDUSTRY

AYD NO
10-51274

MATERIAL
TYPE-1

WEIGHT
12,39 KG

BALANCING
100 %



10-51274

Technical Specifications:

Diameter (mm)	Height (mm)	Brake Disc Thickness (mm)	Min. Thickness (mm)	Centering Diameter (mm)	Bolt Hole Circle (mm)	Num. of Holes
331	94.6	38	36	129.1	170	8

FORD USA

MODEL	START Y.	END Y.
F-250	2003/10	2007/09
F-250	1996/10	2003/12
F-250 SUPER DUTY Extended Cab Pickup	2007/09	2010/12
F-250 SUPER DUTY Standard Cab Pickup	1998/09	2007/12
F-350	2003/10	2007/09
F-350 SUPER DUTY Cab & Chassis	2007/09	2010/12



BRAKE DISC

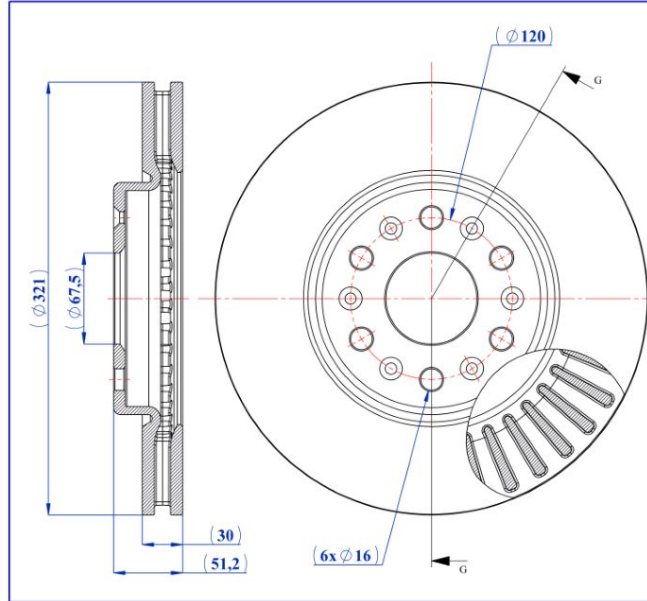
- Front Axle
- Vented

- Safety
- Performance
- OEM Standards
- AYD Quality



OE:
13536152

10-51280



AYD[®]
AUTOMOTIVE INDUSTRY

AYD NO
10-51280

MATERIAL
TYPE-1

WEIGHT
9,90 KG

BALANCING
100 %



Technical Specifications:

Diameter (mm)	Height (mm)	Brake Disc Thickness (mm)	Min. Thickness (mm)	Centering Diameter (mm)	Bolt Hole Circle (mm)	Num. of Holes
321	51.2	30	27	67.5	120	6+6

GMC

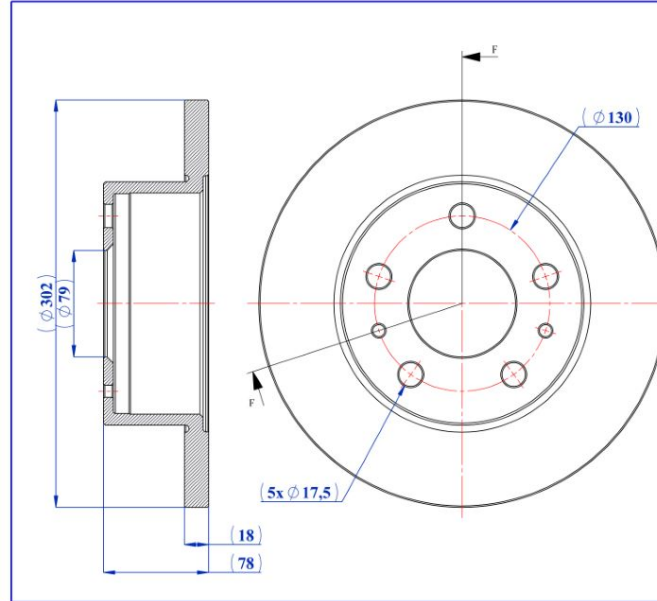
MODEL	START Y.	END Y.
ACADIA	2016/03	



BRAKE DISC

- Rear Axle
- solid

- Safety
- Performance
- OEM Standarts
- AYD Quality



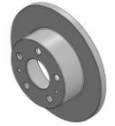
AYD[®]
AUTOMOTIVE INDUSTRY

AYD NO
10-51287

MATERIAL
TYPE-1

WEIGHT
9,04 KG

BALANCING
100 %



OE:
5019013AA

10-51287

Technical Specifications:

Diameter (mm)	Height (mm)	Brake Disc Thickness (mm)	Min. Thickness (mm)	Centering Diameter (mm)	Bolt Hole Circle (mm)	Num. of Holes
302	78	18	16	79	130	5+2

KARSAN

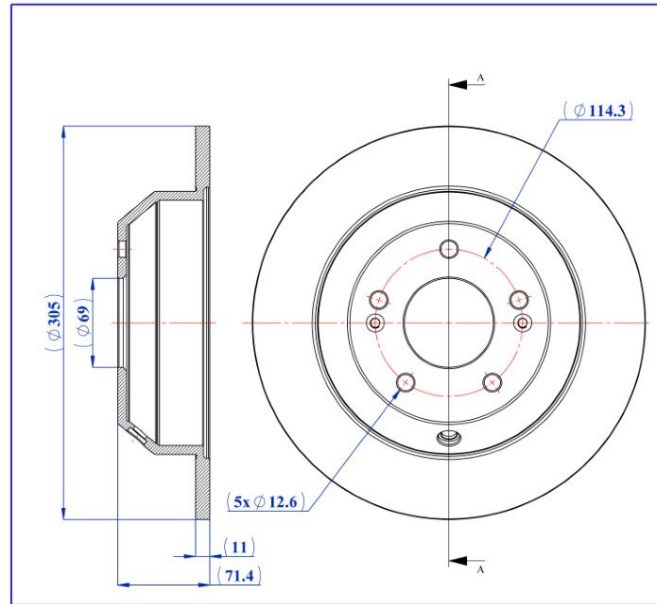
MODEL	START Y.	END Y.
JEST	2013/05	



BRAKE DISC

- Rear Axle
- solid

- Safety
- Performance
- OEM Standarts
- AYD Quality



AYD[®]
AUTOMOTIVE INDUSTRY

AYD NO
10-51262

MATERIAL
TYPE-1

WEIGHT
5,97 KG

BALANCING
100 %



OE:
58411C6000

10-51262

Technical Specifications:

Diameter (mm)	Height (mm)	Brake Disc Thickness (mm)	Min. Thickness (mm)	Centering Diameter (mm)	Bolt Hole Circle (mm)	Num. of Holes
305	71.4	11	9	69	114.3	5+3

KIA

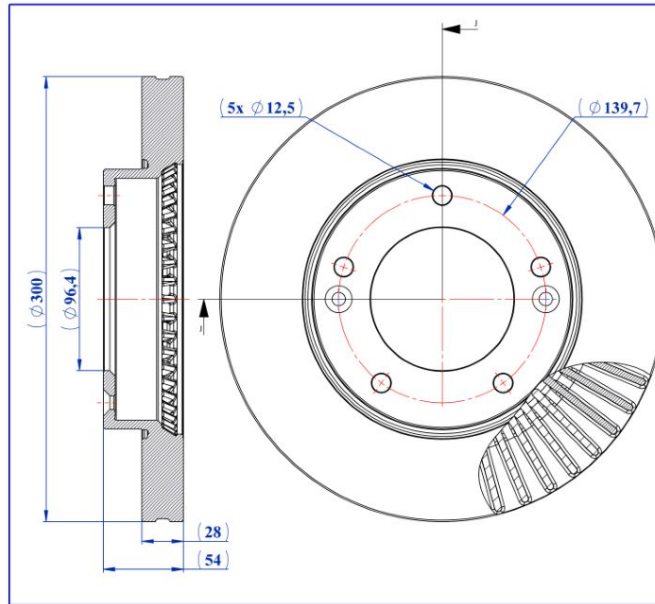
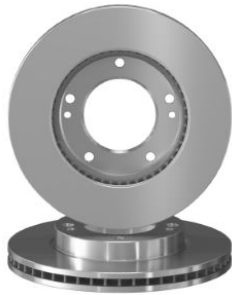
MODEL	START Y.	END Y.
SORENTO	2016	2020



BRAKE DISC

- Front Axle
- Vented

- Safety
- Performance
- OEM Standarts
- AYD Quality



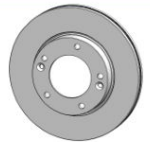
AYD[®]
AUTOMOTIVE INDUSTRY

AYD NO
10-51273

MATERIAL
TYPE-1

WEIGHT
8,45 KG

BALANCING
100 %



OE:
517123E700

10-51273

Technical Specifications:

Diameter (mm)	Height (mm)	Brake Disc Thickness (mm)	Min. Thickness (mm)	Centering Diameter (mm)	Bolt Hole Circle (mm)	Num. of Holes
300	54	28	26.4	96.4	139.7	5+2

KIA

MODEL	START Y.	END Y.
SORENTO	2007	2009

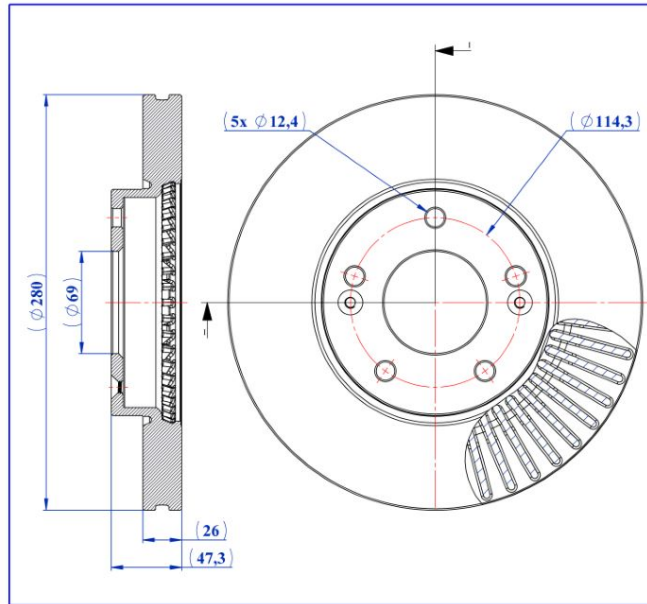


BRAKE DISC

- Front Axle
- Vented

- Safety
- Performance
- OEM Standards
- AYD Quality

OE:
517121D000
517121D100



AYD[®]
AUTOMOTIVE INDUSTRY

AYD NO
10-51277

MATERIAL
TYPE-1

WEIGHT
7,24 KG

BALANCING
100 %



10-51277

Technical Specifications:

Diameter (mm)	Height (mm)	Brake Disc Thickness (mm)	Min. Thickness (mm)	Centering Diameter (mm)	Bolt Hole Circle (mm)	Num. of Holes
280	47.3	26	24	69	114.3	5+2

KIA

MODEL	START Y.	END Y.
CARENS III MPV (UN)	2006/05	



BRAKE DISC

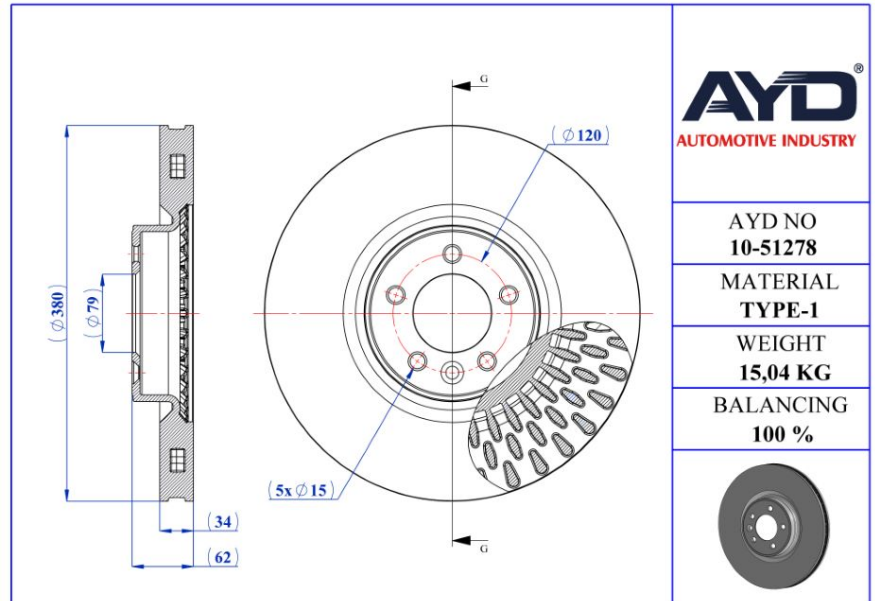
- Front Axle
- Vented

- Safety
- Performance
- OEM Standards
- AYD Quality



OE:
LR016176

10-51278



AYD[®]
AUTOMOTIVE INDUSTRY

AYD NO
10-51278

MATERIAL
TYPE-1

WEIGHT
15,04 KG

BALANCING
100 %



Technical Specifications:

Diameter (mm)	Height (mm)	Brake Disc Thickness (mm)	Min. Thickness (mm)	Centering Diameter (mm)	Bolt Hole Circle (mm)	Num. of Holes
380	62	34	31	79	120	5+1

LAND ROVER

MODEL	START Y.	END Y.
RANGE ROVER IV (L405)	2012/08	
RANGE ROVER SPORT I (L320)	2005/02	2013/03
RANGE ROVER SPORT II (L494)	2013/04	

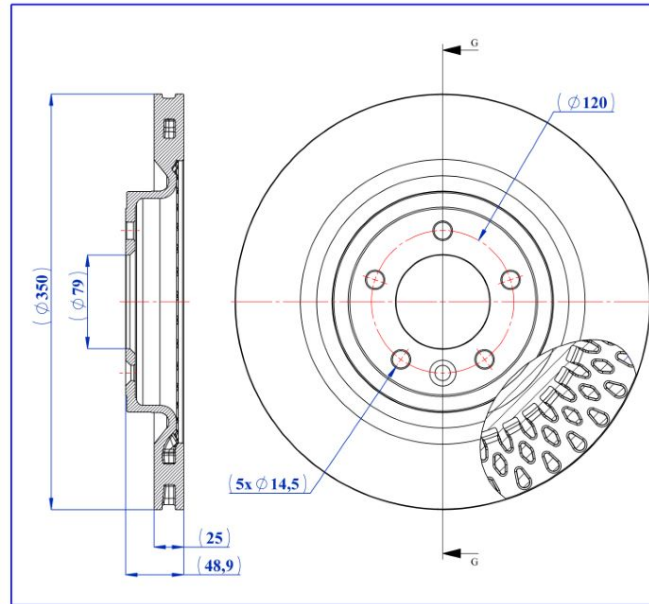


BRAKE DISC

- Rear Axle
- Vented

- Safety
- Performance
- OEM Standarts
- AYD Quality

OE:
LR033302
LR099036



AYD
AUTOMOTIVE INDUSTRY

AYD NO
10-51291

MATERIAL
TYPE-1

WEIGHT
9,47 KG

BALANCING
100 %



10-51291

Technical Specifications:

Diameter (mm)	Height (mm)	Brake Disc Thickness (mm)	Min. Thickness (mm)	Centering Diameter (mm)	Bolt Hole Circle (mm)	Num. of Holes
350	48.9	25	22	79	120	5+1

LAND ROVER

MODEL	START Y.	END Y.
DISCOVERY V (L462)	2016/09	
DISCOVERY V VAN (L462)	2016/09	
RANGE ROVER IV (L405)	2012/08	
RANGE ROVER SPORT II (L494)	2013/04	



BRAKE DISC

- Front Axle
- Vented

- Safety
- Performance
- OEM Standarts
- AYD Quality



OE:
4351276010
4351206170

10-51281

AYD NO 10-51281	
MATERIAL TYPE-1	
WEIGHT 7,78 KG	
BALANCING 100 %	

Technical Specifications:

Diameter (mm)	Height (mm)	Brake Disc Thickness (mm)	Min. Thickness (mm)	Centering Diameter (mm)	Bolt Hole Circle (mm)	Num. of Holes
305	49.2	28	25	62	114.3	5+2

LEXUS

MODEL	START Y.	END Y.
ES (_Z10_ _A10_ _H10_)	2018/07	
UX (_AA1_ _AH1_ _MA1_)	2018/10	

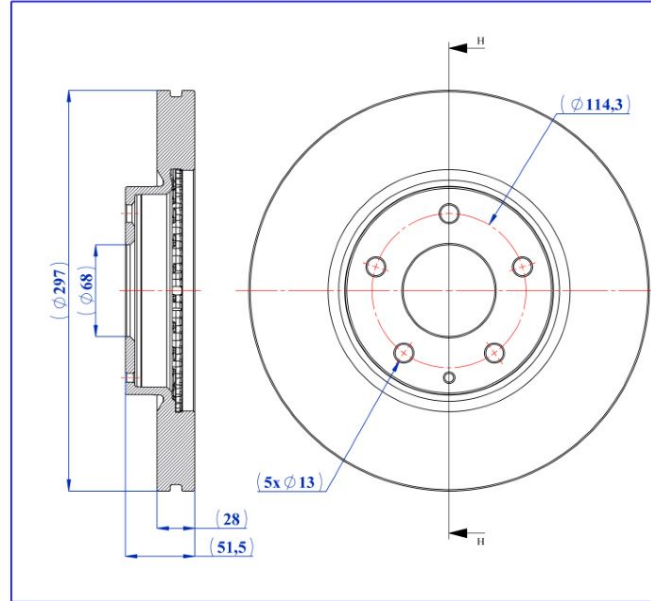


BRAKE DISC

- Front Axle
- Vented

- Safety
- Performance
- OEM Standards
- AYD Quality

OE:
K01133251B
K01133251A
GHR133251



AYD[®]
AUTOMOTIVE INDUSTRY

AYD NO
10-50465

MATERIAL
TYPE-1

WEIGHT
9,01 KG

BALANCING
100 %



10-50465

Technical Specifications:

Diameter (mm)	Height (mm)	Brake Disc Thickness (mm)	Min. Thickness (mm)	Centering Diameter (mm)	Bolt Hole Circle (mm)	Num. of Holes
297	51.5	28	26	68	114.3	5+1

MAZDA

MODEL	START Y.	END Y.
6 Estate (GJ. GL)	2012/08	
CX-5 (KE. GH)	2011/11	2017/02

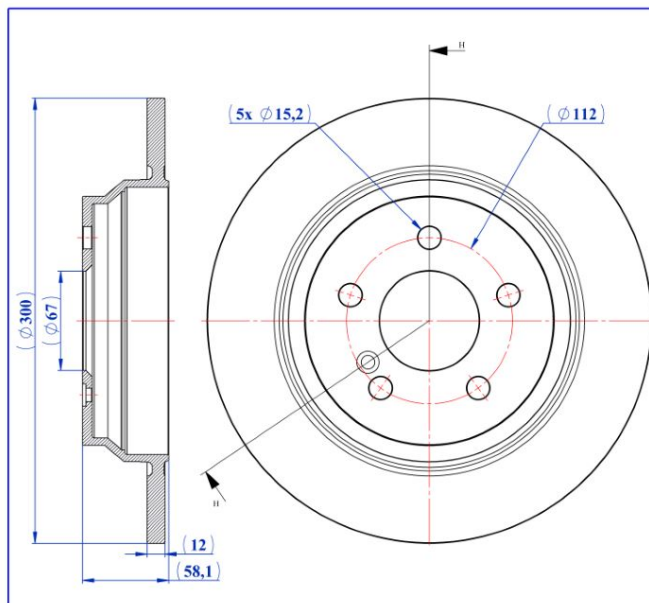


BRAKE DISC

- Rear Axle
- solid

- Safety
- Performance
- OEM Standarts
- AYD Quality

OE:
221423111207
2214231112
2214230712



AYD[®]
AUTOMOTIVE INDUSTRY

AYD NO
10-51286

MATERIAL
TYPE-1

WEIGHT
5,5 KG

BALANCING
100 %



10-51286

Technical Specifications:

Diameter (mm)	Height (mm)	Brake Disc Thickness (mm)	Min. Thickness (mm)	Centering Diameter (mm)	Bolt Hole Circle (mm)	Num. of Holes
300	58.1	12	10	67	112	5+1

MERCEDES-BENZ

MODEL	START Y.	END Y.
S-CLASS (W221)	2005/09	2013/12
SL (R230)	2001/10	2012/01

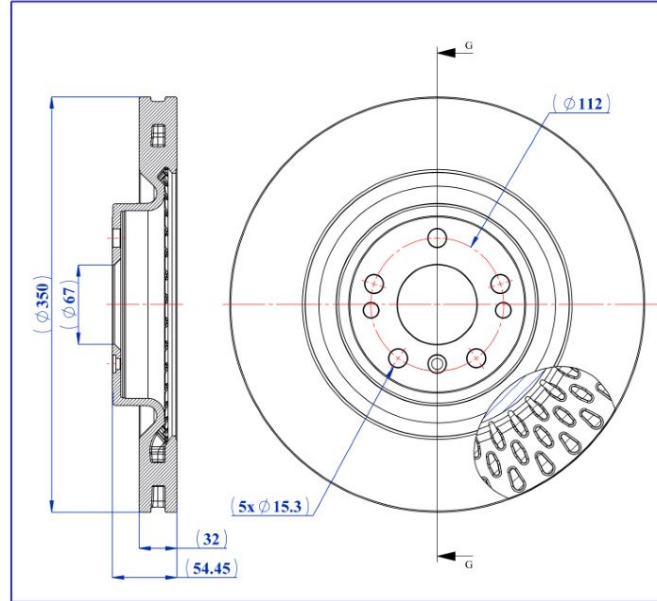


BRAKE DISC

- Front Axle
- Vented

- Safety
- Performance
- OEM Standards
- AYD Quality

OE:
1664210712
1664211400
1664210112



AYD
AUTOMOTIVE INDUSTRY

AYD NO 10-51293
MATERIAL TYPE-1
WEIGHT 12,09 KG
BALANCING 100 %

10-51293

Technical Specifications:

Diameter (mm)	Height (mm)	Brake Disc Thickness (mm)	Min. Thickness (mm)	Centering Diameter (mm)	Bolt Hole Circle (mm)	Num. of Holes
350	54.45	32	29.4	67	112	5+3

MERCEDES-BENZ

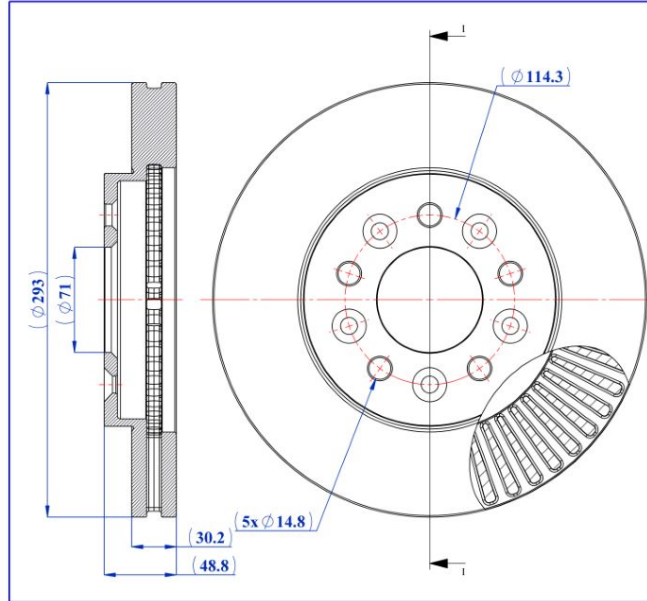
MODEL	START Y.	END Y.
GL-CLASS (X166)	2012/07	2015/12
GLE (W166)	2015/04	2018/10
GLE Coupe (C292)	2015/03	2019/10
GLS (X166)	2015/11	2019/04
M-CLASS (W166)	2011/06	2015/12



BRAKE DISC

- Front Axle
- Vented

- Safety
- Performance
- OEM Standards
- AYD Quality



AYD[®]
AUTOMOTIVE INDUSTRY

AYD NO
10-51272

MATERIAL
TYPE-1

WEIGHT
8,97 KG

BALANCING
100 %



OE:
5U2Z1V125E

10-51272

Technical Specifications:

Diameter (mm)	Height (mm)	Brake Disc Thickness (mm)	Min. Thickness (mm)	Centering Diameter (mm)	Bolt Hole Circle (mm)	Num. of Holes
293	48.8	30.2	28.4	71	114.3	5+5

MERCURY

MODEL	START Y.	END Y.
Monterey	2004	2007



BRAKE DISC

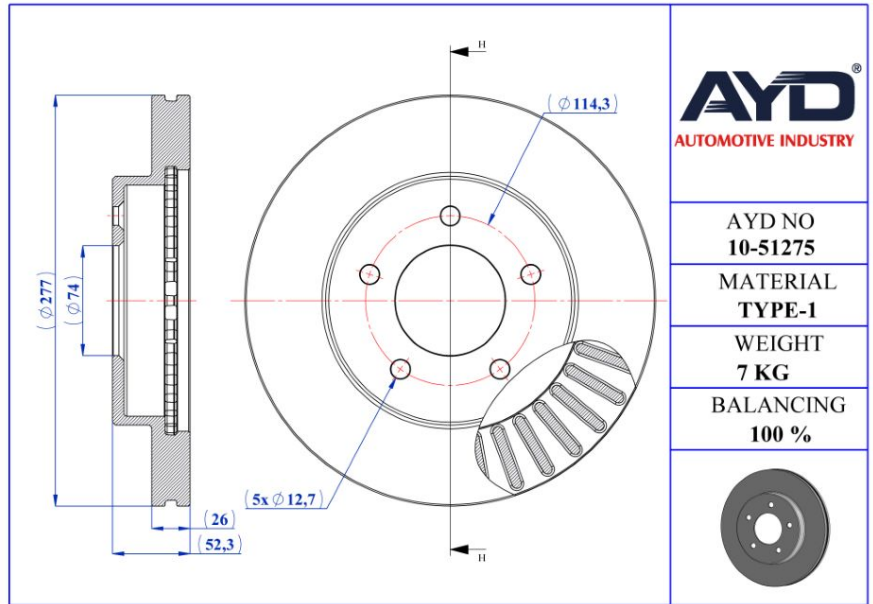
- Front Axle
- Vented

- Safety
- Performance
- OEM Standarts
- AYD Quality



OE:
XF5Z1125AA

10-51275



AYD[®]
AUTOMOTIVE INDUSTRY

AYD NO
10-51275

MATERIAL
TYPE-1

WEIGHT
7 KG

BALANCING
100 %



Technical Specifications:

Diameter (mm)	Height (mm)	Brake Disc Thickness (mm)	Min. Thickness (mm)	Centering Diameter (mm)	Bolt Hole Circle (mm)	Num. of Holes
277	52.3	26	24	74	114.3	5

MERCURY

MODEL	START Y.	END Y.
Villager	1999	1998



BRAKE DISC

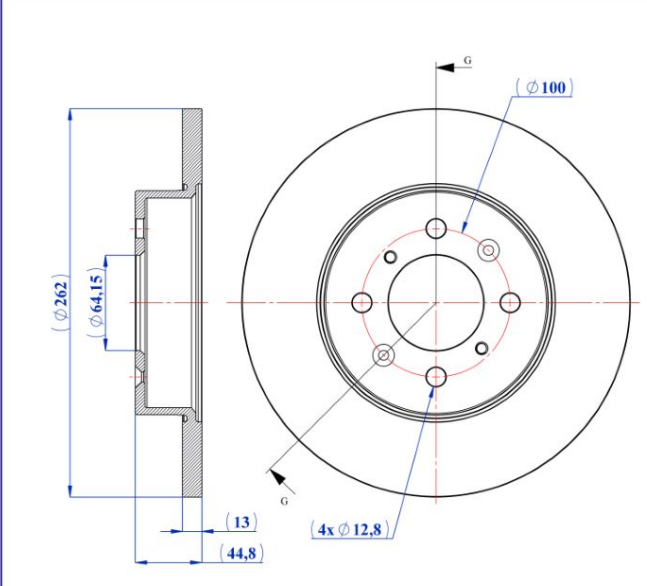
- Front Axle
- solid


- Safety
- Performance
- OEM Standarts
- AYD Quality




OE:
SDB100500

10-50880





AYD NO 10-50880
MATERIAL TYPE-1
WEIGHT 4,46 KG
BALANCING 100 %



Technical Specifications:

Diameter (mm)	Height (mm)	Brake Disc Thickness (mm)	Min. Thickness (mm)	Centering Diameter (mm)	Bolt Hole Circle (mm)	Num. of Holes
262	44.8	13	11	64.15	100	4+4

MG

MODEL	START Y.	END Y.
EXPRESS Hatchback Van	2003/03	2005/05
MG ZR	2001/06	2005/04
MG ZS	2001/07	2005/04
MG ZS Hatchback	2001/07	2005/10



BRAKE DISC

- Front Axle
- Vented

- Safety
- Performance
- OEM Standarts
- AYD Quality



OE:
34116865713

10-51292

AYD NO 10-51292	
MATERIAL TYPE-1	
WEIGHT 9,31 KG	
BALANCING 100 %	

Technical Specifications:

Diameter (mm)	Height (mm)	Brake Disc Thickness (mm)	Min. Thickness (mm)	Centering Diameter (mm)	Bolt Hole Circle (mm)	Num. of Holes
330	45	24	22.4	67	112	5+1

MINI

MODEL	START Y.	END Y.
MINI COUNTRYMAN (F60)	2016/10	

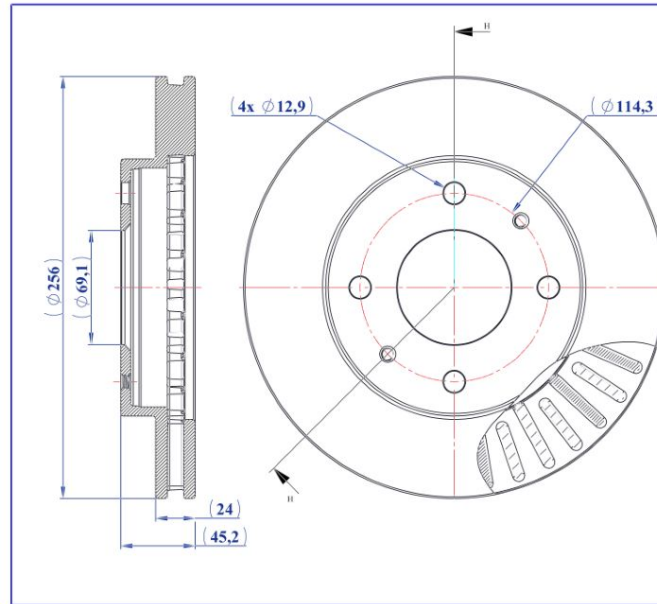


BRAKE DISC

- Front Axle
- Vented

- Safety
- Performance
- OEM Standards
- AYD Quality

OE:
MR955637
MR955636
308729268



AYD[®]
AUTOMOTIVE INDUSTRY

AYD NO
10-51276

MATERIAL
TYPE-1

WEIGHT
4,92 KG

BALANCING
100 %



10-51276

Technical Specifications:

Diameter (mm)	Height (mm)	Brake Disc Thickness (mm)	Min. Thickness (mm)	Centering Diameter (mm)	Bolt Hole Circle (mm)	Num. of Holes
256	45.2	24	22.4	69.1	114.3	4+2

MITSUBISHI

MODEL	START Y.	END Y.
CARISMA (DA_)	1995/05	2006/06
CARISMA Saloon (DA_)	1996/09	2006/06
GALANT VII (E5_A. E7_A. E8_A)	1992/11	1996/10
GALANT VII Saloon (E5_A. E7_A. E8_A)	1992/06	1998/12
GALANT VIII (EA_)	1996/09	2004/10
GALANT VIII Estate (EA_. EC_)	1996/09	2003/10
LANCER V Station Wagon (CB_W. CD_W)	1992/09	2003/10
SPACE STAR MPV (DG_A)	1998/06	2004/12

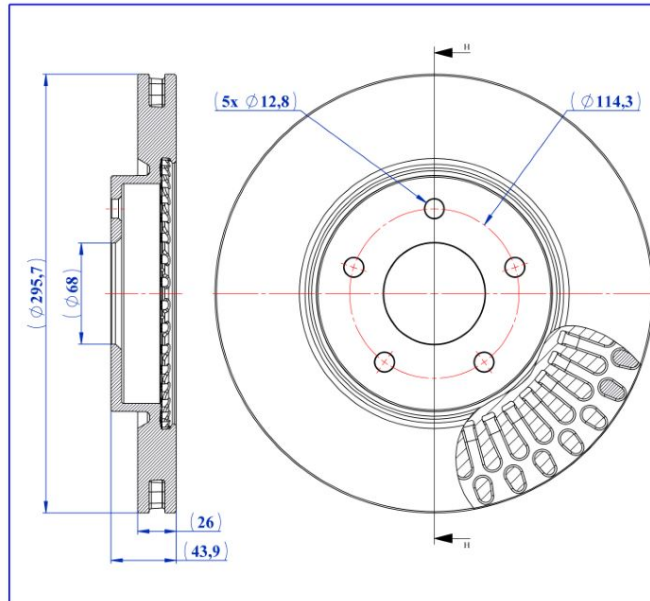


BRAKE DISC

- Front Axle
- Vented

- Safety
- Performance
- OEM Standarts
- AYD Quality

OE:
402066RA0A
402066RR0A



AYD[®]
AUTOMOTIVE INDUSTRY

AYD NO
10-51279

MATERIAL
TYPE-1

WEIGHT
7,56 KG

BALANCING
100 %



10-51279

Technical Specifications:

Diameter (mm)	Height (mm)	Brake Disc Thickness (mm)	Min. Thickness (mm)	Centering Diameter (mm)	Bolt Hole Circle (mm)	Num. of Holes
295.7	43.9	26	23.4	68	114.3	5

NISSAN

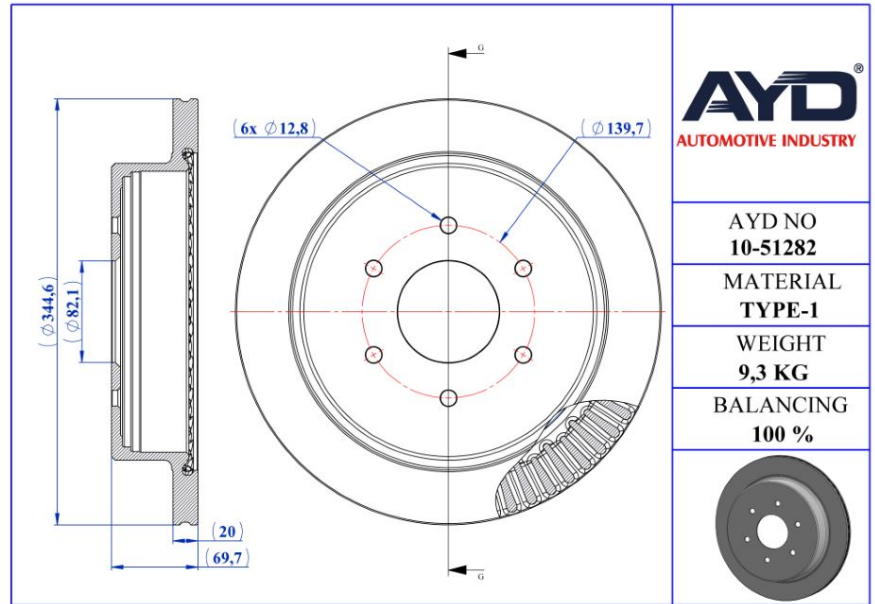
MODEL	START Y.	END Y.
Rogue	2020	2021



BRAKE DISC

- Rear Axle
- Vented

- Safety
- Performance
- OEM Standarts
- AYD Quality



OE:
43206EZ60A

10-51282

Technical Specifications:

Diameter (mm)	Height (mm)	Brake Disc Thickness (mm)	Min. Thickness (mm)	Centering Diameter (mm)	Bolt Hole Circle (mm)	Num. of Holes
344.6	69.7	20	18	82.1	139.7	6

NISSAN

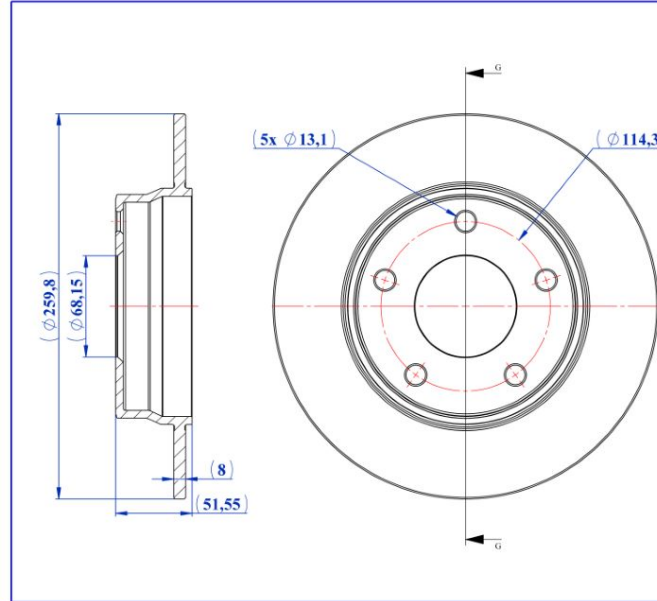
MODEL	START Y.	END Y.
TITAN (H61)	2015/09	



BRAKE DISC

- Rear Axle
- solid

- Safety
- Performance
- OEM Standarts
- AYD Quality



AYD[®]
AUTOMOTIVE INDUSTRY

AYD NO
10-51283

MATERIAL
TYPE-1

WEIGHT
3,25 KG

BALANCING
100 %



OE:
432066LA0B

10-51283

Technical Specifications:

Diameter (mm)	Height (mm)	Brake Disc Thickness (mm)	Min. Thickness (mm)	Centering Diameter (mm)	Bolt Hole Circle (mm)	Num. of Holes
259.8	51.55	8	7	68.15	114.3	5

NISSAN

MODEL	START Y.	END Y.
SENTRA VIII (B18X)	2019/11	

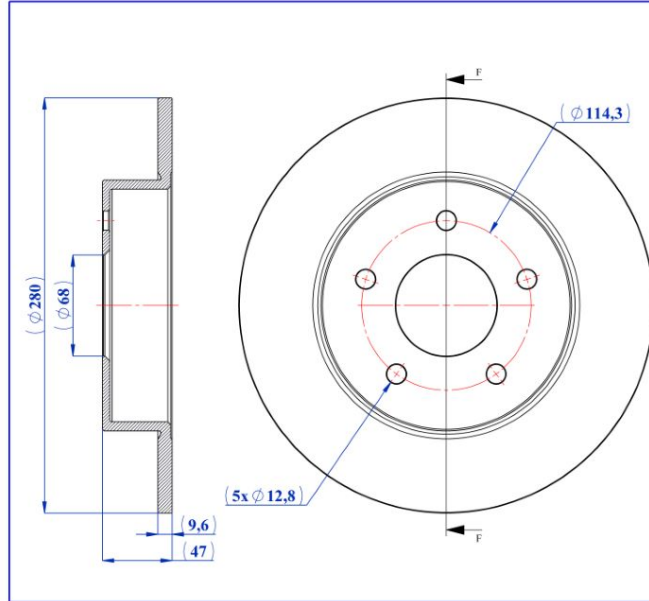


BRAKE DISC

- Rear Axle
- solid

- Safety
- Performance
- OEM Standarts
- AYD Quality

OE:
432066CA1A
D32066CA1CNW



AYD[®]
AUTOMOTIVE INDUSTRY

AYD NO
10-51285

MATERIAL
TYPE-1

WEIGHT
4,23 KG

BALANCING
100 %



10-51285

Technical Specifications:

Diameter (mm)	Height (mm)	Brake Disc Thickness (mm)	Min. Thickness (mm)	Centering Diameter (mm)	Bolt Hole Circle (mm)	Num. of Holes
280	47	9.6	8.6	68	114.3	5

NISSAN

MODEL	START Y.	END Y.
ALTIMA (L34)	2018/08	



BRAKE DISC

- Front Axle
- Vented

- Safety
- Performance
- OEM Standarts
- AYD Quality



OE:
402065RB0A
D02065RB0CNW

10-51289

AYD AUTOMOTIVE INDUSTRY	
AYD NO 10-51289	
MATERIAL TYPE-1	
WEIGHT 5 KG	
BALANCING 100 %	

Technical Specifications:

Diameter (mm)	Height (mm)	Brake Disc Thickness (mm)	Min. Thickness (mm)	Centering Diameter (mm)	Bolt Hole Circle (mm)	Num. of Holes
257.5	43.9	22	20	61	100	4

NISSAN

MODEL	START Y.	END Y.
Kicks	2018	2023
Versa	2021	2023

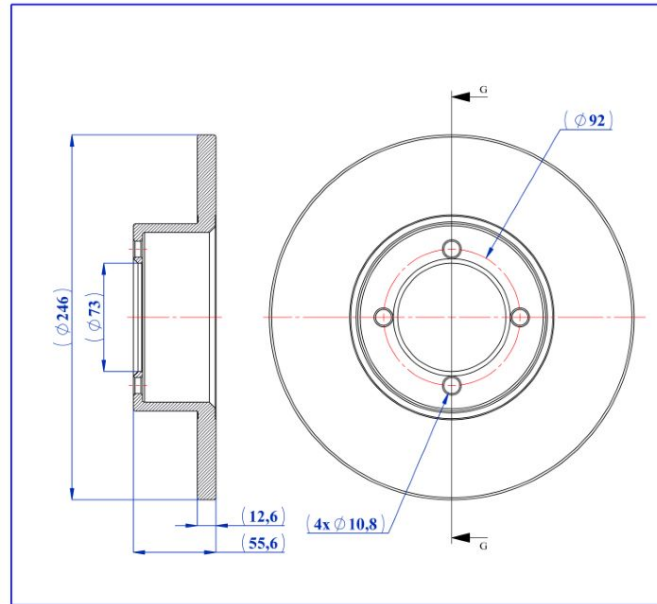


BRAKE DISC

- Front Axle
- solid

- Safety
- Performance
- OEM Standards
- AYD Quality

OE:
569026
569015
569014



AYD[®]
AUTOMOTIVE INDUSTRY

AYD NO
10-50875

MATERIAL
TYPE-1

WEIGHT
4,31 KG

BALANCING
100 %



10-50875

Technical Specifications:

Diameter (mm)	Height (mm)	Brake Disc Thickness (mm)	Min. Thickness (mm)	Centering Diameter (mm)	Bolt Hole Circle (mm)	Num. of Holes
246	55.6	12.6	9.7	73	92	4

OPEL

MODEL	START Y.	END Y.
ASCONA A (81_. 86_. 87_. 88_)	1970/10	1975/08
ASCONA A Voyage (84_. 89_)	1970/10	1975/08
ASCONA B (81_. 86_. 87_. 88_)	1975/09	1981/08
KADETT C	1973/08	1979/07
KADETT C City	1973/08	1979/07
KADETT C Coupe	1973/08	1979/07
KADETT C Estate	1973/08	1979/07
MANTA A (58_. 59_)	1970/09	1975/08
MANTA B (58_. 59_)	1975/09	1988/08
MANTA B CC (53_. 55_)	1975/09	1988/08
REKORD D	1972/01	1977/08

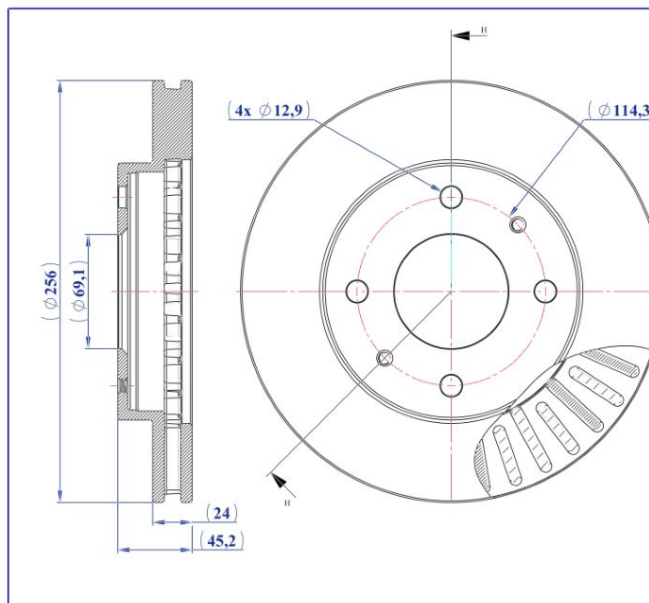


BRAKE DISC

- Front Axle
- Vented

- Safety
- Performance
- OEM Standards
- AYD Quality

OE:
MB928994
MR955637
PW820578



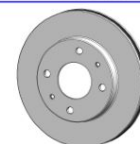
AYD[®]
AUTOMOTIVE INDUSTRY

AYD NO
10-51276

MATERIAL
TYPE-1

WEIGHT
4,92 KG

BALANCING
100 %



10-51276

Technical Specifications:

Diameter (mm)	Height (mm)	Brake Disc Thickness (mm)	Min. Thickness (mm)	Centering Diameter (mm)	Bolt Hole Circle (mm)	Num. of Holes
256	45.2	24	22.4	69.1	114.3	4+2

PROTON

MODEL	START Y.	END Y.
IMPIAN	2001/09	



BRAKE DISC

- Front Axle
- solid

- Safety
- Performance
- OEM Standarts
- AYD Quality



OE:
SDB100500
GBD90841

10-50880

AYD NO 10-50880
MATERIAL TYPE-1
WEIGHT 4,46 KG
BALANCING 100 %

Technical Specifications:

Diameter (mm)	Height (mm)	Brake Disc Thickness (mm)	Min. Thickness (mm)	Centering Diameter (mm)	Bolt Hole Circle (mm)	Num. of Holes
262	44.8	13	11	64.15	100	4+4

ROVER

MODEL	START Y.	END Y.
200 Coupe (XW)	1992/10	1999/06
200 II Convertible (XW)	1990/04	1999/11
200 II Hatchback (RF)	1995/11	2000/11
25 COMMERCE (RF)	2003/01	2005/12
25 I Hatchback (RF)	1999/09	2006/06
400 II (RT)	1995/03	2000/03
400 II Hatchback (RT)	1995/05	2000/03
400 Tourer (XW)	1993/09	1998/11
45 I Hatchback (RT)	2000/02	2005/05
45 I Saloon (RT)	2000/02	2005/05
COUPE	1996/03	1999/11

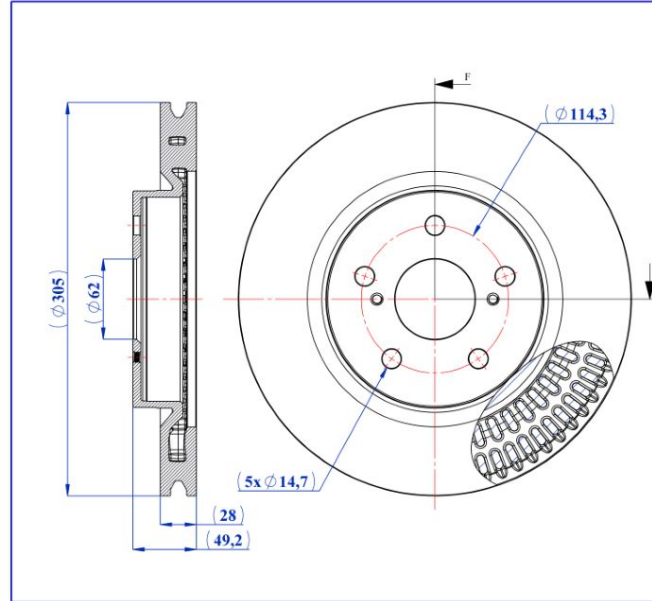


BRAKE DISC

- Front Axle
- Vented

- Safety
- Performance
- OEM Standards
- AYD Quality

OE:
4351206200
4351233150
43512F4030



AYD
AUTOMOTIVE INDUSTRY

AYD NO
10-51281

MATERIAL
TYPE-1

WEIGHT
7,78 KG

BALANCING
100 %



10-51281

Technical Specifications:

Diameter (mm)	Height (mm)	Brake Disc Thickness (mm)	Min. Thickness (mm)	Centering Diameter (mm)	Bolt Hole Circle (mm)	Num. of Holes
305	49.2	28	25	62	114.3	5+2

TOYOTA

MODEL	START Y.	END Y.
CAMRY (_V7_ _VA7_ _VH7_)	2017/06	
COROLLA Cross(ZVG1_ZSG1_MXGH1_MXGA1_)	2020/07	
RAV 4 V (_A5_ _H5_)	2018/12	
RAV 4 V VAN (_A5_ _H5_)	2018/12	



BRAKE DISC

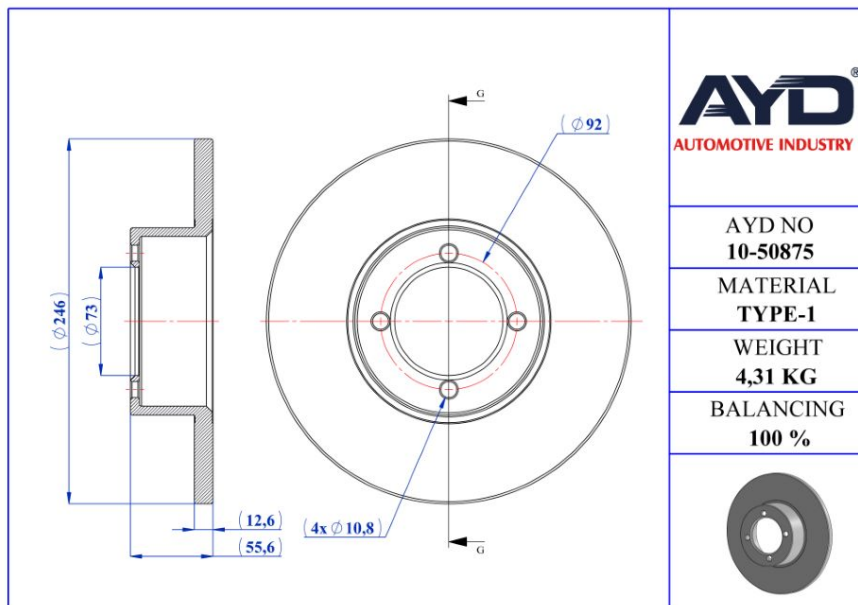
- Front Axle
- solid

- Safety
- Performance
- OEM Standards
- AYD Quality



OE:
90008001
9280751

10-50875



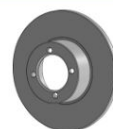
AYD[®]
AUTOMOTIVE INDUSTRY

AYD NO
10-50875

MATERIAL
TYPE-1

WEIGHT
4,31 KG

BALANCING
100 %



Technical Specifications:

Diameter (mm)	Height (mm)	Brake Disc Thickness (mm)	Min. Thickness (mm)	Centering Diameter (mm)	Bolt Hole Circle (mm)	Num. of Holes
246	55.6	12.6	9.7	73	92	4

VAUXHALL

MODEL	START Y.	END Y.
CARLTON Mk II Estate	1977/09	1986/08
CARLTON Mk II Saloon	1978/10	1986/08
CAVALIER	1975/03	1981/08
CAVALIER CC	1975/03	1981/08
CAVALIER Coupe	1975/08	1981/08
VICEROY Saloon	1980/01	1982/10



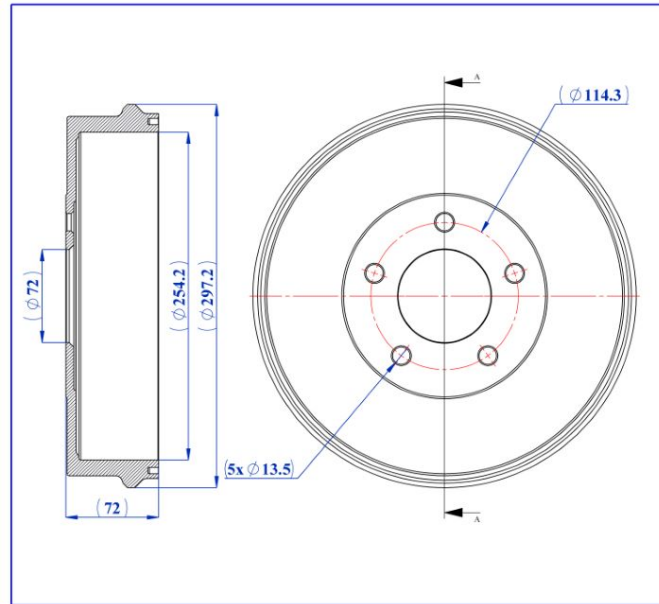
BRAKE DRUM

• Rear Axle

- Safety
- Performance
- OEM Standarts
- AYD Quality

OE:
8L8Z1126BD
8L8Z1126B

13-51266



AYD[®]
AUTOMOTIVE INDUSTRY

AYD NO
13-51266

MATERIAL
TYPE-1

WEIGHT
8,25 KG

BALANCING
100 %



Technical Specifications:

Diameter (mm)	Height (mm)	Brake Diameter Inside (mm)	Max. Skimmed Drum Mea. (mm)	Centering Diameter (mm)	Bolt Hole Circle (mm)	Num. of Holes
297.2	72	254.2	256.3	72	114.3	5

FORD

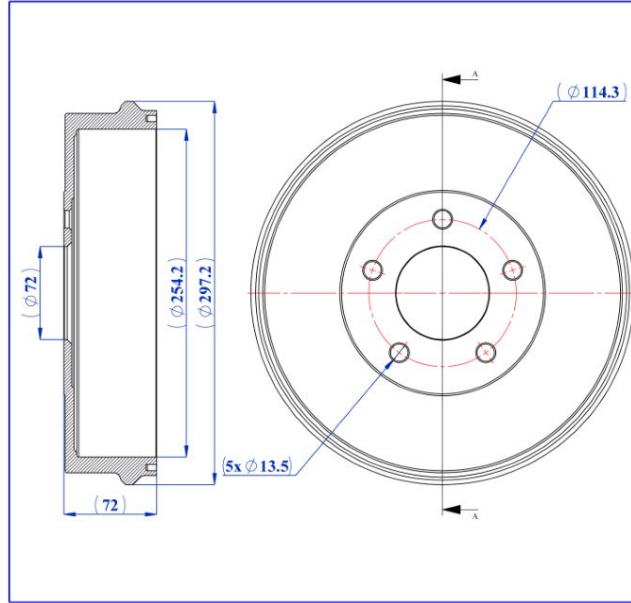
MODEL	START Y.	END Y.
ESCAPE	2009	2012



BRAKE DRUM

• Rear Axle

- Safety
- Performance
- OEM Standarts
- AYD Quality



AYD[®]
AUTOMOTIVE INDUSTRY

AYD NO
13-51266

MATERIAL
TYPE-1

WEIGHT
8,25 KG

BALANCING
100 %



OE:
8L8Z1126BD

13-51266

Technical Specifications:

Diameter (mm)	Height (mm)	Brake Diameter Inside (mm)	Max. Skimmed Drum Mea. (mm)	Centering Diameter (mm)	Bolt Hole Circle (mm)	Num. of Holes
297.2	72	254.2	256.3	72	114.3	5

MERCURY

MODEL	START Y.	END Y.
MARINER	2009	2011

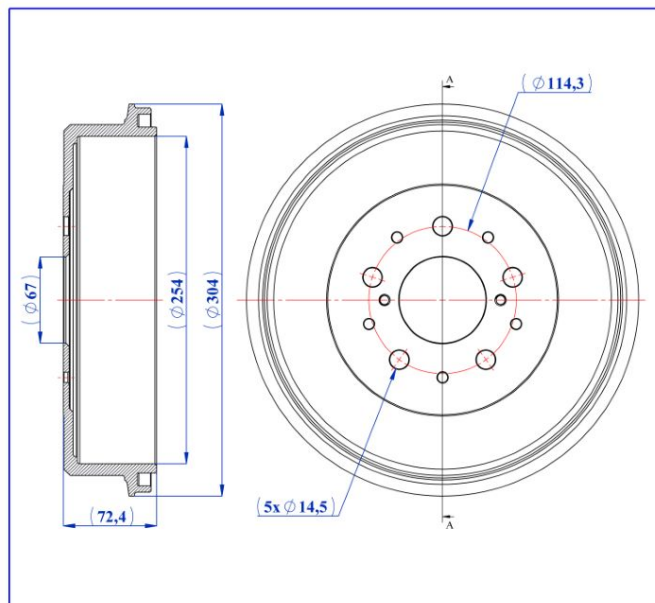


BRAKE DRUM

• Rear Axle

- Safety
- Performance
- OEM Standarts
- AYD Quality

OE:
4243135151
4243104010
4243135080



AYD[®]
AUTOMOTIVE INDUSTRY

AYD NO
13-51265

MATERIAL
TYPE-1

WEIGHT
6,89 KG

BALANCING
100 %



13-51265

Technical Specifications:

Diameter (mm)	Height (mm)	Brake Diameter Inside (mm)	Max. Skimmed Drum Mea. (mm)	Centering Diameter (mm)	Bolt Hole Circle (mm)	Num. of Holes
304	72.4	254	256	67	114.3	5+7

TOYOTA

MODEL	START Y.	END Y.
HILUX V Pickup (_N_. KZN1_. VZN1_)	1988/09	2001/08
HILUX VI Pickup (_N1_)	1994/08	2006/03

