

new to range

SPEED TO MARKET SECOND TO NONE

AYD[®]
AUTOMOTIVE INDUSTRY



BRAKING



THE DIFFERENCE

SAFETY

PERFORMANCE

OEM Standards

AYD QUALITY

www.aydtr.com



APRIL 2024

INDEX

BRAKE DISC

AUDI	3-6
BMW	7-9
CITROEN	10
FORD	11
HONDA	12-13
HYUNDAI	14-15
JAGUAR	16
LAND ROVER	17
MAZDA	18-20
MERCEDES BENZ	21-26
MINI	27
MITSUBISHI	28
PEUGEOT	29
SEAT	30-31
SKODA	32
SSANGYONG	33
TOYOTA	34-35
VOLVO	36
VOLKSWAGEN	37
VAUXHALL	38
	BRAKE DRUM
CHEVROLET	39

BRAKE DISC

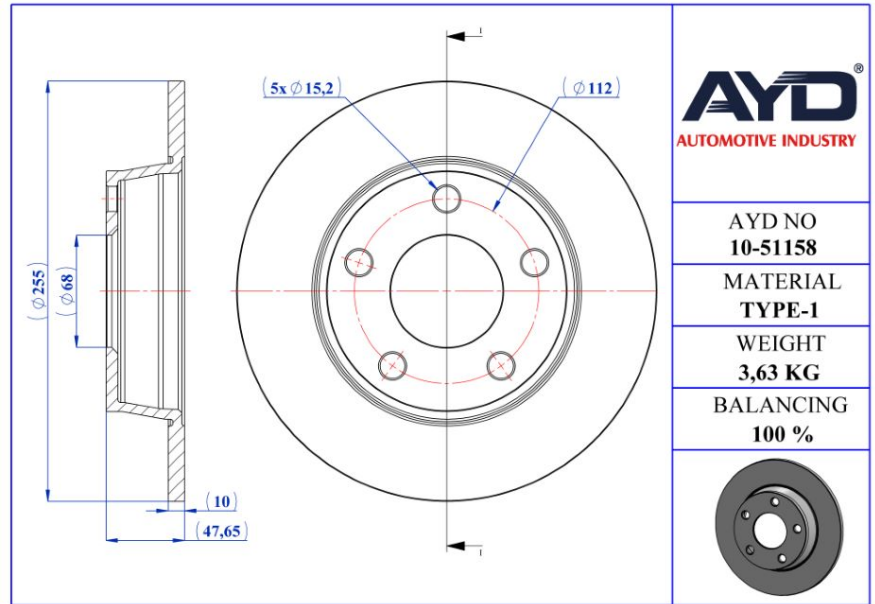
- Rear Axle
- solid

- Safety
- Performance
- OEM Standards
- AYD Quality



OE:
4B0615601B

10-51158



AYD
AUTOMOTIVE INDUSTRY

AYD NO
10-51158

MATERIAL
TYPE-1

WEIGHT
3,63 KG

BALANCING
100 %



Technical Specifications:

Diameter (mm)	Height (mm)	Brake Disc Thickness (mm)	Min. Thickness (mm)	Centering Diameter (mm)	Bolt Hole Circle (mm)	Num. of Holes
255	47,65	10	8	68	112	5

AUDI

MODEL	START Y.	END Y.
A6 C5 (4B2)	1997/01	2005/12
A6 C5 Avant (4B5)	1997/11	2005/01
ALLROAD C5 (4BH)	2000/05	2005/08



BRAKE DISC

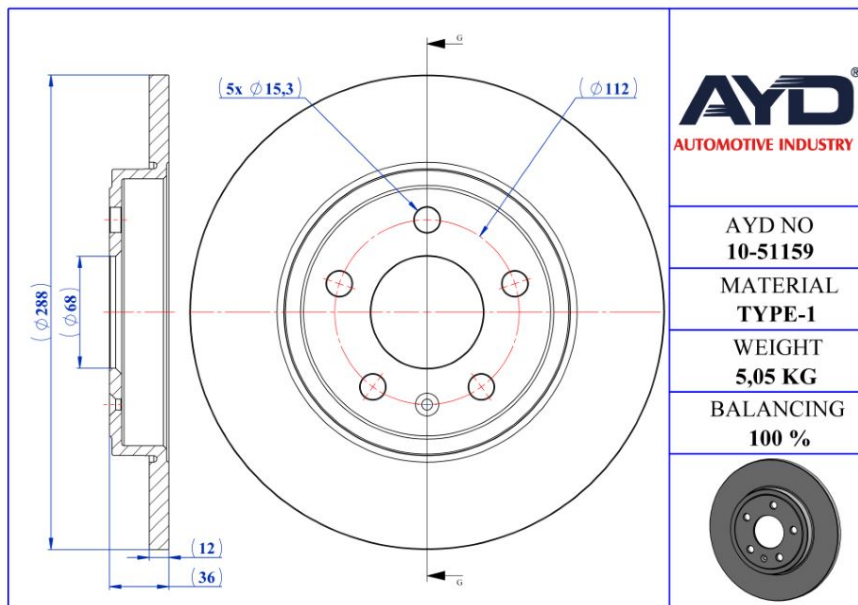
- Rear Axle
- solid

- Safety
- Performance
- OEM Standarts
- AYD Quality



OE:
8E0615601M

10-51159



AYD
AUTOMOTIVE INDUSTRY

AYD NO
10-51159

MATERIAL
TYPE-1

WEIGHT
5,05 KG

BALANCING
100 %



Technical Specifications:

Diameter (mm)	Height (mm)	Brake Disc Thickness (mm)	Min. Thickness (mm)	Centering Diameter (mm)	Bolt Hole Circle (mm)	Num. of Holes
288	36	12	10	68	112	5+1

AUDI

MODEL	START Y.	END Y.
A4 B6 Convertible (8H7)	2002/01	2009/12
A4 B7 (8EC)	2004/11	2008/06
A4 B7 Avant (8ED)	2004/11	2008/06
A4 B7 Convertible (8HE)	2002/01	2009/12



BRAKE DISC

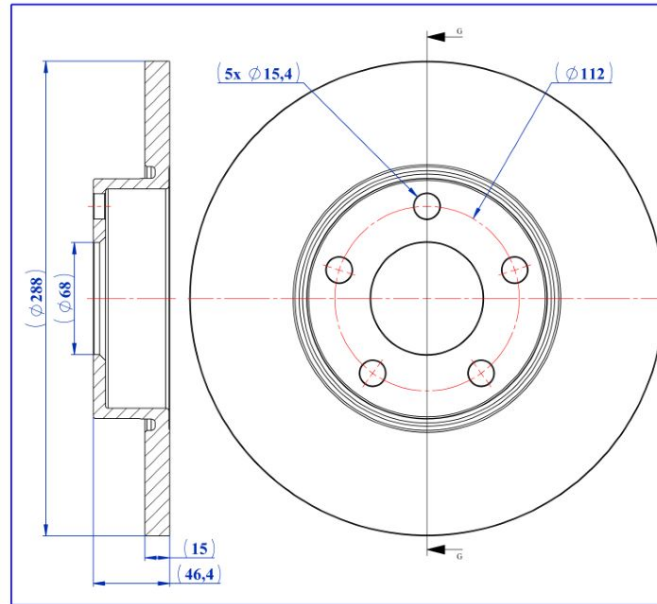
- Front Axle
- solid



- Safety
- Performance
- OEM Standards
- AYD Quality

OE:
4A0615301B

10-51161



AYD
AUTOMOTIVE INDUSTRY

AYD NO
10-51161

MATERIAL
TYPE-1

WEIGHT
6,52 KG

BALANCING
100 %



Technical Specifications:

Diameter (mm)	Height (mm)	Brake Disc Thickness (mm)	Min. Thickness (mm)	Centering Diameter (mm)	Bolt Hole Circle (mm)	Num. of Holes
288	46,4	15	13	68	112	5

AUDI

MODEL	START Y.	END Y.
100 C4 Avant (4A5)	1990/12	1994/11
100 C4 Saloon (4A2)	1990/12	1994/07
A4 B5 (8D2)	1994/11	2001/12
A4 B5 Avant (8D5)	1994/11	2002/12
A6 C4 (4A2)	1994/06	1997/10
A6 C4 Avant (4A5)	1994/06	1997/12

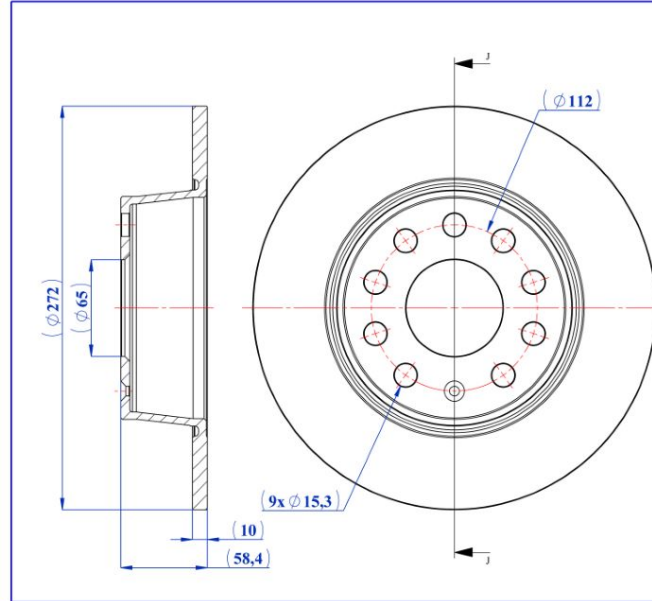


BRAKE DISC

- Rear Axle
- solid

- Safety
- Performance
- OEM Standarts
- AYD Quality

OE:
5Q0615601
5Q0615601B



AYD[®]
AUTOMOTIVE INDUSTRY

AYD NO
10-51210

MATERIAL
TYPE-1

WEIGHT
4,08 KG

BALANCING
100 %



10-51210

Technical Specifications:

Diameter (mm)	Height (mm)	Brake Disc Thickness (mm)	Min. Thickness (mm)	Centering Diameter (mm)	Bolt Hole Circle (mm)	Num. of Holes
272	58,4	10	8	65	112	9+1

AUDI

MODEL	START Y.	END Y.
Q2 (GAB. GAG)	2016/06	

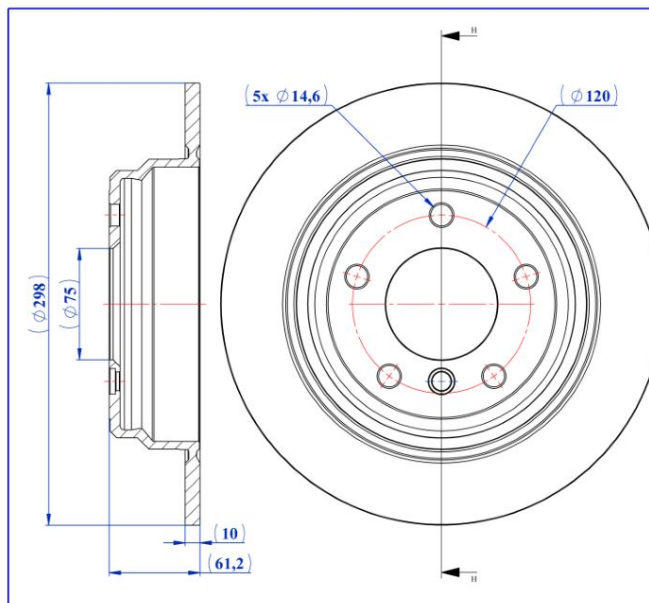


BRAKE DISC

- Rear Axle
- solid

- Safety
- Performance
- OEM Standarts
- AYD Quality

OE:
34216767049
34211163835
34211163669



AYD[®]
AUTOMOTIVE INDUSTRY

AYD NO
10-51163

MATERIAL
TYPE-1

WEIGHT
4,98 KG

BALANCING
100 %



10-51163

Technical Specifications:

Diameter (mm)	Height (mm)	Brake Disc Thickness (mm)	Min. Thickness (mm)	Centering Diameter (mm)	Bolt Hole Circle (mm)	Num. of Holes
298	61,2	10	8,4	75	120	5+1

BMW

MODEL	START Y.	END Y.
5 (E39)	1995/09	2003/07
5 Touring (E39)	1996/09	2004/06

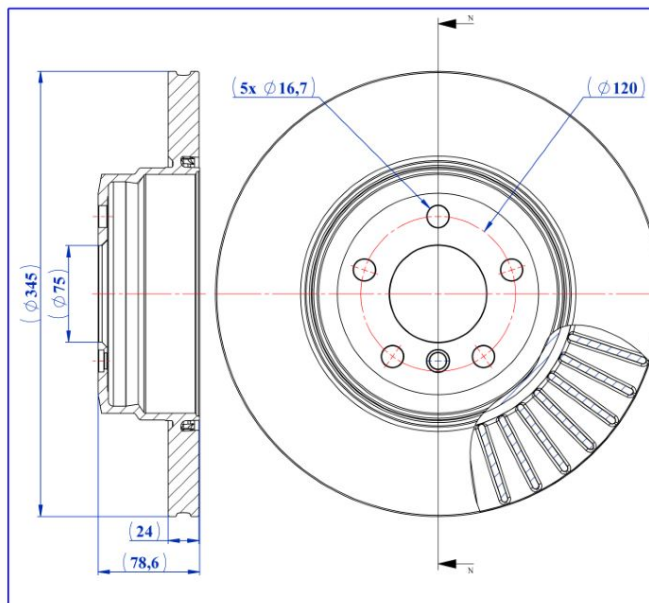


BRAKE DISC

- Rear Axle
- Vented

- Safety
- Performance
- OEM Standarts
- AYD Quality

OE:
34216886480
34216771971
34216793246



AYD
AUTOMOTIVE INDUSTRY

AYD NO
10-51173

MATERIAL
TYPE-1

WEIGHT
9,66 KG

BALANCING
100 %



10-51173

Technical Specifications:

Diameter (mm)	Height (mm)	Brake Disc Thickness (mm)	Min. Thickness (mm)	Centering Diameter (mm)	Bolt Hole Circle (mm)	Num. of Holes
345	78,6	24	22,4	75	120	5+1

BMW

MODEL	START Y.	END Y.
X5 (E70)	2006/02	2013/07
X5 (F15. F85)	2013/08	2018/07
X6 (E71. E72)	2007/06	2014/07
X6 (F16. F86)	2014/08	2019/07



BRAKE DISC

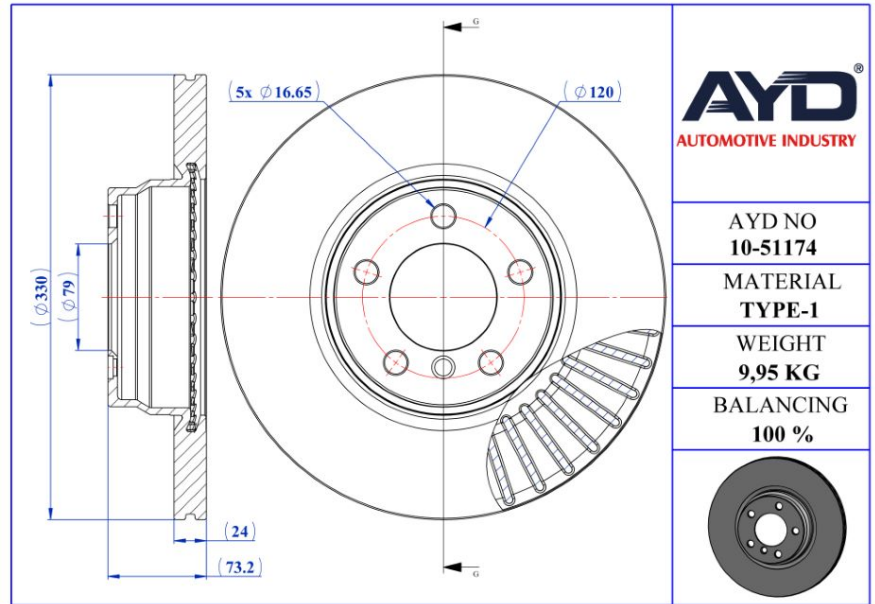
- Front Axle
- Vented

- Safety
- Performance
- OEM Standarts
- AYD Quality



OE:
34116792221

10-51174



AYD
AUTOMOTIVE INDUSTRY

AYD NO
10-51174

MATERIAL
TYPE-1

WEIGHT
9,95 KG

BALANCING
100 %



Technical Specifications:

Diameter (mm)	Height (mm)	Brake Disc Thickness (mm)	Min. Thickness (mm)	Centering Diameter (mm)	Bolt Hole Circle (mm)	Num. of Holes
330	73,2	24	22,4	79	120	5+1

BMW

MODEL	START Y.	END Y.
2 Convertible (F23)	2014/03	2021/06
2 Coupe (F22. F87)	2012/10	2021/06
3 (F30. F80)	2011/11	2018/10
3 Gran Turismo (F34)	2012/07	
3 Touring (F31)	2012/07	2019/06
3 Touring Van (F31)	2012/07	2019/06
4 Convertible (F33. F83)	2013/10	2020/08
4 Coupe (F32. F82)	2013/07	2020/06
4 Gran Coupe (F36)	2014/03	2021/05

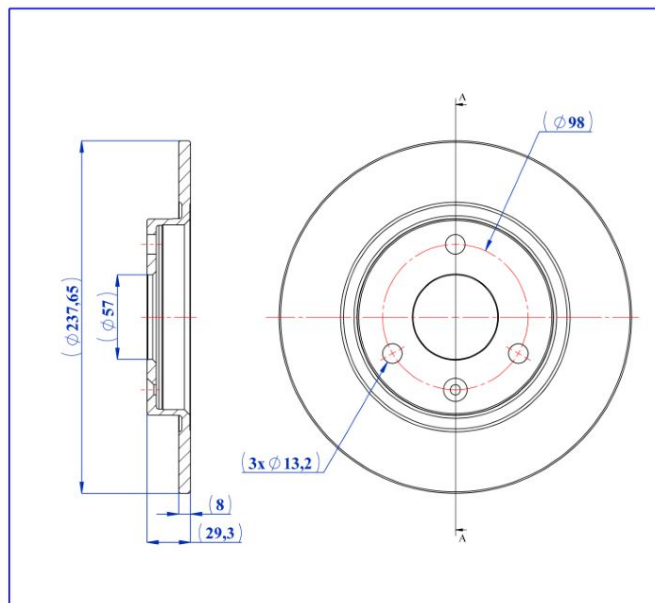


BRAKE DISC

- Front Axle
- solid

- Safety
- Performance
- OEM Standarts
- AYD Quality

OE:
4249C5
E169004
1618859880



AYD[®]
AUTOMOTIVE INDUSTRY

AYD NO
10-51141

MATERIAL
TYPE-1

WEIGHT
2,41 KG

BALANCING
100 %



10-51141

Technical Specifications:

Diameter (mm)	Height (mm)	Brake Disc Thickness (mm)	Min. Thickness (mm)	Centering Diameter (mm)	Bolt Hole Circle (mm)	Num. of Holes
237,65	29,3	8	6	57	98	3+1

CITROËN

MODEL	START Y.	END Y.
AX (ZA-_)	1986/07	1998/12
SAXO (S0. S1)	1996/02	2004/04
SAXO Hatchback van (S3_)	1997/10	2003/06

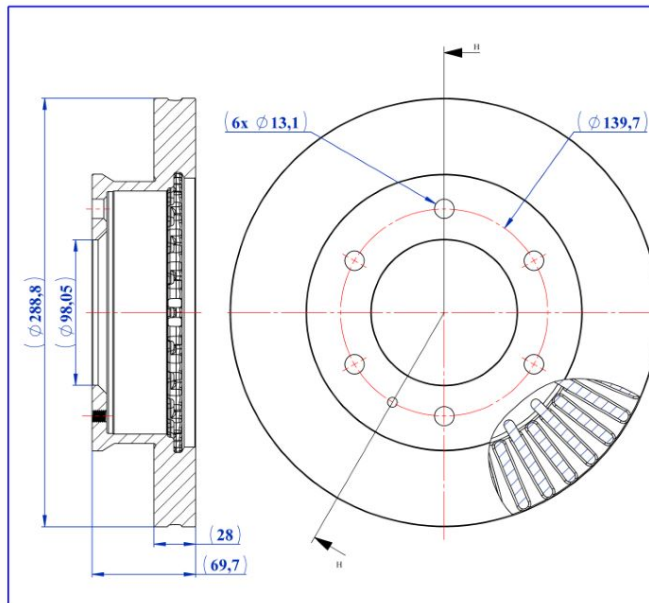


BRAKE DISC

- Front Axle
- Vented

- Safety
- Performance
- OEM Standarts
- AYD Quality

OE:
1490412
6M341027DA



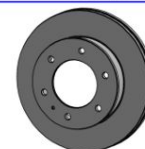
AYD[®]
AUTOMOTIVE INDUSTRY

AYD NO
10-51224

MATERIAL
TYPE-1

WEIGHT
8,97 KG

BALANCING
100 %



10-51224

Technical Specifications:

Diameter (mm)	Height (mm)	Brake Disc Thickness (mm)	Min. Thickness (mm)	Centering Diameter (mm)	Bolt Hole Circle (mm)	Num. of Holes
288,8	69,7	28	26	98,05	139,7	6+1

FORD

MODEL	START Y.	END Y.
RANGER (ER. EQ. R_)	1997/04	2011/12
RANGER (ET)	2005/01	2012/07

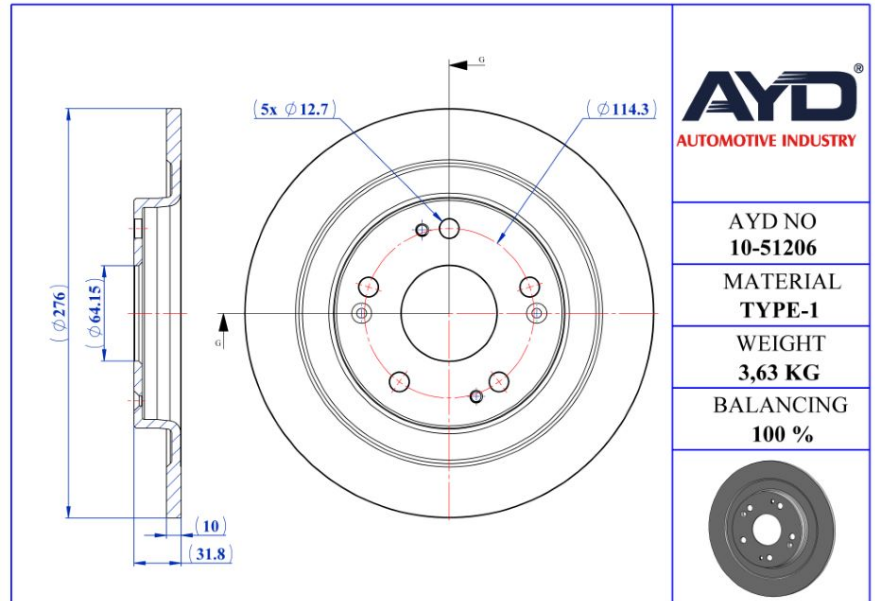


BRAKE DISC

- Rear Axle
- solid

- Safety
- Performance
- OEM Standards
- AYD Quality

OE:
42510TV0E01
42510TV0E00



AYD[®]
AUTOMOTIVE INDUSTRY

AYD NO
10-51206

MATERIAL
TYPE-1

WEIGHT
3,63 KG

BALANCING
100 %



10-51206

Technical Specifications:

Diameter (mm)	Height (mm)	Brake Disc Thickness (mm)	Min. Thickness (mm)	Centering Diameter (mm)	Bolt Hole Circle (mm)	Num. of Holes
276	31,8	10	8	64,15	114,3	5+4

HONDA

MODEL	START Y.	END Y.
CIVIC IX (FK)	2012/02	2016/12
CIVIC IX Tourer (FK)	2014/01	2016/12
CIVIC VIII Saloon (FD. FA)	2005/09	2013/05

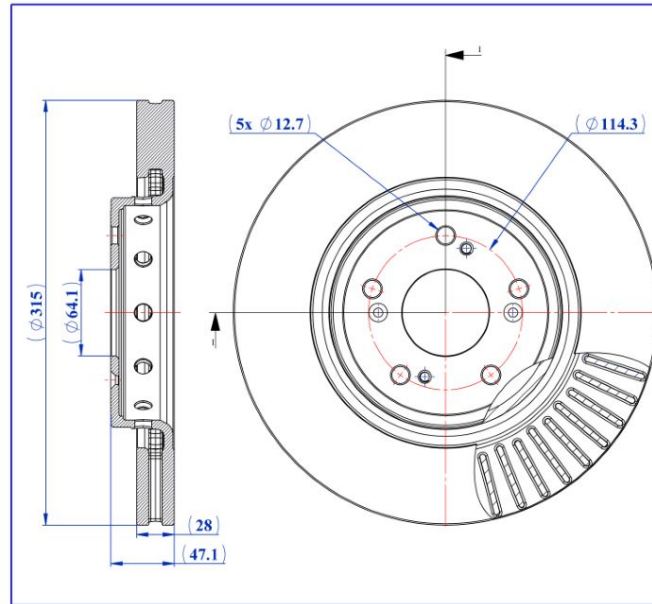


BRAKE DISC

- Front Axle
- Vented

- Safety
- Performance
- OEM Standarts
- AYD Quality

OE:
45251T1GG01
45251T1GG00



AYD[®]
AUTOMOTIVE INDUSTRY

AYD NO
10-51238

MATERIAL
TYPE-1

WEIGHT
8,83 KG

BALANCING
100 %



10-51238

Technical Specifications:

Diameter (mm)	Height (mm)	Brake Disc Thickness (mm)	Min. Thickness (mm)	Centering Diameter (mm)	Bolt Hole Circle (mm)	Num. of Holes
315	47,1	28	26	64,1	114,3	5+4

HONDA

MODEL	START Y.	END Y.
CR-V IV (RM_)	2012/01	



BRAKE DISC

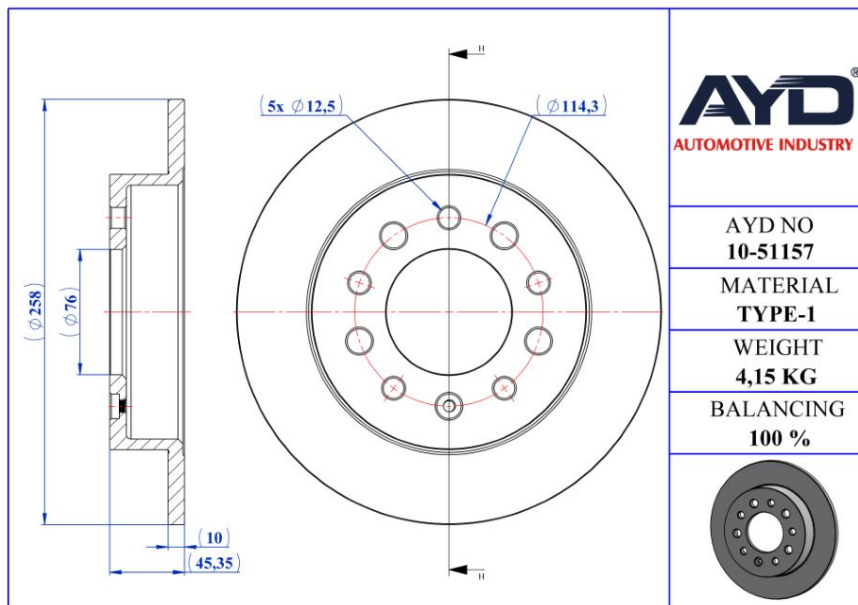
- Rear Axle
- solid

- Safety
- Performance
- OEM Standarts
- AYD Quality



OE:
584112C000

10-51157



AYD
AUTOMOTIVE INDUSTRY

AYD NO
10-51157

MATERIAL
TYPE-1

WEIGHT
4,15 KG

BALANCING
100 %



Technical Specifications:

Diameter (mm)	Height (mm)	Brake Disc Thickness (mm)	Min. Thickness (mm)	Centering Diameter (mm)	Bolt Hole Circle (mm)	Num. of Holes
258	45,35	10	8	76	114,3	5+5

HYUNDAI

MODEL	START Y.	END Y.
COUPE II (GK)	2001/01	2012/12
TIBURON Coupe	2001/01	2008/12

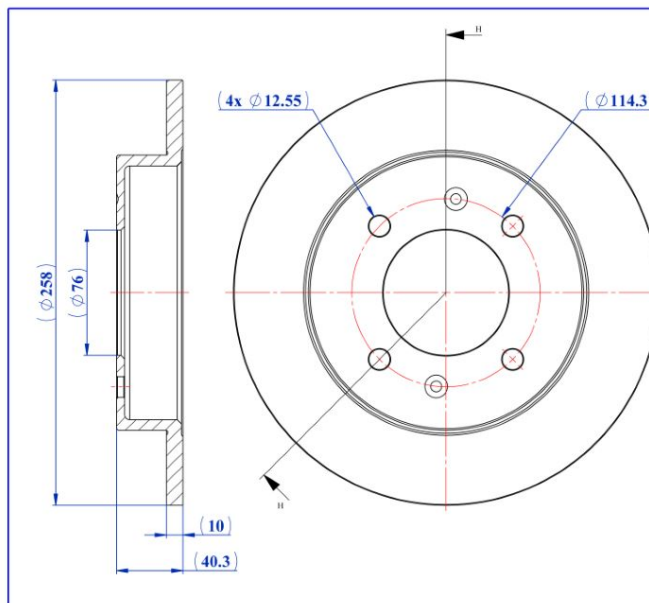


BRAKE DISC

- Rear Axle
- solid

- Safety
- Performance
- OEM Standards
- AYD Quality

OE:
5841129310
5841129300
5841128300



AYD
AUTOMOTIVE INDUSTRY

AYD NO
10-51164

MATERIAL
TYPE-1

WEIGHT
3,59 KG

BALANCING
100 %



10-51164

Technical Specifications:

Diameter (mm)	Height (mm)	Brake Disc Thickness (mm)	Min. Thickness (mm)	Centering Diameter (mm)	Bolt Hole Circle (mm)	Num. of Holes
258	40,3	10	8	76	114,3	4+2

HYUNDAI

MODEL	START Y.	END Y.
COUPE I (RD)	1996/05	2002/04
ELANTRA III (XD)	2000/03	2006/08
ELANTRA III Saloon (XD)	2000/03	2006/09
LANTRA I (J-1)	1990/10	1995/11
LANTRA II (J-2)	1995/01	2002/12
LANTRA II Estate (J-2)	1995/06	2000/10
TIBURON Coupe	1996/01	2001/12

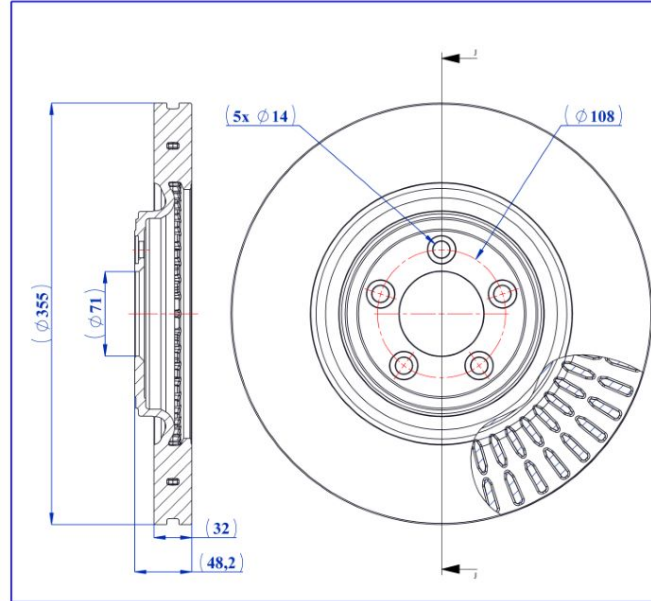


BRAKE DISC

- Front Axle
- Vented

- Safety
- Performance
- OEM Standards
- AYD Quality

OE:
C2C25337
T2R5939



AYD[®]
AUTOMOTIVE INDUSTRY

AYD NO
10-51227

MATERIAL
TYPE-1

WEIGHT
13,09 KG

BALANCING
100 %



10-51227

Technical Specifications:

Diameter (mm)	Height (mm)	Brake Disc Thickness (mm)	Min. Thickness (mm)	Centering Diameter (mm)	Bolt Hole Circle (mm)	Num. of Holes
355	48,2	32	30	71	108	5

JAGUAR

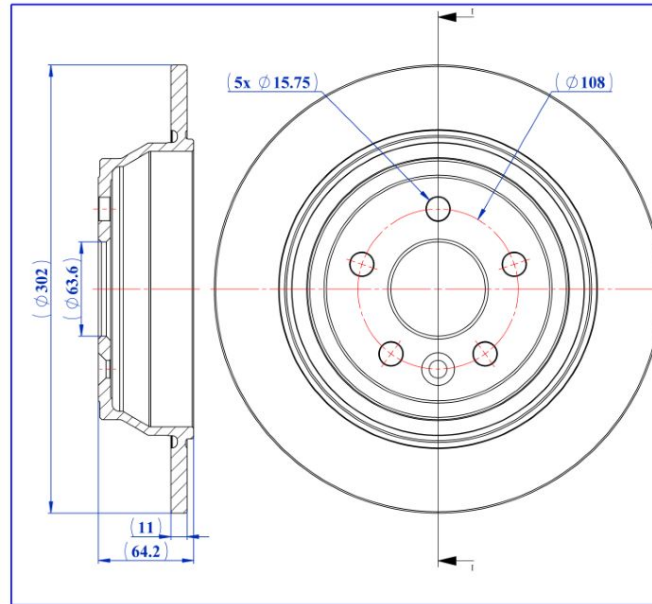
MODEL	START Y.	END Y.
F-TYPE Convertible (X152)	2012/10	
F-TYPE Coupe (X152)	2013/09	
XF I (X250)	2008/03	2015/04
XF SPORTBRAKE (X250)	2012/09	2015/12
XJ (X350. X358)	2003/03	2009/03
XJ (X351)	2009/10	
XK II Convertible (X150)	2006/03	2014/07
XK II Coupe (X150)	2006/03	2014/12



BRAKE DISC

- Rear Axle
- solid

- Safety
- Performance
- OEM Standarts
- AYD Quality



AYD[®]
AUTOMOTIVE INDUSTRY

AYD NO
10-51160

MATERIAL
TYPE-1

WEIGHT
5,69 KG

BALANCING
100 %



OE:
LR039935

10-51160

Technical Specifications:

Diameter (mm)	Height (mm)	Brake Disc Thickness (mm)	Min. Thickness (mm)	Centering Diameter (mm)	Bolt Hole Circle (mm)	Num. of Holes
302	64,2	11	9	63,6	108	5+1

LAND ROVER

MODEL	START Y.	END Y.
FREELANDER 2 (L359)	2006/10	2015/12
FREELANDER 2 VAN (L359)	2006/10	2014/10

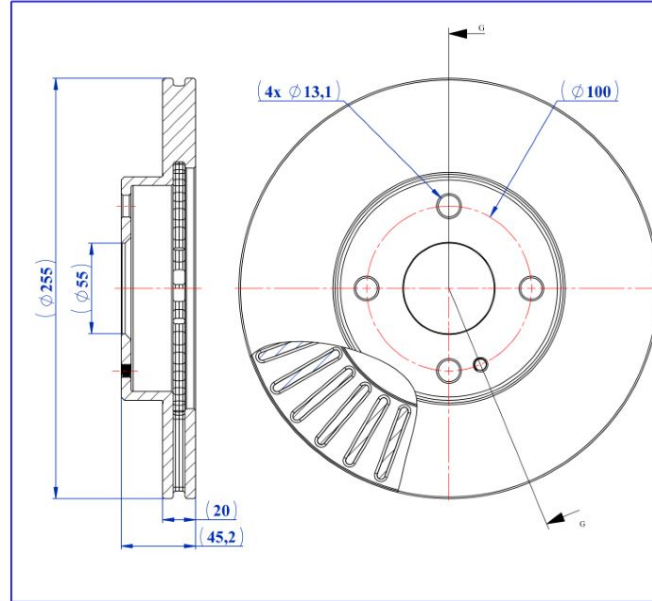


BRAKE DISC

- Front Axle
- Vented

- Safety
- Performance
- OEM Standards
- AYD Quality

OE:
NA753325X
N0263325XC
NA753325XC



AYD[®]
AUTOMOTIVE INDUSTRY

AYD NO
10-51172

MATERIAL
TYPE-1

WEIGHT
4,65 KG

BALANCING
100 %



10-51172

Technical Specifications:

Diameter (mm)	Height (mm)	Brake Disc Thickness (mm)	Min. Thickness (mm)	Centering Diameter (mm)	Bolt Hole Circle (mm)	Num. of Holes
255	45,2	20	18	55	100	4+1

MAZDA

MODEL	START Y.	END Y.
323 F V (BA)	1994/07	1998/09
MX-5 I (NA)	1989/09	1998/04
MX-5 II (NB)	1998/01	2005/10

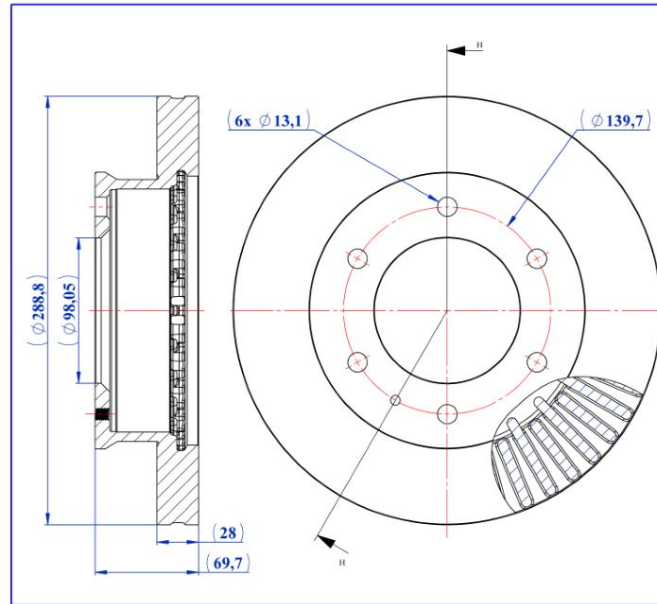


BRAKE DISC

- Front Axle
- Vented

- Safety
- Performance
- OEM Standarts
- AYD Quality

OE:
BT5033251
UM5133251
UR6133251



AYD[®]
AUTOMOTIVE INDUSTRY

AYD NO
10-51224

MATERIAL
TYPE-1

WEIGHT
8,97 KG

BALANCING
100 %



10-51224

Technical Specifications:

Diameter (mm)	Height (mm)	Brake Disc Thickness (mm)	Min. Thickness (mm)	Centering Diameter (mm)	Bolt Hole Circle (mm)	Num. of Holes
288,8	69,7	28	26	98,05	139,7	6+1

MAZDA

MODEL	START Y.	END Y.
B-SERIE (UN)	1998/11	2008/12
BT-50 Pickup (CD. UN)	2006/08	2015/12
BT-50 Platform/Chassis (CD. UN)	2006/08	



BRAKE DISC

- Rear Axle
- solid

- Safety
- Performance
- OEM Standarts
- AYD Quality

OE:
BJS726251B
B45G26251A



AYD NO 10-51253
MATERIAL TYPE-1
WEIGHT 3,6 KG
BALANCING 100 %

10-51253

Technical Specifications:

Diameter (mm)	Height (mm)	Brake Disc Thickness (mm)	Min. Thickness (mm)	Centering Diameter (mm)	Bolt Hole Circle (mm)	Num. of Holes
265	39	9	7	68	114,3	5+3

MAZDA

MODEL	START Y.	END Y.
3 (BM. BN)	2013/07	
3 Saloon (BM_. BN_)	2013/09	2019/12

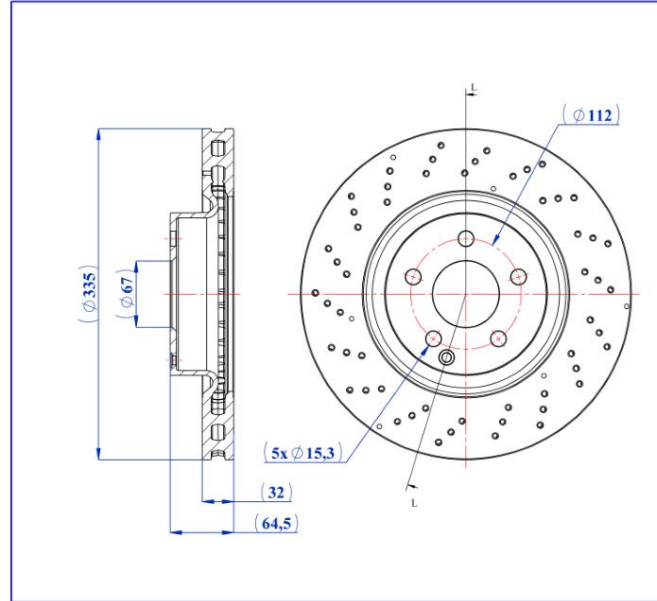


BRAKE DISC

- Front Axle
- Vented

- Safety
- Performance
- OEM Standarts
- AYD Quality

OE:
2214211712
221421171207
2214210612



AYD NO
10-51148

MATERIAL
TYPE-1

WEIGHT
11,27 KG

BALANCING
100 %



10-51148

Technical Specifications:

Diameter (mm)	Height (mm)	Brake Disc Thickness (mm)	Min. Thickness (mm)	Centering Diameter (mm)	Bolt Hole Circle (mm)	Num. of Holes
335	64,5	32	30	67	112	5+1

MERCEDES-BENZ

MODEL	START Y.	END Y.
S-CLASS (W221)	2005/09	2013/12
S-CLASS Coupe (C216)	2006/05	2013/12

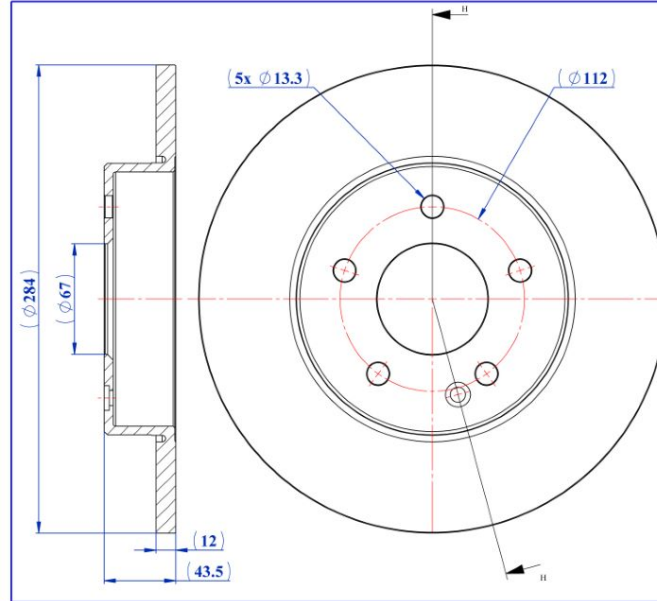
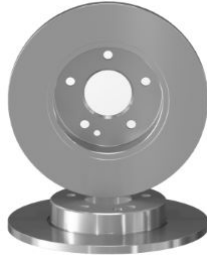


BRAKE DISC

- Front Axle
- solid

- Safety
- Performance
- OEM Standarts
- AYD Quality

OE:
202421021264
2024210212



AYD[®]
AUTOMOTIVE INDUSTRY

AYD NO
10-51156

MATERIAL
TYPE-1

WEIGHT
4.94 KG

BALANCING
100 %



10-51156

Technical Specifications:

Diameter (mm)	Height (mm)	Brake Disc Thickness (mm)	Min. Thickness (mm)	Centering Diameter (mm)	Bolt Hole Circle (mm)	Num. of Holes
284	43,5	12	10	67	112	5+1

MERCEDES-BENZ

MODEL	START Y.	END Y.
C-CLASS (W202)	1993/03	2000/05

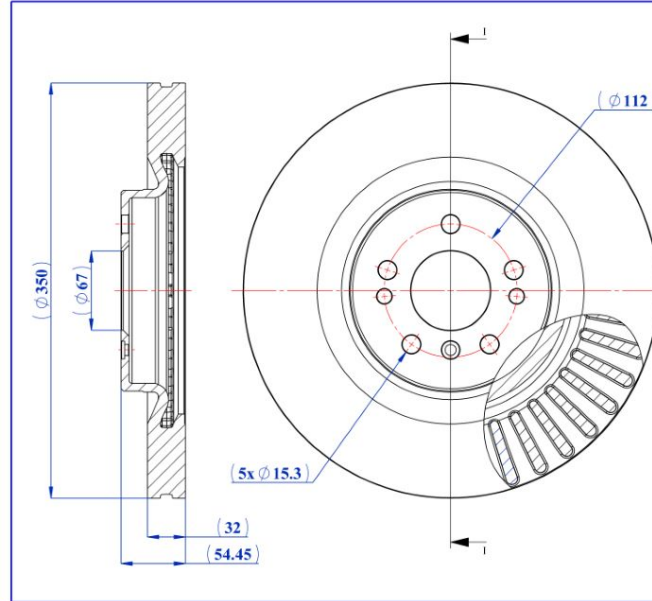


BRAKE DISC

- Front Axle
- Vented

- Safety
- Performance
- OEM Standarts
- AYD Quality

OE:
1644211412
1644210512



AYD[®]
AUTOMOTIVE INDUSTRY

AYD NO
10-51225

MATERIAL
TYPE-1

WEIGHT
13,44 KG

BALANCING
100 %



10-51225

Technical Specifications:

Diameter (mm)	Height (mm)	Brake Disc Thickness (mm)	Min. Thickness (mm)	Centering Diameter (mm)	Bolt Hole Circle (mm)	Num. of Holes
350	54,45	32	29,4	67	112	5+3

MERCEDES-BENZ

MODEL	START Y.	END Y.
GL-CLASS (X164)	2006/09	2012/12
M-CLASS (W164)	2005/02	2012/12
R-CLASS (W251. V251)	2005/08	2017/10

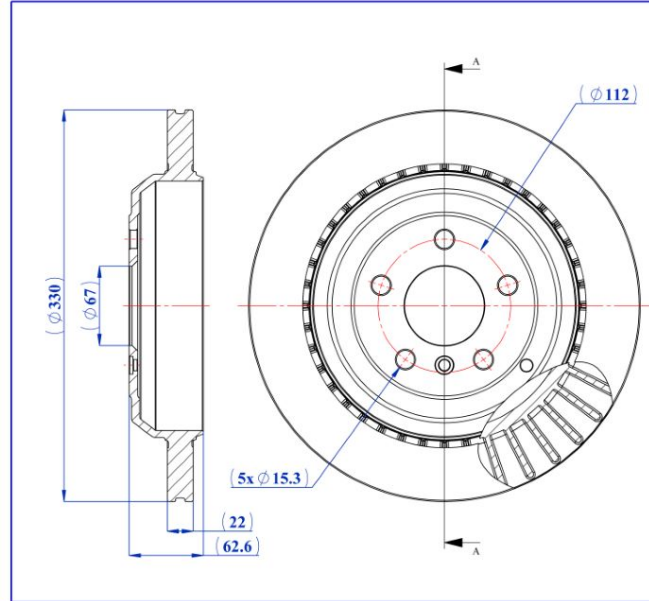


BRAKE DISC

- Rear Axle
- Vented

- Safety
- Performance
- OEM Standarts
- AYD Quality

OE:
1644231312
1644230612
1644231112



AYD[®]
AUTOMOTIVE INDUSTRY

AYD NO
10-51226

MATERIAL
TYPE-1

WEIGHT
8,21 KG

BALANCING
100 %



10-51226

Technical Specifications:

Diameter (mm)	Height (mm)	Brake Disc Thickness (mm)	Min. Thickness (mm)	Centering Diameter (mm)	Bolt Hole Circle (mm)	Num. of Holes
330	62,6	22	19,4	67	112	5+2

MERCEDES-BENZ

MODEL	START Y.	END Y.
GL-CLASS (X164)	2006/09	2012/12
M-CLASS (W164)	2005/02	2012/12
R-CLASS (W251. V251)	2005/08	2017/10

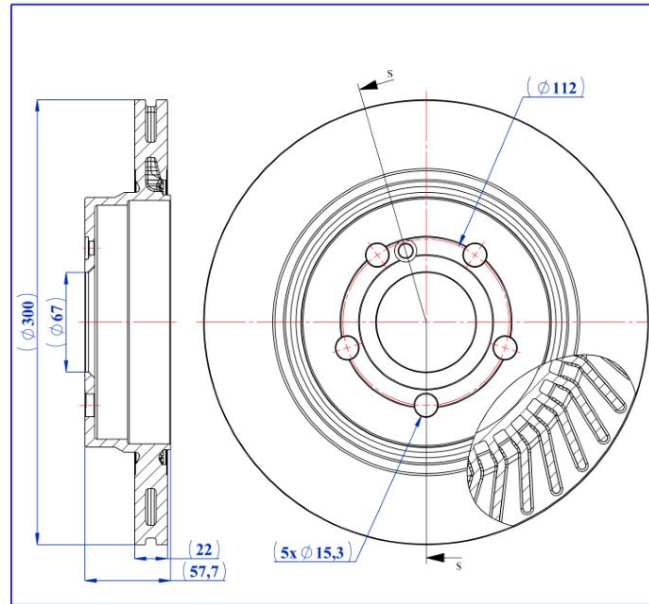


BRAKE DISC

- Rear Axle
- Vented

- Safety
- Performance
- OEM Standarts
- AYD Quality

OE:
000423121207
2044230712
423121207



AYD[®]
AUTOMOTIVE INDUSTRY

AYD NO
10-51228

MATERIAL
TYPE-1

WEIGHT
7,30 KG

BALANCING
100 %



10-51228

Technical Specifications:

Diameter (mm)	Height (mm)	Brake Disc Thickness (mm)	Min. Thickness (mm)	Centering Diameter (mm)	Bolt Hole Circle (mm)	Num. of Holes
300	57,7	22	19,4	67	112	5+1

MERCEDES-BENZ

MODEL	START Y.	END Y.
C-CLASS (W204)	2007/01	2015/01
C-CLASS Coupe (C204)	2011/01	
C-CLASS T-Model (S204)	2007/08	2014/08
E-CLASS Convertible (A207)	2010/01	2016/12
E-CLASS Coupe (C207)	2009/01	2016/12



BRAKE DISC

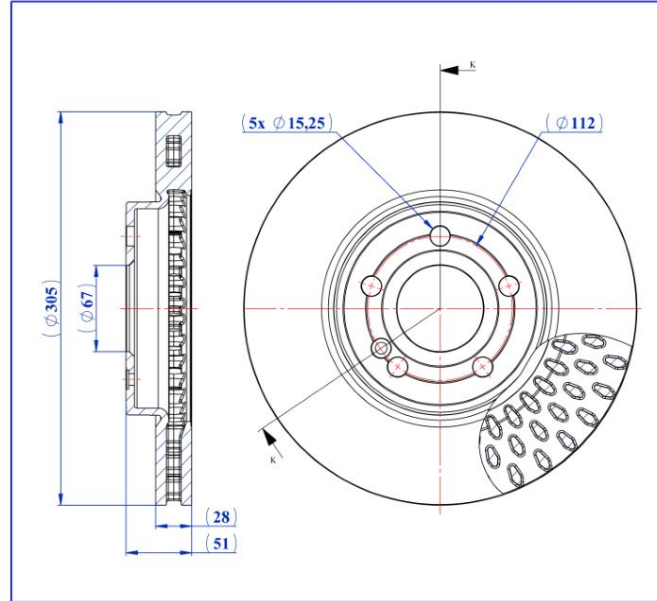
- Front Axle
- Vented

- Safety
- Performance
- OEM Standards
- AYD Quality



OE:
247421041207
2474210412

10-51244



AYD[®]
AUTOMOTIVE INDUSTRY

AYD NO
10-51244

MATERIAL
TYPE-1

WEIGHT
7,91 KG

BALANCING
100 %



Technical Specifications:

Diameter (mm)	Height (mm)	Brake Disc Thickness (mm)	Min. Thickness (mm)	Centering Diameter (mm)	Bolt Hole Circle (mm)	Num. of Holes
305	51	28	25.4	67	112	5+1

MERCEDES-BENZ

MODEL	START Y.	END Y.
A-CLASS (W177)	2018/03	
A-CLASS Saloon (V177)	2018/09	
B-CLASS Sports Tourer (W247)	2018/12	
CLA (C118)	2019/03	
CLA Shooting Brake (X118)	2019/06	
GLA (H247)	2020/02	
GLB (X247)	2019/07	

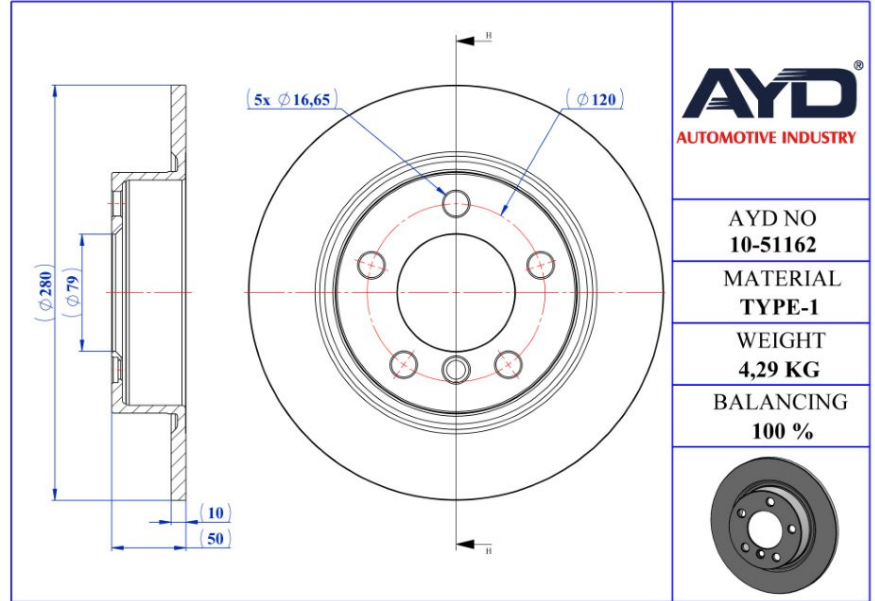


BRAKE DISC

- Rear Axle
- solid

- Safety
- Performance
- OEM Standarts
- AYD Quality

OE:
34219811539
34209804830



AYD[®]
AUTOMOTIVE INDUSTRY

AYD NO
10-51162

MATERIAL
TYPE-1

WEIGHT
4,29 KG

BALANCING
100 %



10-51162

Technical Specifications:

Diameter (mm)	Height (mm)	Brake Disc Thickness (mm)	Min. Thickness (mm)	Centering Diameter (mm)	Bolt Hole Circle (mm)	Num. of Holes
280	50	10	8,4	79	120	5+1

MINI

MODEL	START Y.	END Y.
MINI COUNTRYMAN (R60)	2010/08	2016/10
MINI PACEMAN (R61)	2012/03	2016/10

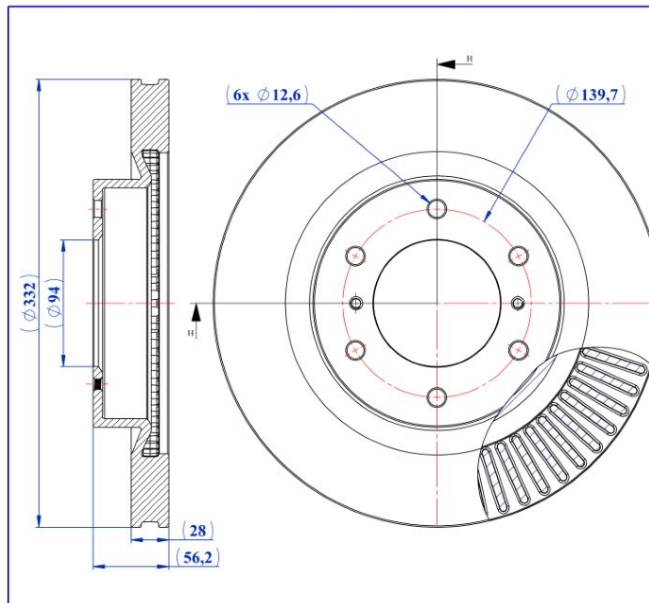


BRAKE DISC

- Front Axle
- Vented

- Safety
- Performance
- OEM Standarts
- AYD Quality

OE:
MZ690870
4615A038



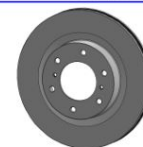
AYD[®]
AUTOMOTIVE INDUSTRY

AYD NO
10-51236

MATERIAL
TYPE-1

WEIGHT
9,19 KG

BALANCING
100 %



10-51236

Technical Specifications:

Diameter (mm)	Height (mm)	Brake Disc Thickness (mm)	Min. Thickness (mm)	Centering Diameter (mm)	Bolt Hole Circle (mm)	Num. of Holes
332	56,2	28	26	94	139,7	6+2

MITSUBISHI

MODEL	START Y.	END Y.
PAJERO IV (V8_W. V9_W)	2006/10	
PAJERO IV Van (V9_. V8_. V8_V)	2006/11	

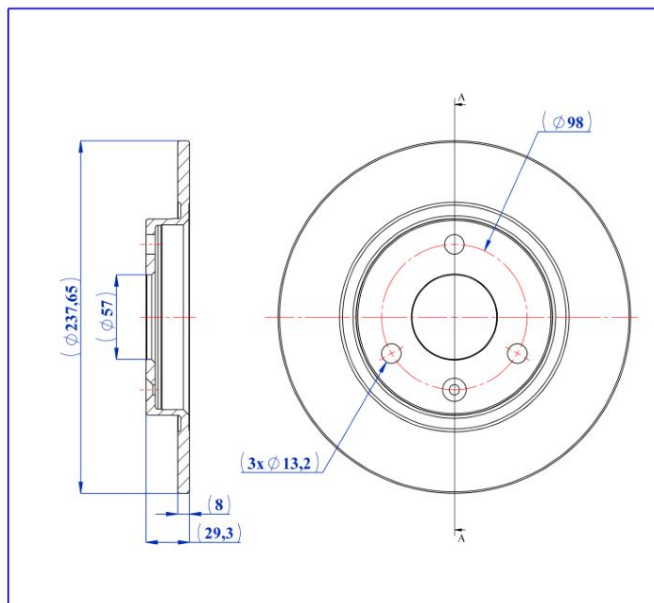


BRAKE DISC

- Front Axle
- solid

- Safety
- Performance
- OEM Standarts
- AYD Quality

OE:
1618859880
E169004
4246F8



AYD[®]
AUTOMOTIVE INDUSTRY

AYD NO
10-51141

MATERIAL
TYPE-1

WEIGHT
2,41 KG

BALANCING
100 %



10-51141

Technical Specifications:

Diameter (mm)	Height (mm)	Brake Disc Thickness (mm)	Min. Thickness (mm)	Centering Diameter (mm)	Bolt Hole Circle (mm)	Num. of Holes
237,65	29,3	8	6	57	98	3+1

PEUGEOT

MODEL	START Y.	END Y.
106 I (1A. 1C)	1991/08	1996/04
106 II (1A_. 1C_)	1996/04	2005/05
106 Van I Hatchback Van (1S_)	1991/08	1996/03
106 Van II Hatchback Van (1S_)	1996/04	2001/03



BRAKE DISC

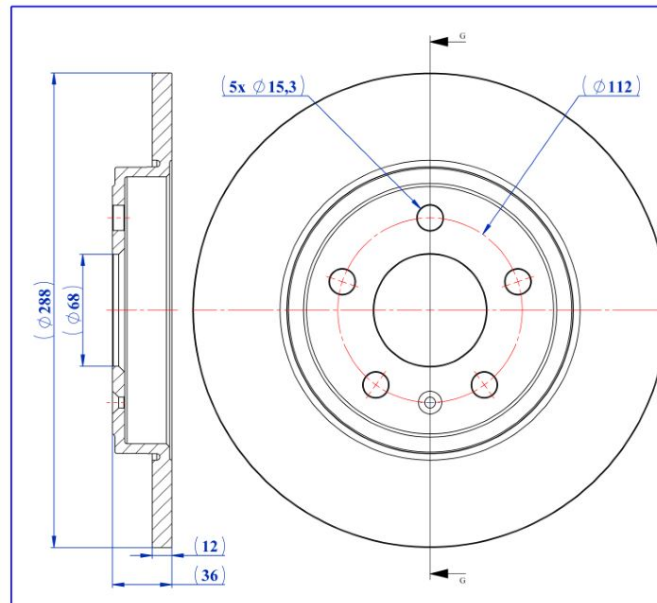
- Rear Axle
- solid

- Safety
- Performance
- OEM Standarts
- AYD Quality



OE:
8E0615601M

10-51159



AYD
AUTOMOTIVE INDUSTRY

AYD NO
10-51159

MATERIAL
TYPE-1

WEIGHT
5,05 KG

BALANCING
100 %



Technical Specifications:

Diameter (mm)	Height (mm)	Brake Disc Thickness (mm)	Min. Thickness (mm)	Centering Diameter (mm)	Bolt Hole Circle (mm)	Num. of Holes
288	36	12	10	68	112	5+1

SEAT

MODEL	START Y.	END Y.
EXEO (3R2)	2008/12	2013/05
EXEO ST (3R5)	2009/05	2013/05

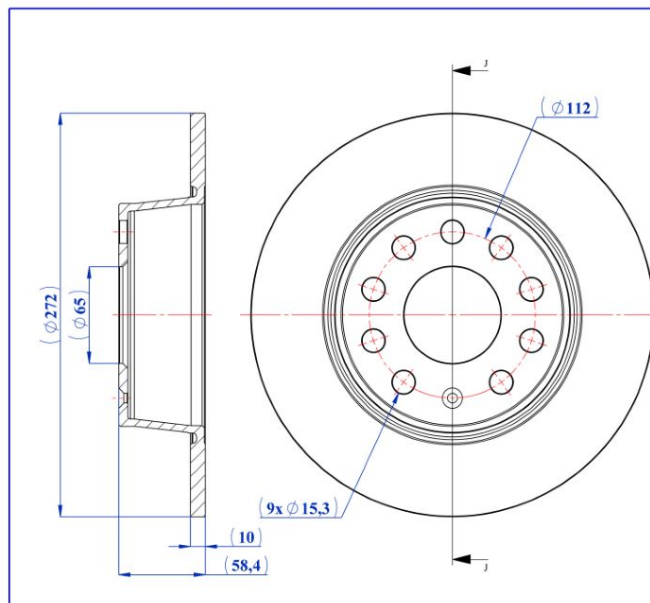


BRAKE DISC

- Rear Axle
- solid

- Safety
- Performance
- OEM Standarts
- AYD Quality

OE:
5Q0615601
5Q0615601B



AYD[®]
AUTOMOTIVE INDUSTRY

AYD NO
10-51210

MATERIAL
TYPE-1

WEIGHT
4,08 KG

BALANCING
100 %



10-51210

Technical Specifications:

Diameter (mm)	Height (mm)	Brake Disc Thickness (mm)	Min. Thickness (mm)	Centering Diameter (mm)	Bolt Hole Circle (mm)	Num. of Holes
272	58,4	10	8	65	112	9+1

SEAT

MODEL	START Y.	END Y.
ATECA (KH7. KHP)	2016/04	
LEON (5F1)	2012/09	2021/05
LEON SC (5F5)	2013/01	2018/12
LEON ST (5F8)	2012/09	2020/08



BRAKE DISC

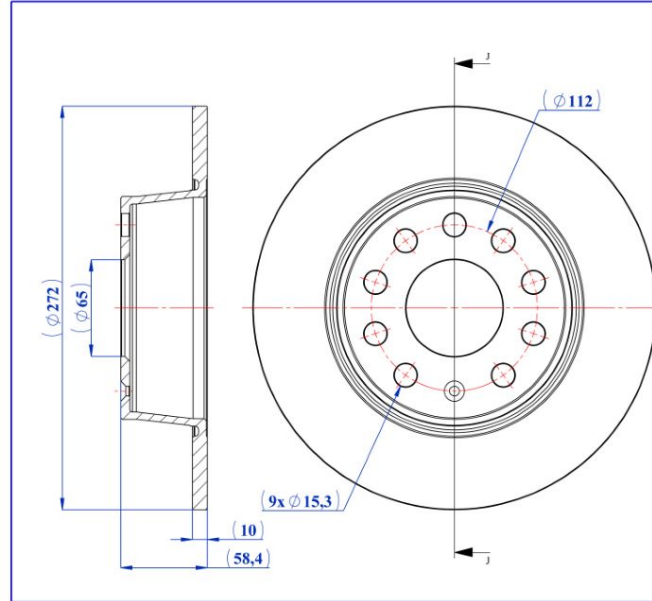
- Rear Axle
- solid

- Safety
- Performance
- OEM Standarts
- AYD Quality



OE:
5Q0615601B

10-51210



AYD[®]
AUTOMOTIVE INDUSTRY

AYD NO
10-51210

MATERIAL
TYPE-1

WEIGHT
4,08 KG

BALANCING
100 %



Technical Specifications:

Diameter (mm)	Height (mm)	Brake Disc Thickness (mm)	Min. Thickness (mm)	Centering Diameter (mm)	Bolt Hole Circle (mm)	Num. of Holes
272	58,4	10	8	65	112	9+1

SKODA

MODEL	START Y.	END Y.
KAROQ (NU7. ND7)	2017/07	
OCTAVIA IV (NX3. NN3)	2020/01	
OCTAVIA IV Combi (NX5)	2019/11	

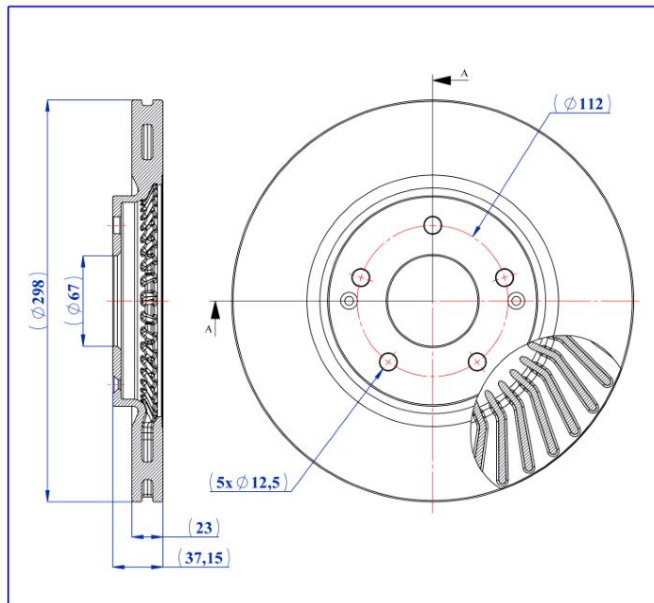


BRAKE DISC

- Front Axle
- Vented

- Safety
- Performance
- OEM Standarts
- AYD Quality

OE:
4144135000
4144135001



AYD NO
10-51243

MATERIAL
TYPE-1

WEIGHT
6,89 KG

BALANCING
100 %



10-51243

Technical Specifications:

Diameter (mm)	Height (mm)	Brake Disc Thickness (mm)	Min. Thickness (mm)	Centering Diameter (mm)	Bolt Hole Circle (mm)	Num. of Holes
298	37.15	23	21.4	67	112	5+2

SSANGYONG

MODEL	START Y.	END Y.
TIVOLI	2015/01	
XLV SUV	2016/04	
XLV VAN	2016/04	

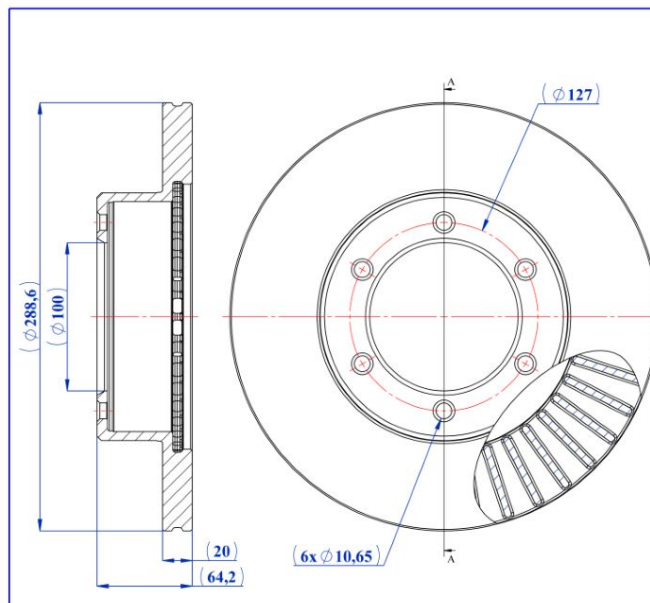


BRAKE DISC

- Front Axle
- Vented

- Safety
- Performance
- OEM Standards
- AYD Quality

OE:
4351235190
4351235110
4351235270



AYD
AUTOMOTIVE INDUSTRY

AYD NO
10-51151

MATERIAL
TYPE-1

WEIGHT
6,29 KG

BALANCING
100 %



10-51151

Technical Specifications:

Diameter (mm)	Height (mm)	Brake Disc Thickness (mm)	Min. Thickness (mm)	Centering Diameter (mm)	Bolt Hole Circle (mm)	Num. of Holes
288,6	64,2	20	18	100	127	6

TOYOTA

MODEL	START Y.	END Y.
4 RUNNER I (_N5_. _N6_. _N7_)	1984/07	1989/10
4 RUNNER II (_N1_)	1987/08	1996/12
HILUX II SUV (LN_. KZN1_. VZN1_. RN1_)	1988/08	1998/11
HILUX IV Pickup (_N5_. _N6_)	1982/11	1989/12
HILUX V Pickup (_N_. KZN1_. VZN1_)	1988/09	2001/08
HILUX VI Pickup (_N1_)	1994/08	2006/03

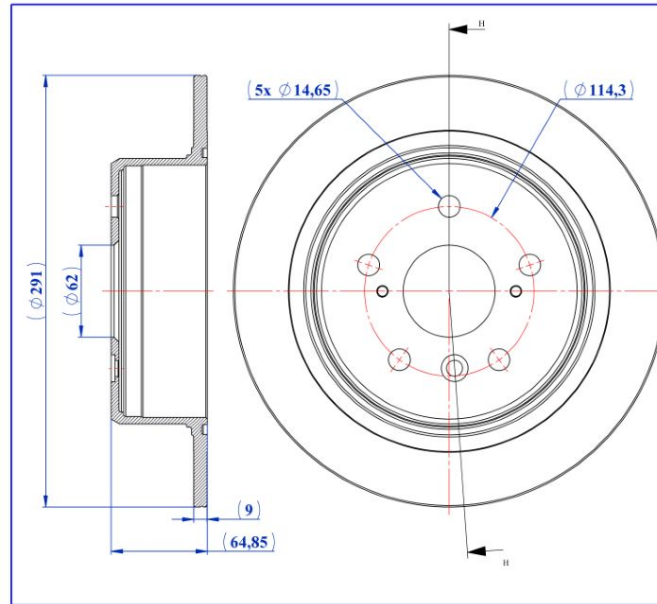


BRAKE DISC

- Rear Axle
- solid

- Safety
- Performance
- OEM Standards
- AYD Quality

OE:
4243107040
4243107020
4243107010



AYD[®]
AUTOMOTIVE INDUSTRY

AYD NO
10-51261

MATERIAL
TYPE-1

WEIGHT
4,57 KG

BALANCING
100 %



10-51261

Technical Specifications:

Diameter (mm)	Height (mm)	Brake Disc Thickness (mm)	Min. Thickness (mm)	Centering Diameter (mm)	Bolt Hole Circle (mm)	Num. of Holes
291	64.85	9	8	62	114.3	5+3

TOYOTA

MODEL	START Y.	END Y.
AVALON Saloon (_X1_)	1994/09	2006/03

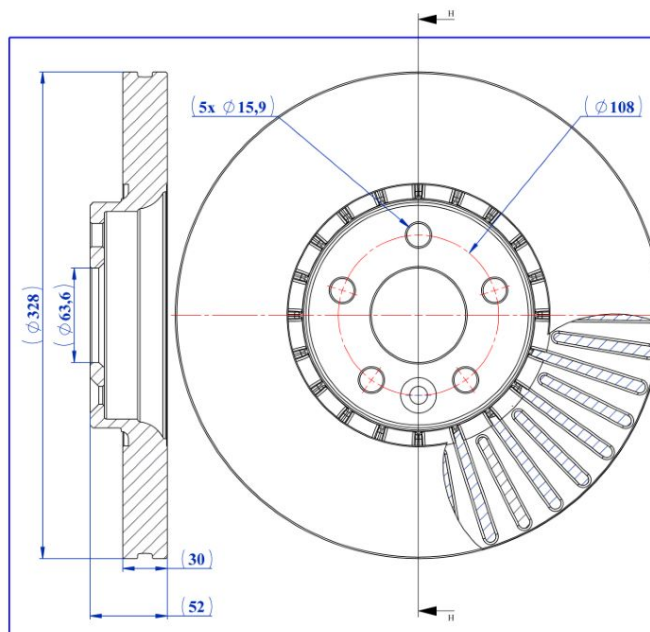


BRAKE DISC

- Front Axle
- Vented

- Safety
- Performance
- OEM Standarts
- AYD Quality

OE:
31471034
31410568
31381986



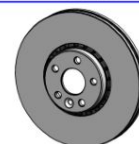
AYD
AUTOMOTIVE INDUSTRY

AYD NO
10-51171

MATERIAL
TYPE-1

WEIGHT
12,25 KG

BALANCING
100 %



10-51171

Technical Specifications:

Diameter (mm)	Height (mm)	Brake Disc Thickness (mm)	Min. Thickness (mm)	Centering Diameter (mm)	Bolt Hole Circle (mm)	Num. of Holes
328	52	30	28	63,6	108	5+1

VOLVO

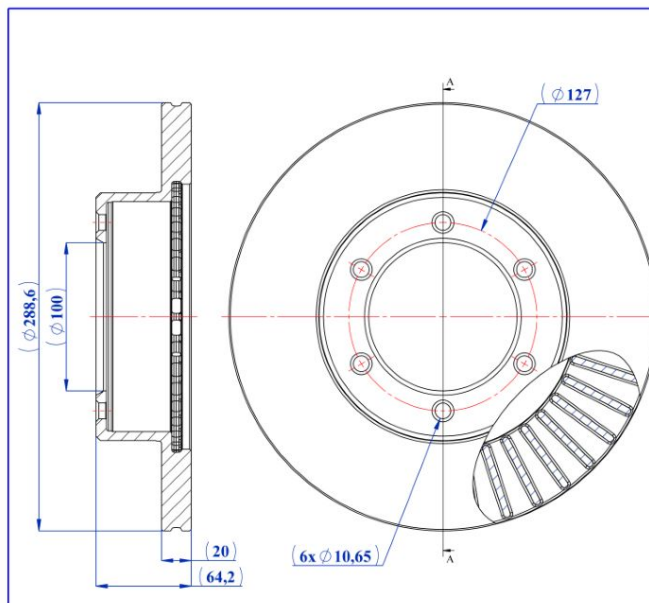
MODEL	START Y.	END Y.
XC60 I SUV (156)	2008/05	2017/12
XC60 I VAN (156)	2008/05	2017/12



BRAKE DISC

- Front Axle
- Vented

- Safety
- Performance
- OEM Standarts
- AYD Quality



AYD NO
10-51151

MATERIAL
TYPE-1

WEIGHT
6,29 KG

BALANCING
100 %



OE:
J4351235190

10-51151

Technical Specifications:

Diameter (mm)	Height (mm)	Brake Disc Thickness (mm)	Min. Thickness (mm)	Centering Diameter (mm)	Bolt Hole Circle (mm)	Num. of Holes
288,6	64,2	20	18	100	127	6

VW

MODEL	START Y.	END Y.
TARO	1989/04	1997/03

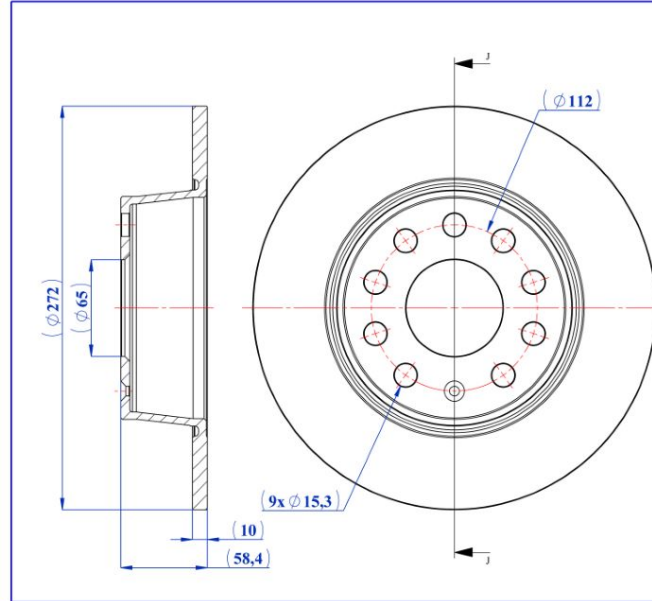


BRAKE DISC

- Rear Axle
- solid

- Safety
- Performance
- OEM Standards
- AYD Quality

OE:
5Q0615601B
5QN615601A



AYD[®]
AUTOMOTIVE INDUSTRY

AYD NO
10-51210

MATERIAL
TYPE-1

WEIGHT
4,08 KG

BALANCING
100 %



10-51210

Technical Specifications:

Diameter (mm)	Height (mm)	Brake Disc Thickness (mm)	Min. Thickness (mm)	Centering Diameter (mm)	Bolt Hole Circle (mm)	Num. of Holes
272	58,4	10	8	65	112	9+1

VW

MODEL	START Y.	END Y.
JETTA VII Saloon (BU3. BU4)	2017/12	
T-ROC (A11. D11)	2017/07	
TAOS (CL1. CP1. CQ1)	2020/07	



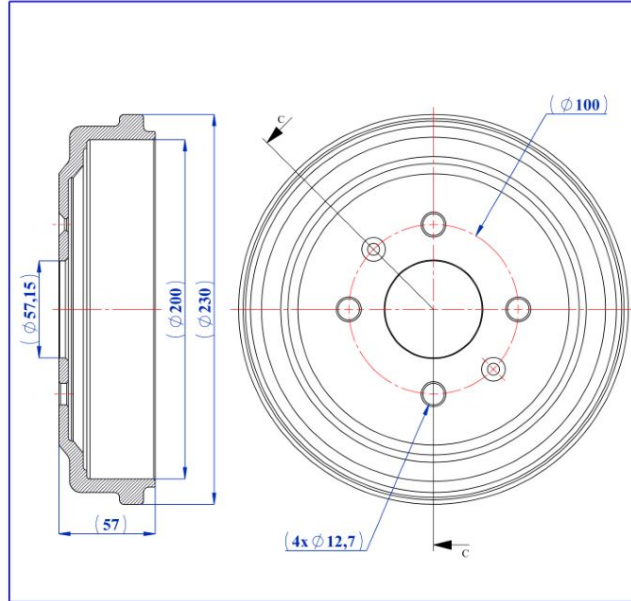
BRAKE DRUM

• Rear Axle

- Safety
- Performance
- OEM Standards
- AYD Quality

OE:
95245601

13-51258



AYD[®]
AUTOMOTIVE INDUSTRY

AYD NO
13-51258

MATERIAL
TYPE-1

WEIGHT
3,77 KG

BALANCING
100 %



Technical Specifications:

Diameter (mm)	Height (mm)	Brake Diameter Inside (mm)	Max. Skimmed Drum Mea. (mm)	Centering Diameter (mm)	Bolt Hole Circle (mm)	Num. of Holes
230	57	200	201	57,15	100	4+2

CHEVROLET

MODEL	START Y.	END Y.
SPARK (M400)	2015/11	

