

new to range

AYD[®]
AUTOMOTIVE INDUSTRY

SPEED TO MARKET SECOND TO NONE



BRAKE WITH CONFIDENCE



SAFETY

PERFORMANCE

OEM Standards

AYD QUALITY

www.aydtr.com

500
Top 500 Industrial Enterprises of Turkey

1000
TÜRKİYE'NİN İLK 1000 İNŞAATÇI FİRMASI
TOP 1000 EXPORTERS OF TURKEY

APRIL 2024

INDEX

CADILLAC	3
CHEVROLET	4-5
CHRYSLER	6
CITROEN	7
DODGE	8
FORD	9
FORD USA	10
HYUNDAI	11-12
JEEP	13-14
KIA	15
LINCOLN	16
MAZDA	17
MERCEDES BENZ	18
OPEL	19
TESLA	20
VAUXHALL	21

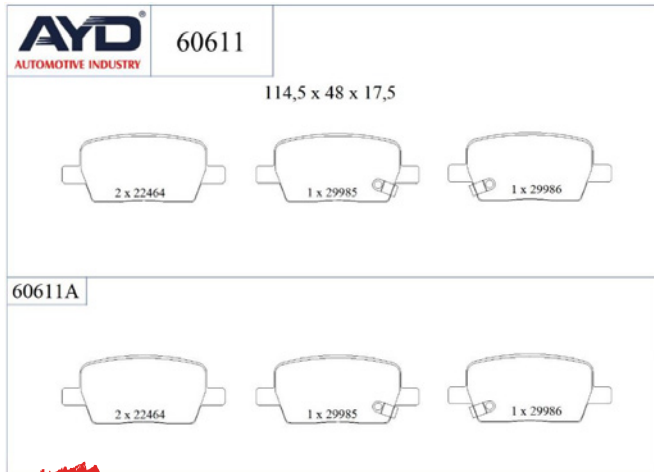
BRAKE PAD

11-60611



• Rear Axle

OE:
84757793



• Safety
• Performance
• OEM Standarts
• AYD Quality

WVA :22464-22465-22466

Technical Specifications:

Code	Shim	Wear Indicator	Indicator Type	Piston Spring	Compression Spring	Rivet	Clips	Bolt	Plastic Plug	Kit
60611A	4	2	-	-	-	-	-	-	-	-

CADILLAC

MODEL	START D.	END Y.
CT6	2015/11	2020/12



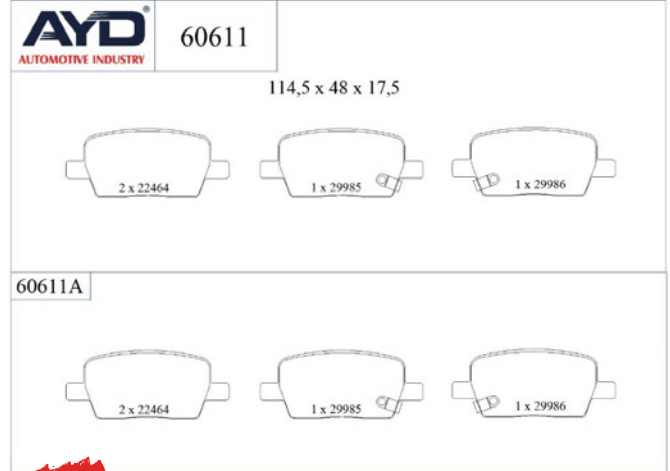
BRAKE PAD

11-60611



• Rear Axle

OE:
23344220



- Safety
- Performance
- OEM Standarts
- AYD Quality

WVA :22464-22465-22466

Technical Specifications:

Code	Shim	Wear Indicator	Indicator Type	Piston Spring	Compression Spring	Rivet	Clips	Bolt	Plastic Plug	Kit
60611A	4	2	-	-	-	-	-	-	-	-

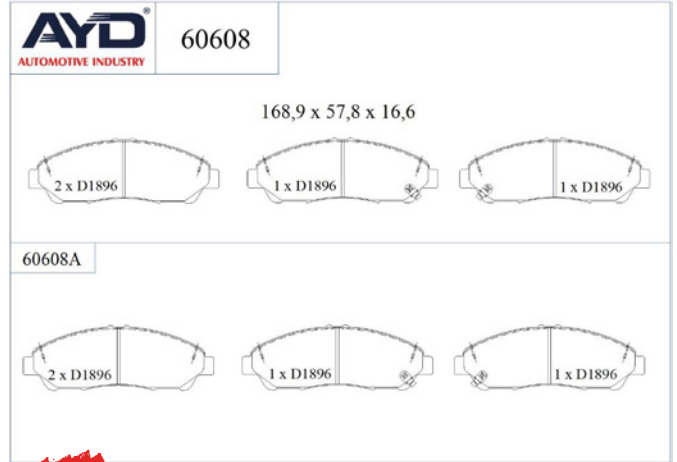
CHEVROLET

MODEL	START D.	END Y.
CAMARO	2015/09	
CAMARO Convertible	2015/09	



BRAKE PAD

11-60608



• Front Axle

OE:
22972580

- Safety
- Performance
- OEM Standarts
- AYD Quality

WVA :22452-22453-22454

Technical Specifications:

Code	Shim	Wear Indicator	Indicator Type	Piston Spring	Compression Spring	Rivet	Clips	Bolt	Plastic Plug	Kit
60608A	4	2	-	-	-	-	-	1	-	

CHEVROLET (SGM)

MODEL	START D.	END Y.
BLAZER (SN4)	2020/04	



BRAKE PAD

11-60266



• Rear Axle

OE:
05139902AA



• Safety
• Performance
• OEM Standarts
• AYD Quality

WVA :21919

Technical Specifications:

Code	Shim	Wear Indicator	Indicator Type	Piston Spring	Compression Spring	Rivet	Clips	Bolt	Plastic Plug	Kit
60266A	4	-	-	-	-	-	-	-	-	-
60266B	4	-	-	-	-	-	4	-	-	-

CHRYSLER

MODEL	START D.	END Y.
CROSSFIRE	2003/07	2008/12
CROSSFIRE Roadster	2004/05	2008/12



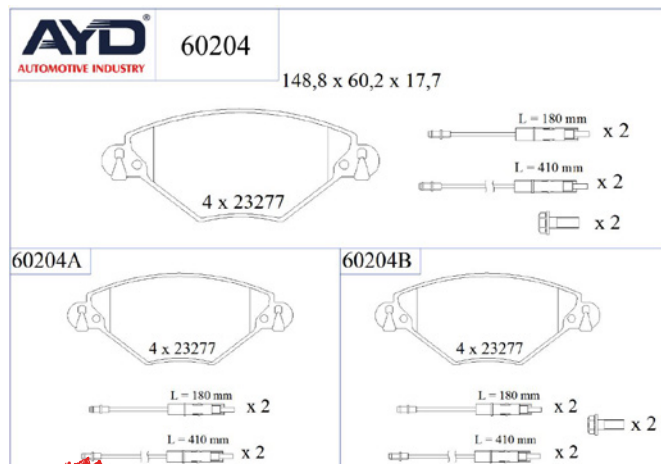
BRAKE PAD

11-60204



• Front Axle

OE:
425248



• Safety
• Performance
• OEM Standards
• AYD Quality

WVA :23277

Technical Specifications:

Code	Shim	Wear Indicator	Indicator Type	Piston Spring	Compression Spring	Rivet	Clips	Bolt	Plastic Plug	Kit
60204A	4	4	-	-	8	-	-	-	-	-
60204B	4	4	-	-	8	-	-	2	-	-

CITROËN

MODEL	START D.	END Y.
C5 Estate Van (DE_ . RE_)	2002/06	2008/01
C5 I (DC_)	2001/03	2005/03
C5 I Break (DE_)	2001/06	2004/09
C5 II (RC_)	2004/08	2008/09
C5 II Break (RE_)	2004/09	
C5 III Break (RW_)	2008/02	



BRAKE PAD

11-60619



• Rear Axle

OE:
V2013776AB

AYD AUTOMOTIVE INDUSTRY	60619	116,5 x 45,9 x 16,6		
	2 x 24603	1 x 24602	1 x 24602	
60619A				
	2 x 24603	1 x 24602	1 x 24602	

- Safety
- Performance
- OEM Standarts
- AYD Quality

WVA :24602-24603

Technical Specifications:

Code	Shim	Wear Indicator	Indicator Type	Piston Spring	Compression Spring	Rivet	Clips	Bolt	Plastic Plug	Kit
60619A	4	2	-	-	-	-	-	-	-	-

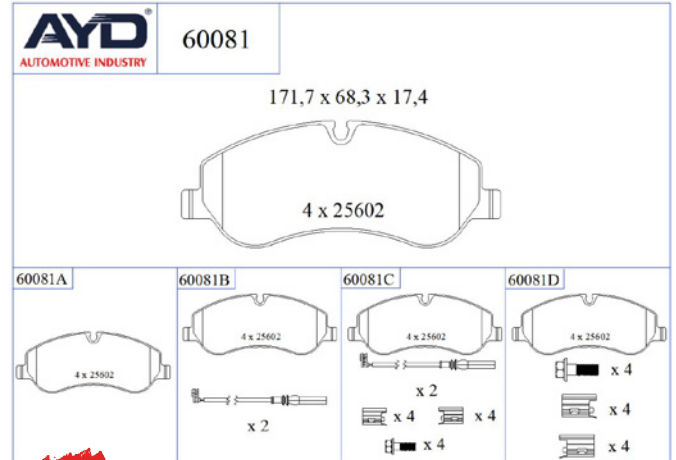
DODGE

MODEL	START D.	END Y.
NITRO	2006/09	2012/12
NITRO VAN (KA)	2006/09	2011/12



BRAKE PAD

11-60081



• Front Axle

OE:
BK212K021AC

• Safety
• Performance
• OEM Standards
• AYD Quality

WVA :25602

Technical Specifications:

Code	Shim	Wear Indicator	Indicator Type	Piston Spring	Compression Spring	Rivet	Clips	Bolt	Plastic Plug	Kit
60081A	4	-	-	-	-	-	-	-	-	-
60081B	4	2	-	-	-	-	-	-	-	-
60081C	4	2	-	-	-	-	8	4	-	-
60081D	4	-	-	-	-	-	8	4	-	-

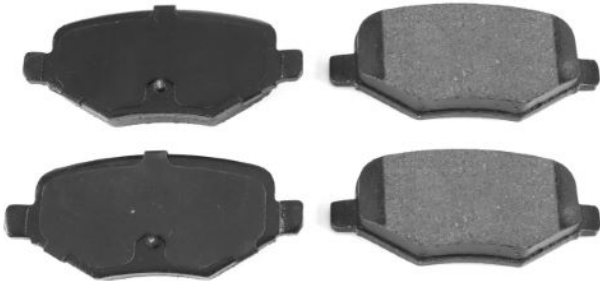
FORD

MODEL	START D.	END Y.
TOURNEO CUSTOM V362 Bus (F3)	2012/04	
TRANSIT CUSTOM V362 Bus (F3)	2012/04	
TRANSIT CUSTOM V362 Van (FY. FZ)	2012/09	
TRANSIT V363 Bus (FAD. FBD)	2013/08	
TRANSIT V363 Platform/Chassis (FED. FFD)	2013/08	
TRANSIT V363 Van (FCD. FDD)	2013/08	



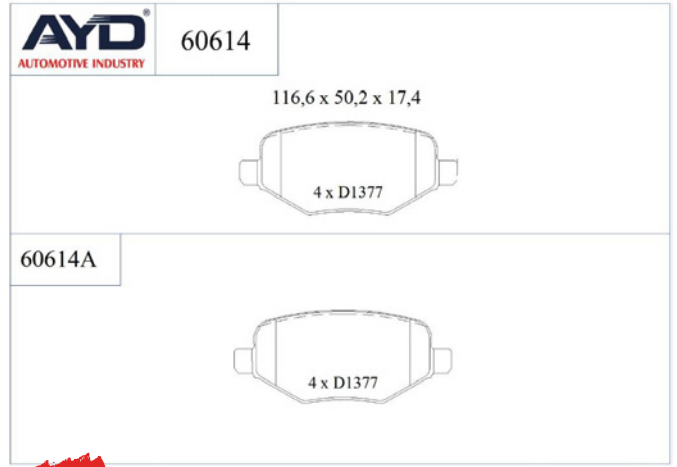
BRAKE PAD

11-60614



• Rear Axle

OE:
BT4Z2200A



- Safety
- Performance
- OEM Standarts
- AYD Quality

WVA :25886

Technical Specifications:

Code	Shim	Wear Indicator	Indicator Type	Piston Spring	Compression Spring	Rivet	Clips	Bolt	Plastic Plug	Kit
60614A	4	-	-	-	-	-	-	-	-	-

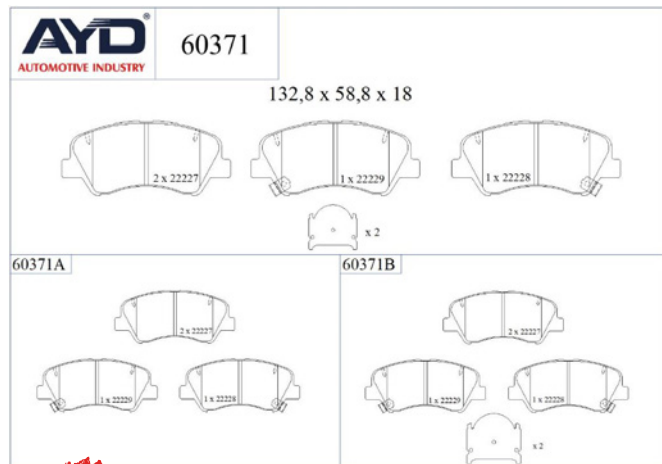
FORD USA

MODEL	START D.	END Y.
EDGE (U387)	2006/01	
EXPLORER (U5_)	2010/10	
FLEX	2008/09	
TAURUS	2009/09	



BRAKE PAD

11-60371



• Front Axle

OE:
58302H5A00

· Safety
· Performance
· OEM Standarts
· AYD Quality

WVA :22227-22228-22229

Technical Specifications:

Code	Shim	Wear Indicator	Indicator Type	Piston Spring	Compression Spring	Rivet	Clips	Bolt	Plastic Plug	Kit
60371A	4	2	-	-	-	-	-	-	-	-
60371B	4	2	-	-	-	-	2	-	-	-

HYUNDAI

MODEL	START D.	END Y.
BAYON (BC3)	2021/05	
i20 III (BC3, BI3)	2020/08	



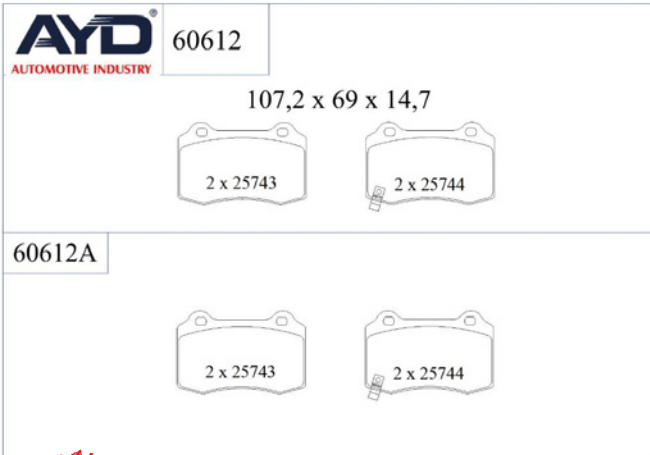
BRAKE PAD

11-60612



• Rear Axle

OE:
583022MA10



• Safety
• Performance
• OEM Standarts
• AYD Quality

WVA :25743-25744

Technical Specifications:

Code	Shim	Wear Indicator	Indicator Type	Piston Spring	Compression Spring	Rivet	Clips	Bolt	Plastic Plug	Kit
60612A	4	2	-	-	-	-	-	-	-	-

HYUNDAI

MODEL	START D.	END Y.
GENESIS Coupe	2008/01	



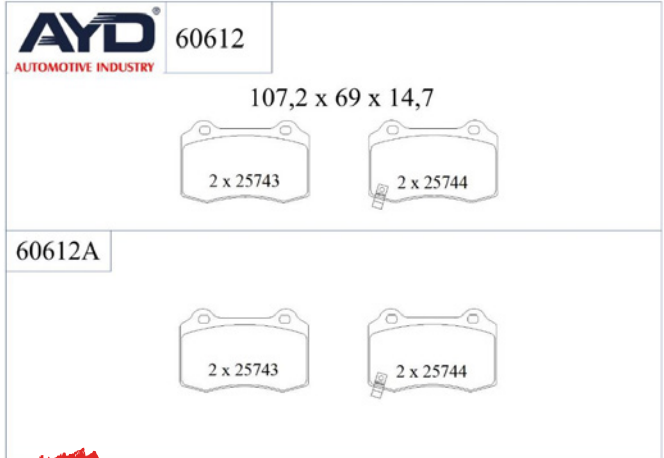
BRAKE PAD

11-60612



• Rear Axle

OE:
K68144432AA



- Safety
- Performance
- OEM Standarts
- AYD Quality

WVA :25743-25744

Technical Specifications:

Code	Shim	Wear Indicator	Indicator Type	Piston Spring	Compression Spring	Rivet	Clips	Bolt	Plastic Plug	Kit
60612A	4	2	-	-	-	-	-	-	-	-

JEEP

MODEL	START D.	END Y.
GRAND CHEROKEE IV (WK. WK2)	2010/06	
GRAND CHEROKEE VAN (WK2)	2010/06	



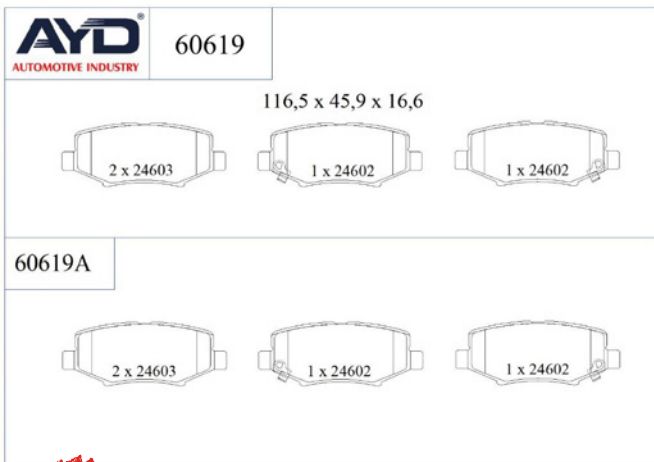
BRAKE PAD

11-60619



• Rear Axle

OE:
LC003777AA



• Safety
• Performance
• OEM Standarts
• AYD Quality

WVA :24602-24603

Technical Specifications:

Code	Shim	Wear Indicator	Indicator Type	Piston Spring	Compression Spring	Rivet	Clips	Bolt	Plastic Plug	Kit
60619A	4	2	-	-	-	-	-	-	-	-

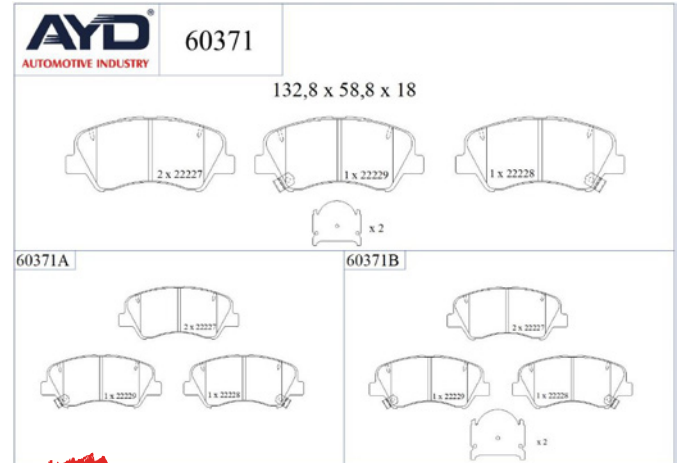
JEEP

MODEL	START D.	END Y.
CHEROKEE (KK)	2007/09	
COMPASS (MK49)	2006/08	
WRANGLER III (JK)	2006/06	



BRAKE PAD

11-60371



• Front Axle

OE:
58101H8A58

· Safety
· Performance
· OEM Standarts
· AYD Quality

WVA :22227-22228-22229

Technical Specifications:

Code	Shim	Wear Indicator	Indicator Type	Piston Spring	Compression Spring	Rivet	Clips	Bolt	Plastic Plug	Kit
60371A	4	2	-	-	-	-	-	-	-	-
60371B	4	2	-	-	-	-	2	-	-	-

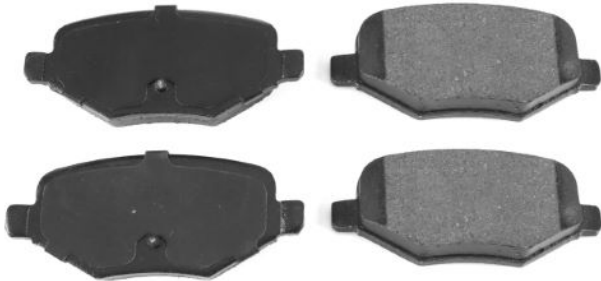
KIA

MODEL	START D.	END Y.
RIO IV (YB. SC. FB)	2017/01	
STONIC (YB)	2017/07	
STONIC Hatchback Van (YB)	2017/07	



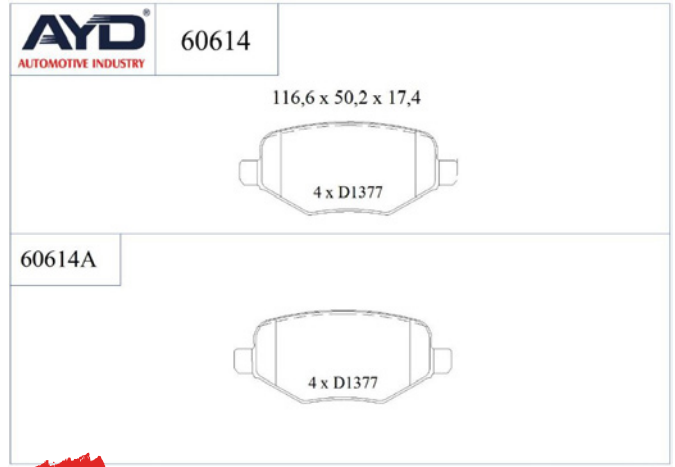
BRAKE PAD

11-60614



• Rear Axle

OE:
8A8Z2200A



· Safety
· Performance
· OEM Standarts
· AYD Quality

WVA :25886

Technical Specifications:

Code	Shim	Wear Indicator	Indicator Type	Piston Spring	Compression Spring	Rivet	Clips	Bolt	Plastic Plug	Kit
60614A	4	-	-	-	-	-	-	-	-	-

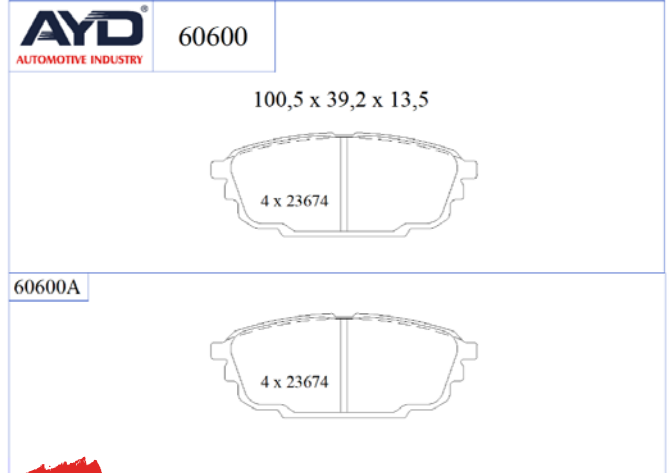
LINCOLN

	MODEL	START D.	END Y.
MKS		2008/04	
MKT		2009/09	
MKX		2006/01	



BRAKE PAD

11-60600



• Rear Axle

OE:
BKYT2643ZB

· Safety
· Performance
· OEM Standarts
· AYD Quality

WVA :23697

Technical Specifications:

Code	Shim	Wear Indicator	Indicator Type	Piston Spring	Compression Spring	Rivet	Clips	Bolt	Plastic Plug	Kit
60600A	4	-	-	-	-	-	-	-	-	-

MAZDA

MODEL	START D.	END Y.
323 S VI (Bj)	1998/05	2004/05



BRAKE PAD

11-60266



• Rear Axle

OE:
4207904



• Safety
• Performance
• OEM Standarts
• AYD Quality

WVA :21919

Technical Specifications:

Code	Shim	Wear Indicator	Indicator Type	Piston Spring	Compression Spring	Rivet	Clips	Bolt	Plastic Plug	Kit
60266A	4	-	-	-	-	-	-	-	-	-
60266B	4	-	-	-	-	-	4	-	-	-

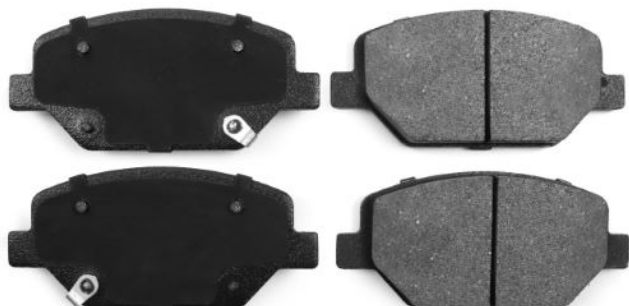
MERCEDES-BENZ

MODEL	START D.	END Y.
C-CLASS (W202)	1993/03	2000/05
C-CLASS (W203)	2000/05	2007/12
C-CLASS Coupe (CL203)	2001/03	2011/06
C-CLASS T-Model (S202)	1996/06	2001/03
CLC-CLASS (CL203)	2008/05	2011/06
CLK (C208)	1997/06	2003/12
CLK (C209)	2002/05	2010/03
CLK Convertible (A208)	1998/03	2002/03



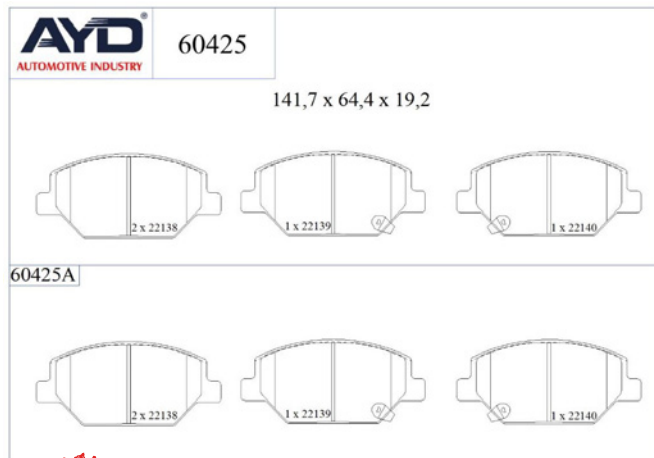
BRAKE PAD

11-60425



• Front Axle

OE:
84120877



• Safety
• Performance
• OEM Standarts
• AYD Quality

WVA :22138-22139-22140

Technical Specifications:

Code	Shim	Wear Indicator	Indicator Type	Piston Spring	Compression Spring	Rivet	Clips	Bolt	Plastic Plug	Kit
60425A	4	2	-	-	-	-	-	-	-	-

OPEL

MODEL	START D.	END Y.
INSIGNIA B Country Tourer (Z18)	2017/06	
INSIGNIA B Grand Sport (Z18)	2017/03	
INSIGNIA B Sports Tourer (Z18)	2017/03	



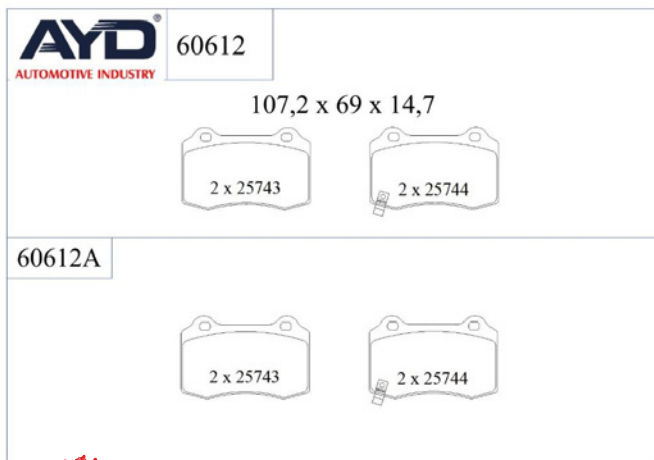
BRAKE PAD

11-60612



• Rear Axle

OE:
106833100A



- Safety
- Performance
- OEM Standarts
- AYD Quality

WVA :25743-25744

Technical Specifications:

Code	Shim	Wear Indicator	Indicator Type	Piston Spring	Compression Spring	Rivet	Clips	Bolt	Plastic Plug	Kit
60612A	4	2	-	-	-	-	-	-	-	-

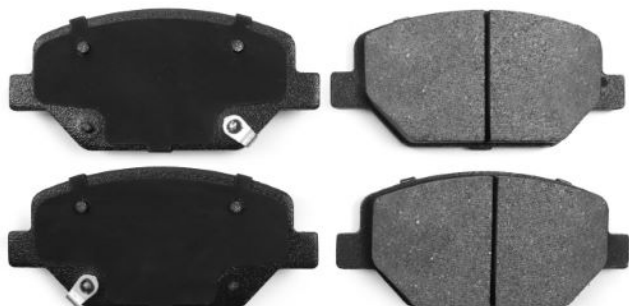
TESLA

MODEL	START D.	END Y.
MODEL S (5YJS)	2012/09	
MODEL X (5YJX)	2013/09	



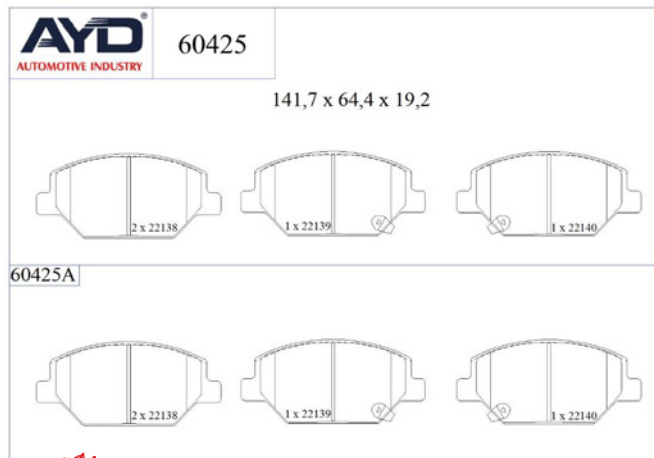
BRAKE PAD

11-60425



• Front Axle

OE:
84120877



- Safety
- Performance
- OEM Standarts
- AYD Quality

WVA :22138-22139-22140

Technical Specifications:

Code	Shim	Wear Indicator	Indicator Type	Piston Spring	Compression Spring	Rivet	Clips	Bolt	Plastic Plug	Kit
60425A	4	2	-	-	-	-	-	-	-	-

VAUXHALL

MODEL	START D.	END Y.
INSIGNIA Mk II (B) Country Tourer (Z18)	2017/03	
INSIGNIA Mk II (B) Hatchback (Z18)	2017/03	
INSIGNIA Mk II (B) Sports Tourer (Z18)	2017/03	

