

new to range

SPEED TO MARKET SECOND TO NONE

AYD[®]
AUTOMOTIVE INDUSTRY



BRAKE WITH CONFIDENCE



SAFETY

PERFORMANCE

OEM Standards

AYD QUALITY

www.aydtr.com

500
Top 500 Industrial Enterprises of Turkey

1000
TÜRKİYE'NİN İLK 1000 İNŞAATÇI FİRMASI
TOP 1000 EXPORTERS OF TURKEY

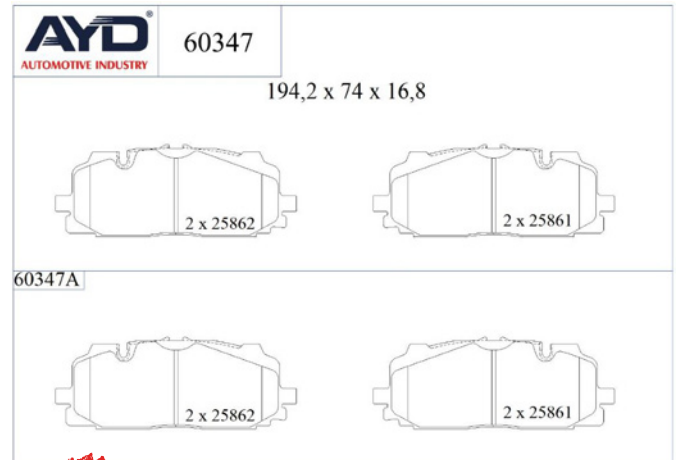
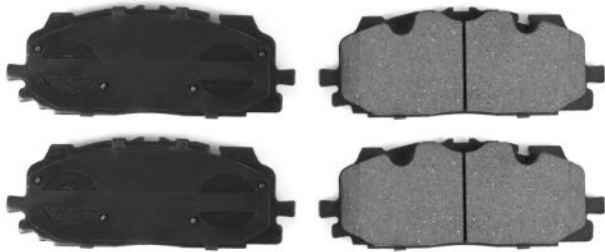
MARCH 2024

INDEX

AUDI	3
CITROEN	4
CUPRA	5
FORD	6
HONDA	7
HYUNDAI	8
MERCEDES BENZ	9-12
OPEL	13
PEUGEOT	14-15
VOLVO	16
VOLKSWAGEN	17
.....	

BRAKE PAD

11-60347



• Rear Axle

OE:
83A698151

• Safety
• Performance
• OEM Standarts
• AYD Quality

WVA :25861-25862

Technical Specifications:

Code	Shim	Wear Indicator	Indicator Type	Piston Spring	Compression Spring	Rivet	Clips	Bolt	Plastic Plug	Kit
60347A	4	-	-	-	-	-	-	-	-	-

AUDI

MODEL	START D.	END Y.
A4 Allroad B9 (8WH. 8WJ)	2016/01	
A4 B9 (8W2. 8WC)	2015/05	
A4 B9 Avant (8W5. 8WD)	2015/08	
A5 (F53. F5P)	2016/06	
A5 Convertible (F57. F5E)	2016/11	
A5 Sportback (F5A. F5F)	2016/06	
A6 C8 (4A2)	2018/02	
A6 C8 Avant (4A5)	2018/05	



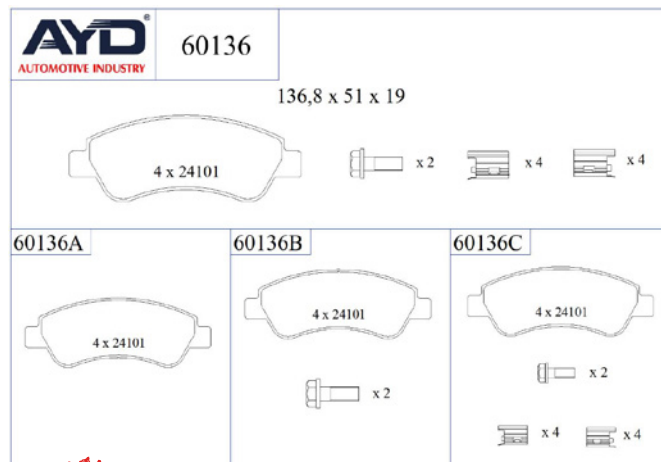
BRAKE PAD

11-60136



• Front Axle

OE:
425240



• Safety
• Performance
• OEM Standarts
• AYD Quality

WVA :24101

Technical Specifications:

Code	Shim	Wear Indicator	Indicator Type	Piston Spring	Compression Spring	Rivet	Clips	Bolt	Plastic Plug	Kit
60136A	4	-	-	-	-	-	-	-	-	-
60136B	4	-	-	-	-	-	-	2	-	-
60136C	4	-	-	-	-	-	8	2	-	-

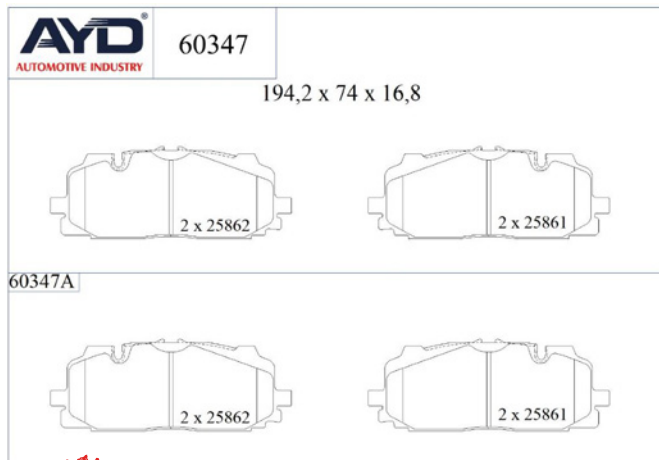
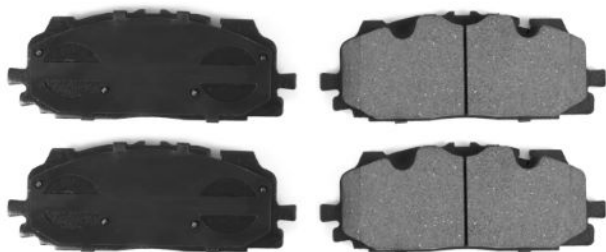
CITROËN

MODEL	START D.	END Y.
BERLINGO / BERLINGO FIRST Box Body/MPV (M_)	1996/07	2011/12
BERLINGO / BERLINGO FIRST MPV (MF_ GJK_ GFK)	1996/07	
C-ELYSEE (DD_)	2012/11	
C2 (JM_)	2003/07	2017/09
C3 AIRCROSS II (2R_ 2C_)	2017/06	
C3 AIRCROSS II Van (2C_ 2R_)	2017/06	
C3 I (FC_ FN_)	2002/02	
C3 II (SC_)	2009/09	



BRAKE PAD

11-60347



• Rear Axle

OE:
83A698151

• Safety
• Performance
• OEM Standarts
• AYD Quality

WVA :25861-25862

Technical Specifications:

Code	Shim	Wear Indicator	Indicator Type	Piston Spring	Compression Spring	Rivet	Clips	Bolt	Plastic Plug	Kit
60347A	4	-	-	-	-	-	-	-	-	-

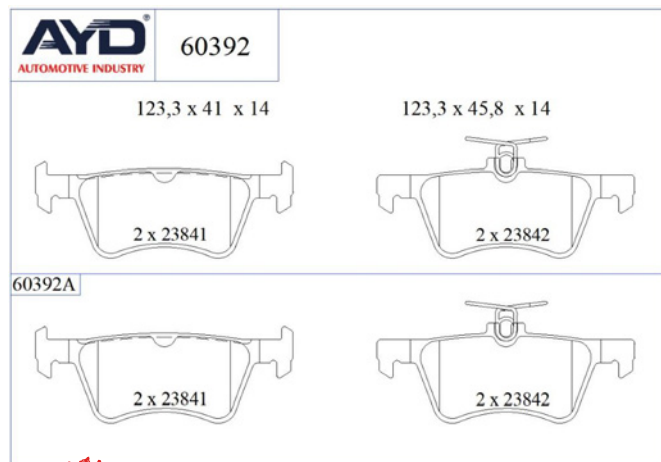
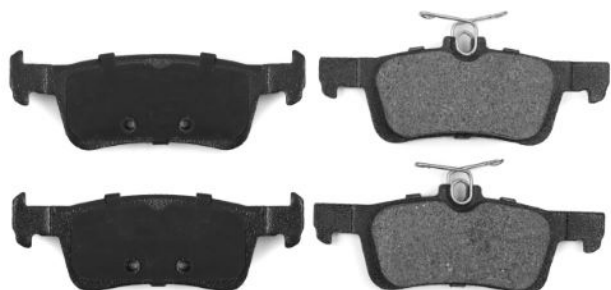
CUPRA

MODEL	START D.	END Y.
FORMENTOR (KM7)	2020/07	



BRAKE PAD

11-60392



• Rear Axle

OE:
2426545

- Safety
- Performance
- OEM Standarts
- AYD Quality

WVA :25841-25842

Technical Specifications:

Code	Shim	Wear Indicator	Indicator Type	Piston Spring	Compression Spring	Rivet	Clips	Bolt	Plastic Plug	Kit
60392A	4	-	-	-	2	-	-	-	-	-

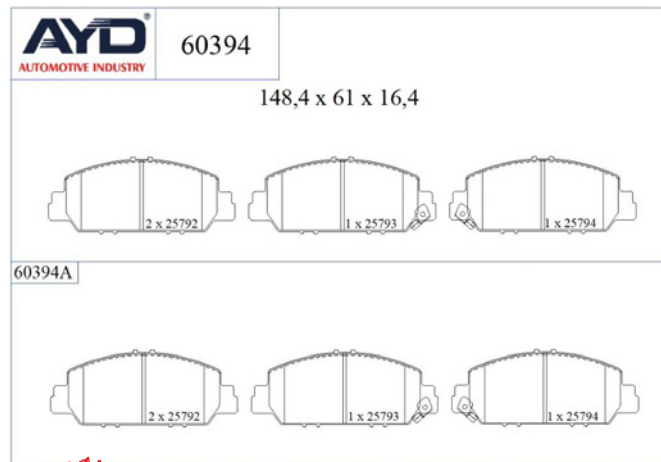
FORD

MODEL	START D.	END Y.
FIESTA VII (HJ. HF)	2017/05	
FIESTA VII Van	2018/09	



BRAKE PAD

11-60394



• Front Axle

OE:
45022T6AJ00

• Safety
• Performance
• OEM Standarts
• AYD Quality

WVA :25792-25793-25794

Technical Specifications:

Code	Shim	Wear Indicator	Indicator Type	Piston Spring	Compression Spring	Rivet	Clips	Bolt	Plastic Plug	Kit
60394A	4	2	-	-	-	-	-	-	-	-

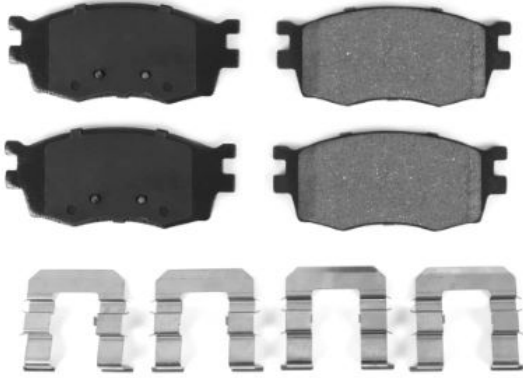
HONDA

MODEL	START D.	END Y.
ACCORD IX Coupe	2012/09	
ACCORD IX Saloon (CR)	2012/09	
ACCORD X Saloon (CV)	2017/10	
HR-V (RU)	2014/11	
STEPWGN (DBA-RP_)	2015/04	
VEZEL SUV (RU)	2013/09	



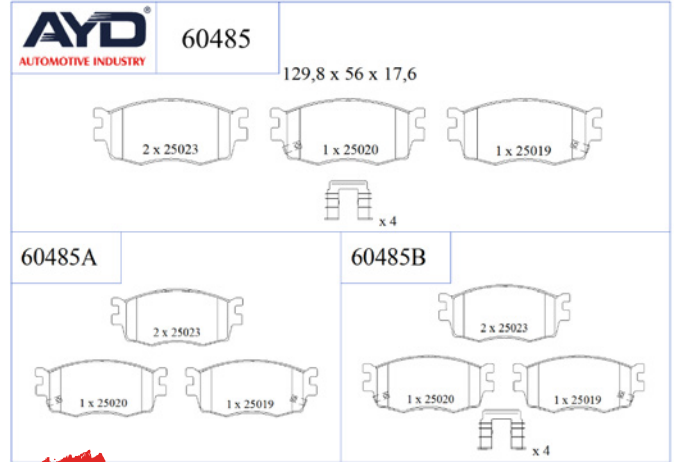
BRAKE PAD

11-60485



• Front Axle

OE:
581011JA10



- Safety
- Performance
- OEM Standarts
- AYD Quality

WVA :25019-25020-25023

Technical Specifications:

Code	Shim	Wear Indicator	Indicator Type	Piston Spring	Compression Spring	Rivet	Clips	Bolt	Plastic Plug	Kit
60485A	4	2	-	-	-	-	-	-	-	-
60485B	4	2	-	-	-	-	4	-	-	-

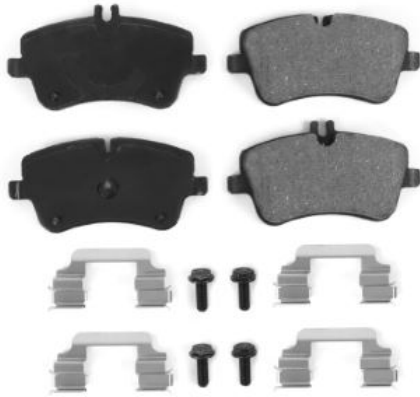
HYUNDAI

MODEL	START D.	END Y.
i20 I (PB. PBT)	2008/08	



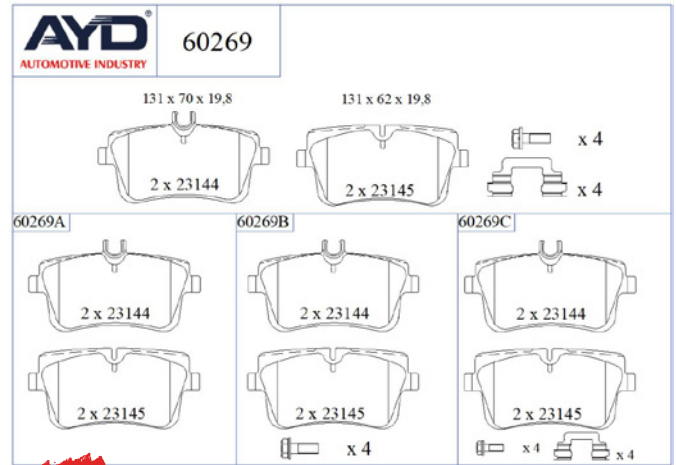
BRAKE PAD

11-60269



• Front Axle

OE:
0034202520



• Safety
• Performance
• OEM Standarts
• AYD Quality

WVA :23144-23145

Technical Specifications:

Code	Shim	Wear Indicator	Indicator Type	Piston Spring	Compression Spring	Rivet	Clips	Bolt	Plastic Plug	Kit
60269A	4	-	-	-	-	-	-	-	-	-
60269B	4	-	-	-	-	-	-	4	-	-
60269C	4	-	-	-	-	-	4	4	-	-

MERCEDES-BENZ

MODEL	START D.	END Y.
C-CLASS (W203)	2000/05	2007/12
C-CLASS Coupe (CL203)	2001/03	2011/06
C-CLASS T-Model (S203)	2001/03	2007/08
CLC-CLASS (CL203)	2008/05	2011/06
CLK (C209)	2002/05	2010/03
CLK Convertible (A209)	2002/06	2010/03
SLK (R171)	2004/03	2011/12



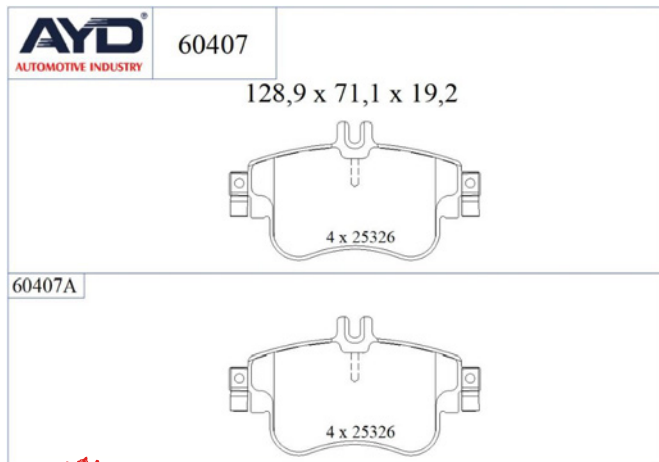
BRAKE PAD

11-60407



• Front Axle

OE:
0084200420



- Safety
- Performance
- OEM Standarts
- AYD Quality

WVA :25326

Technical Specifications:

Code	Shim	Wear Indicator	Indicator Type	Piston Spring	Compression Spring	Rivet	Clips	Bolt	Plastic Plug	Kit
60407A	4	-	-	-	-	-	-	-	-	-

MERCEDES-BENZ

MODEL	START D.	END Y.
A-CLASS (W176)	2012/06	2018/05
B-CLASS Sports Tourer (W246. W242)	2011/10	2018/12
CLA Coupe (C117)	2013/01	2019/03



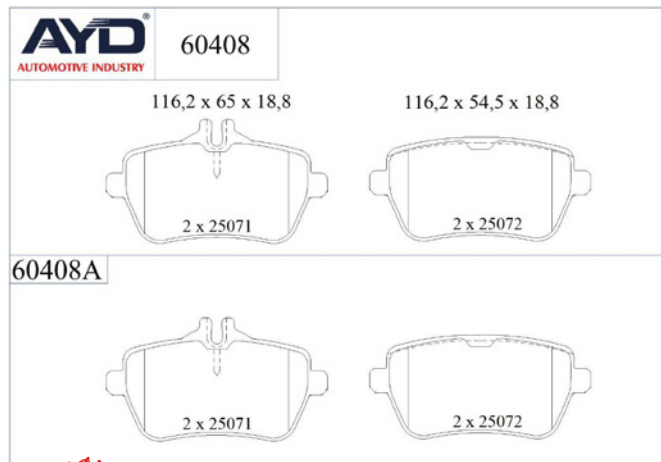
BRAKE PAD

11-60408



• Rear Axle

OE:
0064202805



• Safety
• Performance
• OEM Standarts
• AYD Quality

WVA :25071-25072

Technical Specifications:

Code	Shim	Wear Indicator	Indicator Type	Piston Spring	Compression Spring	Rivet	Clips	Bolt	Plastic Plug	Kit
60408A	4	-	-	-	-	-	-	-	-	-

MERCEDES-BENZ

MODEL	START D.	END Y.
SL (R231)	2011/12	



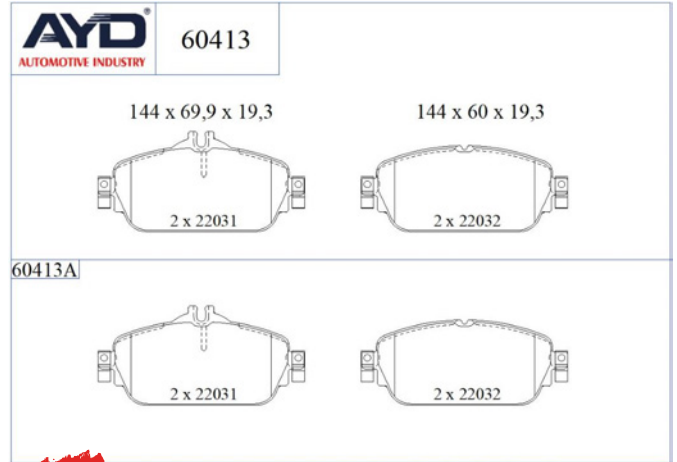
BRAKE PAD

11-60413



• Front Axle

OE:
0084203120



· Safety
· Performance
· OEM Standarts
· AYD Quality

WVA :22031-22032

Technical Specifications:

Code	Shim	Wear Indicator	Indicator Type	Piston Spring	Compression Spring	Rivet	Clips	Bolt	Plastic Plug	Kit
60413A	4	-	-	-	8	-	-	-	-	-

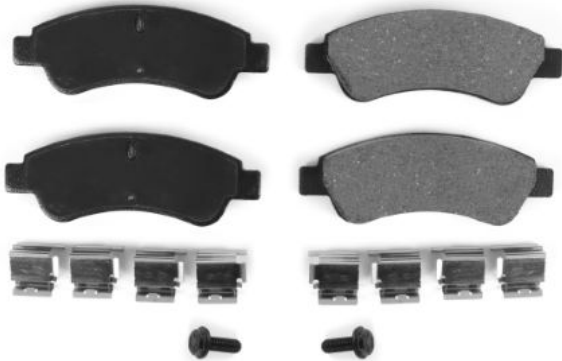
MERCEDES-BENZ

MODEL	START D.	END Y.
C-CLASS (W205)	2013/07	
C-CLASS Convertible (A205)	2016/06	
C-CLASS Coupe (C205)	2015/10	
C-CLASS T-Model (S205)	2014/09	
E-CLASS (W213)	2016/01	
E-CLASS Convertible (A238)	2017/06	
E-CLASS Coupe (C238)	2016/12	
E-CLASS T-Model (S213)	2016/07	



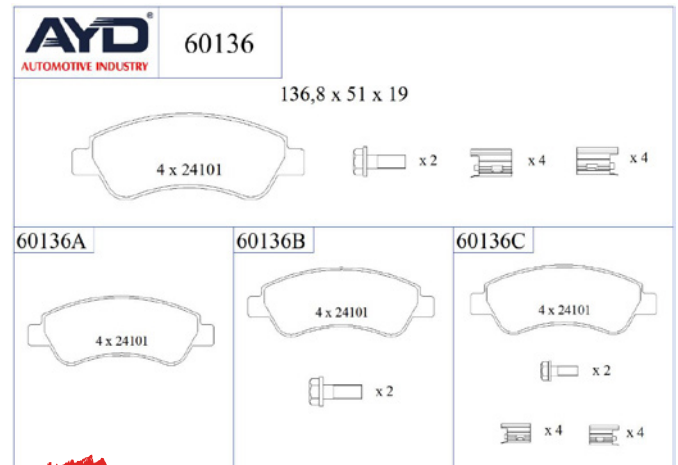
BRAKE PAD

11-60136



• Front Axle

OE:
1613193280



• Safety
• Performance
• OEM Standards
• AYD Quality

WVA :24101

Technical Specifications:

Code	Shim	Wear Indicator	Indicator Type	Piston Spring	Compression Spring	Rivet	Clips	Bolt	Plastic Plug	Kit
60136A	4	-	-	-	-	-	-	-	-	-
60136B	4	-	-	-	-	-	-	2	-	-
60136C	4	-	-	-	-	-	8	2	-	-

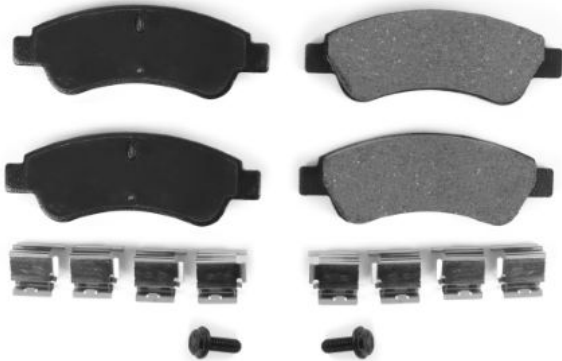
OPEL

MODEL	START D.	END Y.
CORSA F (P2JO)	2019/07	
CORSA F Hatchback Van	2019/07	
CROSSLAND X / CROSSLAND (P17. P2QO)	2017/03	



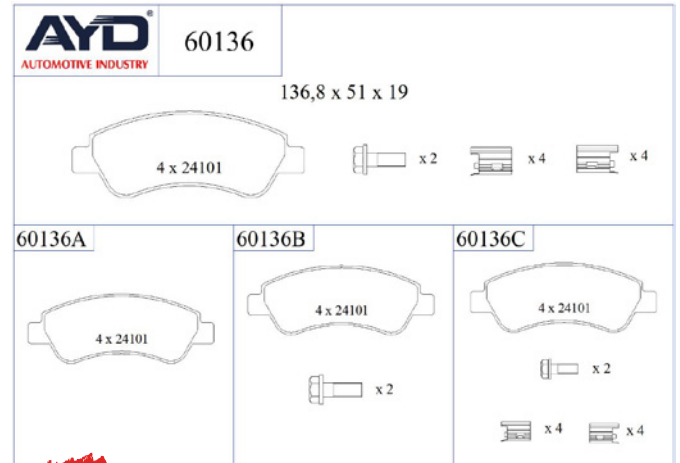
BRAKE PAD

11-60136



• Front Axle

OE:
425240



• Safety
• Performance
• OEM Standarts
• AYD Quality

WVA :24101

Technical Specifications:

Code	Shim	Wear Indicator	Indicator Type	Piston Spring	Compression Spring	Rivet	Clips	Bolt	Plastic Plug	Kit
60136A	4	-	-	-	-	-	-	-	-	-
60136B	4	-	-	-	-	-	-	2	-	-
60136C	4	-	-	-	-	-	8	2	-	-

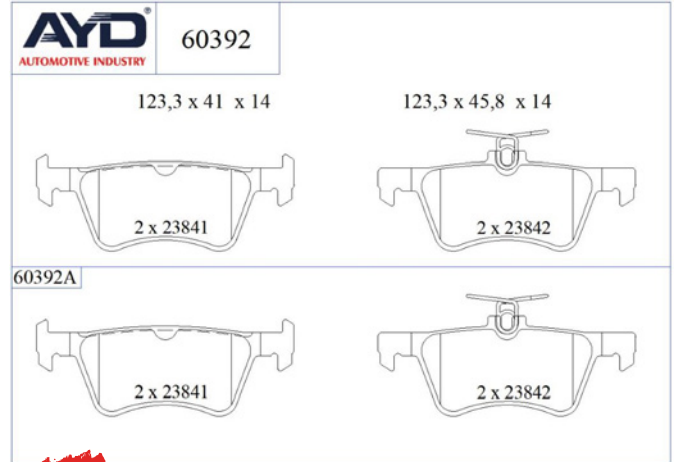
PEUGEOT

MODEL	START D.	END Y.
2008 I (CU_)	2013/03	
206 CC (2D)	2000/09	2008/12
206 Hatchback (2A/C)	1998/08	2012/12
206 Saloon	2007/03	
206 SW (2E/K)	2002/07	
207 (WA_. WC_)	2006/02	2015/12
207 SW (WK_)	2007/02	2013/12
208 Hatchback Van (CR_)	2013/02	2019/12



BRAKE PAD

11-60392



• Rear Axle

OE:
1647875880

· Safety
· Performance
· OEM Standarts
· AYD Quality

WVA :25841-25842

Technical Specifications:

Code	Shim	Wear Indicator	Indicator Type	Piston Spring	Compression Spring	Rivet	Clips	Bolt	Plastic Plug	Kit
60392A	4	-	-	-	2	-	-	-	-	-

PEUGEOT

MODEL	START D.	END Y.
308 Hatchback Van (LB_)	2015/03	
308 II (LB_ . LP_ . LW_ . LH_ . L3_)	2013/09	2021/06
308 SW I (4E_ . 4H_)	2007/09	2014/10
308 SW II (LC_ . LJ_ . LR_ . LX_ . L4_)	2014/03	2021/06
308 SW II Estate Van (LC_)	2014/04	



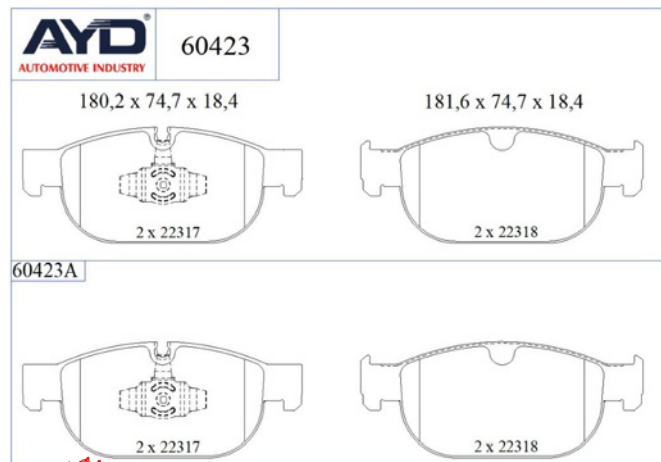
BRAKE PAD

11-60423



• Front Axle

OE:
31445976
31445975
31476722



• Safety
• Performance
• OEM Standarts
• AYD Quality

WVA :22317-22318

Technical Specifications:

Code	Shim	Wear Indicator	Indicator Type	Piston Spring	Compression Spring	Rivet	Clips	Bolt	Plastic Plug	Kit
60423A	4	-	-	2	-	-	-	-	1	-

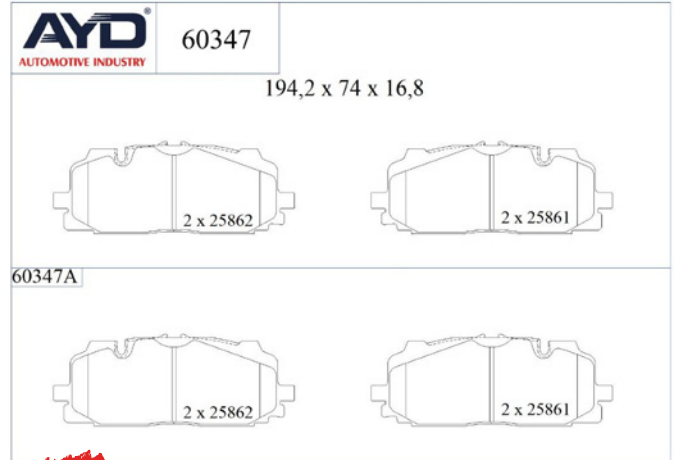
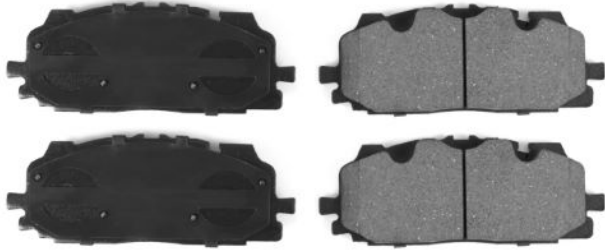
VOLVO

MODEL	START D.	END Y.
S90 II (234)	2016/01	
V60 II (225)	2018/02	
V90 II Estate (235)	2016/03	
XC40 (536)	2017/10	
XC60 II (246)	2017/03	
XC90 II (256)	2014/09	



BRAKE PAD

11-60347



• Rear Axle

OE:
83A698151

• Safety
• Performance
• OEM Standarts
• AYD Quality

WVA :25861-25862

Technical Specifications:

Code	Shim	Wear Indicator	Indicator Type	Piston Spring	Compression Spring	Rivet	Clips	Bolt	Plastic Plug	Kit
60347A	4	-	-	-	-	-	-	-	-	-

VW

MODEL	START D.	END Y.
TOUAREG (CR7. RC8)	2017/11	

