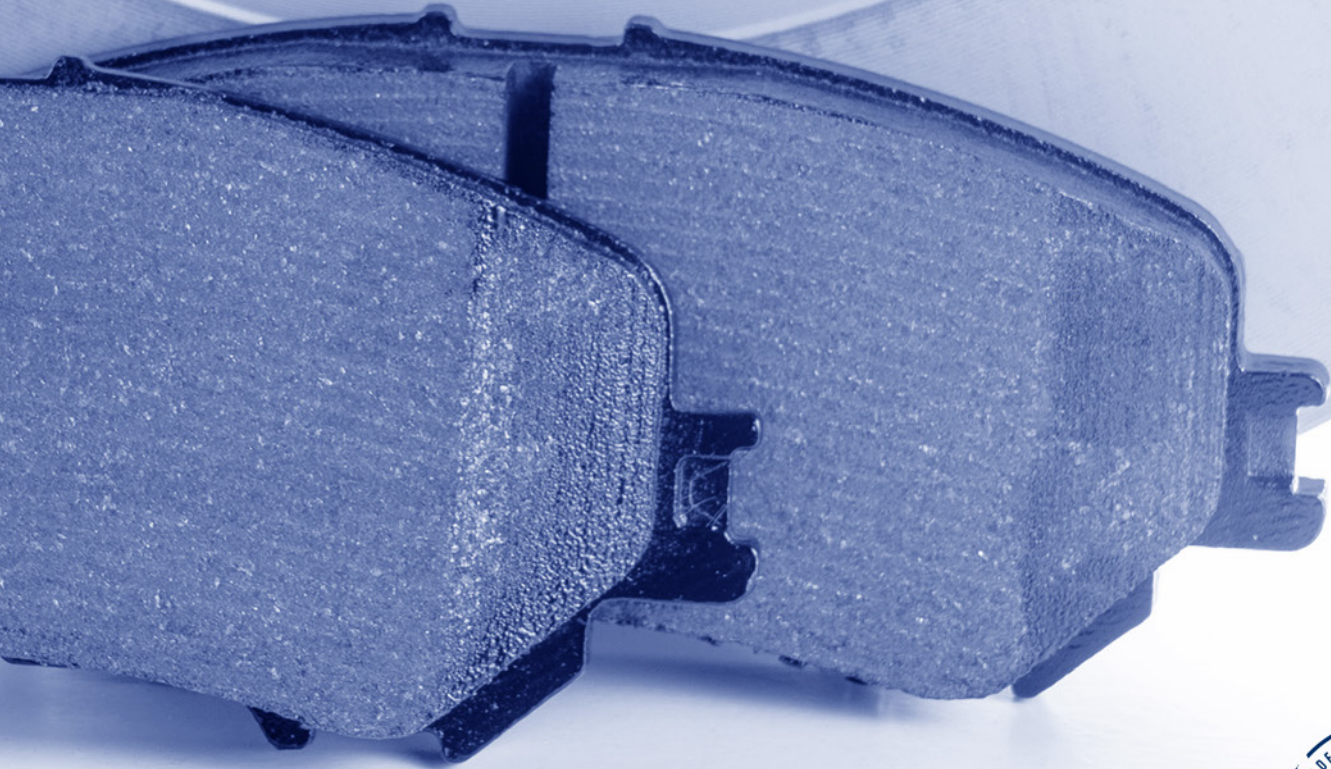


new to range

SPEED TO MARKET SECOND TO NONE

AYD[®]
AUTOMOTIVE INDUSTRY



BRAKE WITH CONFIDENCE

SAFETY

PERFORMANCE

OEM Standards

AYD QUALITY

www.aydtr.com

500
Top 500 Industrial Enterprises of Turkey

1000
TÜRKİYE'NİN İLK 1000 İNŞAATÇI FİRMASI
TOP 1000 EXPORTERS OF TURKEY

FEBRUARY 2024

INDEX

ALFA ROMEO	3
DODGE	4
FIAT	5
FORD	6-7
FREIGHTLINER	8
LANCIA	9
MAN	10
MERCEDES BENZ	11-13
MITSUBISHI	14
PEUGEOT	15
SKODA	16
VOLVO	17
VOLKSWAGEN	18-19

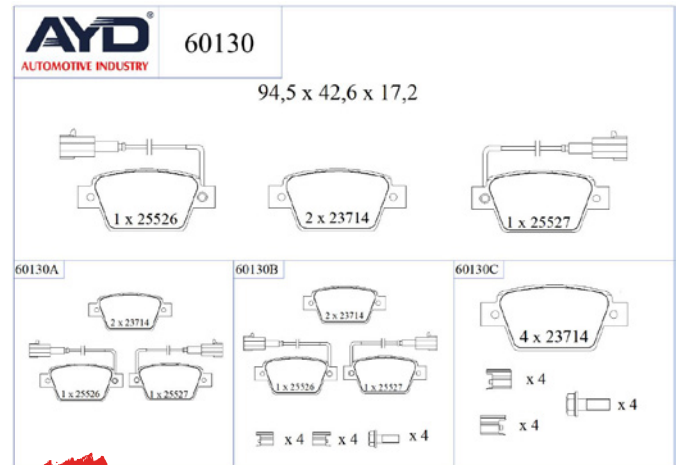
BRAKE PAD

11-60130



• Rear Axle

OE:
71772225



• Safety
• Performance
• OEM Standards
• AYD Quality

WVA :23714

Technical Specifications:

Code	Shim	Wear Indicator	Indicator Type	Piston Spring	Compression Spring	Rivet	Clips	Bolt	Plastic Plug	Kit
60130C	4	-	-	-	-	-	8	4	-	-
60130A	4	2	-	-	-	-	-	-	-	-
60130B	4	2	-	-	-	-	8	2	-	-

ALFA ROMEO

MODEL	START D.	END Y.
MITO (955_)	2008/08	2018/10



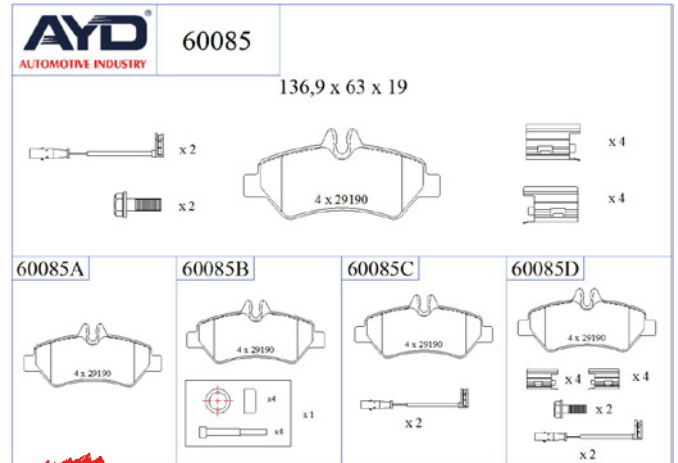
BRAKE PAD

11-60085



• Rear Axle

OE:
4862602AA



• Safety
• Performance
• OEM Standards
• AYD Quality

WVA :29190

Technical Specifications:

Code	Shim	Wear Indicator	Indicator Type	Piston Spring	Compression Spring	Rivet	Clips	Bolt	Plastic Plug	Kit
60085D	4	2	-	-	-	-	8	2	-	-
60085C	4	2	-	-	-	-	-	-	-	-
60085A	4	-	-	-	-	-	-	-	-	-
60085B	4	-	-	-	-	-	-	-	-	1

DODGE

MODEL	START D.	END Y.
SPRINTER 2500 Standard Cargo Van	2005/09	2010/12
SPRINTER 2500 Standard Passenger Van	2006/09	2010/12
SPRINTER 3500 Cab & Chassis	2006/09	2010/12
SPRINTER 3500 Standard Cargo Van	2006/09	2010/12
SPRINTER 3500 Standard Passenger Van	2006/09	2010/12



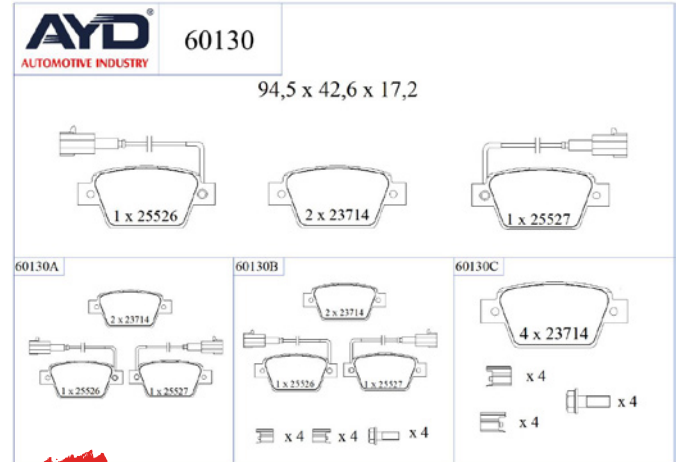
BRAKE PAD

11-60130



• Rear Axle

OE:
77365809



• Safety
• Performance
• OEM Standarts
• AYD Quality

WVA :23714

Technical Specifications:

Code	Shim	Wear Indicator	Indicator Type	Piston Spring	Compression Spring	Rivet	Clips	Bolt	Plastic Plug	Kit
60130C	4	-	-	-	-	-	8	4	-	-
60130A	4	2	-	-	-	-	-	-	-	-
60130B	4	2	-	-	-	-	8	2	-	-

FIAT

MODEL	START D.	END Y.
BRAVO II (198_)	2006/11	2016/12
MULTIPLA (186_)	1999/04	2010/06
MULTIPLA VAN (186_)	1999/04	2010/06
STILO (192_)	2001/10	2010/11
STILO Multi Wagon (192_)	2003/01	2008/08



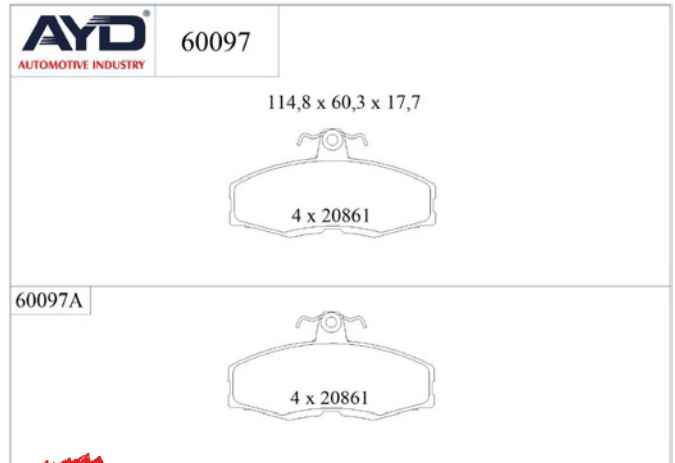
BRAKE PAD

11-60097



• Front Axle

OE:
6137744



- Safety
- Performance
- OEM Standarts
- AYD Quality

WVA :20861

Technical Specifications:

Code	Shim	Wear Indicator	Indicator Type	Piston Spring	Compression Spring	Rivet	Clips	Bolt	Plastic Plug	Kit
60097A	-	-	-	-	4	4	-	-	-	-

FORD

MODEL	START D.	END Y.
SIERRA I Hatchback (GBC)	1982/08	1987/02
SIERRA Turnier (BNC)	1982/08	1986/12



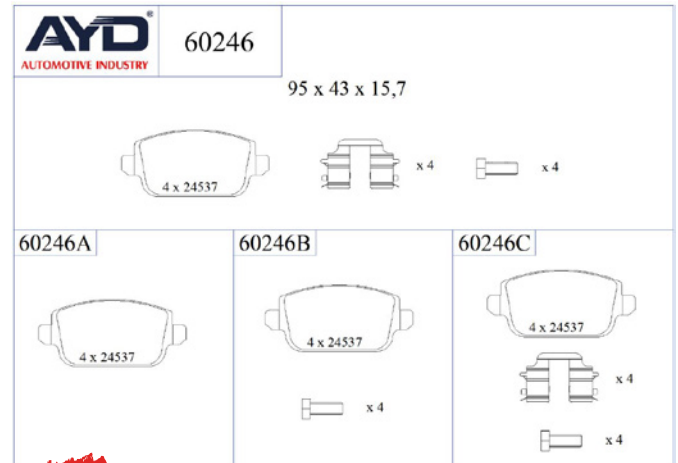
BRAKE PAD

11-60246



• Rear Axle

OE:
15662234



• Safety
• Performance
• OEM Standarts
• AYD Quality

WVA :24537

Technical Specifications:

Code	Shim	Wear Indicator	Indicator Type	Piston Spring	Compression Spring	Rivet	Clips	Bolt	Plastic Plug	Kit
60246A	4	-	-	-	-	-	-	-	-	-
60246B	4	-	-	-	-	-	-	4	-	-
60246C	4	-	-	-	-	-	4	4	-	-

FORD

MODEL	START D.	END Y.
FOCUS II (DA_ HCP. DP)	2004/07	2013/09
GALAXY II (WA6)	2006/05	2015/06
KUGA I	2008/02	2012/11
KUGA I VAN	2008/02	2012/11
MONDEO IV (BA7)	2007/03	2015/01
MONDEO IV Saloon (BA7)	2007/03	2015/01
MONDEO IV Turnier (BA7)	2007/03	2015/01
S-MAX (WA6)	2006/05	2014/12



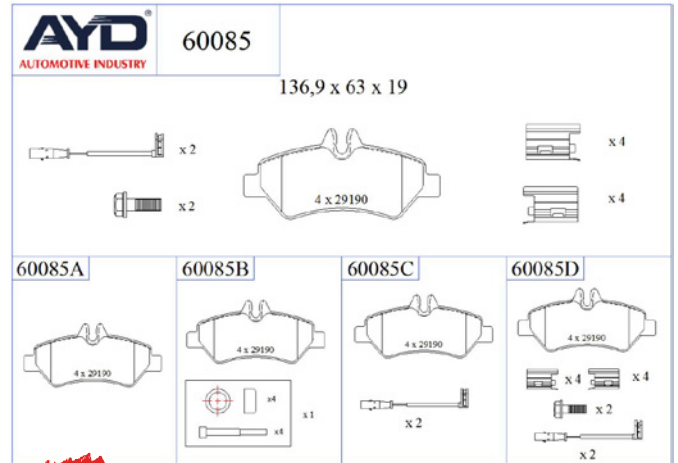
BRAKE PAD

11-60085



• Rear Axle

OE:
0084205120



• Safety
• Performance
• OEM Standards
• AYD Quality

WVA :29190

Technical Specifications:

Code	Shim	Wear Indicator	Indicator Type	Piston Spring	Compression Spring	Rivet	Clips	Bolt	Plastic Plug	Kit
60085D	4	2	-	-	-	-	8	2	-	-
60085C	4	2	-	-	-	-	-	-	-	-
60085A	4	-	-	-	-	-	-	-	-	-
60085B	4	-	-	-	-	-	-	-	-	1

FREIGHTLINER

MODEL	START D.	END Y.
SPRINTER 2500 Cab & Chassis	2006/09	2007/12
SPRINTER 2500 Extended Cargo Van	2006/09	2018/12
SPRINTER 2500 Standard Cargo Van	2006/09	2018/12
SPRINTER 2500 Standard Passenger Van	2006/09	2018/12
SPRINTER 3500 Cab & Chassis	2006/09	2018/12
SPRINTER 3500 Extended Cargo Van	2006/09	2018/12
SPRINTER 3500 Standard Cargo Van	2006/09	2018/12
SPRINTER 3500 Standard Passenger Van	2006/09	2018/12



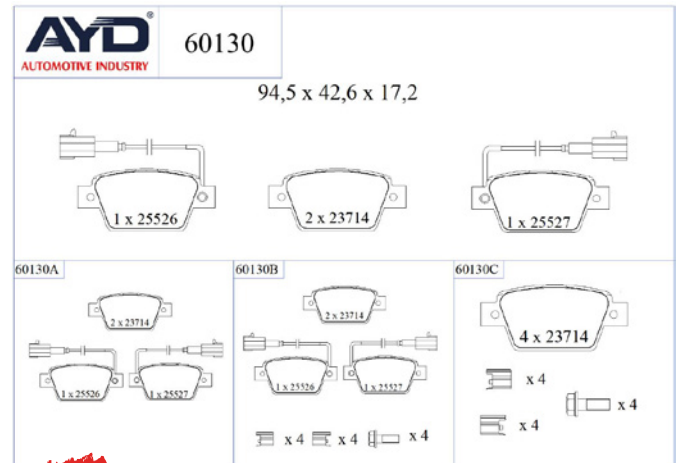
BRAKE PAD

11-60130



• Rear Axle

OE:
77363518



- Safety
- Performance
- OEM Standards
- AYD Quality

WVA :23714

Technical Specifications:

Code	Shim	Wear Indicator	Indicator Type	Piston Spring	Compression Spring	Rivet	Clips	Bolt	Plastic Plug	Kit
60130C	4	-	-	-	-	-	8	4	-	-
60130A	4	2	-	-	-	-	-	-	-	-
60130B	4	2	-	-	-	-	8	2	-	-

LANCIA

MODEL	START D.	END Y.
DELTA III (844_)	2008/08	2014/08



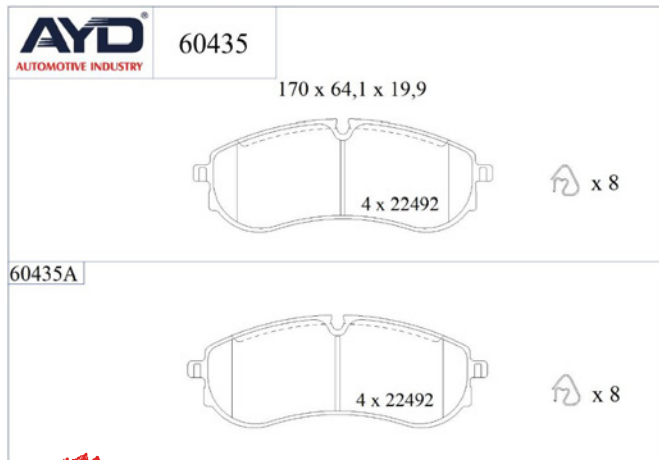
BRAKE PAD

11-60435



• Rear Axle

OE:
65508206007



- Safety
- Performance
- OEM Standarts
- AYD Quality

WVA :22492

Technical Specifications:

Code	Shim	Wear Indicator	Indicator Type	Piston Spring	Compression Spring	Rivet	Clips	Bolt	Plastic Plug	Kit
60435A	4	-	-	-	8	-	-	-	-	-

MAN

MODEL	START D.	END Y.
TGE Bus	2017/02	
TGE Platform/Chassis (UZ_)	2016/11	
TGE Van	2017/02	



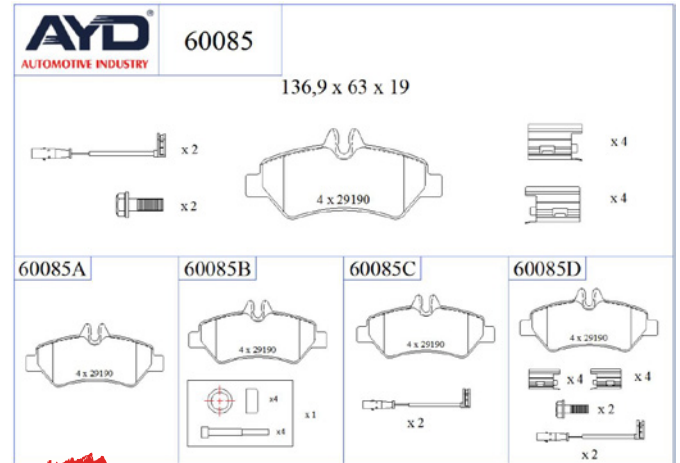
BRAKE PAD

11-60085



• Rear Axle

OE:
9064200100
9064230400
A9064200100



• Safety
• Performance
• OEM Standards
• AYD Quality

WVA :29190

Technical Specifications:

Code	Shim	Wear Indicator	Indicator Type	Piston Spring	Compression Spring	Rivet	Clips	Bolt	Plastic Plug	Kit
60085D	4	2	-	-	-	-	8	2	-	-
60085C	4	2	-	-	-	-	-	-	-	-
60085A	4	-	-	-	-	-	-	-	-	-
60085B	4	-	-	-	-	-	-	-	-	1

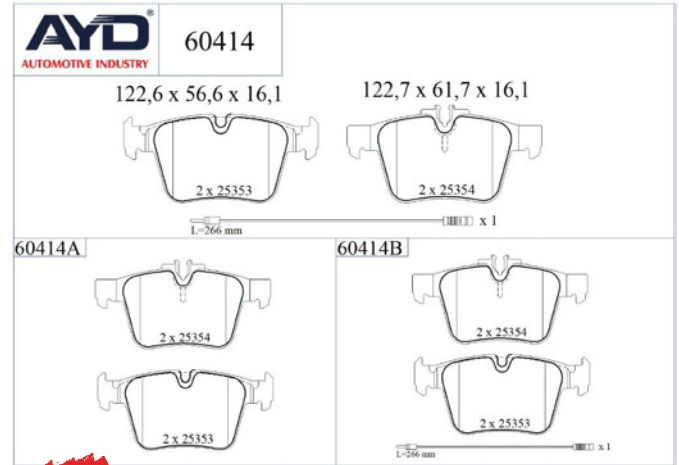
MERCEDES-BENZ

MODEL	START D.	END Y.
SPRINTER 3-t Bus (B906)	2006/06	
SPRINTER 3-t Platform/Chassis (B906)	2006/06	
SPRINTER 3-t Van (B906)	2006/06	
SPRINTER 3.5-t Bus (B906)	2006/06	
SPRINTER 3.5-t Platform/Chassis (B906)	2006/06	
SPRINTER 3.5-t Van (B906)	2006/06	
SPRINTER 4.6-t Platform/Chassis (B906)	2006/06	
SPRINTER 4.6-t Van (B906)	2006/06	



BRAKE PAD

11-60414



• Rear Axle

OE:
0084201320
0084201420
0004208200

• Safety
• Performance
• OEM Standarts
• AYD Quality

WVA :25353-25354

Technical Specifications:

Code	Shim	Wear Indicator	Indicator Type	Piston Spring	Compression Spring	Rivet	Clips	Bolt	Plastic Plug	Kit
60414A	4	-	-	-	2	-	-	-	-	-
60414B	4	1	-	-	2	-	-	-	-	-

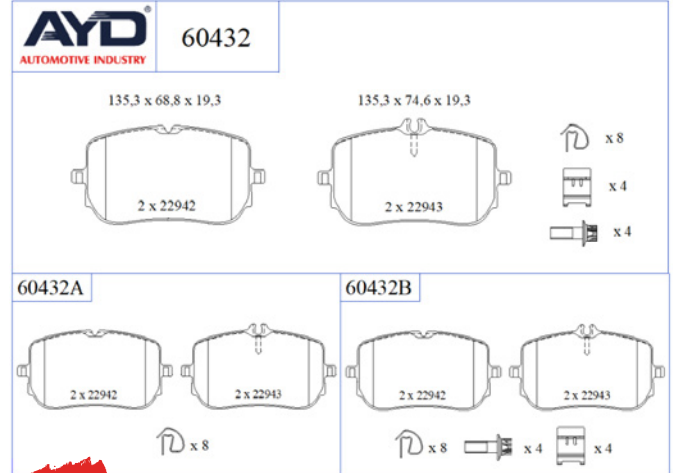
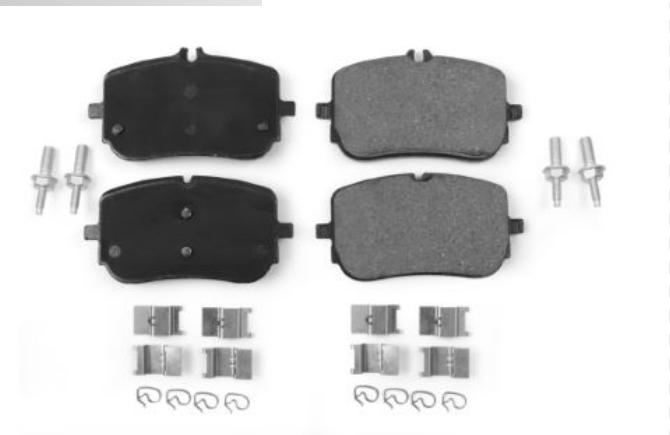
MERCEDES-BENZ

MODEL	START D.	END Y.
C-CLASS (W205)	2013/07	
C-CLASS Convertible (A205)	2016/06	
C-CLASS Coupe (C205)	2015/10	
C-CLASS T-Model (S205)	2014/09	
GLC Coupe (C253)	2016/06	



BRAKE PAD

11-60432



• Front Axle

OE:
0004207100
0004207300
0004200710

• Safety
• Performance
• OEM Standarts
• AYD Quality

WVA :22942-22943

Technical Specifications:

Code	Shim	Wear Indicator	Indicator Type	Piston Spring	Compression Spring	Rivet	Clips	Bolt	Plastic Plug	Kit
60432A	4	-	-	-	8	-	-	-	-	-
60432B	4	-	-	-	8	-	8	4	-	-

MERCEDES-BENZ

MODEL	START D.	END Y.
A-CLASS (W177)	2018/03	
A-CLASS Saloon (V177)	2018/09	
B-CLASS Sports Tourer (W247)	2018/12	
CLA (C118)	2019/03	
CLA Shooting Brake (X118)	2019/06	
GLA (H247)	2020/02	
GLB (X247)	2019/07	



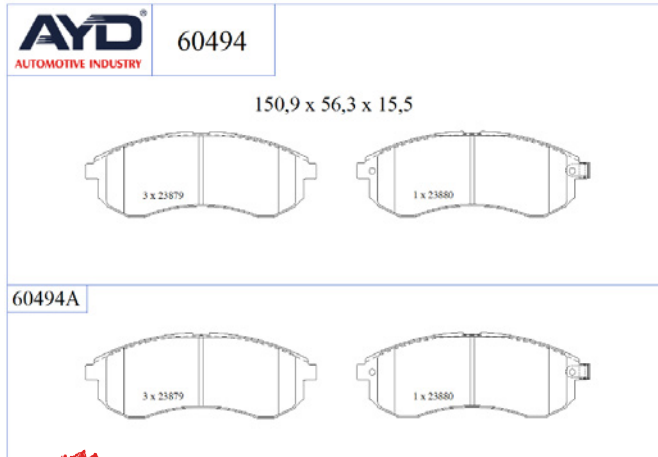
BRAKE PAD

11-60494



• Front Axle

OE:
MN102622



· Safety
· Performance
· OEM Standarts
· AYD Quality

WVA :23879-23880

Technical Specifications:

Code	Shim	Wear Indicator	Indicator Type	Piston Spring	Compression Spring	Rivet	Clips	Bolt	Plastic Plug	Kit
60494A	4	1	-	-	-	-	-	-	-	-

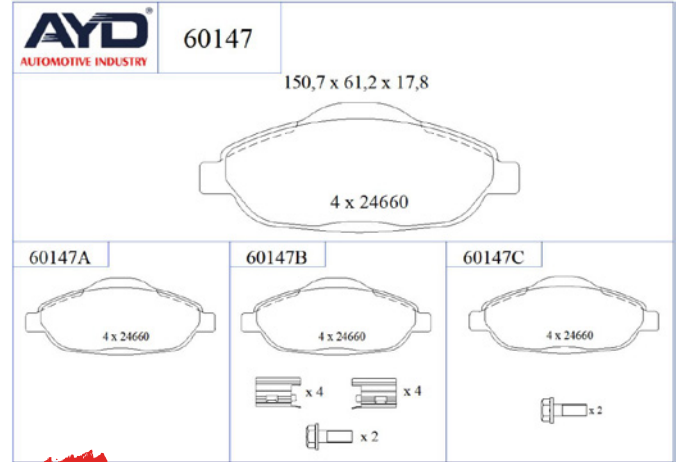
mitsubishi

MODEL	START D.	END Y.
L200 (K7_T. K6_T. K5_T)	1996/01	2011/12



BRAKE PAD

11-60147



• Front Axle

OE:
1609253080

• Safety
• Performance
• OEM Standarts
• AYD Quality

WVA :24660

Technical Specifications:

Code	Shim	Wear Indicator	Indicator Type	Piston Spring	Compression Spring	Rivet	Clips	Bolt	Plastic Plug	Kit
60147A	4	-	-	-	-	-	-	-	-	-
60147B	4	-	-	-	-	-	8	2	-	-
60147C	4	-	-	-	-	-	-	2	-	-

PEUGEOT

MODEL	START D.	END Y.
3008 MPV (0U_)	2009/05	2017/12
308 CC (4B_)	2009/02	2015/12
308 I (4A_, 4C_)	2007/09	2016/12
308 SW I (4E_, 4H_)	2007/09	2014/10
5008 (0U_, 0E_)	2009/06	2017/03



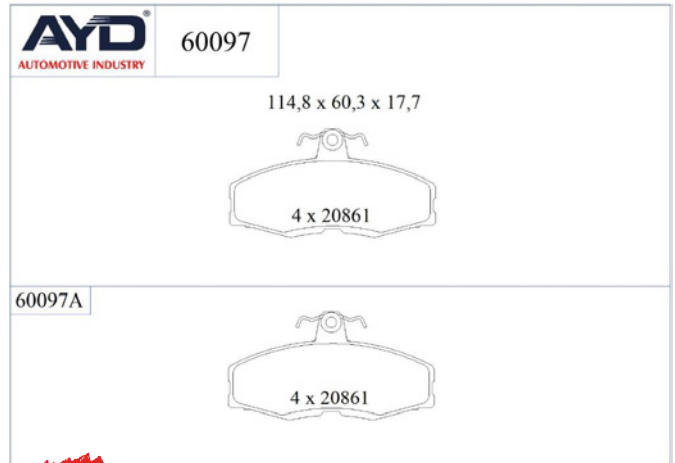
BRAKE PAD

11-60097



• Front Axle

OE:
115430280
115430281



· Safety
· Performance
· OEM Standards
· AYD Quality

WVA :20861

Technical Specifications:

Code	Shim	Wear Indicator	Indicator Type	Piston Spring	Compression Spring	Rivet	Clips	Bolt	Plastic Plug	Kit
60097A	-	-	-	-	4	4	-	-	-	-

SKODA

MODEL	START D.	END Y.
FAVORIT Pickup (787)	1992/06	1997/06



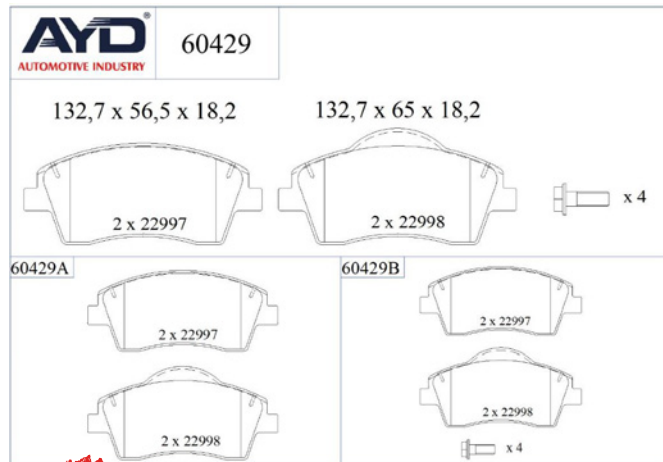
BRAKE PAD

11-60429



• Front Axle

OE:
32287456
31471409
31471410



· Safety
· Performance
· OEM Standards
· AYD Quality

WVA :22997-22998

Technical Specifications:

Code	Shim	Wear Indicator	Indicator Type	Piston Spring	Compression Spring	Rivet	Clips	Bolt	Plastic Plug	Kit
60429A	4	-	-	-	-	-	-	-	-	-
60429B	4	-	-	-	-	-	-	4	-	-

VOLVO

MODEL	START D.	END Y.
XC40 (536)	2017/10	



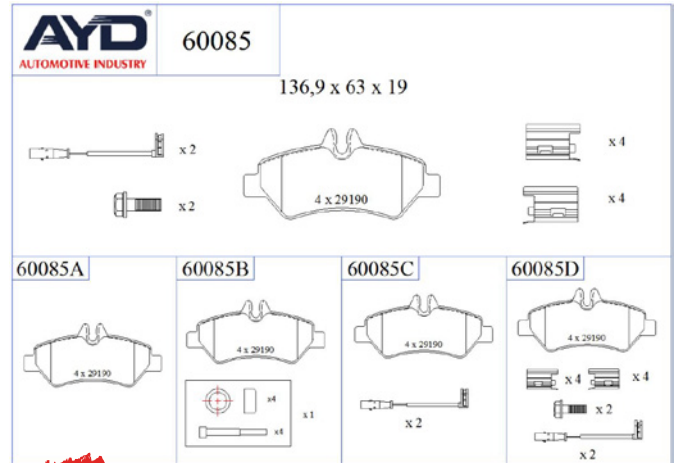
BRAKE PAD

11-60085



• Rear Axle

OE:
JZW698451N



• Safety
• Performance
• OEM Standards
• AYD Quality

WVA :29190

Technical Specifications:

Code	Shim	Wear Indicator	Indicator Type	Piston Spring	Compression Spring	Rivet	Clips	Bolt	Plastic Plug	Kit
60085D	4	2	-	-	-	-	8	2	-	-
60085C	4	2	-	-	-	-	-	-	-	-
60085A	4	-	-	-	-	-	-	-	-	-
60085B	4	-	-	-	-	-	-	-	-	1

VW

MODEL	START D.	END Y.
CRAFTER 30-35 Bus (2E_)	2006/04	2016/12
CRAFTER 30-50 Platform/Chassis (2F_)	2006/04	2016/12
CRAFTER 30-50 Van (2E_)	2006/04	2016/12



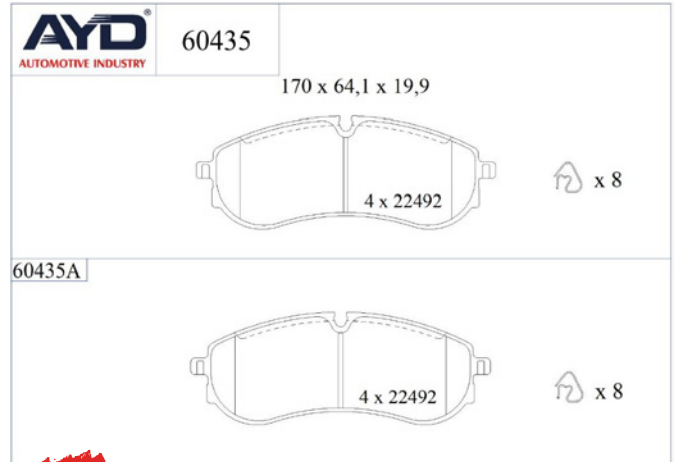
BRAKE PAD

11-60435



• Rear Axle

OE:
2N0698451A-M



- Safety
- Performance
- OEM Standarts
- AYD Quality

WVA :22492

Technical Specifications:

Code	Shim	Wear Indicator	Indicator Type	Piston Spring	Compression Spring	Rivet	Clips	Bolt	Plastic Plug	Kit
60435A	4	-	-	-	8	-	-	-	-	-

VW

MODEL	START D.	END Y.
CRAFTER Bus (SYI. SYJ)	2016/09	
CRAFTER Platform/Chassis (SZ_)	2016/11	
CRAFTER Van (SY_, SX_)	2016/09	
GRAND CALIFORNIA Camper (SCB. SCC)	2019/04	

