

new to range

SPEED TO MARKET SECOND TO NONE

AYD[®]
AUTOMOTIVE INDUSTRY



BRAKE WITH CONFIDENCE



SAFETY

PERFORMANCE

OEM Standards

AYD QUALITY

www.aydtr.com

500
Top 500 Industrial Enterprises of Turkey

1000
TÜRKİYE'NİN İLK 1000 İHRACATÇI FİRMASI
TOP 1000 EXPORTERS OF TURKEY

DECEMBER 2023

INDEX

AUDI	3-4
CHEVROLET	5
CITROEN	6-8
DAIHATSU	9
DS	10-12
FIAT	13
FORD	14-15
HYUNDAI	16
LAND ROVER	17
MERCEDES BENZ	18-19
OPEL	20-21
PEUGEOT	22-24
PORSCHE	25
SUZUKI	26
TOYOTA	27-29
VAUXHALL	30

BRAKE PAD

11-60345



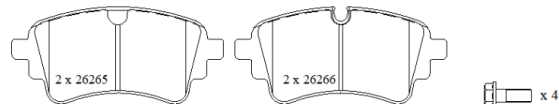
• Rear Axle

OE:
8W0698451AC
80A698451F
8W0698451AL

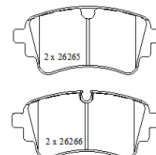
AYD
AUTOMOTIVE INDUSTRY

60345

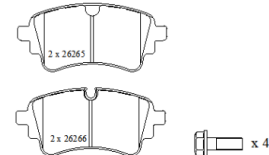
129,2 x 59,3 x 17,5



60345A



60345B



• Safety
• Performance
• OEM Standarts
• AYD Quality

WVA :26265-26266

Technical Specifications:

Code	Shim	Wear Indicator	Indicator Type	Piston Spring	Compression Spring	Rivet	Clips	Bolt	Plastic Plug	Kit
60345A	4	-	-	-	-	-	-	-	-	-
60345B	4	-	-	-	-	-	-	4	-	-

AUDI

MODEL	START D.	END Y.
A4 B9 (8W2. 8WC)	2015/05	
A4 B9 Avant (8W5. 8WD)	2015/08	
A5 (F53. F5P)	2016/06	
A5 Convertible (F57. F5E)	2016/11	
A5 Sportback (F5A. F5F)	2016/06	
A6 Allroad C8 (4AH)	2018/11	
A6 C8 (4A2)	2018/02	
A6 C8 Avant (4A5)	2018/05	



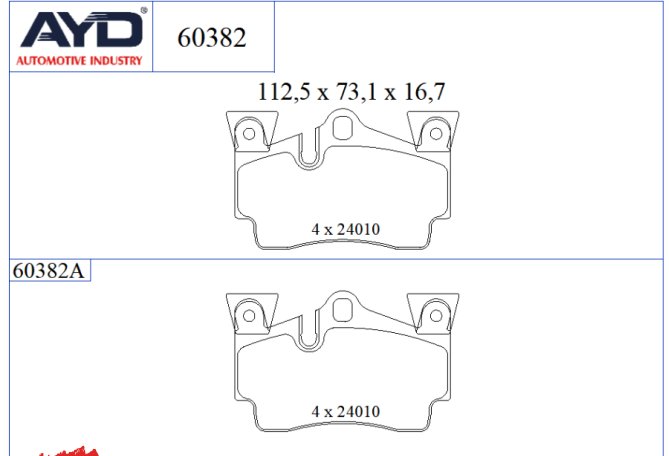
BRAKE PAD

11-60382



• Rear Axle

OE:
7L5698451



- Safety
- Performance
- OEM Standarts
- AYD Quality

WVA :24010

Technical Specifications:

Code	Shim	Wear Indicator	Indicator Type	Piston Spring	Compression Spring	Rivet	Clips	Bolt	Plastic Plug	Kit
60382A	4	-	-	-	-	-	-	-	-	-

AUDI

MODEL	START D.	END Y.
Q7 (4LB)	2006/03	2016/01
Q7 Van (4LB)	2006/03	2016/01



BRAKE PAD

11-60202



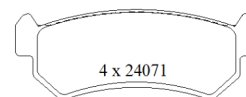
• Rear Axle

OE:
96405131

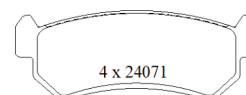
AYD
AUTOMOTIVE INDUSTRY

60202

104,4 x 38,7 x 14,6



60202A



• Safety
• Performance
• OEM Standarts
• AYD Quality

WVA :24071

Technical Specifications:

Code	Shim	Wear Indicator	Indicator Type	Piston Spring	Compression Spring	Rivet	Clips	Bolt	Plastic Plug	Kit
60202A	4	-	-	-	-	-	-	-	-	-

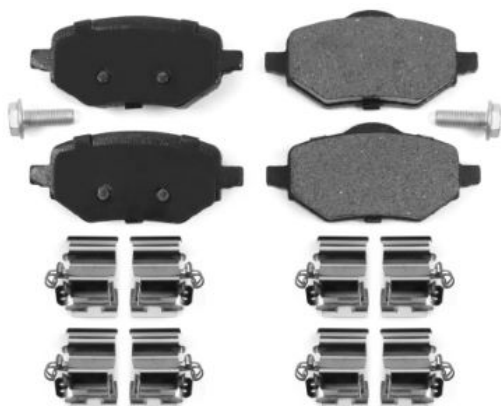
CHEVROLET

MODEL	START D.	END Y.
LACETTI (J200)	2003/03	
LACETTI Estate (J200)	2003/05	
LACETTI Saloon (J200)	2003/03	2013/03
NUBIRA Estate	2005/01	2011/12
NUBIRA Saloon	2005/01	2012/12
OPTRA (1J_)	2003/04	
OPTRA Estate	2001/09	2008/12
OPTRA Hatchback	2003/08	



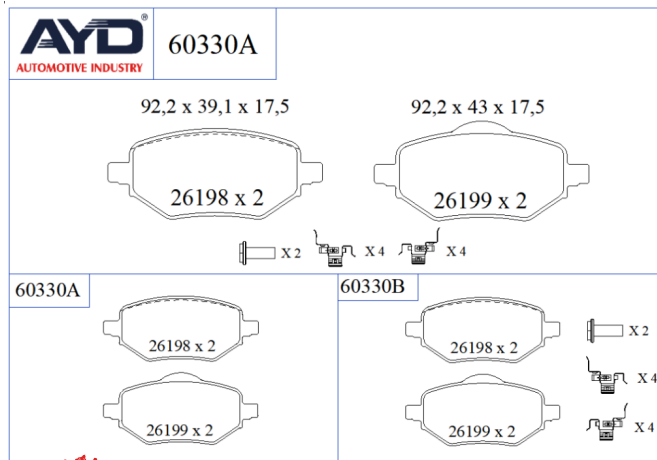
BRAKE PAD

11-60330



• Rear Axle

OE:
1643574280



• Safety
• Performance
• OEM Standarts
• AYD Quality

WVA :26198-26199

Technical Specifications:

Code	Shim	Wear Indicator	Indicator Type	Piston Spring	Compression Spring	Rivet	Clips	Bolt	Plastic Plug	Kit
60330A	4	-	-	-	-	-	-	-	-	-
60330B	4	-	-	-	-	-	8	2	-	-

CITROËN

MODEL	START D.	END Y.
C4 III (BA_ BB_ BC_)	2020/10	



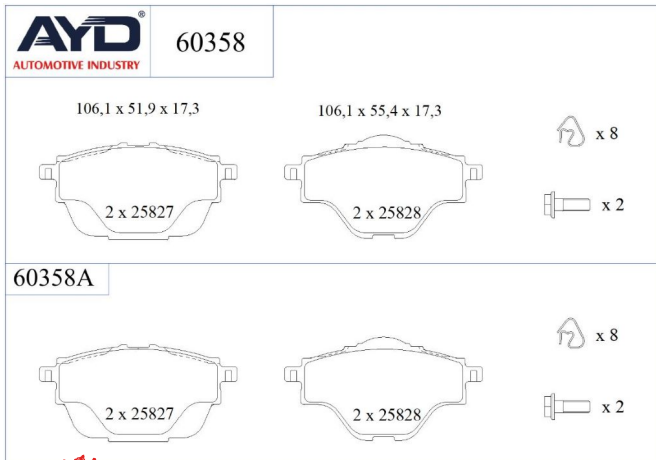
BRAKE PAD

11-60358



• Rear Axle

OE:
1619791280



• Safety
• Performance
• OEM Standarts
• AYD Quality

WVA :25827-25828

Technical Specifications:

Code	Shim	Wear Indicator	Indicator Type	Piston Spring	Compression Spring	Rivet	Clips	Bolt	Plastic Plug	Kit
60358A	4	-	-	-	8	-	-	2	-	-

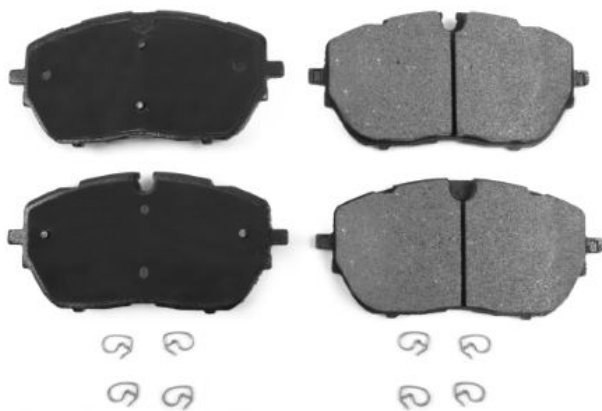
CITROËN

MODEL	START D.	END Y.
C4 GRAND PICASSO II (DA_ . DE_)	2013/06	
C4 PICASSO II	2013/01	
C4 SPACETOURER (3D_)	2018/04	
C5 AIRCROSS (A_)	2018/11	
GRAND C4 SPACETOURER (3A_ . 3E_)	2018/04	



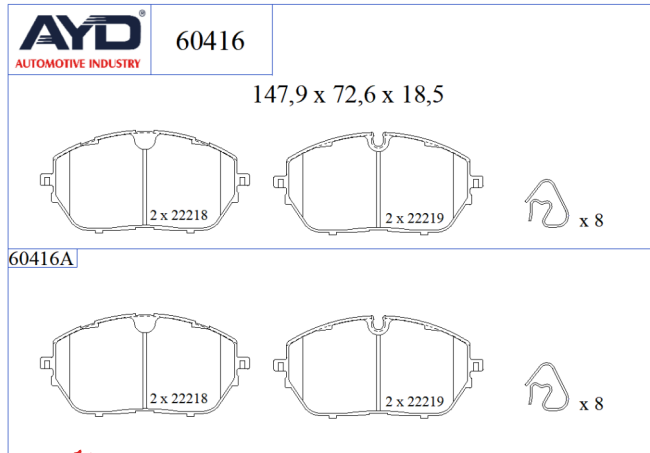
BRAKE PAD

11-60416



• Front Axle

OE:
1647859680



· Safety
· Performance
· OEM Standarts
· AYD Quality

WVA :22218-22219

Technical Specifications:

Code	Shim	Wear Indicator	Indicator Type	Piston Spring	Compression Spring	Rivet	Clips	Bolt	Plastic Plug	Kit
60416A	4	-	-	-	8	-	-	-	-	-

CITROËN

MODEL	START D.	END Y.
C5 X (ND_ NC_)	2021/09	



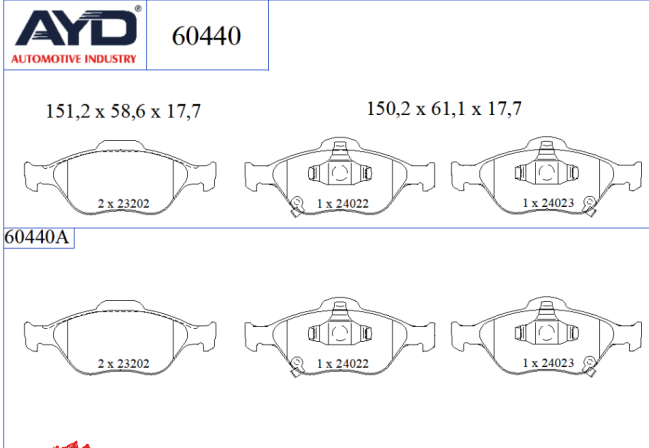
BRAKE PAD

11-60440



• Front Axle

OE:
044650D050000



· Safety
· Performance
· OEM Standarts
· AYD Quality

WVA :23202-24022-24023

Technical Specifications:

Code	Shim	Wear Indicator	Indicator Type	Piston Spring	Compression Spring	Rivet	Clips	Bolt	Plastic Plug	Kit
60440A	4	2	-	2	-	-	-	-	-	-

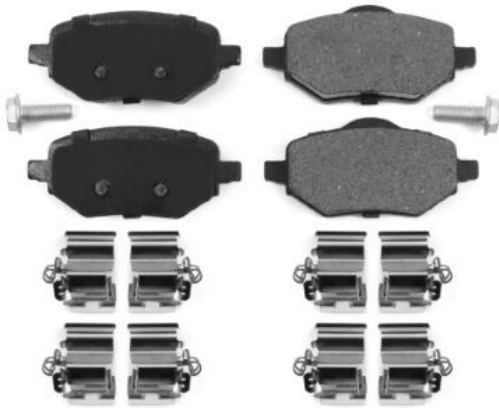
DAIHATSU

MODEL	START D.	END Y.
CHARADE VIII	2011/05	



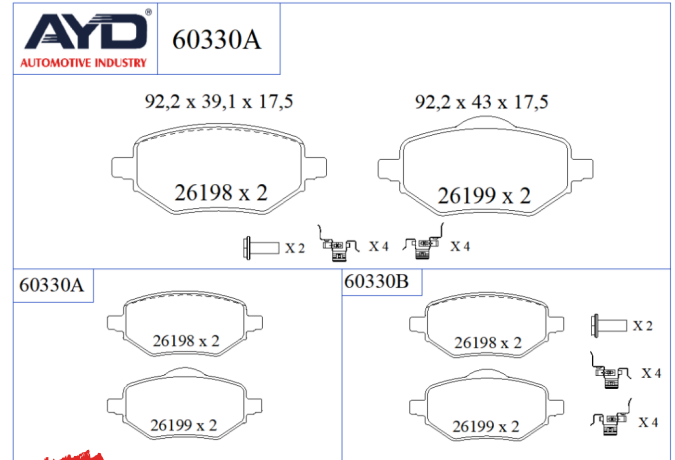
BRAKE PAD

11-60330



• Rear Axle

OE:
1643574280



- Safety
- Performance
- OEM Standarts
- AYD Quality

WVA :26198-26199

Technical Specifications:

Code	Shim	Wear Indicator	Indicator Type	Piston Spring	Compression Spring	Rivet	Clips	Bolt	Plastic Plug	Kit
60330A	4	-	-	-	-	-	-	-	-	-
60330B	4	-	-	-	-	-	8	2	-	-

DS

MODEL	START D.	END Y.
DS 3 / DS 3 CROSSBACK (UR_ . UC_ . UJ_)	2018/10	



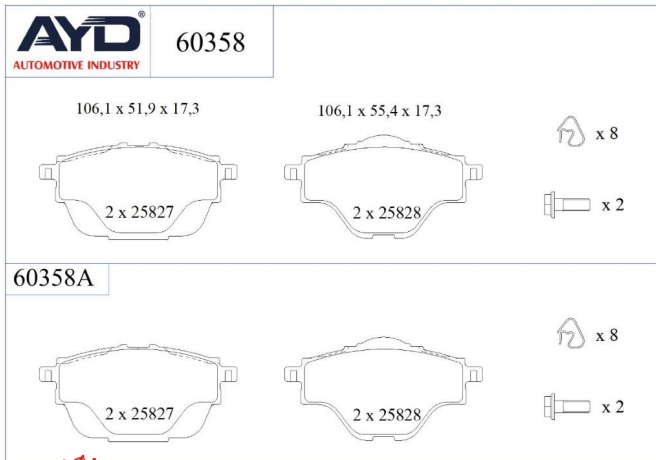
BRAKE PAD

11-60358



• Rear Axle

OE:
1647874380



• Safety
• Performance
• OEM Standarts
• AYD Quality

WVA :25827-25828

Technical Specifications:

Code	Shim	Wear Indicator	Indicator Type	Piston Spring	Compression Spring	Rivet	Clips	Bolt	Plastic Plug	Kit
60358A	4	-	-	-	8	-	-	2	-	-

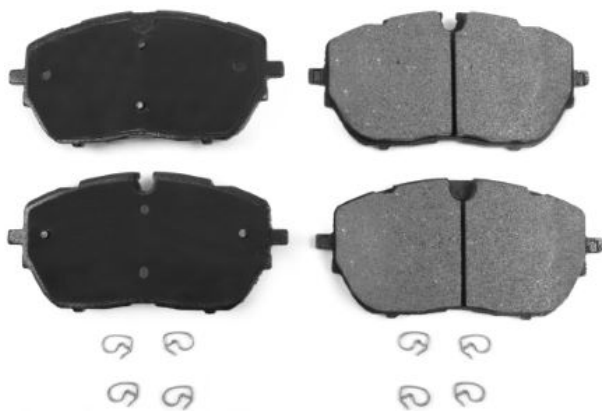
DS

MODEL	START D.	END Y.
DS 7 Crossback (J4_ . JR_ . JC_)	2017/09	



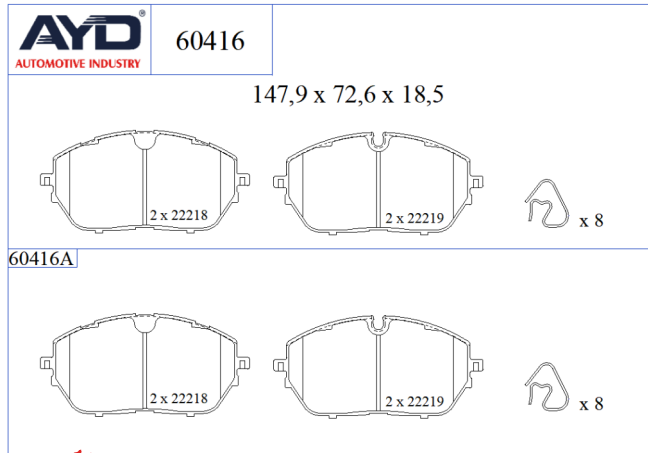
BRAKE PAD

11-60416



• Front Axle

OE:
1647859680



• Safety
• Performance
• OEM Standarts
• AYD Quality

WVA :22218-22219

Technical Specifications:

Code	Shim	Wear Indicator	Indicator Type	Piston Spring	Compression Spring	Rivet	Clips	Bolt	Plastic Plug	Kit
60416A	4	-	-	-	8	-	-	-	-	-

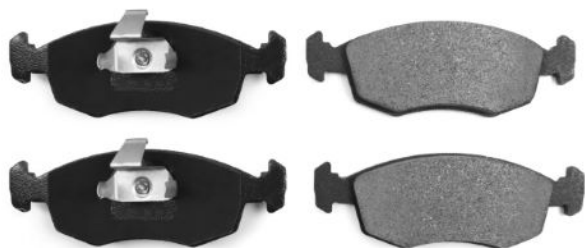
DS

MODEL	START D.	END Y.
DS 4 II (F_. FB_. F3_)	2021/10	
DS 7 Crossback (J4_. JR_. JC_)	2017/09	
DS 9 (X2_)	2020/09	



BRAKE PAD

11-60032



• Front Axle

OE:
77362178

AYD
AUTOMOTIVE INDUSTRY

60032

150,4 x 52 x 17,9



60032A



· Safety
· Performance
· OEM Standarts
· AYD Quality

WVA :23552-20907

Technical Specifications:

Code	Shim	Wear Indicator	Indicator Type	Piston Spring	Compression Spring	Rivet	Clips	Bolt	Plastic Plug	Kit
60032A	4	-	-	2	-	-	-	-	-	-

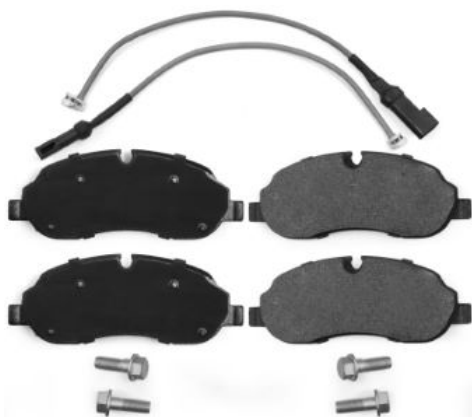
FIAT

MODEL	START D.	END Y.
PALIO (178_ . 171_)	1996/04	
PALIO Weekend (178_ . 173_ . 373_ . 374_ . 171_)	1996/04	
PUNTO (188_)	1999/09	2012/07
SIENA (178_ . 172_)	1996/04	2016/12
STRADA Pickup (178_ . 278_)	1998/02	



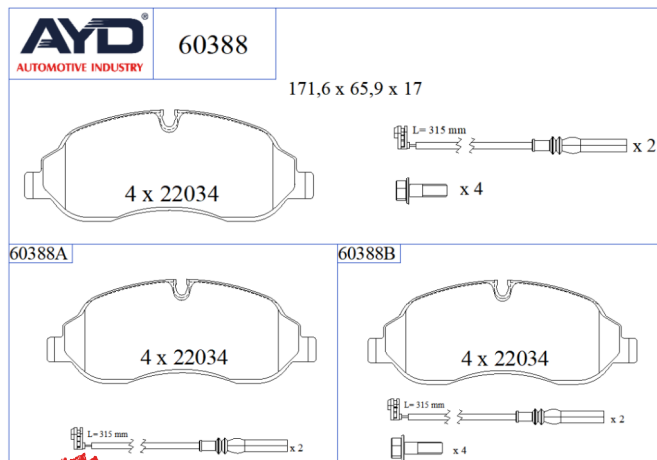
BRAKE PAD

11-60388



• Front Axle

OE:
1824121



• Safety
• Performance
• OEM Standarts
• AYD Quality

WVA :22034

Technical Specifications:

Code	Shim	Wear Indicator	Indicator Type	Piston Spring	Compression Spring	Rivet	Clips	Bolt	Plastic Plug	Kit
60388A	4	2	Cable	-	-	-	-	-	-	-
60388B	4	2	Cable	-	-	-	-	4	-	-

FORD

MODEL	START D.	END Y.
TRANSIT V363 Bus (FAD. FBD)	2013/08	
TRANSIT V363 Platform/Chassis (FED. FFD)	2013/08	
TRANSIT V363 Van (FCD. FDD)	2013/08	



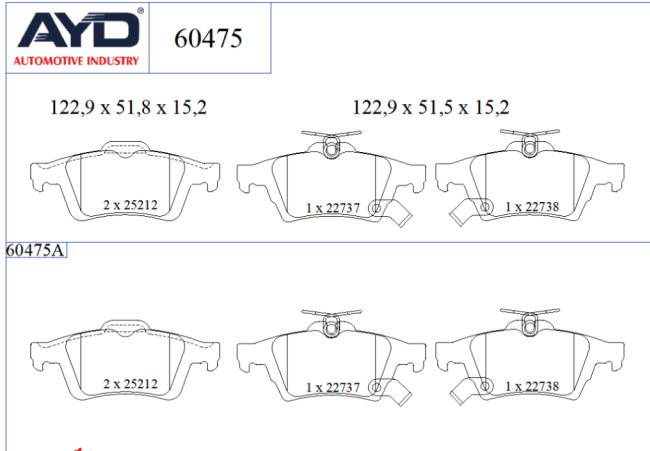
BRAKE PAD

11-60475



• Rear Axle

OE:
G1FY2M008AB



• Safety
• Performance
• OEM Standarts
• AYD Quality

WVA :25212-22737-22738

Technical Specifications:

Code	Shim	Wear Indicator	Indicator Type	Piston Spring	Compression Spring	Rivet	Clips	Bolt	Plastic Plug	Kit
60475A	4	2	-	-	2	-	-	-	-	-

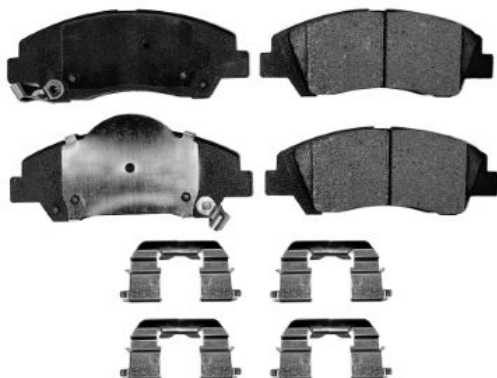
FORD

MODEL	START D.	END Y.
FOCUS III Hatchback Van	2011/01	2020/02
FOCUS III Saloon	2010/07	2020/02
FOCUS III Turnier	2010/07	2020/02



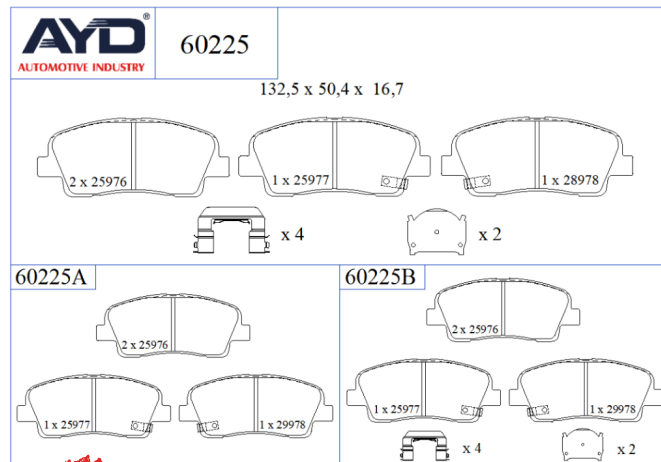
BRAKE PAD

11-60225



• Front Axle

OE:
58101B9A35
58101B4A06
58101B4A05



• Safety
• Performance
• OEM Standarts
• AYD Quality

WVA :25976-25977-25978

Technical Specifications:

Code	Shim	Wear Indicator	Indicator Type	Piston Spring	Compression Spring	Rivet	Clips	Bolt	Plastic Plug	Kit
60225A	4	2	-	-	-	-	-	-	-	-
60225B	4	2	-	-	-	-	4	-	-	-

HYUNDAI

MODEL	START D.	END Y.
i10 II (BA. IA)	2013/08	
i10 II Saloon	2013/12	
i10 III (AC3. AI3)	2019/09	



BRAKE PAD

11-60404



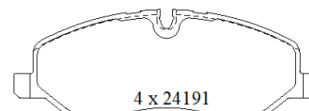
• Front Axle

OE:
LR134694
SFP5000010
SFP500010

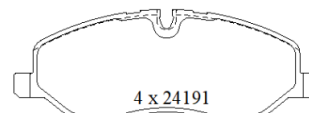


60404

162,9 x 58,5 x 18,1



60404A



• Safety
• Performance
• OEM Standarts
• AYD Quality

WVA :24191

Technical Specifications:

Code	Shim	Wear Indicator	Indicator Type	Piston Spring	Compression Spring	Rivet	Clips	Bolt	Plastic Plug	Kit
60404A	4	-	-	-	-	-	-	-	-	-

LAND ROVER

MODEL	START D.	END Y.
DISCOVERY III (L319)	2004/07	2009/09
DISCOVERY III VAN (L319)	2007/01	2009/07
DISCOVERY IV (L319)	2009/09	2018/12
DISCOVERY IV VAN (L319)	2009/09	2017/12
RANGE ROVER III (L322)	2002/03	2012/12
RANGE ROVER SPORT I (L320)	2005/02	2013/03



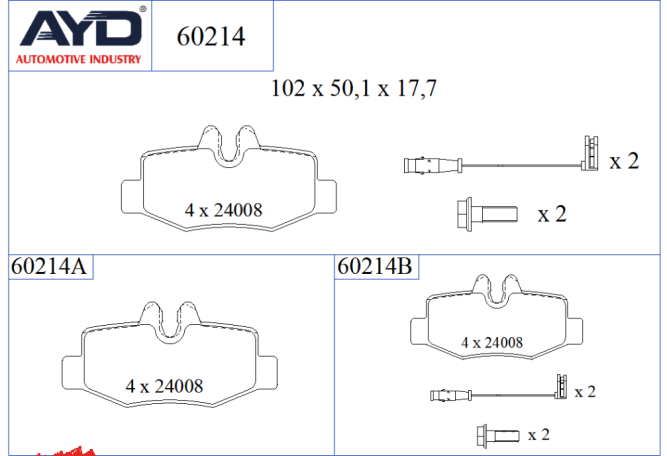
BRAKE PAD

11-60214



• Rear Axle

OE:
A0004216210



• Safety
• Performance
• OEM Standarts
• AYD Quality

WVA :24008

Technical Specifications:

Code	Shim	Wear Indicator	Indicator Type	Piston Spring	Compression Spring	Rivet	Clips	Bolt	Plastic Plug	Kit
60214A	4	-	-	-	-	-	-	-	-	-
60214B	4	2	Cable	-	-	-	-	2	-	-

MERCEDES-BENZ

MODEL	START D.	END Y.
VIANO (W639)	2003/09	
VITO / MIXTO Van (W639)	2003/08	
VITO Bus (W639)	2003/09	



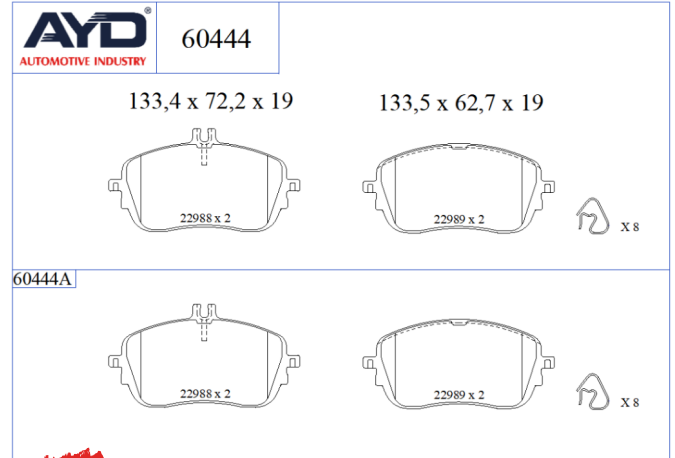
BRAKE PAD

11-60444



• Front Axle

OE:
A0004206902



• Safety
• Performance
• OEM Standarts
• AYD Quality

WVA :22988-22989

Technical Specifications:

Code	Shim	Wear Indicator	Indicator Type	Piston Spring	Compression Spring	Rivet	Clips	Bolt	Plastic Plug	Kit
60444A	4	-	-	-	8	-	-	-	-	-

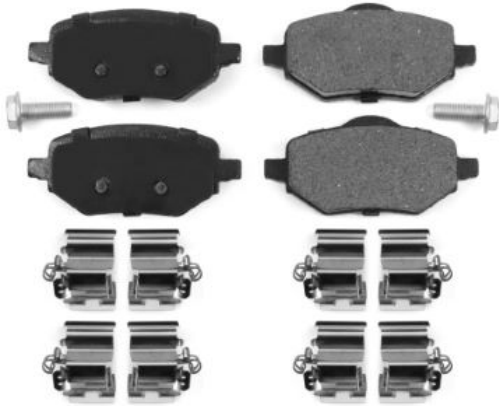
MERCEDES-BENZ

MODEL	START D.	END Y.
A-CLASS (W177)	2018/03	
A-CLASS Saloon (V177)	2018/09	
B-CLASS Sports Tourer (W247)	2018/12	
CLA (C118)	2019/03	
CLA Shooting Brake (X118)	2019/06	



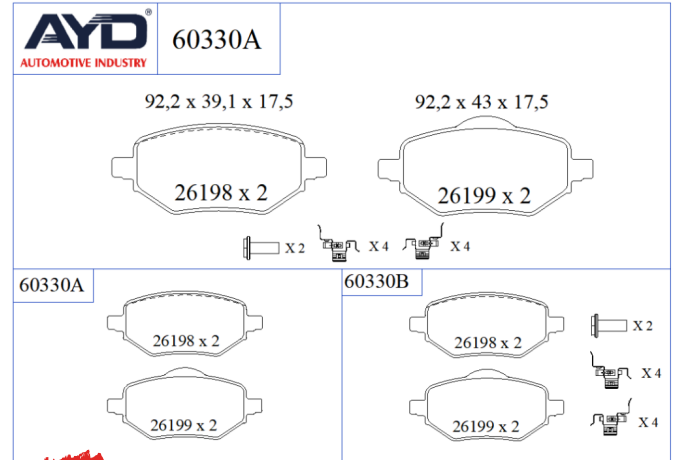
BRAKE PAD

11-60330



• Rear Axle

OE:
1680301680



- Safety
- Performance
- OEM Standarts
- AYD Quality

WVA :26198-26199

Technical Specifications:

Code	Shim	Wear Indicator	Indicator Type	Piston Spring	Compression Spring	Rivet	Clips	Bolt	Plastic Plug	Kit
60330A	4	-	-	-	-	-	-	-	-	-
60330B	4	-	-	-	-	-	8	2	-	-

OPEL

MODEL	START D.	END Y.
CORSA F (P2JO)	2019/07	
CORSA F Hatchback Van	2019/07	



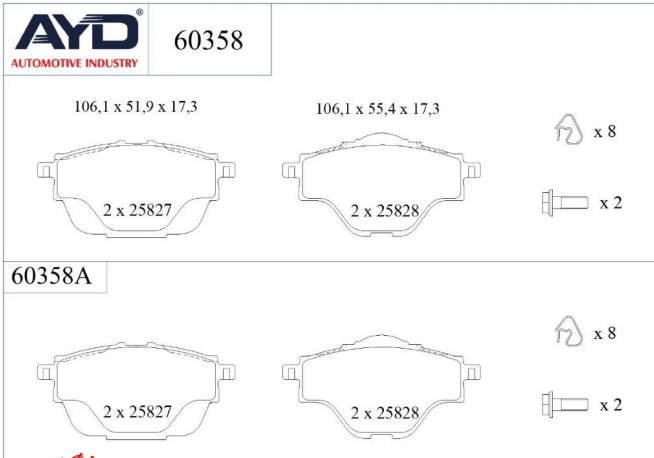
BRAKE PAD

11-60358



• Rear Axle

OE:
95525386



• Safety
• Performance
• OEM Standarts
• AYD Quality

WVA :25827-25828

Technical Specifications:

Code	Shim	Wear Indicator	Indicator Type	Piston Spring	Compression Spring	Rivet	Clips	Bolt	Plastic Plug	Kit
60358A	4	-	-	-	8	-	-	2	-	-

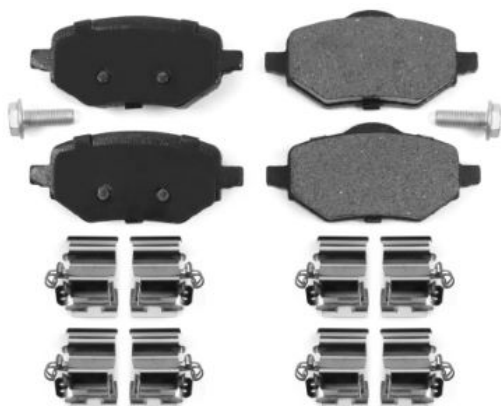
OPEL

MODEL	START D.	END Y.
GRANDLAND / GRANDLAND X (A18. P1UO)	2017/06	



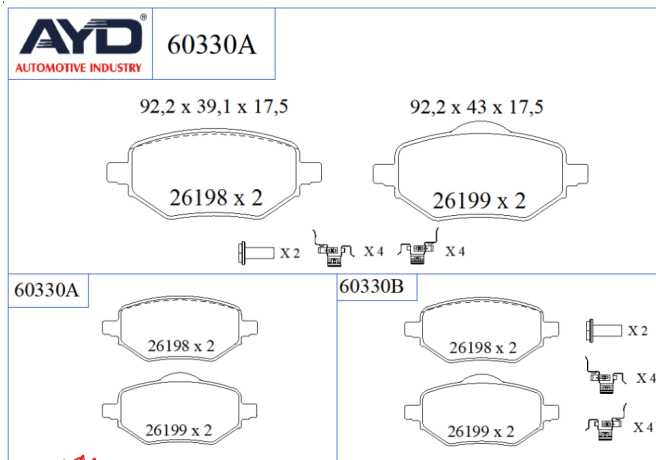
BRAKE PAD

11-60330



• Rear Axle

OE:
1680301680
1643574280



• Safety
• Performance
• OEM Standarts
• AYD Quality

WVA :26198-26199

Technical Specifications:

Code	Shim	Wear Indicator	Indicator Type	Piston Spring	Compression Spring	Rivet	Clips	Bolt	Plastic Plug	Kit
60330A	4	-	-	-	-	-	-	-	-	-
60330B	4	-	-	-	-	-	8	2	-	-

PEUGEOT

MODEL	START D.	END Y.
2008 II (UD_ . US_ . UY_ . UK_)	2019/08	



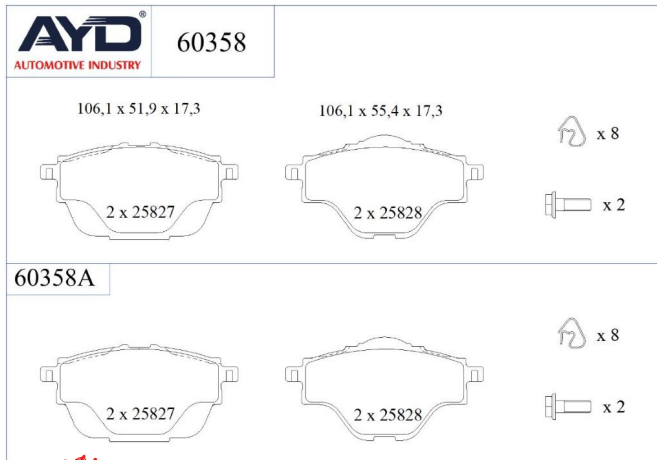
BRAKE PAD

11-60358



• Rear Axle

OE:
1647874380
1619791280
1617535480



• Safety
• Performance
• OEM Standarts
• AYD Quality

WVA :25827-25828

Technical Specifications:

Code	Shim	Wear Indicator	Indicator Type	Piston Spring	Compression Spring	Rivet	Clips	Bolt	Plastic Plug	Kit
60358A	4	-	-	-	8	-	-	2	-	-

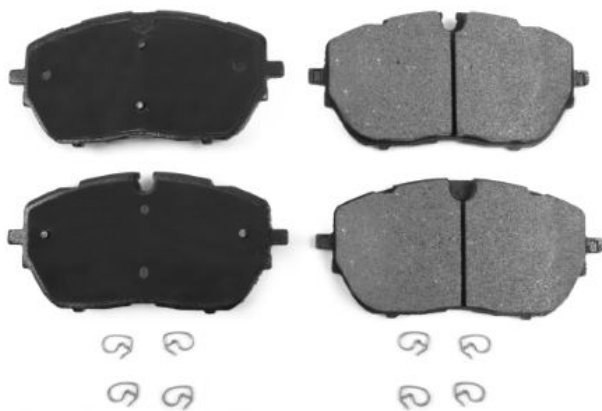
PEUGEOT

MODEL	START D.	END Y.
3008 SUV (MC_ . MR_ . MJ_ . M4_)	2016/05	
308 Hatchback Van (LB_)	2015/03	
308 II (LB_ . LP_ . LW_ . LH_ . L3_)	2013/09	2021/06
308 SW II (LC_ . LJ_ . LR_ . LX_ . L4_)	2014/03	2021/06
408 II (FP_ . F3_)	2022/07	
5008 II (MC_ . MJ_ . MR_ . M4_)	2016/12	
508 II (FB_ . FH_ . F3_)	2018/09	
508 SW II (FC_ . FJ_ . F4_)	2018/09	



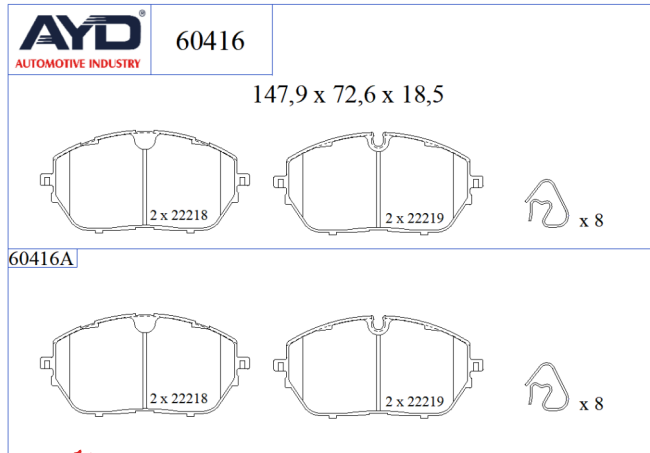
BRAKE PAD

11-60416



• Front Axle

OE:
1612373080



• Safety
• Performance
• OEM Standarts
• AYD Quality

WVA :22218-22219

Technical Specifications:

Code	Shim	Wear Indicator	Indicator Type	Piston Spring	Compression Spring	Rivet	Clips	Bolt	Plastic Plug	Kit
60416A	4	-	-	-	8	-	-	-	-	-

PEUGEOT

MODEL	START D.	END Y.
3008 SUV (MC_ . MR_ . MJ_ . M4_)	2016/05	
308 II (LB_ . LP_ . LW_ . LH_ . L3_)	2013/09	2021/06
308 III (FB_ . FH_ . FP_ . F3_ . FM_)	2021/07	
308 SW II (LC_ . LJ_ . LR_ . LX_ . L4_)	2014/03	2021/06
408 II (FP_ . F3_)	2022/07	
508 II (FB_ . FH_ . F3_)	2018/09	
508 SW II (FC_ . FJ_ . F4_)	2018/09	



BRAKE PAD

11-60382



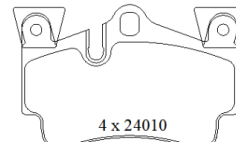
• Rear Axle

OE:
95535293950

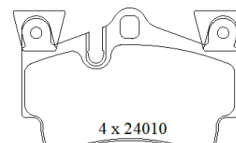
AYD
AUTOMOTIVE INDUSTRY

60382

112,5 x 73,1 x 16,7



60382A



• Safety
• Performance
• OEM Standards
• AYD Quality

WVA :24010

Technical Specifications:

Code	Shim	Wear Indicator	Indicator Type	Piston Spring	Compression Spring	Rivet	Clips	Bolt	Plastic Plug	Kit
60382A	4	-	-	-	-	-	-	-	-	-

PORSCHE

MODEL	START D.	END Y.
CAYENNE (9PA)	2002/09	2010/12



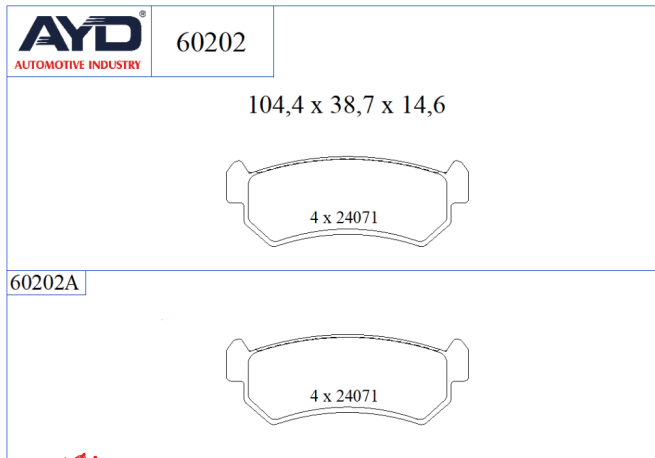
BRAKE PAD

11-60202



• Rear Axle

OE:
5550085Z00



· Safety
· Performance
· OEM Standarts
· AYD Quality

WVA :24071

Technical Specifications:

Code	Shim	Wear Indicator	Indicator Type	Piston Spring	Compression Spring	Rivet	Clips	Bolt	Plastic Plug	Kit
60202A	4	-	-	-	-	-	-	-	-	-

SUZUKI

MODEL	START D.	END Y.
RENO Hatchback	2004/09	2008/12



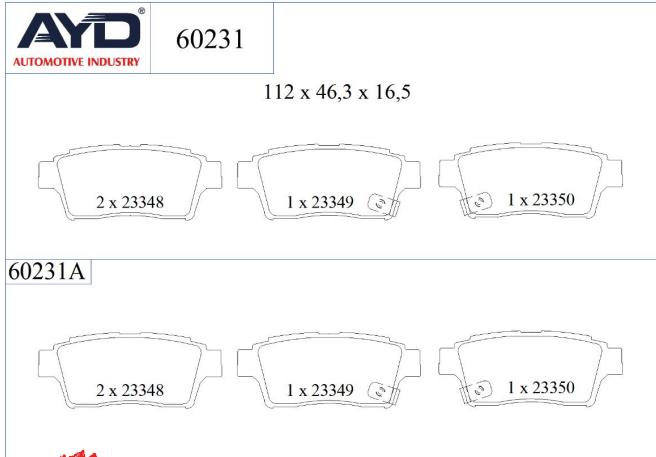
BRAKE PAD

11-60231



• Front Axle

OE:
0446552031



· Safety
· Performance
· OEM Standards
· AYD Quality

WVA :23348-23349-23350

Technical Specifications:

Code	Shim	Wear Indicator	Indicator Type	Piston Spring	Compression Spring	Rivet	Clips	Bolt	Plastic Plug	Kit
60232A	4	2	-	-	-	-	-	-	-	-

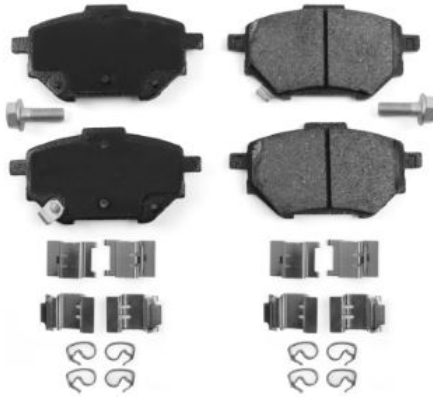
TOYOTA

MODEL	START D.	END Y.
YARIS (_P1_)	1999/01	2005/12



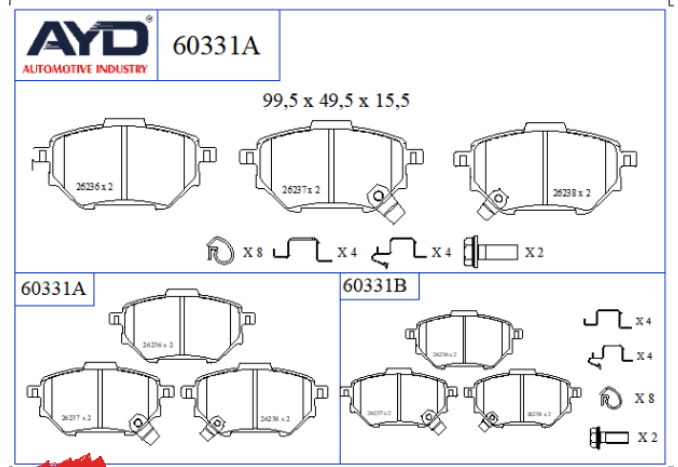
BRAKE PAD

11-60331



• Rear Axle

OE:
0446602410



• Safety
• Performance
• OEM Standarts
• AYD Quality

WVA :26236-26237-26238

Technical Specifications:

Code	Shim	Wear Indicator	Indicator Type	Piston Spring	Compression Spring	Rivet	Clips	Bolt	Plastic Plug	Kit
60331A	4	2	-	-	-	-	-	-	-	-
60331B	4	2	-	-	8	-	8	2	-	-

TOYOTA

MODEL	START D.	END Y.
COROLLA Saloon (_E21_)	2019/01	



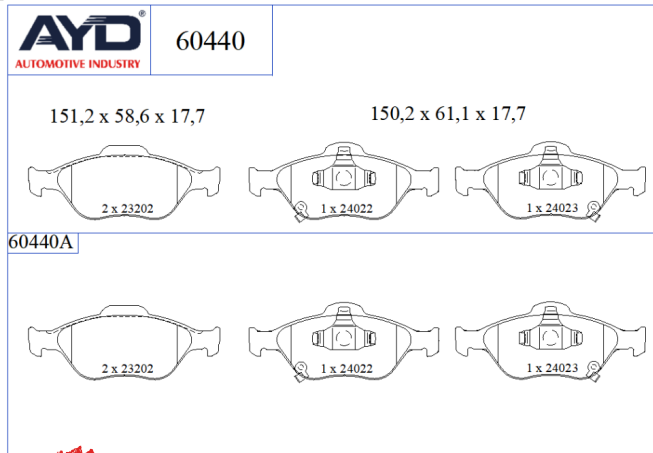
BRAKE PAD

11-60440



• Front Axle

OE:
044650D210



• Safety
• Performance
• OEM Standarts
• AYD Quality

WVA :23202-24022-24023

Technical Specifications:

Code	Shim	Wear Indicator	Indicator Type	Piston Spring	Compression Spring	Rivet	Clips	Bolt	Plastic Plug	Kit
60440A	4	2	-	2	-	-	-	-	-	-

TOYOTA

MODEL	START D.	END Y.
YARIS (_P13_)	2010/12	
YARIS (_P9_)	2005/01	2014/12
YARIS Hatchback Van (_P13_)	2012/10	



BRAKE PAD

11-60358



• Rear Axle

OE:
95525386

		60358
106,1 x 51,9 x 17,3	106,1 x 55,4 x 17,3	x 8 x 2
 2 x 25827	 2 x 25828	
60358A		
 2 x 25827	 2 x 25828	x 8 x 2

WVA :25827-25828

- Safety
- Performance
- OEM Standarts
- AYD Quality

Technical Specifications:

Code	Shim	Wear Indicator	Indicator Type	Piston Spring	Compression Spring	Rivet	Clips	Bolt	Plastic Plug	Kit
60358A	4	-	-	-	8	-	-	2	-	-

VAUXHALL

MODEL	START D.	END Y.
GRANDLAND X / GRANDLAND (A18)	2017/06	

