

new to range

SPEED TO MARKET SECOND TO NONE

AYD[®]
AUTOMOTIVE INDUSTRY



BRAKING THE DIFFERENCE

SAFETY

PERFORMANCE

OEM Standards

AYD QUALITY

www.aydtr.com



OCTOBER 2023

INDEX

ACURA	3-4
BUICK	5-7
CADILLAC	8-9
CHEVROLET	10-13
CHRYSLER	14
DODGE	15-18
FORD	19-25
GMC	26
HONDA	27-28
HUMMER	29
HYUNDAI	30-31
INFINITI	32
KIA	33-34
LEXUS	35-36
MAZDA	37-38
MERCURY	39
MITSUBISHI	40
NISSAN	41-44
OLDMOBILE	45
OPEL	46
PLYMOUTH	47
PONTIAC	48-49
SUZUKI	50-51
TOYOTA	52-53
VAUXHALL	54

BRAKE DISC

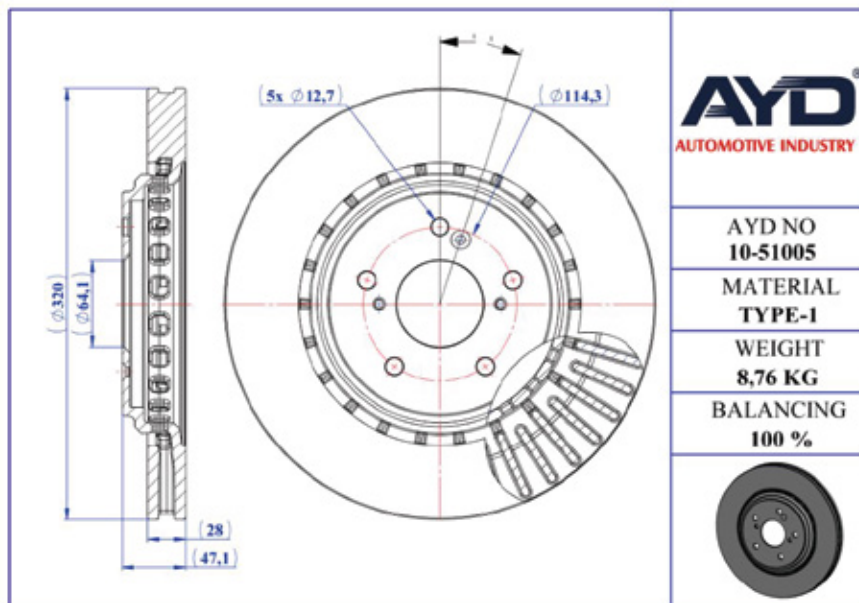
- Front Axle
- Vented

- Safety
- Performance
- OEM Standarts
- AYD Quality



OE:
45251TZ5A01
45251TZ5A00

10-51005



AYD
AUTOMOTIVE INDUSTRY

AYD NO
10-51005

MATERIAL
TYPE-1

WEIGHT
8,76 KG

BALANCING
100 %



Technical Specifications:

Diameter (mm)	Height (mm)	Brake Disc Thickness (mm)	Min. Thickness (mm)	Centering Diameter (mm)	Bolt Hole Circle (mm)	Num. of Holes
320	47,1	28	26	64,1	114,3	5+3

ACURA

MODEL	START Y.	END Y.
MDX (YD_)	2013/06	
TLX	2014/07	

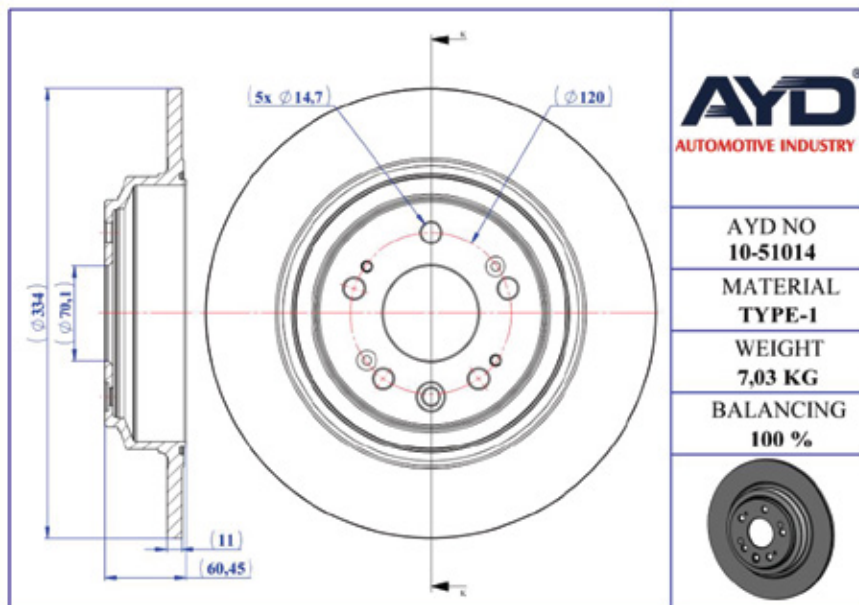


BRAKE DISC

- Rear Axle
- Solid

- Safety
- Performance
- OEM Standarts
- AYD Quality

OE:
42510TK4A01
42510TK4A00



AYD
AUTOMOTIVE INDUSTRY

AYD NO
10-51014

MATERIAL
TYPE-1

WEIGHT
7,03 KG

BALANCING
100 %



10-51014

Technical Specifications:

Diameter (mm)	Height (mm)	Brake Disc Thickness (mm)	Min. Thickness (mm)	Centering Diameter (mm)	Bolt Hole Circle (mm)	Num. of Holes
334	60,45	11	9	70,1	120	5+5

ACURA

MODEL	START Y.	END Y.
TL (UA8, UA9)	2009/01	

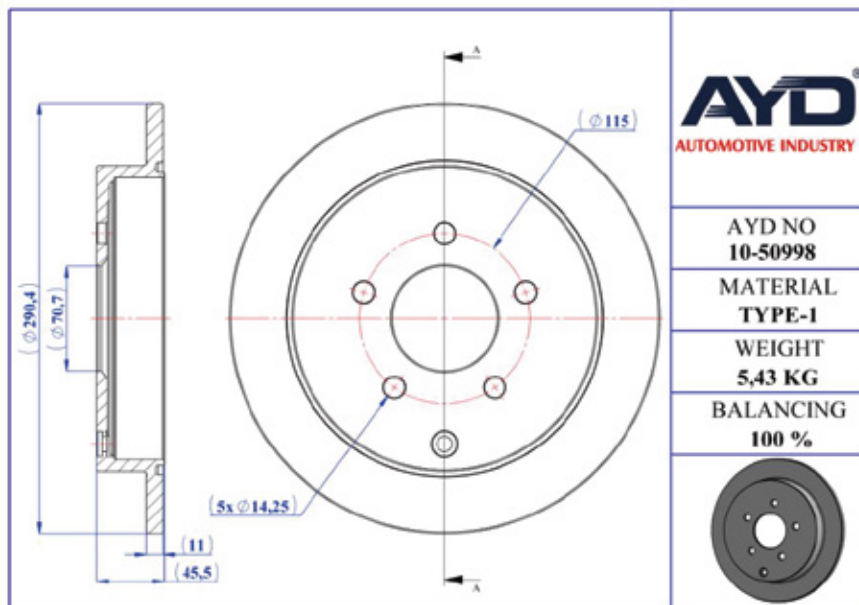
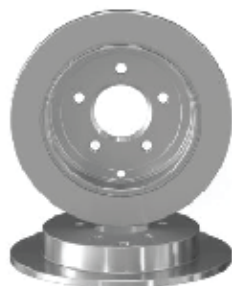


BRAKE DISC

- Rear Axle
- Solid

- Safety
- Performance
- OEM Standarts
- AYD Quality

OE:
19149233
18060646



AYD
AUTOMOTIVE INDUSTRY

AYD NO
10-50998

MATERIAL
TYPE-1

WEIGHT
5,43 KG

BALANCING
100 %



10-50998

Technical Specifications:

Diameter (mm)	Height (mm)	Brake Disc Thickness (mm)	Min. Thickness (mm)	Centering Diameter (mm)	Bolt Hole Circle (mm)	Num. of Holes
290,4	45,5	11	9	70,7	115	5+1

BUICK

MODEL	START Y.	END Y.
RENDEZVOUZ	2000/04	2007/12



BRAKE DISC

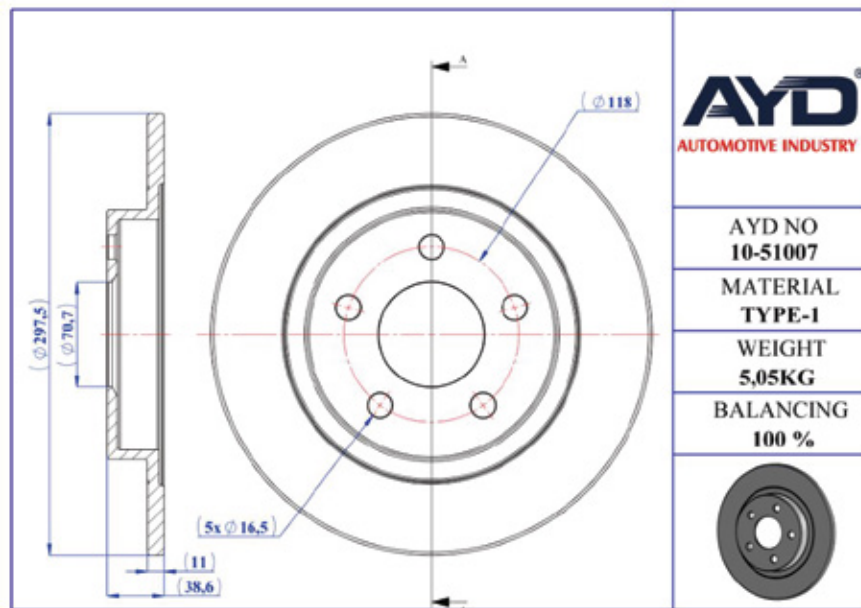
- Rear Axle
- Solid

- Safety
- Performance
- OEM Standarts
- AYD Quality



OE:
18040482

10-51007



AYD
AUTOMOTIVE INDUSTRY

AYD NO
10-51007

MATERIAL
TYPE-1

WEIGHT
5,05KG

BALANCING
100 %



Technical Specifications:

Diameter (mm)	Height (mm)	Brake Disc Thickness (mm)	Min. Thickness (mm)	Centering Diameter (mm)	Bolt Hole Circle (mm)	Num. of Holes
297,5	38,6	11	9	70,7	118	5

BUICK

MODEL	START Y.	END Y.
PARK AVENUE	1996/10	2005/12

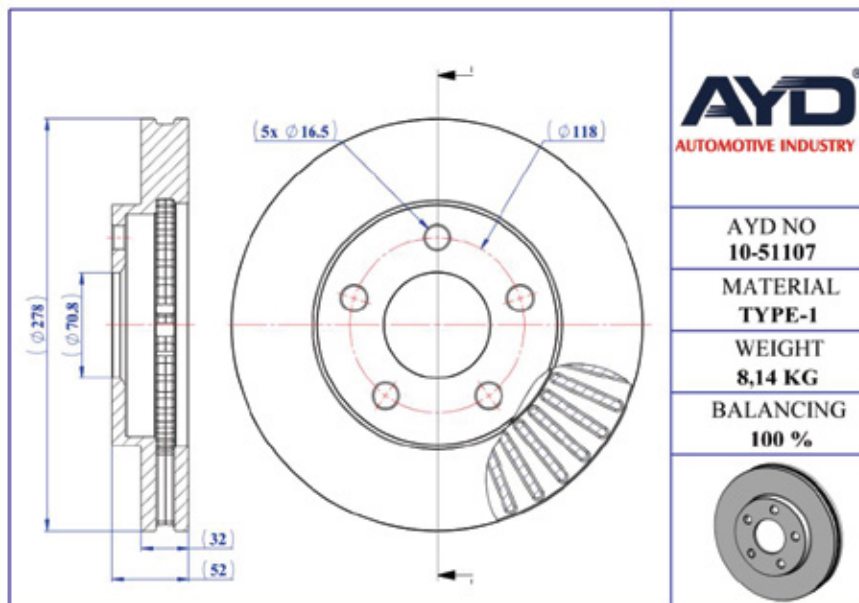


BRAKE DISC

- Front Axle
- Vented

- Safety
- Performance
- OEM Standarts
- AYD Quality

OE:
18018860
18021767
18023029



AYD
AUTOMOTIVE INDUSTRY

AYD NO
10-51107

MATERIAL
TYPE-1

WEIGHT
8,14 KG

BALANCING
100 %



10-51107

Technical Specifications:

Diameter (mm)	Height (mm)	Brake Disc Thickness (mm)	Min. Thickness (mm)	Centering Diameter (mm)	Bolt Hole Circle (mm)	Num. of Holes
278	52	32	30,7	70,8	118	5

BUICK

MODEL	START Y.	END Y.
LESABRE	1991/10	1995/09
PARK AVENUE	1996/10	2005/12
PARK AVENUE	1990/10	1996/10
RIVIERA Coupe	1993/09	1999/12



BRAKE DISC

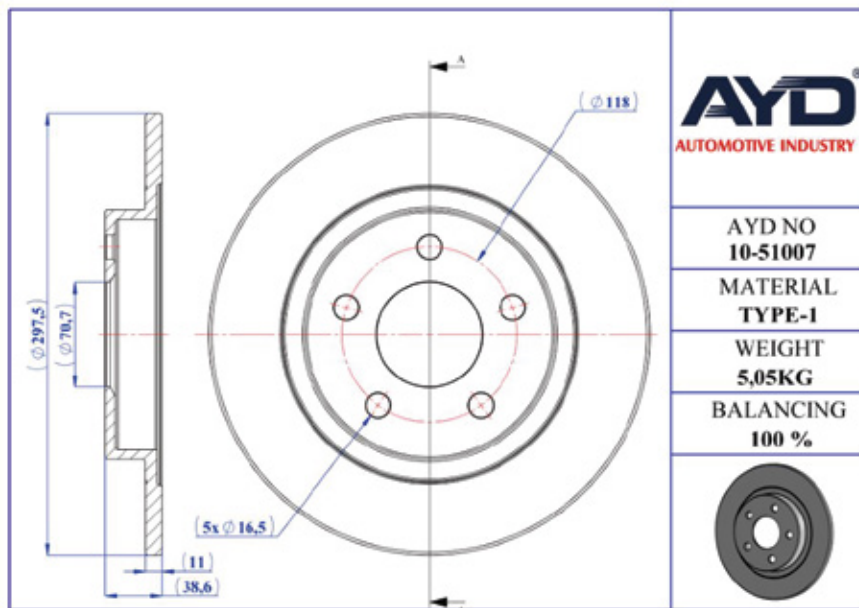
- Rear Axle
- Solid

- Safety
- Performance
- OEM Standarts
- AYD Quality



OE:
18023592

10-51007



AYD
AUTOMOTIVE INDUSTRY

AYD NO
10-51007

MATERIAL
TYPE-1

WEIGHT
5,05KG

BALANCING
100 %



Technical Specifications:

Diameter (mm)	Height (mm)	Brake Disc Thickness (mm)	Min. Thickness (mm)	Centering Diameter (mm)	Bolt Hole Circle (mm)	Num. of Holes
297,5	38,6	11	9	70,7	118	5

CADILLAC

MODEL	START Y.	END Y.
DEVILLE	1999/09	2005/12
SEVILLE	1997/09	2004/09

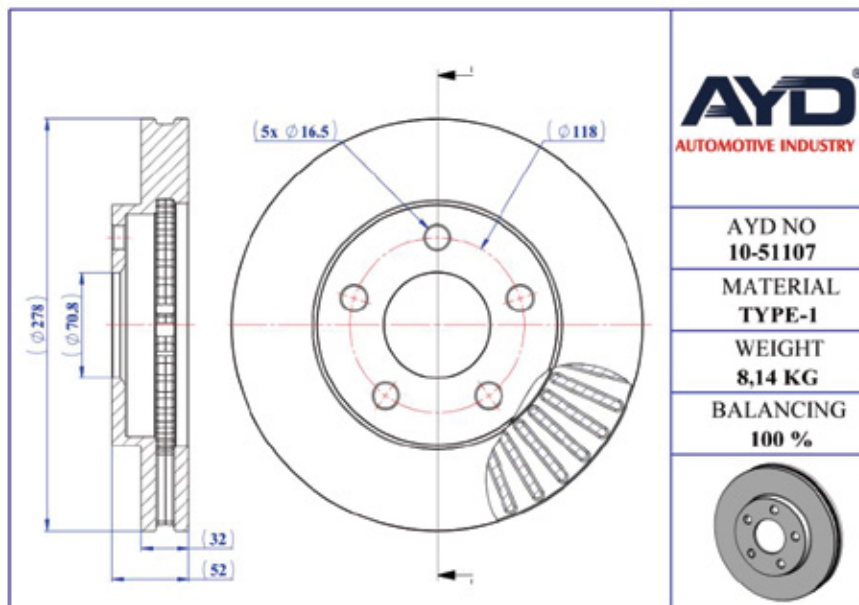


BRAKE DISC

- Front Axle
- Vented

- Safety
- Performance
- OEM Standarts
- AYD Quality

OE:
18021767
18018860
18018903



10-51107

Technical Specifications:

Diameter (mm)	Height (mm)	Brake Disc Thickness (mm)	Min. Thickness (mm)	Centering Diameter (mm)	Bolt Hole Circle (mm)	Num. of Holes
278	52	32	30,7	70,8	118	5

CADILLAC

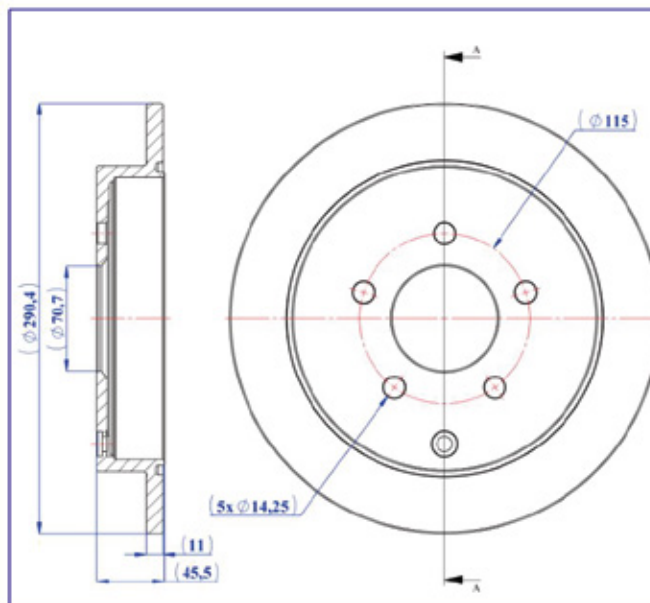
MODEL	START Y.	END Y.
ALLANTE Convertible (V)	1985/09	1993/09
DEVILLE	1999/09	2005/12
DEVILLE	1993/09	1999/09
DEVILLE	1989/09	1993/09
DEVILLE Coupe	1984/09	1993/12
ELDORADO Coupe	1991/09	2002/09
FLEETWOOD Coupe	1988/09	1992/12
FLEETWOOD Saloon	1988/09	1993/12
SEVILLE (6K_)	1992/06	1997/09



BRAKE DISC

- Rear Axle
- Solid

- Safety
- Performance
- OEM Standarts
- AYD Quality



AYD
AUTOMOTIVE INDUSTRY

AYD NO
10-50998

MATERIAL
TYPE-1

WEIGHT
5,43 KG

BALANCING
100 %



OE:
18060646

10-50998

Technical Specifications:

Diameter (mm)	Height (mm)	Brake Disc Thickness (mm)	Min. Thickness (mm)	Centering Diameter (mm)	Bolt Hole Circle (mm)	Num. of Holes
290,4	45,5	11	9	70,7	115	5+1

CHEVROLET

MODEL	START Y.	END Y.
VENTURE	1996/09	2005/12



BRAKE DISC

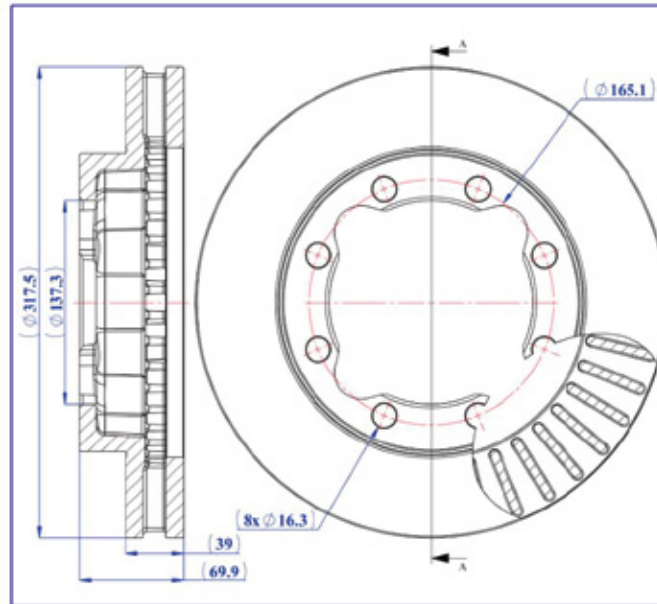
- Front Axle
- Vented

- Safety
- Performance
- OEM Standarts
- AYD Quality



OE:
4798314

10-51008



AYD
AUTOMOTIVE INDUSTRY

AYD NO
10-51008

MATERIAL
TYPE-1

WEIGHT
11,50 KG

BALANCING
100 %



Technical Specifications:

Diameter (mm)	Height (mm)	Brake Disc Thickness (mm)	Min. Thickness (mm)	Centering Diameter (mm)	Bolt Hole Circle (mm)	Num. of Holes
317,5	69,9	39	37,21	137,3	165,1	8

CHEVROLET

MODEL	START Y.	END Y.
K3500 Extended Cab Pickup	1987/09	2000/12



BRAKE DISC

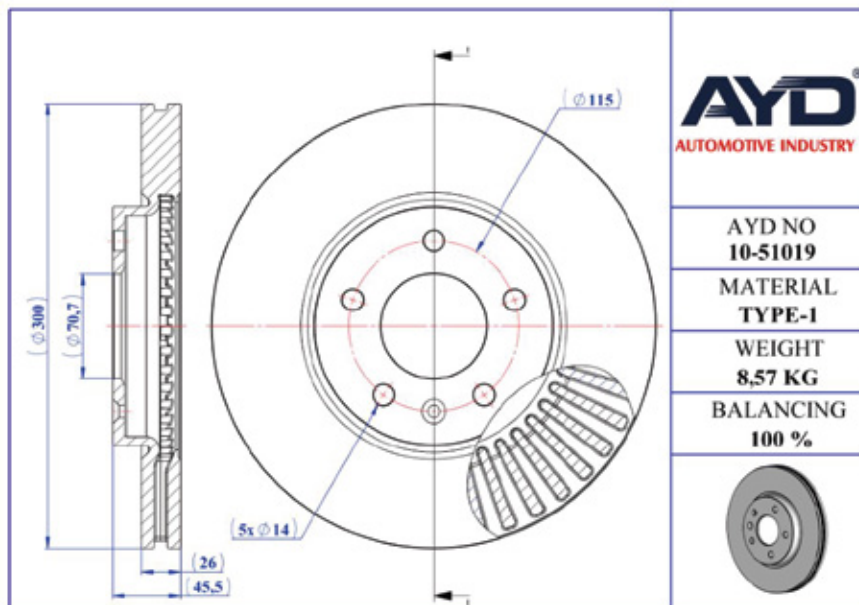
- Front Axle
- Vented

- Safety
- Performance
- OEM Standards
- AYD Quality



OE:
23118275

10-51019



AYD
AUTOMOTIVE INDUSTRY

AYD NO
10-51019

MATERIAL
TYPE-1

WEIGHT
8,57 KG

BALANCING
100 %



Technical Specifications:

Diameter (mm)	Height (mm)	Brake Disc Thickness (mm)	Min. Thickness (mm)	Centering Diameter (mm)	Bolt Hole Circle (mm)	Num. of Holes
300	45,5	26	23	70,7	115	5+1

CHEVROLET

MODEL	START Y.	END Y.
CRUZE (J300)	2009/05	
CRUZE Hatchback (J305)	2010/12	
CRUZE Station Wagon (J308)	2012/08	
ORLANDO (J309)	2010/12	
VOLT	2011/04	

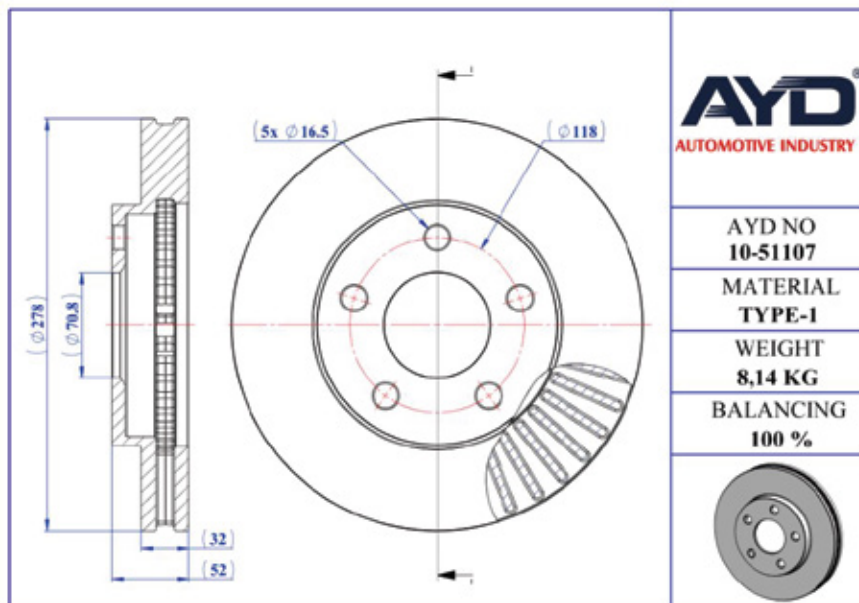


BRAKE DISC

- Front Axle
- Vented

- Safety
- Performance
- OEM Standarts
- AYD Quality

OE:
18060235
18018860
18018903



AYD
AUTOMOTIVE INDUSTRY

AYD NO
10-51107

MATERIAL
TYPE-1

WEIGHT
8,14 KG

BALANCING
100 %



10-51107

Technical Specifications:

Diameter (mm)	Height (mm)	Brake Disc Thickness (mm)	Min. Thickness (mm)	Centering Diameter (mm)	Bolt Hole Circle (mm)	Num. of Holes
278	52	32	30,7	70,8	118	5

CHEVROLET

MODEL	START Y.	END Y.
CAMARO	1992/12	2002/12
CAMARO Convertible	1992/10	2002/12
LUMINA APV Mini Cargo Van (1U_)	1988/09	1996/12
LUMINA APV MPV	1988/09	1996/12



BRAKE DISC

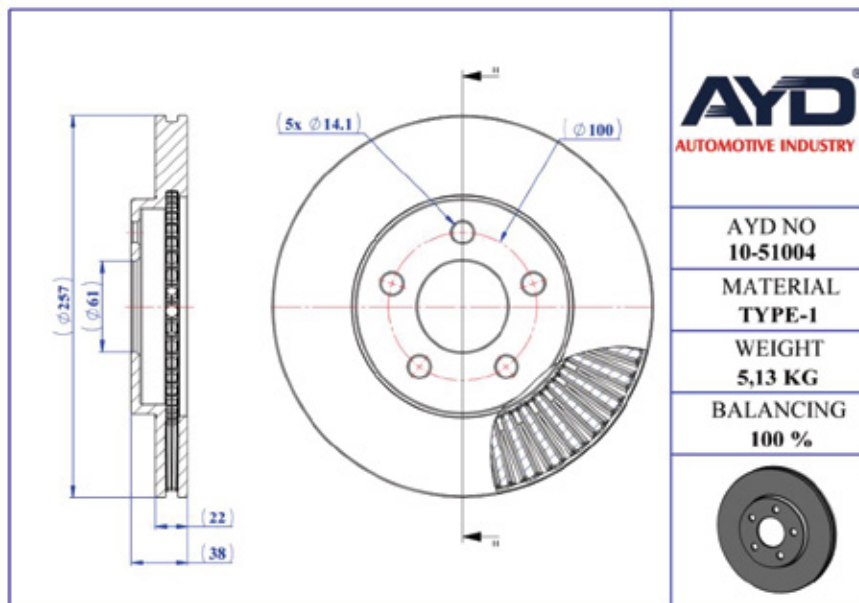
- Front Axle
- Vented

- Safety
- Performance
- OEM Standarts
- AYD Quality



OE:
4509760AB

10-51004



AYD
AUTOMOTIVE INDUSTRY

AYD NO
10-51004

MATERIAL
TYPE-1

WEIGHT
5,13 KG

BALANCING
100 %



Technical Specifications:

Diameter (mm)	Height (mm)	Brake Disc Thickness (mm)	Min. Thickness (mm)	Centering Diameter (mm)	Bolt Hole Circle (mm)	Num. of Holes
257	38	22	20,4	61	100	5

CHRYSLER

MODEL	START Y.	END Y.
NEON (PL)	1994/05	2000/09
NEON II	1999/08	2006/12



BRAKE DISC

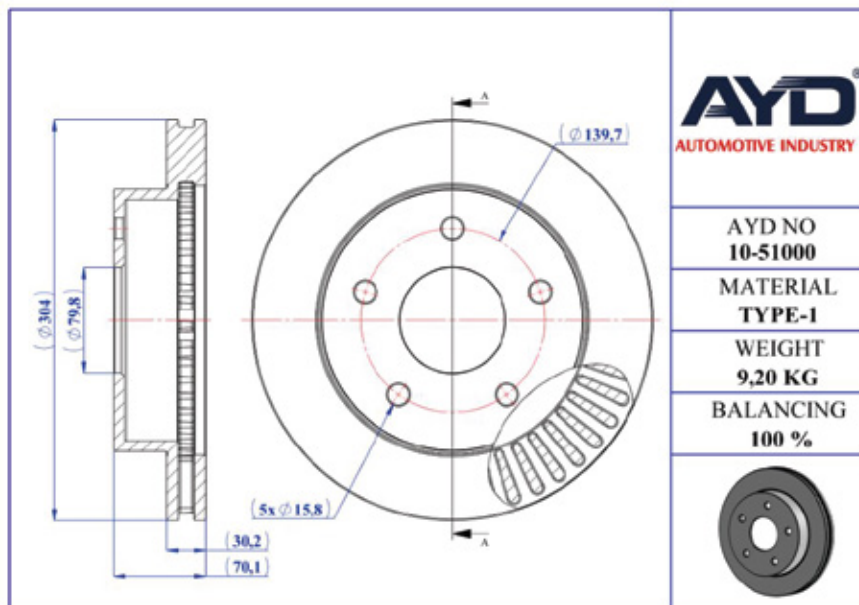
- Front Axle
- Vented

- Safety
- Performance
- OEM Standarts
- AYD Quality



OE:
52009865AA

10-51000



AYD
AUTOMOTIVE INDUSTRY

AYD NO
10-51000

MATERIAL
TYPE-1

WEIGHT
9,20 KG

BALANCING
100 %



Technical Specifications:

Diameter (mm)	Height (mm)	Brake Disc Thickness (mm)	Min. Thickness (mm)	Centering Diameter (mm)	Bolt Hole Circle (mm)	Num. of Holes
304	70,1	30,2	28,39	79,8	139,7	5

DODGE

MODEL	START Y.	END Y.
RAM 1500 Pickup (BE, BR)	1991/04	2002/08
RAM 1500 Pickup (D1, DC, DH, DM, DR)	2001/06	2008/09



BRAKE DISC

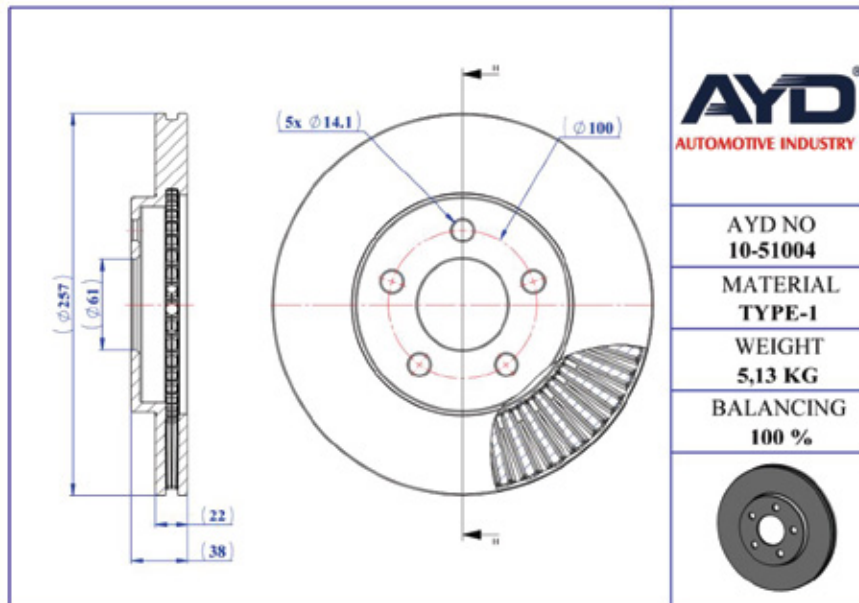
- Front Axle
- Vented

- Safety
- Performance
- OEM Standarts
- AYD Quality



OE:
5273038AA

10-51004



AYD
AUTOMOTIVE INDUSTRY

AYD NO
10-51004

MATERIAL
TYPE-1

WEIGHT
5,13 KG

BALANCING
100 %



Technical Specifications:

Diameter (mm)	Height (mm)	Brake Disc Thickness (mm)	Min. Thickness (mm)	Centering Diameter (mm)	Bolt Hole Circle (mm)	Num. of Holes
257	38	22	20,4	61	100	5

DODGE

MODEL	START Y.	END Y.
NEON	1994/05	1999/08
NEON Coupe	1994/01	1999/09
NEON II	1999/08	



BRAKE DISC

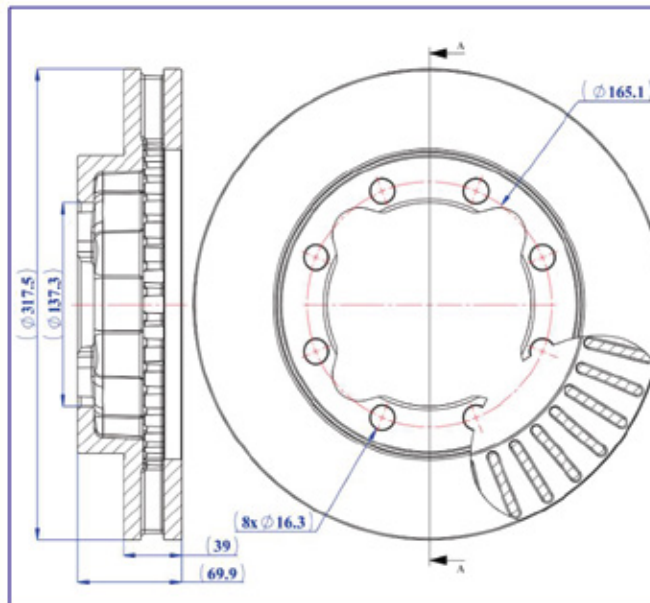
- Front Axle
- Vented

- Safety
- Performance
- OEM Standarts
- AYD Quality



OE:
4798314

10-51008



AYD
AUTOMOTIVE INDUSTRY

AYD NO
10-51008

MATERIAL
TYPE-1

WEIGHT
11,50 KG

BALANCING
100 %



Technical Specifications:

Diameter (mm)	Height (mm)	Brake Disc Thickness (mm)	Min. Thickness (mm)	Centering Diameter (mm)	Bolt Hole Circle (mm)	Num. of Holes
317,5	69,9	39	37,21	137,3	165,1	8

DODGE

MODEL	START Y.	END Y.
RAM 2500 Crew Cab Pickup	1993/09	2001/12
RAM 2500 Pickup (BE, BR)	1993/01	2002/12
RAM 2500 Standard Cab Pickup	1993/09	2001/12
RAM 3500 Pickup (BR, BE)	1993/01	2002/12
RAM 3500 Standard Cab Pickup	1992/09	2001/12

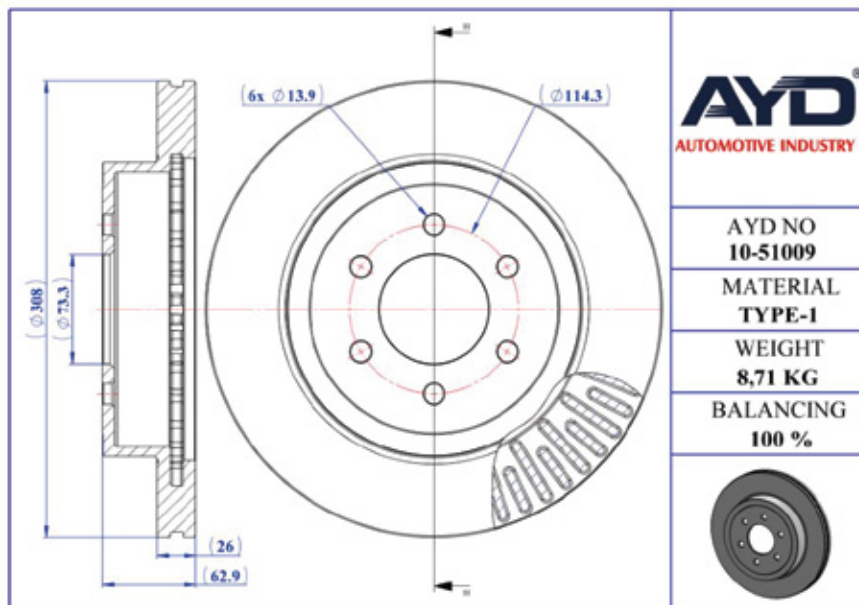


BRAKE DISC

- Front Axle
- Vented

- Safety
- Performance
- OEM Standarts
- AYD Quality

OE:
52010248AB
52010248AA
52010248A



10-51009

Technical Specifications:

Diameter (mm)	Height (mm)	Brake Disc Thickness (mm)	Min. Thickness (mm)	Centering Diameter (mm)	Bolt Hole Circle (mm)	Num. of Holes
308	62,9	26	24,5	73,3	114,3	6

DODGE

MODEL	START Y.	END Y.
DAKOTA	2003/10	

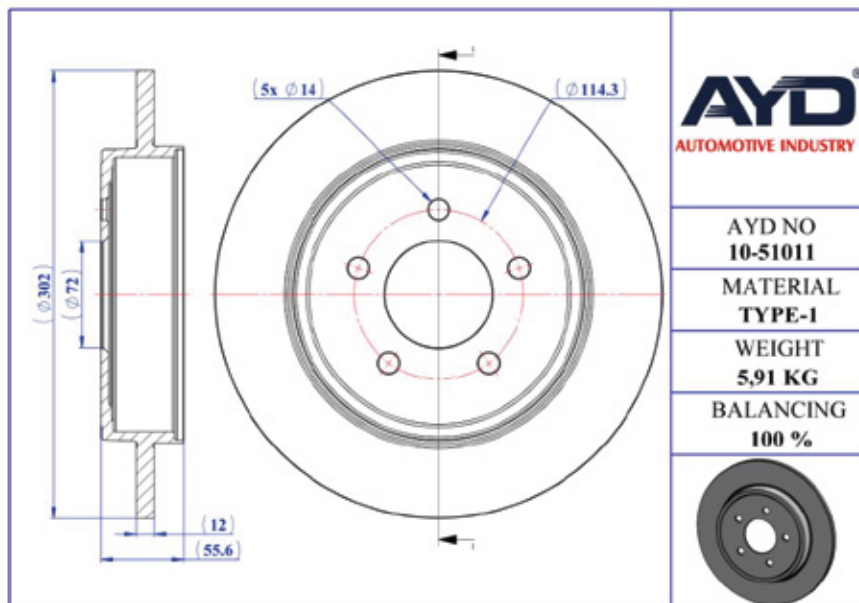


BRAKE DISC

- Rear Axle
- Solid

- Safety
- Performance
- OEM Standarts
- AYD Quality

OE:
5L8Z2C026AA
5L8Z2C026BA
4947737



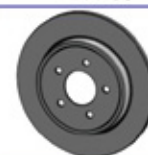
AYD
AUTOMOTIVE INDUSTRY

AYD NO
10-51011

MATERIAL
TYPE-1

WEIGHT
5,91 KG

BALANCING
100 %



10-51011

Technical Specifications:

Diameter (mm)	Height (mm)	Brake Disc Thickness (mm)	Min. Thickness (mm)	Centering Diameter (mm)	Bolt Hole Circle (mm)	Num. of Holes
302	55,6	12	11	72	114,3	5

FORD

MODEL	START Y.	END Y.
MAVERICK	2001/02	



BRAKE DISC

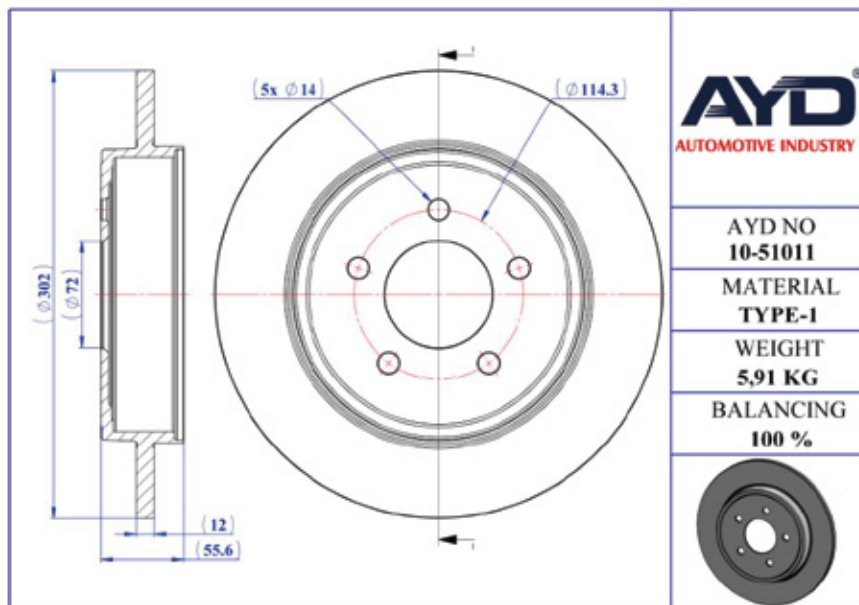
- Rear Axle
- Solid

- Safety
- Performance
- OEM Standards
- AYD Quality



OE:
5L8Z2C026AA
5L8Z2C026BA

10-51011



Technical Specifications:

Diameter (mm)	Height (mm)	Brake Disc Thickness (mm)	Min. Thickness (mm)	Centering Diameter (mm)	Bolt Hole Circle (mm)	Num. of Holes
302	55,6	12	11	72	114,3	5

FORD AUSTRALIA

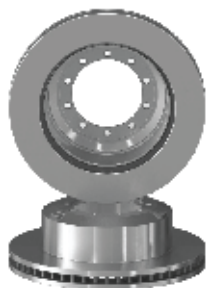
MODEL	START Y.	END Y.
ESCAPE (BA, ZA, ZB, ZC, ZD)	2001/03	



BRAKE DISC

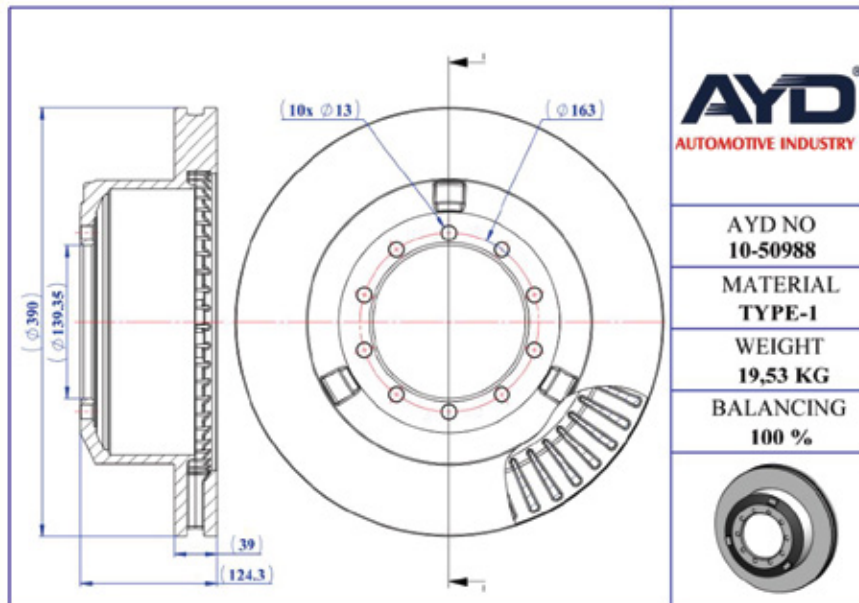
- Rear Axle
- Vented

- Safety
- Performance
- OEM Standarts
- AYD Quality



OE:
5C3Z2C026CA

10-50988



AYD
AUTOMOTIVE INDUSTRY

AYD NO
10-50988

MATERIAL
TYPE-1

WEIGHT
19,53 KG

BALANCING
100 %



Technical Specifications:

Diameter (mm)	Height (mm)	Brake Disc Thickness (mm)	Min. Thickness (mm)	Centering Diameter (mm)	Bolt Hole Circle (mm)	Num. of Holes
390	124,3	39	37,4	139,35	163	10

FORD USA

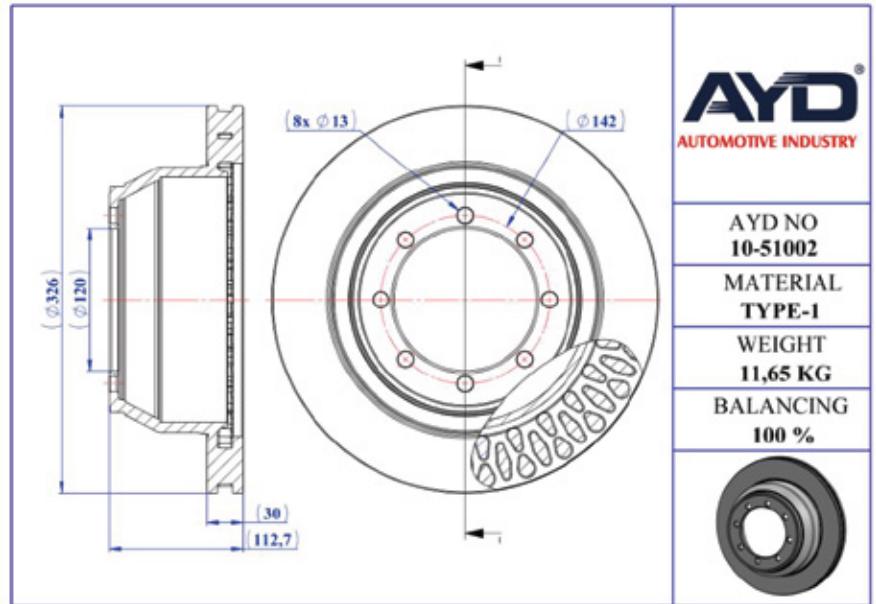
MODEL	START Y.	END Y.
F-450 SUPER DUTY	2007/06	
F-450 SUPER DUTY	1999/01	2007/12
F-450 SUPER DUTY Cab & Chassis	2008/09	2010/12
F-450 SUPER DUTY Crew Cab Pickup	2008/09	2010/12
F-450 SUPER DUTY Crew Cab Pickup	2003/09	2008/12
F-450 SUPER DUTY Platform/Chassis	1998/09	2007/12
F-550 SUPER DUTY Cab & Chassis	1998/09	2007/12



BRAKE DISC

- Rear Axle
- Vented

- Safety
- Performance
- OEM Standarts
- AYD Quality



OE:
F81Z2C026EA

10-51002

Technical Specifications:

Diameter (mm)	Height (mm)	Brake Disc Thickness (mm)	Min. Thickness (mm)	Centering Diameter (mm)	Bolt Hole Circle (mm)	Num. of Holes
326	112,7	30	28	120	142	8

FORD USA

MODEL	START Y.	END Y.
F-350	1996/10	2003/11



BRAKE DISC

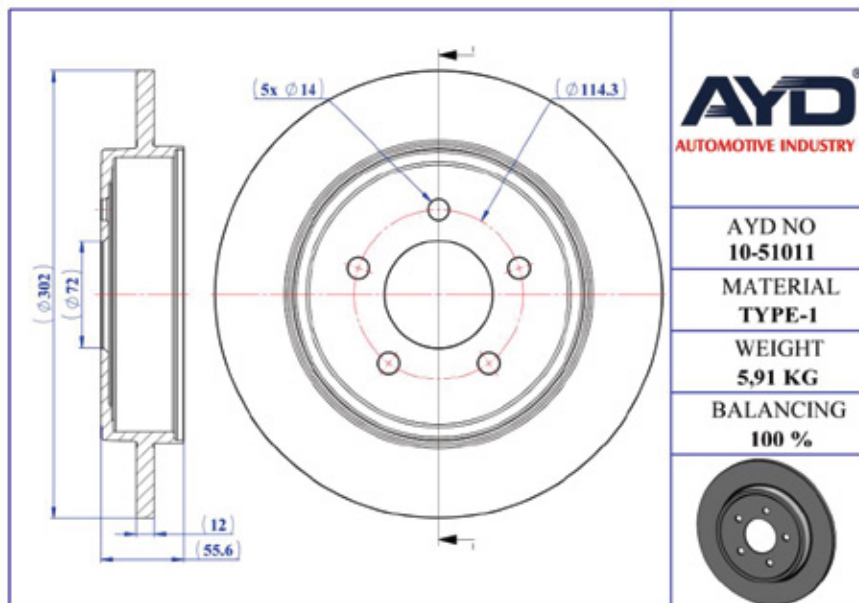
- Rear Axle
- Solid

- Safety
- Performance
- OEM Standarts
- AYD Quality



OE:
5L8Z2C026AA
5L8Z2C026BA

10-51011



AYD
AUTOMOTIVE INDUSTRY

AYD NO
10-51011

MATERIAL
TYPE-1

WEIGHT
5,91 KG

BALANCING
100 %



Technical Specifications:

Diameter (mm)	Height (mm)	Brake Disc Thickness (mm)	Min. Thickness (mm)	Centering Diameter (mm)	Bolt Hole Circle (mm)	Num. of Holes
302	55,6	12	11	72	114,3	5

FORD USA

MODEL	START Y.	END Y.
ESCAPE	2007/08	2012/12
ESCAPE	2001/01	2013/07



BRAKE DISC

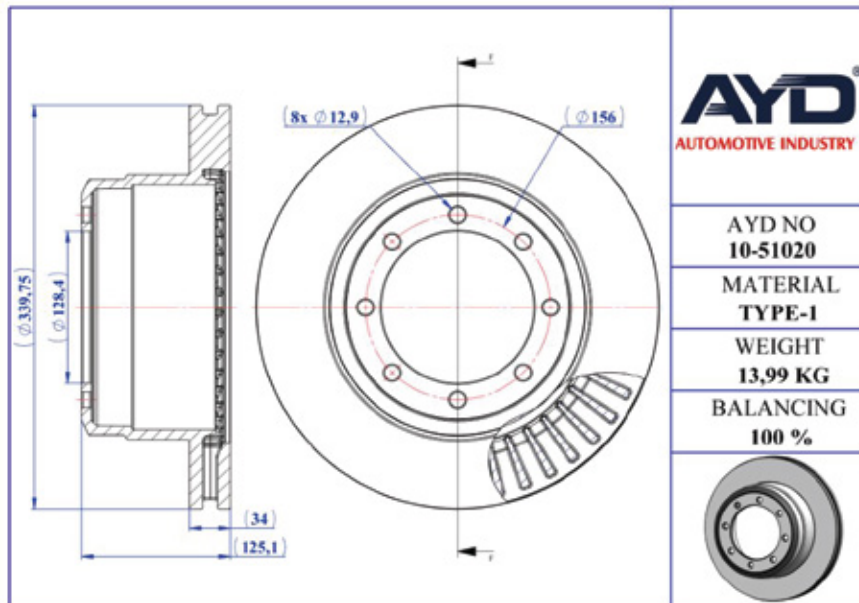
- Rear Axle
- Vented

- Safety
- Performance
- OEM Standarts
- AYD Quality



OE:
BC3Z2C026A

10-51020



AYD
AUTOMOTIVE INDUSTRY

AYD NO
10-51020

MATERIAL
TYPE-1

WEIGHT
13,99 KG

BALANCING
100 %



Technical Specifications:

Diameter (mm)	Height (mm)	Brake Disc Thickness (mm)	Min. Thickness (mm)	Centering Diameter (mm)	Bolt Hole Circle (mm)	Num. of Holes
339,75	125,1	34	32,4	128,4	156	8

FORD USA

MODEL	START Y.	END Y.
F-250 SUPER DUTY Crew Cab Pickup (W2A, W2B)	2010/09	
F-350 SUPER DUTY Extended Cab Pickup	2010/09	
F-450 SUPER DUTY Crew Cab Pickup	2010/09	
F-550 SUPER DUTY Cab & Chassis	2010/09	



BRAKE DISC

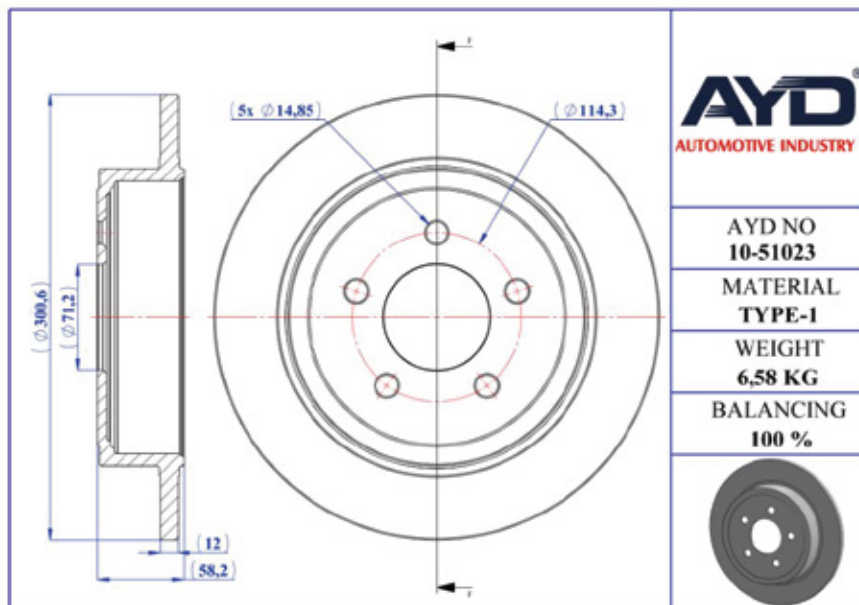
- Rear Axle
- Solid

- Safety
- Performance
- OEM Standarts
- AYD Quality



OE:
4U2Z1V125L

10-51023



Technical Specifications:

Diameter (mm)	Height (mm)	Brake Disc Thickness (mm)	Min. Thickness (mm)	Centering Diameter (mm)	Bolt Hole Circle (mm)	Num. of Holes
300,6	58,2	12	10,5	71,2	114,3	5

FORD USA

MODEL	START Y.	END Y.
EXPLORER SPORT TRAC Pickup	2000/09	2005/12



BRAKE DISC

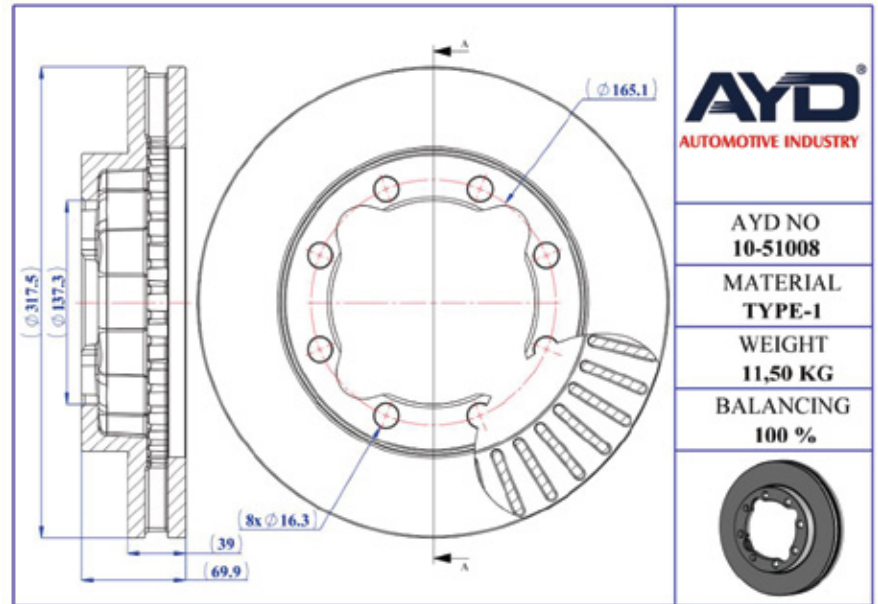
- Front Axle
- Vented

- Safety
- Performance
- OEM Standarts
- AYD Quality



OE:
52069879AA

10-51008



AYD
AUTOMOTIVE INDUSTRY

AYD NO
10-51008

MATERIAL
TYPE-1

WEIGHT
11,50 KG

BALANCING
100 %



Technical Specifications:

Diameter (mm)	Height (mm)	Brake Disc Thickness (mm)	Min. Thickness (mm)	Centering Diameter (mm)	Bolt Hole Circle (mm)	Num. of Holes
317,5	69,9	39	37,21	137,3	165,1	8

GMC

MODEL	START Y.	END Y.
K3500 Cab & Chassis	1987/09	2000/12

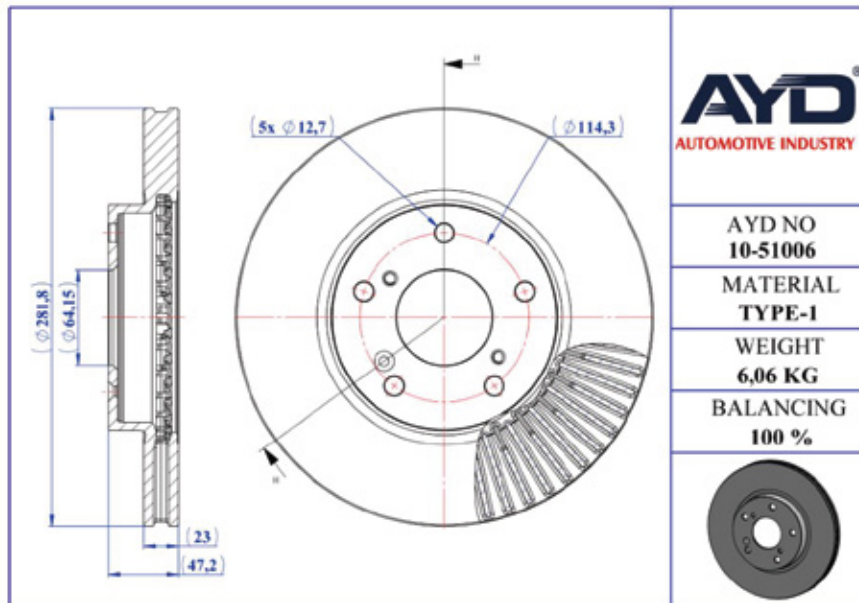


BRAKE DISC

- Front Axle
- Vented

- Safety
- Performance
- OEM Standarts
- AYD Quality

OE:
45251TBAA00
45251TBAA01
45251TEGA00



AYD
AUTOMOTIVE INDUSTRY

AYD NO
10-51006

MATERIAL
TYPE-1

WEIGHT
6,06 KG

BALANCING
100 %



10-51006

Technical Specifications:

Diameter (mm)	Height (mm)	Brake Disc Thickness (mm)	Min. Thickness (mm)	Centering Diameter (mm)	Bolt Hole Circle (mm)	Num. of Holes
281,8	47,2	23	21	64,15	114,3	5+4

HONDA

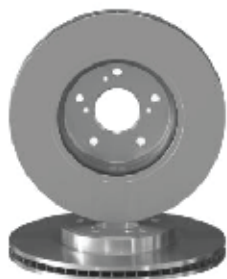
MODEL	START Y.	END Y.
CIVIC X Hatchback (FC_, FK_)	2016/09	
CIVIC X Saloon (FC_)	2015/09	



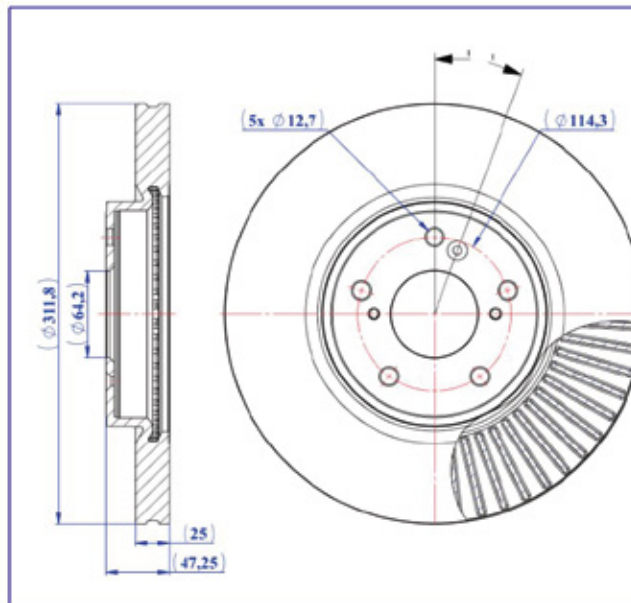
BRAKE DISC

- Front Axle
- Vented

- Safety
- Performance
- OEM Standards
- AYD Quality



OE:
45251T2FA82
45251TX4A50



AYD
AUTOMOTIVE INDUSTRY

AYD NO
10-51012

MATERIAL
TYPE-1

WEIGHT
8,47 KG

BALANCING
100 %



10-51012

Technical Specifications:

Diameter (mm)	Height (mm)	Brake Disc Thickness (mm)	Min. Thickness (mm)	Centering Diameter (mm)	Bolt Hole Circle (mm)	Num. of Holes
311,8	47,25	25	23	64,2	114,3	5+3

HONDA

MODEL	START Y.	END Y.
ACCORD X Saloon (CV)	2017/10	
CIVIC X Hatchback (FC_, FK_)	2016/09	
CIVIC X Saloon (FC_)	2015/09	



BRAKE DISC

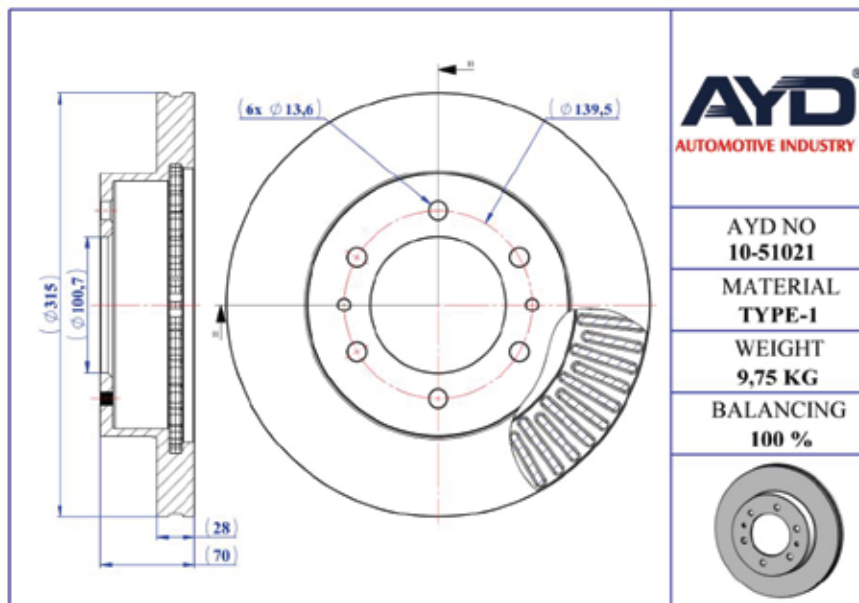
- Front Axle
- Vented

- Safety
- Performance
- OEM Standarts
- AYD Quality



OE:
15202106

10-51021



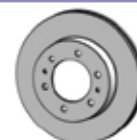
AYD
AUTOMOTIVE INDUSTRY

AYD NO
10-51021

MATERIAL
TYPE-1

WEIGHT
9,75 KG

BALANCING
100 %



Technical Specifications:

Diameter (mm)	Height (mm)	Brake Disc Thickness (mm)	Min. Thickness (mm)	Centering Diameter (mm)	Bolt Hole Circle (mm)	Num. of Holes
315	70	28	26,5	100,7	139,5	6+2

HUMMER

MODEL	START Y.	END Y.
HUMMER H3	2005/04	
HUMMER H3T	2008/10	



BRAKE DISC

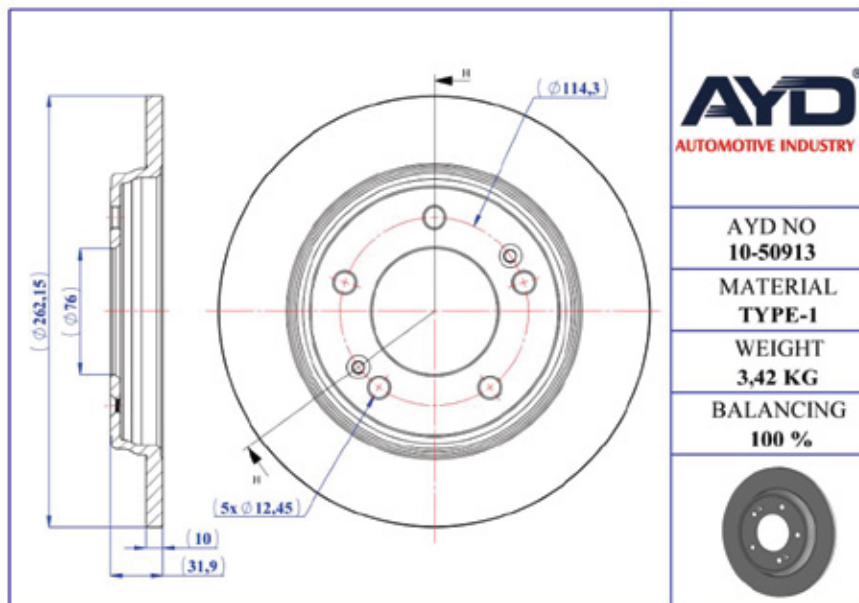
- Rear Axle
- Solid

- Safety
- Performance
- OEM Standards
- AYD Quality



OE:
58411G2300

10-50913



AYD
AUTOMOTIVE INDUSTRY

AYD NO
10-50913

MATERIAL
TYPE-1

WEIGHT
3,42 KG

BALANCING
100 %



Technical Specifications:

Diameter (mm)	Height (mm)	Brake Disc Thickness (mm)	Min. Thickness (mm)	Centering Diameter (mm)	Bolt Hole Circle (mm)	Num. of Holes
262,15	31,9	10	8,4	76	114,3	5+2

HYUNDAI

MODEL	START Y.	END Y.
CRETA (SU2_)	2020/03	
ELANTRA VI Saloon (AD, ADA)	2015/09	
ELANTRA VII Saloon (CN7)	2020/03	
i20 III (BC3, BI3)	2020/08	
IONIQ (AE)	2016/03	
VELOSTER (JS, JSN)	2018/01	

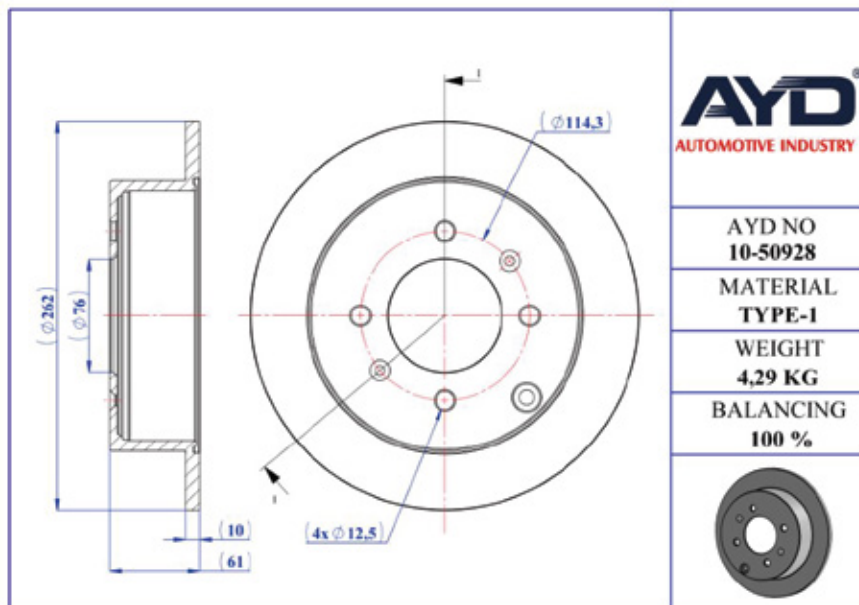


BRAKE DISC

- Rear Axle
- Solid

- Safety
- Performance
- OEM Standarts
- AYD Quality

OE:
5841138310
5841138300
584113C000



AYD
AUTOMOTIVE INDUSTRY

AYD NO
10-50928

MATERIAL
TYPE-1

WEIGHT
4,29 KG

BALANCING
100 %



10-50928

Technical Specifications:

Diameter (mm)	Height (mm)	Brake Disc Thickness (mm)	Min. Thickness (mm)	Centering Diameter (mm)	Bolt Hole Circle (mm)	Num. of Holes
262	61	10	8,4	76	114,3	4+3

HYUNDAI

MODEL	START Y.	END Y.
MATRIX (FC)	2001/06	2010/08
SONATA IV (EF)	1998/03	2005/12
SONATA V (NF)	2004/08	2014/11



BRAKE DISC

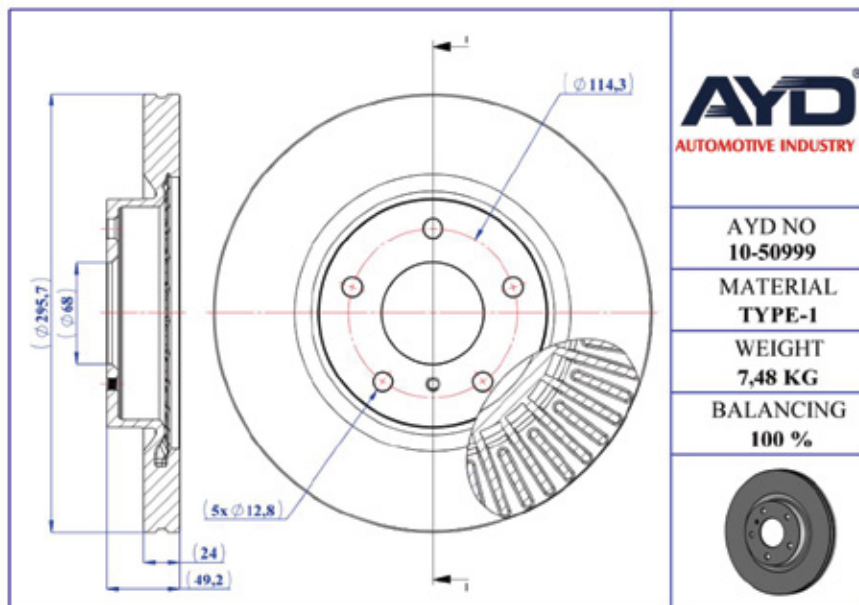
- Front Axle
- Vented

- Safety
- Performance
- OEM Standards
- AYD Quality



OE:
40206AM800

10-50999



AYD
AUTOMOTIVE INDUSTRY

AYD NO
10-50999

MATERIAL
TYPE-1

WEIGHT
7,48 KG

BALANCING
100 %



Technical Specifications:

Diameter (mm)	Height (mm)	Brake Disc Thickness (mm)	Min. Thickness (mm)	Centering Diameter (mm)	Bolt Hole Circle (mm)	Num. of Holes
295,7	49,2	24	22	68	114,3	5+1

INFINITI

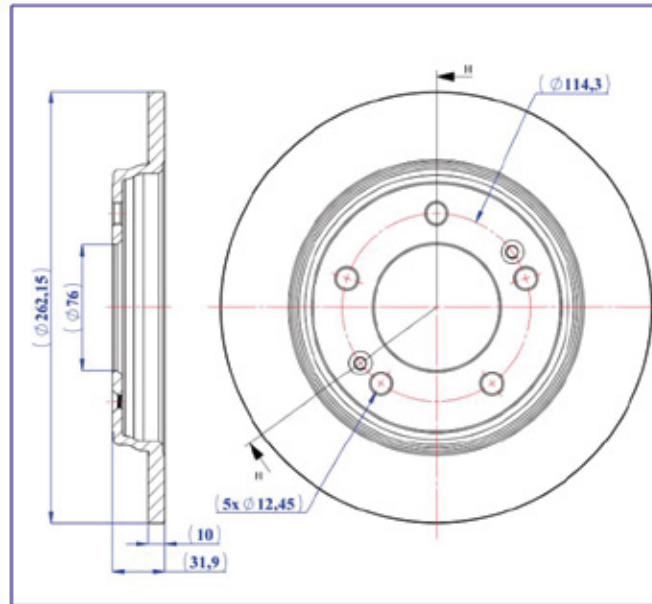
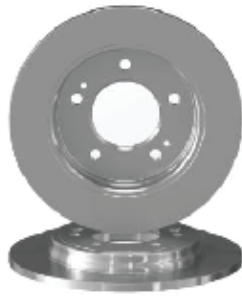
MODEL	START Y.	END Y.
G Coupe	2002/09	2007/12
G Saloon	2002/08	



BRAKE DISC

- Rear Axle
- Solid

- Safety
- Performance
- OEM Standards
- AYD Quality



AYD
AUTOMOTIVE INDUSTRY

AYD NO
10-50913

MATERIAL
TYPE-1

WEIGHT
3,42 KG

BALANCING
100 %



OE:
58411G2300

10-50913

Technical Specifications:

Diameter (mm)	Height (mm)	Brake Disc Thickness (mm)	Min. Thickness (mm)	Centering Diameter (mm)	Bolt Hole Circle (mm)	Num. of Holes
262,15	31,9	10	8,4	76	114,3	5+2

KIA

MODEL	START Y.	END Y.
CERATO IV Saloon (BD, BDM)	2018/02	
NIRO I (DE)	2016/09	2022/08
NIRO VAN (DE)	2016/09	

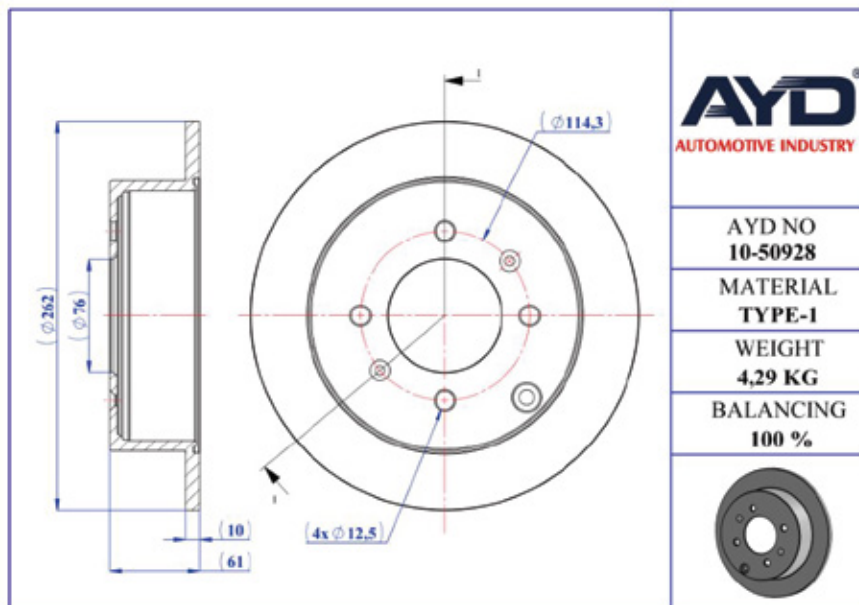


BRAKE DISC

- Rear Axle
- Solid

- Safety
- Performance
- OEM Standarts
- AYD Quality

OE:
584113C000
5841138310
5841138300



AYD
AUTOMOTIVE INDUSTRY

AYD NO
10-50928

MATERIAL
TYPE-1

WEIGHT
4,29 KG

BALANCING
100 %



10-50928

Technical Specifications:

Diameter (mm)	Height (mm)	Brake Disc Thickness (mm)	Min. Thickness (mm)	Centering Diameter (mm)	Bolt Hole Circle (mm)	Num. of Holes
262	61	10	8,4	76	114,3	4+3

KIA

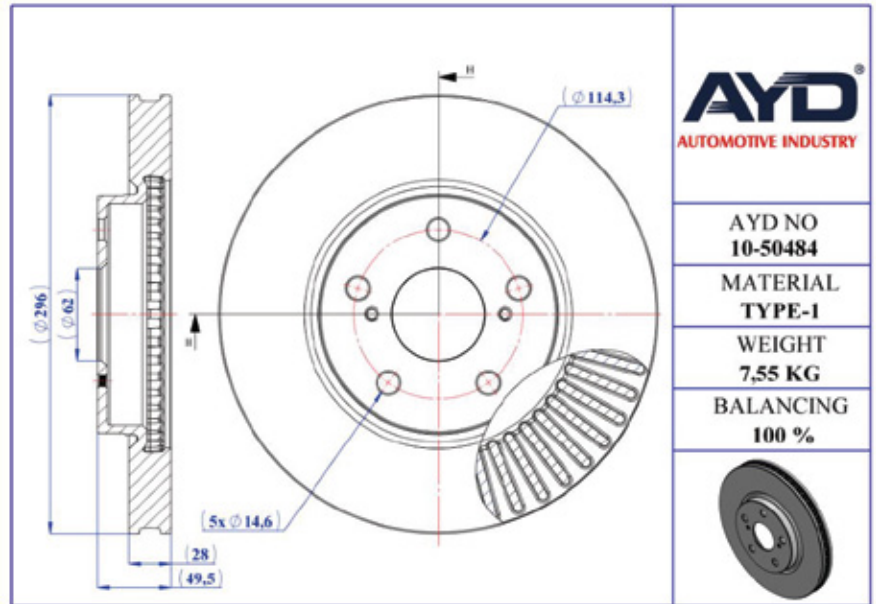
MODEL	START Y.	END Y.
MAGENTIS I (GD, MS)	2001/05	2007/04



BRAKE DISC

- Front Axle
- Vented

- Safety
- Performance
- OEM Standarts
- AYD Quality



OE:
4351230310

10-50484

Technical Specifications:

Diameter (mm)	Height (mm)	Brake Disc Thickness (mm)	Min. Thickness (mm)	Centering Diameter (mm)	Bolt Hole Circle (mm)	Num. of Holes
296	49,5	28	26	62	114,3	5+2

LEXUS

MODEL	START Y.	END Y.
IS C (GSE2_)	2009/04	
IS II (_E2_)	2005/08	2013/04
IS III (_E3_)	2013/04	



BRAKE DISC

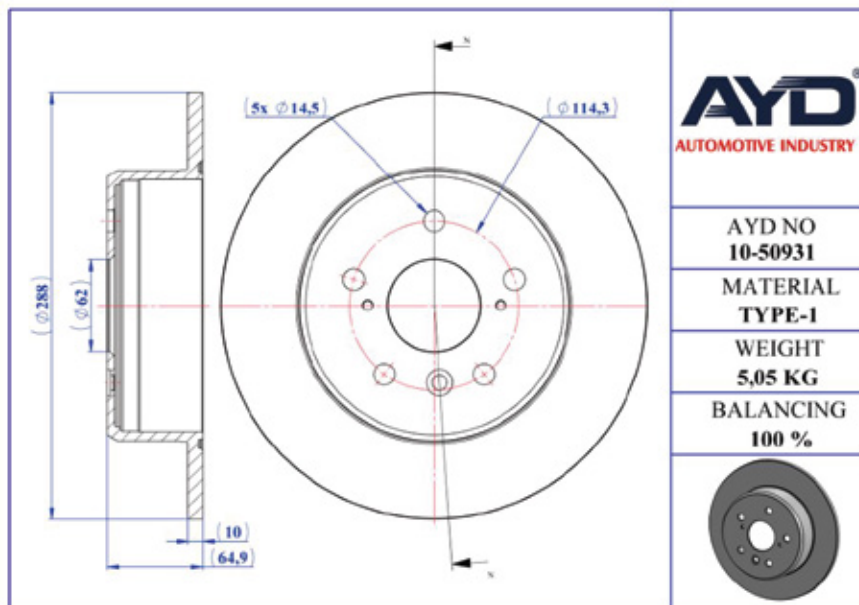
- Rear Axle
- Solid

- Safety
- Performance
- OEM Standarts
- AYD Quality



OE:
4243133030

10-50931



AYD
AUTOMOTIVE INDUSTRY

AYD NO
10-50931

MATERIAL
TYPE-1

WEIGHT
5,05 KG

BALANCING
100 %



Technical Specifications:

Diameter (mm)	Height (mm)	Brake Disc Thickness (mm)	Min. Thickness (mm)	Centering Diameter (mm)	Bolt Hole Circle (mm)	Num. of Holes
288	64,9	10	8,5	62	114,3	5+3

LEXUS

MODEL	START Y.	END Y.
ES (VCV10_, VZV21_)	1989/09	1997/12
RX (MCU15)	1998/01	2003/05

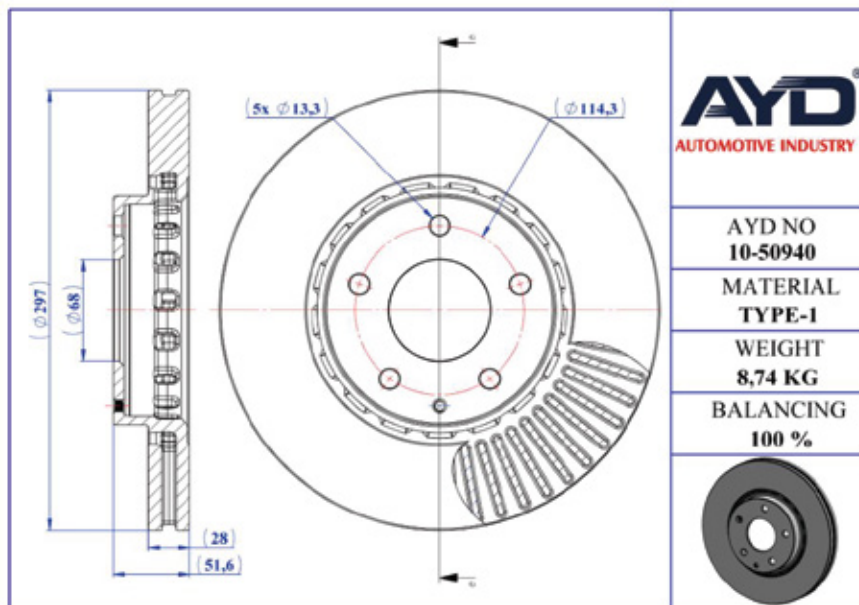


BRAKE DISC

- Front Axle
- Vented

- Safety
- Performance
- OEM Standards
- AYD Quality

OE:
KD4533251
GBFT33251A
GBFT33251



AYD
AUTOMOTIVE INDUSTRY

AYD NO
10-50940

MATERIAL
TYPE-1

WEIGHT
8,74 KG

BALANCING
100 %



10-50940

Technical Specifications:

Diameter (mm)	Height (mm)	Brake Disc Thickness (mm)	Min. Thickness (mm)	Centering Diameter (mm)	Bolt Hole Circle (mm)	Num. of Holes
297	51,6	28	26	68	114,3	5+1

MAZDA

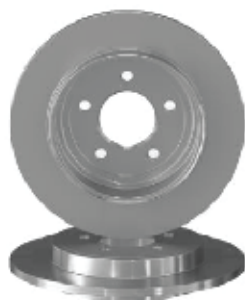
MODEL	START Y.	END Y.
6 Estate (GJ, GL)	2012/08	
6 Saloon (GJ, GL)	2012/12	
CX-5 (KE, GH)	2011/11	2017/02
CX-5 (KF)	2016/11	
CX-5 Van (KE_)	2011/11	2017/02



BRAKE DISC

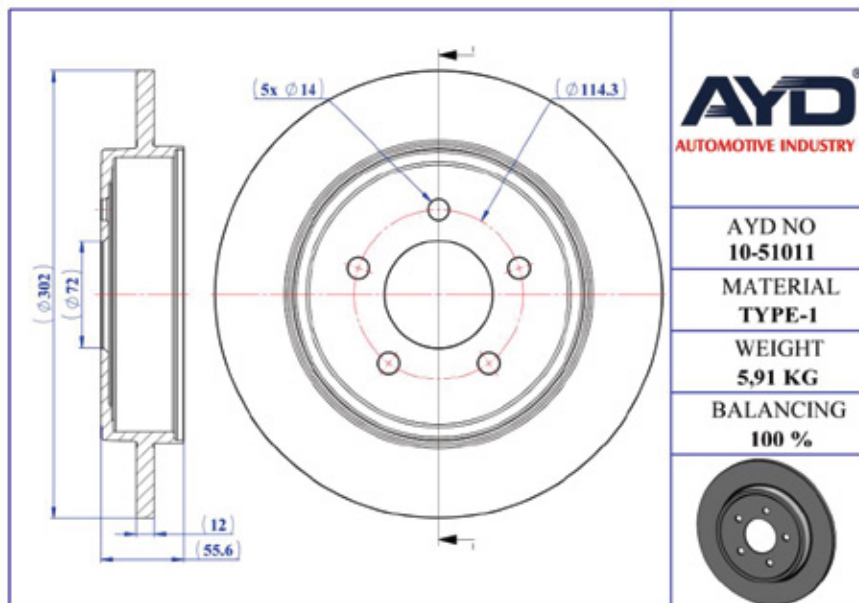
- Rear Axle
- Solid

- Safety
- Performance
- OEM Standarts
- AYD Quality



OE:
EF9126251A
EF9126251

10-51011



AYD
AUTOMOTIVE INDUSTRY

AYD NO
10-51011

MATERIAL
TYPE-1

WEIGHT
5,91 KG

BALANCING
100 %



Technical Specifications:

Diameter (mm)	Height (mm)	Brake Disc Thickness (mm)	Min. Thickness (mm)	Centering Diameter (mm)	Bolt Hole Circle (mm)	Num. of Holes
302	55,6	12	11	72	114,3	5

MAZDA

MODEL	START Y.	END Y.
TRIBUTE (EP)	2000/03	2008/05



BRAKE DISC

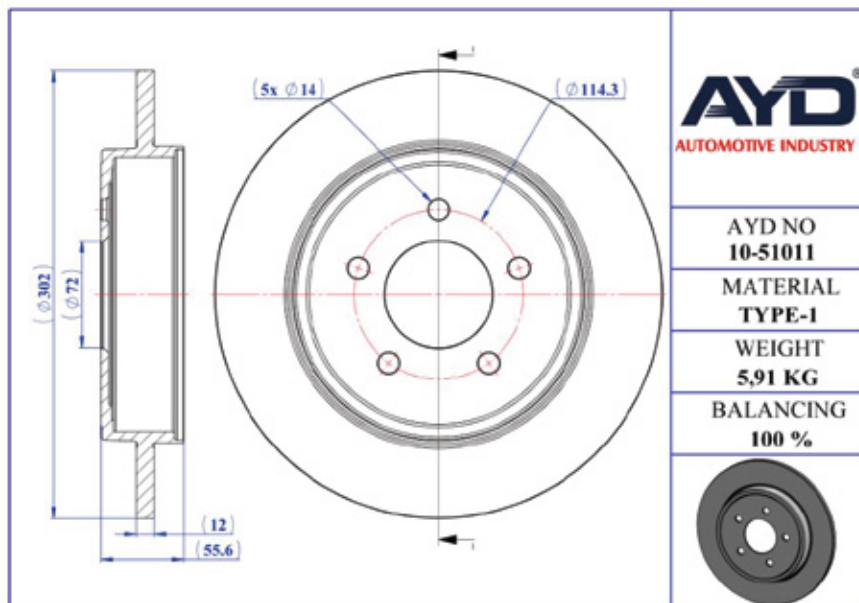
- Rear Axle
- Solid

- Safety
- Performance
- OEM Standarts
- AYD Quality



OE:
5L8Z2C026AA

10-51011



AYD
AUTOMOTIVE INDUSTRY

AYD NO
10-51011

MATERIAL
TYPE-1

WEIGHT
5,91 KG

BALANCING
100 %



Technical Specifications:

Diameter (mm)	Height (mm)	Brake Disc Thickness (mm)	Min. Thickness (mm)	Centering Diameter (mm)	Bolt Hole Circle (mm)	Num. of Holes
302	55,6	12	11	72	114,3	5

MERCURY

MODEL	START Y.	END Y.
MARINER	2007/09	2011/12

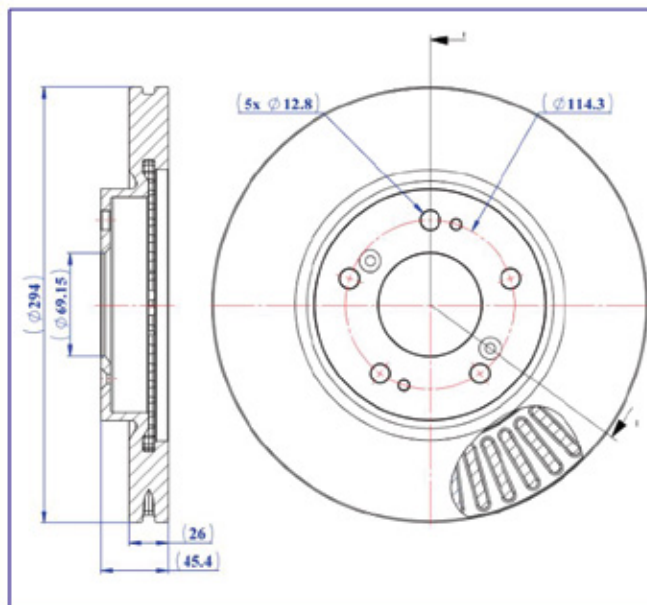
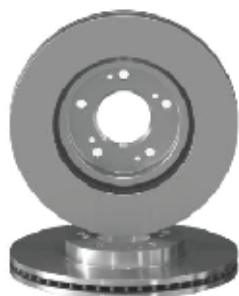


BRAKE DISC

- Front Axle
- Vented

- Safety
- Performance
- OEM Standards
- AYD Quality

OE:
4615A055
4615A068
MN102000



AYD
AUTOMOTIVE INDUSTRY

AYD NO
10-51010

MATERIAL
TYPE-1

WEIGHT
7,82 KG

BALANCING
100 %



10-51010

Technical Specifications:

Diameter (mm)	Height (mm)	Brake Disc Thickness (mm)	Min. Thickness (mm)	Centering Diameter (mm)	Bolt Hole Circle (mm)	Num. of Holes
294	45,4	26	24,4	69,15	114,3	5+4

MITSUBISHI

MODEL	START Y.	END Y.
ECLIPSE IV (DK_A)	2005/04	2012/12
ECLIPSE IV Convertible	2005/04	
GALANT IX Saloon (DJ_, ED_, EF_)	2003/10	

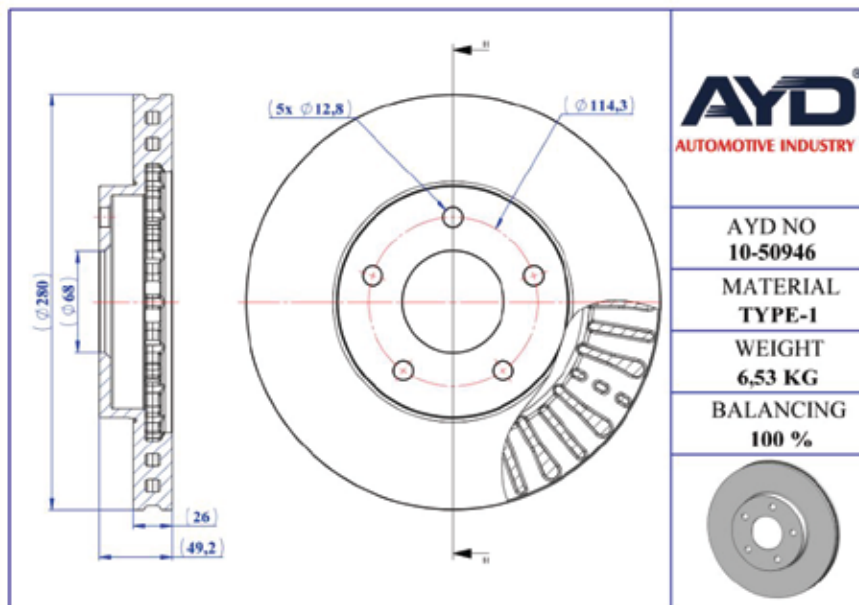


BRAKE DISC

- Front Axle
- Vented

- Safety
- Performance
- OEM Standarts
- AYD Quality

OE:
402062Y505
402062Y502
402062Y503



AYD
AUTOMOTIVE INDUSTRY

AYD NO
10-50946

MATERIAL
TYPE-1

WEIGHT
6,53 KG

BALANCING
100 %



10-50946

Technical Specifications:

Diameter (mm)	Height (mm)	Brake Disc Thickness (mm)	Min. Thickness (mm)	Centering Diameter (mm)	Bolt Hole Circle (mm)	Num. of Holes
280	49,2	26	24	68	114,3	5

NISSAN

MODEL	START Y.	END Y.
CEFIRO II Saloon (A32)	1994/08	1999/12
MAXIMA / MAXIMA QX IV (A32)	1994/03	2000/08
MAXIMA / MAXIMA QX IV Station Wagon (A32)	1997/10	2000/12
MAXIMA / MAXIMA QX V (A33)	1999/04	2003/11
SKYLINE (R34)	1998/01	2006/01
SKYLINE Coupe (R34)	1998/01	2008/02

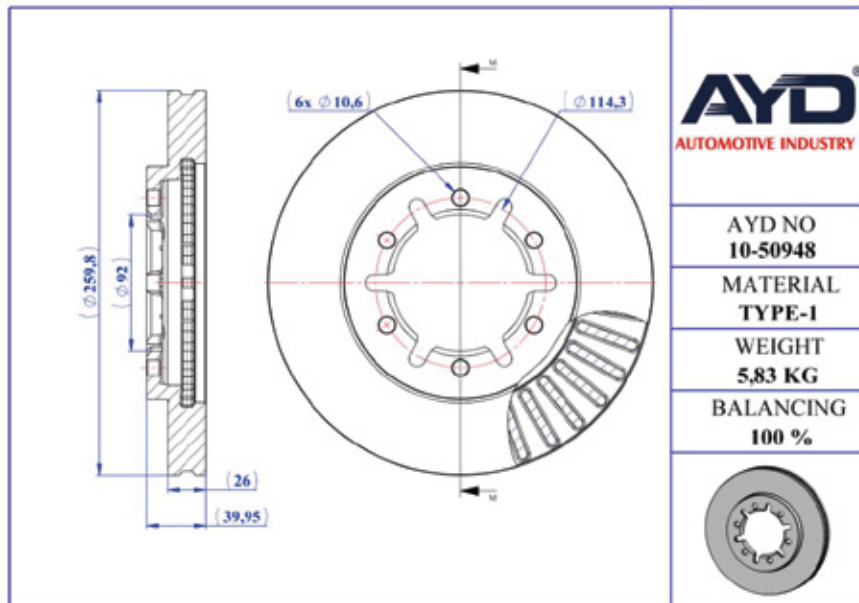


BRAKE DISC

- Front Axle
- Vented

- Safety
- Performance
- OEM Standarts
- AYD Quality

OE:
402062S401
402062S400
402069Z000



AYD
AUTOMOTIVE INDUSTRY

AYD NO
10-50948

MATERIAL
TYPE-1

WEIGHT
5,83 KG

BALANCING
100 %



10-50948

Technical Specifications:

Diameter (mm)	Height (mm)	Brake Disc Thickness (mm)	Min. Thickness (mm)	Centering Diameter (mm)	Bolt Hole Circle (mm)	Num. of Holes
259,8	39,95	26	24	92	114,3	6

NISSAN

MODEL	START Y.	END Y.
NAVARA (D22)	1997/01	
NAVARA Platform/Chassis (D22)	1997/03	
NP300 PICKUP (D22)	2008/04	
PICK UP (D22)	1997/01	

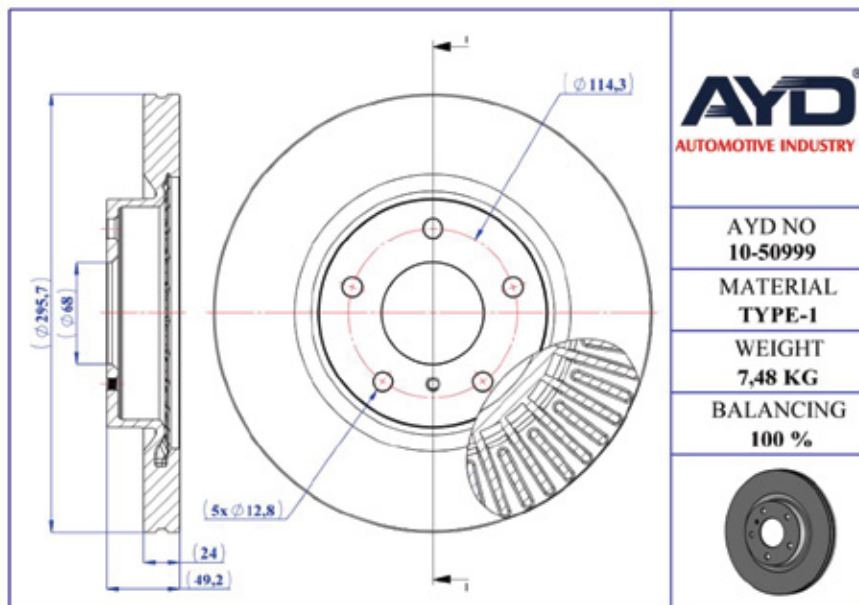
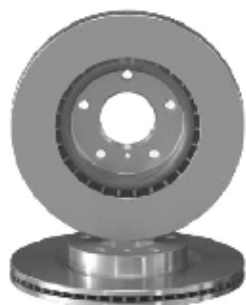


BRAKE DISC

- Front Axle
- Vented

- Safety
- Performance
- OEM Standarts
- AYD Quality

OE:
40206AM800
402069J400
40206JN01A



AYD
AUTOMOTIVE INDUSTRY

AYD NO
10-50999

MATERIAL
TYPE-1

WEIGHT
7,48 KG

BALANCING
100 %



10-50999

Technical Specifications:

Diameter (mm)	Height (mm)	Brake Disc Thickness (mm)	Min. Thickness (mm)	Centering Diameter (mm)	Bolt Hole Circle (mm)	Num. of Holes
295,7	49,2	24	22	68	114,3	5+1

NISSAN

MODEL	START Y.	END Y.
350Z Coupe (Z33)	2002/09	2009/12
350Z Roadster (Z33)	2002/09	2009/12
SKYLINE (V35)	2000/08	2007/12
SKYLINE Coupe (V35)	2001/01	2007/12
TEANA II (J32)	2007/01	

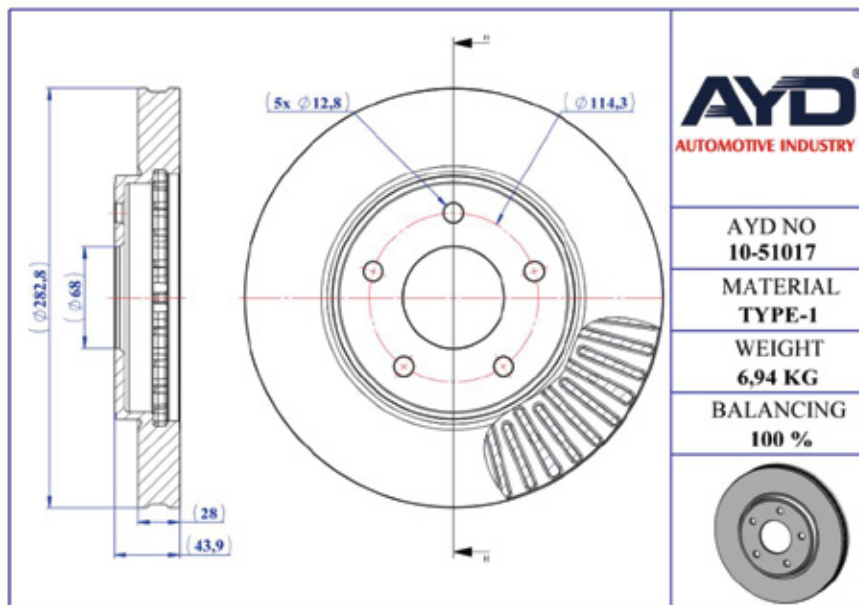
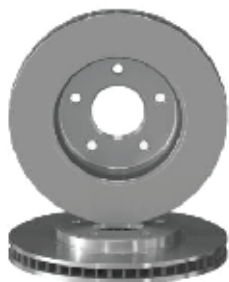


BRAKE DISC

- Front Axle
- Vented

- Safety
- Performance
- OEM Standarts
- AYD Quality

OE:
402063LM0A
402063NA0A
402063NL0A



AYD
AUTOMOTIVE INDUSTRY

AYD NO
10-51017

MATERIAL
TYPE-1

WEIGHT
6,94 KG

BALANCING
100 %



10-51017

Technical Specifications:

Diameter (mm)	Height (mm)	Brake Disc Thickness (mm)	Min. Thickness (mm)	Centering Diameter (mm)	Bolt Hole Circle (mm)	Num. of Holes
282,8	43,9	28	26	68	114,3	5

NISSAN

MODEL	START Y.	END Y.
LEAF (ZE0)	2010/11	
LEAF (ZE1)	2017/08	
NV200 / EVALIA Bus	2010/07	
NV200 Van	2010/02	
SERENA (C26)	2010/11	2016/07



BRAKE DISC

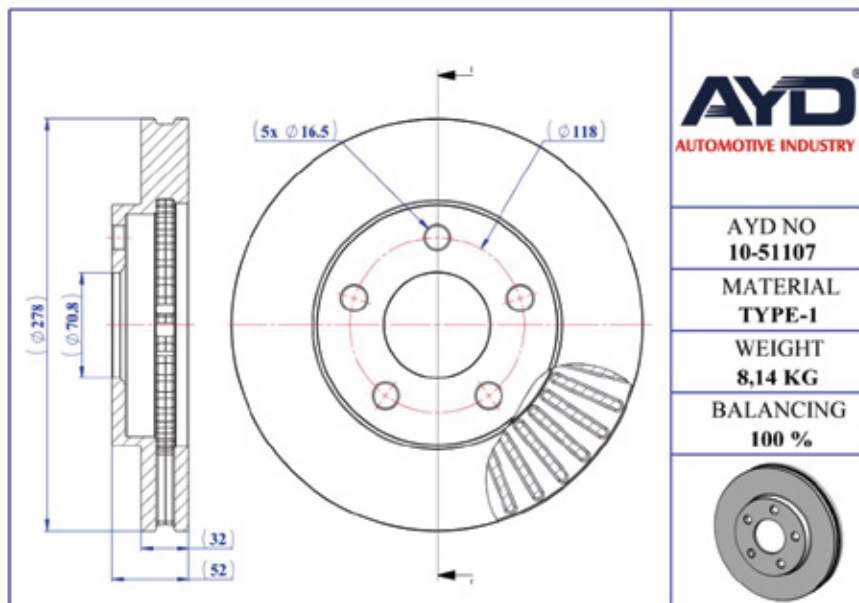
- Front Axle
- Vented

- Safety
- Performance
- OEM Standarts
- AYD Quality



OE:
18018860

10-51107



AYD
AUTOMOTIVE INDUSTRY

AYD NO
10-51107

MATERIAL
TYPE-1

WEIGHT
8,14 KG

BALANCING
100 %



Technical Specifications:

Diameter (mm)	Height (mm)	Brake Disc Thickness (mm)	Min. Thickness (mm)	Centering Diameter (mm)	Bolt Hole Circle (mm)	Num. of Holes
278	52	32	30,7	70,8	118	5

OLDSMOBILE

MODEL	START Y.	END Y.
AURORA Saloon	1994/09	1999/12
NINETY-EIGHT Saloon	1990/09	1996/12



BRAKE DISC

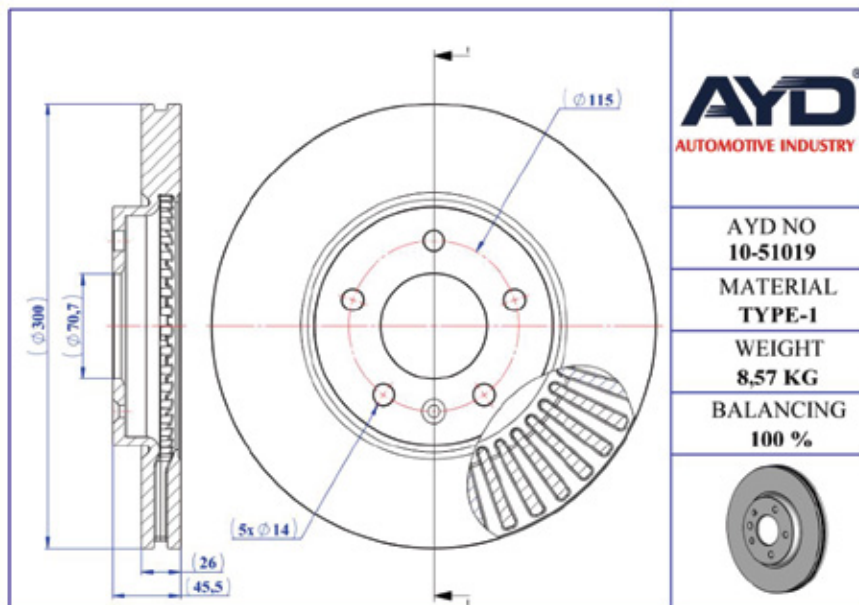
- Front Axle
- Vented

- Safety
- Performance
- OEM Standards
- AYD Quality



OE:
13502057

10-51019



AYD
AUTOMOTIVE INDUSTRY

AYD NO
10-51019

MATERIAL
TYPE-1

WEIGHT
8,57 KG

BALANCING
100 %



Technical Specifications:

Diameter (mm)	Height (mm)	Brake Disc Thickness (mm)	Min. Thickness (mm)	Centering Diameter (mm)	Bolt Hole Circle (mm)	Num. of Holes
300	45,5	26	23	70,7	115	5+1

OPEL

MODEL	START Y.	END Y.
AMPERA (R12)	2011/11	2015/03
ASTRA J (P10)	2009/09	2015/10
ASTRA J GTC	2011/10	
ASTRA J Saloon	2012/06	
ASTRA J Sports Tourer (P10)	2010/10	2015/10
ZAFIRA TOURER C (P12)	2011/10	



BRAKE DISC

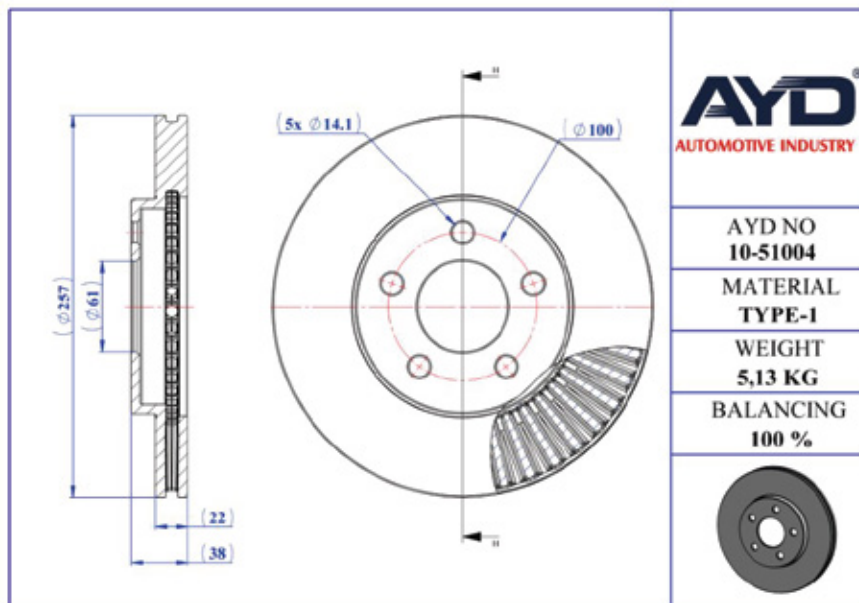
- Front Axle
- Vented

- Safety
- Performance
- OEM Standards
- AYD Quality



OE:
5273038AA

10-51004



AYD
AUTOMOTIVE INDUSTRY

AYD NO
10-51004

MATERIAL
TYPE-1

WEIGHT
5,13 KG

BALANCING
100 %



Technical Specifications:

Diameter (mm)	Height (mm)	Brake Disc Thickness (mm)	Min. Thickness (mm)	Centering Diameter (mm)	Bolt Hole Circle (mm)	Num. of Holes
257	38	22	20,4	61	100	5

PLYMOUTH

MODEL	START Y.	END Y.
NEON Coupe	1994/10	1999/09
NEON II Saloon	1999/08	
NEON Saloon	1994/05	1999/08



BRAKE DISC

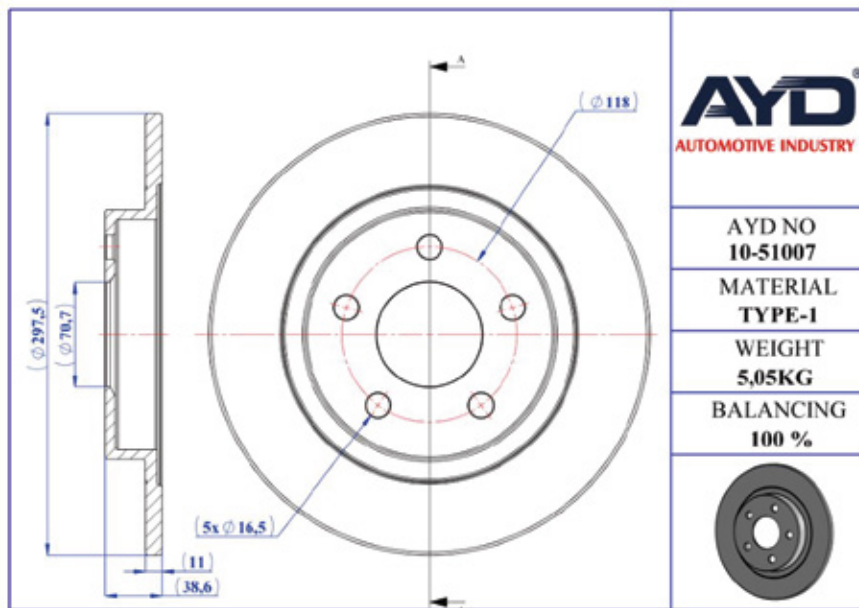
- Rear Axle
- Solid

- Safety
- Performance
- OEM Standarts
- AYD Quality



OE:
18023592

10-51007



AYD
AUTOMOTIVE INDUSTRY

AYD NO
10-51007

MATERIAL
TYPE-1

WEIGHT
5,05KG

BALANCING
100 %



Technical Specifications:

Diameter (mm)	Height (mm)	Brake Disc Thickness (mm)	Min. Thickness (mm)	Centering Diameter (mm)	Bolt Hole Circle (mm)	Num. of Holes
297,5	38,6	11	9	70,7	118	5

PONTIAC

MODEL	START Y.	END Y.
BONNEVILLE Saloon	1999/09	2005/12



BRAKE DISC

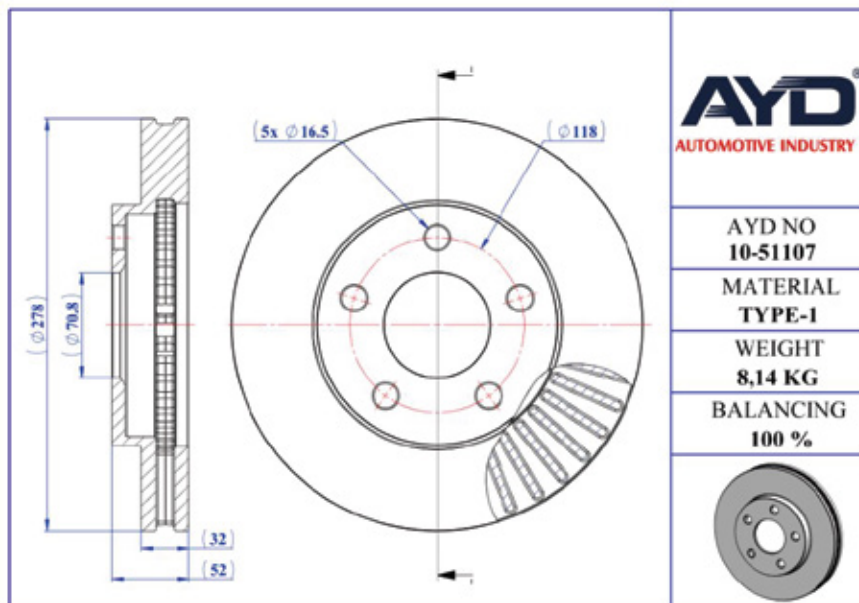
- Front Axle
- Vented

- Safety
- Performance
- OEM Standarts
- AYD Quality



OE:
18018860

10-51107



AYD
AUTOMOTIVE INDUSTRY

AYD NO
10-51107

MATERIAL
TYPE-1

WEIGHT
8,14 KG

BALANCING
100 %



Technical Specifications:

Diameter (mm)	Height (mm)	Brake Disc Thickness (mm)	Min. Thickness (mm)	Centering Diameter (mm)	Bolt Hole Circle (mm)	Num. of Holes
278	52	32	30,7	70,8	118	5

PONTIAC

MODEL	START Y.	END Y.
BONNEVILLE Saloon	1991/09	1999/12
FIREBIRD (FS87)	1992/10	2002/12
FIREBIRD Convertible (FS67)	1993/01	2002/12
TRANS SPORT VAN (UM05)	1989/07	1997/12



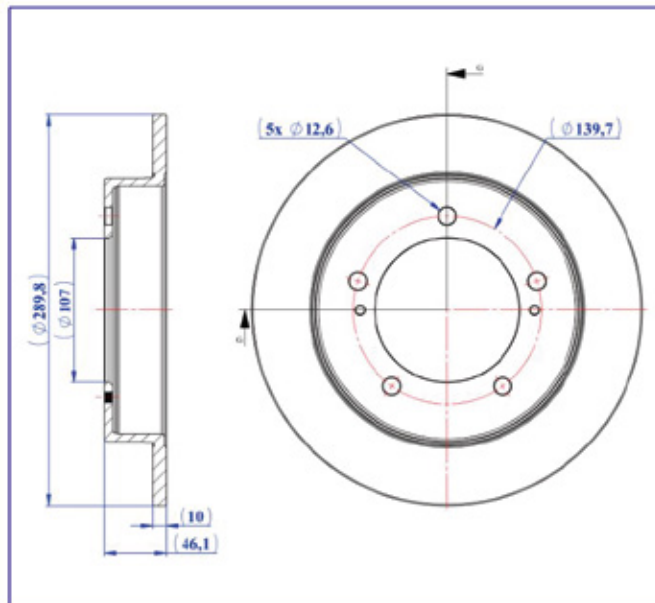
BRAKE DISC

- Front Axle
- Solid

- Safety
- Performance
- OEM Standards
- AYD Quality



OE:
5521160A01
5521160A01000
5521176J00



AYD
AUTOMOTIVE INDUSTRY

AYD NO
10-50921

MATERIAL
TYPE-1

WEIGHT
4,45 KG

BALANCING
100 %



10-50921

Technical Specifications:

Diameter (mm)	Height (mm)	Brake Disc Thickness (mm)	Min. Thickness (mm)	Centering Diameter (mm)	Bolt Hole Circle (mm)	Num. of Holes
289,8	46,1	10	8	107	139,7	5+2

SUZUKI

MODEL	START Y.	END Y.
JIMNY Closed Off-Road Vehicle (A6G)	2018/07	
JIMNY Closed Off-Road Vehicle (SN)	1998/07	
JIMNY Open Off-Road Vehicle (SN)	1998/01	
SAMURAI Closed Off-Road Vehicle (SJ_)	1984/09	2004/12
VITARA (ET, TA, TD)	1988/07	2002/12
VITARA Cabrio (ET, TA)	1988/07	2002/10
X-90 (EL)	1995/09	1997/12

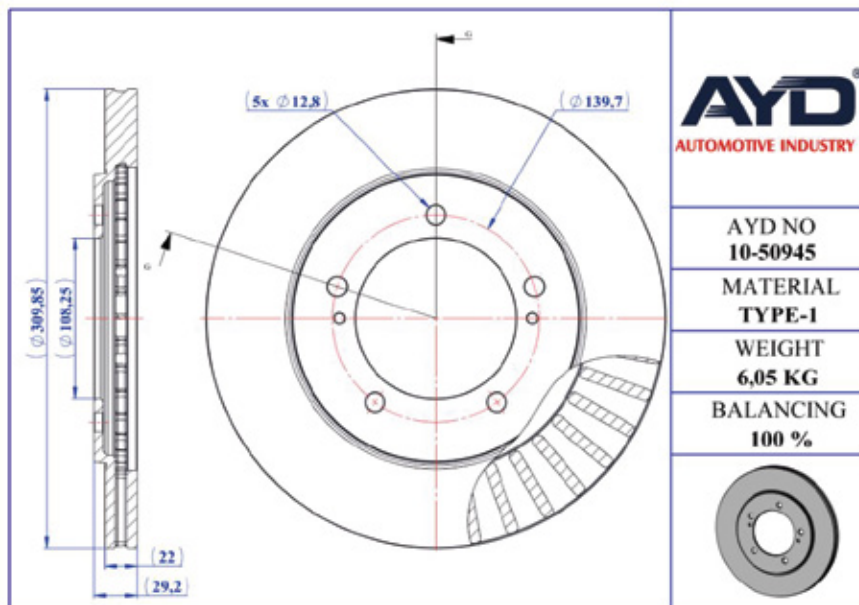
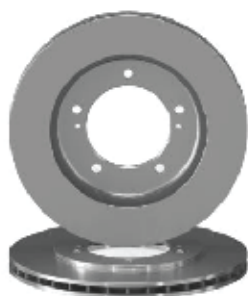


BRAKE DISC

- Front Axle
- Vented

- Safety
- Performance
- OEM Standarts
- AYD Quality

OE:
5521165D14
5521165D13
5521165D12



AYD
AUTOMOTIVE INDUSTRY

AYD NO
10-50945

MATERIAL
TYPE-1

WEIGHT
6,05 KG

BALANCING
100 %



10-50945

Technical Specifications:

Diameter (mm)	Height (mm)	Brake Disc Thickness (mm)	Min. Thickness (mm)	Centering Diameter (mm)	Bolt Hole Circle (mm)	Num. of Holes
309,85	29,2	22	20	108,25	139,7	5+2

SUZUKI

MODEL	START Y.	END Y.
GRAND VITARA I (FT, HT)	1998/03	2008/08
GRAND VITARA I Open Off-Road Vehicle (GT)	1998/03	2005/09
GRAND VITARA II (JT, TE, TD)	2005/04	
VITARA (ET, TA, TD)	1988/07	2002/12
VITARA Cabrio (ET, TA)	1988/07	2002/10



BRAKE DISC

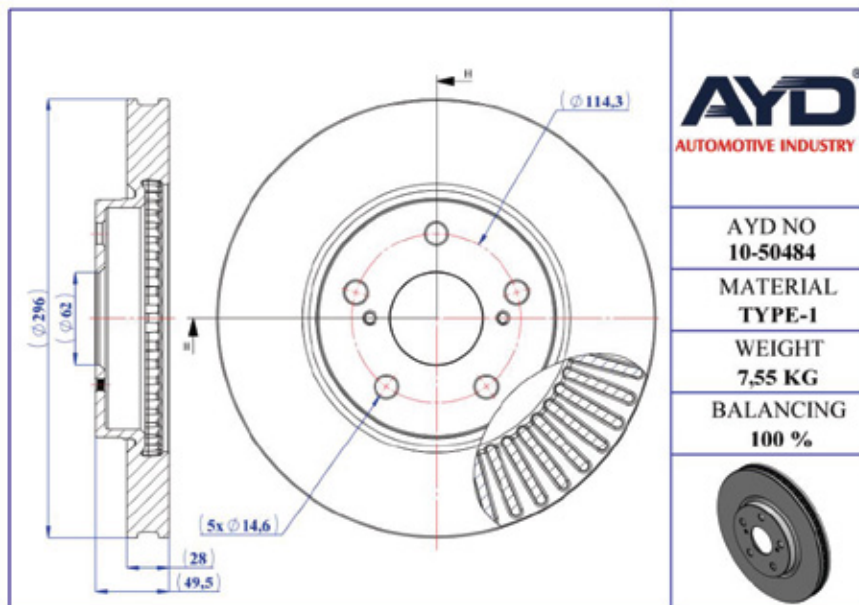
- Front Axle
- Vented

- Safety
- Performance
- OEM Standards
- AYD Quality



OE:
4351230310

10-50484



AYD
AUTOMOTIVE INDUSTRY

AYD NO
10-50484

MATERIAL
TYPE-1

WEIGHT
7,55 KG

BALANCING
100 %



Technical Specifications:

Diameter (mm)	Height (mm)	Brake Disc Thickness (mm)	Min. Thickness (mm)	Centering Diameter (mm)	Bolt Hole Circle (mm)	Num. of Holes
296	49,5	28	26	62	114,3	5+2

TOYOTA

MODEL	START Y.	END Y.
CROWN (CRS_, JZS_, GRS18_, UZS_)	2003/09	2008/12
MARK X I (GRX12_)	2004/03	2009/09
MARK X II (GRX13_)	2009/10	



BRAKE DISC

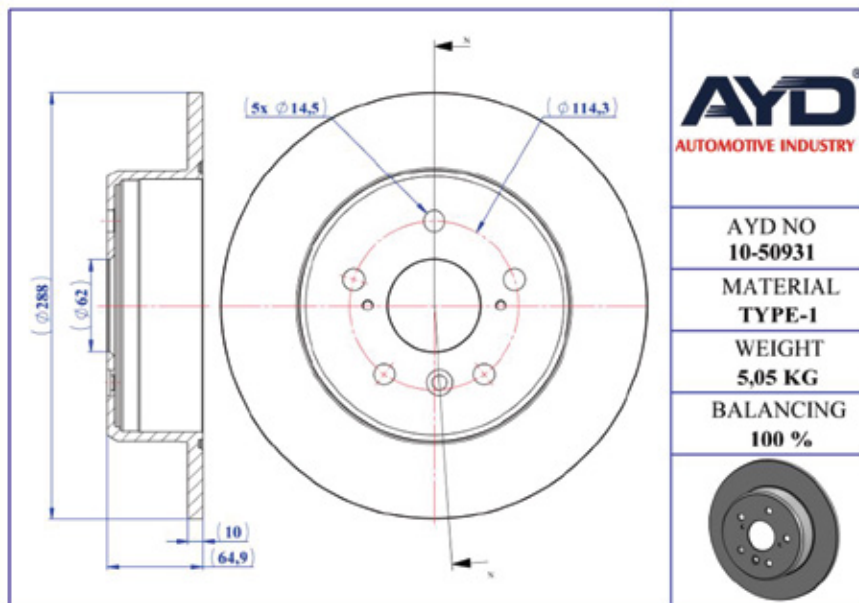
- Rear Axle
- Solid

- Safety
- Performance
- OEM Standards
- AYD Quality



OE:
4243133030

10-50931



Technical Specifications:

Diameter (mm)	Height (mm)	Brake Disc Thickness (mm)	Min. Thickness (mm)	Centering Diameter (mm)	Bolt Hole Circle (mm)	Num. of Holes
288	64,9	10	8,5	62	114,3	5+3

TOYOTA

MODEL	START Y.	END Y.
CAMRY (_V1_)	1990/07	2001/10
CAMRY Estate (_V1_)	1991/06	1997/08
CAMRY Saloon (_V3_)	2001/08	2006/11



BRAKE DISC

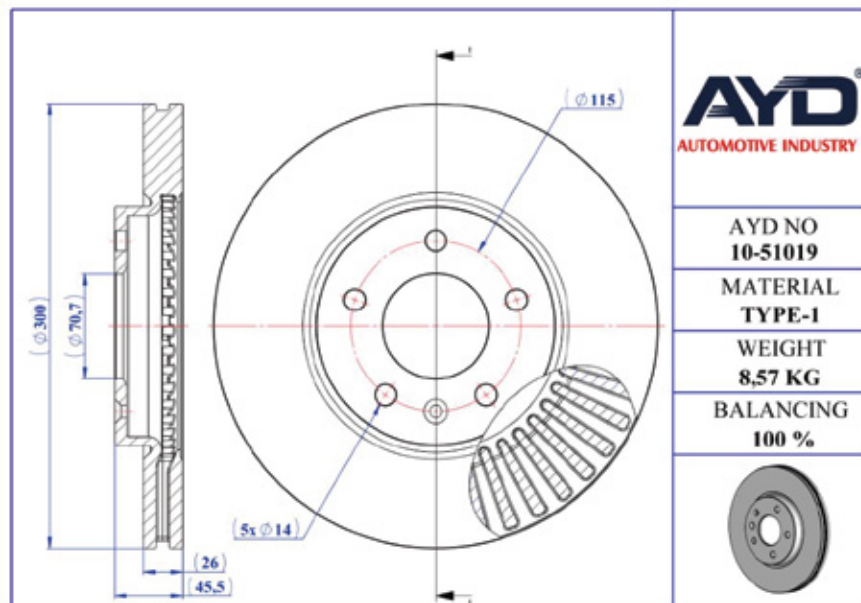
- Front Axle
- Vented

- Safety
- Performance
- OEM Standards
- AYD Quality



OE:
13502057

10-51019



AYD
AUTOMOTIVE INDUSTRY

AYD NO
10-51019

MATERIAL
TYPE-1

WEIGHT
8,57 KG

BALANCING
100 %



Technical Specifications:

Diameter (mm)	Height (mm)	Brake Disc Thickness (mm)	Min. Thickness (mm)	Centering Diameter (mm)	Bolt Hole Circle (mm)	Num. of Holes
300	45,5	26	23	70,7	115	5+1

VAUXHALL

MODEL	START Y.	END Y.
AMPERA (R12)	2012/03	
ASTRA Mk VI (J) (P10)	2009/12	2015/10
ASTRA Mk VI (J) Estate (P10)	2010/10	2015/10
ASTRA Mk VI (J) Saloon (P10)	2012/06	2015/10
ZAFIRA Mk II (B) (A05)	2005/04	2014/11
ZAFIRA Mk III (P12)	2011/10	2018/08

