

**new to range**

SPEED TO MARKET SECOND TO NONE

**AYD**<sup>®</sup>  
AUTOMOTIVE INDUSTRY



**BRAKING**

**THE DIFFERENCE**

**SAFETY**

**PERFORMANCE**

**OEM Standards**

**AYD QUALITY**

[www.aydtr.com](http://www.aydtr.com)



**AUGUST 2023**

## INDEX BRAKE DISC

<b>BUICK</b> .....	<b>3</b>
<b>CADILLAC</b> .....	<b>4-7</b>
<b>CHEVROLET</b> .....	<b>8-10</b>
<b>CHRYSLER</b> .....	<b>11-12</b>
<b>CITROEN</b> .....	<b>13-14</b>
<b>DODGE</b> .....	<b>15-17</b>
<b>FIAT</b> .....	<b>18</b>
<b>FORD</b> .....	<b>19</b>
<b>FORD USA</b> .....	<b>20-22</b>
<b>HAWTAI</b> .....	<b>23</b>
<b>HONDA</b> .....	<b>24-25</b>
<b>HYUNDAI</b> .....	<b>26-27</b>
<b>JEEP</b> .....	<b>28-29</b>
<b>KIA</b> .....	<b>30-31</b>
<b>LADA</b> .....	<b>32-33</b>
<b>LANCIA</b> .....	<b>34</b>
<b>LEXUS</b> .....	<b>35</b>
<b>LINCOLN</b> .....	<b>36-37</b>
<b>MAZDA</b> .....	<b>38</b>
<b>MERCEDES BENZ</b> .....	<b>39</b>
<b>MITSUBISHI</b> .....	<b>40</b>
<b>NISSAN</b> .....	<b>41-42</b>
<b>OPEL</b> .....	<b>43-44</b>
<b>PEUGEOT</b> .....	<b>45-46</b>
<b>RAM</b> .....	<b>47</b>
<b>SATURN</b> .....	<b>48</b>
<b>SCION</b> .....	<b>49</b>
<b>TOYOTA</b> .....	<b>50-51</b>
<b>VAUXHALL</b> .....	<b>52-53</b>

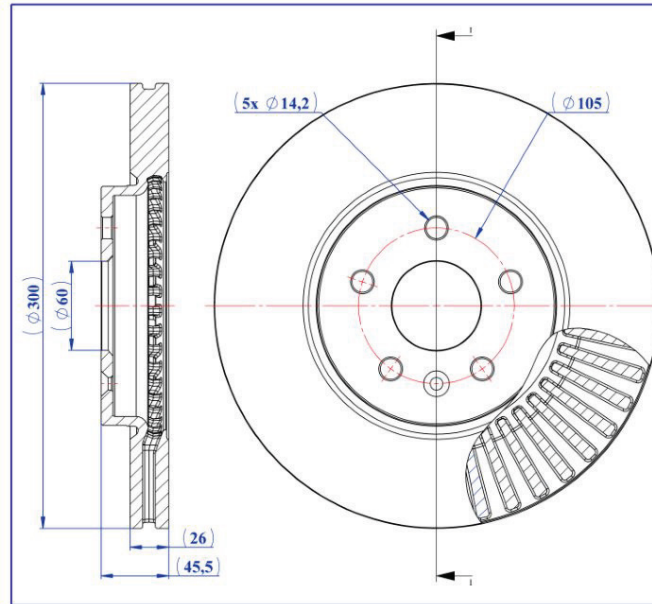
## BRAKE DISC

- Front Axle
- Vented

- Safety
- Performance
- OEM Standarts
- AYD Quality

OE:  
13502060

**10-50995**



**AYD**<sup>®</sup>  
AUTOMOTIVE INDUSTRY

AYD NO  
**10-50995**

MATERIAL  
**TYPE-1**

WEIGHT  
**8,55 KG**

BALANCING  
**100 %**



### Technical Specifications:

Diameter (mm)	Height (mm)	Brake Disc Thickness (mm)	Min. Thickness (mm)	Centering Diameter (mm)	Bolt Hole Circle (mm)	Num. of Holes
300	45,5	26	23	60	105	5+1

## BUICK

MODEL	START Y.	END Y.
ENCORE SUV	2012/09	





## BRAKE DISC

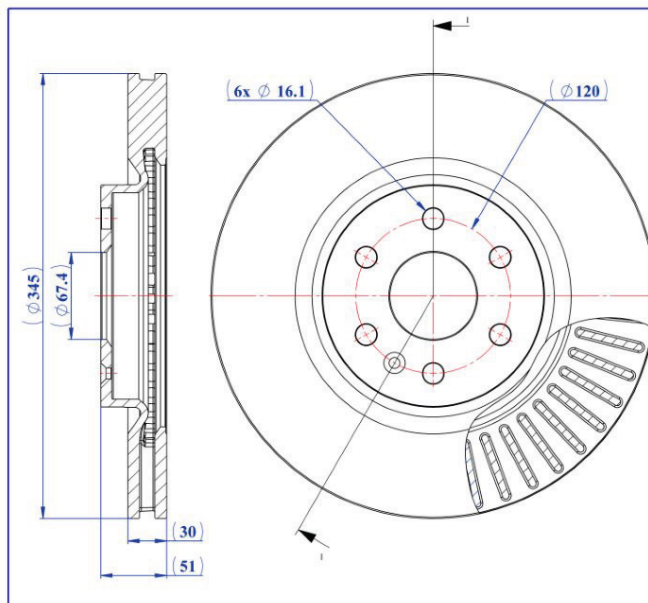
- Front Axle
- Vented

- Safety
- Performance
- OEM Standarts
- AYD Quality



OE:  
13501318

**10-50975**



**AYD**<sup>®</sup>  
AUTOMOTIVE INDUSTRY

AYD NO  
**10-50975**

MATERIAL  
**TYPE-1**

WEIGHT  
**11,24 KG**

BALANCING  
**100 %**



### Technical Specifications:

Diameter (mm)	Height (mm)	Brake Disc Thickness (mm)	Min. Thickness (mm)	Centering Diameter (mm)	Bolt Hole Circle (mm)	Num. of Holes
345	51	30	27	67,4	120	6+1

## CADILLAC

MODEL	START Y.	END Y.
SRX	2009/01	2016/12



## BRAKE DISC

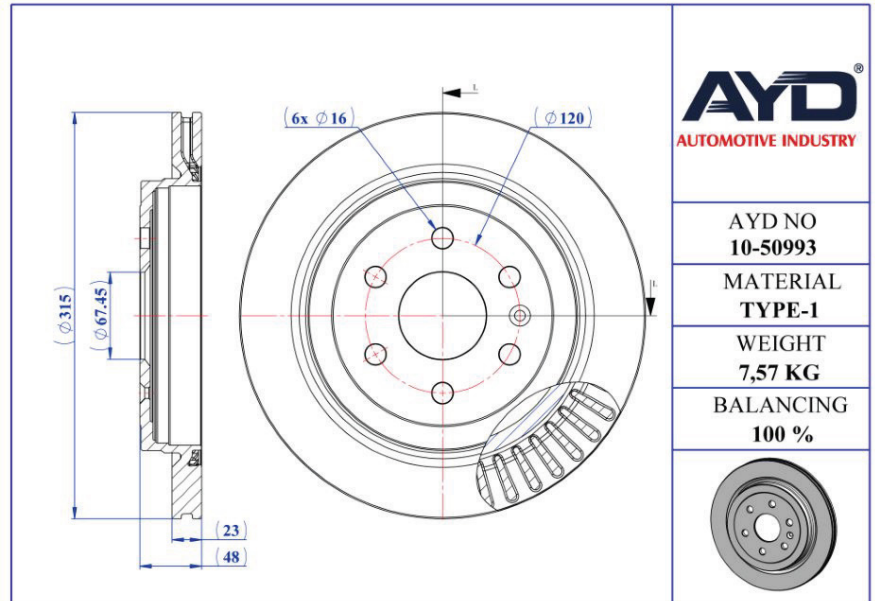
- Rear Axle
- Vented

- Safety
- Performance
- OEM Standarts
- AYD Quality



OE:  
13501317

**10-50993**



**AYD**  
AUTOMOTIVE INDUSTRY

AYD NO  
**10-50993**

MATERIAL  
**TYPE-1**

WEIGHT  
**7,57 KG**

BALANCING  
**100 %**



### Technical Specifications:

Diameter (mm)	Height (mm)	Brake Disc Thickness (mm)	Min. Thickness (mm)	Centering Diameter (mm)	Bolt Hole Circle (mm)	Num. of Holes
315	48	23	21,5	67,45	120	6+1

## CADILLAC

MODEL	START Y.	END Y.
SRX	2009/01	2016/12

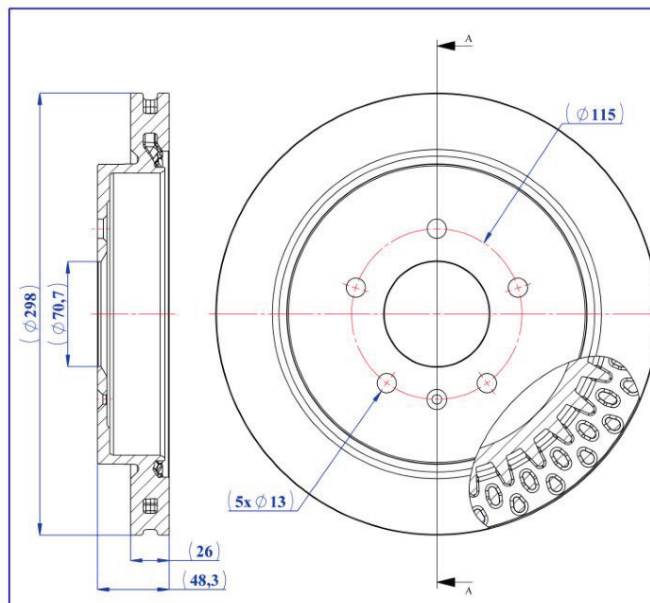
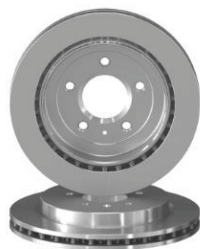


## BRAKE DISC

- Rear Axle
- Vented

- Safety
- Performance
- OEM Standarts
- AYD Quality

OE:  
15240719  
25693146



**AYD**<sup>®</sup>  
AUTOMOTIVE INDUSTRY

AYD NO  
**10-50996**

MATERIAL  
**TYPE-1**

WEIGHT  
**7,12 KG**

BALANCING  
**100 %**



**10-50996**

### Technical Specifications:

Diameter (mm)	Height (mm)	Brake Disc Thickness (mm)	Min. Thickness (mm)	Centering Diameter (mm)	Bolt Hole Circle (mm)	Num. of Holes
298	48,3	26	24	70,7	115	5+1

## CADILLAC

MODEL	START Y.	END Y.
CTS	2002/03	2007/12

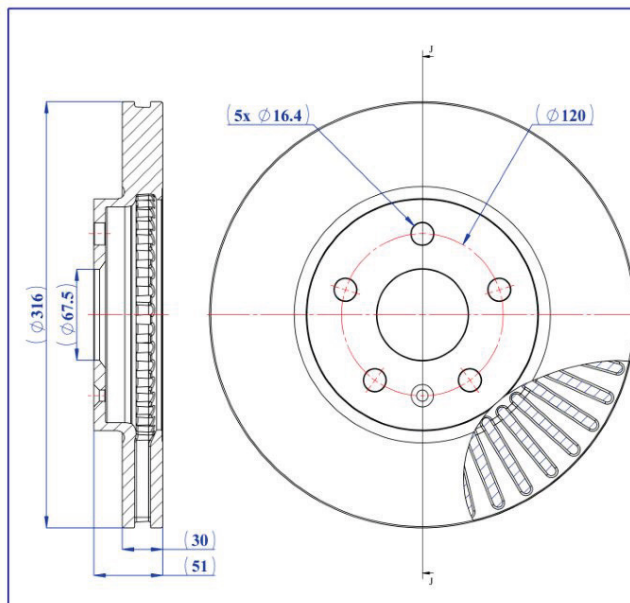


## BRAKE DISC

- Front Axle
- Vented

- Safety
- Performance
- OEM Standarts
- AYD Quality

OE:  
20808620  
15267102



**AYD**<sup>®</sup>  
AUTOMOTIVE INDUSTRY

AYD NO  
**10-51015**

MATERIAL  
**TYPE-1**

WEIGHT  
**10,42 KG**

BALANCING  
**100 %**



**10-51015**

### Technical Specifications:

Diameter (mm)	Height (mm)	Brake Disc Thickness (mm)	Min. Thickness (mm)	Centering Diameter (mm)	Bolt Hole Circle (mm)	Num. of Holes
316	51	30	28,5	67,5	120	5+1

## CADILLAC

MODEL	START Y.	END Y.
CTS	2007/07	
CTS Coupe	2008/01	
CTS Sport Wagon	2008/01	



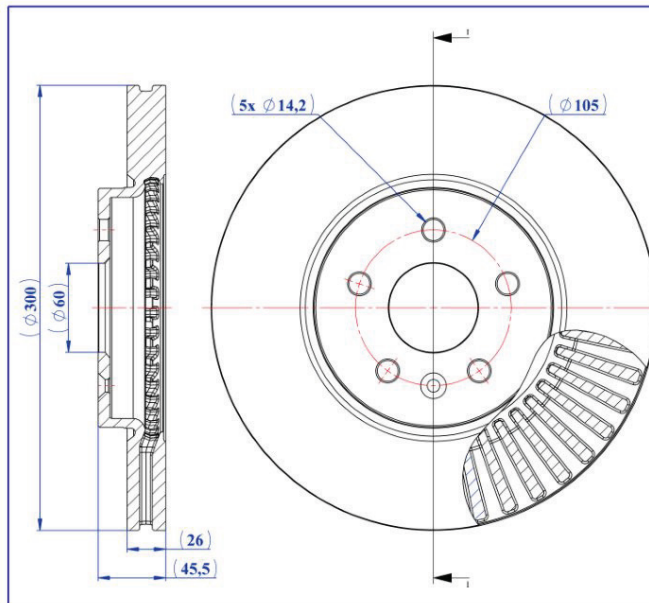
## BRAKE DISC

- Front Axle
- Vented

- Safety
- Performance
- OEM Standarts
- AYD Quality

OE:  
13502060

**10-50995**



**AYD**<sup>®</sup>  
AUTOMOTIVE INDUSTRY

AYD NO  
**10-50995**

MATERIAL  
**TYPE-1**

WEIGHT  
**8,55 KG**

BALANCING  
**100 %**



### Technical Specifications:

Diameter (mm)	Height (mm)	Brake Disc Thickness (mm)	Min. Thickness (mm)	Centering Diameter (mm)	Bolt Hole Circle (mm)	Num. of Holes
300	45,5	26	23	60	105	5+1

## CHEVROLET

MODEL	START Y.	END Y.
TRAX	2012/12	





## BRAKE DISC

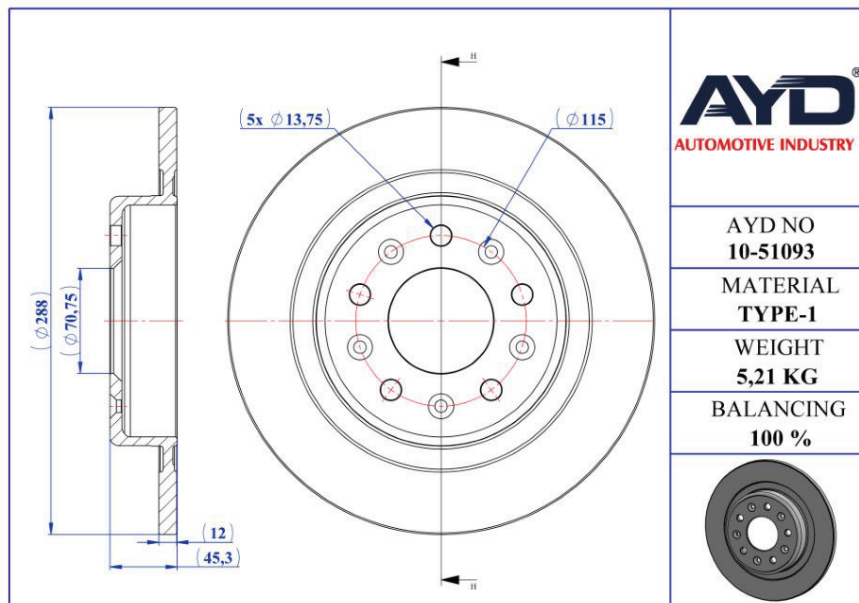
- Rear Axle
- Solid

- Safety
- Performance
- OEM Standarts
- AYD Quality



OE:  
13517854

**10-51093**



**AYD**  
AUTOMOTIVE INDUSTRY

AYD NO  
**10-51093**

MATERIAL  
**TYPE-1**

WEIGHT  
**5,21 KG**

BALANCING  
**100 %**



### Technical Specifications:

Diameter (mm)	Height (mm)	Brake Disc Thickness (mm)	Min. Thickness (mm)	Centering Diameter (mm)	Bolt Hole Circle (mm)	Num. of Holes
288	45,3	12	10	70,75	115	5+5

## CHEVROLET

MODEL	START Y.	END Y.
EQUINOX	2017/03	
MALIBU	2015/09	



## BRAKE DISC

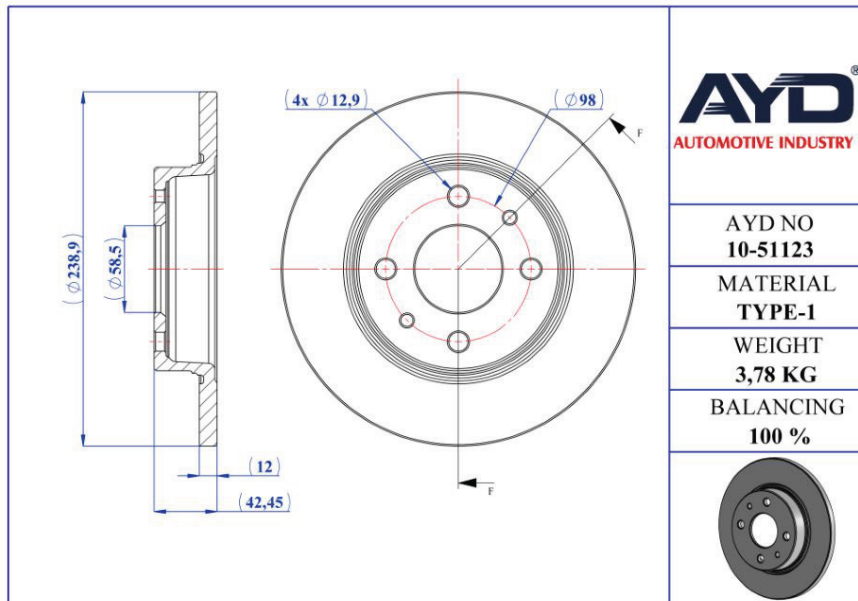
- Front Axle
- Solid

- Safety
- Performance
- OEM Standarts
- AYD Quality



OE:  
21080350107000

**10-51123**



**AYD**<sup>®</sup>  
AUTOMOTIVE INDUSTRY

AYD NO  
**10-51123**

MATERIAL  
**TYPE-1**

WEIGHT  
**3,78 KG**

BALANCING  
**100 %**



### Technical Specifications:

Diameter (mm)	Height (mm)	Brake Disc Thickness (mm)	Min. Thickness (mm)	Centering Diameter (mm)	Bolt Hole Circle (mm)	Num. of Holes
238,9	42,45	12	10	58,5	98	4+2

## CHEVROLET

MODEL	START Y.	END Y.
NIVA (2123)	2002/09	

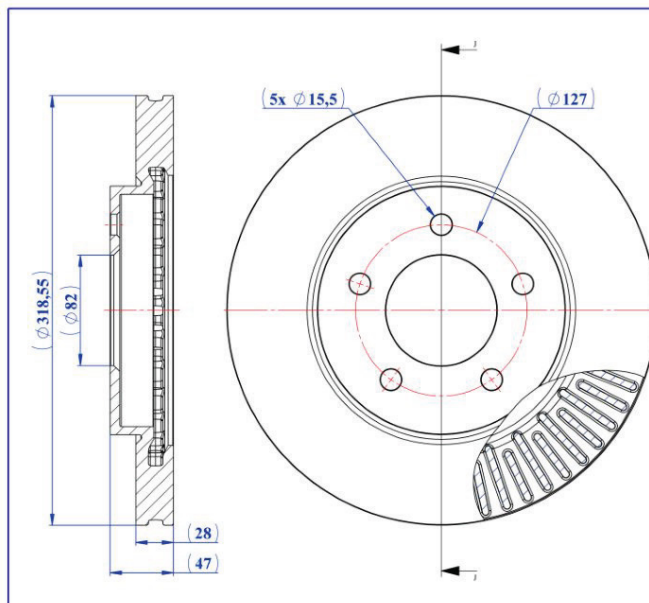


## BRAKE DISC

- Front Axle
- Vented

- Safety
- Performance
- OEM Standarts
- AYD Quality

OE:  
4721234AA  
4721234AB



AYD NO  
**10-50992**

MATERIAL  
**TYPE-1**

WEIGHT  
**9,03 KG**

BALANCING  
**100 %**



**10-50992**

### Technical Specifications:

Diameter (mm)	Height (mm)	Brake Disc Thickness (mm)	Min. Thickness (mm)	Centering Diameter (mm)	Bolt Hole Circle (mm)	Num. of Holes
318,55	47	28	26,5	82	127	5

## CHRYSLER

MODEL	START Y.	END Y.
PACIFICA	2003/08	2008/09

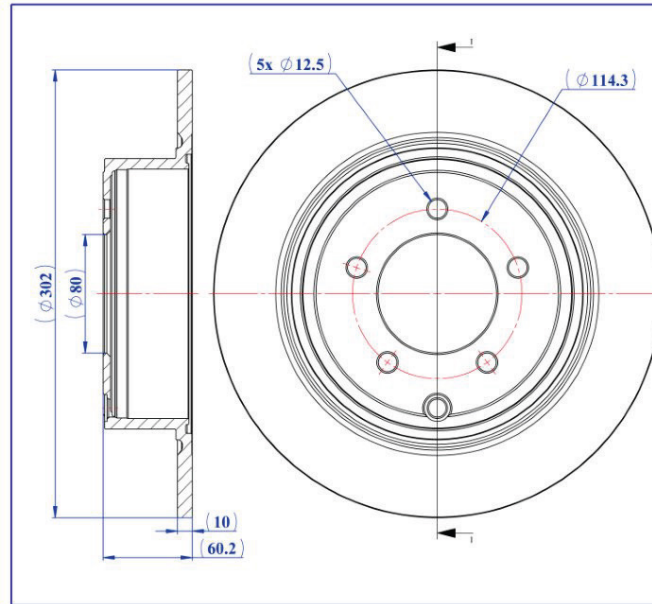


## BRAKE DISC

- Rear Axle
- Solid

- Safety
- Performance
- OEM Standarts
- AYD Quality

OE:  
4743999AA  
4743999AB



**AYD**<sup>®</sup>  
AUTOMOTIVE INDUSTRY

AYD NO  
**10-50997**

MATERIAL  
**TYPE-1**

WEIGHT  
**5,38 KG**

BALANCING  
**100 %**



**10-50997**

### Technical Specifications:

Diameter (mm)	Height (mm)	Brake Disc Thickness (mm)	Min. Thickness (mm)	Centering Diameter (mm)	Bolt Hole Circle (mm)	Num. of Holes
302	60,2	10	8,4	80	114,3	5+1

## CHRYSLER

MODEL	START Y.	END Y.
SEBRING Convertible (JS)	2007/05	2010/12



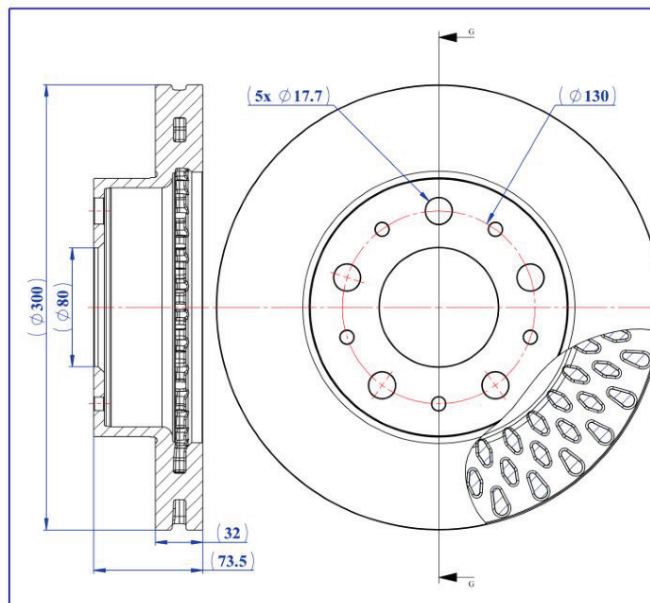


## BRAKE DISC

- Front Axle
- Vented

- Safety
- Performance
- OEM Standarts
- AYD Quality

OE:  
68195026AB  
1611841280  
1618864580



**AYD**  
AUTOMOTIVE INDUSTRY

AYD NO  
**10-50994**

MATERIAL  
**TYPE-1**

WEIGHT  
**10,35 KG**

BALANCING  
**100 %**



**10-50994**

### Technical Specifications:

Diameter (mm)	Height (mm)	Brake Disc Thickness (mm)	Min. Thickness (mm)	Centering Diameter (mm)	Bolt Hole Circle (mm)	Num. of Holes
300	73,5	32	30	80	130	5+5

## CITROËN

MODEL	START Y.	END Y.
JUMPER I Van (244)	2002/04	
JUMPER II Bus	2006/04	
JUMPER II Platform/Chassis	2006/04	
JUMPER II Van	2006/04	



## BRAKE DISC

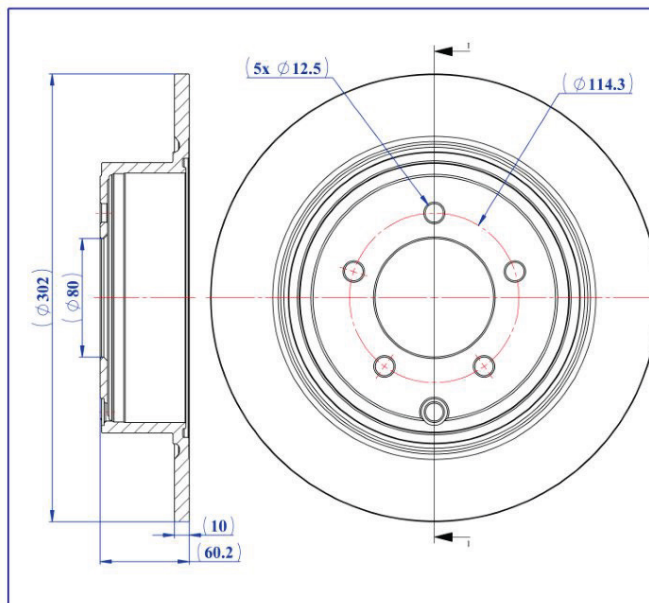
- Rear Axle
- Solid

- Safety
- Performance
- OEM Standarts
- AYD Quality



OE:  
4743999AA

**10-50997**



**AYD**  
AUTOMOTIVE INDUSTRY

AYD NO  
**10-50997**

MATERIAL  
**TYPE-1**

WEIGHT  
**5,38 KG**

BALANCING  
**100 %**



### Technical Specifications:

Diameter (mm)	Height (mm)	Brake Disc Thickness (mm)	Min. Thickness (mm)	Centering Diameter (mm)	Bolt Hole Circle (mm)	Num. of Holes
302	60,2	10	8,4	80	114,3	5+1

## CITROËN

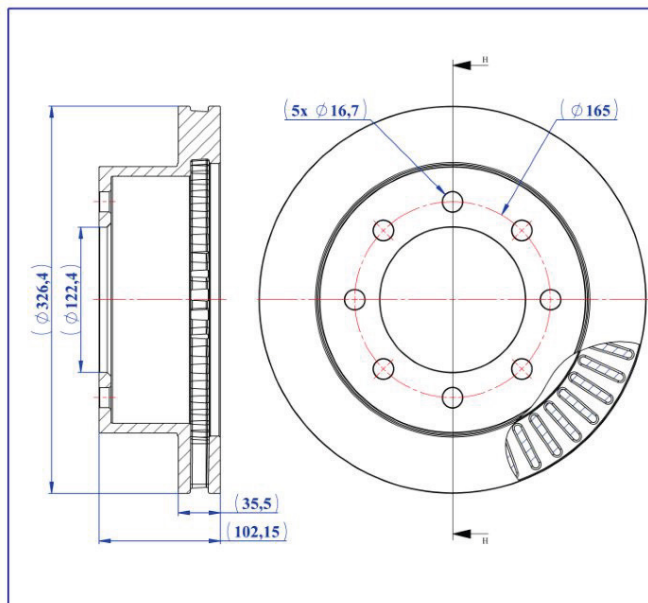
MODEL	START Y.	END Y.
C-CROSSER (VU_, VV_)	2007/02	2012/12
C4 AIRCROSS	2010/08	



## BRAKE DISC

- Front Axle
- Vented

- Safety
- Performance
- OEM Standarts
- AYD Quality



AYD NO  
**10-50987**

MATERIAL  
**TYPE-1**

WEIGHT  
**12,38 KG**

BALANCING  
**100 %**



OE:  
5015230AA

**10-50987**

### Technical Specifications:

Diameter (mm)	Height (mm)	Brake Disc Thickness (mm)	Min. Thickness (mm)	Centering Diameter (mm)	Bolt Hole Circle (mm)	Num. of Holes
326,4	102,15	35,5	33,53	122,4	165	8

## DODGE

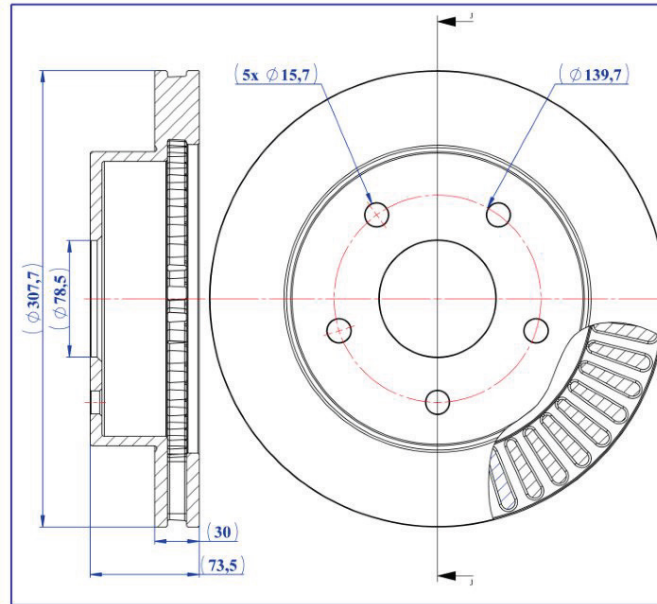
MODEL	START Y.	END Y.
RAM 2500 Cab & Chassis	2001/09	2008/12
RAM 3500 Cab & Chassis	2001/09	2008/12



## BRAKE DISC

- Front Axle
- Vented

- Safety
- Performance
- OEM Standarts
- AYD Quality



**AYD**  
AUTOMOTIVE INDUSTRY

AYD NO  
**10-50989**

MATERIAL  
**TYPE-1**

WEIGHT  
**9,18 KG**

BALANCING  
**100 %**



OE:  
52009801AA

**10-50989**

### Technical Specifications:

Diameter (mm)	Height (mm)	Brake Disc Thickness (mm)	Min. Thickness (mm)	Centering Diameter (mm)	Bolt Hole Circle (mm)	Num. of Holes
307,7	73,5	30	28,39	78,5	139,7	5

## DODGE

MODEL	START Y.	END Y.
RAM 1500 Standard Cab Pickup	1993/09	2001/12

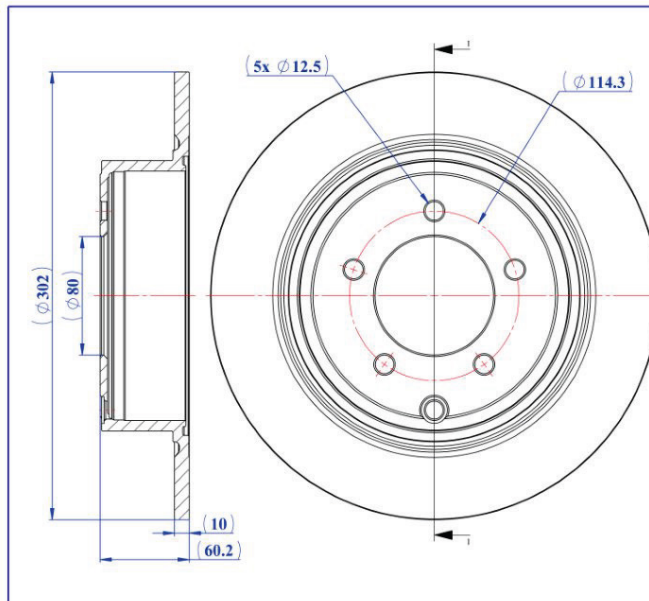




## BRAKE DISC

- Rear Axle
- Solid

- Safety
- Performance
- OEM Standarts
- AYD Quality



AYD NO  
**10-50997**

MATERIAL  
**TYPE-1**

WEIGHT  
**5,38 KG**

BALANCING  
**100 %**



OE:  
4743999AA

**10-50997**

### Technical Specifications:

Diameter (mm)	Height (mm)	Brake Disc Thickness (mm)	Min. Thickness (mm)	Centering Diameter (mm)	Bolt Hole Circle (mm)	Num. of Holes
302	60,2	10	8,4	80	114,3	5+1

## DODGE

MODEL	START Y.	END Y.
AVENGER	2007/06	2014/12

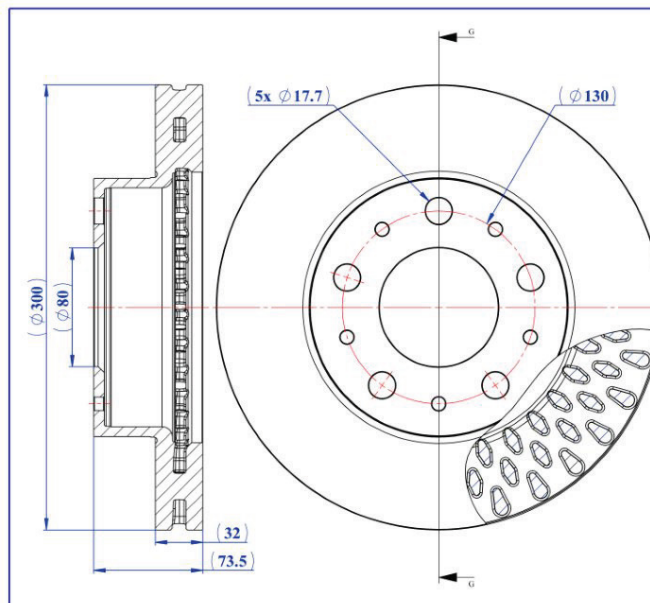


## BRAKE DISC

- Front Axle
- Vented

- Safety
- Performance
- OEM Standarts
- AYD Quality

OE:  
68195026AA  
51705758  
51957509



**AYD**  
AUTOMOTIVE INDUSTRY

AYD NO  
**10-50994**

MATERIAL  
**TYPE-1**

WEIGHT  
**10,35 KG**

BALANCING  
**100 %**



**10-50994**

### Technical Specifications:

Diameter (mm)	Height (mm)	Brake Disc Thickness (mm)	Min. Thickness (mm)	Centering Diameter (mm)	Bolt Hole Circle (mm)	Num. of Holes
300	73,5	32	30	80	130	5+5

## FIAT

MODEL	START Y.	END Y.
DUCATO Bus (250_)	2006/07	
DUCATO Platform/Chassis (250_)	2006/07	
DUCATO Van (250_)	2006/07	

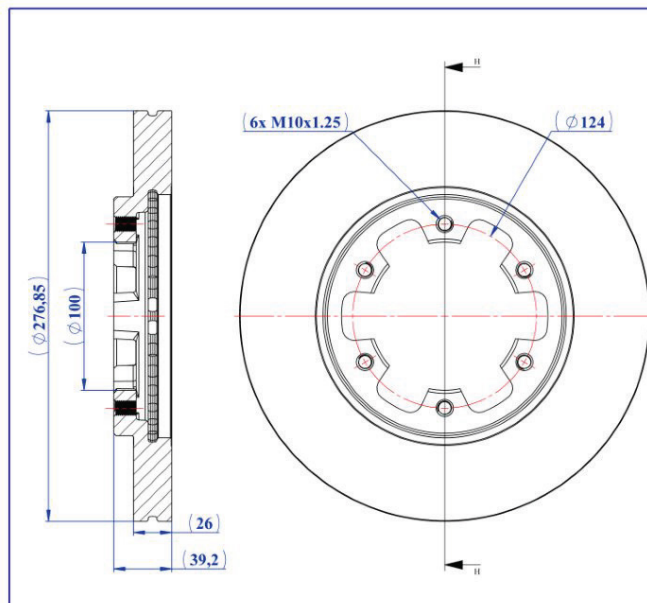


## BRAKE DISC

- Front Axle
- Vented

- Safety
- Performance
- OEM Standarts
- AYD Quality

OE:  
1954433  
1954434



**AYD**<sup>®</sup>  
AUTOMOTIVE INDUSTRY

AYD NO  
**10-50949**

MATERIAL  
**TYPE-1**

WEIGHT  
**7,38 KG**

BALANCING  
**100 %**



**10-50949**

### Technical Specifications:

Diameter (mm)	Height (mm)	Brake Disc Thickness (mm)	Min. Thickness (mm)	Centering Diameter (mm)	Bolt Hole Circle (mm)	Num. of Holes
276,85	39,2	26	24	100	124	6

## FORD

MODEL	START Y.	END Y.
MAVERICK (UDS, UNS)	1993/02	1998/04
MAVERICK VAN	1996/06	1998/04

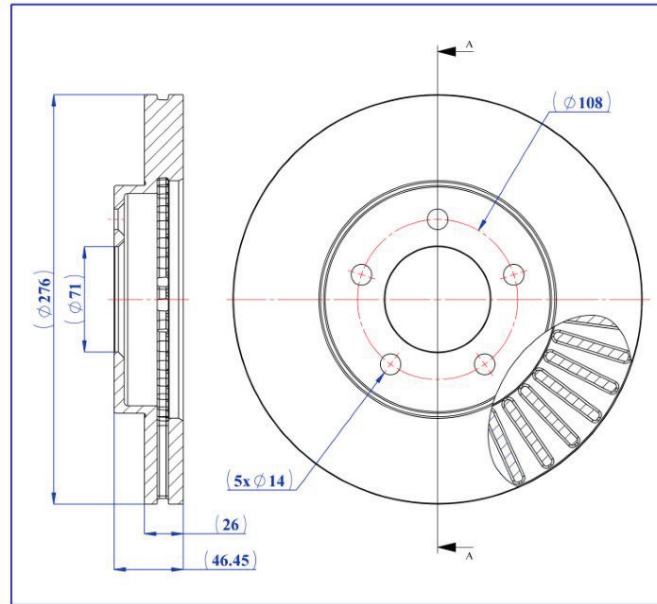


## BRAKE DISC

- Front Axle
- Vented

- Safety
- Performance
- OEM Standarts
- AYD Quality

OE:  
F4SZ1125A  
F58Z1125BB  
F4DZ1125A



**AYD**<sup>®</sup>  
AUTOMOTIVE INDUSTRY

AYD NO  
**10-50973**

MATERIAL  
**TYPE-1**

WEIGHT  
**7,08 KG**

BALANCING  
**100 %**



**10-50973**

### Technical Specifications:

Diameter (mm)	Height (mm)	Brake Disc Thickness (mm)	Min. Thickness (mm)	Centering Diameter (mm)	Bolt Hole Circle (mm)	Num. of Holes
276	46,45	26	24,75	71	108	5

## FORD USA

MODEL	START Y.	END Y.
TAURUS (P5_)	1995/09	1999/12



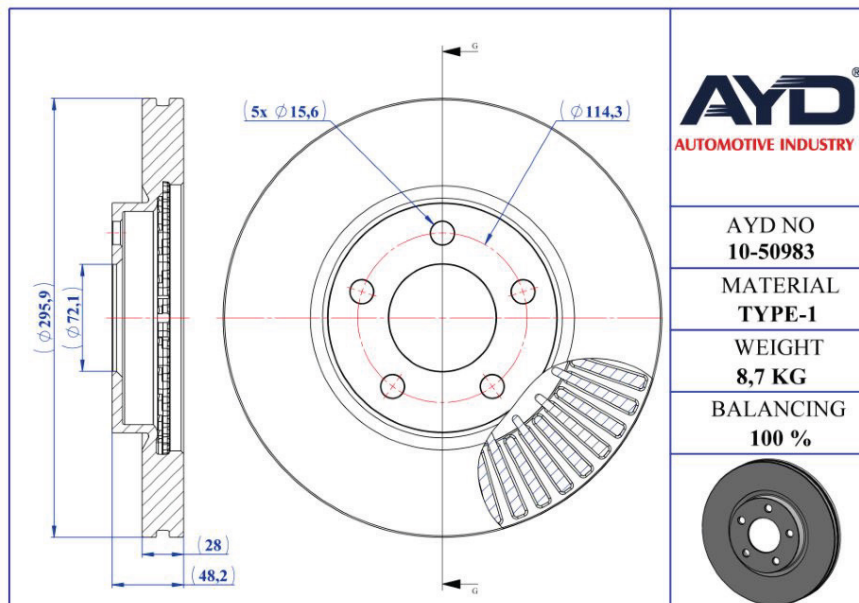


## BRAKE DISC

- Front Axle
- Vented

- Safety
- Performance
- OEM Standarts
- AYD Quality

OE:  
7U2Z1V125DC  
7T4Z1125B



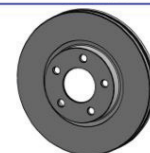
**AYD**  
AUTOMOTIVE INDUSTRY

AYD NO  
**10-50983**

MATERIAL  
**TYPE-1**

WEIGHT  
**8,7 KG**

BALANCING  
**100 %**



**10-50983**

### Technical Specifications:

Diameter (mm)	Height (mm)	Brake Disc Thickness (mm)	Min. Thickness (mm)	Centering Diameter (mm)	Bolt Hole Circle (mm)	Num. of Holes
295,9	48,2	28	26	72,1	114,3	5

## FORD USA

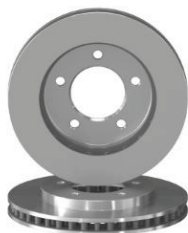
MODEL	START Y.	END Y.
EDGE (U387)	2006/01	



## BRAKE DISC

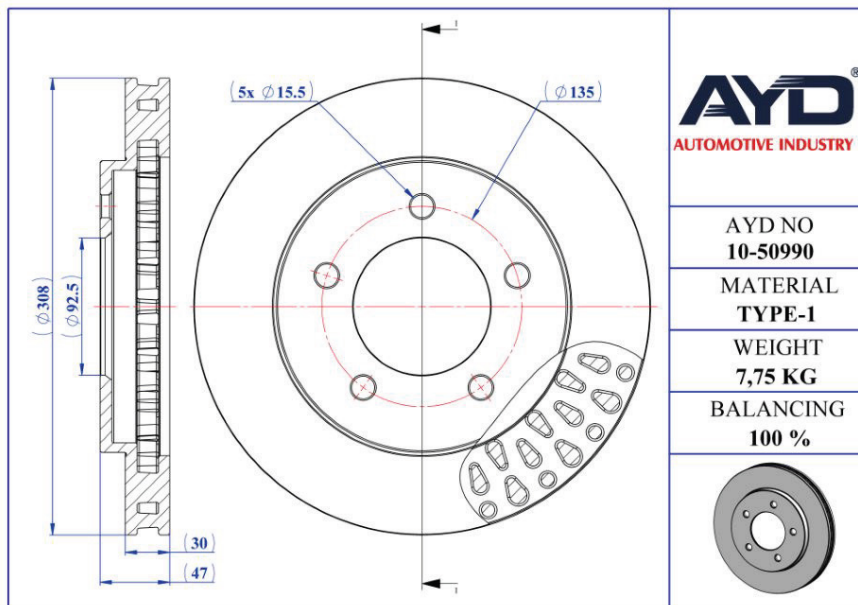
- Front Axle
- Vented

- Safety
- Performance
- OEM Standarts
- AYD Quality



OE:  
XL1Z1125AA

**10-50990**



**AYD**  
AUTOMOTIVE INDUSTRY

AYD NO  
**10-50990**

MATERIAL  
**TYPE-1**

WEIGHT  
**7,75 KG**

BALANCING  
**100 %**



### Technical Specifications:

Diameter (mm)	Height (mm)	Brake Disc Thickness (mm)	Min. Thickness (mm)	Centering Diameter (mm)	Bolt Hole Circle (mm)	Num. of Holes
308	47	30	27,7	92,5	135	5

## FORD USA

MODEL	START Y.	END Y.
EXPEDITION	1996/08	2002/09



## BRAKE DISC

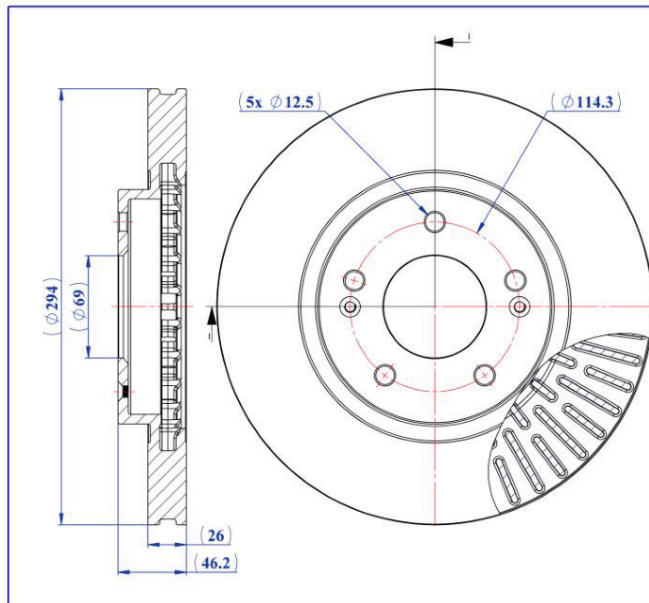
- Front Axle
- Vented

- Safety
- Performance
- OEM Standarts
- AYD Quality



OE:  
5171226100

**10-50929**



**AYD**<sup>®</sup>  
AUTOMOTIVE INDUSTRY

AYD NO  
**10-50929**

MATERIAL  
**TYPE-1**

WEIGHT  
**7,13 KG**

BALANCING  
**100 %**



### Technical Specifications:

Diameter (mm)	Height (mm)	Brake Disc Thickness (mm)	Min. Thickness (mm)	Centering Diameter (mm)	Bolt Hole Circle (mm)	Num. of Holes
294	46,2	26	24,4	69	114,3	5+2

## HAWTAI

MODEL	START Y.	END Y.
BOLIGER	2011/12	

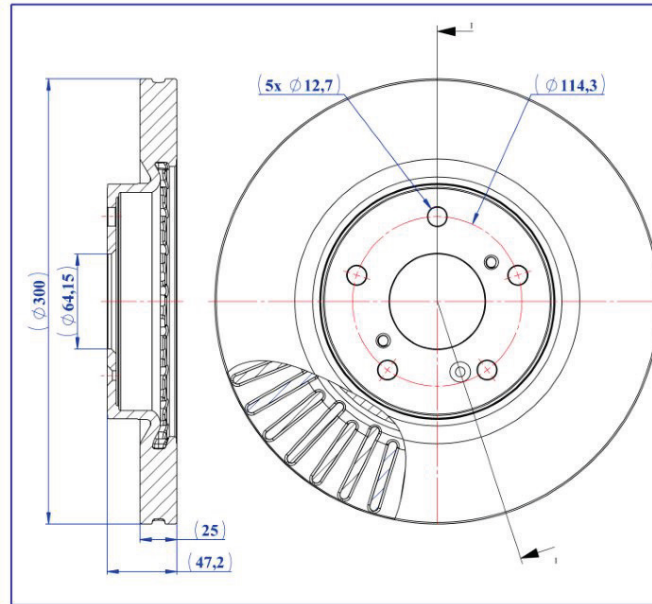


## BRAKE DISC

- Front Axle
- Vented

- Safety
- Performance
- OEM Standarts
- AYD Quality

OE:  
45251T0HA00  
45251T0HA01  
45251T0BA00



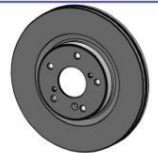
**AYD**<sup>®</sup>  
AUTOMOTIVE INDUSTRY

AYD NO  
**10-50969**

MATERIAL  
**TYPE-1**

WEIGHT  
**7,61 KG**

BALANCING  
**100 %**



**10-50969**

### Technical Specifications:

Diameter (mm)	Height (mm)	Brake Disc Thickness (mm)	Min. Thickness (mm)	Centering Diameter (mm)	Bolt Hole Circle (mm)	Num. of Holes
300	47,2	25	23	64,15	114,3	5+3

## HONDA

MODEL	START Y.	END Y.
CR-V IV (RM_)	2012/01	

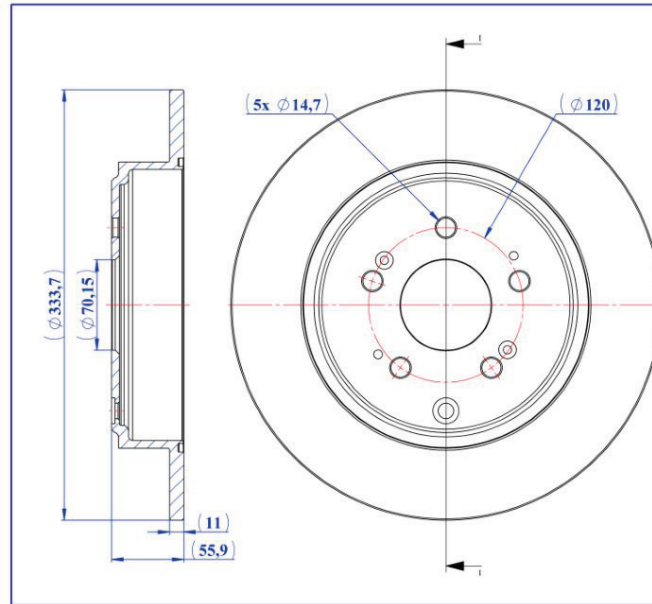




## BRAKE DISC

- Rear Axle
- Solid

- Safety
- Performance
- OEM Standarts
- AYD Quality



**AYD**<sup>®</sup>  
AUTOMOTIVE INDUSTRY

AYD NO  
**10-50981**

MATERIAL  
**TYPE-1**

WEIGHT  
**6,7 KG**

BALANCING  
**100 %**



OE:  
42510SJCA50

**10-50981**

### Technical Specifications:

Diameter (mm)	Height (mm)	Brake Disc Thickness (mm)	Min. Thickness (mm)	Centering Diameter (mm)	Bolt Hole Circle (mm)	Num. of Holes
333,7	55,9	11	9	70,15	120	5+5

## HONDA

MODEL	START Y.	END Y.
RIDGELINE (YK)	2005/03	2014/12



## BRAKE DISC

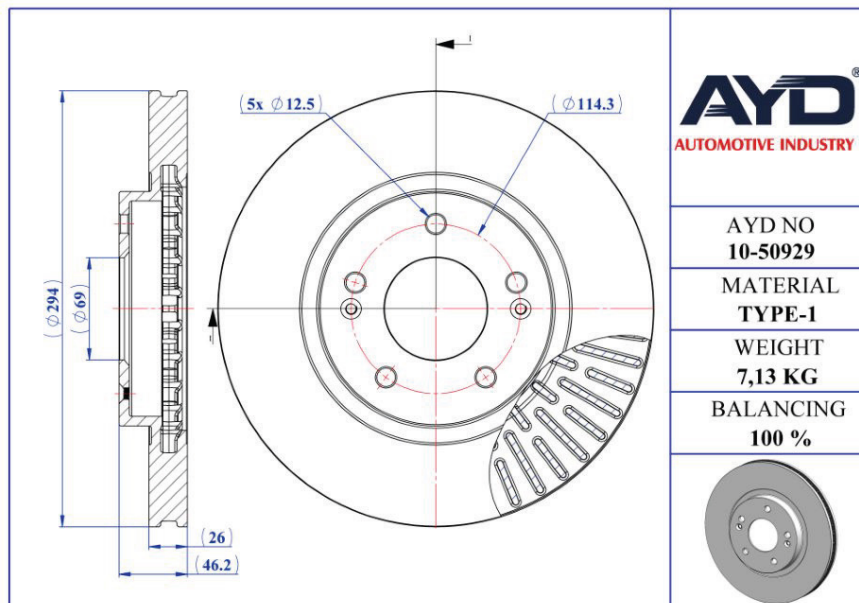
- Front Axle
- Vented

- Safety
- Performance
- OEM Standarts
- AYD Quality



OE:  
5171226100

**10-50929**



**AYD**<sup>®</sup>  
AUTOMOTIVE INDUSTRY

AYD NO  
**10-50929**

MATERIAL  
**TYPE-1**

WEIGHT  
**7,13 KG**

BALANCING  
**100 %**



### Technical Specifications:

Diameter (mm)	Height (mm)	Brake Disc Thickness (mm)	Min. Thickness (mm)	Centering Diameter (mm)	Bolt Hole Circle (mm)	Num. of Holes
294	46,2	26	24,4	69	114,3	5+2

## HYUNDAI

MODEL	START Y.	END Y.
SANTA FÉ I (SM)	2000/11	2006/03
SANTA FÉ I SUV Van (SM)	2000/08	2006/03
TUCSON (JM)	2004/06	



## BRAKE DISC

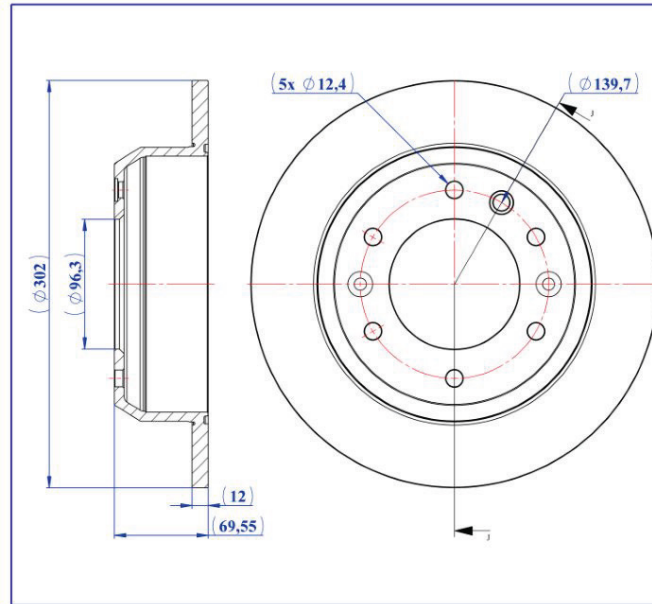
- Rear Axle
- Solid

- Safety
- Performance
- OEM Standarts
- AYD Quality



OE:  
584114D500

**10-50986**



**AYD**<sup>®</sup>  
AUTOMOTIVE INDUSTRY

AYD NO  
**10-50986**

MATERIAL  
**TYPE-1**

WEIGHT  
**6,14 KG**

BALANCING  
**100 %**



### Technical Specifications:

Diameter (mm)	Height (mm)	Brake Disc Thickness (mm)	Min. Thickness (mm)	Centering Diameter (mm)	Bolt Hole Circle (mm)	Num. of Holes
302	69,55	12	10,4	96,3	139,7	6+3

## HYUNDAI

MODEL	START Y.	END Y.
ENTOURAGE Mini Passenger Van	2006/09	2008/12

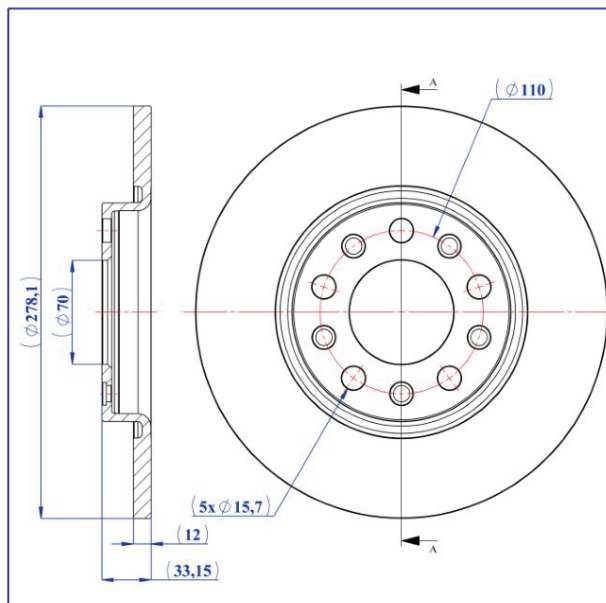


## BRAKE DISC

- Rear Axle
- Solid

- Safety
- Performance
- OEM Standarts
- AYD Quality

OE:  
4779885AC  
4779885AB



**AYD**<sup>®</sup>  
AUTOMOTIVE INDUSTRY

AYD NO  
**10-50978**

MATERIAL  
**TYPE-1**

WEIGHT  
**4,51 KG**

BALANCING  
**100 %**



**10-50978**

### Technical Specifications:

Diameter (mm)	Height (mm)	Brake Disc Thickness (mm)	Min. Thickness (mm)	Centering Diameter (mm)	Bolt Hole Circle (mm)	Num. of Holes
278,1	33,15	12	10,4	70	110	5+5

## JEEP

MODEL	START Y.	END Y.
CHEROKEE (KL)	2013/06	



## BRAKE DISC

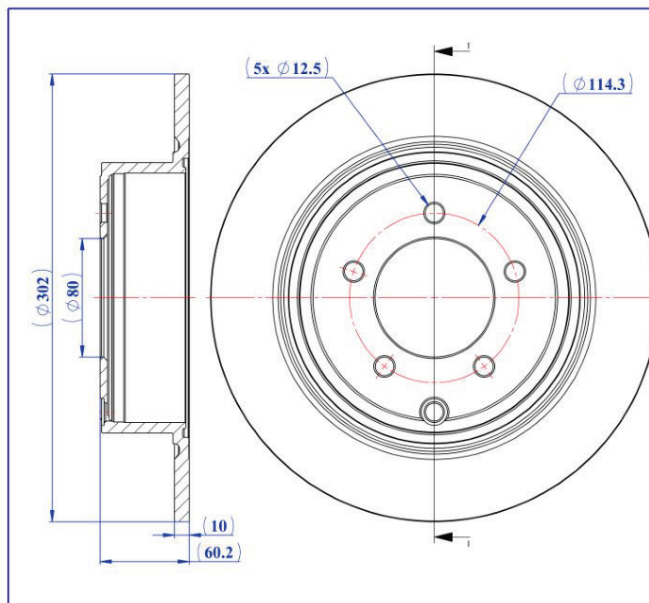
- Rear Axle
- Solid

- Safety
- Performance
- OEM Standarts
- AYD Quality



OE:  
04743999AA  
04743999AB

**10-50997**



**AYD**<sup>®</sup>  
AUTOMOTIVE INDUSTRY

AYD NO  
**10-50997**

MATERIAL  
**TYPE-1**

WEIGHT  
**5,38 KG**

BALANCING  
**100 %**



### Technical Specifications:

Diameter (mm)	Height (mm)	Brake Disc Thickness (mm)	Min. Thickness (mm)	Centering Diameter (mm)	Bolt Hole Circle (mm)	Num. of Holes
302	60,2	10	8,4	80	114,3	5+1

## JEEP

MODEL	START Y.	END Y.
COMPASS (MK49)	2006/08	
PATRIOT (MK74)	2007/02	2017/12

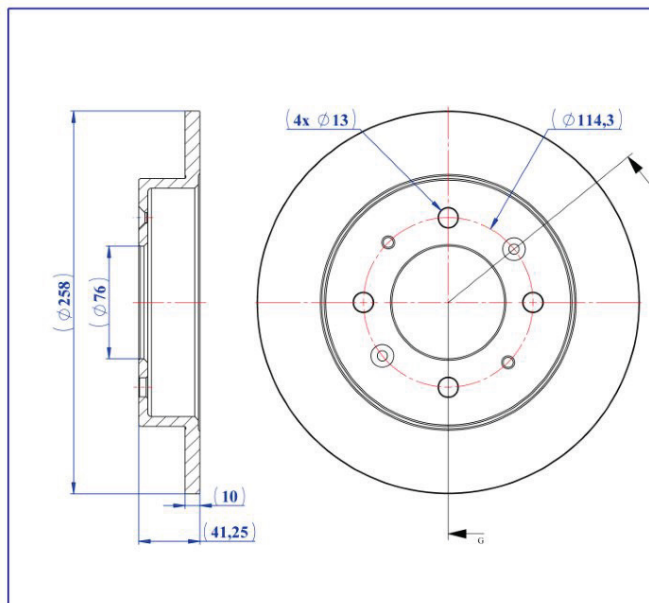




## BRAKE DISC

- Rear Axle
- Solid

- Safety
- Performance
- OEM Standarts
- AYD Quality



**AYD**  
AUTOMOTIVE INDUSTRY

AYD NO  
**10-50462**

MATERIAL  
**TYPE-1**

WEIGHT  
**3,71 KG**

BALANCING  
**100 %**



OE:  
584112F100

**10-50462**

### Technical Specifications:

Diameter (mm)	Height (mm)	Brake Disc Thickness (mm)	Min. Thickness (mm)	Centering Diameter (mm)	Bolt Hole Circle (mm)	Num. of Holes
258	41,25	10	8	76	114,3	4+4

## KIA

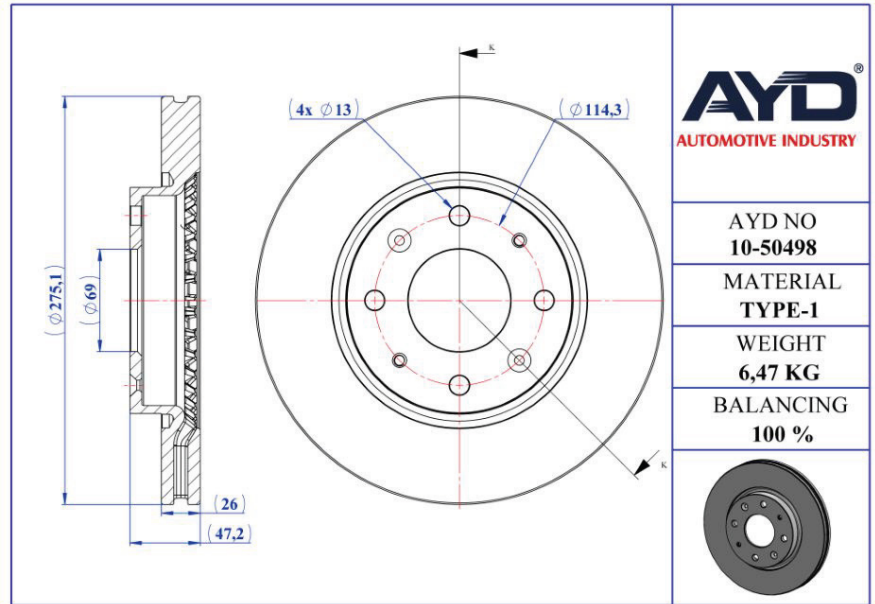
MODEL	START Y.	END Y.
CERATO I Hatchback (LD)	2004/03	2010/12
CERATO I Saloon (LD)	2004/04	2011/12



## BRAKE DISC

- Front Axle
- Vented

- Safety
- Performance
- OEM Standarts
- AYD Quality



**AYD**<sup>®</sup>  
AUTOMOTIVE INDUSTRY

AYD NO  
**10-50498**

MATERIAL  
**TYPE-1**

WEIGHT  
**6,47 KG**

BALANCING  
**100 %**



OE:  
517122F100

**10-50498**

### Technical Specifications:

Diameter (mm)	Height (mm)	Brake Disc Thickness (mm)	Min. Thickness (mm)	Centering Diameter (mm)	Bolt Hole Circle (mm)	Num. of Holes
275,1	47,2	26	24	69	114,3	4+4

## KIA

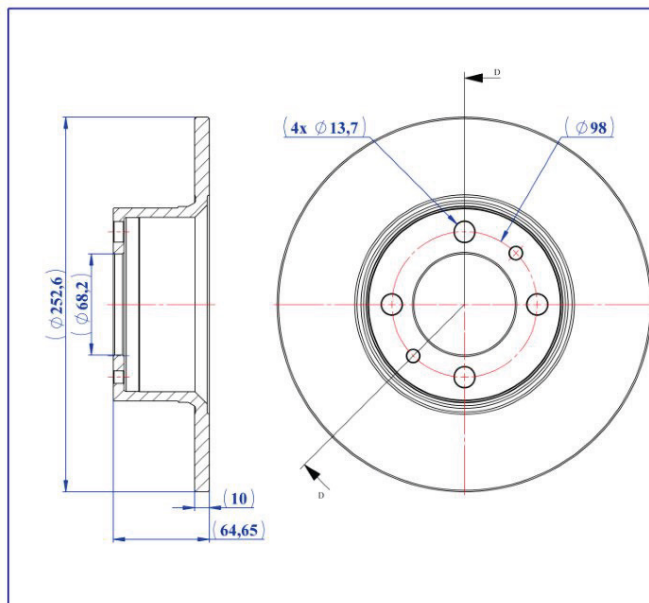
MODEL	START Y.	END Y.
CERATO I Hatchback (LD)	2004/03	2010/12
CERATO I Saloon (LD)	2004/04	2011/12



## BRAKE DISC

- Front Axle
- Solid

- Safety
- Performance
- OEM Standards
- AYD Quality

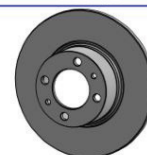


AYD NO  
**10-51122**

MATERIAL  
**TYPE-1**

WEIGHT  
**4,03 KG**

BALANCING  
**100 %**



OE:  
21010350107001

**10-51122**

### Technical Specifications:

Diameter (mm)	Height (mm)	Brake Disc Thickness (mm)	Min. Thickness (mm)	Centering Diameter (mm)	Bolt Hole Circle (mm)	Num. of Holes
252,6	64,65	10	9	68,2	98	4+2

## LADA

MODEL	START Y.	END Y.
NOVA (2105)	1981/05	2012/04
NOVA Estate (2104)	1984/09	2012/04
TOSCANA (2107)	1982/05	2012/05



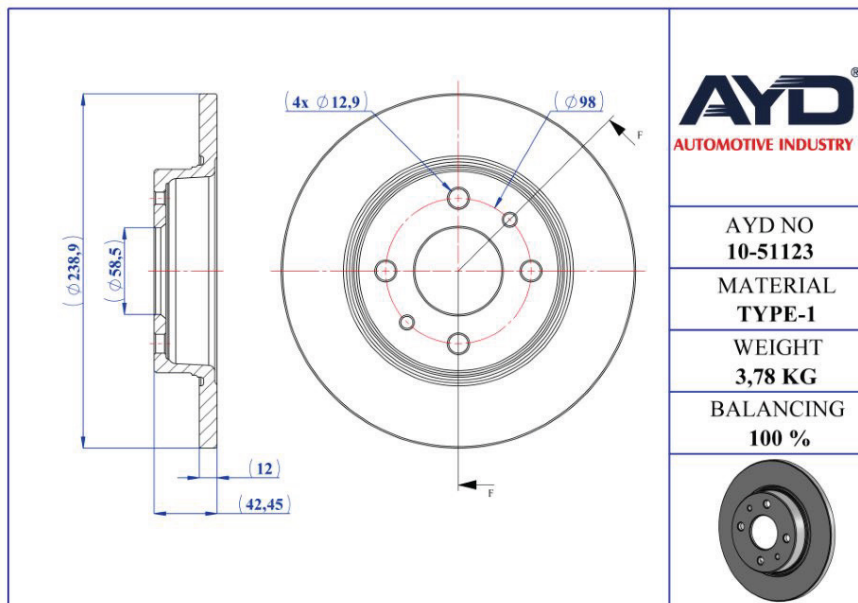
## BRAKE DISC

- Front Axle
- Solid

- Safety
- Performance
- OEM Standarts
- AYD Quality



OE:  
21080350107000  
21213501070  
2121350107080



**AYD**<sup>®</sup>  
AUTOMOTIVE INDUSTRY

AYD NO  
**10-51123**

MATERIAL  
**TYPE-1**

WEIGHT  
**3,78 KG**

BALANCING  
**100 %**



**10-51123**

### Technical Specifications:

Diameter (mm)	Height (mm)	Brake Disc Thickness (mm)	Min. Thickness (mm)	Centering Diameter (mm)	Bolt Hole Circle (mm)	Num. of Holes
238,9	42,45	12	10	58,5	98	4+2

## LADA

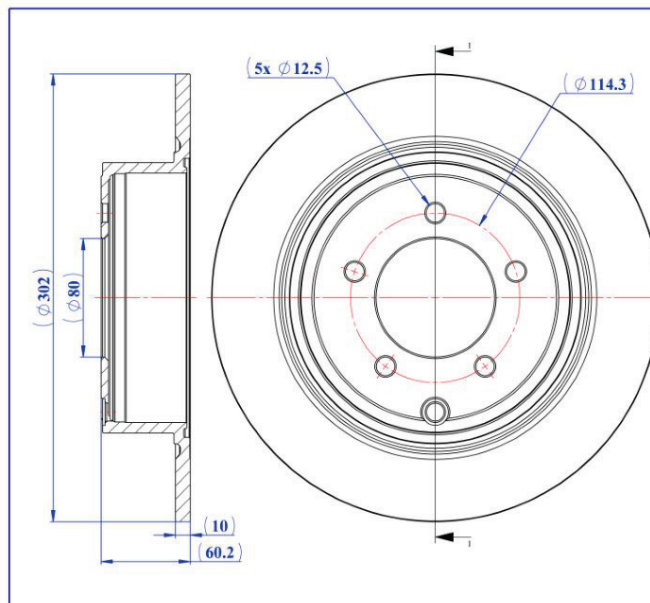
MODEL	START Y.	END Y.
NADESCHDA (2120)	1997/12	2006/12
NIVA Closed Off-Road Vehicle (2121, 2131)	1976/12	



## BRAKE DISC

- Rear Axle
- Solid

- Safety
- Performance
- OEM Standarts
- AYD Quality



**AYD**  
AUTOMOTIVE INDUSTRY

AYD NO  
**10-50997**

MATERIAL  
**TYPE-1**

WEIGHT  
**5,38 KG**

BALANCING  
**100 %**



OE:  
K04743999AA

**10-50997**

### Technical Specifications:

Diameter (mm)	Height (mm)	Brake Disc Thickness (mm)	Min. Thickness (mm)	Centering Diameter (mm)	Bolt Hole Circle (mm)	Num. of Holes
302	60,2	10	8,4	80	114,3	5+1

## LANCIA

MODEL	START Y.	END Y.
FLAVIA Convertible (JS_)	2012/03	2014/12



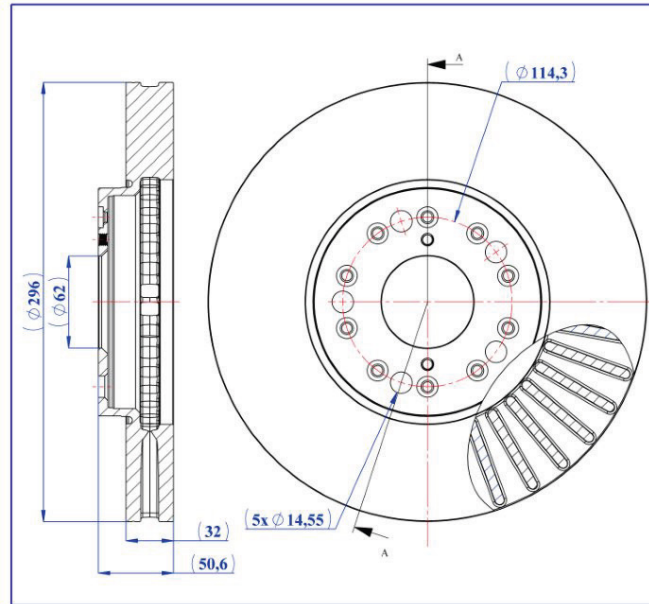


## BRAKE DISC

- Front Axle
- Vented

- Safety
- Performance
- OEM Standarts
- AYD Quality

OE:  
4351224051  
4351250100  
4351222210



**AYD**<sup>®</sup>  
AUTOMOTIVE INDUSTRY

AYD NO  
**10-50991**

MATERIAL  
**TYPE-1**

WEIGHT  
**9,12 KG**

BALANCING  
**100 %**



**10-50991**

### Technical Specifications:

Diameter (mm)	Height (mm)	Brake Disc Thickness (mm)	Min. Thickness (mm)	Centering Diameter (mm)	Bolt Hole Circle (mm)	Num. of Holes
296	50,6	32	30	62	114,3	5+12

## LEXUS

MODEL	START Y.	END Y.
GS (_S16_)	1997/08	2004/12
GS (_S19_)	2005/01	2012/12
GS (JZS147_)	1993/01	1997/08
IS I (_E1_)	1999/04	2005/07
IS SportCross (_E1_)	2001/10	2005/10
LS (_F1_)	1989/09	1995/12
SC Convertible (UZZ40_)	2001/01	2010/07
SC Coupe (_ZZ3_)	1991/08	2000/07



## BRAKE DISC

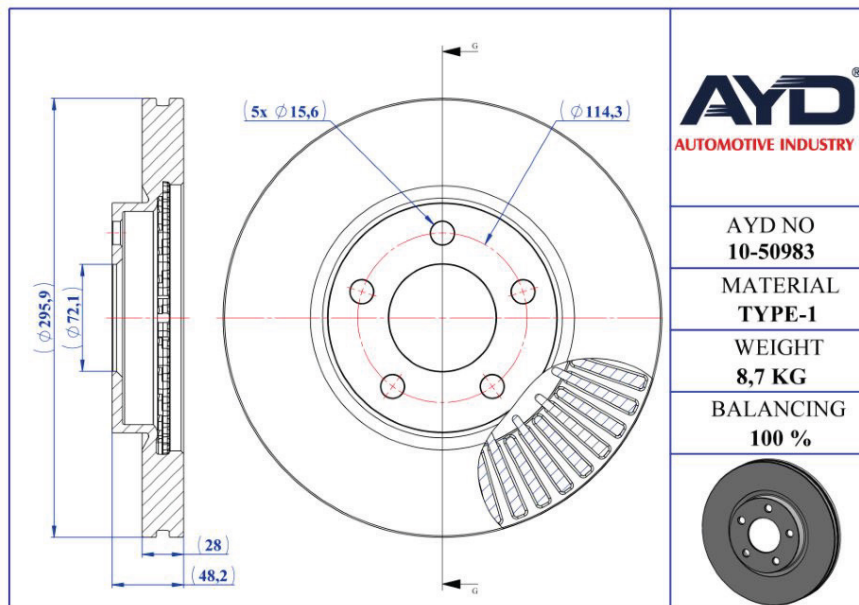
- Front Axle
- Vented

- Safety
- Performance
- OEM Standarts
- AYD Quality



OE:  
7T4Z1125B  
7U2Z1V125DC

**10-50983**



**AYD**  
AUTOMOTIVE INDUSTRY

AYD NO  
**10-50983**

MATERIAL  
**TYPE-1**

WEIGHT  
**8,7 KG**

BALANCING  
**100 %**



### Technical Specifications:

Diameter (mm)	Height (mm)	Brake Disc Thickness (mm)	Min. Thickness (mm)	Centering Diameter (mm)	Bolt Hole Circle (mm)	Num. of Holes
295,9	48,2	28	26	72,1	114,3	5

## LINCOLN

MODEL	START Y.	END Y.
MKX	2006/01	



## BRAKE DISC

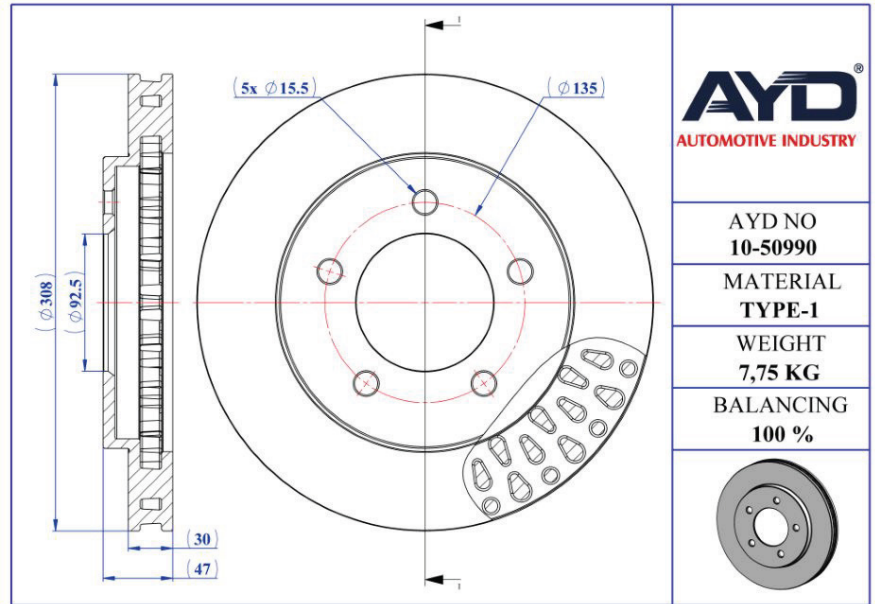
- Front Axle
- Vented

- Safety
- Performance
- OEM Standarts
- AYD Quality



OE:  
XL1Z1125AA

**10-50990**



**AYD**<sup>®</sup>  
AUTOMOTIVE INDUSTRY

AYD NO  
**10-50990**

MATERIAL  
**TYPE-1**

WEIGHT  
**7,75 KG**

BALANCING  
**100 %**



### Technical Specifications:

Diameter (mm)	Height (mm)	Brake Disc Thickness (mm)	Min. Thickness (mm)	Centering Diameter (mm)	Bolt Hole Circle (mm)	Num. of Holes
308	47	30	27,7	92,5	135	5

## LINCOLN

MODEL	START Y.	END Y.
NAVIGATOR (UN173)	1997/05	2002/12

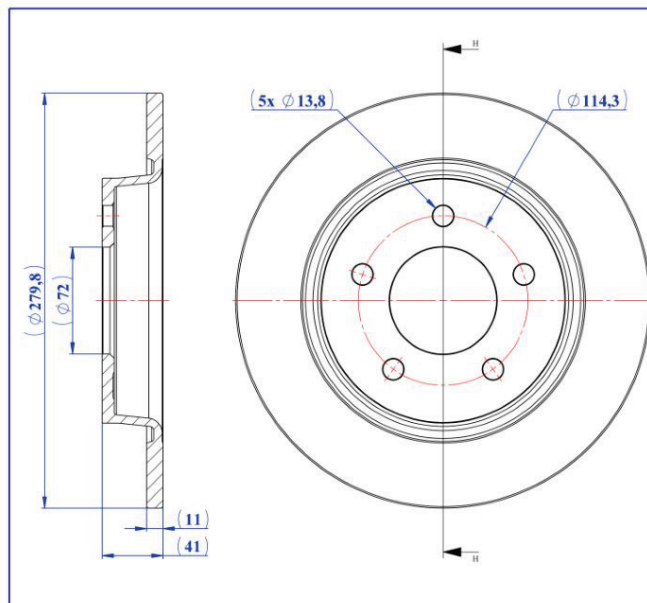


## BRAKE DISC

- Rear Axle
- Solid

- Safety
- Performance
- OEM Standards
- AYD Quality

OE:  
C25Y26251C  
BP6Y26251D  
BP6Y26251C



**AYD**  
AUTOMOTIVE INDUSTRY

AYD NO  
**10-50939**

MATERIAL  
**TYPE-1**

WEIGHT  
**4,34 KG**

BALANCING  
**100 %**



**10-50939**

### Technical Specifications:

Diameter (mm)	Height (mm)	Brake Disc Thickness (mm)	Min. Thickness (mm)	Centering Diameter (mm)	Bolt Hole Circle (mm)	Num. of Holes
279,8	41	11	9	72	114,3	5

## MAZDA

MODEL	START Y.	END Y.
3 (BK)	2003/10	2009/12
3 (BL)	2008/12	2014/09
3 Saloon (BK)	1999/09	2009/12
3 Saloon (BL)	2008/12	2014/12
5 (CR19)	2005/02	2010/12
5 (CW)	2010/06	



## BRAKE DISC

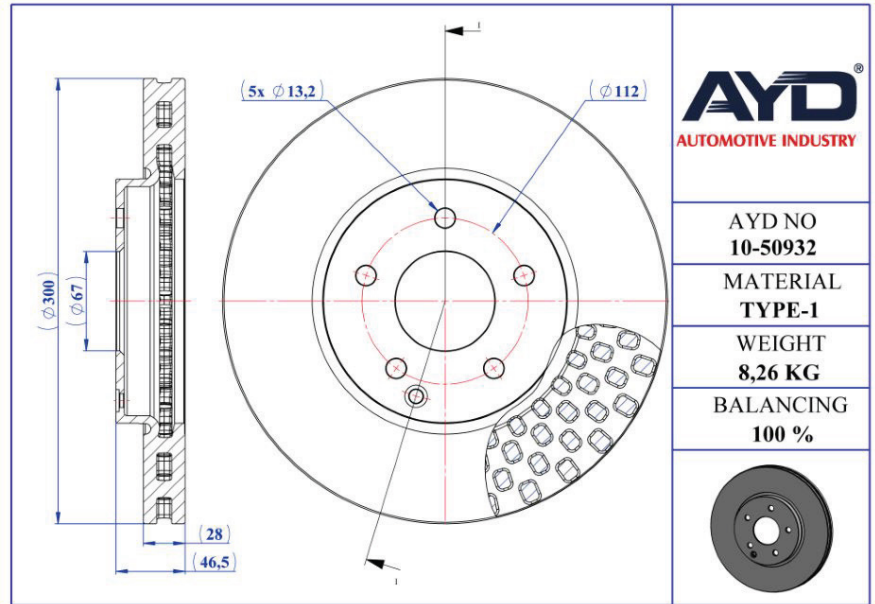
- Front Axle
- Vented

- Safety
- Performance
- OEM Standarts
- AYD Quality



OE:  
2034210512

**10-50932**



**AYD**<sup>®</sup>  
AUTOMOTIVE INDUSTRY

AYD NO  
**10-50932**

MATERIAL  
**TYPE-1**

WEIGHT  
**8,26 KG**

BALANCING  
**100 %**



### Technical Specifications:

Diameter (mm)	Height (mm)	Brake Disc Thickness (mm)	Min. Thickness (mm)	Centering Diameter (mm)	Bolt Hole Circle (mm)	Num. of Holes
300	46,5	28	25,4	67	112	5+1

## MERCEDES-BENZ

MODEL	START Y.	END Y.
C-CLASS (W203)	2000/05	2007/12
C-CLASS Coupe (CL203)	2001/03	2011/06
C-CLASS T-Model (S203)	2001/03	2007/08
CLC-CLASS (CL203)	2008/05	2011/06
CLK (C209)	2002/05	2010/03
CLK Convertible (A209)	2002/06	2010/03
SLK (R171)	2004/03	2011/12



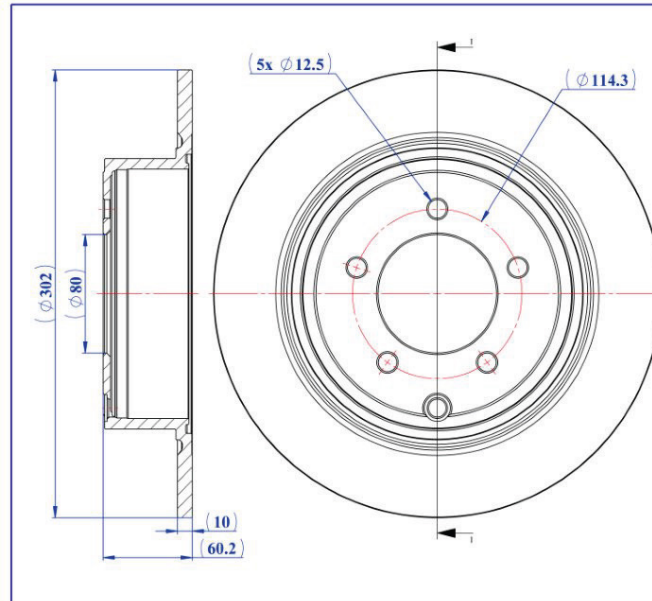


## BRAKE DISC

- Rear Axle
- Solid

- Safety
- Performance
- OEM Standarts
- AYD Quality

OE:  
4615A121  
4615A010



AYD NO  
**10-50997**

MATERIAL  
**TYPE-1**

WEIGHT  
**5,38 KG**

BALANCING  
**100 %**



**10-50997**

### Technical Specifications:

Diameter (mm)	Height (mm)	Brake Disc Thickness (mm)	Min. Thickness (mm)	Centering Diameter (mm)	Bolt Hole Circle (mm)	Num. of Holes
302	60,2	10	8,4	80	114,3	5+1

## MITSUBISHI

MODEL	START Y.	END Y.
ASX (GA_W_)	2009/11	
ASX Van (GA_W_)	2010/06	
OUTLANDER II (CW_W)	2006/11	2012/12

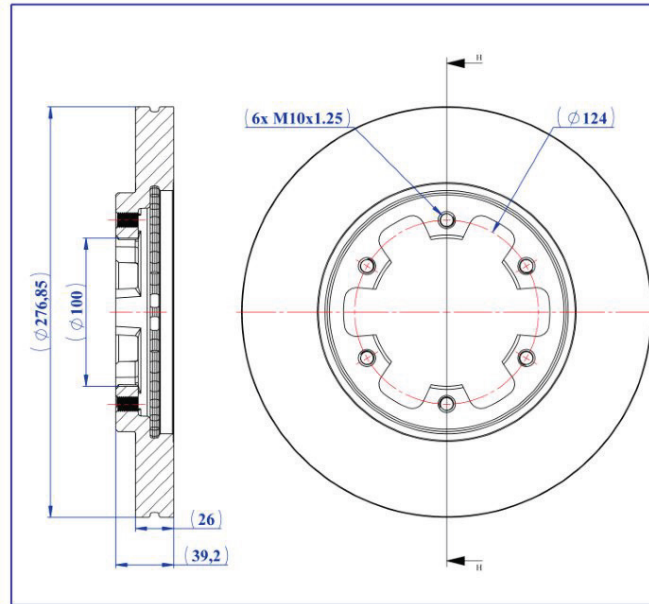


## BRAKE DISC

- Front Axle
- Vented

- Safety
- Performance
- OEM Standarts
- AYD Quality

OE:  
402060F001  
402060F000  
4020631G00



**AYD**<sup>®</sup>  
AUTOMOTIVE INDUSTRY

AYD NO  
**10-50949**

MATERIAL  
**TYPE-1**

WEIGHT  
**7,38 KG**

BALANCING  
**100 %**



**10-50949**

### Technical Specifications:

Diameter (mm)	Height (mm)	Brake Disc Thickness (mm)	Min. Thickness (mm)	Centering Diameter (mm)	Bolt Hole Circle (mm)	Num. of Holes
276,85	39,2	26	24	100	124	6

## NISSAN

MODEL	START Y.	END Y.
PICK UP (D21)	1985/09	2008/12
PICK UP (D22)	1997/01	
TERRANO I (WD21)	1986/07	1996/02
TERRANO II (R20)	1992/10	2007/09
TERRANO II Van (R20)	1998/06	2007/09

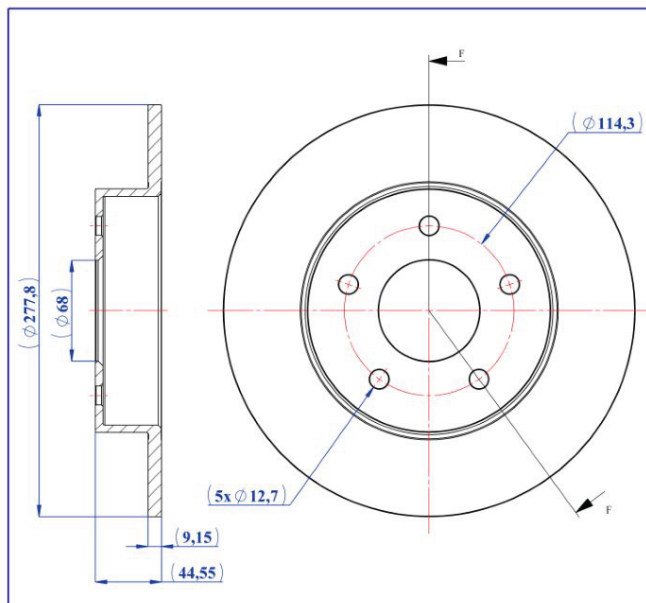


## BRAKE DISC

- Rear Axle
- Solid

- Safety
- Performance
- OEM Standards
- AYD Quality

OE:  
432064U001  
4320631U12  
432062Y502



**AYD**<sup>®</sup>  
AUTOMOTIVE INDUSTRY

AYD NO  
**10-50950**

MATERIAL  
**TYPE-1**

WEIGHT  
**3,92 KG**

BALANCING  
**100 %**



**10-50950**

### Technical Specifications:

Diameter (mm)	Height (mm)	Brake Disc Thickness (mm)	Min. Thickness (mm)	Centering Diameter (mm)	Bolt Hole Circle (mm)	Num. of Holes
277,8	44,55	9,15	8	68	114,3	5

## NISSAN

MODEL	START Y.	END Y.
CEFIRO II Saloon (A32)	1994/08	1999/12
CEFIRO III Saloon (A33)	1999/01	2007/12
MAXIMA / MAXIMA QX IV (A32)	1994/03	2000/08
MAXIMA / MAXIMA QX IV Station Wagon (A32)	1997/10	2000/12
MAXIMA / MAXIMA QX V (A33)	1999/04	2003/11



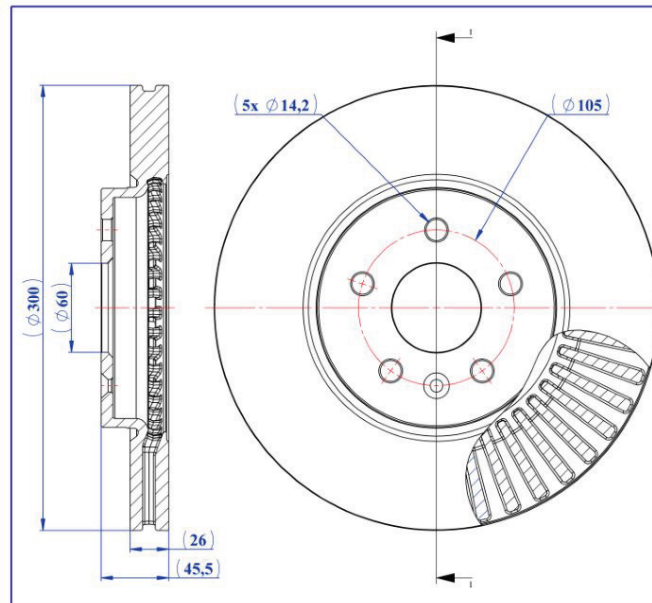
## BRAKE DISC

- Front Axle
- Vented

- Safety
- Performance
- OEM Standarts
- AYD Quality

OE:  
13502060

**10-50995**



**AYD**<sup>®</sup>  
AUTOMOTIVE INDUSTRY

AYD NO  
**10-50995**

MATERIAL  
**TYPE-1**

WEIGHT  
**8,55 KG**

BALANCING  
**100 %**



### Technical Specifications:

Diameter (mm)	Height (mm)	Brake Disc Thickness (mm)	Min. Thickness (mm)	Centering Diameter (mm)	Bolt Hole Circle (mm)	Num. of Holes
300	45,5	26	23	60	105	5+1

## OPEL

MODEL	START Y.	END Y.
MOKKA / MOKKA X (J13)	2012/06	

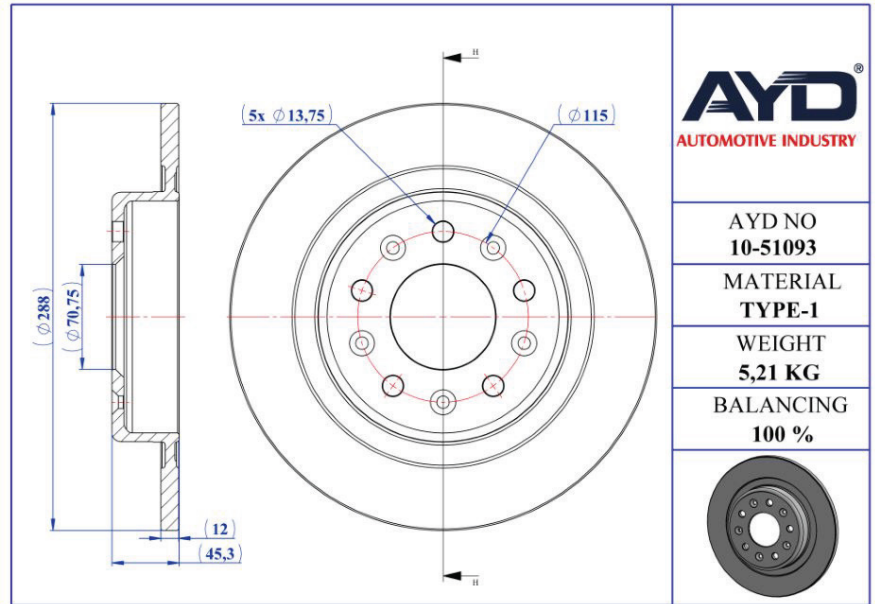


## BRAKE DISC

- Rear Axle
- Solid

- Safety
- Performance
- OEM Standards
- AYD Quality

OE:  
13517854  
13583682  
13517857



**AYD**<sup>®</sup>  
AUTOMOTIVE INDUSTRY

AYD NO  
**10-51093**

MATERIAL  
**TYPE-1**

WEIGHT  
**5,21 KG**

BALANCING  
**100 %**



**10-51093**

### Technical Specifications:

Diameter (mm)	Height (mm)	Brake Disc Thickness (mm)	Min. Thickness (mm)	Centering Diameter (mm)	Bolt Hole Circle (mm)	Num. of Holes
288	45,3	12	10	70,75	115	5+5

## OPEL

MODEL	START Y.	END Y.
INSIGNIA B Country Tourer (Z18)	2017/06	
INSIGNIA B Grand Sport (Z18)	2017/03	
INSIGNIA B Sports Tourer (Z18)	2017/03	
INSIGNIA B Sports Tourer Combi Van (Z18)	2017/03	



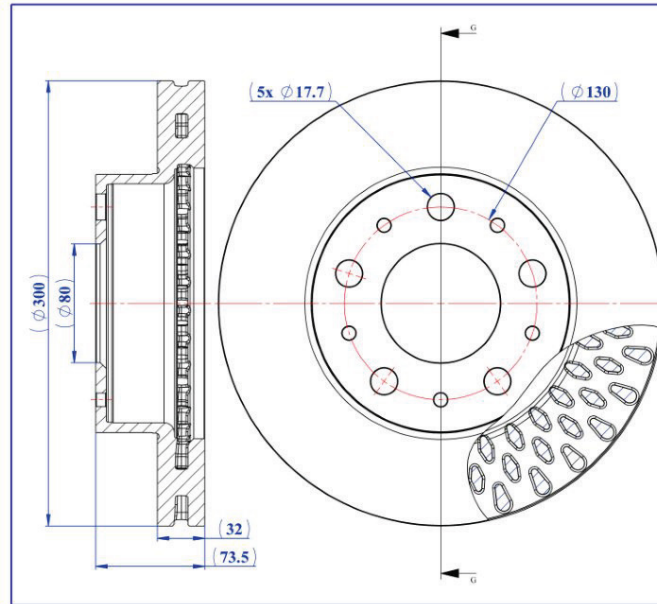


## BRAKE DISC

- Front Axle
- Vented

- Safety
- Performance
- OEM Standarts
- AYD Quality

OE:  
68195026AB  
1612435380  
1612435480



**AYD**<sup>®</sup>  
AUTOMOTIVE INDUSTRY

AYD NO  
**10-50994**

MATERIAL  
**TYPE-1**

WEIGHT  
**10,35 KG**

BALANCING  
**100 %**



**10-50994**

### Technical Specifications:

Diameter (mm)	Height (mm)	Brake Disc Thickness (mm)	Min. Thickness (mm)	Centering Diameter (mm)	Bolt Hole Circle (mm)	Num. of Holes
300	73,5	32	30	80	130	5+5

## PEUGEOT

MODEL	START Y.	END Y.
BOXER Bus	2005/09	
BOXER Bus (244, Z_)	2001/12	
BOXER Platform/Chassis	2006/04	
BOXER Van	2006/04	
BOXER Van (244)	2001/12	



## BRAKE DISC

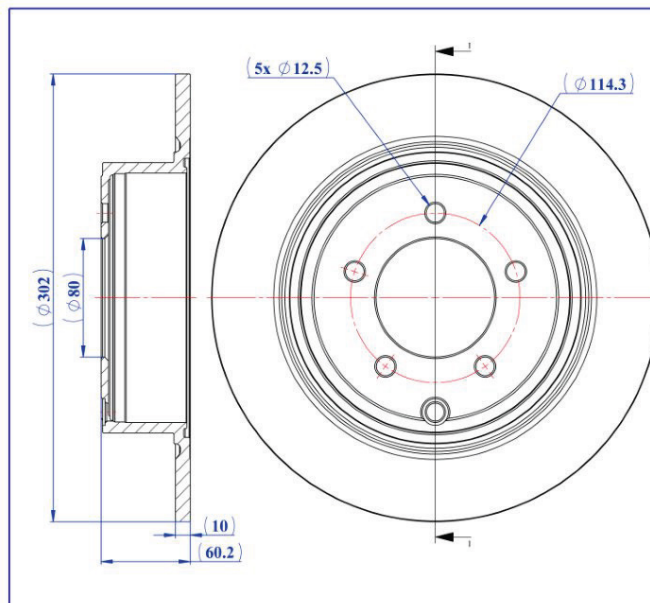
- Rear Axle
- Solid

- Safety
- Performance
- OEM Standarts
- AYD Quality



OE:  
4743999AA  
1606292080

**10-50997**



**AYD**  
AUTOMOTIVE INDUSTRY

AYD NO  
**10-50997**

MATERIAL  
**TYPE-1**

WEIGHT  
**5,38 KG**

BALANCING  
**100 %**



### Technical Specifications:

Diameter (mm)	Height (mm)	Brake Disc Thickness (mm)	Min. Thickness (mm)	Centering Diameter (mm)	Bolt Hole Circle (mm)	Num. of Holes
302	60,2	10	8,4	80	114,3	5+1

## PEUGEOT

MODEL	START Y.	END Y.
4007 (VU_, VV_)	2007/02	2013/03
4008	2012/05	



## BRAKE DISC

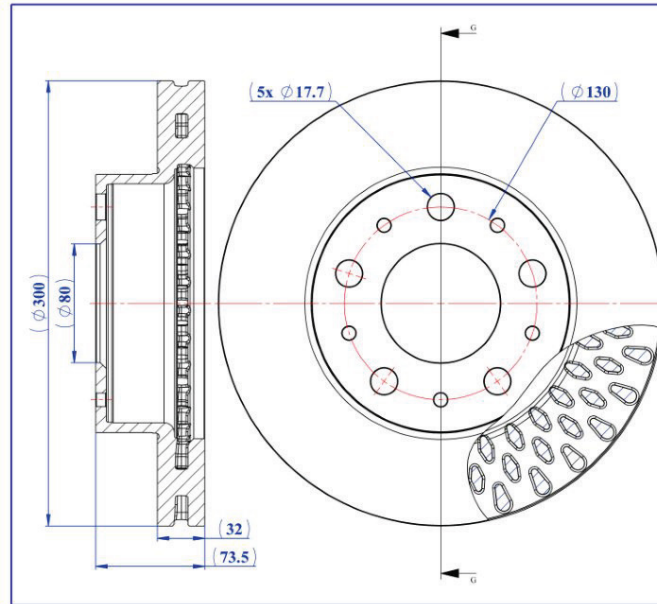
- Front Axle
- Vented

- Safety
- Performance
- OEM Standards
- AYD Quality



OE:  
68195026AA

**10-50994**



**AYD**  
AUTOMOTIVE INDUSTRY

AYD NO  
**10-50994**

MATERIAL  
**TYPE-1**

WEIGHT  
**10,35 KG**

BALANCING  
**100 %**



### Technical Specifications:

Diameter (mm)	Height (mm)	Brake Disc Thickness (mm)	Min. Thickness (mm)	Centering Diameter (mm)	Bolt Hole Circle (mm)	Num. of Holes
300	73,5	32	30	80	130	5+5

## RAM

MODEL	START Y.	END Y.
PROMASTER 1500 Van (VF1)	2013/09	
PROMASTER 2500 Cab & Chassis	2013/09	
PROMASTER 2500 Standard Cargo Van (VF2)	2013/09	
PROMASTER 3500 Cab & Chassis (VF3)	2013/09	
PROMASTER 3500 Cutaway Van (VF3)	2013/09	
PROMASTER 3500 Extended Cargo Van	2016/08	
PROMASTER 3500 Standard Cargo Van (VF3)	2013/09	

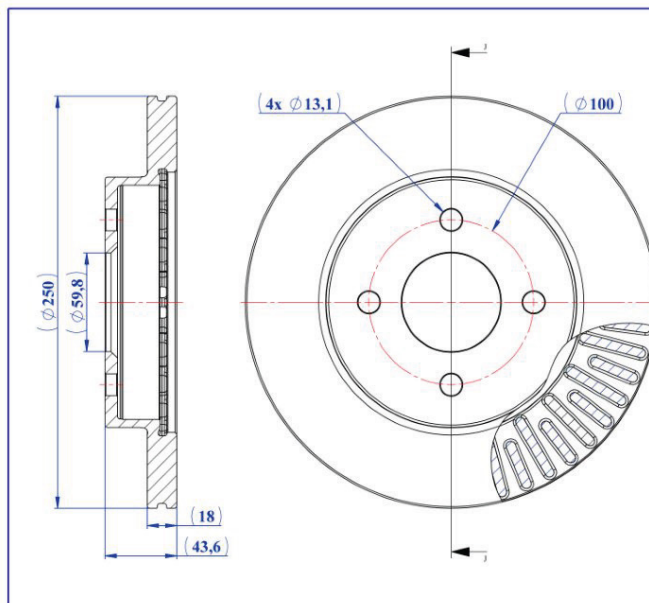
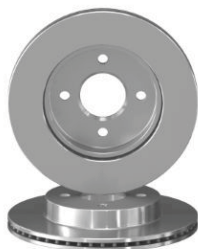


## BRAKE DISC

- Front Axle
- Vented

- Safety
- Performance
- OEM Standarts
- AYD Quality

OE:  
18022049  
21011105  
21012664



**AYD**<sup>®</sup>  
AUTOMOTIVE INDUSTRY

AYD NO  
**10-51016**

MATERIAL  
**TYPE-1**

WEIGHT  
**4,38 KG**

BALANCING  
**100 %**



**10-51016**

### Technical Specifications:

Diameter (mm)	Height (mm)	Brake Disc Thickness (mm)	Min. Thickness (mm)	Centering Diameter (mm)	Bolt Hole Circle (mm)	Num. of Holes
250	43,6	18	15,8	59,8	100	4

## SATURN

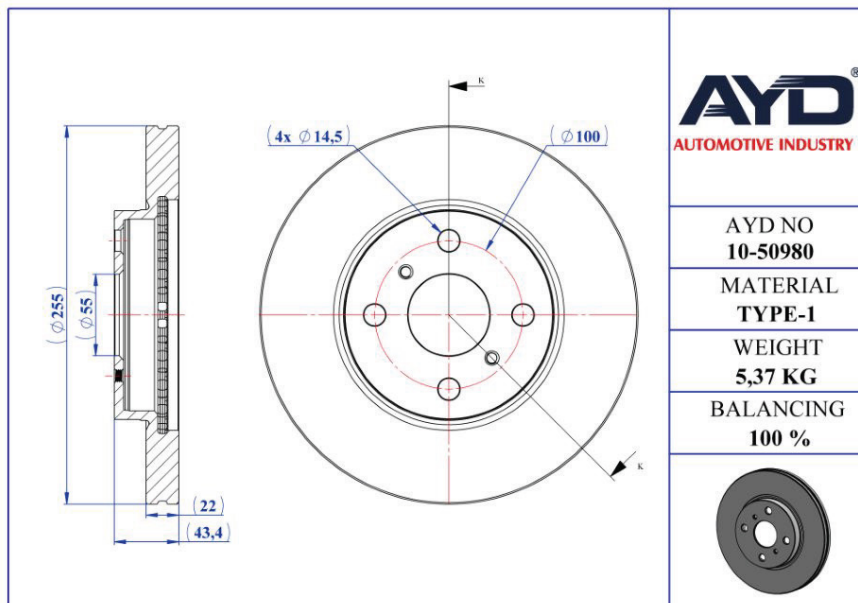
MODEL	START Y.	END Y.
SC Coupe	1996/09	2002/12
SC Coupe	1990/09	1996/12
SL Saloon	1996/09	2002/12
SL Saloon	1990/09	1996/12
SW Estate	1996/09	2001/12
SW Estate	1992/09	1996/12



## BRAKE DISC

- Front Axle
- Vented

- Safety
- Performance
- OEM Standarts
- AYD Quality



OE:  
4351252080

**10-50980**

### Technical Specifications:

Diameter (mm)	Height (mm)	Brake Disc Thickness (mm)	Min. Thickness (mm)	Centering Diameter (mm)	Bolt Hole Circle (mm)	Num. of Holes
255	43,4	22	20	55	100	4+2

## SCION

MODEL	START Y.	END Y.
xA Hatchback	2003/09	2006/12
xB MPV	2003/09	2006/12

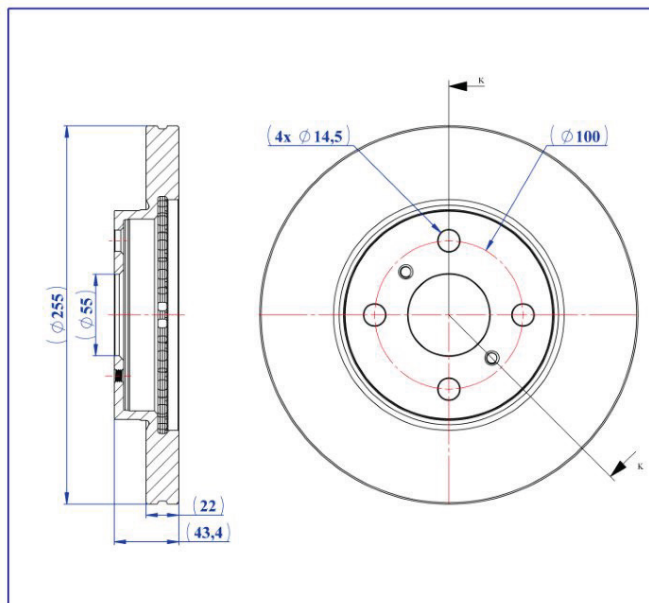




## BRAKE DISC

- Front Axle
- Vented

- Safety
- Performance
- OEM Standarts
- AYD Quality



**AYD**<sup>®</sup>  
AUTOMOTIVE INDUSTRY

AYD NO  
**10-50980**

MATERIAL  
**TYPE-1**

WEIGHT  
**5,37 KG**

BALANCING  
**100 %**



OE:  
4351252080

**10-50980**

### Technical Specifications:

Diameter (mm)	Height (mm)	Brake Disc Thickness (mm)	Min. Thickness (mm)	Centering Diameter (mm)	Bolt Hole Circle (mm)	Num. of Holes
255	43,4	22	20	55	100	4+2

## TOYOTA

MODEL	START Y.	END Y.
bB I (NCP3_)	2000/01	2005/12
IST (NCP6_)	2002/04	2007/07
PORTE I (_NNP1_)	2004/07	2012/07
RAUM MPV (NCZ2_)	2003/05	

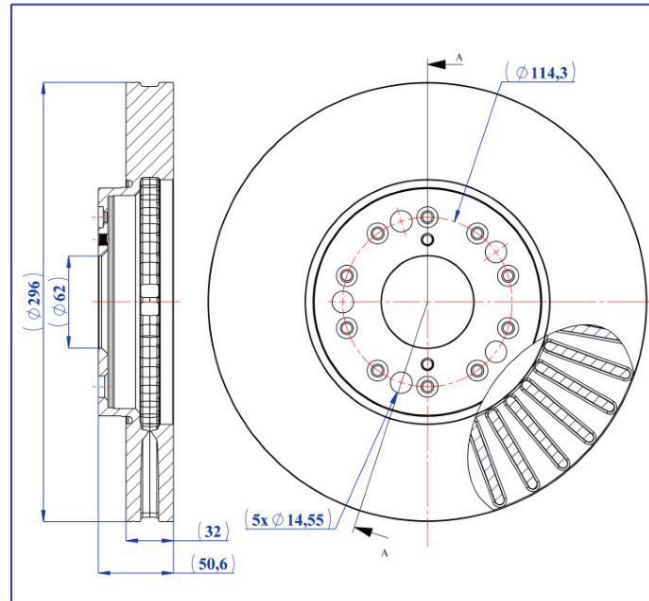


## BRAKE DISC

- Front Axle
- Vented

- Safety
- Performance
- OEM Standards
- AYD Quality

OE:  
4351224071  
4351230180  
4351230181



AYD NO  
**10-50991**

MATERIAL  
**TYPE-1**

WEIGHT  
**9,12 KG**

BALANCING  
**100 %**



**10-50991**

### Technical Specifications:

Diameter (mm)	Height (mm)	Brake Disc Thickness (mm)	Min. Thickness (mm)	Centering Diameter (mm)	Bolt Hole Circle (mm)	Num. of Holes
296	50,6	32	30	62	114,3	5+12

## TOYOTA

MODEL	START Y.	END Y.
ALTEZZA (_E1_)	1999/01	2005/11
ALTEZZA GITA Estate (_XE1_)	1998/10	2005/12
ARISTO (_S14_)	1990/10	1997/07
ARISTO (_S16_)	1997/08	2004/10
CELSIOR (UCF2_)	1993/05	2000/08
CELSIOR (UCF3_)	2000/09	2006/08
CHASER (_X10_)	1996/09	2001/05
CROWN (_S17_)	1999/09	2004/05
MARK II IX Saloon (_X11_)	2000/10	2004/11
MARK II VI Saloon	1988/04	1996/09
MARK II VIII Saloon (_X10_)	1996/09	2001/09



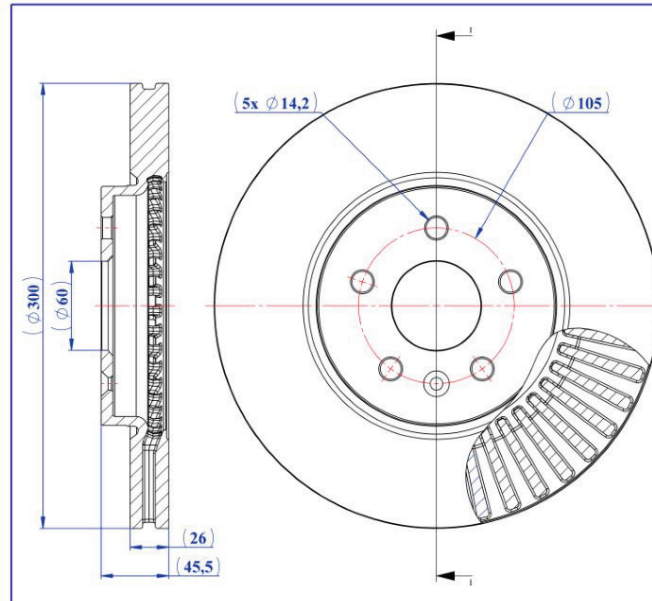
## BRAKE DISC

- Front Axle
- Vented

- Safety
- Performance
- OEM Standarts
- AYD Quality

OE:  
13502060

**10-50995**



AYD NO  
**10-50995**

MATERIAL  
**TYPE-1**

WEIGHT  
**8,55 KG**

BALANCING  
**100 %**



### Technical Specifications:

Diameter (mm)	Height (mm)	Brake Disc Thickness (mm)	Min. Thickness (mm)	Centering Diameter (mm)	Bolt Hole Circle (mm)	Num. of Holes
300	45,5	26	23	60	105	5+1

## VAUXHALL

MODEL	START Y.	END Y.
MOKKA / MOKKA X (J13)	2012/06	

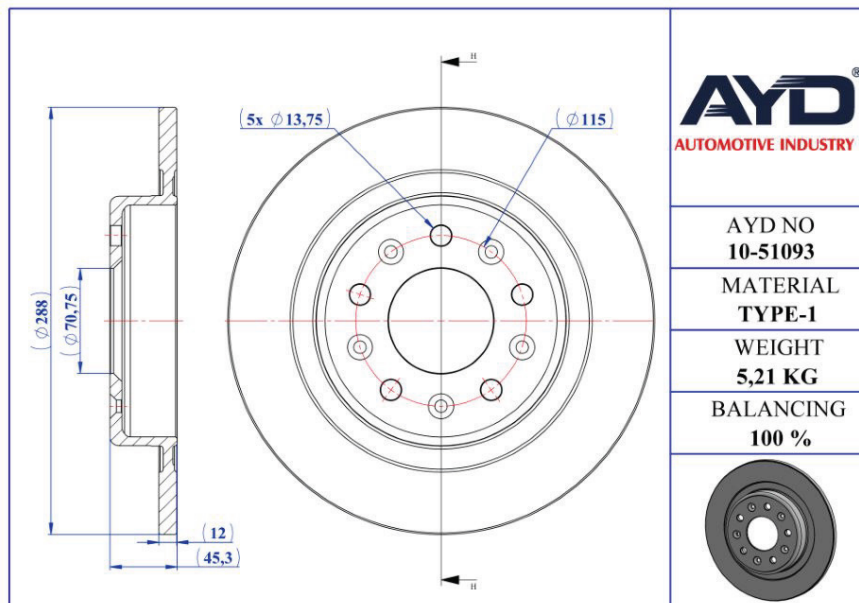


## BRAKE DISC

- Rear Axle
- Solid

- Safety
- Performance
- OEM Standarts
- AYD Quality

OE:  
13517857  
13521008



**AYD**<sup>®</sup>  
AUTOMOTIVE INDUSTRY

AYD NO  
**10-51093**

MATERIAL  
**TYPE-1**

WEIGHT  
**5,21 KG**

BALANCING  
**100 %**



**10-51093**

### Technical Specifications:

Diameter (mm)	Height (mm)	Brake Disc Thickness (mm)	Min. Thickness (mm)	Centering Diameter (mm)	Bolt Hole Circle (mm)	Num. of Holes
288	45,3	12	10	70,75	115	5+5

## VAUXHALL

MODEL	START Y.	END Y.
INSIGNIA Mk II (B) Country Tourer (Z18)	2017/03	
INSIGNIA Mk II (B) Hatchback (Z18)	2017/03	
INSIGNIA Mk II (B) Sports Tourer (Z18)	2017/03	

