

new to range

SPEED TO MARKET SECOND TO NONE

AYD[®]
AUTOMOTIVE INDUSTRY



BRAKING

THE DIFFERENCE

SAFETY

PERFORMANCE

OEM Standards

AYD QUALITY

www.aydtr.com



JUNE 2023

INDEX

BRAKE DISC

BMW	3-4
BUICK	5
CADILLAC	6
CHEVROLET	7
CHRYSLER	8
DAIHATSU	9
FIAT	10
FORD	11
HYUNDAI	12-13
MAZDA	14
MERCEDES BENZ	15-19
MITSUBISHI	20-23
NISSAN	24
OPEL	25
RENAULT	26-27
SEAT	28
SSANYONG	29
SUBARU	30
SUZUKI	31
TOYOTA	32-34
VAUXHALL	35
VOLVO	36-38
VOLKSWAGEN	39

BRAKE DRUM

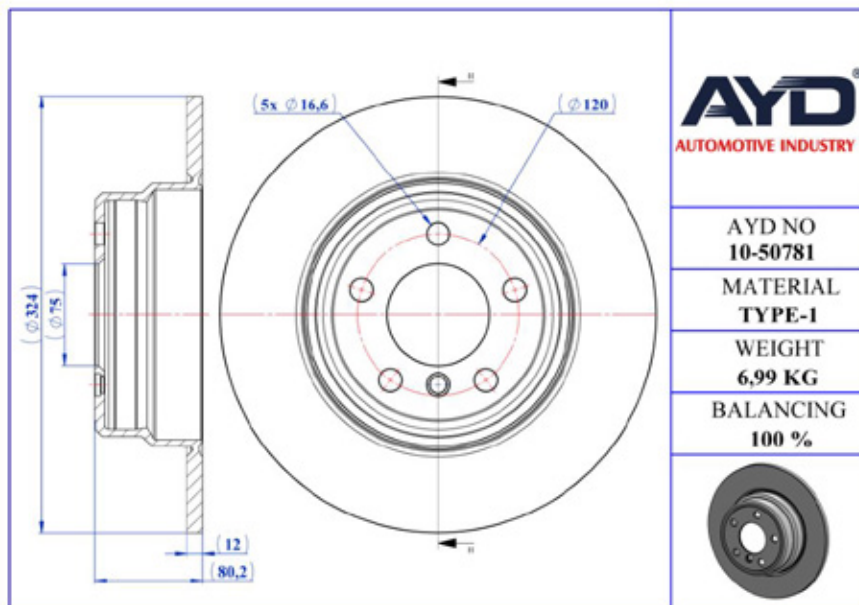
VOLKSWAGEN	40
-------------------------	-----------

BRAKE DISC

- Rear Axle
- Solid

- Safety
- Performance
- OEM Standarts
- AYD Quality

OE:
34216859678
34211164911
34216765458



AYD
AUTOMOTIVE INDUSTRY

AYD NO
10-50781

MATERIAL
TYPE-1

WEIGHT
6,99 KG

BALANCING
100 %



10-50781

Technical Specifications:

Diameter (mm)	Height (mm)	Brake Disc Thickness (mm)	Min. Thickness (mm)	Centering Diameter (mm)	Bolt Hole Circle (mm)	Num. of Holes
324	80.2	12	10.4	75	120	5+1

BMW

MODEL	START Y.	END Y.
X5 (E53)	2000/01	2006/12

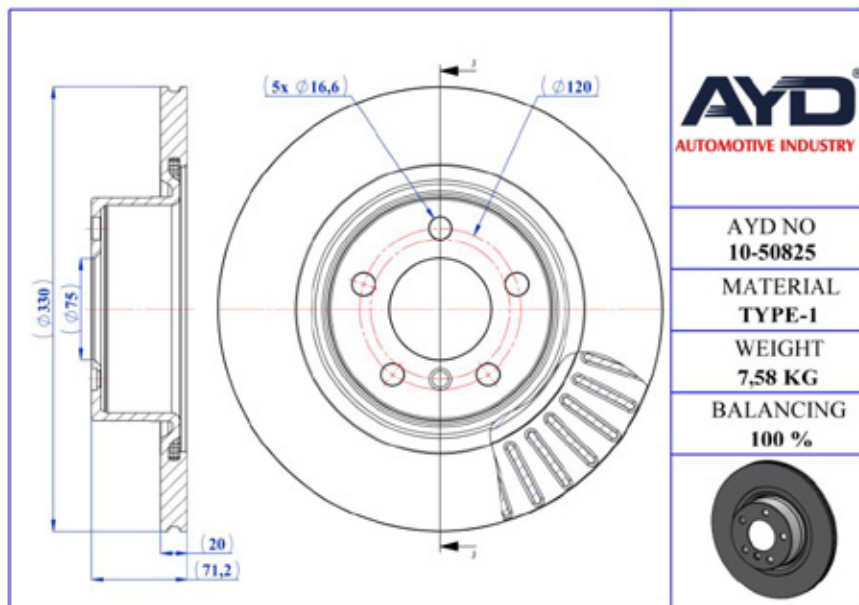


BRAKE DISC

- Rear Axle
- Vented

- Safety
- Performance
- OEM Standarts
- AYD Quality

OE:
34206868936
34206790362
34206886482



AYD
AUTOMOTIVE INDUSTRY

AYD NO
10-50825

MATERIAL
TYPE-1

WEIGHT
7,58 KG

BALANCING
100 %



10-50825

Technical Specifications:

Diameter (mm)	Height (mm)	Brake Disc Thickness (mm)	Min. Thickness (mm)	Centering Diameter (mm)	Bolt Hole Circle (mm)	Num. of Holes
330	71.2	20	18.4	75	120	5+1

BMW

MODEL	START Y.	END Y.
X3 (F25)	2010/09	2017/08
X4 (F26)	2013/05	2018/03

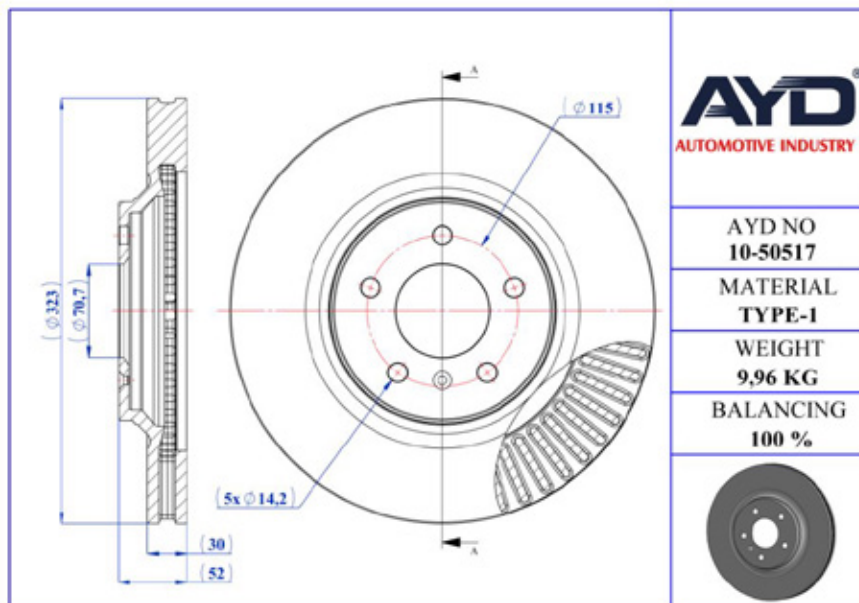
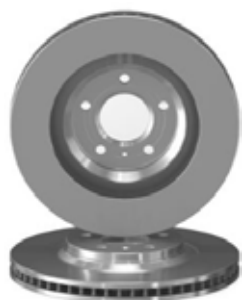


BRAKE DISC

- Front Axle
- Vented

- Safety
- Performance
- OEM Standarts
- AYD Quality

OE:
15793340
23127614



AYD
AUTOMOTIVE INDUSTRY

AYD NO
10-50517

MATERIAL
TYPE-1

WEIGHT
9,96 KG

BALANCING
100 %



10-50517

Technical Specifications:

Diameter (mm)	Height (mm)	Brake Disc Thickness (mm)	Min. Thickness (mm)	Centering Diameter (mm)	Bolt Hole Circle (mm)	Num. of Holes
323	52	30	28,6	70,7	115	5+1

BUICK

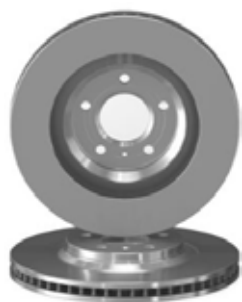
MODEL	START Y.	END Y.
LA CROSSE Saloon	2004/09	2009/12
LUCERNE Saloon	2005/09	2011/12



BRAKE DISC

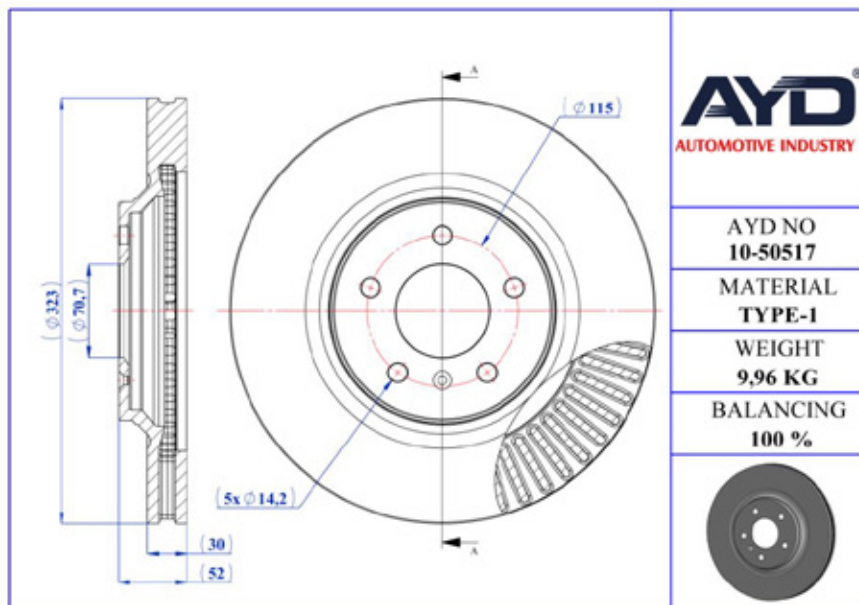
- Front Axle
- Vented

- Safety
- Performance
- OEM Standarts
- AYD Quality



OE:
19303806

10-50517



AYD
AUTOMOTIVE INDUSTRY

AYD NO
10-50517

MATERIAL
TYPE-1

WEIGHT
9,96 KG

BALANCING
100 %



Technical Specifications:

Diameter (mm)	Height (mm)	Brake Disc Thickness (mm)	Min. Thickness (mm)	Centering Diameter (mm)	Bolt Hole Circle (mm)	Num. of Holes
323	52	30	28,6	70,7	115	5+1

CADILLAC

MODEL	START Y.	END Y.
DTS	2005/06	2011/12

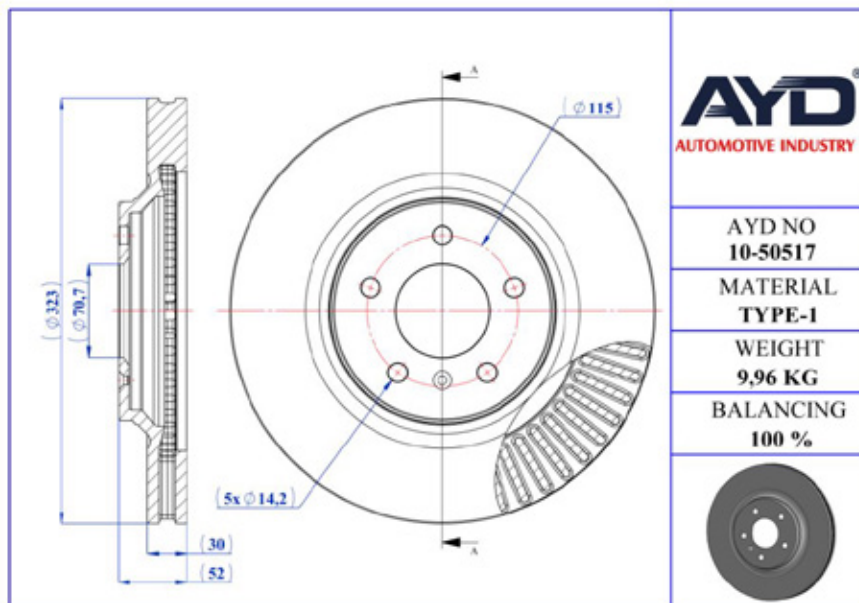
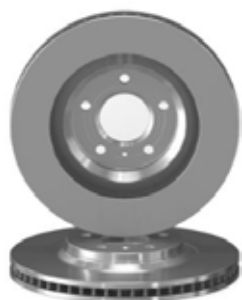


BRAKE DISC

- Front Axle
- Vented

- Safety
- Performance
- OEM Standarts
- AYD Quality

OE:
20880099
23127614



AYD
AUTOMOTIVE INDUSTRY

AYD NO
10-50517

MATERIAL
TYPE-1

WEIGHT
9,96 KG

BALANCING
100 %



10-50517

Technical Specifications:

Diameter (mm)	Height (mm)	Brake Disc Thickness (mm)	Min. Thickness (mm)	Centering Diameter (mm)	Bolt Hole Circle (mm)	Num. of Holes
323	52	30	28,6	70,7	115	5+1

CHEVROLET

MODEL	START Y.	END Y.
IMPALA Saloon	2013/01	



BRAKE DISC

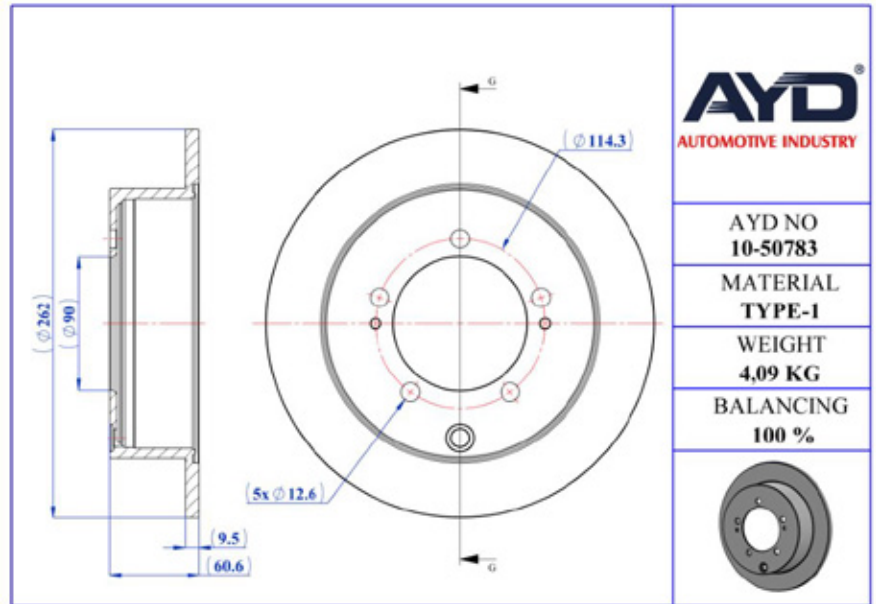
- Rear Axle
- Solid



- Safety
- Performance
- OEM Standards
- AYD Quality

OE:
MB895200

10-50783



Technical Specifications:

Diameter (mm)	Height (mm)	Brake Disc Thickness (mm)	Min. Thickness (mm)	Centering Diameter (mm)	Bolt Hole Circle (mm)	Num. of Holes
262	60.6	9.5	8.4	90	114.3	5+3

CHRYSLER

MODEL	START Y.	END Y.
SEBRING (JR)	2000/09	2007/06
SEBRING Convertible (JR)	2001/04	2007/06
SEBRING Coupe (FJ)	1995/05	2000/09
SEBRING Saloon (FJ)	1995/01	2000/12

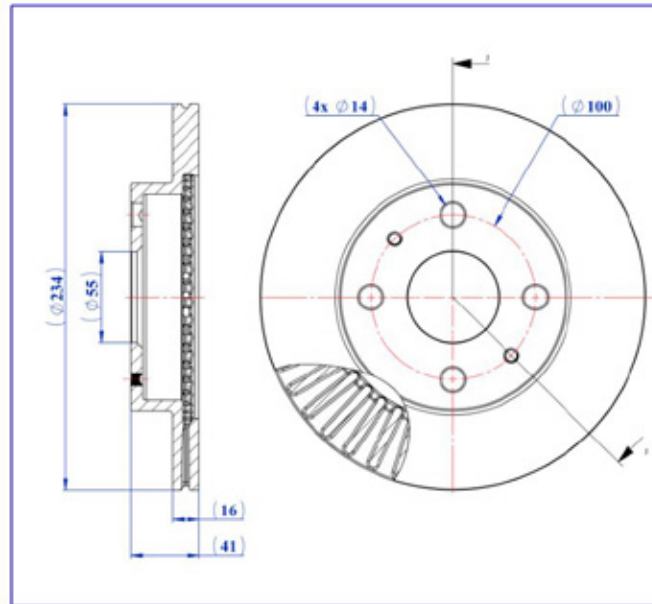


BRAKE DISC

- Front Axle
- Vented

- Safety
- Performance
- OEM Standarts
- AYD Quality

OE:
4351297202
4351297202000
4351297201



AYD
AUTOMOTIVE INDUSTRY

AYD NO
10-50894

MATERIAL
TYPE-1

WEIGHT
3,51 KG

BALANCING
100 %



10-50894

Technical Specifications:

Diameter (mm)	Height (mm)	Brake Disc Thickness (mm)	Min. Thickness (mm)	Centering Diameter (mm)	Bolt Hole Circle (mm)	Num. of Holes
234	41	16	14.5	55	100	4+2

DAIHATSU

MODEL	START Y.	END Y.
BOON LUMINAS	2008/12	2012/02
CUORE VI (L251, L250_, L260_)	2003/03	
CUORE VII (L275_, L285_, L276_)	2006/12	
MAX (L95_, L96_)	2000/06	2006/12
MIRA GINO I	1998/08	2003/09
MOVE (L150_, L160_)	2002/10	2007/12
MOVE (L175_, L185_)	2006/10	2010/06
MOVE (L6_)	1994/06	1999/11
MOVE (L9_)	1997/04	2002/09
MOVE CONTE / CONTE CUSTOM (L575, L585)	2008/08	
NAKED	1999/11	2005/02

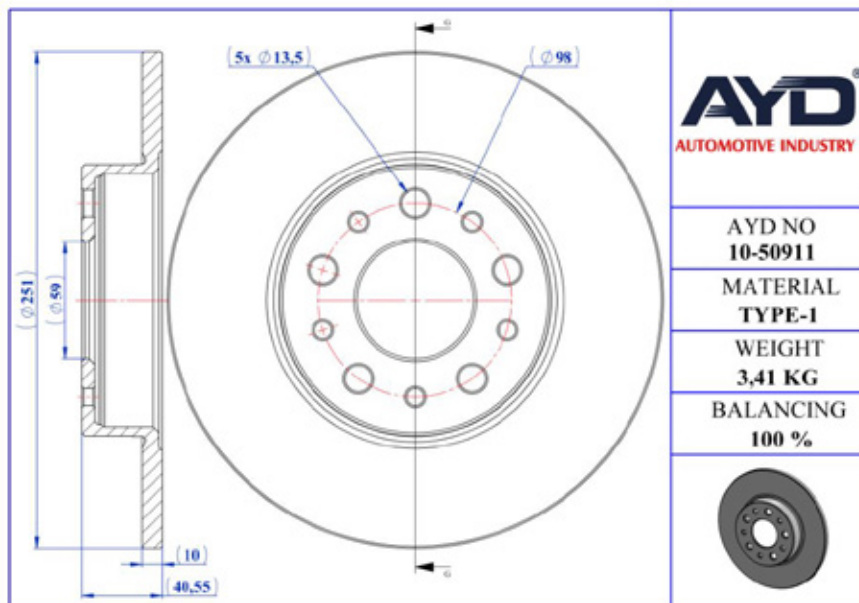


BRAKE DISC

- Rear Axle
- Solid

- Safety
- Performance
- OEM Standards
- AYD Quality

OE:
51885409
51808471
52048984



AYD
AUTOMOTIVE INDUSTRY

AYD NO
10-50911

MATERIAL
TYPE-1

WEIGHT
3,41 KG

BALANCING
100 %



10-50911

Technical Specifications:

Diameter (mm)	Height (mm)	Brake Disc Thickness (mm)	Min. Thickness (mm)	Centering Diameter (mm)	Bolt Hole Circle (mm)	Num. of Holes
251	40.55	10	8	59	98	5+5

FIAT

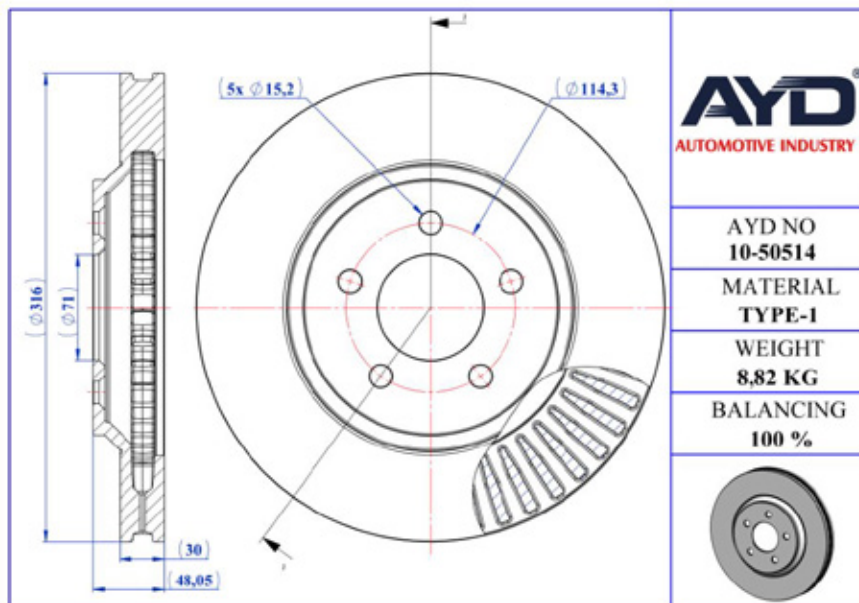
MODEL	START Y.	END Y.
500L (351_, 352_)	2012/09	
TIPO Estate (356_, 357_)	2016/03	
TIPO Hatchback (356_, 357_)	2016/03	
TIPO Saloon (356_, 357_)	2015/10	



BRAKE DISC

- Front Axle
- Vented

- Safety
- Performance
- OEM Standards
- AYD Quality



OE:
4R3Z1125BA

10-50514

Technical Specifications:

Diameter (mm)	Height (mm)	Brake Disc Thickness (mm)	Min. Thickness (mm)	Centering Diameter (mm)	Bolt Hole Circle (mm)	Num. of Holes
316	48,05	30	28,4	71	114,3	5

FORD USA

MODEL	START Y.	END Y.
MUSTANG Convertible	2005/09	
MUSTANG Convertible (C)	1993/09	2004/12
MUSTANG Coupe (C)	1993/09	2004/12

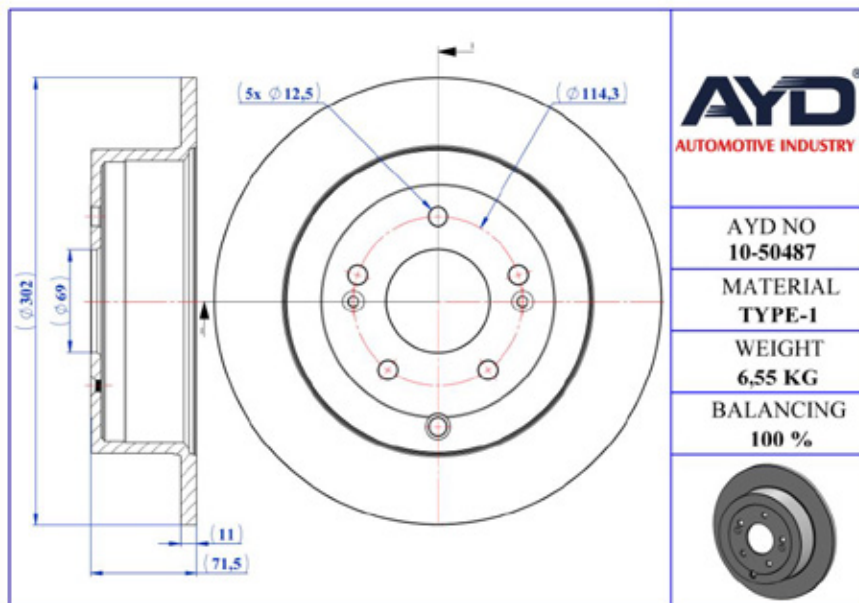


BRAKE DISC

- Rear Axle
- Solid

- Safety
- Performance
- OEM Standards
- AYD Quality

OE:
584112B000
584110W000



AYD
AUTOMOTIVE INDUSTRY

AYD NO
10-50487

MATERIAL
TYPE-1

WEIGHT
6,55 KG

BALANCING
100 %



10-50487

Technical Specifications:

Diameter (mm)	Height (mm)	Brake Disc Thickness (mm)	Min. Thickness (mm)	Centering Diameter (mm)	Bolt Hole Circle (mm)	Num. of Holes
302	71.5	11	9.4	69	114.3	5+3

HYUNDAI

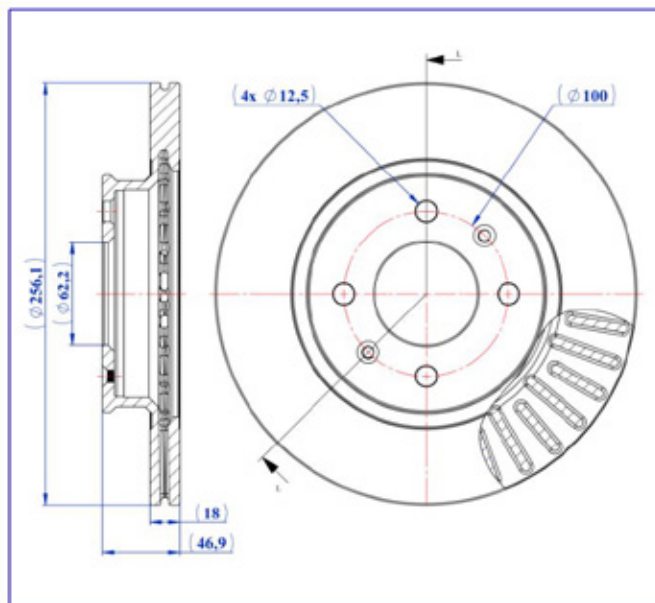
MODEL	START Y.	END Y.
SANTA FÉ I (SM)	2000/11	2006/03
SANTA FÉ II (CM)	2005/01	2015/03
SANTA FÉ II SUV Van (CM)	2005/10	2015/03



BRAKE DISC

- Front Axle
- Vented

- Safety
- Performance
- OEM Standarts
- AYD Quality



AYD NO
10-50909

MATERIAL
TYPE-1

WEIGHT
4,58 KG

BALANCING
100 %



OE:
517121J500

10-50909

Technical Specifications:

Diameter (mm)	Height (mm)	Brake Disc Thickness (mm)	Min. Thickness (mm)	Centering Diameter (mm)	Bolt Hole Circle (mm)	Num. of Holes
256.1	46.9	18	16	62.2	100	4+2

HYUNDAI

MODEL	START Y.	END Y.
i10 I (PA)	2007/10	
i20 I (PB, PBT)	2008/08	

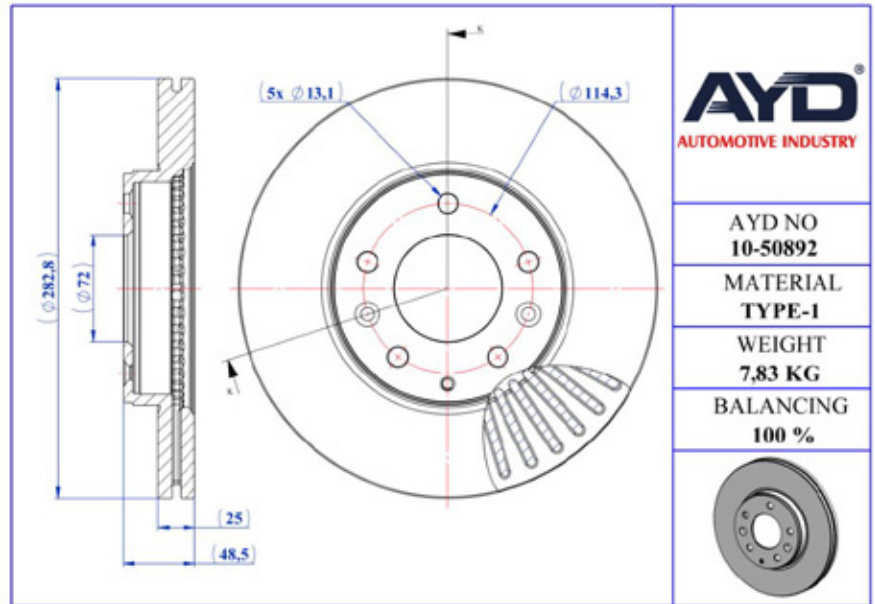


BRAKE DISC

- Front Axle
- Vented

- Safety
- Performance
- OEM Standards
- AYD Quality

OE:
GJ6Y3325XA
G26Y3325XA
GK2Y3325XE



AYD
AUTOMOTIVE INDUSTRY

AYD NO
10-50892

MATERIAL
TYPE-1

WEIGHT
7.83 KG

BALANCING
100 %



10-50892

Technical Specifications:

Diameter (mm)	Height (mm)	Brake Disc Thickness (mm)	Min. Thickness (mm)	Centering Diameter (mm)	Bolt Hole Circle (mm)	Num. of Holes
282.8	48.5	25	23	72	114.3	5+3

MAZDA

MODEL	START Y.	END Y.
6 Hatchback (GG)	2002/08	2008/12
6 Saloon (GG)	2002/06	2008/12
6 Station Wagon (GY)	2002/01	2008/02

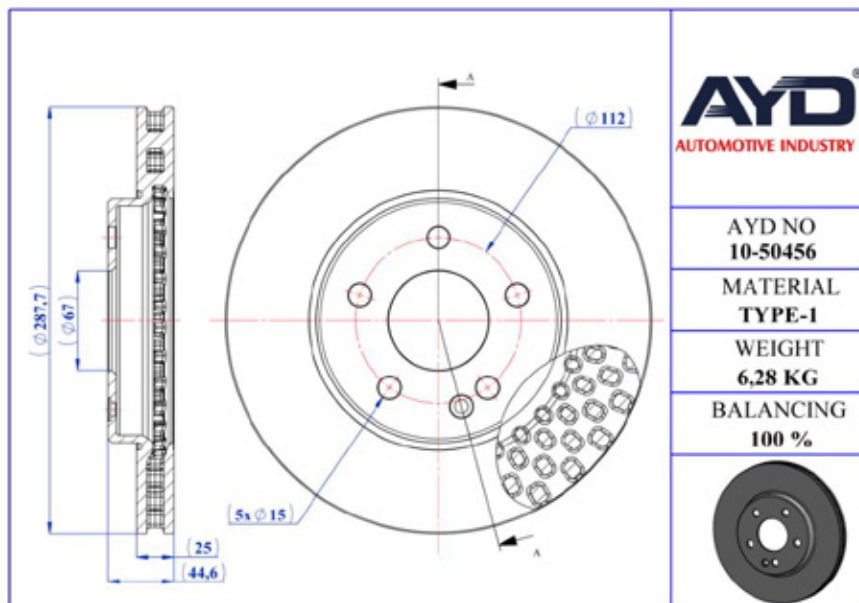


BRAKE DISC

- Front Axle
- Vented

- Safety
- Performance
- OEM Standarts
- AYD Quality

OE:
1694211112
1694210212
A1694211112



AYD
AUTOMOTIVE INDUSTRY

AYD NO
10-50456

MATERIAL
TYPE-1

WEIGHT
6,28 KG

BALANCING
100 %



10-50456

Technical Specifications:

Diameter (mm)	Height (mm)	Brake Disc Thickness (mm)	Min. Thickness (mm)	Centering Diameter (mm)	Bolt Hole Circle (mm)	Num. of Holes
287.7	44.6	25	22	67	112	5+1

MERCEDES-BENZ

MODEL	START Y.	END Y.
A-CLASS (W169)	2004/04	2012/06
B-CLASS Sports Tourer (W245)	2005/03	2011/11

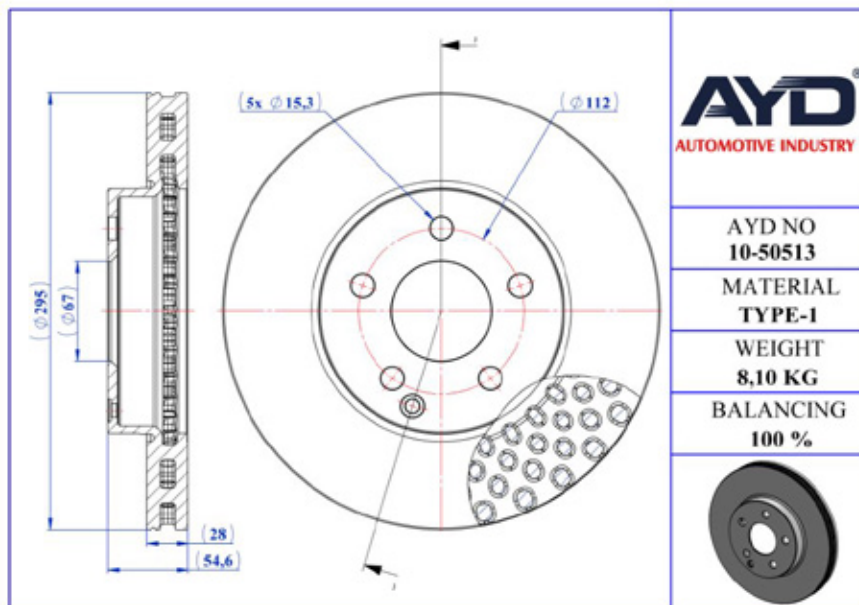


BRAKE DISC

- Front Axle
- Vented

- Safety
- Performance
- OEM Standards
- AYD Quality

OE:
A2114210812
A211421081264
A2114210712



AYD
AUTOMOTIVE INDUSTRY

AYD NO
10-50513

MATERIAL
TYPE-1

WEIGHT
8,10 KG

BALANCING
100 %



10-50513

Technical Specifications:

Diameter (mm)	Height (mm)	Brake Disc Thickness (mm)	Min. Thickness (mm)	Centering Diameter (mm)	Bolt Hole Circle (mm)	Num. of Holes
295	54,6	28	25,4	67	112	5+1

MERCEDES-BENZ

MODEL	START Y.	END Y.
E-CLASS (W211)	2002/03	2009/03
E-CLASS Platform/Chassis (VF211)	2003/03	2009/07
E-CLASS T-Model (S211)	2003/02	2009/07

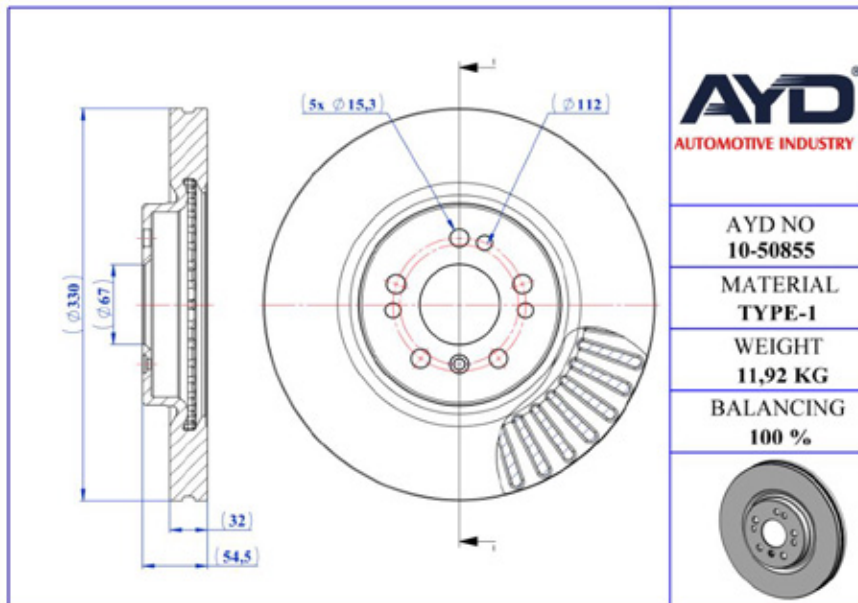


BRAKE DISC

- Front Axle
- Vented

- Safety
- Performance
- OEM Standarts
- AYD Quality

OE:
1644211312
1644210412



AYD
AUTOMOTIVE INDUSTRY

AYD NO
10-50855

MATERIAL
TYPE-1

WEIGHT
11,92 KG

BALANCING
100 %



10-50855

Technical Specifications:

Diameter (mm)	Height (mm)	Brake Disc Thickness (mm)	Min. Thickness (mm)	Centering Diameter (mm)	Bolt Hole Circle (mm)	Num. of Holes
330	54.5	32	29.4	67	112	5+4

MERCEDES-BENZ

MODEL	START Y.	END Y.
M-CLASS (W164)	2005/02	2012/12
R-CLASS (W251, V251)	2005/08	2017/10



BRAKE DISC

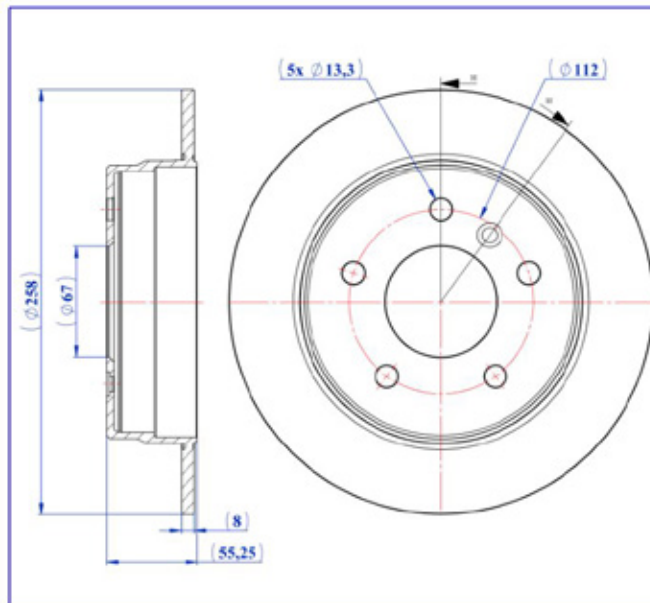
- Rear Axle
- Solid



- Safety
- Performance
- OEM Standarts
- AYD Quality

OE:
1684230212
168423021264

10-50873



AYD
AUTOMOTIVE INDUSTRY

AYD NO
10-50873

MATERIAL
TYPE-1

WEIGHT
3,06 KG

BALANCING
100 %



Technical Specifications:

Diameter (mm)	Height (mm)	Brake Disc Thickness (mm)	Min. Thickness (mm)	Centering Diameter (mm)	Bolt Hole Circle (mm)	Num. of Holes
258	55.25	8	7	67	112	5+1

MERCEDES-BENZ

MODEL	START Y.	END Y.
A-CLASS (W168)	1997/07	2005/08
VANEO (414)	2002/02	2005/07



BRAKE DISC

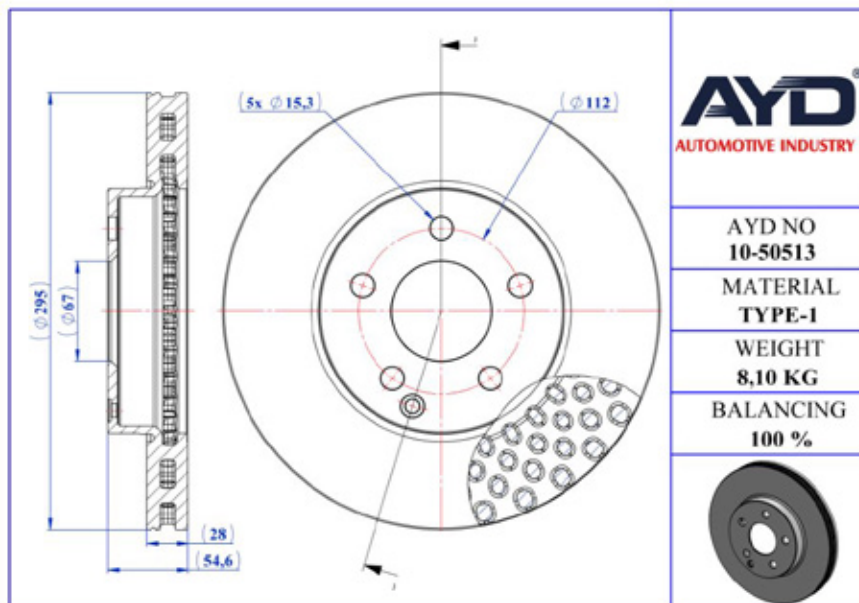
- Front Axle
- Vented

- Safety
- Performance
- OEM Standarts
- AYD Quality



OE:
2214210712

10-50513



AYD
AUTOMOTIVE INDUSTRY

AYD NO
10-50513

MATERIAL
TYPE-1

WEIGHT
8,10 KG

BALANCING
100 %



Technical Specifications:

Diameter (mm)	Height (mm)	Brake Disc Thickness (mm)	Min. Thickness (mm)	Centering Diameter (mm)	Bolt Hole Circle (mm)	Num. of Holes
295	54,6	28	25,4	67	112	5+1

MERCEDES-BENZ (BBDC)

MODEL	START Y.	END Y.
E-CLASS (W211)	2005/11	



BRAKE DISC

- Rear Axle
- Solid

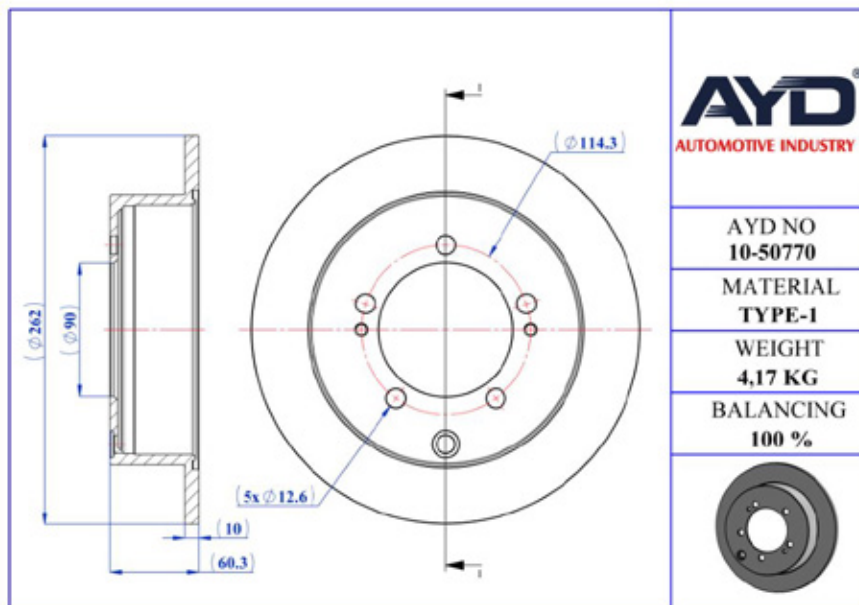


- Safety
- Performance
- OEM Standards
- AYD Quality



OE:
MB928716

10-50770



AYD
AUTOMOTIVE INDUSTRY

AYD NO
10-50770

MATERIAL
TYPE-1

WEIGHT
4,17 KG

BALANCING
100 %



Technical Specifications:

Diameter (mm)	Height (mm)	Brake Disc Thickness (mm)	Min. Thickness (mm)	Centering Diameter (mm)	Bolt Hole Circle (mm)	Num. of Holes
262	60.3	10	8.4	90	114.3	5+3

MITSUBISHI

MODEL	START Y.	END Y.
ECLIPSE II (D3_A)	1994/04	1999/04
LANCER CARGO Estate Van (CS_W)	2003/09	2008/06
LANCER VII (CS_A, CT_A)	2000/03	2013/12
LANCER VII Estate (CS_W, CT_W)	2003/09	2008/12
OUTLANDER I (CU_W)	2001/03	2008/07
OUTLANDER II (CW_W)	2006/11	2012/12
PAJERO PININ I (H6_W, H7_W)	1999/01	2007/06
PAJERO SPORT I (K7_, K9_)	1996/07	
SPACE RUNNER (N1_W, N2_W)	1991/10	1999/08
SPACE RUNNER (N6_W)	1999/08	2003/01
SPACE WAGON (N3_W, N4_W)	1991/05	2000/11



BRAKE DISC

- Rear Axle
- Solid

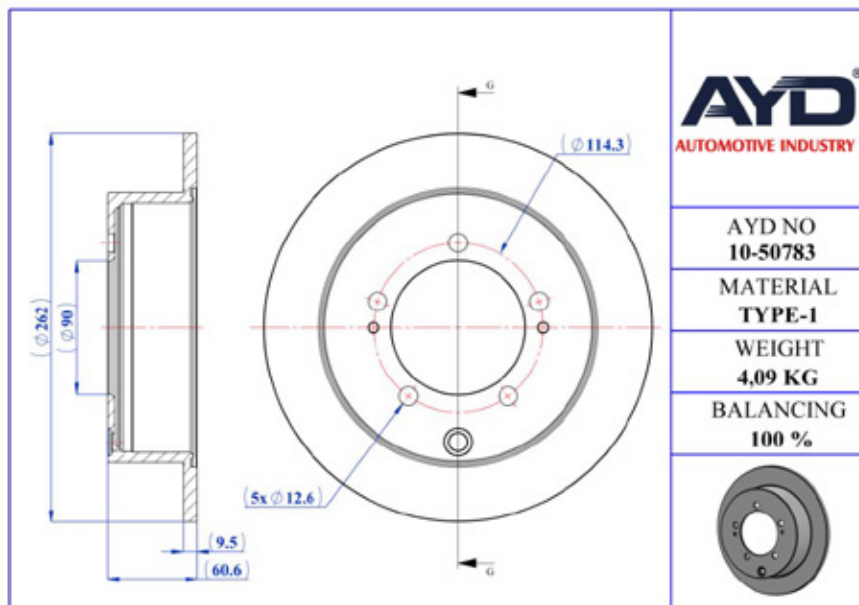


- Safety
- Performance
- OEM Standards
- AYD Quality



OE:
MR493489

10-50783



AYD
AUTOMOTIVE INDUSTRY

AYD NO
10-50783

MATERIAL
TYPE-1

WEIGHT
4,09 KG

BALANCING
100 %



Technical Specifications:

Diameter (mm)	Height (mm)	Brake Disc Thickness (mm)	Min. Thickness (mm)	Centering Diameter (mm)	Bolt Hole Circle (mm)	Num. of Holes
262	60.6	9.5	8.4	90	114.3	5+3

MITSUBISHI

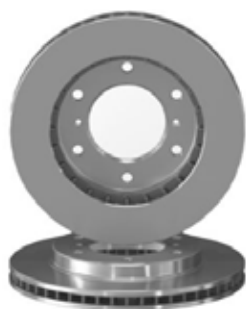
MODEL	START Y.	END Y.
ECLIPSE II (D3_A)	1994/04	1999/04
LANCER CARGO Estate Van (CS_W)	2003/09	2008/06
LANCER VII (CS_A, CT_A)	2000/03	2013/12
LANCER VII Estate (CS_W, CT_W)	2003/09	2008/12
OUTLANDER I (CU_W)	2001/03	2008/07
OUTLANDER II (CW_W)	2006/11	2012/12
PAJERO PININ I (H6_W, H7_W)	1999/01	2007/06
PAJERO SPORT I (K7_, K9_)	1996/07	
SPACE RUNNER (N6_W)	1999/08	2003/01



BRAKE DISC

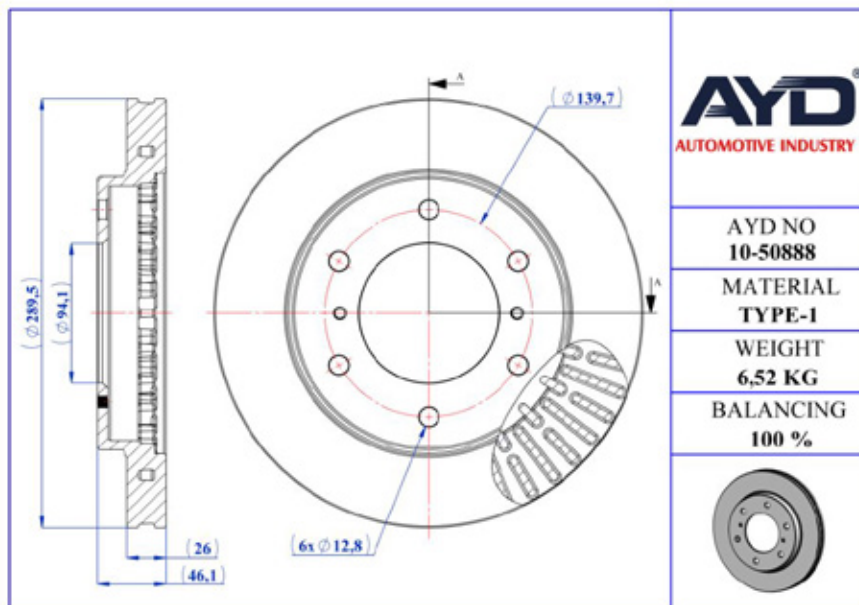
- Front Axle
- Vented

- Safety
- Performance
- OEM Standards
- AYD Quality



OE:
4615A061

10-50888



AYD
AUTOMOTIVE INDUSTRY

AYD NO
10-50888

MATERIAL
TYPE-1

WEIGHT
6,52 KG

BALANCING
100 %



Technical Specifications:

Diameter (mm)	Height (mm)	Brake Disc Thickness (mm)	Min. Thickness (mm)	Centering Diameter (mm)	Bolt Hole Circle (mm)	Num. of Holes
289.5	46.1	26	24.4	94.1	139.7	6+2

MITSUBISHI

MODEL	START Y.	END Y.
PAJERO CLASSIC (V2_W, V6_W, V7_W)	2001/07	
PAJERO III (V7_W, V6_W)	1999/01	2007/09
PAJERO III Canvas Top (V6_W, V7_W)	2000/02	2006/12

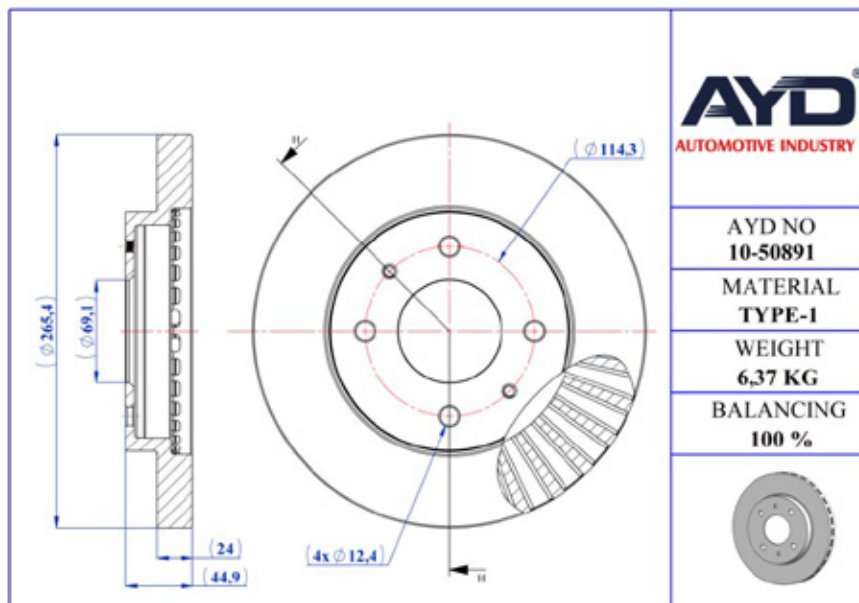


BRAKE DISC

- Front Axle
- Vented

- Safety
- Performance
- OEM Standards
- AYD Quality

OE:
MB500969
MB500968
MB366080



AYD
AUTOMOTIVE INDUSTRY

AYD NO
10-50891

MATERIAL
TYPE-1

WEIGHT
6,37 KG

BALANCING
100 %



10-50891

Technical Specifications:

Diameter (mm)	Height (mm)	Brake Disc Thickness (mm)	Min. Thickness (mm)	Centering Diameter (mm)	Bolt Hole Circle (mm)	Num. of Holes
265.4	44.9	24	22.4	69.1	114.3	4+2

MITSUBISHI

MODEL	START Y.	END Y.
GALANT V (E1_A)	1983/10	1990/12
GALANT VI (E3_A)	1988/11	1992/12
SPACE WAGON (D0_V/W)	1984/01	1992/01

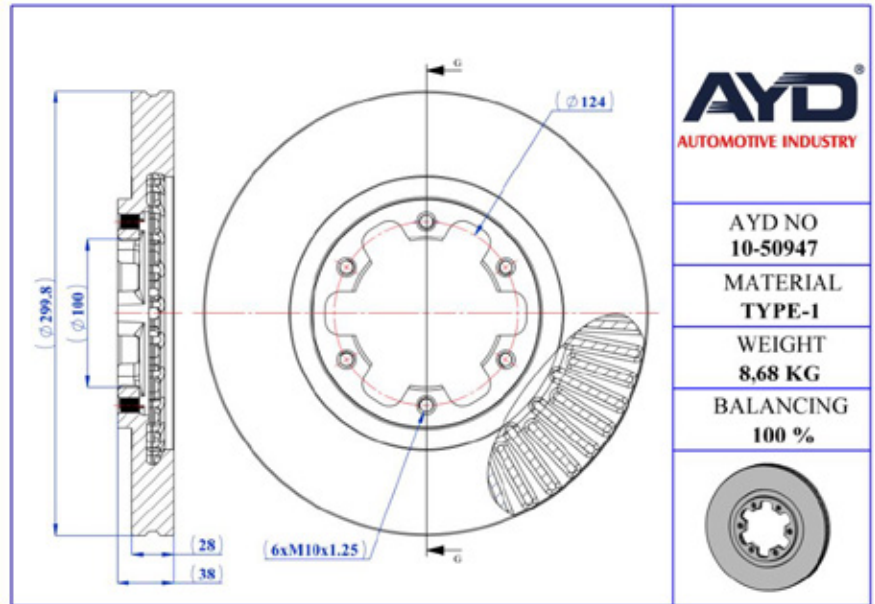


BRAKE DISC

- Front Axle
- Vented

- Safety
- Performance
- OEM Standarts
- AYD Quality

OE:
402066W500
402061W600
40206VE800



AYD
AUTOMOTIVE INDUSTRY

AYD NO
10-50947

MATERIAL
TYPE-1

WEIGHT
8,68 KG

BALANCING
100 %



10-50947

Technical Specifications:

Diameter (mm)	Height (mm)	Brake Disc Thickness (mm)	Min. Thickness (mm)	Centering Diameter (mm)	Bolt Hole Circle (mm)	Num. of Holes
299.8	38	28	26	100	124	6

NISSAN

MODEL	START Y.	END Y.
PATHFINDER II (R50)	1995/09	2005/07
PICK UP (D22)	1997/01	

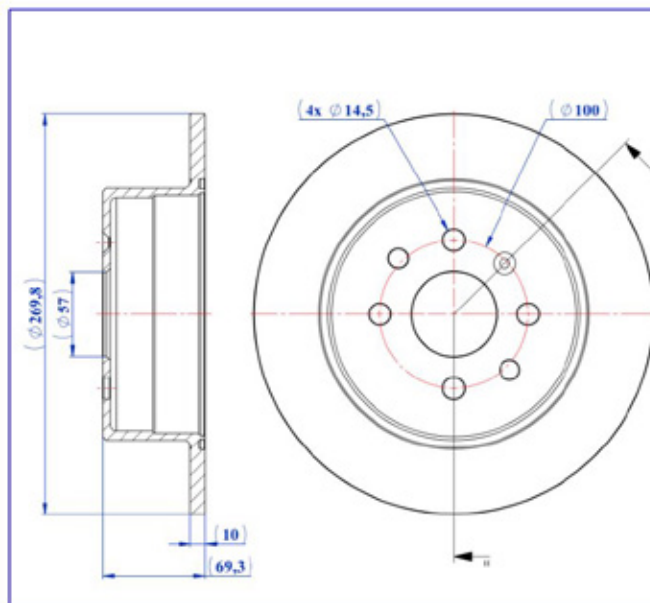


BRAKE DISC

- Rear Axle
- Solid

- Safety
- Performance
- OEM Standards
- AYD Quality

OE:
569209
90512909
93182288



AYD
AUTOMOTIVE INDUSTRY

AYD NO
10-50881

MATERIAL
TYPE-1

WEIGHT
4,39 KG

BALANCING
100 %



10-50881

Technical Specifications:

Diameter (mm)	Height (mm)	Brake Disc Thickness (mm)	Min. Thickness (mm)	Centering Diameter (mm)	Bolt Hole Circle (mm)	Num. of Holes
269.8	69.3	10	8	57	100	4+3

OPEL

MODEL	START Y.	END Y.
VECTRA B (J96)	1995/09	2004/07
VECTRA B Estate (J96)	1996/11	2003/07
VECTRA B Hatchback (J96)	1995/09	2003/07



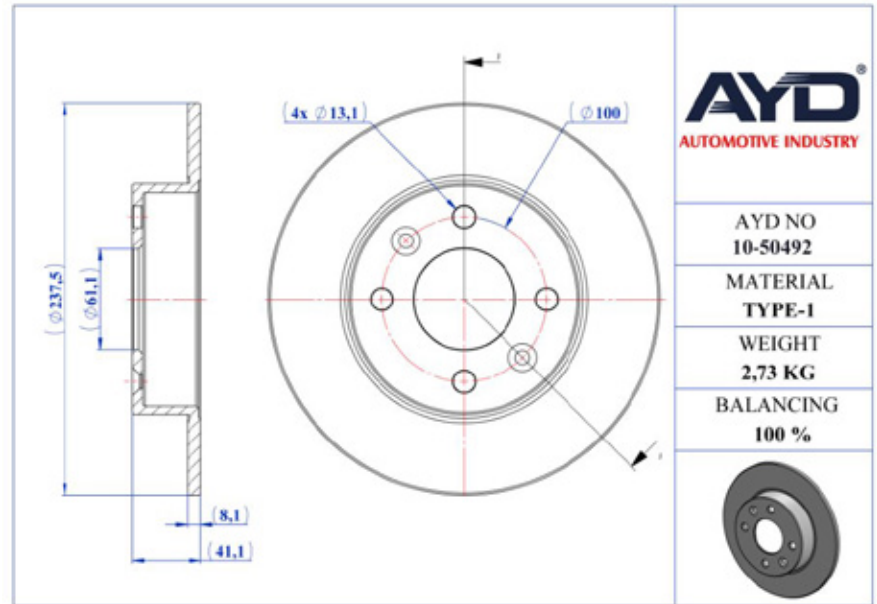
BRAKE DISC

- Front Axle
- Solid

- Safety
- Performance
- OEM Standarts
- AYD Quality



OE:
7701204285
7700716947



AYD
AUTOMOTIVE INDUSTRY

AYD NO
10-50492

MATERIAL
TYPE-1

WEIGHT
2,73 KG

BALANCING
100 %



10-50492

Technical Specifications:

Diameter (mm)	Height (mm)	Brake Disc Thickness (mm)	Min. Thickness (mm)	Centering Diameter (mm)	Bolt Hole Circle (mm)	Num. of Holes
237.5	41.1	8.1	7	61.1	100	4+2

RENAULT

MODEL	START Y.	END Y.
5 (122_)	1972/01	1985/12
CLIO I (B/C57_, 5/357_)	1990/05	1999/08
CLIO I Hatchback Van (S57_)	1991/01	1998/09
EXPRESS Box Body/MPV	1995/07	1998/03
EXPRESS Pickup	1995/07	1999/10
RAPID	1994/09	1998/03
RAPID Box Body/MPV (F40_, G40_)	1985/07	2001/11
SUPER 5 (B/C40_)	1984/10	1996/12
SUPER 5 Hatchback Van (S40_)	1984/10	1996/12
TWINGO I (C06_)	1993/03	2012/10
TWINGO I Hatchback Van (S06_)	1993/03	2012/06

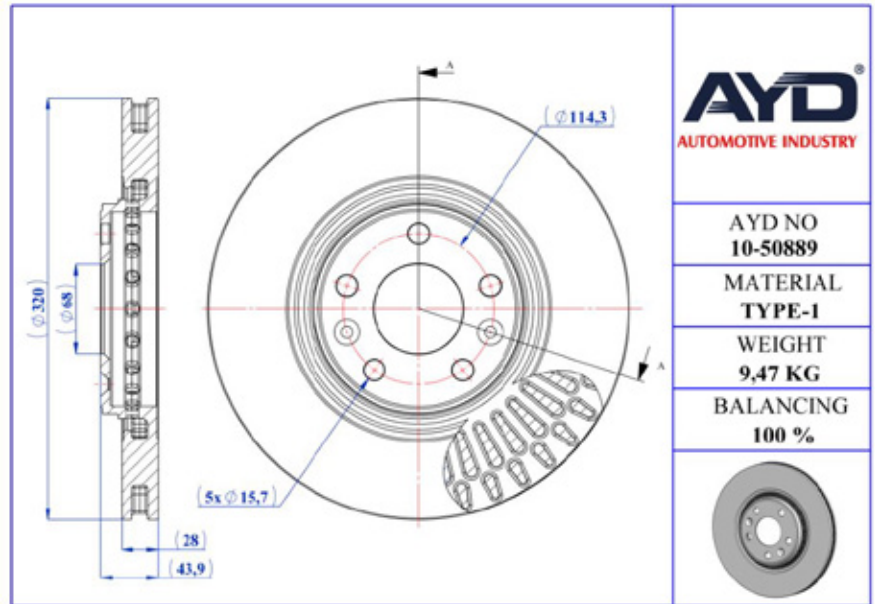


BRAKE DISC

- Front Axle
- Vented

- Safety
- Performance
- OEM Standards
- AYD Quality

OE:
402065646R
402060003R
402064155R



AYD
AUTOMOTIVE INDUSTRY

AYD NO
10-50889

MATERIAL
TYPE-1

WEIGHT
9,47 KG

BALANCING
100 %



10-50889

Technical Specifications:

Diameter (mm)	Height (mm)	Brake Disc Thickness (mm)	Min. Thickness (mm)	Centering Diameter (mm)	Bolt Hole Circle (mm)	Num. of Holes
320	43.9	28	25.4	68	114.3	5+2

RENAULT

MODEL	START Y.	END Y.
CLIO IV (BH_)	2012/11	
ESPACE V (JR_)	2015/02	
GRAND SCÉNIC III (JZ0/1_)	2009/02	
GRAND SCÉNIC IV (R9_)	2016/09	
LAGUNA Coupe (DT0/1)	2008/09	2015/12
LAGUNA III (BT0/1)	2007/10	2015/12
LAGUNA III Grandtour (KT0/1)	2007/10	2015/12
LATITUDE (L70_)	2010/07	
MEGANE III Grandtour (KZ0/1)	2008/11	
MEGANE IV Grandtour (K9A/M/N_)	2016/04	
MEGANE IV Hatchback (B9A/M/N_)	2015/11	



BRAKE DISC

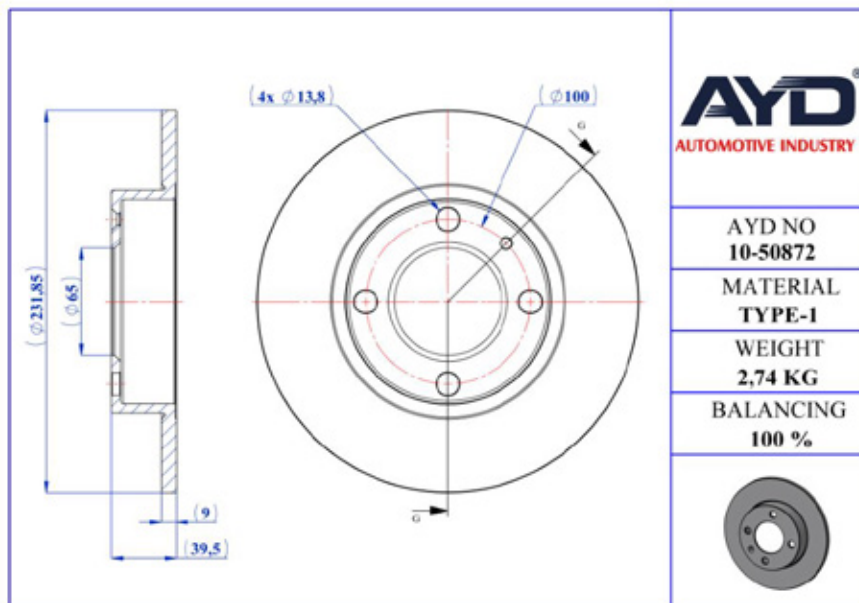
- Rear Axle
- Solid

- Safety
- Performance
- OEM Standarts
- AYD Quality



OE:
6N0615601A
6N0615601B

10-50872



AYD
AUTOMOTIVE INDUSTRY

AYD NO
10-50872

MATERIAL
TYPE-1

WEIGHT
2,74 KG

BALANCING
100 %



Technical Specifications:

Diameter (mm)	Height (mm)	Brake Disc Thickness (mm)	Min. Thickness (mm)	Centering Diameter (mm)	Bolt Hole Circle (mm)	Num. of Holes
231.85	39.5	9	7	65	100	4+1

SEAT

MODEL	START Y.	END Y.
AROSA (6H1)	1997/05	2004/06
CORDOBA (6K1, 6K2)	1993/02	2002/12
CORDOBA Vario (6K5)	1996/07	2002/12
IBIZA II (6K1)	1993/03	2002/05

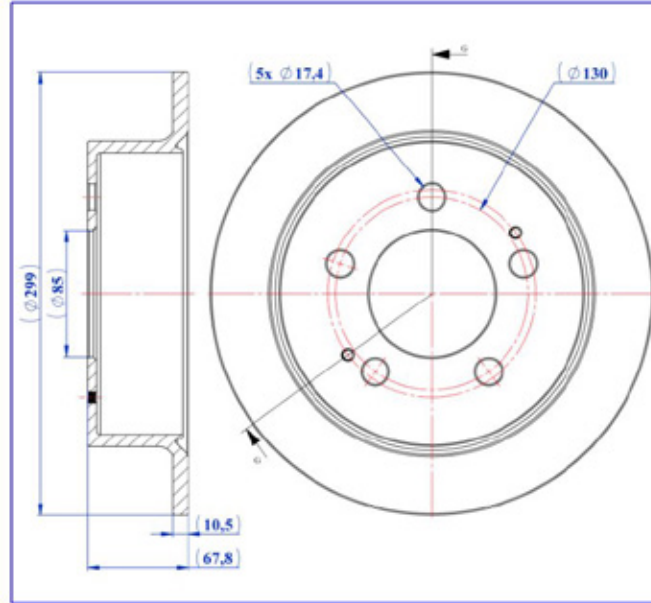


BRAKE DISC

- Rear Axle
- Solid

- Safety
- Performance
- OEM Standarts
- AYD Quality

OE:
4840109000
4840109001



AYD[®]
AUTOMOTIVE INDUSTRY

AYD NO
10-50871

MATERIAL
TYPE-1

WEIGHT
5,91 KG

BALANCING
100 %



10-50871

Technical Specifications:

Diameter (mm)	Height (mm)	Brake Disc Thickness (mm)	Min. Thickness (mm)	Centering Diameter (mm)	Bolt Hole Circle (mm)	Num. of Holes
299	67.8	10.5	8.5	85	130	5+2

SSANGYONG

MODEL	START Y.	END Y.
ACTYON I	2005/11	
ACTYON SPORTS I (QJ)	2005/11	
ACTYON SPORTS II	2012/01	
KYRON	2005/05	
REXTON / REXTON II (GAB_)	2002/04	
REXTON W / REXTON	2012/07	
RODIUS II	2013/06	



BRAKE DISC

- Front Axle
- Vented

- Safety
- Performance
- OEM Standarts
- AYD Quality



OE:
43512B2112

10-50894

AYD NO 10-50894	
MATERIAL TYPE-1	
WEIGHT 3,51 KG	
BALANCING 100 %	

Technical Specifications:

Diameter (mm)	Height (mm)	Brake Disc Thickness (mm)	Min. Thickness (mm)	Centering Diameter (mm)	Bolt Hole Circle (mm)	Num. of Holes
234	41	16	14.5	55	100	4+2

SUBARU

MODEL	START Y.	END Y.
JUSTY IV	2007/01	
LUCRA (L4_)	2010/04	

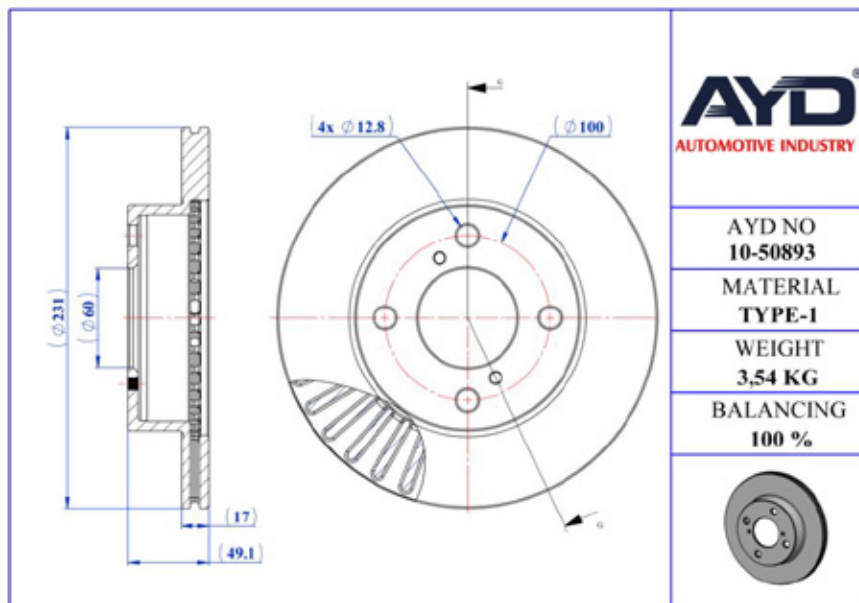


BRAKE DISC

- Front Axle
- Vented

- Safety
- Performance
- OEM Standards
- AYD Quality

OE:
5531175F11
5531175F00
5531175F10



AYD
AUTOMOTIVE INDUSTRY

AYD NO
10-50893

MATERIAL
TYPE-1

WEIGHT
3,54 KG

BALANCING
100 %



10-50893

Technical Specifications:

Diameter (mm)	Height (mm)	Brake Disc Thickness (mm)	Min. Thickness (mm)	Centering Diameter (mm)	Bolt Hole Circle (mm)	Num. of Holes
231	49.1	17	15	60	100	4+2

SUZUKI

MODEL	START Y.	END Y.
ALTO VI (FF)	2004/09	2009/12
WAGON R Hatchback	2002/03	2012/12
WAGON R+ Hatchback (EM)	1997/10	2000/10
WAGON R+ Hatchback (MM)	2000/05	

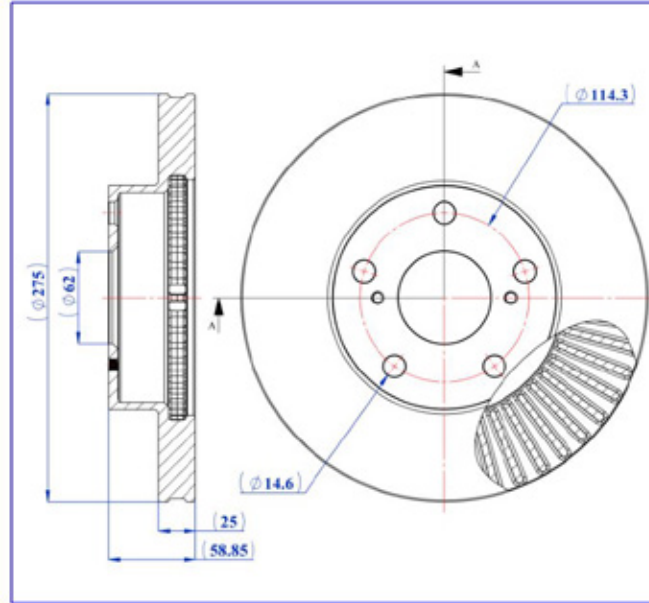


BRAKE DISC

- Front Axle
- Vented

- Safety
- Performance
- OEM Standarts
- AYD Quality

OE:
4351204040
4351204041



AYD[®]
AUTOMOTIVE INDUSTRY

AYD NO
10-50519

MATERIAL
TYPE-1

WEIGHT
KG

BALANCING
100 %



10-50519

Technical Specifications:

Diameter (mm)	Height (mm)	Brake Disc Thickness (mm)	Min. Thickness (mm)	Centering Diameter (mm)	Bolt Hole Circle (mm)	Num. of Holes
275	58,85	25	23	62	114,3	5+2

TOYOTA

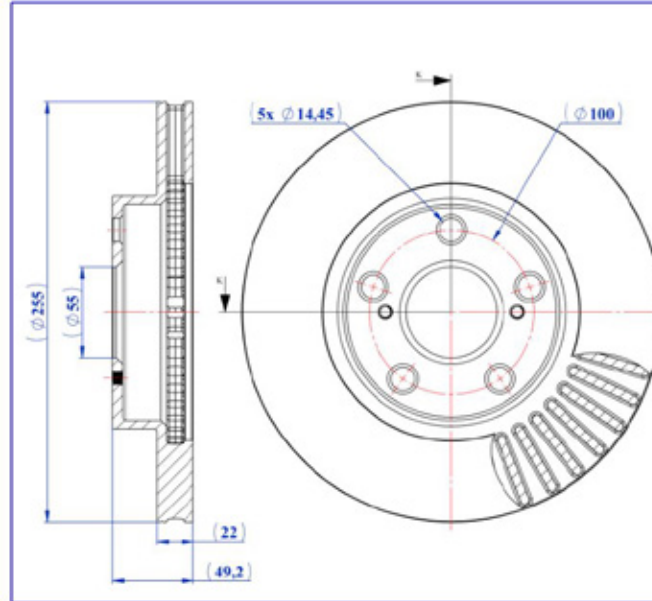
MODEL	START Y.	END Y.
TACOMA Pickup (_N2_)	2004/09	2015/12



BRAKE DISC

- Front Axle
- Vented

- Safety
- Performance
- OEM Standarts
- AYD Quality



AYD
AUTOMOTIVE INDUSTRY

AYD NO
10-50853

MATERIAL
TYPE-1

WEIGHT
4,59 KG

BALANCING
100 %



OE:
4351247030

10-50853

Technical Specifications:

Diameter (mm)	Height (mm)	Brake Disc Thickness (mm)	Min. Thickness (mm)	Centering Diameter (mm)	Bolt Hole Circle (mm)	Num. of Holes
255	49.2	22	20	55	100	5+2

TOYOTA

MODEL	START Y.	END Y.
PRIUS Liftback (_W2_)	2003/09	2009/12



BRAKE DISC

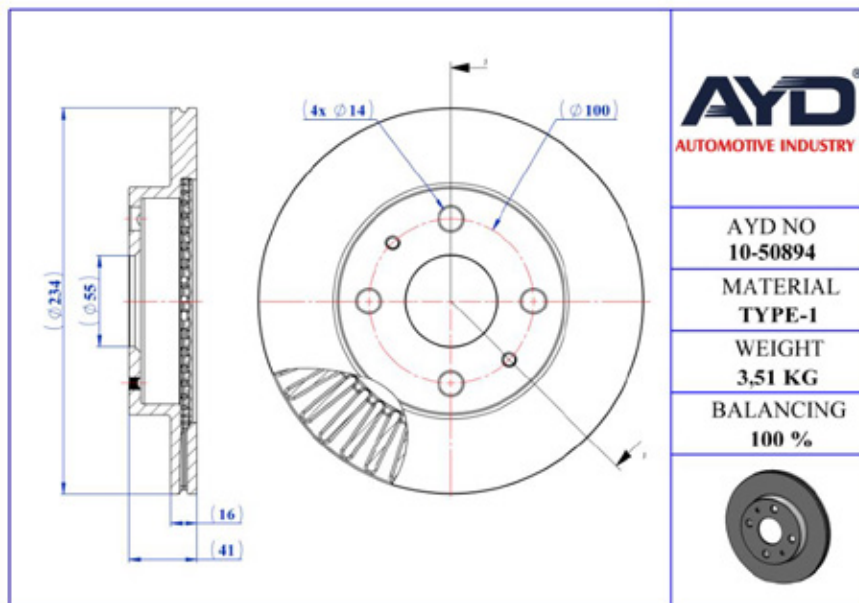
- Front Axle
- Vented

- Safety
- Performance
- OEM Standards
- AYD Quality



OE:
43512B1040

10-50894



AYD
AUTOMOTIVE INDUSTRY

AYD NO
10-50894

MATERIAL
TYPE-1

WEIGHT
3,51 KG

BALANCING
100 %



Technical Specifications:

Diameter (mm)	Height (mm)	Brake Disc Thickness (mm)	Min. Thickness (mm)	Centering Diameter (mm)	Bolt Hole Circle (mm)	Num. of Holes
234	41	16	14.5	55	100	4+2

TOYOTA

MODEL	START Y.	END Y.
DUET (M11_, M10_)	1998/04	2004/10

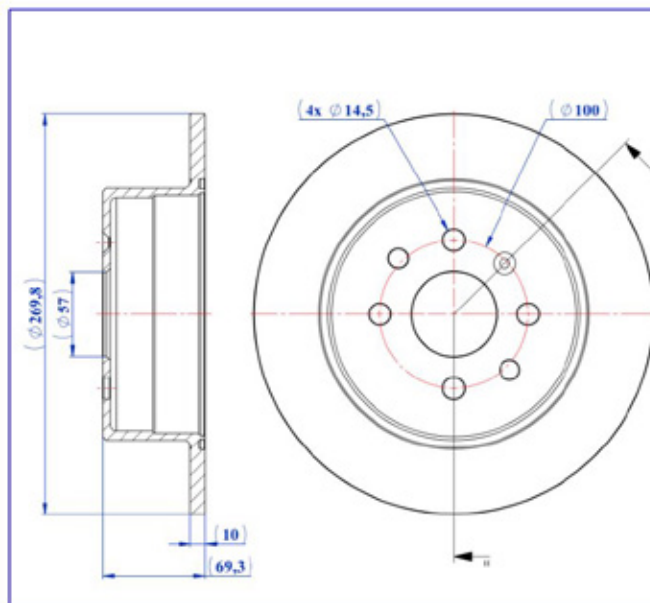


BRAKE DISC

- Rear Axle
- Solid

- Safety
- Performance
- OEM Standards
- AYD Quality

OE:
569209
90512909
93182288



AYD
AUTOMOTIVE INDUSTRY

AYD NO
10-50881

MATERIAL
TYPE-1

WEIGHT
4,39 KG

BALANCING
100 %



10-50881

Technical Specifications:

Diameter (mm)	Height (mm)	Brake Disc Thickness (mm)	Min. Thickness (mm)	Centering Diameter (mm)	Bolt Hole Circle (mm)	Num. of Holes
269.8	69.3	10	8	57	100	4+3

VAUXHALL

MODEL	START Y.	END Y.
VECTRA (B) Estate (J96)	1995/08	2002/03
VECTRA (B) Hatchback (J96)	1995/08	2003/07
VECTRA (B) Saloon (J96)	1995/08	2002/03



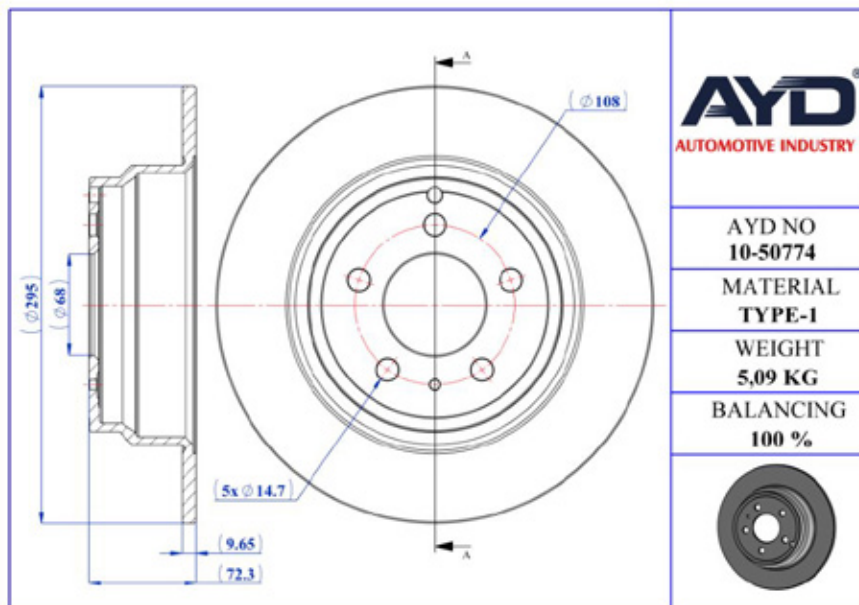
BRAKE DISC

- Rear Axle
- Solid



- Safety
- Performance
- OEM Standards
- AYD Quality

OE:
31262099
2717940
271794



AYD
AUTOMOTIVE INDUSTRY

AYD NO
10-50774

MATERIAL
TYPE-1

WEIGHT
5,09 KG

BALANCING
100 %



10-50774

Technical Specifications:

Diameter (mm)	Height (mm)	Brake Disc Thickness (mm)	Min. Thickness (mm)	Centering Diameter (mm)	Bolt Hole Circle (mm)	Num. of Holes
295	72.3	9.65	8.4	68	108	5+2

VOLVO

MODEL	START Y.	END Y.
850 (854)	1991/06	1997/10
850 Estate (855)	1992/04	1997/10
C70 I Convertible (873)	1998/03	2005/10
C70 I Coupe (872)	1997/03	2002/09
S70 (874)	1996/11	2000/11
V70 I (875, 876)	1995/12	2000/12
XC70 I Cross Country (295)	1997/10	2007/10

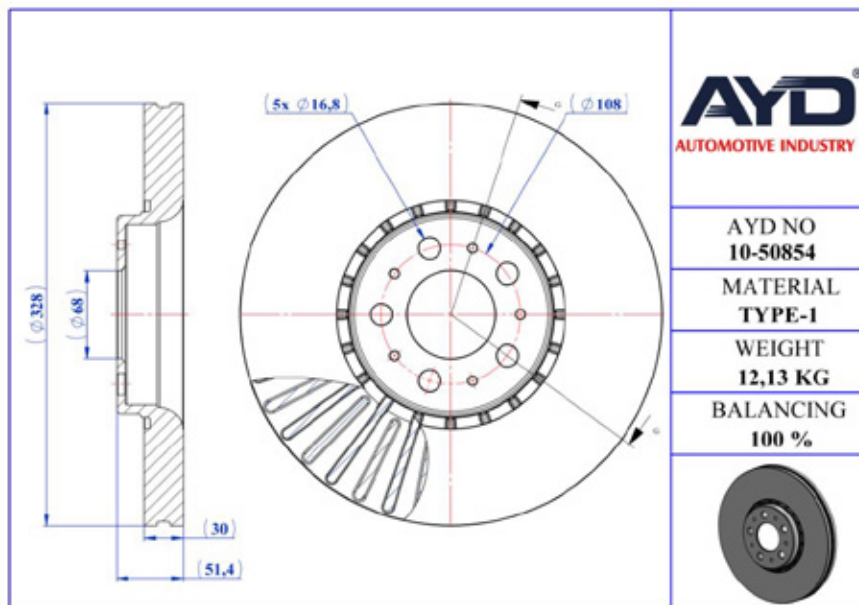


BRAKE DISC

- Front Axle
- Vented

- Safety
- Performance
- OEM Standarts
- AYD Quality

OE:
31400893
31262489



AYD
AUTOMOTIVE INDUSTRY

AYD NO
10-50854

MATERIAL
TYPE-1

WEIGHT
12,13 KG

BALANCING
100 %



10-50854

Technical Specifications:

Diameter (mm)	Height (mm)	Brake Disc Thickness (mm)	Min. Thickness (mm)	Centering Diameter (mm)	Bolt Hole Circle (mm)	Num. of Holes
328	51.4	30	27	68	108	5+5

VOLVO

MODEL	START Y.	END Y.
XC90 I (275)	2002/06	2015/01

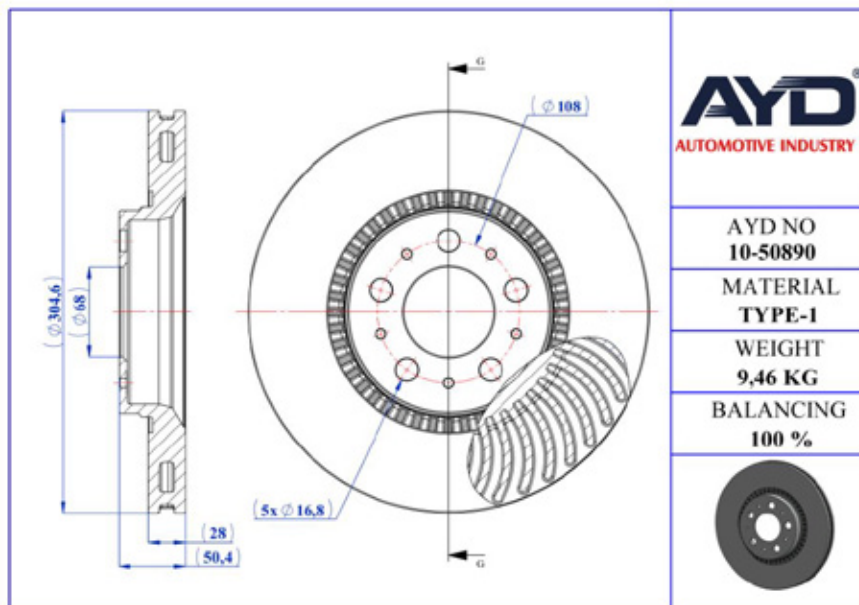
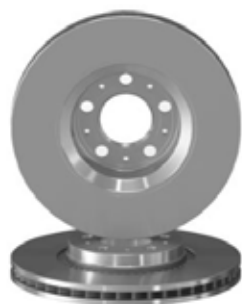


BRAKE DISC

- Front Axle
- Vented

- Safety
- Performance
- OEM Standards
- AYD Quality

OE:
2724045
2741702
274170



AYD
AUTOMOTIVE INDUSTRY

AYD NO
10-50890

MATERIAL
TYPE-1

WEIGHT
9,46 KG

BALANCING
100 %



10-50890

Technical Specifications:

Diameter (mm)	Height (mm)	Brake Disc Thickness (mm)	Min. Thickness (mm)	Centering Diameter (mm)	Bolt Hole Circle (mm)	Num. of Holes
304.6	50.4	28	25	68	108	5+5

VOLVO

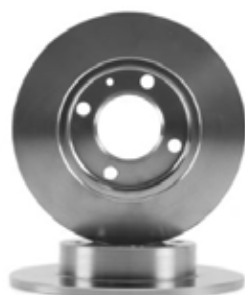
MODEL	START Y.	END Y.
S60 I (384)	2000/07	2010/04
S80 I (184)	1998/05	2008/02
V70 II (285)	1999/11	2008/12
XC70 I Cross Country (295)	1997/10	2007/10



BRAKE DISC

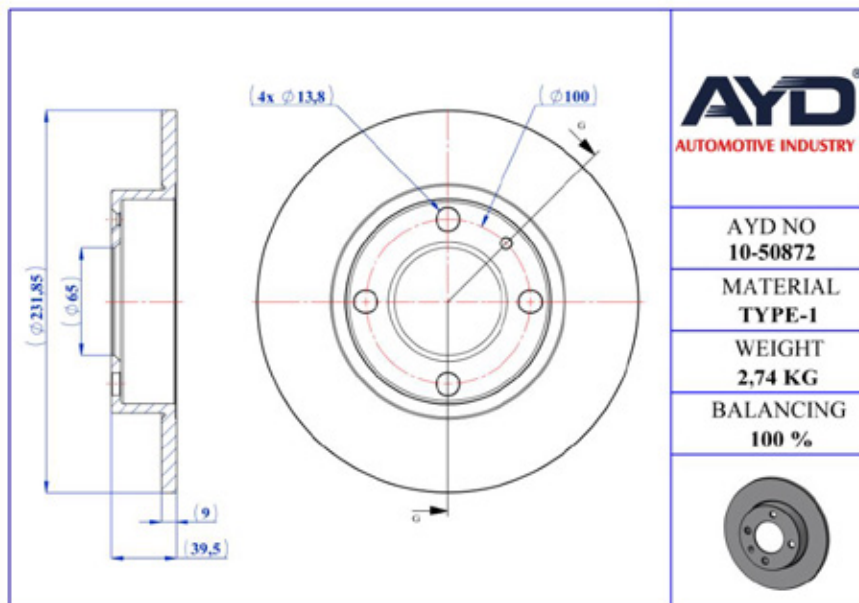
- Rear Axle
- Solid

- Safety
- Performance
- OEM Standarts
- AYD Quality



OE:
6N0615601A
6N0615601B

10-50872



AYD
AUTOMOTIVE INDUSTRY

AYD NO
10-50872

MATERIAL
TYPE-1

WEIGHT
2,74 KG

BALANCING
100 %



Technical Specifications:

Diameter (mm)	Height (mm)	Brake Disc Thickness (mm)	Min. Thickness (mm)	Centering Diameter (mm)	Bolt Hole Circle (mm)	Num. of Holes
231.85	39.5	9	7	65	100	4+1

VW

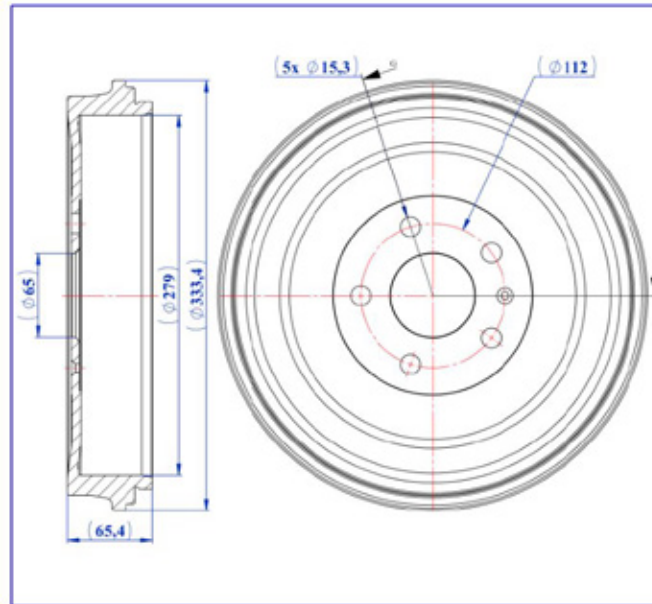
MODEL	START Y.	END Y.
LUPO I (6X1, 6E1)	1998/09	2005/07
POLO (6N2)	1999/10	2001/10
POLO III CLASSIC (6V2)	1995/01	2009/11
POLO Variant (6V5)	1997/04	2001/09



BRAKE DRUM

· Rear Axle

- Safety
- Performance
- OEM Standarts
- AYD Quality



AYD
AUTOMOTIVE INDUSTRY

AYD NO
13-51044

MATERIAL
TYPE-1

WEIGHT
10,5 KG

BALANCING
100 %



OE:
1EA609617E

13-51044

Technical Specifications:

Diameter (mm)	Height (mm)	Brake Diameter Inside (mm)	Max. Skimmed Drum Mea. (mm)	Centering Diameter (mm)	Bolt Hole Circle (mm)	Num. of Holes
333.4	65.4	279	280.8	65	112	5+1

VW

MODEL	START Y.	END Y.
ID.4 (E21)	2020/05	

