

new to range

SPEED TO MARKET SECOND TO NONE

AYD[®]
AUTOMOTIVE INDUSTRY



BRAKING

THE DIFFERENCE

SAFETY

PERFORMANCE

OEM Standards

AYD QUALITY

www.aydtr.com



MAY 2023

INDEX

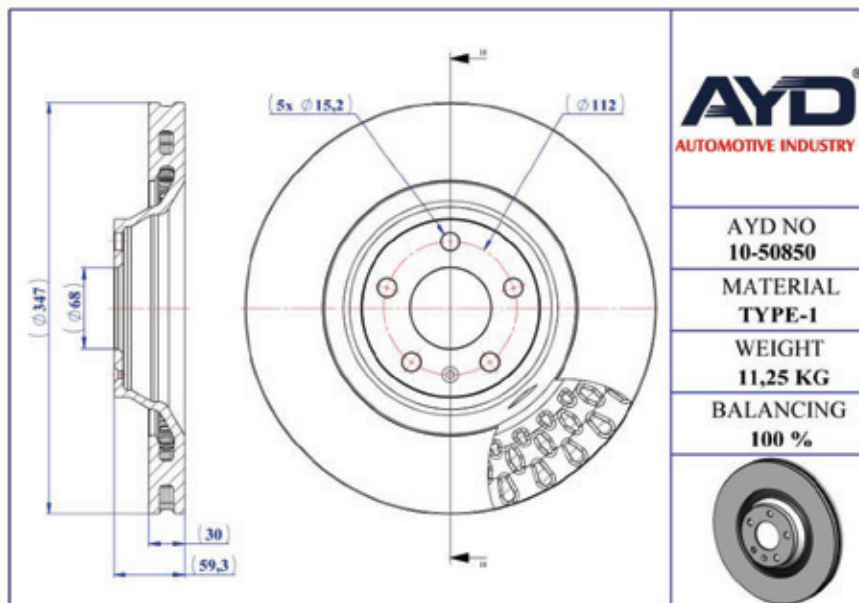
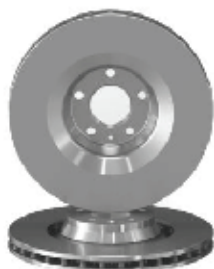
AUDI	3
BMW	4-5
CITROEN	6-8
DODGE	9
DS	10
FIAT	11
FORD	12
HONDA	13
JEEP	14
LADA	15
LAND ROVER	16
MAZDA	17
MINI	18-19
MITSUBISHI	20-21
NISSAN	22
OPEL	23
PEUGEOT	24-27
PORSCHE	28-31
RENAULT	32-36
SUZUKI	37
TOYOTA	38-40
VAUXHALL	41
VOLVO	42-43
VOLKSWAGEN	44-47

BRAKE DISC

- Front Axle
- Vented

- Safety
- Performance
- OEM Standards
- AYD Quality

OE:
4F0615301G
4F0615301F



AYD
AUTOMOTIVE INDUSTRY

AYD NO
10-50850

MATERIAL
TYPE-1

WEIGHT
11,25 KG

BALANCING
100 %



10-50850

Technical Specifications:

Diameter (mm)	Height (mm)	Brake Disc Thickness (mm)	Min. Thickness (mm)	Centering Diameter (mm)	Bolt Hole Circle (mm)	Num. of Holes
347	59.3	30	28	68	112	5+1

AUDI

MODEL	START Y.	END Y.
A6 Allroad C6 (4FH)	2006/03	2011/08
A6 C6 (4F2)	2004/04	2011/08
A6 C6 Avant (4F5)	2004/11	2011/08

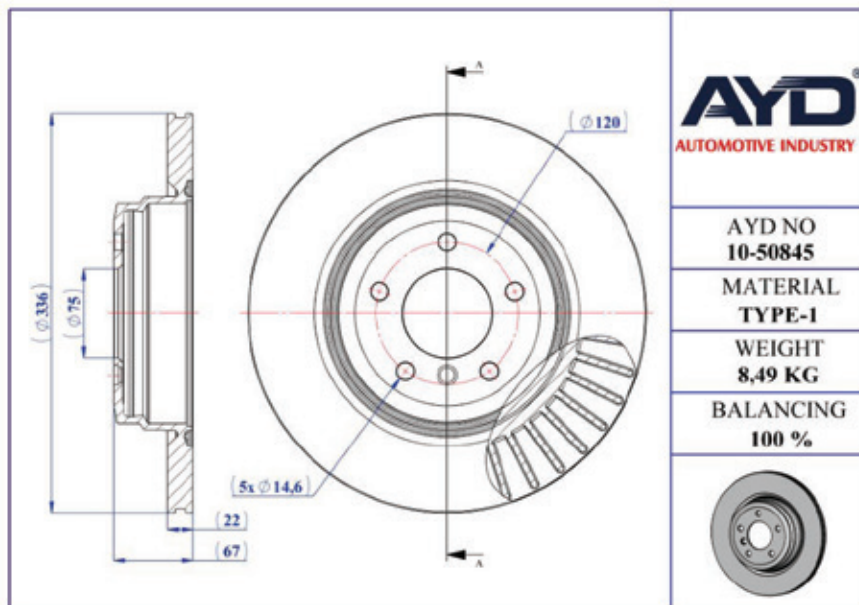


BRAKE DISC

- Rear Axle
- Vented

- Safety
- Performance
- OEM Standards
- AYD Quality

OE:
34216855004
34216764655
6764655



AYD
AUTOMOTIVE INDUSTRY

AYD NO
10-50845

MATERIAL
TYPE-1

WEIGHT
8,49 KG

BALANCING
100 %



10-50845

Technical Specifications:

Diameter (mm)	Height (mm)	Brake Disc Thickness (mm)	Min. Thickness (mm)	Centering Diameter (mm)	Bolt Hole Circle (mm)	Num. of Holes
336	67	22	20.4	75	120	5+1

BMW

MODEL	START Y.	END Y.
3 (E90)	2004/02	2012/02
3 Convertible (E93)	2006/05	2013/12
3 Coupe (E92)	2005/01	2013/12
3 Touring (E91)	2004/12	2012/12



BRAKE DISC

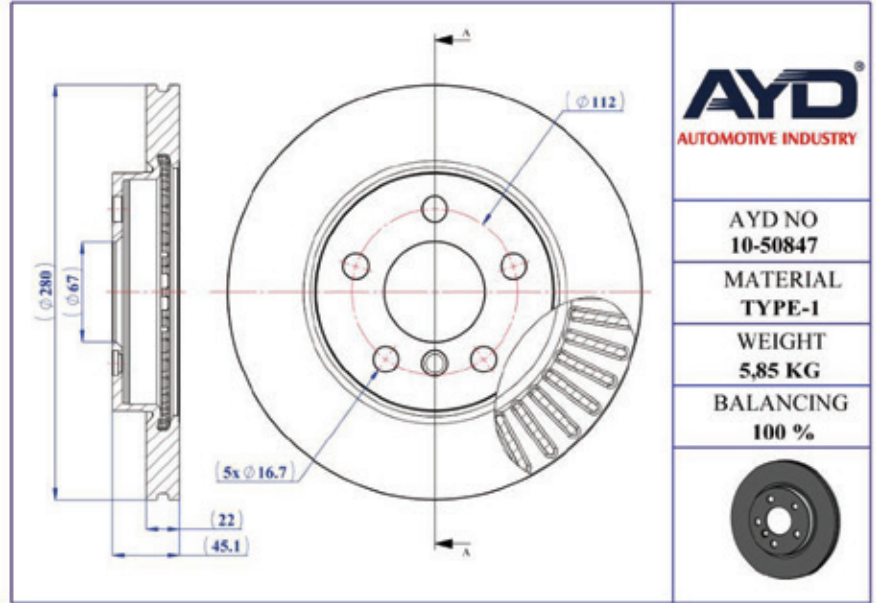
- Front Axle
- Vented



- Safety
- Performance
- OEM Standards
- AYD Quality

OE:
34116799347
6799347

10-50847



Technical Specifications:

Diameter (mm)	Height (mm)	Brake Disc Thickness (mm)	Min. Thickness (mm)	Centering Diameter (mm)	Bolt Hole Circle (mm)	Num. of Holes
280	45.1	22	20.4	67	112	5+1

BMW

MODEL	START Y.	END Y.
2 Active Tourer (F45)	2013/11	

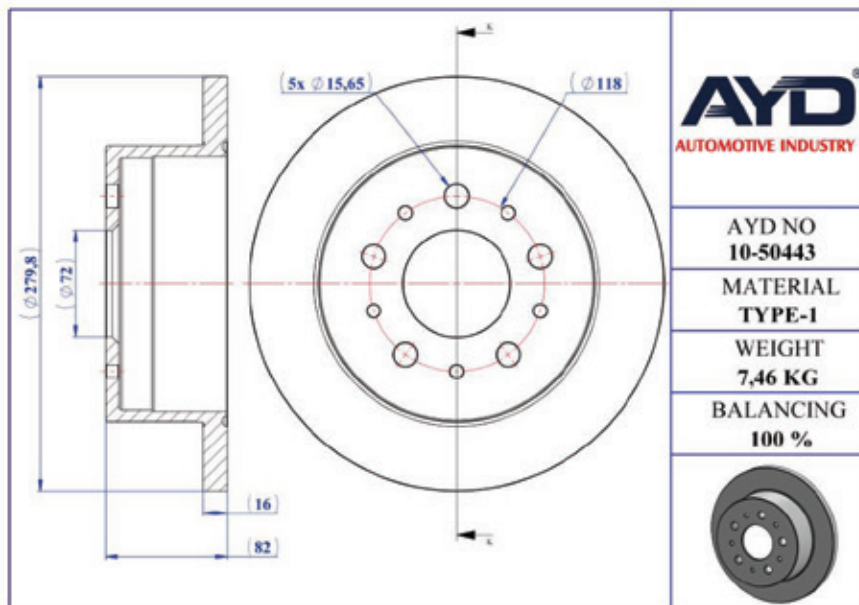


BRAKE DISC

- Rear Axle
- Solid

- Safety
- Performance
- OEM Standarts
- AYD Quality

OE:
1618862980
4246Y7
E169247



AYD
AUTOMOTIVE INDUSTRY

AYD NO
10-50443

MATERIAL
TYPE-1

WEIGHT
7,46 KG

BALANCING
100 %



10-50443

Technical Specifications:

Diameter (mm)	Height (mm)	Brake Disc Thickness (mm)	Min. Thickness (mm)	Centering Diameter (mm)	Bolt Hole Circle (mm)	Num. of Holes
279.8	82	16	14.2	72	118	5+5

CITROËN

MODEL	START Y.	END Y.
JUMPER Bus (230P)	1994/02	2002/04
JUMPER Bus (244, Z_)	2002/04	
JUMPER Platform/Chassis (230)	1994/03	2002/04
JUMPER Platform/Chassis (244)	2002/02	
JUMPER Van (230L)	1994/02	2002/08
JUMPER Van (244)	2002/04	



BRAKE DISC

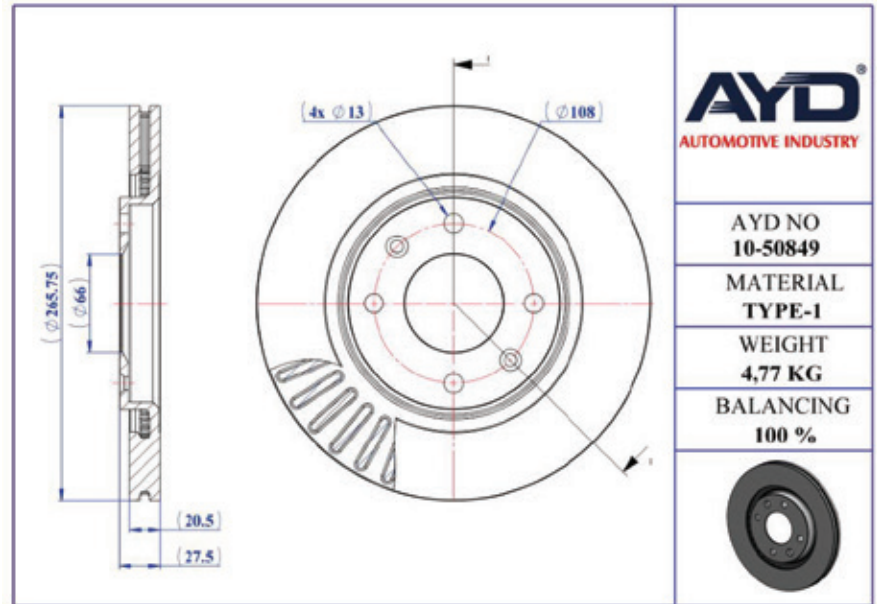
- Front Axle
- Vented

- Safety
- Performance
- OEM Standarts
- AYD Quality



OE:
169002

10-50849



AYD
AUTOMOTIVE INDUSTRY

AYD NO
10-50849

MATERIAL
TYPE-1

WEIGHT
4,77 KG

BALANCING
100 %



Technical Specifications:

Diameter (mm)	Height (mm)	Brake Disc Thickness (mm)	Min. Thickness (mm)	Centering Diameter (mm)	Bolt Hole Circle (mm)	Num. of Holes
265.75	27.5	20.5	18.5	66	108	4+2

CITROËN

MODEL	START Y.	END Y.
BERLINGO / BERLINGO FIRST Box Body/MPV (M_)	1996/07	2011/12
BERLINGO / BERLINGO FIRST MPV(MF_,GJK_,GFK_)	1996/07	2011/12
BX (XB-_)	1982/10	1994/12
BX Break (XB-_)	1983/04	1994/12
XANTIA (X1_, X2_)	1993/03	2003/04
XANTIA Break (X1_, X2_)	1995/06	2003/04
XSARA (N1)	1997/04	2005/12
XSARA Break (N2)	1997/10	2010/03
XSARA Coupe (N0)	1998/01	2005/04
XSARA Estate Van	1998/05	2005/08
XSARA PICASSO (N68)	1999/09	2012/06

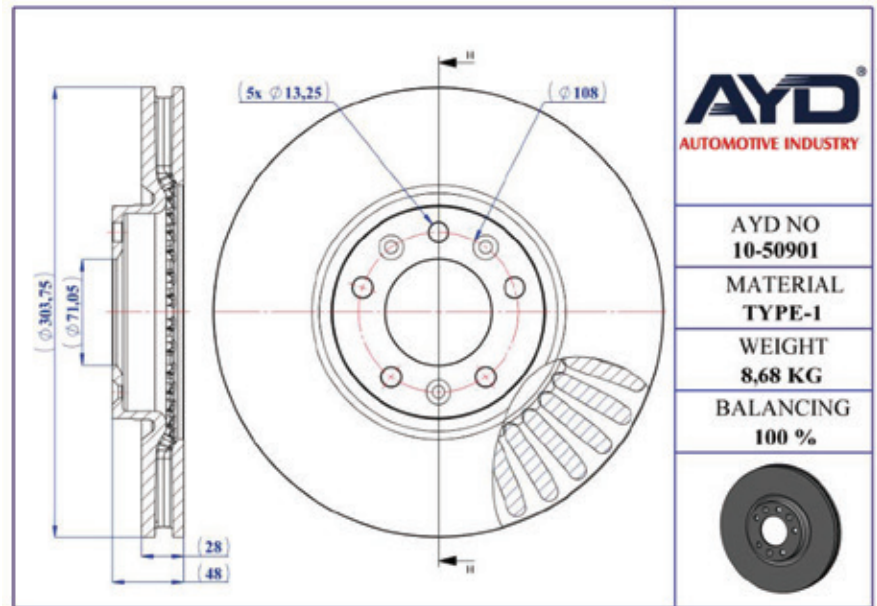


BRAKE DISC

- Front Axle
- Vented

- Safety
- Performance
- OEM Standarts
- AYD Quality

OE:
4249K1
424993
1642760480



AYD
AUTOMOTIVE INDUSTRY

AYD NO
10-50901

MATERIAL
TYPE-1

WEIGHT
8,68 KG

BALANCING
100 %



10-50901

Technical Specifications:

Diameter (mm)	Height (mm)	Brake Disc Thickness (mm)	Min. Thickness (mm)	Centering Diameter (mm)	Bolt Hole Circle (mm)	Num. of Holes
303.75	48	28	26	71.05	108	5+3

CITROËN

MODEL	START Y.	END Y.
BERLINGO (ER_, EC_)	2018/06	
BERLINGO Box Body/MPV (B9)	2008/04	
BERLINGO Box Body/MPV (K9)	2018/06	
BERLINGO MULTISPACE (B9)	2008/04	
C4 GRAND PICASSO II (DA_, DE_)	2013/06	
C4 PICASSO II	2013/01	
C4 PICASSO II Van (DD_)	2013/01	
C4 SPACETOURER (3D_)	2018/04	
C4 SPACETOURER Van (3D_)	2018/04	
C5 AIRCROSS (A_)	2018/11	
C5 III Break (RW_)	2008/02	



BRAKE DISC

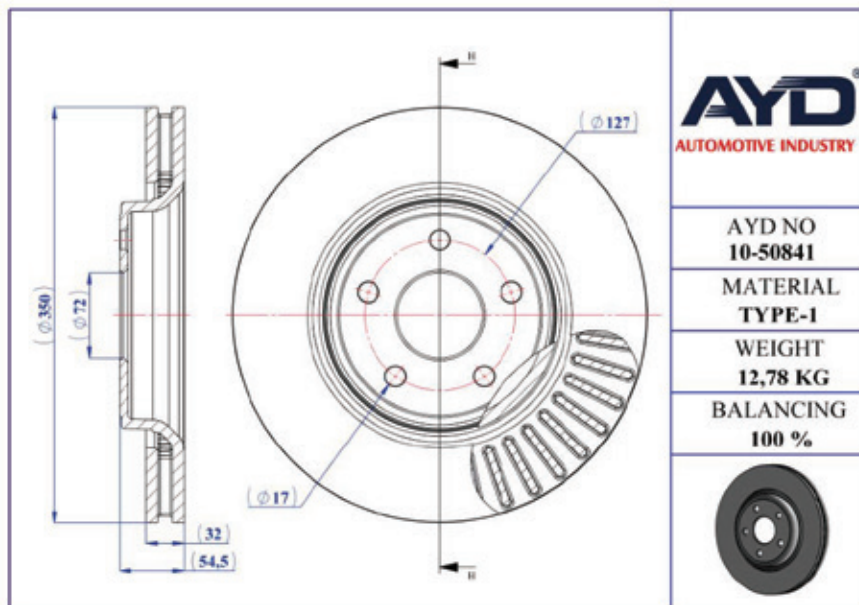
- Front Axle
- Vented

- Safety
- Performance
- OEM Standarts
- AYD Quality



OE:
68035012AE

10-50841



AYD
AUTOMOTIVE INDUSTRY

AYD NO
10-50841

MATERIAL
TYPE-1

WEIGHT
12,78 KG

BALANCING
100 %



Technical Specifications:

Diameter (mm)	Height (mm)	Brake Disc Thickness (mm)	Min. Thickness (mm)	Centering Diameter (mm)	Bolt Hole Circle (mm)	Num. of Holes
350	54.5	32	30.5	72	127	5

DODGE

MODEL	START Y.	END Y.
DURANGO (WD)	2010/12	



BRAKE DISC

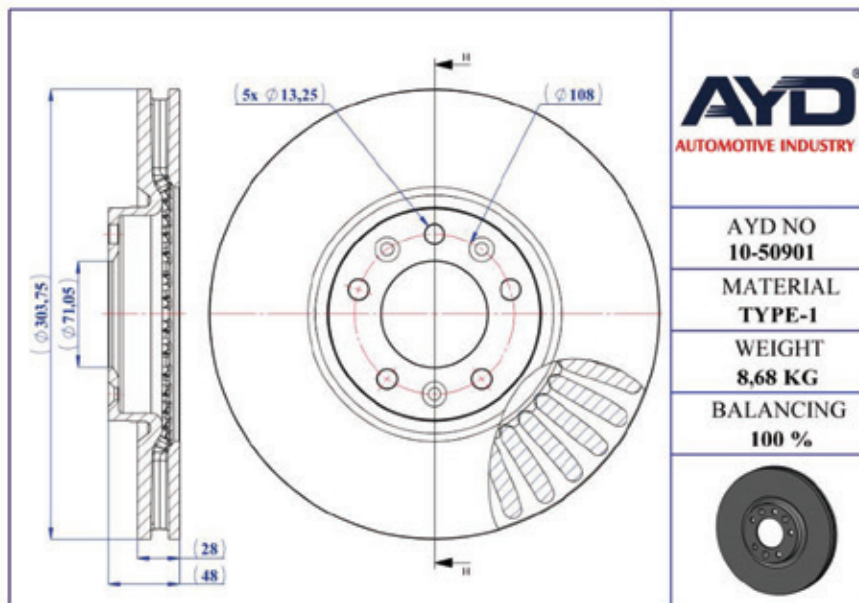
- Front Axle
- Vented

- Safety
- Performance
- OEM Standards
- AYD Quality



OE:
1642760480

10-50901



AYD
AUTOMOTIVE INDUSTRY

AYD NO
10-50901

MATERIAL
TYPE-1

WEIGHT
8,68 KG

BALANCING
100 %



Technical Specifications:

Diameter (mm)	Height (mm)	Brake Disc Thickness (mm)	Min. Thickness (mm)	Centering Diameter (mm)	Bolt Hole Circle (mm)	Num. of Holes
303.75	48	28	26	71.05	108	5+3

DS

MODEL	START Y.	END Y.
DS 4 II (F_, FB_, F3_)	2021/10	
DS 7 Crossback (J4_, JR_, JC_)	2017/09	

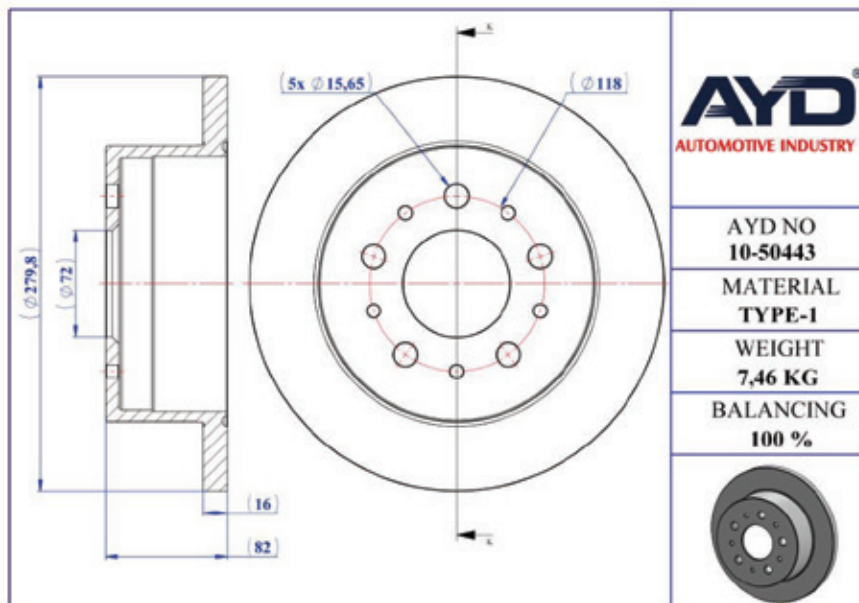


BRAKE DISC

- Rear Axle
- Solid

- Safety
- Performance
- OEM Standards
- AYD Quality

OE:
46833806
71740118



AYD
AUTOMOTIVE INDUSTRY

AYD NO 10-50443
MATERIAL TYPE-1
WEIGHT 7,46 KG
BALANCING 100 %



10-50443

Technical Specifications:

Diameter (mm)	Height (mm)	Brake Disc Thickness (mm)	Min. Thickness (mm)	Centering Diameter (mm)	Bolt Hole Circle (mm)	Num. of Holes
279.8	82	16	14.2	72	118	5+5

FIAT

MODEL	START Y.	END Y.
DUCATO Bus (230_)	1994/03	2005/05
DUCATO Bus (244_)	2001/12	
DUCATO Platform/Chassis (230_)	1994/03	2002/04
DUCATO Platform/Chassis (244_)	2001/12	
DUCATO Van (230_)	1994/03	2005/05
DUCATO Van (244_)	2001/12	

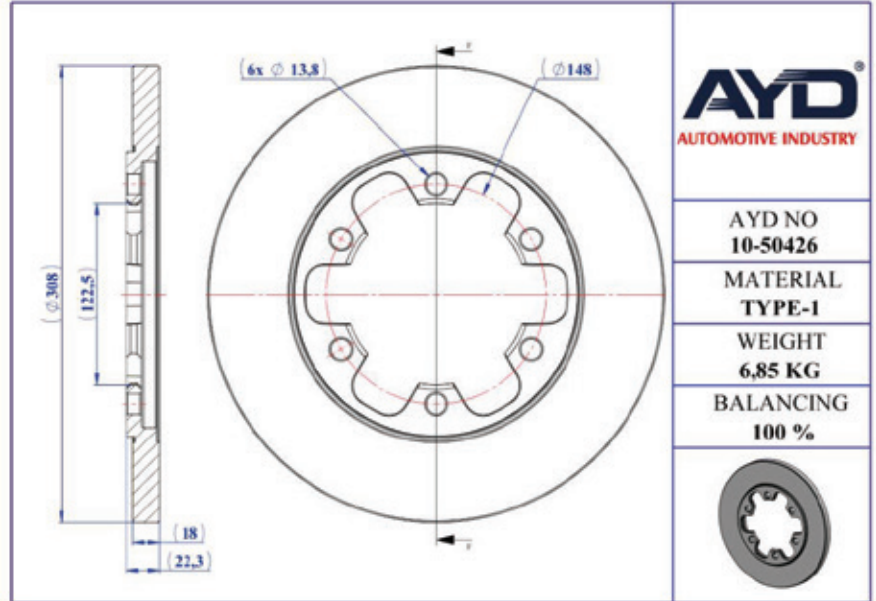


BRAKE DISC

- Rear Axle
- Solid

- Safety
- Performance
- OEM Standards
- AYD Quality

OE:
1815600
BK312A315BD
KK312A315BA



AYD
AUTOMOTIVE INDUSTRY

AYD NO
10-50426

MATERIAL
TYPE-1

WEIGHT
6,85 KG

BALANCING
100 %



10-50426

Technical Specifications:

Diameter (mm)	Height (mm)	Brake Disc Thickness (mm)	Min. Thickness (mm)	Centering Diameter (mm)	Bolt Hole Circle (mm)	Num. of Holes
308	22.3	18	15	122.5	148	6

FORD

MODEL	START Y.	END Y.
TRANSIT V363 Bus (FAD, FBD)	2013/08	
TRANSIT V363 Platform/Chassis (FED, FFD)	2013/08	
TRANSIT V363 Van (FCD, FDD)	2013/08	

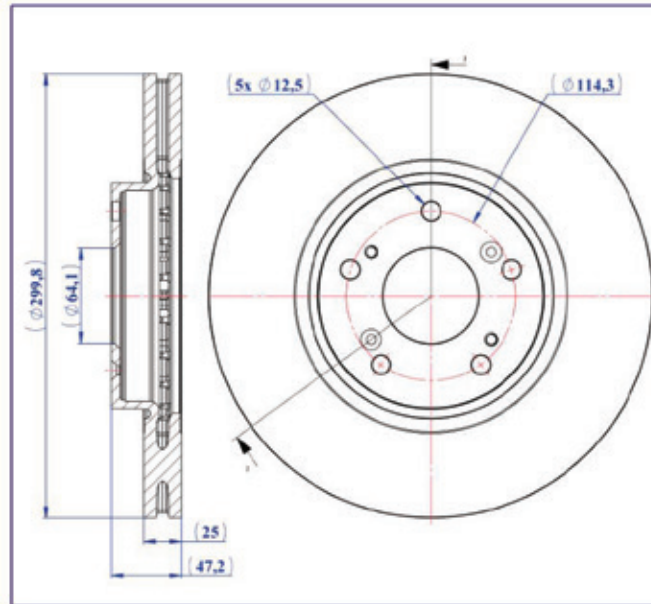


BRAKE DISC

- Front Axle
- Vented



- Safety
- Performance
- OEM Standarts
- AYD Quality



AYD NO
10-50623

MATERIAL
TYPE-1

WEIGHT
8,26 KG

BALANCING
100 %



OE:
45251SEAE30

10-50623

Technical Specifications:

Diameter (mm)	Height (mm)	Brake Disc Thickness (mm)	Min. Thickness (mm)	Centering Diameter (mm)	Bolt Hole Circle (mm)	Num. of Holes
299.8	47.2	25	23	64.1	114.3	5+4

HONDA

MODEL	START Y.	END Y.
ACCORD VII (CL, CN)	2003/01	2012/09
ACCORD VII (CM)	2002/09	2008/05
ACCORD VII Tourer (CM, CN)	2003/04	2008/05
CR-V II (RD_)	2001/09	2007/07

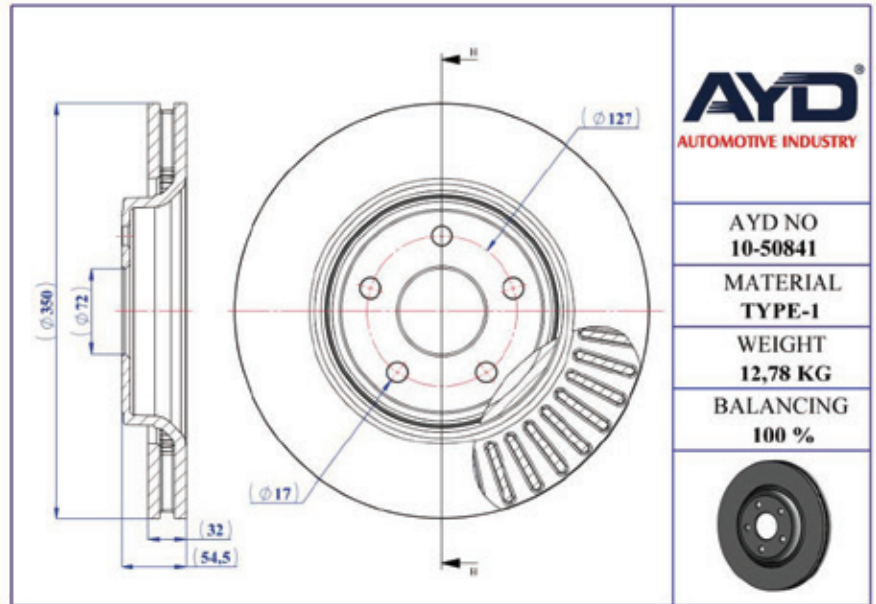


BRAKE DISC

- Front Axle
- Vented

- Safety
- Performance
- OEM Standarts
- AYD Quality

OE:
68035012AB
4755569AA
68035012AC



AYD
AUTOMOTIVE INDUSTRY

AYD NO
10-50841

MATERIAL
TYPE-1

WEIGHT
12,78 KG

BALANCING
100 %



10-50841

Technical Specifications:

Diameter (mm)	Height (mm)	Brake Disc Thickness (mm)	Min. Thickness (mm)	Centering Diameter (mm)	Bolt Hole Circle (mm)	Num. of Holes
350	54.5	32	30.5	72	127	5

JEEP

MODEL	START Y.	END Y.
GRAND CHEROKEE IV (WK, WK2)	2010/06	

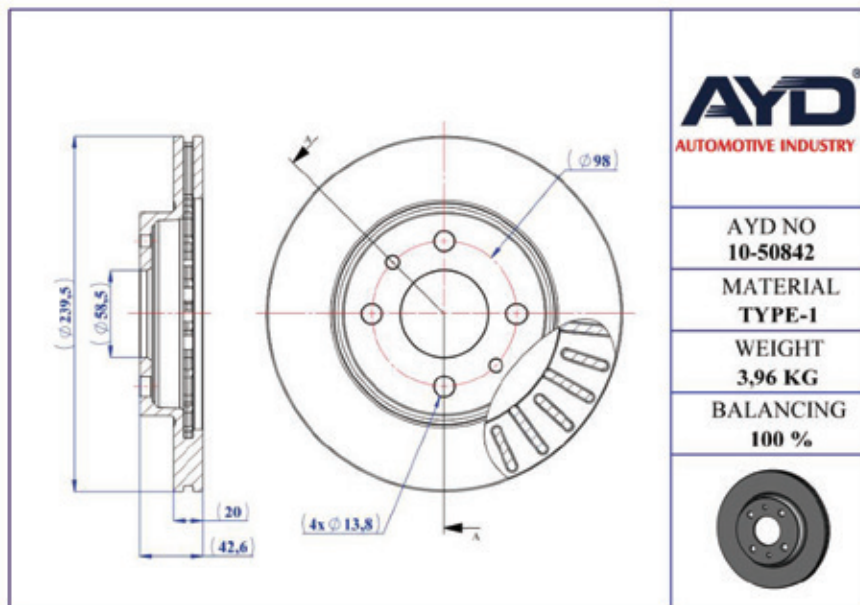


BRAKE DISC

- Front Axle
- Vented

- Safety
- Performance
- OEM Standarts
- AYD Quality

OE:
21100350107002
21103501070
21100350107000



AYD AUTOMOTIVE INDUSTRY
AYD NO 10-50842
MATERIAL TYPE-1
WEIGHT 3,96 KG
BALANCING 100 %



10-50842

Technical Specifications:

Diameter (mm)	Height (mm)	Brake Disc Thickness (mm)	Min. Thickness (mm)	Centering Diameter (mm)	Bolt Hole Circle (mm)	Num. of Holes
239.5	42.6	20	18	58.5	98	4+2

LADA

MODEL	START Y.	END Y.
110 (2110)	1995/01	2012/12
111 (2111)	1995/01	2009/02
112 (2112)	1995/01	2011/12
GRANTA (2190_)	2011/10	
GRANTA Liftback (2191_)	2014/05	
KALINA II Estate (2194_)	2013/05	2018/09
KALINA II Hatchback (2192_)	2013/05	2019/09
PRIORA Estate (2171)	2009/05	2015/12
PRIORA Hatchback (2172)	2008/02	2015/12
PRIORA Saloon (2170_)	2007/04	2018/07
SAMARA (2108, 2109, 2113, 2114)	1984/09	2013/12

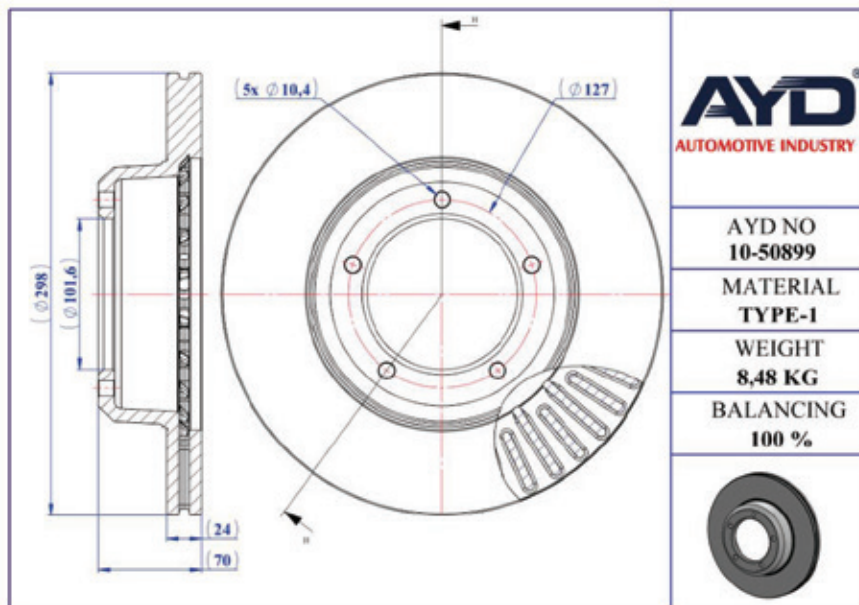
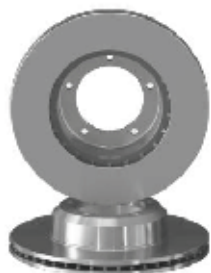


BRAKE DISC

- Front Axle
- Vented

- Safety
- Performance
- OEM Standarts
- AYD Quality

OE:
LR017952
FTC0902



AYD
AUTOMOTIVE INDUSTRY

AYD NO
10-50899

MATERIAL
TYPE-1

WEIGHT
8,48 KG

BALANCING
100 %



10-50899

Technical Specifications:

Diameter (mm)	Height (mm)	Brake Disc Thickness (mm)	Min. Thickness (mm)	Centering Diameter (mm)	Bolt Hole Circle (mm)	Num. of Holes
298	70	24	22	101.6	127	5

LAND ROVER

MODEL	START Y.	END Y.
DEFENDER Cabrio (L316)	1990/08	2016/02
DEFENDER Pick Up (L316)	1995/10	2016/05
DEFENDER Platform/Chassis (L316)	1990/09	2016/02
DEFENDER Station Wagon (L316)	1990/05	2016/02
DISCOVERY I (LJ)	1989/06	1998/12
RANGE ROVER I	1969/10	1996/04
RANGE ROVER II (P38A)	1994/07	2002/03

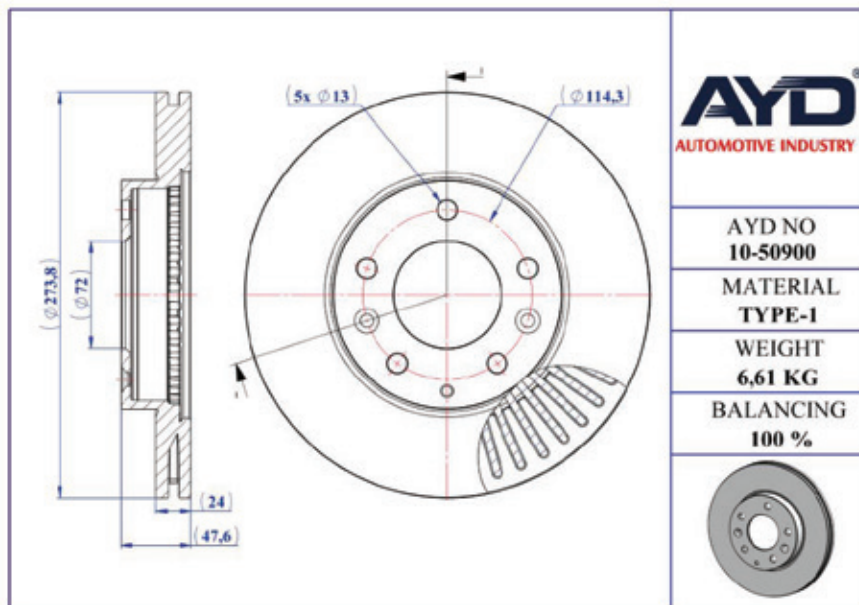


BRAKE DISC

- Front Axle
- Vented

- Safety
- Performance
- OEM Standards
- AYD Quality

OE:
GF3Y3325XA
GF3Y3325X
G25Y3325XA



AYD AUTOMOTIVE INDUSTRY
AYD NO 10-50900
MATERIAL TYPE-1
WEIGHT 6,61 KG
BALANCING 100 %



10-50900

Technical Specifications:

Diameter (mm)	Height (mm)	Brake Disc Thickness (mm)	Min. Thickness (mm)	Centering Diameter (mm)	Bolt Hole Circle (mm)	Num. of Holes
273.8	47.6	24	22	72	114.3	5+3

MAZDA

MODEL	START Y.	END Y.
323 F VI (BJ)	1998/09	2004/05
323 S VI (BJ)	1998/05	2004/05
6 Hatchback (GG)	2002/08	2008/12
6 Saloon (GG)	2002/06	2008/12
6 Station Wagon (GY)	2002/01	2008/02
626 V Station Wagon (GW)	1998/01	2002/12
PREMACY (CP)	1999/01	2005/03



BRAKE DISC

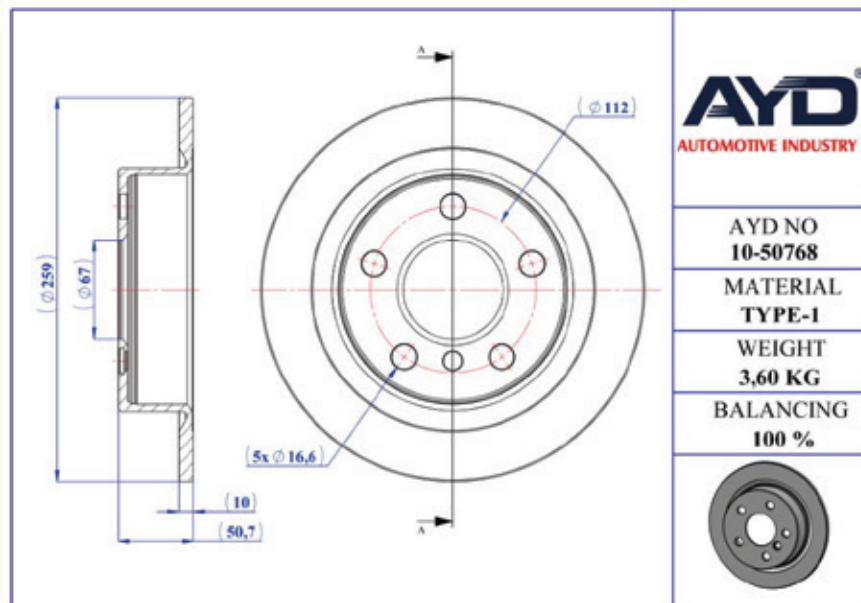
- Rear Axle
- Solid

- Safety
- Performance
- OEM Standards
- AYD Quality



OE:
34216799383

10-50768



AYD
AUTOMOTIVE INDUSTRY

AYD NO
10-50768

MATERIAL
TYPE-1

WEIGHT
3,60 KG

BALANCING
100 %



Technical Specifications:

Diameter (mm)	Height (mm)	Brake Disc Thickness (mm)	Min. Thickness (mm)	Centering Diameter (mm)	Bolt Hole Circle (mm)	Num. of Holes
259	50.7	10	8.4	67	112	5+1

MINI

MODEL	START Y.	END Y.
MINI (F55)	2013/09	
MINI (F56)	2013/12	
MINI Convertible (F57)	2014/11	



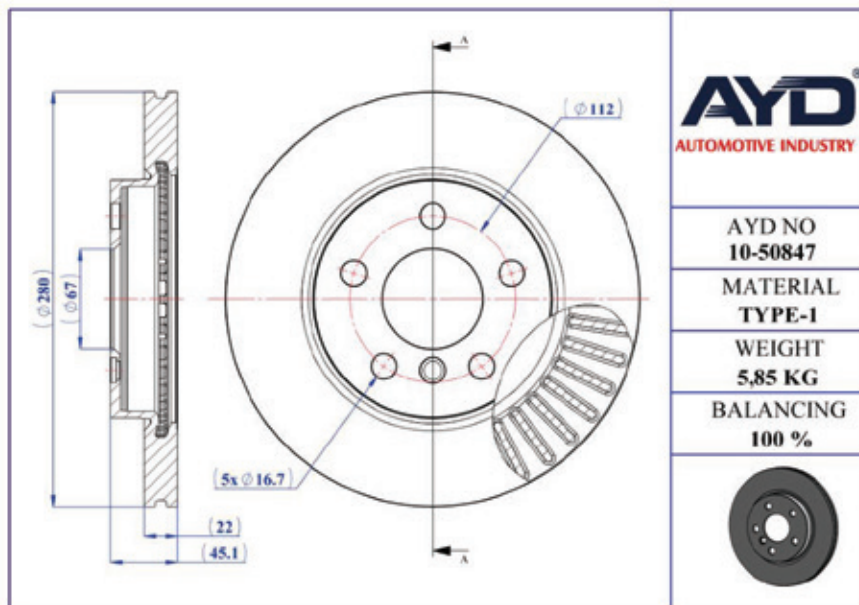
BRAKE DISC

- Front Axle
- Vented



- Safety
- Performance
- OEM Standards
- AYD Quality

OE:
34116866295
34116799347



AYD
AUTOMOTIVE INDUSTRY

AYD NO
10-50847

MATERIAL
TYPE-1

WEIGHT
5,85 KG

BALANCING
100 %



10-50847

Technical Specifications:

Diameter (mm)	Height (mm)	Brake Disc Thickness (mm)	Min. Thickness (mm)	Centering Diameter (mm)	Bolt Hole Circle (mm)	Num. of Holes
280	45.1	22	20.4	67	112	5+1

MINI

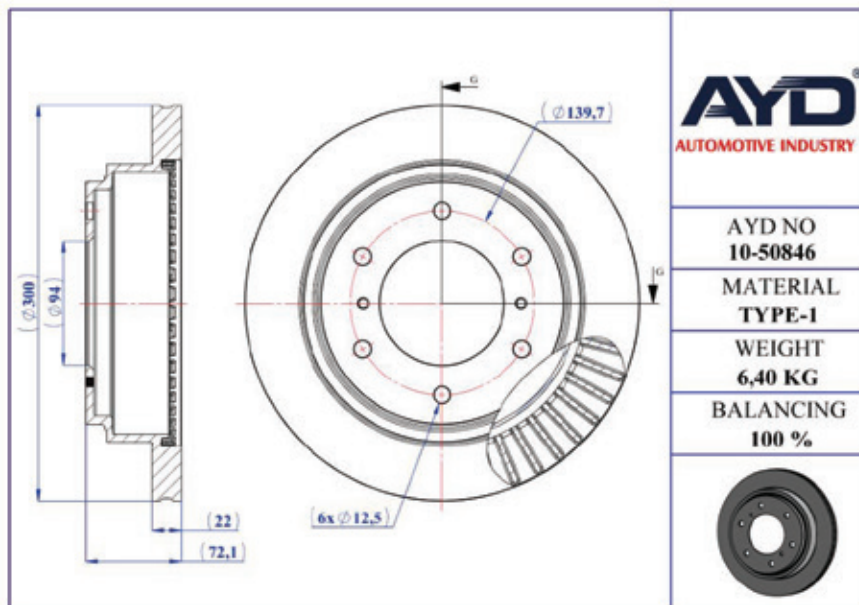
MODEL	START Y.	END Y.
MINI (F55)	2013/09	
MINI (F56)	2013/12	
MINI CLUBMAN (F54)	2014/11	
MINI Convertible (F57)	2014/11	



BRAKE DISC

- Rear Axle
- Vented

- Safety
- Performance
- OEM Standarts
- AYD Quality



AYD
AUTOMOTIVE INDUSTRY

AYD NO
10-50846

MATERIAL
TYPE-1

WEIGHT
6,40 KG

BALANCING
100 %



OE:
MR418067

10-50846

Technical Specifications:

Diameter (mm)	Height (mm)	Brake Disc Thickness (mm)	Min. Thickness (mm)	Centering Diameter (mm)	Bolt Hole Circle (mm)	Num. of Holes
300	72.1	22	20.4	94	139.7	6+2

MITSUBISHI

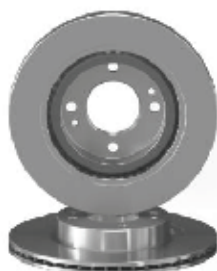
MODEL	START Y.	END Y.
PAJERO CLASSIC (V2_W, V6_W, V7_W)	2001/07	
PAJERO III (V7_W, V6_W)	1999/01	2007/09
PAJERO III Canvas Top (V6_W, V7_W)	2000/02	2006/12
PAJERO IV (V8_W, V9_W)	2006/10	
PAJERO IV Van (V9_, V8_, V8_V)	2006/11	



BRAKE DISC

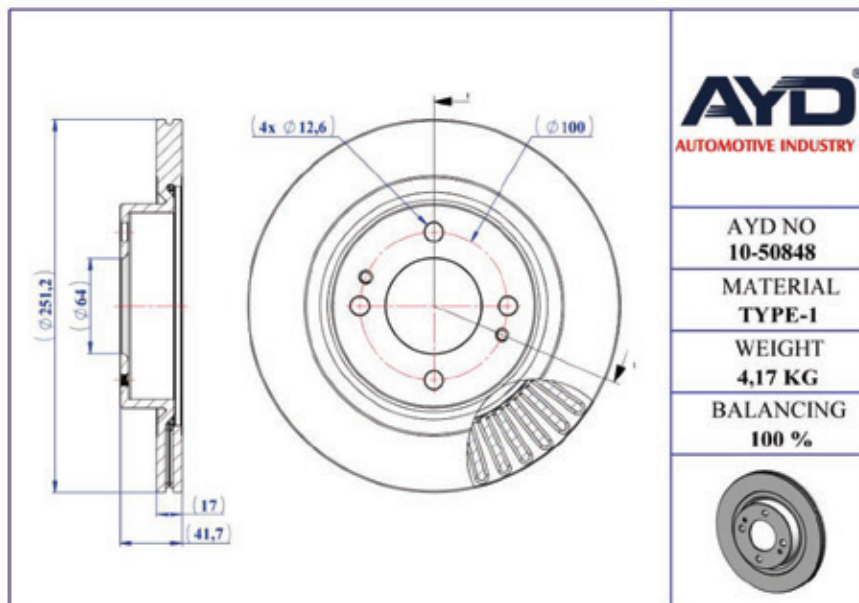
- Front Axle
- Vented

- Safety
- Performance
- OEM Standarts
- AYD Quality



OE:
4615A129

10-50848



AYD
AUTOMOTIVE INDUSTRY

AYD NO
10-50848

MATERIAL
TYPE-1

WEIGHT
4,17 KG

BALANCING
100 %



Technical Specifications:

Diameter (mm)	Height (mm)	Brake Disc Thickness (mm)	Min. Thickness (mm)	Centering Diameter (mm)	Bolt Hole Circle (mm)	Num. of Holes
251.2	41.7	17	15.4	64	100	4+2

MITSUBISHI

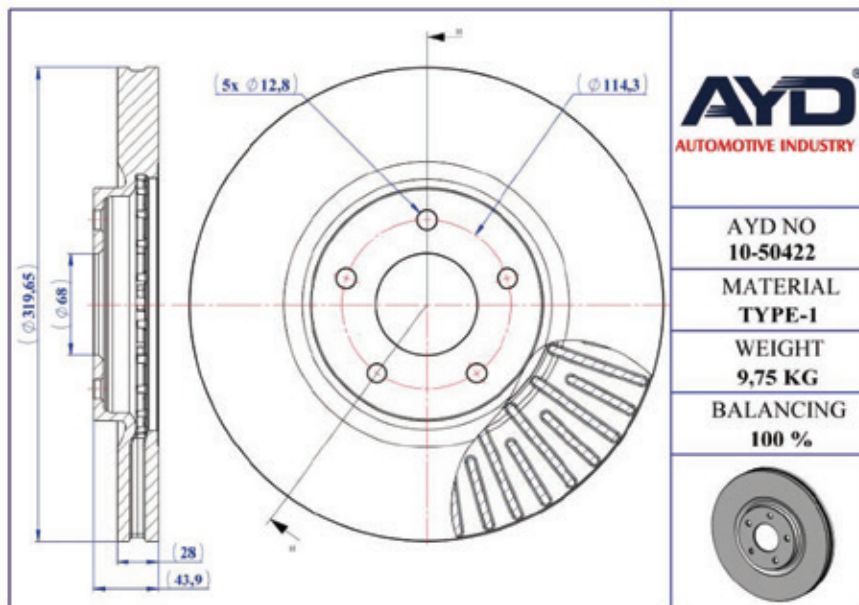
MODEL	START Y.	END Y.
MIRAGE / SPACE STAR VI Hatchback (A0_A)	2012/01	
MIRAGE VI Saloon (A1_A)	2013/07	



BRAKE DISC

- Front Axle
- Vented

- Safety
- Performance
- OEM Standarts
- AYD Quality



OE:
40206ET01A

10-50422

Technical Specifications:

Diameter (mm)	Height (mm)	Brake Disc Thickness (mm)	Min. Thickness (mm)	Centering Diameter (mm)	Bolt Hole Circle (mm)	Num. of Holes
319.65	43.9	28	26	68	114.3	5

NISSAN

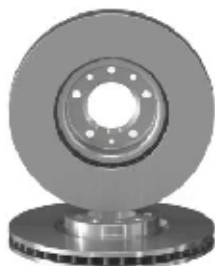
MODEL	START Y.	END Y.
JUKE (F15)	2010/06	
QASHQAI / QASHQAI +2 I (J10, NJ10, JJ10E)	2006/11	2014/04



BRAKE DISC

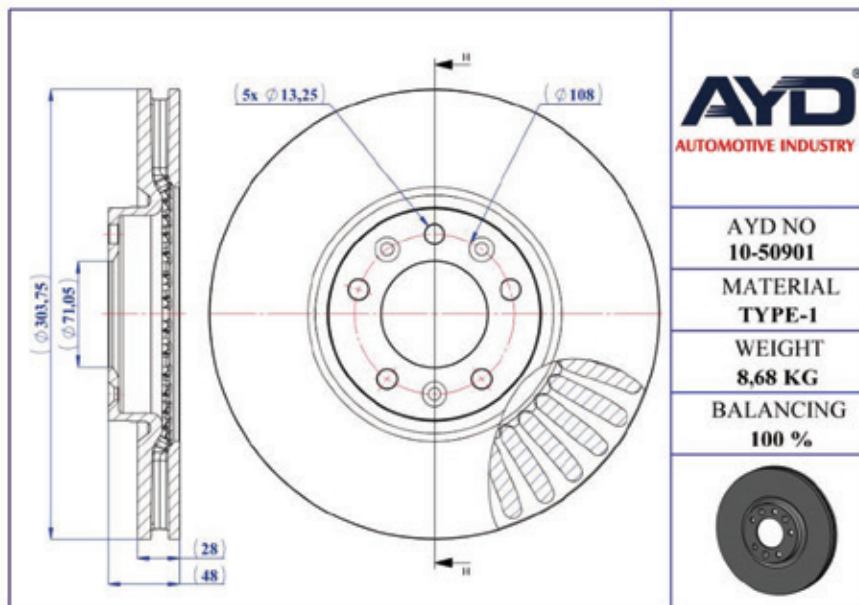
- Front Axle
- Vented

- Safety
- Performance
- OEM Standards
- AYD Quality



OE:
3641958

10-50901



AYD
AUTOMOTIVE INDUSTRY

AYD NO
10-50901

MATERIAL
TYPE-1

WEIGHT
8,68 KG

BALANCING
100 %



Technical Specifications:

Diameter (mm)	Height (mm)	Brake Disc Thickness (mm)	Min. Thickness (mm)	Centering Diameter (mm)	Bolt Hole Circle (mm)	Num. of Holes
303.75	48	28	26	71.05	108	5+3

OPEL

MODEL	START Y.	END Y.
ASTRA L (O5)	2021/10	
COMBO Box Body/MPV (K9)	2018/06	
COMBO E Tour / Life (K9)	2018/06	
GRANDLAND / GRANDLAND X (A18, P1UO)	2017/06	
GRANDLAND X Van	2017/06	

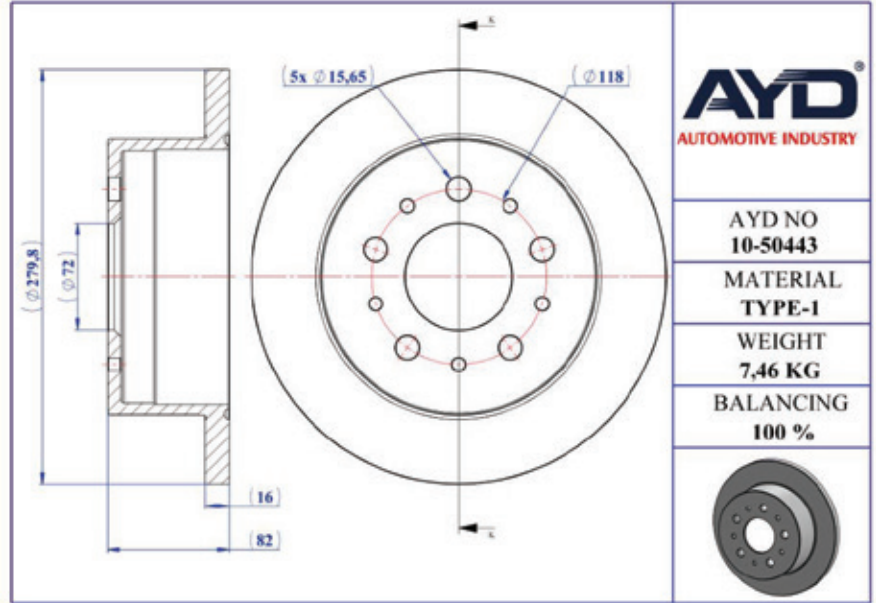


BRAKE DISC

- Rear Axle
- Solid

- Safety
- Performance
- OEM Standards
- AYD Quality

OE:
1618862980
1606306680
4249L0



AYD
AUTOMOTIVE INDUSTRY

AYD NO
10-50443

MATERIAL
TYPE-1

WEIGHT
7,46 KG

BALANCING
100 %



10-50443

Technical Specifications:

Diameter (mm)	Height (mm)	Brake Disc Thickness (mm)	Min. Thickness (mm)	Centering Diameter (mm)	Bolt Hole Circle (mm)	Num. of Holes
279.8	82	16	14.2	72	118	5+5

PEUGEOT

MODEL	START Y.	END Y.
BOXER Bus (230P)	1994/03	2002/04
BOXER Bus (244, Z_)	2001/12	
BOXER Platform/Chassis (244)	2001/12	
BOXER Platform/Chassis (ZCT_)	1994/03	2002/04
BOXER Van (230L)	1994/03	2005/08
BOXER Van (244)	2001/12	



BRAKE DISC

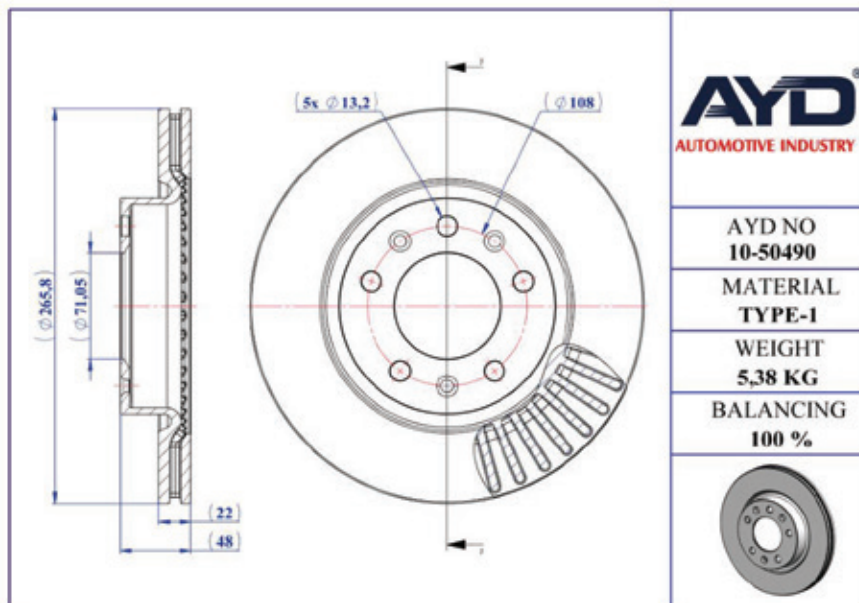
- Front Axle
- Vented

- Safety
- Performance
- OEM Standards
- AYD Quality



OE:
1610704680

10-50490



AYD
AUTOMOTIVE INDUSTRY

AYD NO
10-50490

MATERIAL
TYPE-1

WEIGHT
5,38 KG

BALANCING
100 %



Technical Specifications:

Diameter (mm)	Height (mm)	Brake Disc Thickness (mm)	Min. Thickness (mm)	Centering Diameter (mm)	Bolt Hole Circle (mm)	Num. of Holes
265.8	48	22	20	71.05	108	5+3

PEUGEOT

MODEL	START Y.	END Y.
308 II (LB_, LP_, LW_, LH_, L3_)	2013/09	2021/06
308 SW II (LC_, LJ_, LR_, LX_, L4_)	2014/03	2021/06

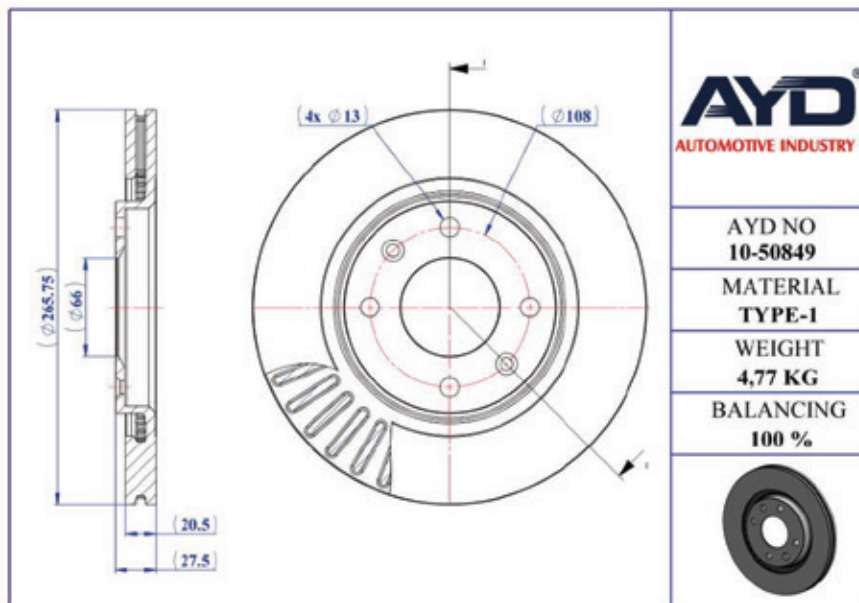
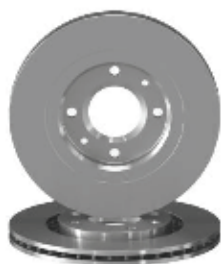


BRAKE DISC

- Front Axle
- Vented

- Safety
- Performance
- OEM Standarts
- AYD Quality

OE:
1618859780
4246R5



AYD
AUTOMOTIVE INDUSTRY

AYD NO
10-50849

MATERIAL
TYPE-1

WEIGHT
4,77 KG

BALANCING
100 %



10-50849

Technical Specifications:

Diameter (mm)	Height (mm)	Brake Disc Thickness (mm)	Min. Thickness (mm)	Centering Diameter (mm)	Bolt Hole Circle (mm)	Num. of Holes
265.75	27.5	20.5	18.5	66	108	4+2

PEUGEOT

MODEL	START Y.	END Y.
206 CC (2D)	2000/09	2008/12
206 Hatchback (2A/C)	1998/08	2012/12
305 II (581M)	1982/10	1990/07
305 II Break (581E)	1982/10	1990/07
306 (7B, N3, N5)	1993/04	2003/10
306 Break (7E, N3, N5)	1994/06	2002/12
306 Convertible (7D, N3, N5)	1994/01	2002/04
306 Hatchback (7A, 7C, N3, N5)	1993/01	2003/10
405 I (15B)	1987/01	1993/12
405 I Break (15E)	1987/06	1992/08
405 II (4B)	1992/01	1999/12

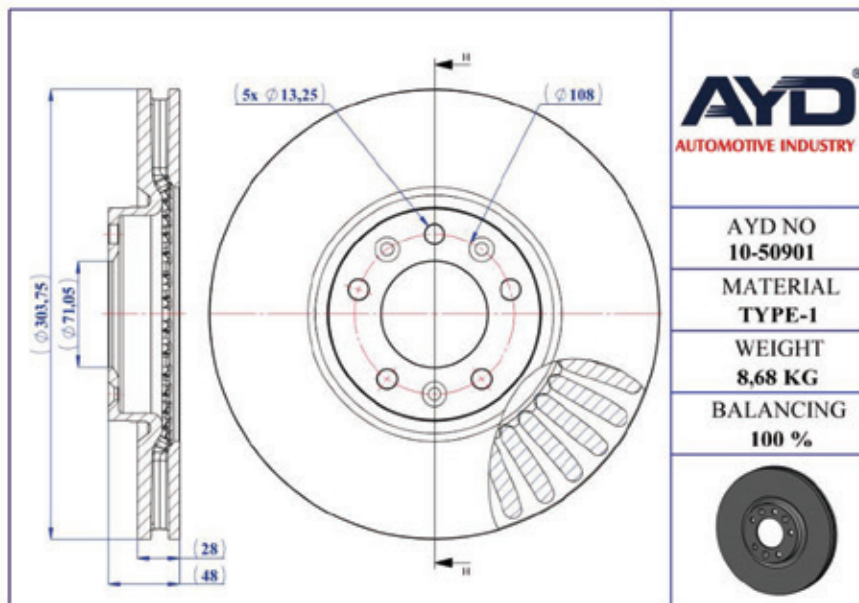
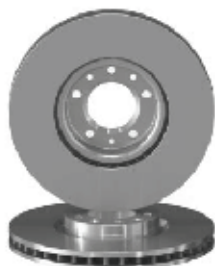


BRAKE DISC

- Front Axle
- Vented

- Safety
- Performance
- OEM Standarts
- AYD Quality

OE:
1642760480
4249K1
424993



AYD
AUTOMOTIVE INDUSTRY

AYD NO
10-50901

MATERIAL
TYPE-1

WEIGHT
8,68 KG

BALANCING
100 %



10-50901

Technical Specifications:

Diameter (mm)	Height (mm)	Brake Disc Thickness (mm)	Min. Thickness (mm)	Centering Diameter (mm)	Bolt Hole Circle (mm)	Num. of Holes
303.75	48	28	26	71.05	108	5+3

PEUGEOT

MODEL	START Y.	END Y.
3008 SUV (MC_, MR_, MJ_, M4_)	2016/05	
3008 Van (MR_, MC_, MJ_)	2016/05	
308 Hatchback Van (LB_)	2015/03	
308 II (LB_, LP_, LW_, LH_, L3_)	2013/09	2021/06
308 III (FB_, FH_, FP_, F3_)	2021/07	
308 SW II (LC_, LJ_, LR_, LX_, L4_)	2014/03	2021/06
308 SW II Estate Van (LC_)	2014/04	
308 SW III (FC_, FJ_, FR_, F4_)	2021/07	
407 (6D_)	2004/02	2011/12
407 SW (6E_)	2004/05	2011/12
408 II (FP_, F3_)	2022/07	

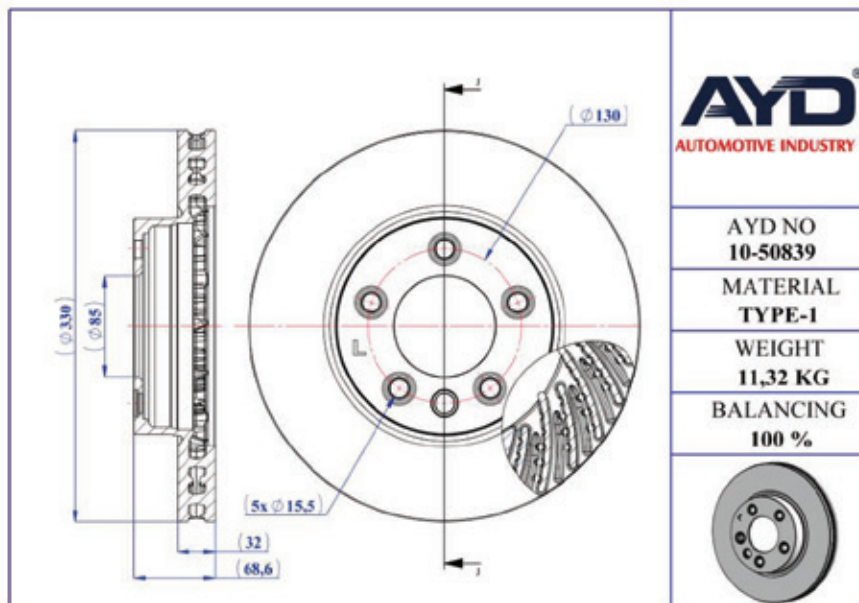


BRAKE DISC

- Front Axle Left
- Vented

- Safety
- Performance
- OEM Standarts
- AYD Quality

OE:
95535140141
95535140140
95535140100



AYD
AUTOMOTIVE INDUSTRY

AYD NO
10-50839

MATERIAL
TYPE-1

WEIGHT
11,32 KG

BALANCING
100 %



10-50839

Technical Specifications:

Diameter (mm)	Height (mm)	Brake Disc Thickness (mm)	Min. Thickness (mm)	Centering Diameter (mm)	Bolt Hole Circle (mm)	Num. of Holes
330	68.6	32	30	85	130	5+1

PORSCHE

MODEL	START Y.	END Y.
CAYENNE (9PA)	2002/09	2010/12

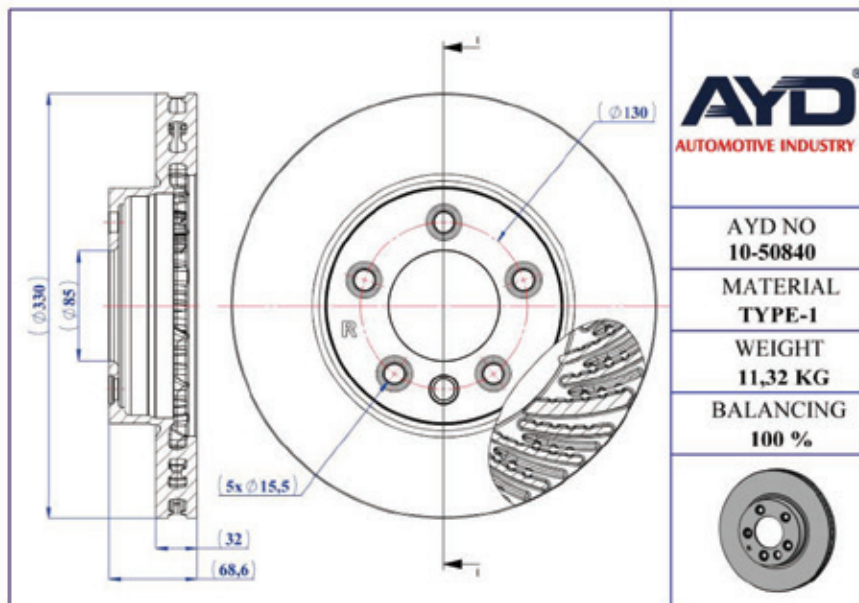


BRAKE DISC

- Front Axle Right
- Vented

- Safety
- Performance
- OEM Standarts
- AYD Quality

OE:
95535140241
95535140240
95535140200



AYD
AUTOMOTIVE INDUSTRY

AYD NO
10-50840

MATERIAL
TYPE-1

WEIGHT
11,32 KG

BALANCING
100 %



10-50840

Technical Specifications:

Diameter (mm)	Height (mm)	Brake Disc Thickness (mm)	Min. Thickness (mm)	Centering Diameter (mm)	Bolt Hole Circle (mm)	Num. of Holes
330	68.6	32	30	85	130	5+1

PORSCHE

MODEL	START Y.	END Y.
CAYENNE (9PA)	2002/09	2010/12

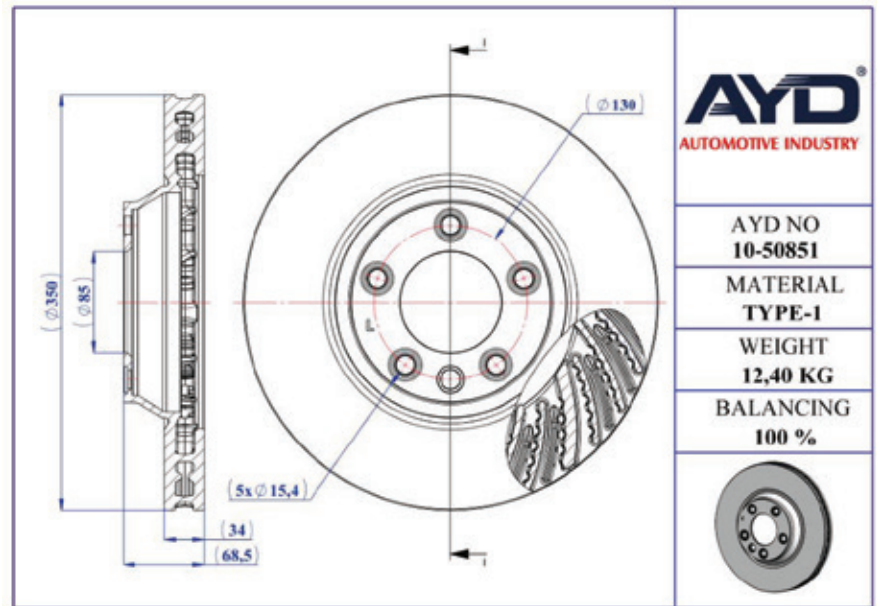


BRAKE DISC

- Front Axle Left
- Vented

- Safety
- Performance
- OEM Standarts
- AYD Quality

OE:
95535140151
95535140150



AYD
AUTOMOTIVE INDUSTRY

AYD NO
10-50851

MATERIAL
TYPE-1

WEIGHT
12,40 KG

BALANCING
100 %



10-50851

Technical Specifications:

Diameter (mm)	Height (mm)	Brake Disc Thickness (mm)	Min. Thickness (mm)	Centering Diameter (mm)	Bolt Hole Circle (mm)	Num. of Holes
350	68.5	34	32	85	130	5+1

PORSCHE

MODEL	START Y.	END Y.
CAYENNE (9PA)	2002/09	2010/12



BRAKE DISC

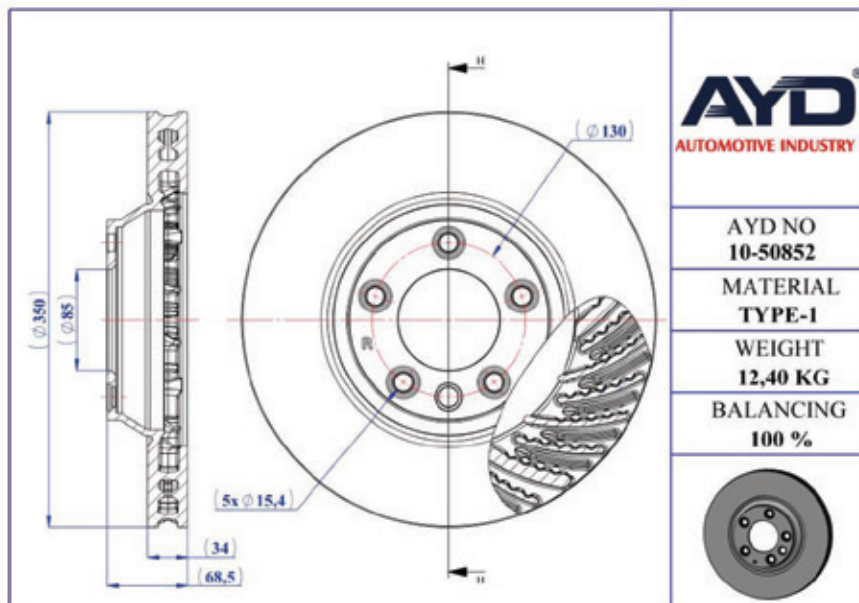
- Front Axle Right
- Vented

- Safety
- Performance
- OEM Standarts
- AYD Quality



OE:
95535140251
95535140250

10-50852



AYD
AUTOMOTIVE INDUSTRY

AYD NO 10-50852
MATERIAL TYPE-1
WEIGHT 12,40 KG
BALANCING 100 %



Technical Specifications:

Diameter (mm)	Height (mm)	Brake Disc Thickness (mm)	Min. Thickness (mm)	Centering Diameter (mm)	Bolt Hole Circle (mm)	Num. of Holes
350	68.5	34	32	85	130	5+2

PORSCHE

MODEL	START Y.	END Y.
CAYENNE (9PA)	2002/09	2010/12

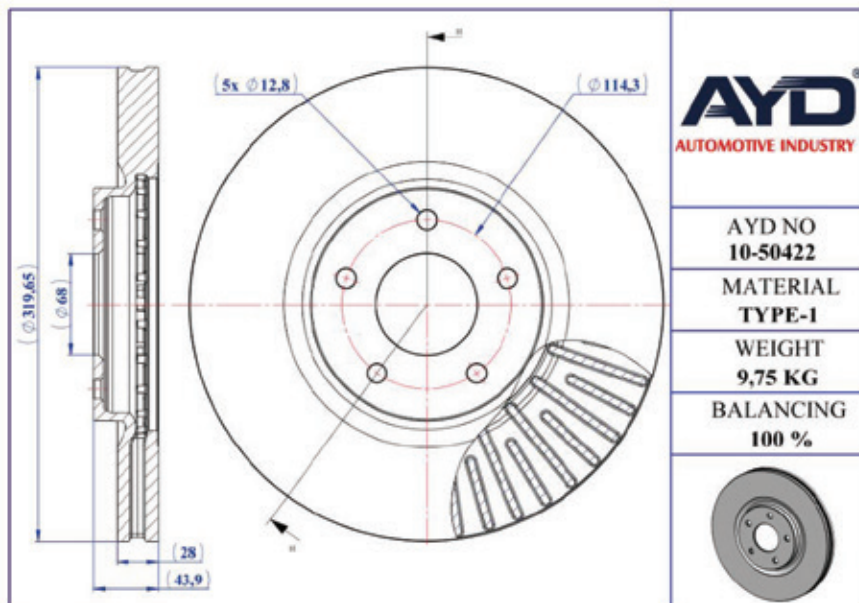


BRAKE DISC

- Front Axle
- Vented

- Safety
- Performance
- OEM Standarts
- AYD Quality

OE:
40206JY01A
402069828R



AYD
AUTOMOTIVE INDUSTRY

AYD NO
10-50422

MATERIAL
TYPE-1

WEIGHT
9,75 KG

BALANCING
100 %



10-50422

Technical Specifications:

Diameter (mm)	Height (mm)	Brake Disc Thickness (mm)	Min. Thickness (mm)	Centering Diameter (mm)	Bolt Hole Circle (mm)	Num. of Holes
319.65	43.9	28	26	68	114.3	5

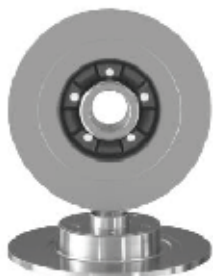
RENAULT

MODEL	START Y.	END Y.
KOLEOS I (HY_)	2008/09	



BRAKE DISC

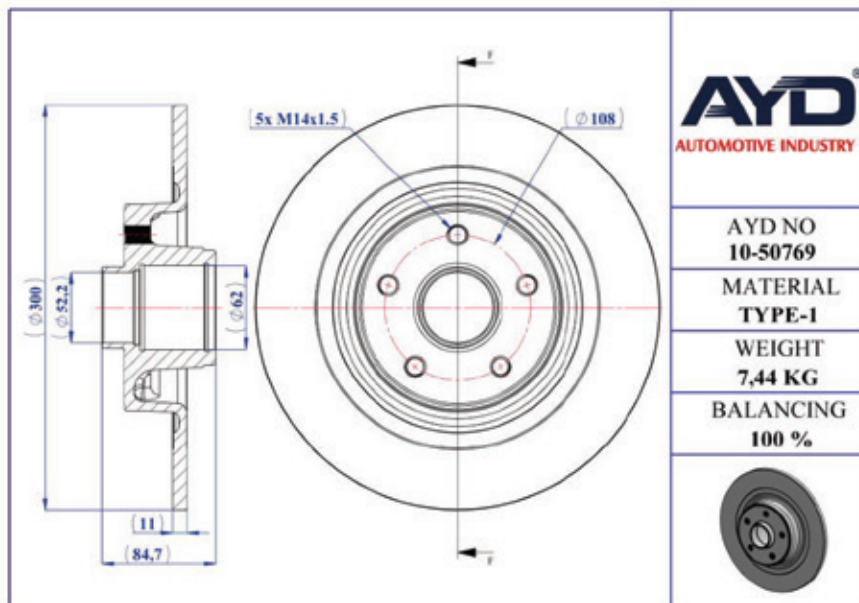
- Rear Axle
- Solid



- Safety
- Performance
- OEM Standarts
- AYD Quality

OE:
8200244108
432025945R
402021651R

10-50769



AYD
AUTOMOTIVE INDUSTRY

AYD NO
10-50769

MATERIAL
TYPE-1

WEIGHT
7,44 KG

BALANCING
100 %



Technical Specifications:

Diameter (mm)	Height (mm)	Brake Disc Thickness (mm)	Min. Thickness (mm)	Centering Diameter (mm)	Bolt Hole Circle (mm)	Num. of Holes
300	84.7	11	9.5	62	108	5

RENAULT

MODEL	START Y.	END Y.
ESPACE IV (JK0/1_)	2002/11	
VEL SATIS (BJ0_)	2002/06	



BRAKE DISC

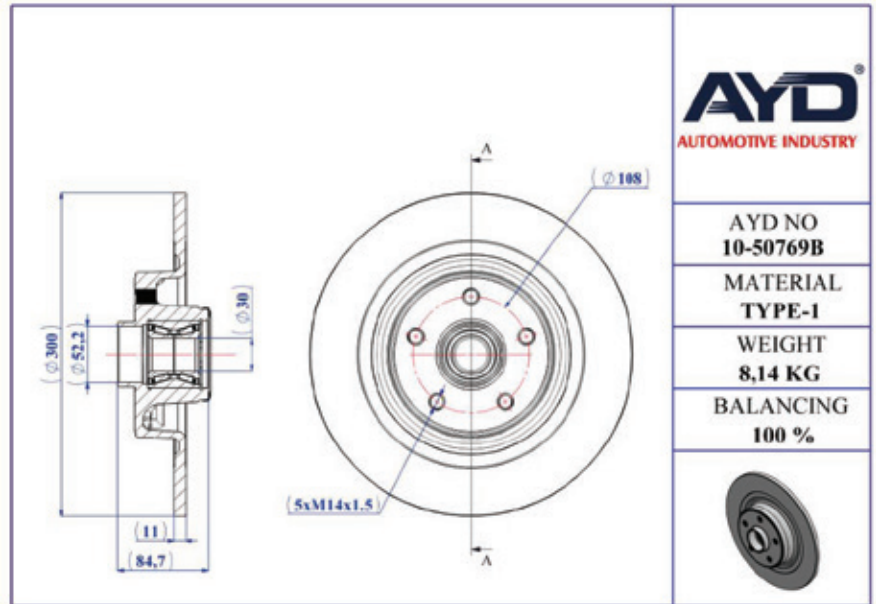
- Rear Axle
- Solid
- with bearing



- Safety
- Performance
- OEM Standarts
- AYD Quality

OE:
432025945R-B

10-50769B



AYD AUTOMOTIVE INDUSTRY
AYD NO 10-50769B
MATERIAL TYPE-1
WEIGHT 8,14 KG
BALANCING 100 %



Technical Specifications:

Diameter (mm)	Height (mm)	Brake Disc Thickness (mm)	Min. Thickness (mm)	Centering Diameter (mm)	Bolt Hole Circle (mm)	Num. of Holes
300	84.7	11	9.5	62	108	5

RENAULT

MODEL	START Y.	END Y.
ESPACE IV (JK0/1_)	2002/11	
VEL SATIS (BJ0_)	2002/06	



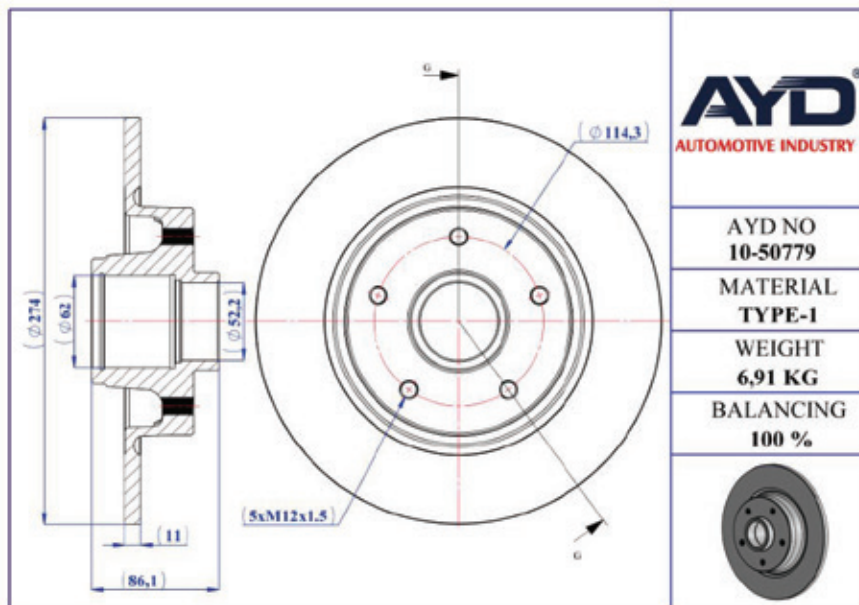
BRAKE DISC

- Rear Axle
- Solid



- Safety
- Performance
- OEM Standards
- AYD Quality

OE:
432020984R
432000007R
402029646R



AYD AUTOMOTIVE INDUSTRY
AYD NO 10-50779
MATERIAL TYPE-1
WEIGHT 6,91 KG
BALANCING 100 %



10-50779

Technical Specifications:

Diameter (mm)	Height (mm)	Brake Disc Thickness (mm)	Min. Thickness (mm)	Centering Diameter (mm)	Bolt Hole Circle (mm)	Num. of Holes
274	86.1	11	9.5	62	114.3	5

RENAULT

MODEL	START Y.	END Y.
FLUENCE (L3_)	2010/02	
GRAND SCÉNIC III (JZ0/1_)	2009/02	
SCÉNIC III (JZ0/1_)	2008/12	



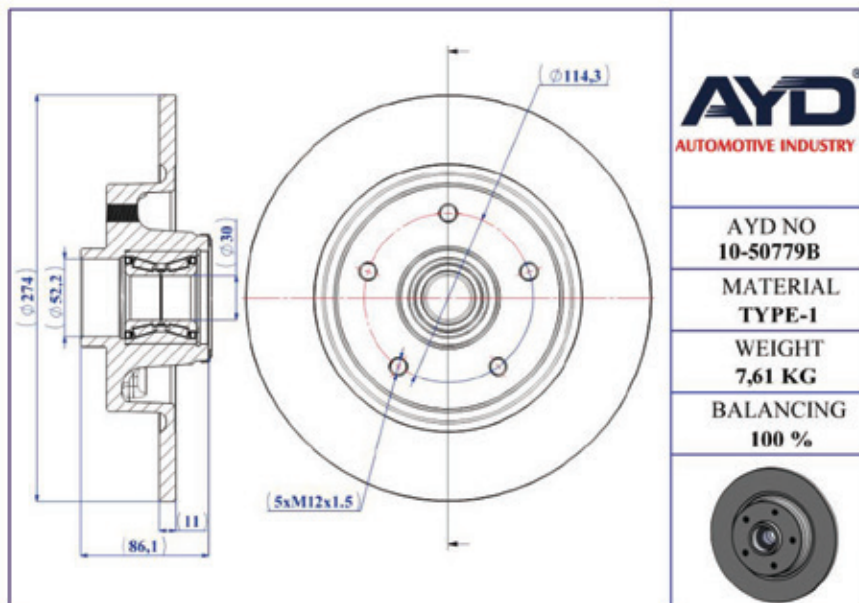
BRAKE DISC

- Rear Axle
- Solid
- with bearing



- Safety
- Performance
- OEM Standarts
- AYD Quality

OE:
432020984R-B
432000007R-B
402029646R-B



AYD
AUTOMOTIVE INDUSTRY

AYD NO
10-50779B

MATERIAL
TYPE-1

WEIGHT
7,61 KG

BALANCING
100 %



10-50779B

Technical Specifications:

Diameter (mm)	Height (mm)	Brake Disc Thickness (mm)	Min. Thickness (mm)	Centering Diameter (mm)	Bolt Hole Circle (mm)	Num. of Holes
274	86.1	11	9.5	62	114.3	5

RENAULT

MODEL	START Y.	END Y.
FLUENCE (L3_)	2010/02	
GRAND SCÉNIC III (JZ0/1_)	2009/02	
SCÉNIC III (JZ0/1_)	2008/12	

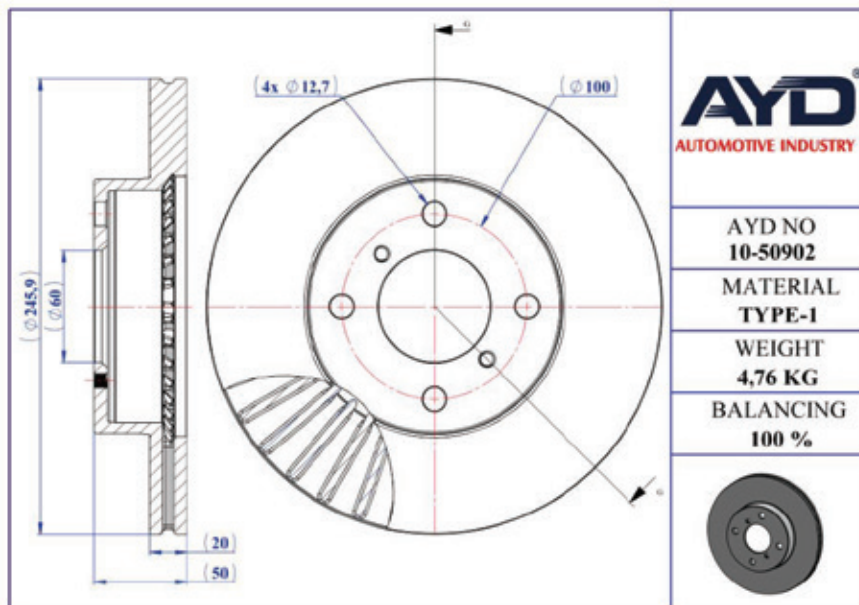


BRAKE DISC

- Front Axle
- Vented

- Safety
- Performance
- OEM Standards
- AYD Quality

OE:
5531162G03
5531162G02
5531162G01



AYD
AUTOMOTIVE INDUSTRY

AYD NO
10-50902

MATERIAL
TYPE-1

WEIGHT
4,76 KG

BALANCING
100 %



10-50902

Technical Specifications:

Diameter (mm)	Height (mm)	Brake Disc Thickness (mm)	Min. Thickness (mm)	Centering Diameter (mm)	Bolt Hole Circle (mm)	Num. of Holes
245.9	50	20	18	60	100	4+2

SUZUKI

MODEL	START Y.	END Y.
BALENO (EG)	1995/03	2009/12
BALENO Estate (EG)	1995/04	2005/04
BALENO Hatchback (EG)	1995/03	2002/05
LIANA (ER, RH_)	2001/10	
LIANA Hatchback	2001/06	



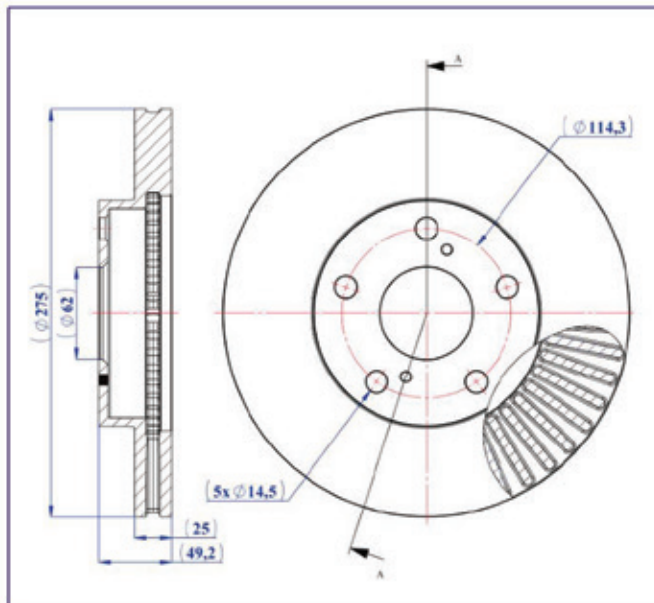
BRAKE DISC

- Front Axle
- Vented



- Safety
- Performance
- OEM Standarts
- AYD Quality

OE:
4351242032
4351242030
4351242031



AYD NO
10-50843

MATERIAL
TYPE-1

WEIGHT
6,82 KG

BALANCING
100 %



10-50843

Technical Specifications:

Diameter (mm)	Height (mm)	Brake Disc Thickness (mm)	Min. Thickness (mm)	Centering Diameter (mm)	Bolt Hole Circle (mm)	Num. of Holes
275	49.2	25	23	62	114.3	5+2

TOYOTA

MODEL	START Y.	END Y.
RAV 4 II (_A2_)	2000/05	2005/11



BRAKE DISC

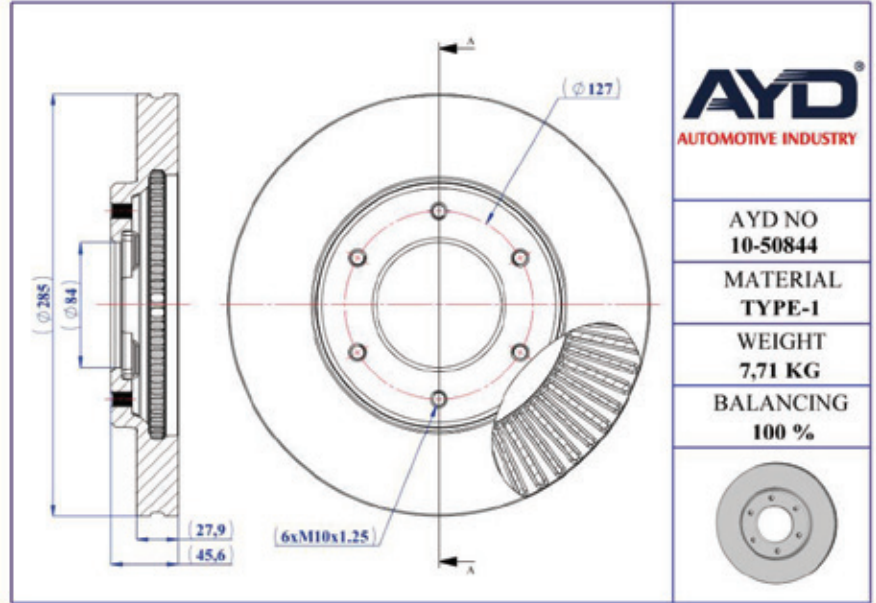
- Front Axle
- Vented

- Safety
- Performance
- OEM Standards
- AYD Quality



OE:
4351226140
4351226160

10-50844



Technical Specifications:

Diameter (mm)	Height (mm)	Brake Disc Thickness (mm)	Min. Thickness (mm)	Centering Diameter (mm)	Bolt Hole Circle (mm)	Num. of Holes
285	45.6	27.9	26	84	127	6

TOYOTA

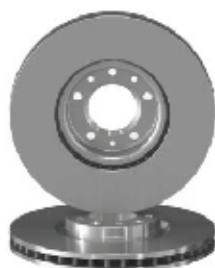
MODEL	START Y.	END Y.
HIACE/COMMUTER V Bus(TRH2__,KDH2__,LH2__,GDH2__)	2004/08	
HIACE IV Bus (__H1__, __H2__)	1995/08	2012/12
HIACE IV Bus (__H1__)	1987/08	2004/12
HIACE IV Van (__H1__, __H2__)	1995/08	2012/12
HIACE V Van (TRH2__, KDH2__, LH2__, GDH2__)	2004/06	



BRAKE DISC

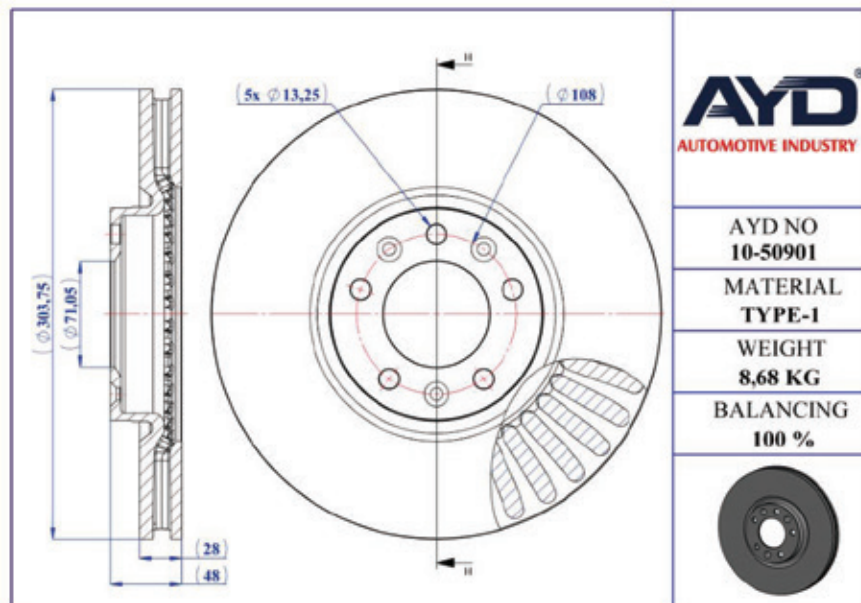
- Front Axle
- Vented

- Safety
- Performance
- OEM Standarts
- AYD Quality



OE:
SU001A9002

10-50901



AYD
AUTOMOTIVE INDUSTRY

AYD NO
10-50901

MATERIAL
TYPE-1

WEIGHT
8,68 KG

BALANCING
100 %



Technical Specifications:

Diameter (mm)	Height (mm)	Brake Disc Thickness (mm)	Min. Thickness (mm)	Centering Diameter (mm)	Bolt Hole Circle (mm)	Num. of Holes
303.75	48	28	26	71.05	108	5+3

TOYOTA

MODEL	START Y.	END Y.
PROACE CITY Box Body/MPV	2019/10	
PROACE CITY VERSO MPV	2019/10	



BRAKE DISC

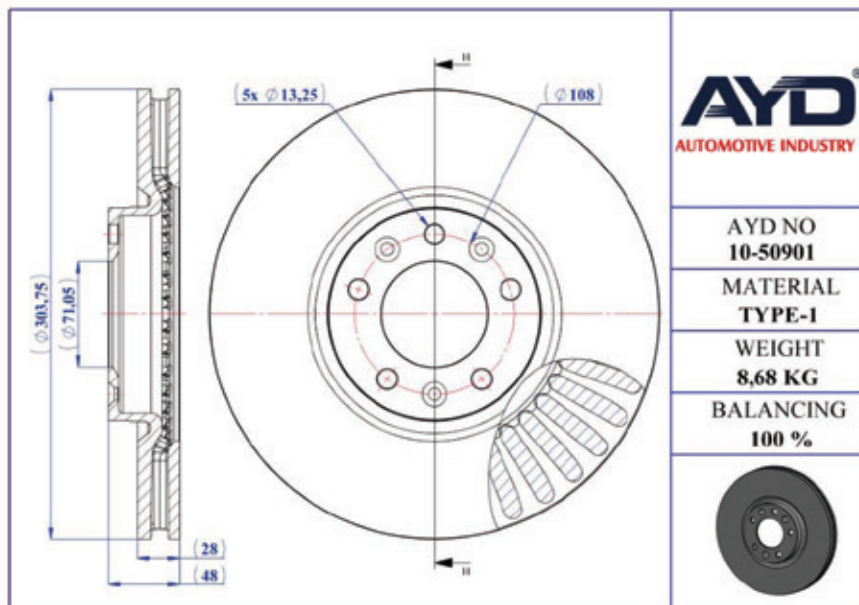
- Front Axle
- Vented

- Safety
- Performance
- OEM Standarts
- AYD Quality



OE:
3641958

10-50901



AYD
AUTOMOTIVE INDUSTRY

AYD NO
10-50901

MATERIAL
TYPE-1

WEIGHT
8,68 KG

BALANCING
100 %



Technical Specifications:

Diameter (mm)	Height (mm)	Brake Disc Thickness (mm)	Min. Thickness (mm)	Centering Diameter (mm)	Bolt Hole Circle (mm)	Num. of Holes
303.75	48	28	26	71.05	108	5+3

VAUXHALL

MODEL	START Y.	END Y.
COMBO Mk IV (E) Box Body/MPV (K9)	2018/06	
COMBO Mk IV (E) Life (K9)	2018/06	
GRANDLAND X / GRANDLAND (A18)	2017/06	



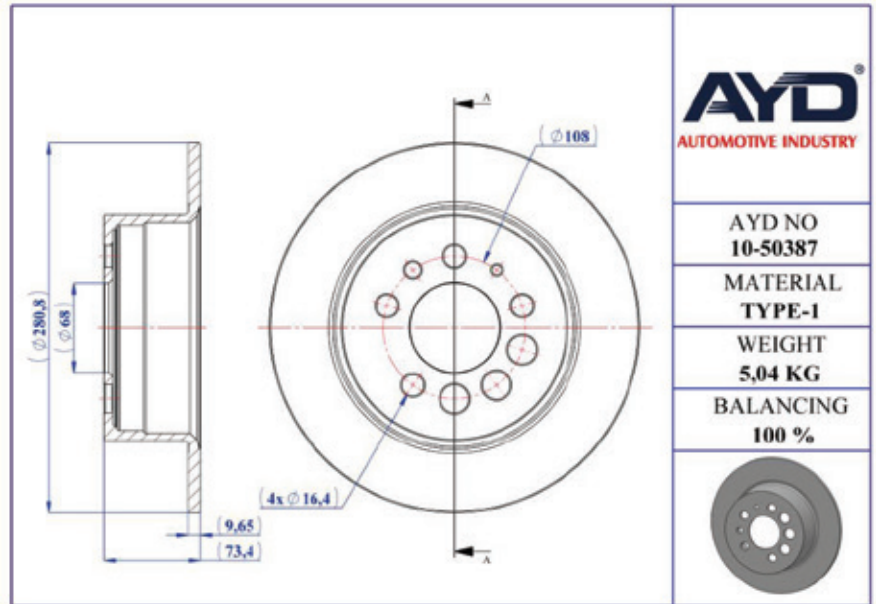
BRAKE DISC

- Rear Axle
- Solid



- Safety
- Performance
- OEM Standarts
- AYD Quality

OE:
1205782
2707362
12057824



AYD
AUTOMOTIVE INDUSTRY

AYD NO
10-50387

MATERIAL
TYPE-1

WEIGHT
5,04 KG

BALANCING
100 %



10-50387

Technical Specifications:

Diameter (mm)	Height (mm)	Brake Disc Thickness (mm)	Min. Thickness (mm)	Centering Diameter (mm)	Bolt Hole Circle (mm)	Num. of Holes
280.8	73.4	9.65	8.6	68	108	4+5

VOLVO

MODEL	START Y.	END Y.
240 (P242, P244)	1974/08	1993/12
240 Kombi (P245)	1974/08	1993/12
260 (P262, P264)	1974/08	1982/07
260 Coupe (P262)	1975/09	1985/12
260 Estate (P265)	1975/07	1982/07
740 (744)	1983/04	1992/12
740 Kombi (745)	1984/08	1992/12
760 (704, 764)	1981/08	1992/07
760 Kombi (704, 765)	1982/01	1992/07
780 (782)	1986/04	1990/11
940 (944)	1990/08	1995/03

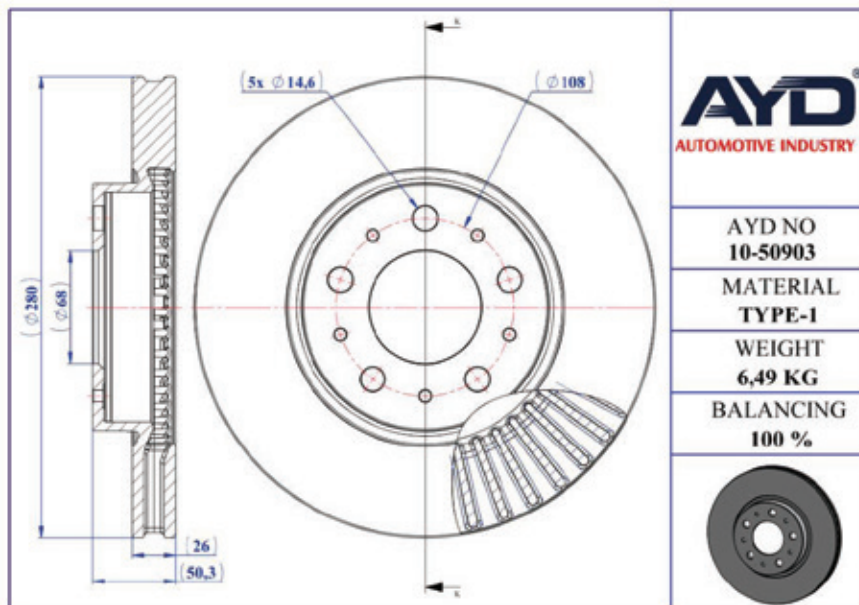


BRAKE DISC

- Front Axle
- Vented

- Safety
- Performance
- OEM Standards
- AYD Quality

OE:
2717882
271788
2717880



AYD
AUTOMOTIVE INDUSTRY

AYD NO
10-50903

MATERIAL
TYPE-1

WEIGHT
6,49 KG

BALANCING
100 %



10-50903

Technical Specifications:

Diameter (mm)	Height (mm)	Brake Disc Thickness (mm)	Min. Thickness (mm)	Centering Diameter (mm)	Bolt Hole Circle (mm)	Num. of Holes
280	50.3	26	23	68	108	5+5

VOLVO

MODEL	START Y.	END Y.
850 (854)	1991/06	1997/10
850 Estate (855)	1992/04	1997/10
960 II (964)	1994/07	1996/12
960 II Estate (965)	1994/07	1996/12
C70 I Convertible (873)	1998/03	2005/10
C70 I Coupe (872)	1997/03	2002/09
S70 (874)	1996/11	2000/11
S90 I (964)	1996/11	1998/12
V70 I (875, 876)	1995/12	2000/12
V90 I Estate (965)	1996/11	1998/12

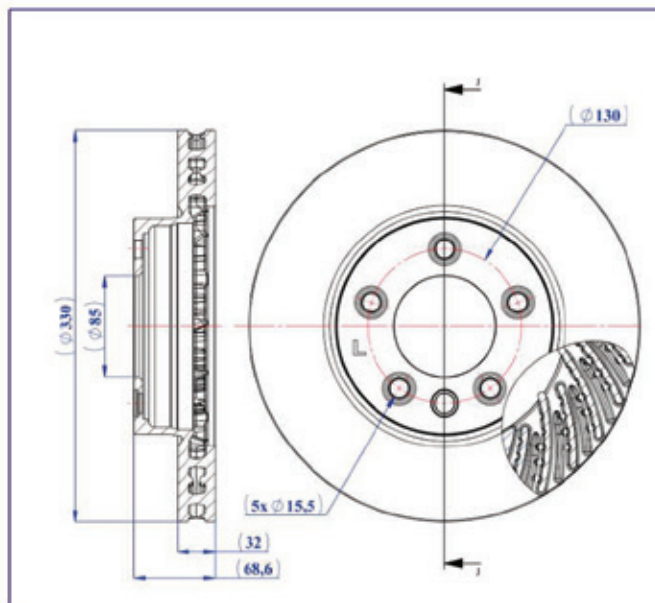


BRAKE DISC

- Front Axle Left
- Vented

- Safety
- Performance
- OEM Standarts
- AYD Quality

OE:
7L6615301P
7L6615301J
7L6615301N



AYD
AUTOMOTIVE INDUSTRY

AYD NO
10-50839

MATERIAL
TYPE-1

WEIGHT
11,32 KG

BALANCING
100 %



10-50839

Technical Specifications:

Diameter (mm)	Height (mm)	Brake Disc Thickness (mm)	Min. Thickness (mm)	Centering Diameter (mm)	Bolt Hole Circle (mm)	Num. of Holes
330	68.6	32	30	85	130	5+1

VW

MODEL	START Y.	END Y.
TOUAREG (7LA, 7L6, 7L7)	2002/10	2013/01
TOUAREG (7P5, 7P6)	2010/01	2018/12

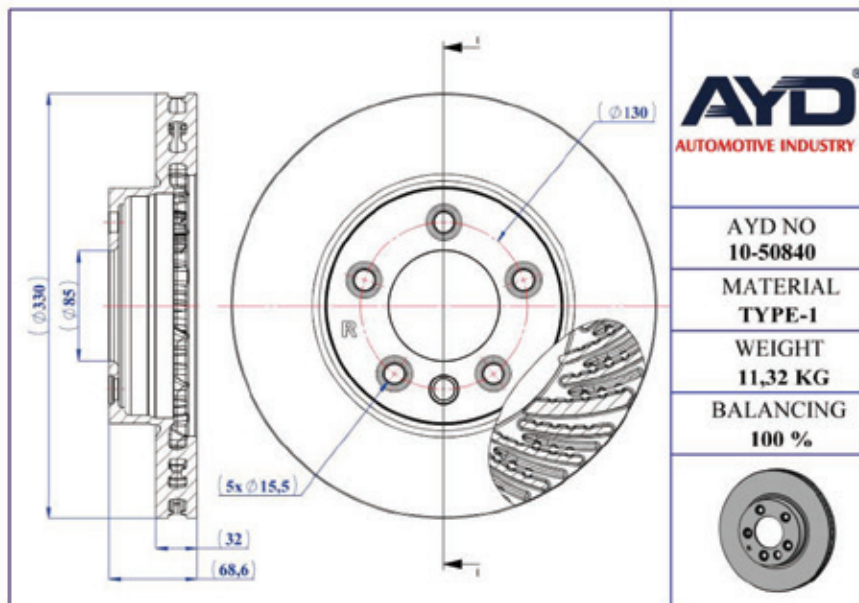


BRAKE DISC

- Front Axle Right
- Vented

- Safety
- Performance
- OEM Standarts
- AYD Quality

OE:
7L6615302P
7L6615302J
7L6615302D



10-50840

Technical Specifications:

Diameter (mm)	Height (mm)	Brake Disc Thickness (mm)	Min. Thickness (mm)	Centering Diameter (mm)	Bolt Hole Circle (mm)	Num. of Holes
330	68.6	32	30	85	130	5+1

VW

MODEL	START Y.	END Y.
TOUAREG (7LA, 7L6, 7L7)	2002/10	2013/01
TOUAREG (7P5, 7P6)	2010/01	2018/12

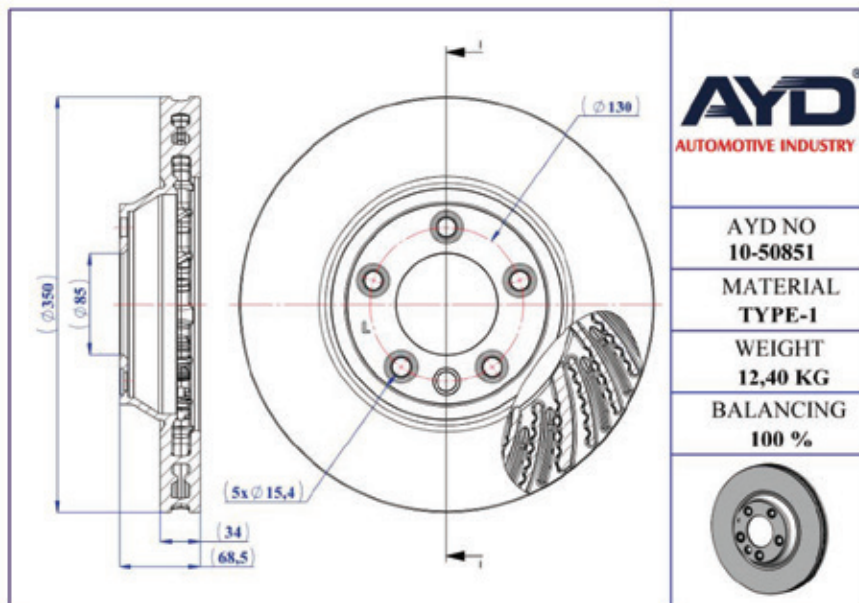


BRAKE DISC

- Front Axle Left
- Vented

- Safety
- Performance
- OEM Standarts
- AYD Quality

OE:
7L8615301
7L6615301K



AYD AUTOMOTIVE INDUSTRY
AYD NO 10-50851
MATERIAL TYPE-1
WEIGHT 12,40 KG
BALANCING 100 %



10-50851

Technical Specifications:

Diameter (mm)	Height (mm)	Brake Disc Thickness (mm)	Min. Thickness (mm)	Centering Diameter (mm)	Bolt Hole Circle (mm)	Num. of Holes
350	68.5	34	32	85	130	5+1

VW

MODEL	START Y.	END Y.
TOUAREG (7LA, 7L6, 7L7)	2002/10	2013/01



BRAKE DISC

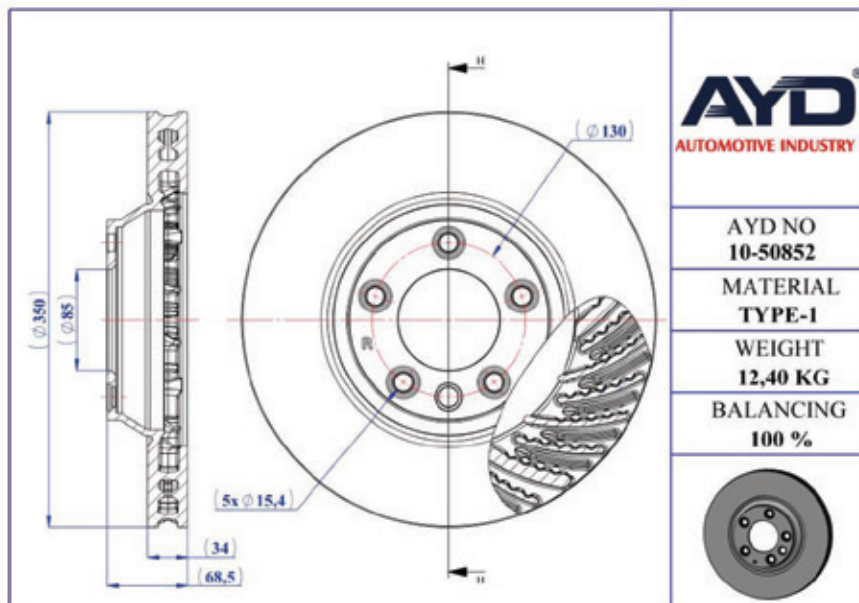
- Front Axle Right
- Vented

- Safety
- Performance
- OEM Standarts
- AYD Quality



OE:
7L8615302
7L6615302K

10-50852



Technical Specifications:

Diameter (mm)	Height (mm)	Brake Disc Thickness (mm)	Min. Thickness (mm)	Centering Diameter (mm)	Bolt Hole Circle (mm)	Num. of Holes
350	68.5	34	32	85	130	5+2

VW

MODEL	START Y.	END Y.
TOUAREG (7LA, 7L6, 7L7)	2002/10	2013/01

