

**new to range**

SPEED TO MARKET SECOND TO NONE

**AYD**<sup>®</sup>  
AUTOMOTIVE INDUSTRY

# BRAKE WITH CONFIDENCE



**SAFETY**

**PERFORMANCE**

**OEM Standards**

**AYD QUALITY**

[www.aydtr.com](http://www.aydtr.com)

**500**  
Top 500 Industrial Enterprises of Turkey

**1000**  
TÜRKİYE'NİN 1000 İHRACATÇI FİRMASI  
TOP 1000 EXPORTERS OF TURKEY

**APRIL 2023**

## INDEX

<b>AUDI</b> .....	<b>3-5</b>
<b>BMW</b> .....	<b>6-7</b>
<b>CHEVROLET</b> .....	<b>8</b>
<b>CHRYSLER</b> .....	<b>9</b>
<b>CITROEN</b> .....	<b>10-11</b>
<b>DODGE</b> .....	<b>12</b>
<b>FIAT</b> .....	<b>13</b>
<b>HONDA</b> .....	<b>14</b>
<b>JEEP</b> .....	<b>15</b>
<b>LANCIA</b> .....	<b>16</b>
<b>MERCEDES BENZ</b> .....	<b>17-20</b>
<b>MINI</b> .....	<b>21-22</b>
<b>MITSUBISHI</b> .....	<b>23-24</b>
<b>OPEL</b> .....	<b>25-26</b>
<b>PEUGEOT</b> .....	<b>27-28</b>
<b>SEAT</b> .....	<b>29-30</b>
<b>SKODA</b> .....	<b>31</b>
<b>SUBARU</b> .....	<b>32</b>
<b>TOYOTA</b> .....	<b>33-35</b>
<b>VAUXHALL</b> .....	<b>36-37</b>
<b>VOLVO</b> .....	<b>38</b>
<b>VOLKSWAGEN</b> .....	<b>39-41</b>

## BRAKE PAD

11-60449



• Rear Axle

OE:  
8K0698451  
8K0698451D

• Safety  
• Performance  
• OEM Standarts  
• AYD Quality

WVA :24606

### Technical Specifications:

Code	Shim	Wear Indicator	Indicator Type	Piston Spring	Compression Spring	Rivet	Clips	Bolt	Plastic Plug	Kit
60449A	4	-	-	-	-	-	-	-	-	-

## AUDI

MODEL	START D.	END Y.
A4 Allroad B8 (8KH)	2009/04	2016/05
A4 B8 (8K2)	2007/08	2016/09
A4 B8 Avant (8K5)	2007/11	2015/12
A5 (8T3)	2007/06	2017/01
A5 Convertible (8F7)	2009/02	2017/01
A5 Sportback (8TA)	2007/07	2017/01
Q5 (8RB)	2008/11	2017/12



## BRAKE PAD

11-60454



• Rear Axle

OE:  
1K0698451L  
JZW698451G



• Safety  
• Performance  
• OEM Standards  
• AYD Quality

WVA :24483

### Technical Specifications:

Code	Shim	Wear Indicator	Indicator Type	Piston Spring	Compression Spring	Rivet	Clips	Bolt	Plastic Plug	Kit
60454A	4	-	-	-	-	-	-	-	-	-

## AUDI

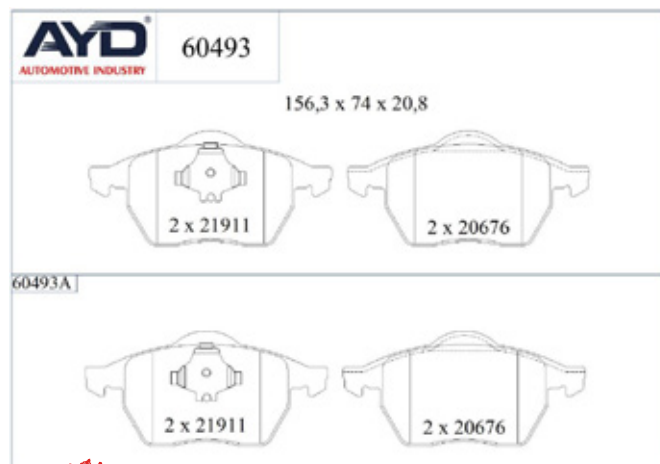
MODEL	START D.	END Y.
Q3 (8UB, 8UG)	2011/06	2020/03





## BRAKE PAD

11-60493



• Front Axle

OE:  
1J0698151M  
8N0698151E

• Safety  
• Performance  
• OEM Standarts  
• AYD Quality

WVA :21911-20676

### Technical Specifications:

Code	Shim	Wear Indicator	Indicator Type	Piston Spring	Compression Spring	Rivet	Clips	Bolt	Plastic Plug	Kit
60493A	4	-	-	2	-	-	-	-	-	-

## AUDI

MODEL	START D.	END Y.
A3 (8L1)	1996/09	2006/09
TT (8N3)	1998/10	2006/12
TT Roadster (8N9)	1999/10	2006/12



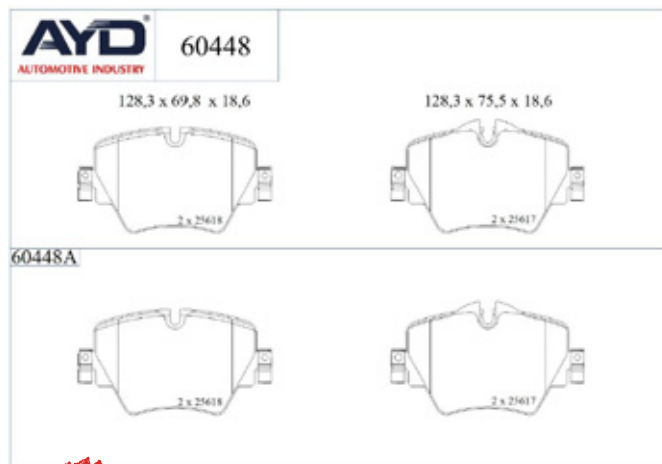
## BRAKE PAD

11-60448



• Front Axle

OE:  
34106860019



• Safety  
• Performance  
• OEM Standarts  
• AYD Quality

WVA :25617-25618

### Technical Specifications:

Code	Shim	Wear Indicator	Indicator Type	Piston Spring	Compression Spring	Rivet	Clips	Bolt	Plastic Plug	Kit
60448A	4	-	-	-	8	-	-	-	-	-

## BMW

MODEL	START D.	END Y.
1 (F40)	2019/07	
2 Active Tourer (F45)	2013/11	
2 Gran Tourer (F46)	2014/07	
5 (G30, F90)	2016/09	
5 Touring (G31)	2017/03	
X1 (F48)	2014/11	
X2 (F39)	2017/11	
X3 (G01, F97)	2017/07	



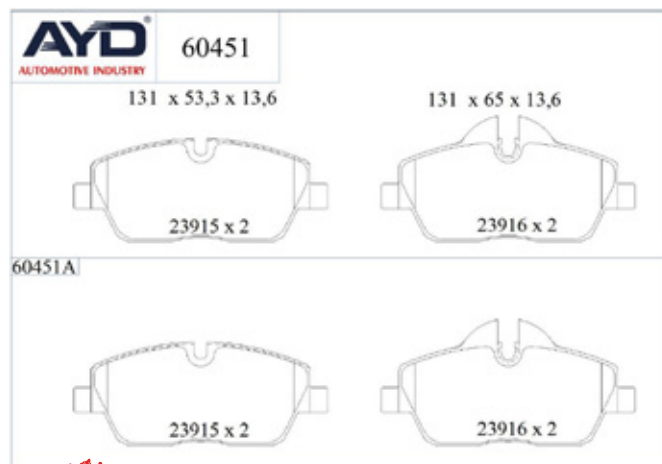
## BRAKE PAD

11-60451



• Front Axle

OE:  
2288855  
34116774050



• Safety  
• Performance  
• OEM Standarts  
• AYD Quality

WVA :23915-23916

### Technical Specifications:

Code	Shim	Wear Indicator	Indicator Type	Piston Spring	Compression Spring	Rivet	Clips	Bolt	Plastic Plug	Kit
60451A	4	-	-	-	-	-	-	-	-	-

## BMW

MODEL	START D.	END Y.
1 (E81)	2006/09	2012/09
1 (E87)	2003/02	2013/01
1 Convertible (E88)	2007/12	2013/12
1 Coupe (E82)	2006/10	2013/10
2 Active Tourer (F45)	2013/11	



## BRAKE PAD

11-60421



• Rear Axle

OE:  
95526568

• Safety  
• Performance  
• OEM Standarts  
• AYD Quality

WVA :22129-22130-22131

### Technical Specifications:

Code	Shim	Wear Indicator	Indicator Type	Piston Spring	Compression Spring	Rivet	Clips	Bolt	Plastic Plug	Kit
60421A	4	2	-	-	-	-	-	-	-	-

## CHEVROLET

MODEL	START D.	END Y.
CRUZE Saloon (J400)	2015/11	





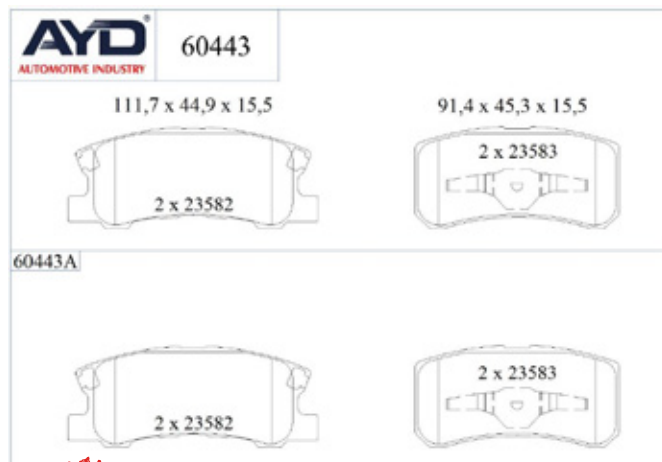
## BRAKE PAD

11-60443



• Rear Axle

OE:  
68020256AA



• Safety  
• Performance  
• OEM Standarts  
• AYD Quality

WVA :23582-23583

### Technical Specifications:

Code	Shim	Wear Indicator	Indicator Type	Piston Spring	Compression Spring	Rivet	Clips	Bolt	Plastic Plug	Kit
60443A	4	-	-	2	-	-	-	-	-	-

## CHRYSLER

MODEL	START D.	END Y.
200 Convertible	2010/01	
200 Saloon	2010/01	
SEBRING (JS)	2006/09	2010/12
SEBRING Convertible (JS)	2007/05	2010/12



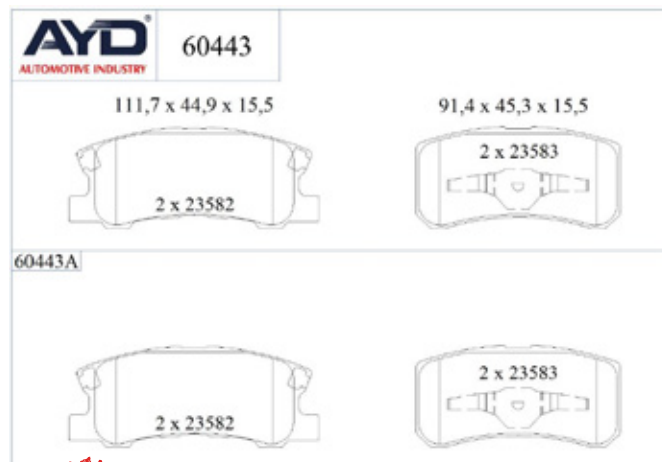
## BRAKE PAD

11-60443



• Rear Axle

OE:  
425390



• Safety  
• Performance  
• OEM Standarts  
• AYD Quality

WVA :23582-23583

### Technical Specifications:

Code	Shim	Wear Indicator	Indicator Type	Piston Spring	Compression Spring	Rivet	Clips	Bolt	Plastic Plug	Kit
60443A	4	-	-	2	-	-	-	-	-	-

## CITROËN

MODEL	START D.	END Y.
C-CROSSER (VU_, VV_)	2007/02	2012/12
C-CROSSER ENTERPRISE (VU_, VV_)	2009/01	
C4 AIRCROSS	2010/08	



## BRAKE PAD

11-60457



• Front Axle

OE:  
425387



· Safety  
· Performance  
· OEM Standarts  
· AYD Quality

WVA :21363-21768-21769

### Technical Specifications:

Code	Shim	Wear Indicator	Indicator Type	Piston Spring	Compression Spring	Rivet	Clips	Bolt	Plastic Plug	Kit
60457A	4	2	-	-	-	-	-	-	-	-

## CITROËN

MODEL	START D.	END Y.
C-CROSSER (VU_, VV_)	2007/02	2012/12
C-CROSSER ENTERPRISE (VU_, VV_)	2009/01	



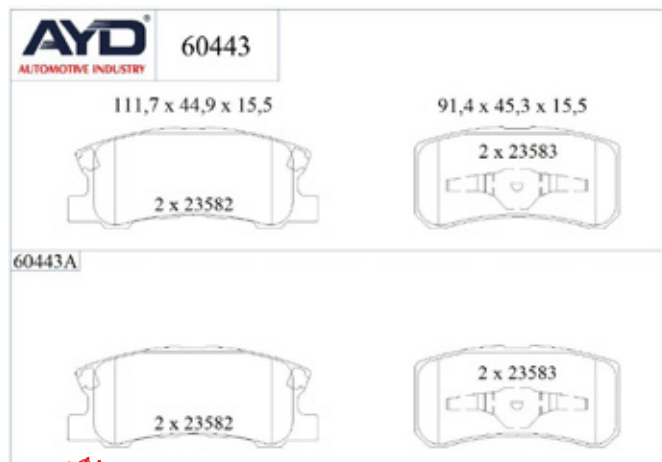
## BRAKE PAD

11-60443



• Rear Axle

OE:  
68028671AA



• Safety  
• Performance  
• OEM Standarts  
• AYD Quality

WVA :23582-23583

### Technical Specifications:

Code	Shim	Wear Indicator	Indicator Type	Piston Spring	Compression Spring	Rivet	Clips	Bolt	Plastic Plug	Kit
60443A	4	-	-	2	-	-	-	-	-	-

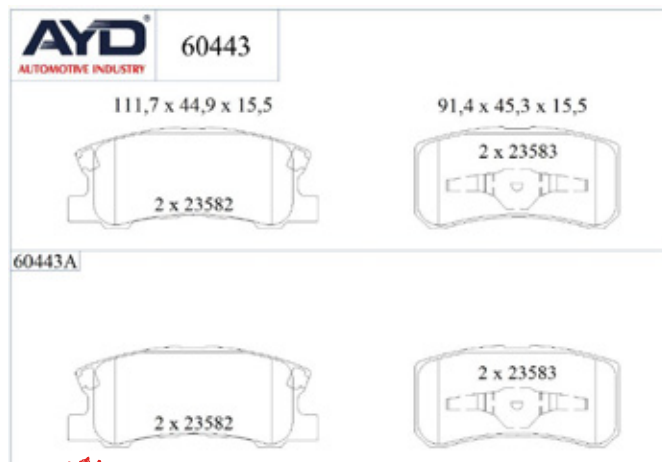
## DODGE

MODEL	START D.	END Y.
AVENGER	2007/06	2014/12
CALIBER	2006/06	



## BRAKE PAD

11-60443



• Rear Axle

OE:  
68020256AA

· Safety  
· Performance  
· OEM Standarts  
· AYD Quality

WVA :23582-23583

### Technical Specifications:

Code	Shim	Wear Indicator	Indicator Type	Piston Spring	Compression Spring	Rivet	Clips	Bolt	Plastic Plug	Kit
60443A	4	-	-	2	-	-	-	-	-	-

## FIAT

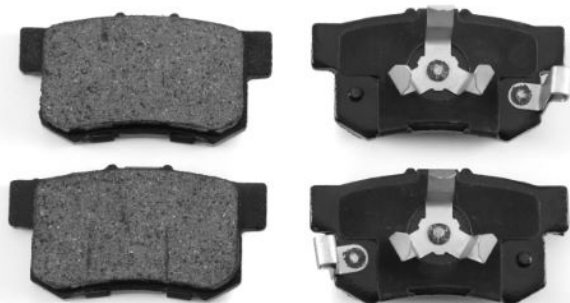
MODEL	START D.	END Y.
DOBLO Bus (263_)	2009/11	





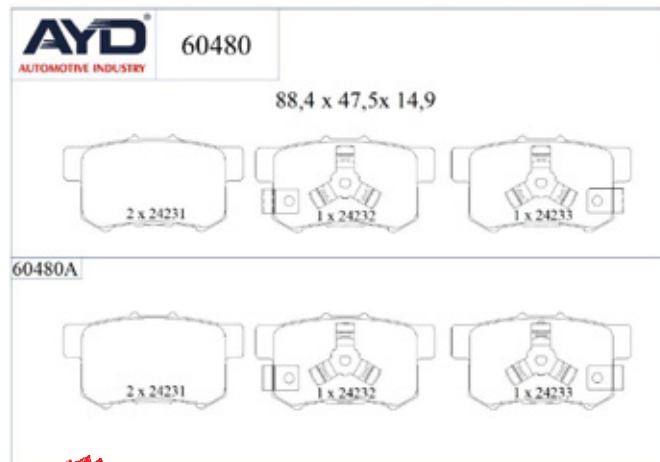
## BRAKE PAD

11-60480



• Rear Axle

OE:  
06430S0NJ00  
43022T0GA01



• Safety  
• Performance  
• OEM Standarts  
• AYD Quality

WVA :24231-24232-24233

### Technical Specifications:

Code	Shim	Wear Indicator	Indicator Type	Piston Spring	Compression Spring	Rivet	Clips	Bolt	Plastic Plug	Kit
60480A	4	2	-	2	-	-	-	-	-	-

## HONDA

MODEL	START D.	END Y.
ACCORD IX Saloon (CR)	2012/09	
ACCORD VII (CL, CN)	2003/01	2012/09
ACCORD VII Tourer (CM, CN)	2003/04	2008/05
ACCORD VIII (CU)	2008/04	
ACCORD VIII Estate (CW)	2008/07	
CR-V II (RD_)	2001/09	2007/07
CR-V III (RE_)	2006/06	
CR-V IV (RM_)	2012/01	



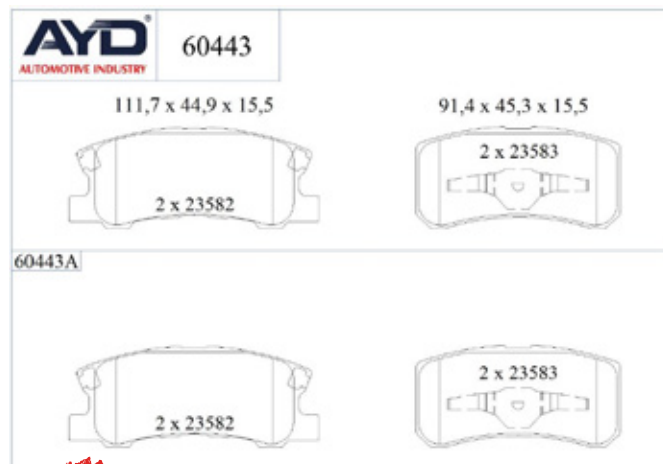
## BRAKE PAD

11-60443



• Rear Axle

OE:  
V2018671AA



• Safety  
• Performance  
• OEM Standarts  
• AYD Quality

WVA :23582-23583

### Technical Specifications:

Code	Shim	Wear Indicator	Indicator Type	Piston Spring	Compression Spring	Rivet	Clips	Bolt	Plastic Plug	Kit
60443A	4	-	-	2	-	-	-	-	-	-

## JEEP

MODEL	START D.	END Y.
COMPASS (MK49)	2006/08	
PATRIOT (MK74)	2007/02	2017/12



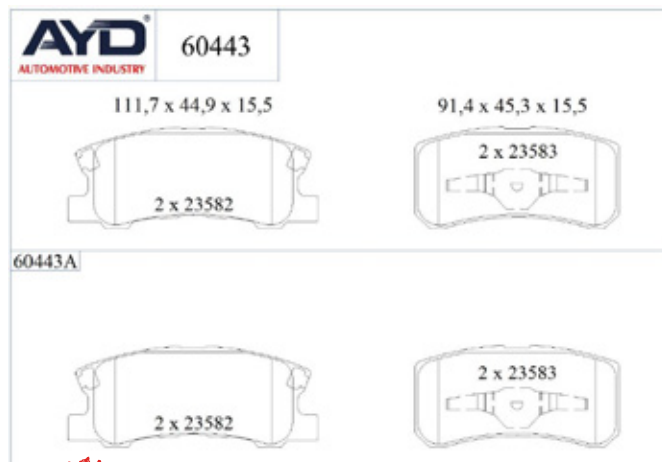
## BRAKE PAD

11-60443



• Rear Axle

OE:  
K68028671AA



• Safety  
• Performance  
• OEM Standarts  
• AYD Quality

WVA :23582-23583

### Technical Specifications:

Code	Shim	Wear Indicator	Indicator Type	Piston Spring	Compression Spring	Rivet	Clips	Bolt	Plastic Plug	Kit
60443A	4	-	-	2	-	-	-	-	-	-

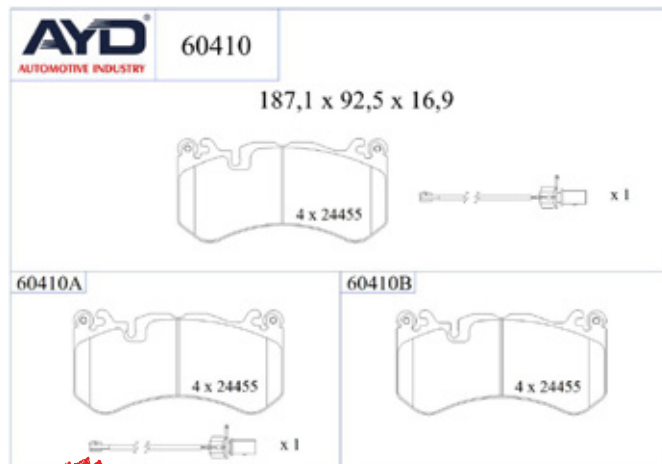
## LANCIA

MODEL	START D.	END Y.
FLAVIA Convertible (JS_)	2012/03	2014/12



## BRAKE PAD

11-60410



• Front Axle

OE:  
A0004205704  
0004206600  
0004203102

Safety  
Performance  
OEM Standarts  
AYD Quality

WVA :24455

### Technical Specifications:

Code	Shim	Wear Indicator	Indicator Type	Piston Spring	Compression Spring	Rivet	Clips	Bolt	Plastic Plug	Kit
60410B	4	-	-	-	-	-	-	-	-	-
60410A	4	1	-	-	-	-	-	-	-	-

## MERCEDES-BENZ

MODEL	START D.	END Y.
AMG GT (C190)	2014/10	
AMG GT (X290)	2018/07	
AMG GT Roadster (R190)	2016/11	
C-CLASS (W205)	2013/07	
C-CLASS Convertible (A205)	2016/06	
C-CLASS Coupe (C205)	2015/10	
C-CLASS T-Model (S205)	2014/09	
CLS (C218)	2011/01	2017/12



## BRAKE PAD

11-60576



• Rear Axle

OE:  
0004230430  
0004320430  
0034206220

Safety  
Performance  
OEM Standards  
AYD Quality

WVA :23478

### Technical Specifications:

Code	Shim	Wear Indicator	Indicator Type	Piston Spring	Compression Spring	Rivet	Clips	Bolt	Plastic Plug	Kit
60576A	4	-	-	-	-	-	-	-	-	-

## MERCEDES-BENZ

MODEL	START D.	END Y.
CLS (C219)	2004/10	2011/02
E-CLASS (W211)	2002/03	2009/03
E-CLASS T-Model (S211)	2003/02	2009/07
S-CLASS (W220)	1998/09	2005/08
S-CLASS (W221)	2005/09	2013/12
S-CLASS Coupe (C216)	2006/05	2013/12
SL (R230)	2001/10	2012/01
SLR (R199)	2004/04	





## BRAKE PAD

11-60578



• Rear Axle

OE:  
0024205120  
002420512037  
0054201820

• Safety  
• Performance  
• OEM Standards  
• AYD Quality

WVA :21900

### Technical Specifications:

Code	Shim	Wear Indicator	Indicator Type	Piston Spring	Compression Spring	Rivet	Clips	Bolt	Plastic Plug	Kit
60578A	4	-	-	-	-	-	-	-	-	-

## MERCEDES-BENZ

MODEL	START D.	END Y.
C-CLASS (W202)	1993/03	2000/05



## BRAKE PAD

11-60580



• Rear Axle

OE:  
A0004214210  
0034200220  
0004214210

• Safety  
• Performance  
• OEM Standards  
• AYD Quality

WVA :23020

### Technical Specifications:

Code	Shim	Wear Indicator	Indicator Type	Piston Spring	Compression Spring	Rivet	Clips	Bolt	Plastic Plug	Kit
60580A	4	-	-	-	-	-	-	-	-	-

## MERCEDES-BENZ

MODEL	START D.	END Y.
V-CLASS (638/2)	1996/02	2003/07
VITO Bus (W638)	1996/02	2003/07
VITO Van (W638)	1997/03	2003/07



## BRAKE PAD

11-60448



• Front Axle

OE:  
34106860019



• Safety  
• Performance  
• OEM Standards  
• AYD Quality

WVA :25617-25618

### Technical Specifications:

Code	Shim	Wear Indicator	Indicator Type	Piston Spring	Compression Spring	Rivet	Clips	Bolt	Plastic Plug	Kit
60448A	4	-	-	-	8	-	-	-	-	-

## MINI

MODEL	START D.	END Y.
MINI CLUBMAN (F54)	2014/11	
MINI COUNTRYMAN (F60)	2016/10	



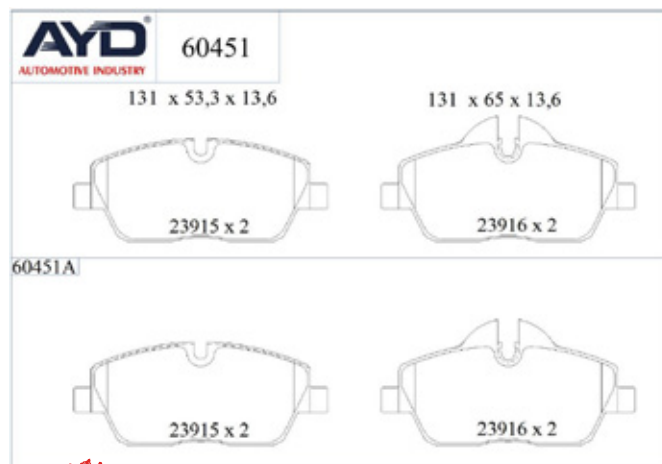
## BRAKE PAD

11-60451



• Front Axle

OE:  
34112289145



• Safety  
• Performance  
• OEM Standarts  
• AYD Quality

WVA :23915-23916

### Technical Specifications:

Code	Shim	Wear Indicator	Indicator Type	Piston Spring	Compression Spring	Rivet	Clips	Bolt	Plastic Plug	Kit
60451A	4	-	-	-	-	-	-	-	-	-

## MINI

MODEL	START D.	END Y.
MINI (F55)	2013/09	
MINI (F56)	2013/12	
MINI (R56)	2005/11	2014/01
MINI CLUBMAN (F54)	2014/11	
MINI CLUBMAN (R55)	2006/10	2015/12
MINI CLUBVAN (R55)	2012/12	2014/06
MINI Convertible (F57)	2014/11	
MINI Convertible (R57)	2007/10	2015/06



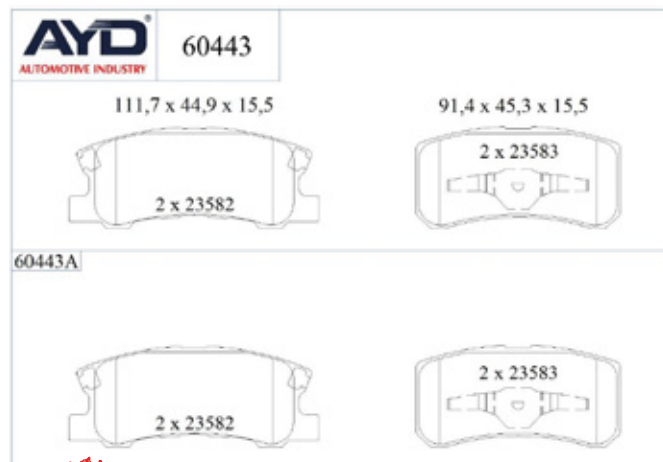
## BRAKE PAD

11-60443



• Rear Axle

OE:  
4605A265



• Safety  
• Performance  
• OEM Standarts  
• AYD Quality

WVA :23582-23583

### Technical Specifications:

Code	Shim	Wear Indicator	Indicator Type	Piston Spring	Compression Spring	Rivet	Clips	Bolt	Plastic Plug	Kit
60443A	4	-	-	2	-	-	-	-	-	-

## MITSUBISHI

MODEL	START D.	END Y.
ASX (GA_W_)	2009/11	
ASX Van (GA_W_)	2010/06	
DELICA D5 (CV_W)	2007/06	
GALANT IX Saloon (DJ_, ED_, EF_)	2003/10	
GRANDIS (NA_W)	2003/03	2011/12
LANCER VIII (CY_A, CZ_A)	2007/03	
LANCER VIII Sportback (CX_A)	2007/10	
OUTLANDER II (CW_W)	2006/11	2012/12





## BRAKE PAD

11-60457



• Front Axle

OE:  
4605A492  
4605A717



• Safety  
• Performance  
• OEM Standarts  
• AYD Quality

WVA :21363-21768-21769

### Technical Specifications:

Code	Shim	Wear Indicator	Indicator Type	Piston Spring	Compression Spring	Rivet	Clips	Bolt	Plastic Plug	Kit
60457A	4	2	-	-	-	-	-	-	-	-

## MITSUBISHI

MODEL	START D.	END Y.
DELICA / SPACE GEAR	1994/01	2007/01
DIAMANTE II Saloon (F4_A, F3_A)	1994/11	2005/11
ECLIPSE I (D2_A)	1989/12	1995/12
FTO Coupe (DE_A)	1994/09	2001/07
GALANT VII (E5_A, E7_A, E8_A)	1992/11	1996/10
GALANT VII Saloon (E5_A, E7_A, E8_A)	1992/06	1998/12
GALANT VIII (EA_)	1996/09	2004/10
GALANT VIII Estate (EA_)	1996/09	2003/10



## BRAKE PAD

11-60421



• Rear Axle

OE:  
95526568  
39037199

• Safety  
• Performance  
• OEM Standarts  
• AYD Quality

WVA :22129-22130-22131

### Technical Specifications:

Code	Shim	Wear Indicator	Indicator Type	Piston Spring	Compression Spring	Rivet	Clips	Bolt	Plastic Plug	Kit
60421A	4	2	-	-	-	-	-	-	-	-

## OPEL

MODEL	START D.	END Y.
AMPERA-E (F17)	2017/05	2019/03
ASTRA K (B16)	2015/06	
ASTRA K Sports Tourer (B16)	2015/11	



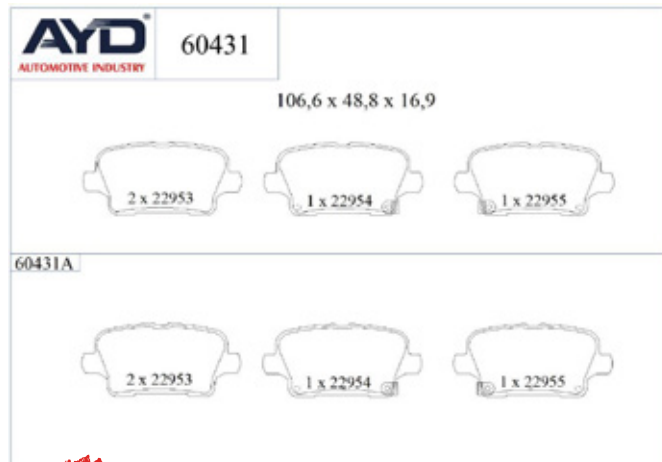
## BRAKE PAD

11-60431



• Rear Axle

OE:  
13517694-M1



• Safety  
• Performance  
• OEM Standarts  
• AYD Quality

WVA :22953-22954-22955

### Technical Specifications:

Code	Shim	Wear Indicator	Indicator Type	Piston Spring	Compression Spring	Rivet	Clips	Bolt	Plastic Plug	Kit
60431A	4	2	-	-	-	-	-	-	-	-

## OPEL

MODEL	START D.	END Y.
INSIGNIA B Country Tourer (Z18)	2017/06	
INSIGNIA B Grand Sport (Z18)	2017/03	
INSIGNIA B Sports Tourer (Z18)	2017/03	
INSIGNIA B Sports Tourer Combi Van (Z18)	2017/03	



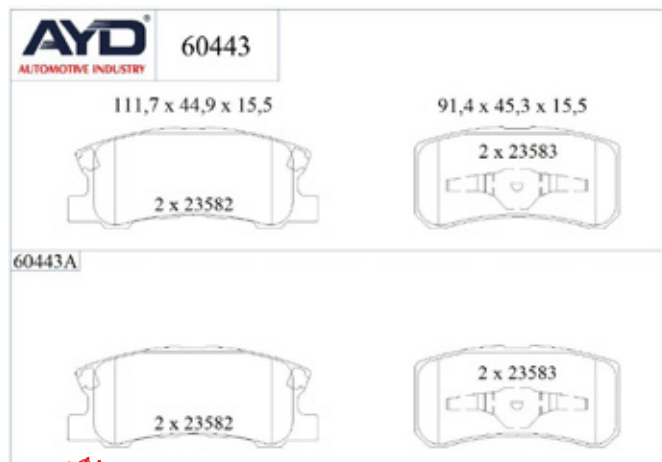
## BRAKE PAD

11-60443



• Rear Axle

OE:  
1611838980



• Safety  
• Performance  
• OEM Standarts  
• AYD Quality

WVA :23582-23583

### Technical Specifications:

Code	Shim	Wear Indicator	Indicator Type	Piston Spring	Compression Spring	Rivet	Clips	Bolt	Plastic Plug	Kit
60443A	4	-	-	2	-	-	-	-	-	-

## PEUGEOT

MODEL	START D.	END Y.
4007 (VU_, VV_)	2007/02	2013/03
4008	2012/05	



## BRAKE PAD

11-60457



• Front Axle

OE:  
425388

• Safety  
• Performance  
• OEM Standarts  
• AYD Quality

WVA :21363-21768-21769

### Technical Specifications:

Code	Shim	Wear Indicator	Indicator Type	Piston Spring	Compression Spring	Rivet	Clips	Bolt	Plastic Plug	Kit
60457A	4	2	-	-	-	-	-	-	-	-

## PEUGEOT

MODEL	START D.	END Y.
4007 (VU_, VV_)	2007/02	2013/03





## BRAKE PAD

11-60454



• Rear Axle

OE:  
5N0698451



• Safety  
• Performance  
• OEM Standards  
• AYD Quality

WVA :24483

### Technical Specifications:

Code	Shim	Wear Indicator	Indicator Type	Piston Spring	Compression Spring	Rivet	Clips	Bolt	Plastic Plug	Kit
60454A	4	-	-	-	-	-	-	-	-	-

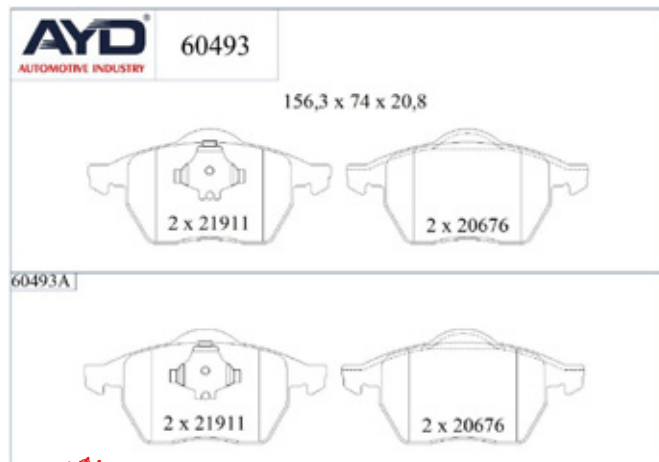
## SEAT

MODEL	START D.	END Y.
ALHAMBRA (710, 711)	2010/06	



## BRAKE PAD

11-60493



• Front Axle

OE:  
8N0698151

• Safety  
• Performance  
• OEM Standarts  
• AYD Quality

WVA :21911-20676

### Technical Specifications:

Code	Shim	Wear Indicator	Indicator Type	Piston Spring	Compression Spring	Rivet	Clips	Bolt	Plastic Plug	Kit
60493A	4	-	-	2	-	-	-	-	-	-

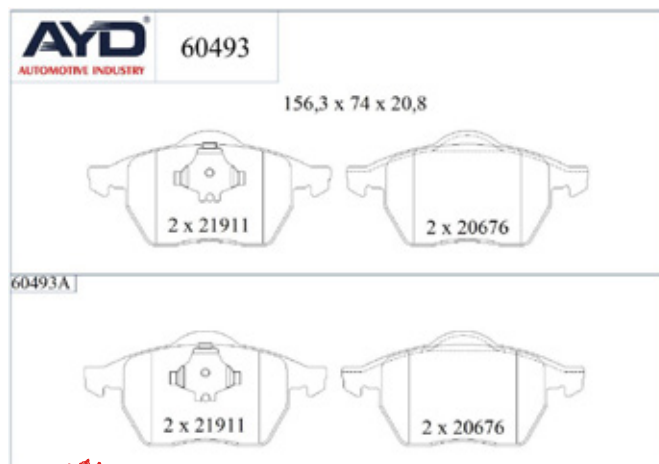
## SEAT

MODEL	START D.	END Y.
IBIZA III (6L1)	2002/02	2009/11
LEON (1M1)	1999/11	2006/06
TOLEDO II (1M2)	1998/10	2006/05



## BRAKE PAD

11-60493



• Front Axle

OE:  
1J0698151K

· Safety  
· Performance  
· OEM Standarts  
· AYD Quality

WVA :21911-20676

### Technical Specifications:

Code	Shim	Wear Indicator	Indicator Type	Piston Spring	Compression Spring	Rivet	Clips	Bolt	Plastic Plug	Kit
60493A	4	-	-	2	-	-	-	-	-	-

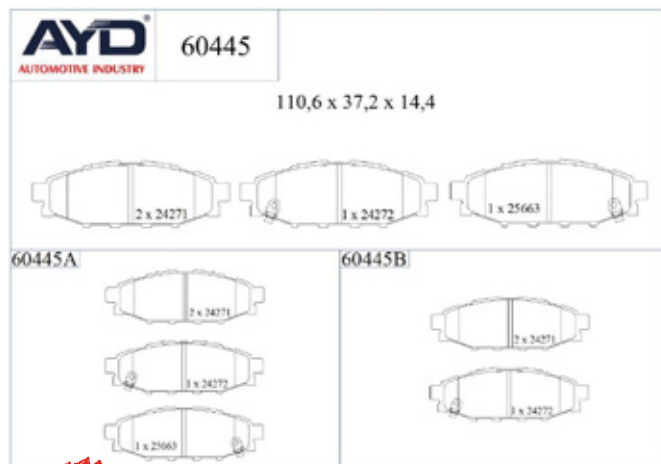
## SKODA

MODEL	START D.	END Y.
OCTAVIA I (1U2)	1996/09	2010/12
OCTAVIA I Combi (1U5)	1998/07	2010/12



## BRAKE PAD

11-60445



• Rear Axle

OE:  
26696AG000-M1  
26296AG010  
26296AG030

• Safety  
• Performance  
• OEM Standarts  
• AYD Quality

WVA :24271-24272-25663

### Technical Specifications:

Code	Shim	Wear Indicator	Indicator Type	Piston Spring	Compression Spring	Rivet	Clips	Bolt	Plastic Plug	Kit
60445A	4	2	-	-	-	-	-	-	-	-
60445B	4	1	-	-	-	-	-	-	-	-

## SUBARU

MODEL	START D.	END Y.
FORESTER (SG_)	2002/02	2012/12
FORESTER (SJ_)	2012/11	
FORESTER (SK_)	2018/04	
IMPREZA Hatchback (GR, GH, G3)	2007/03	2014/05
IMPREZA Saloon (GE, GV)	2007/01	
LEGACY IV (BL)	2003/09	2015/12
LEGACY IV Estate (BP)	2003/09	2009/12
LEGACY V (BM)	2009/05	



## BRAKE PAD

11-60448



• Front Axle

OE:  
04465WAA02

• Safety  
• Performance  
• OEM Standards  
• AYD Quality

WVA :25617-25618

### Technical Specifications:

Code	Shim	Wear Indicator	Indicator Type	Piston Spring	Compression Spring	Rivet	Clips	Bolt	Plastic Plug	Kit
60448A	4	-	-	-	8	-	-	-	-	-

## TOYOTA

MODEL	START D.	END Y.
SUPRA (DB_)	2019/03	



## BRAKE PAD

11-60473



• Front Axle

OE:  
044650K290

· Safety  
· Performance  
· OEM Standarts  
· AYD Quality

WVA :25246

### Technical Specifications:

Code	Shim	Wear Indicator	Indicator Type	Piston Spring	Compression Spring	Rivet	Clips	Bolt	Plastic Plug	Kit
60473A	4	-	-	-	-	-	-	-	-	-

## TOYOTA

MODEL	START D.	END Y.
HILUX Platform/Chassis (_N1_, _N2_)	2005/02	
HILUX VII Pickup (_N1_, _N2_, _N3_)	2004/08	





## BRAKE PAD

11-60571



• Front Axle

OE:  
0446526421  
0446526420

• Safety  
• Performance  
• OEM Standards  
• AYD Quality

WVA :24680

### Technical Specifications:

Code	Shim	Wear Indicator	Indicator Type	Piston Spring	Compression Spring	Rivet	Clips	Bolt	Plastic Plug	Kit
60571A	-	-	-	-	-	-	-	-	-	-

## TOYOTA

MODEL	START D.	END Y.
HIACE / COMMUTER V Bus (TRH2_, KDH2_ LH2_, GDH2_)	2004/08	
HIACE IV Bus (__H1_, __H2_)	1995/08	2012/12
HIACE IV Van (__H1_, __H2_)	1995/08	2012/12
HIACE V Van (TRH2_, KDH2_, LH2_, GDH2_)	2004/06	
REGIUS ACE Bus (TRH2_, KDH2_)	2004/08	
REGIUS ACE Van (TRH2_, KDH2_)	2004/08	
TOYOACE Platform/Chassis (_Y2_)	2003/08	



## BRAKE PAD

11-60421



• Rear Axle

OE:  
39021615

• Safety  
• Performance  
• OEM Standards  
• AYD Quality

WVA :22129-22130-22131

### Technical Specifications:

Code	Shim	Wear Indicator	Indicator Type	Piston Spring	Compression Spring	Rivet	Clips	Bolt	Plastic Plug	Kit
60421A	4	2	-	-	-	-	-	-	-	-

## VAUXHALL

MODEL	START D.	END Y.
ASTRA Mk VII (K) (B16)	2015/07	
ASTRA Mk VII (K) Estate (B16)	2015/07	



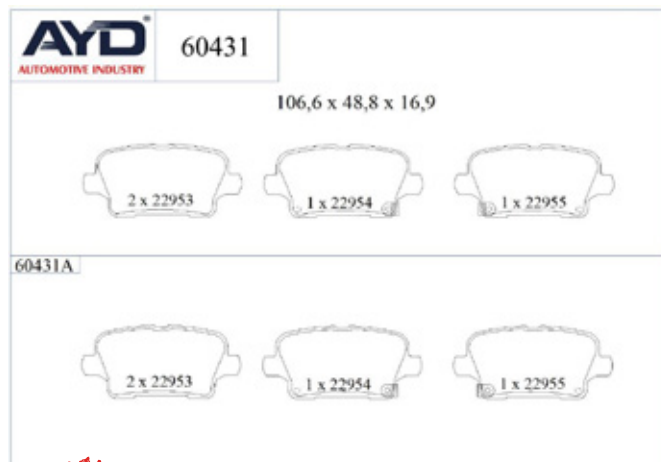
## BRAKE PAD

11-60431



• Rear Axle

OE:  
13517694



• Safety  
• Performance  
• OEM Standarts  
• AYD Quality

WVA :22953-22954-22955

### Technical Specifications:

Code	Shim	Wear Indicator	Indicator Type	Piston Spring	Compression Spring	Rivet	Clips	Bolt	Plastic Plug	Kit
60431A	4	2	-	-	-	-	-	-	-	-

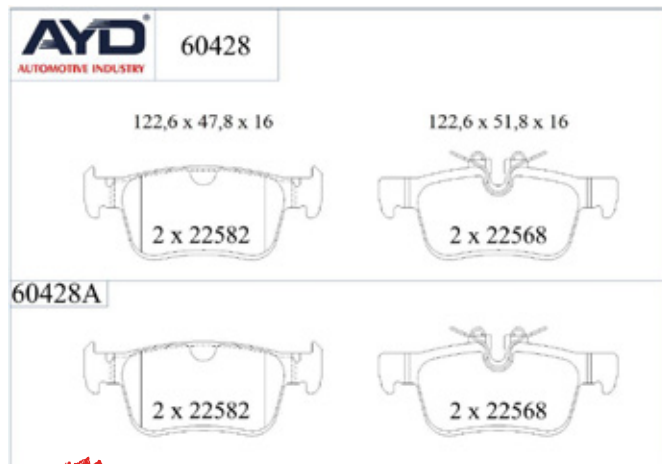
## VAUXHALL

MODEL	START D.	END Y.
INSIGNIA Mk II (B) Country Tourer (Z18)	2017/03	
INSIGNIA Mk II (B) Hatchback (Z18)	2017/03	
INSIGNIA Mk II (B) Sports Tourer (Z18)	2017/03	



## BRAKE PAD

11-60428



• Rear Axle

OE:  
31687502  
31665837

• Safety  
• Performance  
• OEM Standarts  
• AYD Quality

WVA :22582-22568

### Technical Specifications:

Code	Shim	Wear Indicator	Indicator Type	Piston Spring	Compression Spring	Rivet	Clips	Bolt	Plastic Plug	Kit
60428A	4	-	-	-	2	-	-	-	-	-

## VOLVO

MODEL	START D.	END Y.
S90 II (234)	2016/01	
V60 II (225)	2018/02	
V90 II Estate (235)	2016/03	
XC60 II (246)	2017/03	



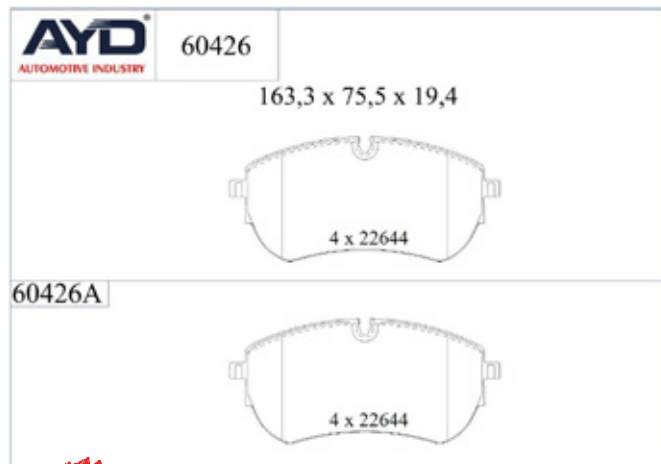
## BRAKE PAD

11-60426



• Front Axle

OE:  
2H6698151  
2H6698151A



• Safety  
• Performance  
• OEM Standards  
• AYD Quality

WVA :22644

### Technical Specifications:

Code	Shim	Wear Indicator	Indicator Type	Piston Spring	Compression Spring	Rivet	Clips	Bolt	Plastic Plug	Kit
60426A	4	-	-	-	-	-	-	-	-	-

## VW

MODEL	START D.	END Y.
AMAROK (2HA, 2HB, S1B, S6B, S7A, S7B)	2010/09	
AMAROK Platform/Chassis (S1B, S6B, S7B)	2011/09	



## BRAKE PAD

11-60454



• Rear Axle

OE:  
3C0698451F



• Safety  
• Performance  
• OEM Standarts  
• AYD Quality

WVA :24483

### Technical Specifications:

Code	Shim	Wear Indicator	Indicator Type	Piston Spring	Compression Spring	Rivet	Clips	Bolt	Plastic Plug	Kit
60454A	4	-	-	-	-	-	-	-	-	-

## VW

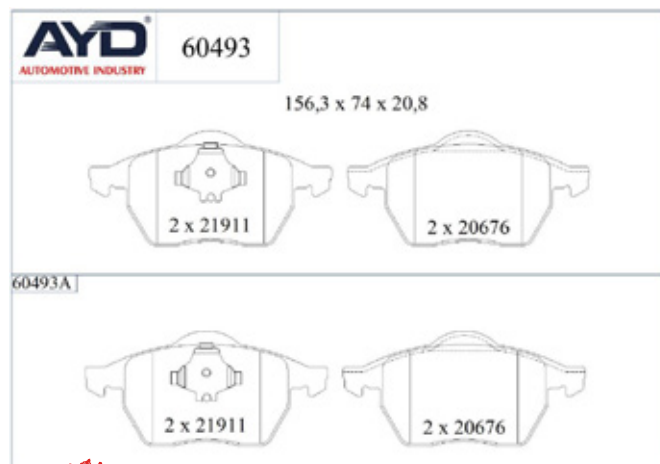
MODEL	START D.	END Y.
CC B7 (358)	2011/11	2016/12
GOLF V (1K1)	2003/10	2010/07
PASSAT ALLTRACK B7 (365)	2012/01	2014/12
PASSAT B6 (3C2)	2005/03	2010/12
PASSAT B6 Variant (3C5)	2005/08	2011/11
PASSAT B7 (362)	2010/08	2015/12
PASSAT B7 (A32, A33)	2011/01	
PASSAT B7 Estate Van (365)	2010/08	2014/12





## BRAKE PAD

11-60493



• Front Axle

OE:  
3A0615116B

• Safety  
• Performance  
• OEM Standarts  
• AYD Quality

WVA :21911-20676

### Technical Specifications:

Code	Shim	Wear Indicator	Indicator Type	Piston Spring	Compression Spring	Rivet	Clips	Bolt	Plastic Plug	Kit
60493A	4	-	-	2	-	-	-	-	-	-

## VW

MODEL	START D.	END Y.
BORA I (1J2)	1998/10	2013/12
BORA Variant (1J6)	1999/05	2005/05
GOLF III (1H1)	1989/10	1998/07
GOLF IV (1J1)	1997/08	2008/04
GOLF IV (9B3)	2006/03	
GOLF IV Van (1J1)	1997/10	2004/05
GOLF IV Variant (1J5)	1999/05	2006/06
GOLF VAN IV Variant (1J5)	1999/05	2006/06

