

**new to range**

SPEED TO MARKET SECOND TO NONE

**AYD**<sup>®</sup>  
AUTOMOTIVE INDUSTRY



# BRAKING THE DIFFERENCE

SAFETY

PERFORMANCE

OEM Standards

AYD QUALITY

[www.aydtr.com](http://www.aydtr.com)



**MARCH 2023**

## INDEX

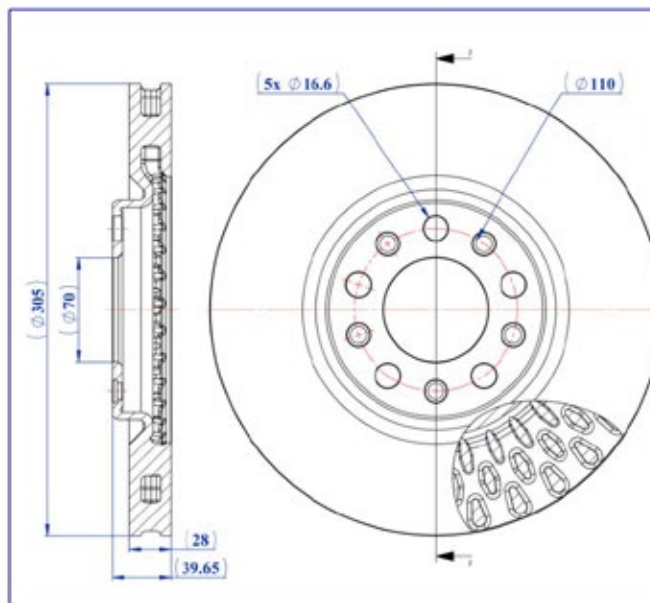
<b>ALFA ROMEO</b> .....	<b>3</b>
<b>AUDI</b> .....	<b>4-8</b>
<b>BMW</b> .....	<b>9</b>
<b>CHRYSLER</b> .....	<b>10</b>
<b>CITROEN</b> .....	<b>11-13</b>
<b>DODGE</b> .....	<b>14</b>
<b>FIAT</b> .....	<b>15-17</b>
<b>HONDA</b> .....	<b>18</b>
<b>IVECO</b> .....	<b>19-20</b>
<b>LANCIA</b> .....	<b>21</b>
<b>LEXUS</b> .....	<b>22</b>
<b>MERCEDES-BENZ</b> .....	<b>23-27</b>
<b>MITSUBISHI</b> .....	<b>28</b>
<b>NISSAN</b> .....	<b>29</b>
<b>PEUGEOT</b> .....	<b>30-32</b>
<b>PORSCHE</b> .....	<b>33</b>
<b>RENAULT</b> .....	<b>34-36</b>
<b>SEAT</b> .....	<b>37-39</b>
<b>SKODA</b> .....	<b>40-42</b>
<b>SUZUKI</b> .....	<b>43</b>
<b>TOYOTA</b> .....	<b>44-48</b>
<b>VOLVO</b> .....	<b>49</b>
<b>VOLKSWAGEN</b> .....	<b>50-53</b>

## BRAKE DISC

- Front Axle
- Vented

- Safety
- Performance
- OEM Standards
- AYD Quality

OE:  
46843608  
51767382  
51767381



**AYD**  
AUTOMOTIVE INDUSTRY

AYD NO  
**10-50833**

MATERIAL  
**TYPE-1**

WEIGHT  
**7,60 KG**

BALANCING  
**100 %**



**10-50833**

### Technical Specifications:

Diameter (mm)	Height (mm)	Brake Disc Thickness (mm)	Min. Thickness (mm)	Centering Diameter (mm)	Bolt Hole Circle (mm)	Num. of Holes
305	39.65	28	26	70	110	5+5

## ALFA ROMEO

MODEL	START Y.	END Y.
159 (939_)	2005/06	2012/12
159 Sportwagon (939_)	2005/06	2012/12
BRERA (939_)	2006/01	2011/05
GIULIETTA (940_)	2010/04	2020/12
SPIDER (939_)	2006/03	2011/03



## BRAKE DISC

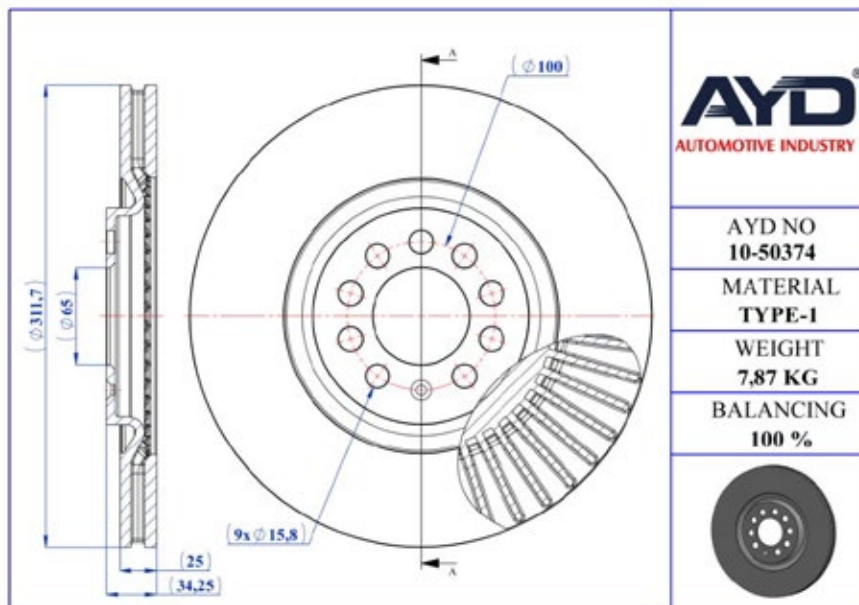
- Front Axle
- Vented

- Safety
- Performance
- OEM Standards
- AYD Quality



OE:  
JZW615301G

**10-50374**



**AYD**  
AUTOMOTIVE INDUSTRY

AYD NO  
**10-50374**

MATERIAL  
**TYPE-1**

WEIGHT  
**7.87 KG**

BALANCING  
**100 %**



### Technical Specifications:

Diameter (mm)	Height (mm)	Brake Disc Thickness (mm)	Min. Thickness (mm)	Centering Diameter (mm)	Bolt Hole Circle (mm)	Num. of Holes
311.7	34.25	25	23	65	100	9+1

## AUDI

MODEL	START Y.	END Y.
A3 (8L1)	1996/09	2006/09
TT (8N3)	1998/10	2006/12
TT Roadster (8N9)	1999/10	2006/12

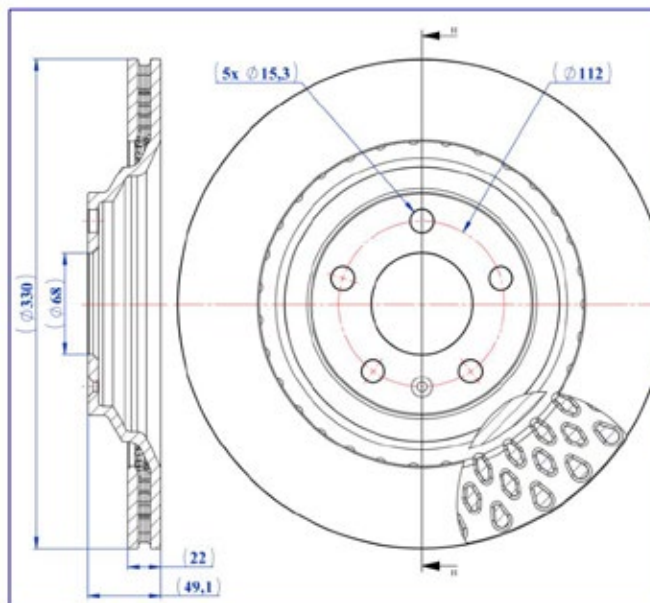
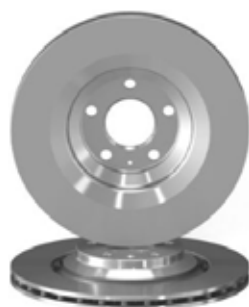


## BRAKE DISC

- Rear Axle
- Vented

- Safety
- Performance
- OEM Standarts
- AYD Quality

OE:  
4F0615601F  
4F0615601D



**AYD**  
AUTOMOTIVE INDUSTRY

AYD NO  
**10-50815**

MATERIAL  
**TYPE-1**

WEIGHT  
**7,71 KG**

BALANCING  
**100 %**



**10-50815**

### Technical Specifications:

Diameter (mm)	Height (mm)	Brake Disc Thickness (mm)	Min. Thickness (mm)	Centering Diameter (mm)	Bolt Hole Circle (mm)	Num. of Holes
330	49.1	22	20	68	112	5+1

## AUDI

MODEL	START Y.	END Y.
A6 C6 (4F2)	2004/04	2011/08
A6 C6 Avant (4F5)	2004/11	2011/08

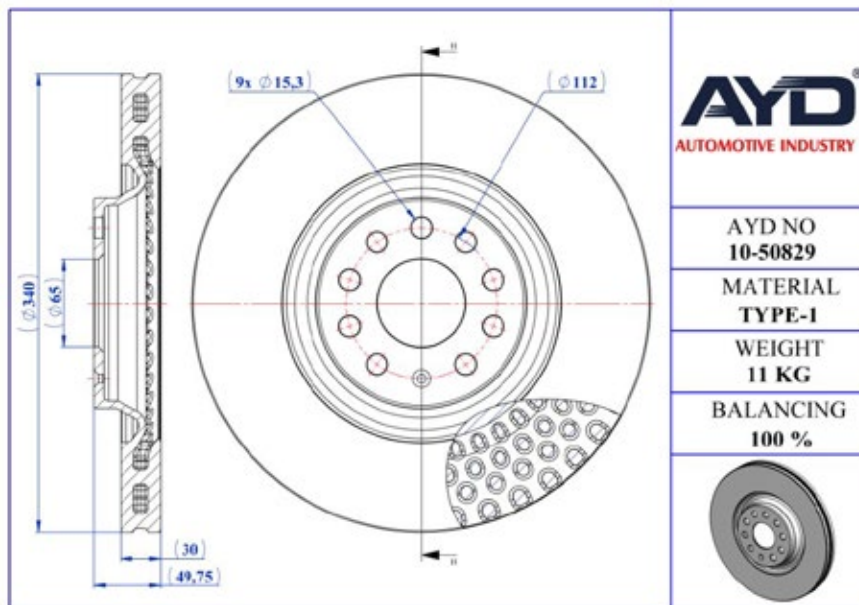


## BRAKE DISC

- Front Axle
- Vented

- Safety
- Performance
- OEM Standarts
- AYD Quality

OE:  
3C0615301C  
5Q0615301G



**AYD**  
AUTOMOTIVE INDUSTRY

AYD NO  
**10-50829**

MATERIAL  
**TYPE-1**

WEIGHT  
**11 KG**

BALANCING  
**100 %**



**10-50829**

### Technical Specifications:

Diameter (mm)	Height (mm)	Brake Disc Thickness (mm)	Min. Thickness (mm)	Centering Diameter (mm)	Bolt Hole Circle (mm)	Num. of Holes
340	49.75	30	27	65	112	9+1

## AUDI

MODEL	START Y.	END Y.
A3 (8V1, 8VK)	2012/04	2020/10
A3 Cabrio (8V7, 8VE)	2013/10	
A3 Limousine (8VS, 8VM)	2013/05	
A3 Sportback (8VA, 8VF)	2012/09	
Q2 (GAB, GAG)	2016/06	
Q3 (F3B)	2018/07	
TT (FV3, FVP)	2014/07	
TT Roadster (FV9, FVR)	2014/11	

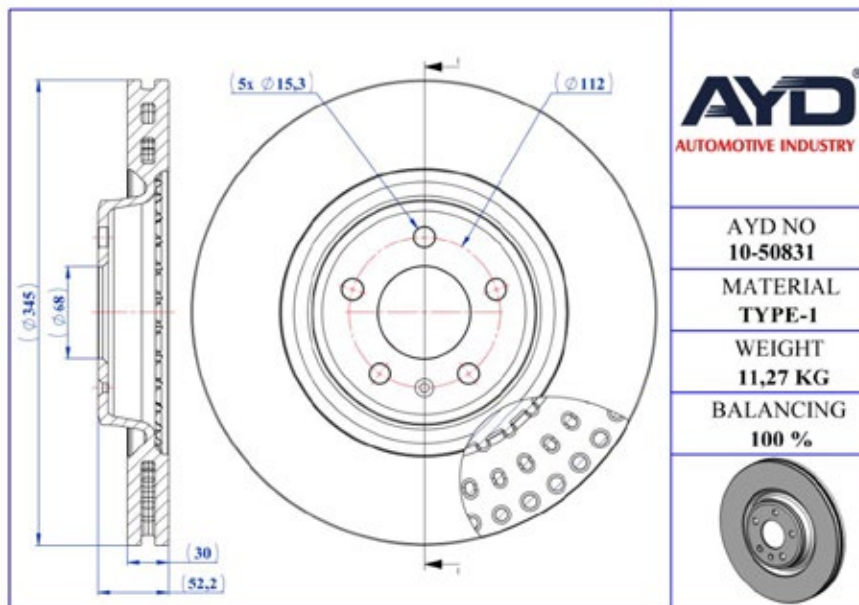


## BRAKE DISC

- Front Axle
- Vented

- Safety
- Performance
- OEM Standarts
- AYD Quality

OE:  
4G0615301AE  
4G0615301AF  
4G0615301G



**AYD**  
AUTOMOTIVE INDUSTRY

AYD NO  
**10-50831**

MATERIAL  
**TYPE-1**

WEIGHT  
**11,27 KG**

BALANCING  
**100 %**



**10-50831**

### Technical Specifications:

Diameter (mm)	Height (mm)	Brake Disc Thickness (mm)	Min. Thickness (mm)	Centering Diameter (mm)	Bolt Hole Circle (mm)	Num. of Holes
345	52.2	30	28	68	112	5+1

## AUDI

MODEL	START Y.	END Y.
A4 B8 (8K2)	2007/08	2016/09
A4 B8 Avant (8K5)	2007/11	2015/12
A5 (8T3)	2007/06	2017/01
A5 Cabrio (8F7)	2009/02	2017/01
A5 Sportback (8TA)	2007/07	2017/01
A6 C7 (4G2, 4GC)	2010/11	2018/09
A6 C7 Avant (4G5, 4GD)	2011/05	2018/09
A7 Sportback (4GA, 4GF)	2010/07	2018/05
Q5 (8RB)	2008/11	2017/12

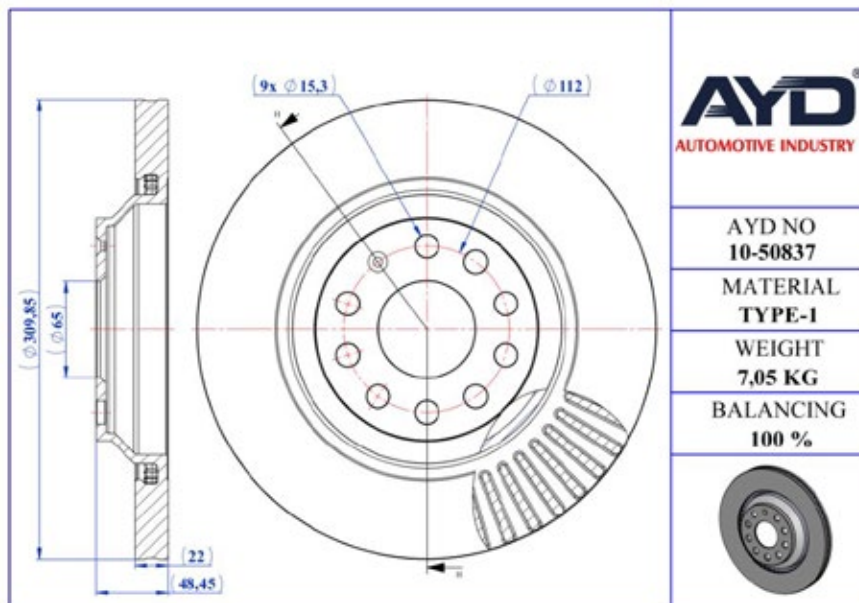
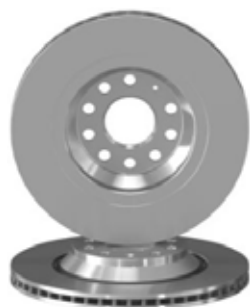


## BRAKE DISC

- Rear Axle
- Vented

- Safety
- Performance
- OEM Standarts
- AYD Quality

OE:  
1K0615601N  
5Q0615601E



**AYD**  
AUTOMOTIVE INDUSTRY

AYD NO  
**10-50837**

MATERIAL  
**TYPE-1**

WEIGHT  
**7,05 KG**

BALANCING  
**100 %**



**10-50837**

### Technical Specifications:

Diameter (mm)	Height (mm)	Brake Disc Thickness (mm)	Min. Thickness (mm)	Centering Diameter (mm)	Bolt Hole Circle (mm)	Num. of Holes
309.85	48.45	22	20	65	112	9+1

## AUDI

MODEL	START Y.	END Y.
A3 (8P1)	2003/05	2013/12
A3 (8V1, 8VK)	2012/04	2020/10
A3 Cabrio (8V7, 8VE)	2013/10	
A3 Limousine (8VS, 8VM)	2013/05	
A3 Sportback (8PA)	2004/09	2015/12
A3 Sportback (8VA, 8VF)	2012/09	
Q2 (GAB, GAG)	2016/06	
Q3 (8UB, 8UG)	2011/06	2020/03
Q3 (F3B)	2018/07	
TT (FV3, FVP)	2014/07	
TT Roadster (FV9, FVR)	2014/11	



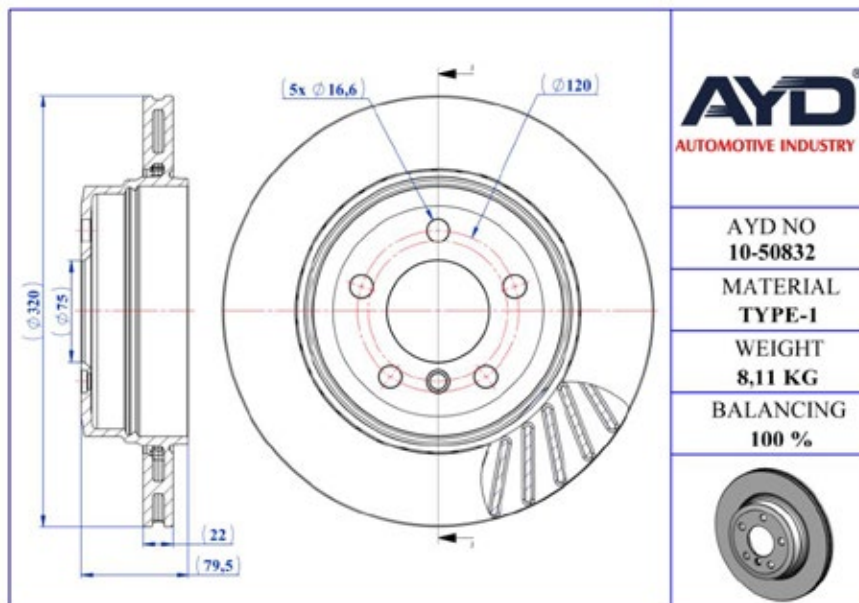


## BRAKE DISC

- Rear Axle
- Vented

- Safety
- Performance
- OEM Standarts
- AYD Quality

OE:  
34213332217  
3332217



**AYD**  
AUTOMOTIVE INDUSTRY

AYD NO  
**10-50832**

MATERIAL  
**TYPE-1**

WEIGHT  
**8,11 KG**

BALANCING  
**100 %**



**10-50832**

### Technical Specifications:

Diameter (mm)	Height (mm)	Brake Disc Thickness (mm)	Min. Thickness (mm)	Centering Diameter (mm)	Bolt Hole Circle (mm)	Num. of Holes
320	79.5	22	20.4	75	120	5+1

## BMW

MODEL	START Y.	END Y.
X3 (E83)	2003/01	2011/12



## BRAKE DISC

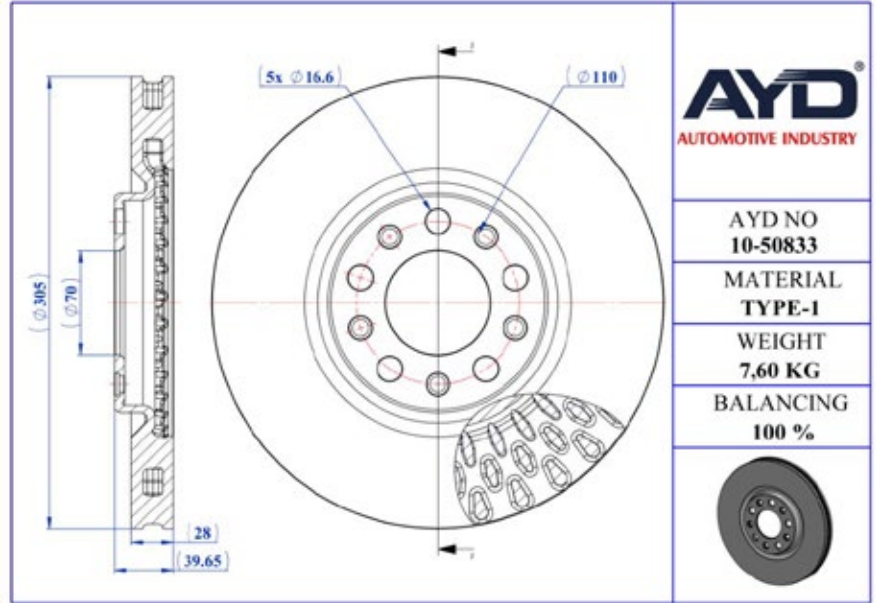
- Front Axle
- Vented

- Safety
- Performance
- OEM Standarts
- AYD Quality



OE:  
68257206AA

**10-50833**



### Technical Specifications:

Diameter (mm)	Height (mm)	Brake Disc Thickness (mm)	Min. Thickness (mm)	Centering Diameter (mm)	Bolt Hole Circle (mm)	Num. of Holes
305	39.65	28	26	70	110	5+5

## CHRYSLER

MODEL	START Y.	END Y.
200 Sedan	2014/06	

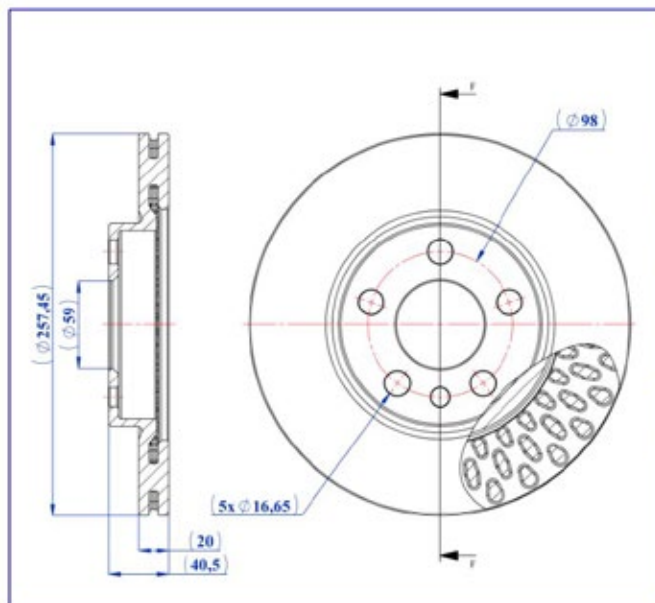


## BRAKE DISC

- Front Axle
- Vented

- Safety
- Performance
- OEM Standards
- AYD Quality

OE:  
E169013  
4249L4  
4249C7



**AYD**  
AUTOMOTIVE INDUSTRY

AYD NO  
**10-50413**

MATERIAL  
**TYPE-1**

WEIGHT  
**4,90 KG**

BALANCING  
**100 %**



**10-50413**

### Technical Specifications:

Diameter (mm)	Height (mm)	Brake Disc Thickness (mm)	Min. Thickness (mm)	Centering Diameter (mm)	Bolt Hole Circle (mm)	Num. of Holes
257.45	40.5	20	18.2	59	98	5+1

## CITROËN

MODEL	START Y.	END Y.
EVASION MPV (22, U6)	1994/03	2002/07
JUMPY (U6U_)	1994/06	2006/12
JUMPY Panelvan/Van (BS_, BT_, BY_, BZ_)	1994/06	2006/10
JUMPY Platform (BU_, BV_, BW_, BX_)	1999/10	2006/10

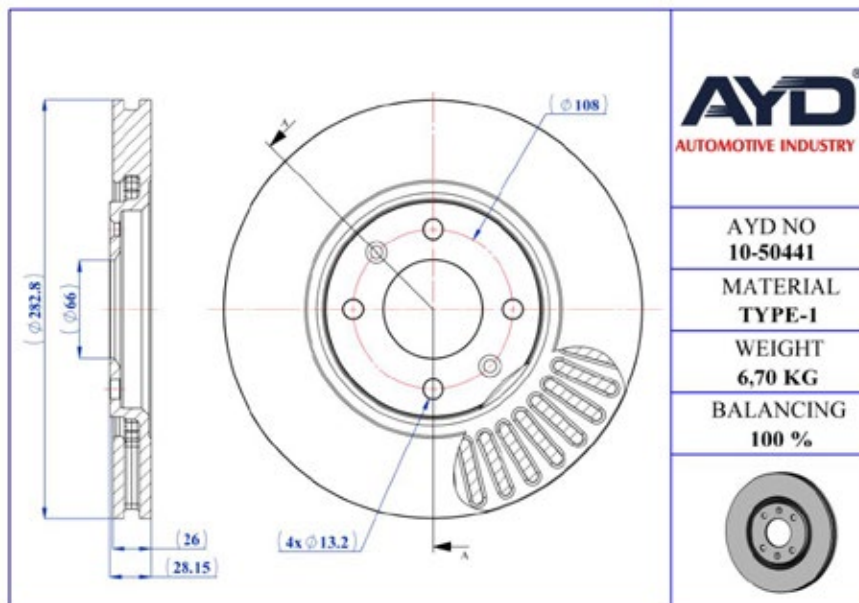
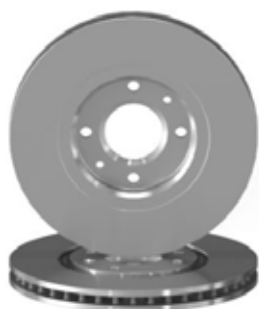


## BRAKE DISC

- Front Axle
- Vented

- Safety
- Performance
- OEM Standarts
- AYD Quality

OE:  
4246R7  
4246L8  
4249J1



**AYD**  
AUTOMOTIVE INDUSTRY

AYD NO  
**10-50441**

MATERIAL  
**TYPE-1**

WEIGHT  
**6,70 KG**

BALANCING  
**100 %**



**10-50441**

### Technical Specifications:

Diameter (mm)	Height (mm)	Brake Disc Thickness (mm)	Min. Thickness (mm)	Centering Diameter (mm)	Bolt Hole Circle (mm)	Num. of Holes
282.8	28.15	26	24	66	108	4+2

## CITROËN

MODEL	START Y.	END Y.
XANTIA (X1_, X2_)	1993/03	2003/04
XANTIA Break (X1_, X2_)	1995/06	2003/04



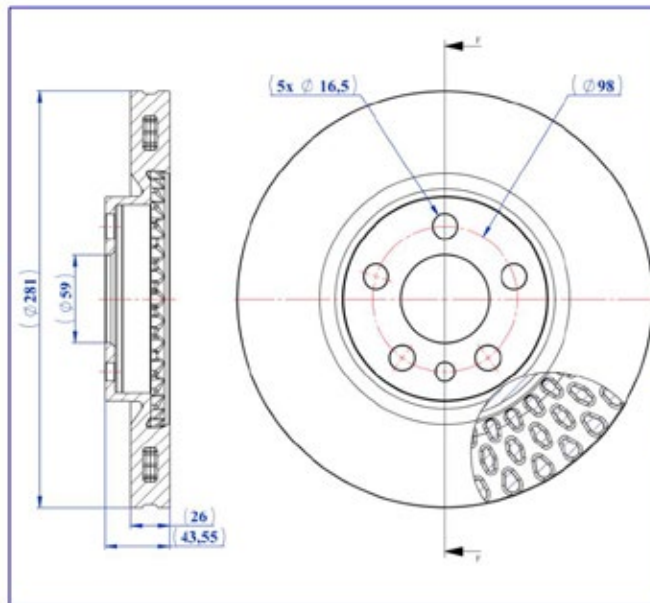
## BRAKE DISC

- Front Axle
- Vented



- Safety
- Performance
- OEM Standards
- AYD Quality

OE:  
4246J2  
4246J3  
4249C8



**AYD**  
AUTOMOTIVE INDUSTRY

AYD NO  
**10-50834**

MATERIAL  
**TYPE-1**

WEIGHT  
**6,76 KG**

BALANCING  
**100 %**



**10-50834**

### Technical Specifications:

Diameter (mm)	Height (mm)	Brake Disc Thickness (mm)	Min. Thickness (mm)	Centering Diameter (mm)	Bolt Hole Circle (mm)	Num. of Holes
281	43.55	26	24.2	59	98	5+1

## CITROËN

MODEL	START Y.	END Y.
EVASION MPV (22, U6)	1994/03	2002/07
JUMPY (U6U_)	1994/06	2006/12
JUMPY Panelvan/Van (BS_, BT_, BY_, BZ_)	1994/06	2006/10
JUMPY Platform (BU_, BV_, BW_, BX_)	1999/10	2006/10



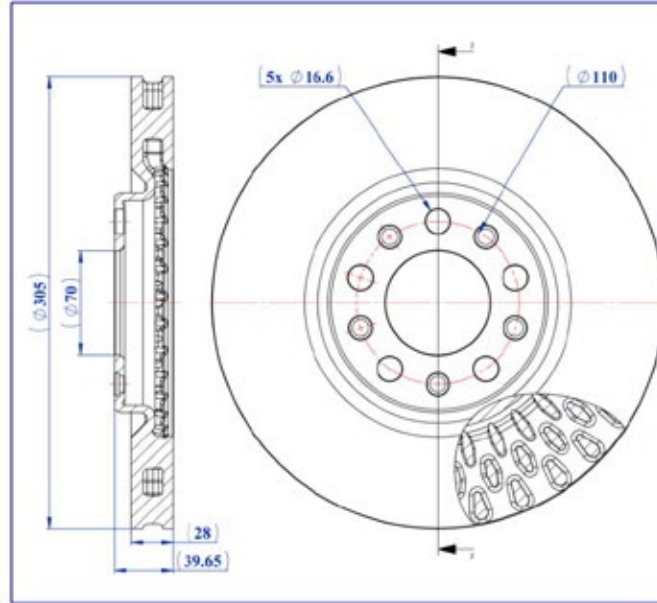
## BRAKE DISC

- Front Axle
- Vented

- Safety
- Performance
- OEM Standarts
- AYD Quality

OE:  
68257206AA  
68082120AA

**10-50833**



**AYD**  
AUTOMOTIVE INDUSTRY

AYD NO  
**10-50833**

MATERIAL  
**TYPE-1**

WEIGHT  
**7,60 KG**

BALANCING  
**100 %**



### Technical Specifications:

Diameter (mm)	Height (mm)	Brake Disc Thickness (mm)	Min. Thickness (mm)	Centering Diameter (mm)	Bolt Hole Circle (mm)	Num. of Holes
305	39.65	28	26	70	110	5+5

## DODGE

MODEL	START Y.	END Y.
DART	2012/04	

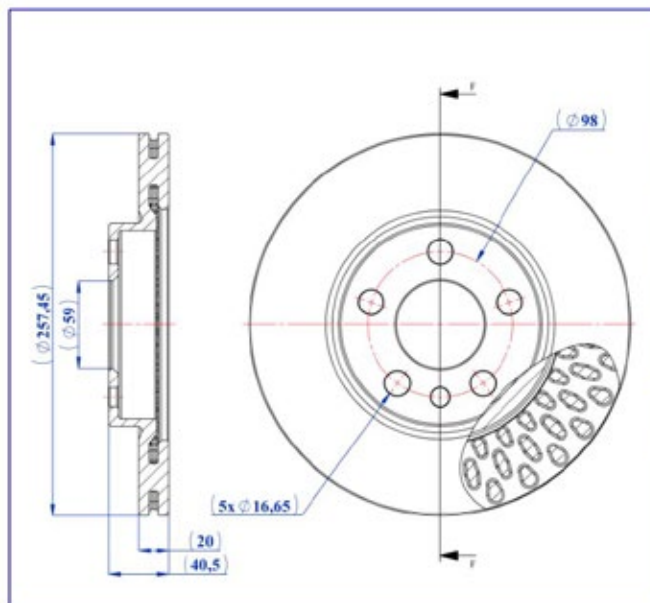


## BRAKE DISC

- Front Axle
- Vented

- Safety
- Performance
- OEM Standards
- AYD Quality

OE:  
1316323080  
71738144



**AYD**  
AUTOMOTIVE INDUSTRY

AYD NO  
**10-50413**

MATERIAL  
**TYPE-1**

WEIGHT  
**4,90 KG**

BALANCING  
**100 %**



**10-50413**

### Technical Specifications:

Diameter (mm)	Height (mm)	Brake Disc Thickness (mm)	Min. Thickness (mm)	Centering Diameter (mm)	Bolt Hole Circle (mm)	Num. of Holes
257.45	40.5	20	18.2	59	98	5+1

## FIAT

MODEL	START Y.	END Y.
SCUDO Minibus/Bus (220_)	1996/02	2006/12
SCUDO Panelvan/Van (220_)	1996/02	2006/12
SCUDO Platform (220_)	1996/09	2006/12
ULYSSE (220_)	1994/06	2002/08



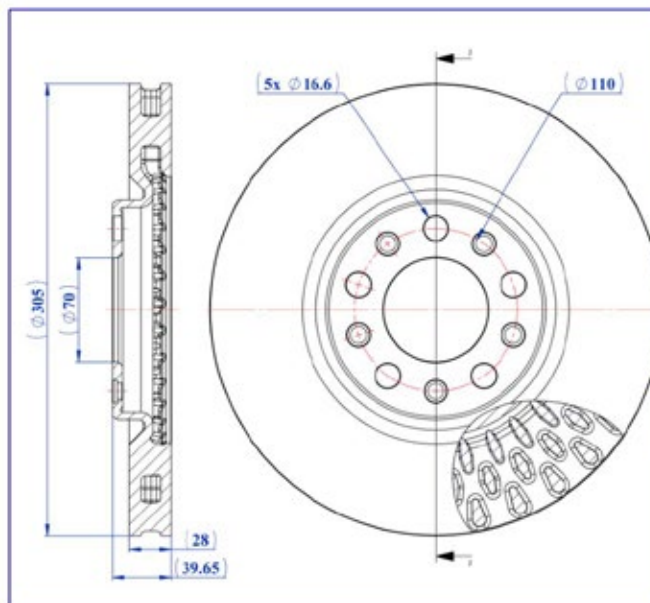
## BRAKE DISC

- Front Axle
- Vented

- Safety
- Performance
- OEM Standarts
- AYD Quality

OE:  
51767382

**10-50833**



**AYD**  
AUTOMOTIVE INDUSTRY

AYD NO  
**10-50833**

MATERIAL  
**TYPE-1**

WEIGHT  
**7,60 KG**

BALANCING  
**100 %**



### Technical Specifications:

Diameter (mm)	Height (mm)	Brake Disc Thickness (mm)	Min. Thickness (mm)	Centering Diameter (mm)	Bolt Hole Circle (mm)	Num. of Holes
305	39.65	28	26	70	110	5+5

## FIAT

MODEL	START Y.	END Y.
500X (334_)	2014/09	





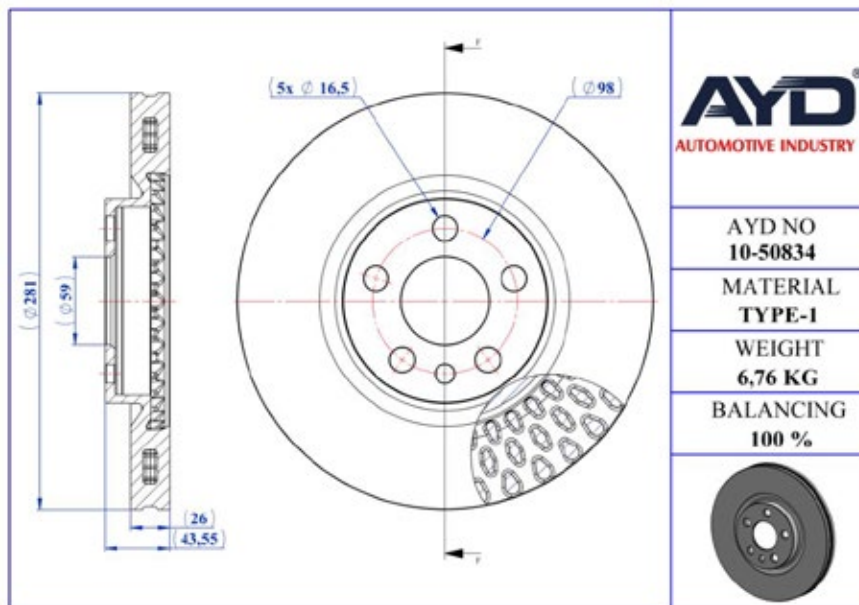
## BRAKE DISC

- Front Axle
- Vented



- Safety
- Performance
- OEM Standards
- AYD Quality

OE:  
1309392080  
1317651080  
71738908



**AYD**  
AUTOMOTIVE INDUSTRY

AYD NO  
**10-50834**

MATERIAL  
**TYPE-1**

WEIGHT  
**6,76 KG**

BALANCING  
**100 %**



**10-50834**

### Technical Specifications:

Diameter (mm)	Height (mm)	Brake Disc Thickness (mm)	Min. Thickness (mm)	Centering Diameter (mm)	Bolt Hole Circle (mm)	Num. of Holes
281	43.55	26	24.2	59	98	5+1

## FIAT

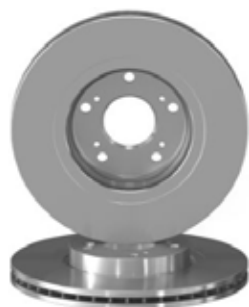
MODEL	START Y.	END Y.
SCUDO Minibus/Bus (220_)	1996/02	2006/12
SCUDO Panelvan/Van (220_)	1996/02	2006/12
ULYSSE (220_)	1994/06	2002/08



## BRAKE DISC

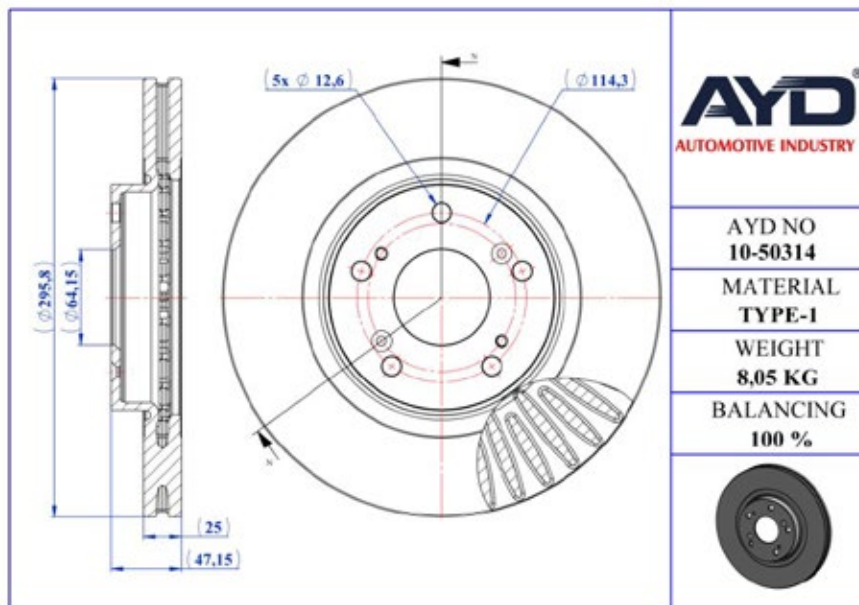
- Front Axle
- Vented

- Safety
- Performance
- OEM Standards
- AYD Quality



OE:  
45251TL1G01  
45251TL1G00

**10-50314**



### Technical Specifications:

Diameter (mm)	Height (mm)	Brake Disc Thickness (mm)	Min. Thickness (mm)	Centering Diameter (mm)	Bolt Hole Circle (mm)	Num. of Holes
295.8	47.15	25	23	64.15	114.3	5+4

## HONDA

MODEL	START Y.	END Y.
ACCORD VIII (CU)	2008/04	
ACCORD VIII Station wagon (CW)	2008/07	

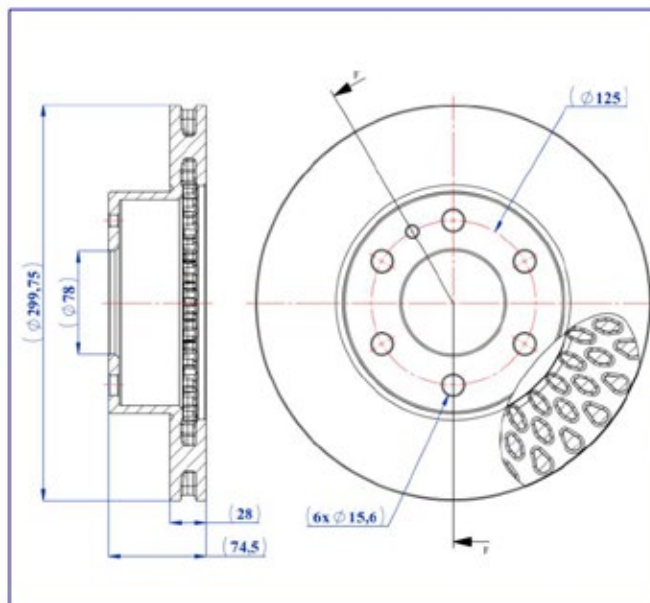


## BRAKE DISC

- Front Axle
- Vented

- Safety
- Performance
- OEM Standarts
- AYD Quality

OE:  
2996131  
504121605  
5801639518



**AYD**  
AUTOMOTIVE INDUSTRY

AYD NO  
**10-50479**

MATERIAL  
**TYPE-1**

WEIGHT  
**8,69 KG**

BALANCING  
**100 %**



**10-50479**

### Technical Specifications:

Diameter (mm)	Height (mm)	Brake Disc Thickness (mm)	Min. Thickness (mm)	Centering Diameter (mm)	Bolt Hole Circle (mm)	Num. of Holes
299.75	74.5	28	25	78	125	6+1

## IVECO

MODEL	START Y.	END Y.
DAILY IV Minibus/Bus	2006/05	2011/08
DAILY IV Panelvan/Van	2006/05	2012/03
DAILY IV Platform	2006/05	2012/03
DAILY V Panelvan/Van	2011/09	2014/02
DAILY V Platform	2011/09	2014/02
DAILY VI Minibus/Bus	2014/03	
DAILY VI Panelvan/Van	2014/03	
DAILY VI Platform	2014/03	

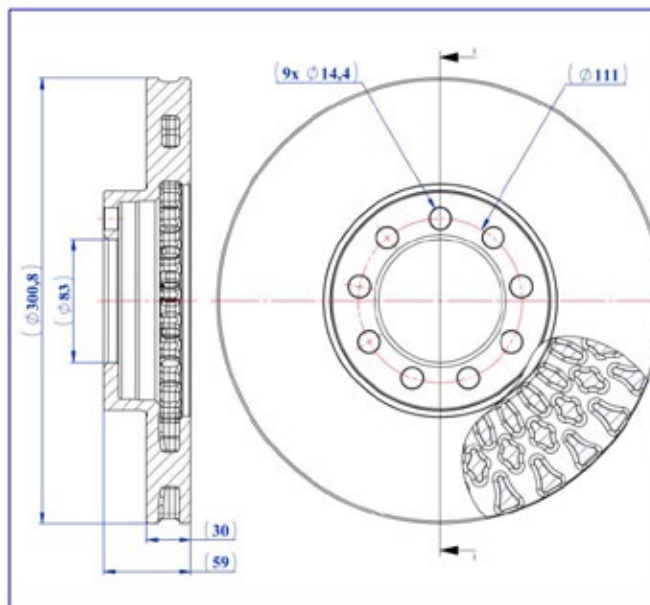


## BRAKE DISC

- Front Axle
- Vented

- Safety
- Performance
- OEM Standards
- AYD Quality

OE:  
5801718330  
504121723  
2996122



**AYD**  
AUTOMOTIVE INDUSTRY

AYD NO  
**10-50925**

MATERIAL  
**TYPE-1**

WEIGHT  
**9,35 KG**

BALANCING  
**100 %**



**10-50925**

### Technical Specifications:

Diameter (mm)	Height (mm)	Brake Disc Thickness (mm)	Min. Thickness (mm)	Centering Diameter (mm)	Bolt Hole Circle (mm)	Num. of Holes
300.8	59	30	27	83	111	9

## IVECO

MODEL	START Y.	END Y.
DAILY IV Panelvan/Van	2006/05	2012/03
DAILY IV Platform	2006/05	2012/03
DAILY V Panelvan/Van	2011/09	2014/02
DAILY V Platform	2011/09	2014/02
DAILY VI Minibus/Bus	2014/03	
DAILY VI Panelvan/Van	2014/03	
DAILY VI Platform	2014/03	



## BRAKE DISC

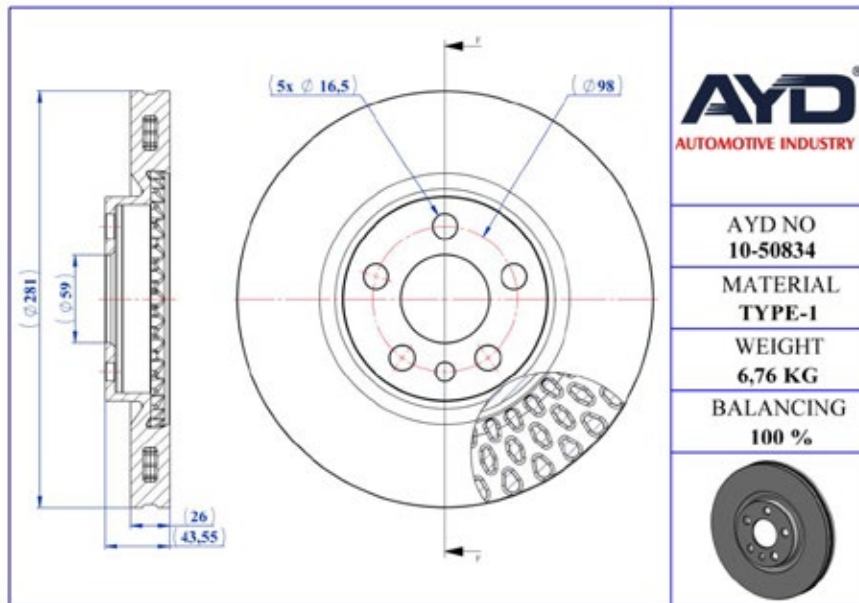
- Front Axle
- Vented



- Safety
- Performance
- OEM Standarts
- AYD Quality

OE:  
1309392080

**10-50834**



**AYD**  
AUTOMOTIVE INDUSTRY

AYD NO  
**10-50834**

MATERIAL  
**TYPE-1**

WEIGHT  
**6,76 KG**

BALANCING  
**100 %**



### Technical Specifications:

Diameter (mm)	Height (mm)	Brake Disc Thickness (mm)	Min. Thickness (mm)	Centering Diameter (mm)	Bolt Hole Circle (mm)	Num. of Holes
281	43.55	26	24.2	59	98	5+1

## LANCIA

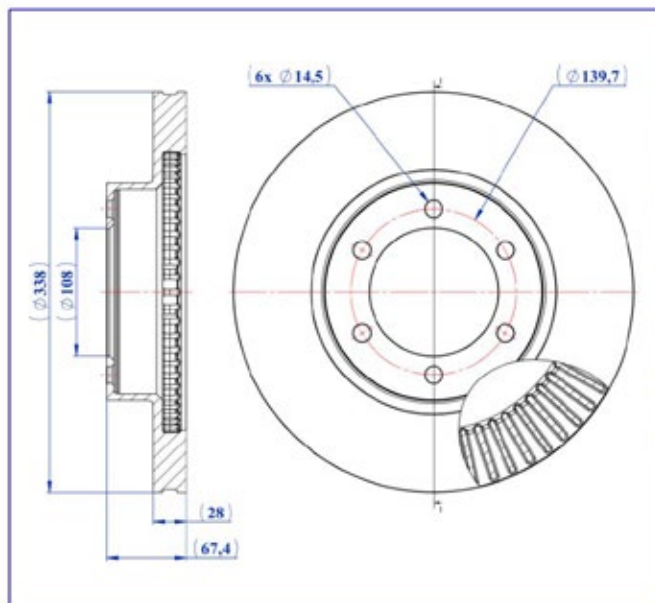
MODEL	START Y.	END Y.
ZETA (22_)	1995/05	2003/10



## BRAKE DISC

- Front Axle
- Vented

- Safety
- Performance
- OEM Standarts
- AYD Quality



AYD NO  
**10-50836**

MATERIAL  
**TYPE-1**

WEIGHT  
**9,20 KG**

BALANCING  
**100 %**



OE:  
4351260160

**10-50836**

### Technical Specifications:

Diameter (mm)	Height (mm)	Brake Disc Thickness (mm)	Min. Thickness (mm)	Centering Diameter (mm)	Bolt Hole Circle (mm)	Num. of Holes
338	67.4	28	26	108	139.7	6

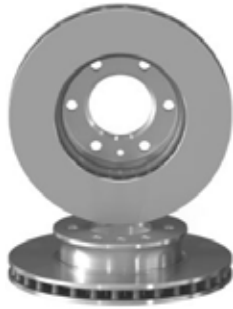
## LEXUS

MODEL	START Y.	END Y.
GX (_J12_)	2001/11	2009/11



## BRAKE DISC

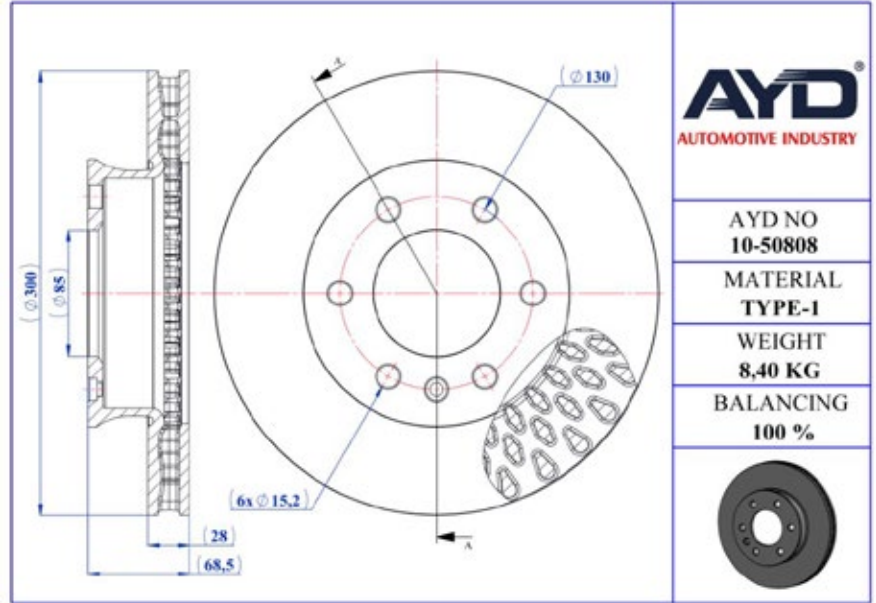
- Front Axle
- Vented



- Safety
- Performance
- OEM Standards
- AYD Quality

OE:  
9104210000  
9104210100

**10-50808**



**AYD**  
AUTOMOTIVE INDUSTRY

AYD NO  
**10-50808**

MATERIAL  
**TYPE-1**

WEIGHT  
**8,40 KG**

BALANCING  
**100 %**



### Technical Specifications:

Diameter (mm)	Height (mm)	Brake Disc Thickness (mm)	Min. Thickness (mm)	Centering Diameter (mm)	Bolt Hole Circle (mm)	Num. of Holes
300	68.5	28	25	85	130	6+1

## MERCEDES-BENZ

MODEL	START Y.	END Y.
SPRINTER 3-t Panelvan/Van (B910)	2018/02	
SPRINTER 3-t Platform (B910, B907)	2018/02	
SPRINTER 3-t Tourer Bus (B907)	2018/02	
SPRINTER 3,5-t Panelvan/Van (B907, B910)	2018/02	
SPRINTER 3,5-t Platform (B907, B910)	2018/02	
SPRINTER 3,5-t Tourer Bus (B907)	2018/02	
SPRINTER 4-t Panelvan/Van (B907, B910)	2018/02	
SPRINTER 4-t Platform (B907, B910)	2018/02	

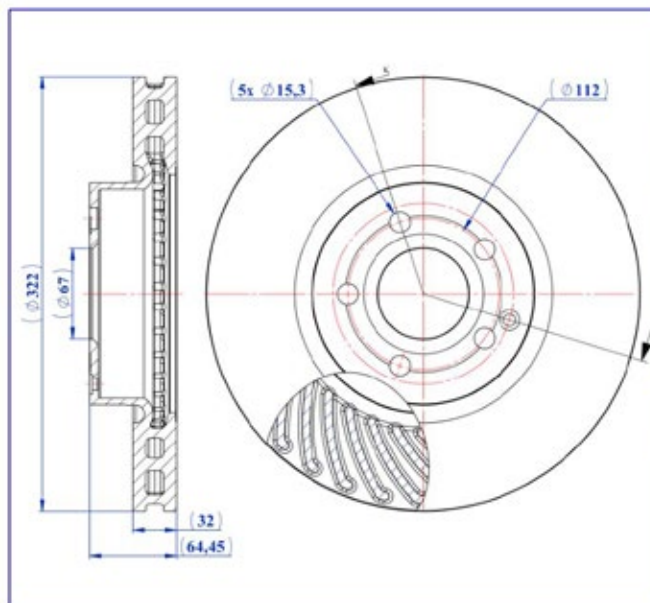


## BRAKE DISC

- Front Axle
- Vented

- Safety
- Performance
- OEM Standarts
- AYD Quality

OE:  
2044210812  
0004211212  
421121207



**AYD**  
AUTOMOTIVE INDUSTRY

AYD NO  
**10-50830**

MATERIAL  
**TYPE-1**

WEIGHT  
**10,91 KG**

BALANCING  
**100 %**



**10-50830**

### Technical Specifications:

Diameter (mm)	Height (mm)	Brake Disc Thickness (mm)	Min. Thickness (mm)	Centering Diameter (mm)	Bolt Hole Circle (mm)	Num. of Holes
322	64.45	32	29.4	67	112	5+1

## MERCEDES-BENZ

MODEL	START Y.	END Y.
C-SERISI (W204)	2007/01	2015/01
C-SERISI Coupe (C204)	2011/01	
C-SERISI T-Model (S204)	2007/08	2014/08
E-SERISI (W212)	2009/01	2016/12
E-SERISI Cabrio (A207)	2010/01	2016/12
E-SERISI Coupe (C207)	2009/01	2016/12
E-SERISI T-Model (S212)	2009/08	2016/12
SLC (R172)	2016/01	
SLK (R172)	2011/01	



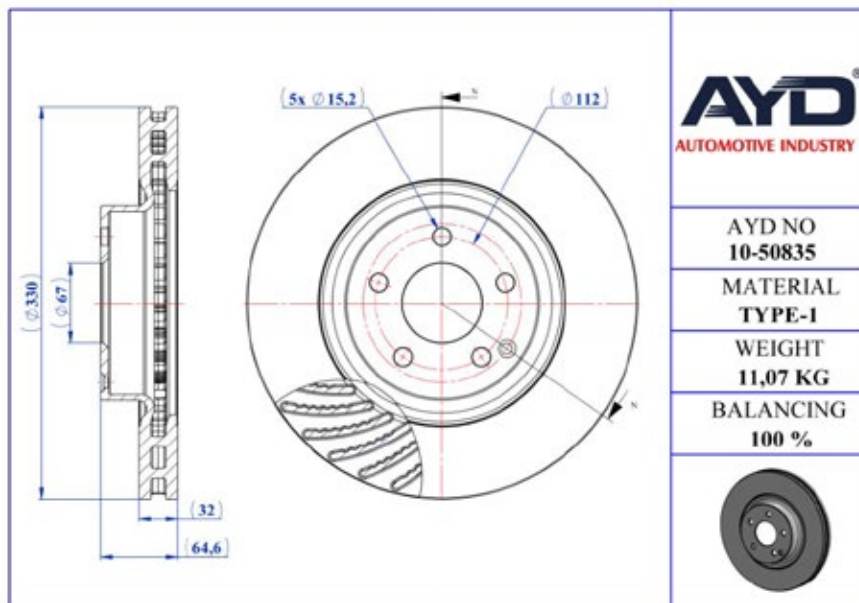


## BRAKE DISC

- Front Axle
- Vented

- Safety
- Performance
- OEM Standarts
- AYD Quality

OE:  
2044212912  
2114211012  
2114211312



**AYD**  
AUTOMOTIVE INDUSTRY

AYD NO  
**10-50835**

MATERIAL  
**TYPE-1**

WEIGHT  
**11,07 KG**

BALANCING  
**100 %**



**10-50835**

### Technical Specifications:

Diameter (mm)	Height (mm)	Brake Disc Thickness (mm)	Min. Thickness (mm)	Centering Diameter (mm)	Bolt Hole Circle (mm)	Num. of Holes
330	64.6	32	29.4	67	112	5+1

## MERCEDES-BENZ

MODEL	START Y.	END Y.
CLS (C219)	2004/10	2011/02
E-SERISI (W211)	2002/03	2009/03
E-SERISI T-Model (S211)	2003/02	2009/07
GLK-SERISI (X204)	2008/06	2015/12



## BRAKE DISC

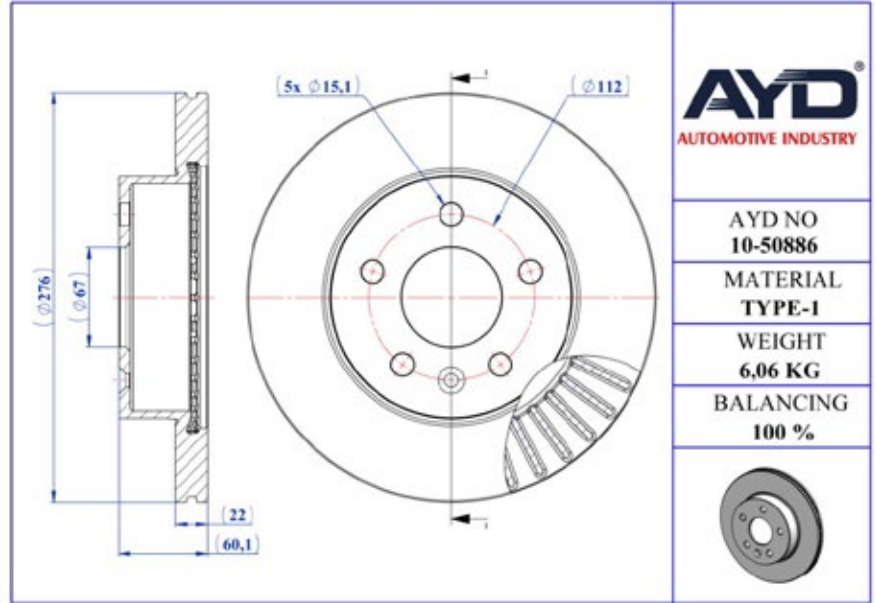
- Front Axle
- Vented



- Safety
- Performance
- OEM Standards
- AYD Quality

OE:  
638421011205  
6384210112

**10-50886**



**AYD**  
AUTOMOTIVE INDUSTRY

AYD NO  
**10-50886**

MATERIAL  
**TYPE-1**

WEIGHT  
**6,06 KG**

BALANCING  
**100 %**



### Technical Specifications:

Diameter (mm)	Height (mm)	Brake Disc Thickness (mm)	Min. Thickness (mm)	Centering Diameter (mm)	Bolt Hole Circle (mm)	Num. of Holes
276	60.1	22	19	67	112	5+1

## MERCEDES-BENZ

MODEL	START Y.	END Y.
V-SERISI (638/2)	1996/02	2003/07
VITO Minibus/Bus (W638)	1996/02	2003/07
VITO Panelvan/Van (W638)	1997/03	2003/07

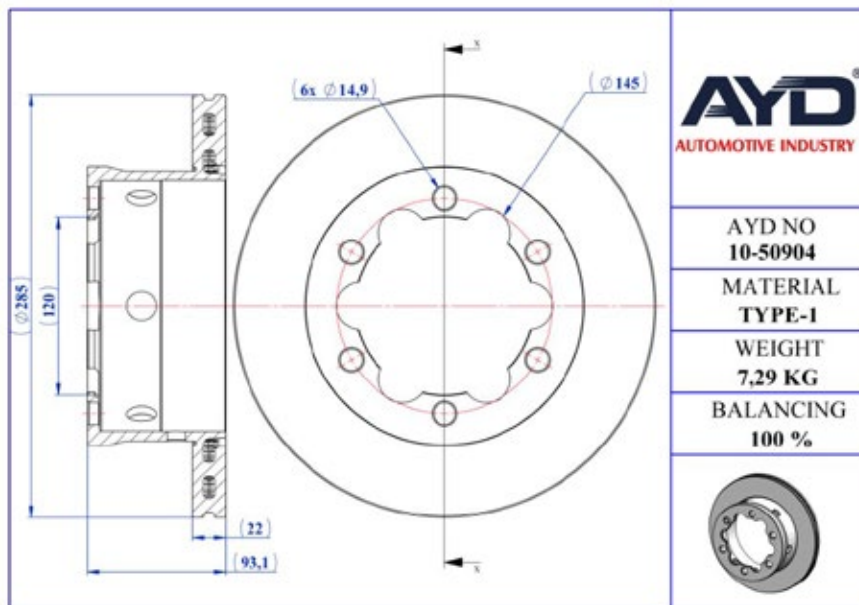


## BRAKE DISC

- Rear Axle
- Vented

- Safety
- Performance
- OEM Standarts
- AYD Quality

OE:  
9044230212  
9044230312  
9044230512



**AYD**  
AUTOMOTIVE INDUSTRY

AYD NO  
**10-50904**

MATERIAL  
**TYPE-1**

WEIGHT  
**7,29 KG**

BALANCING  
**100 %**



**10-50904**

### Technical Specifications:

Diameter (mm)	Height (mm)	Brake Disc Thickness (mm)	Min. Thickness (mm)	Centering Diameter (mm)	Bolt Hole Circle (mm)	Num. of Holes
285	93.1	22	19	120	145	6

## MERCEDES-BENZ

MODEL	START Y.	END Y.
SPRINTER 2-t Minibus/Bus (B901, B902)	1995/01	2006/05
SPRINTER 2-t Panelvan/Van (B901, B902)	1995/01	2006/05
SPRINTER 2-t Platform (B901, B902)	1995/01	2006/05
SPRINTER 3-t Minibus/Bus (B903)	1995/01	2012/05
SPRINTER 3-t Panelvan/Van (B903)	1995/01	2012/05
SPRINTER 3-t Platform (B903)	1995/01	2012/05
SPRINTER 4-t Minibus/Bus (B904)	1996/02	2006/05
SPRINTER 4-t Panelvan/Van (B904)	1995/02	2012/05
SPRINTER 4-t Platform (B904)	1995/02	2012/05
VARIO Panelvan/Van (B667, B670, B668)	1996/09	
VARIO Platform (B670, B668, B667)	1996/09	

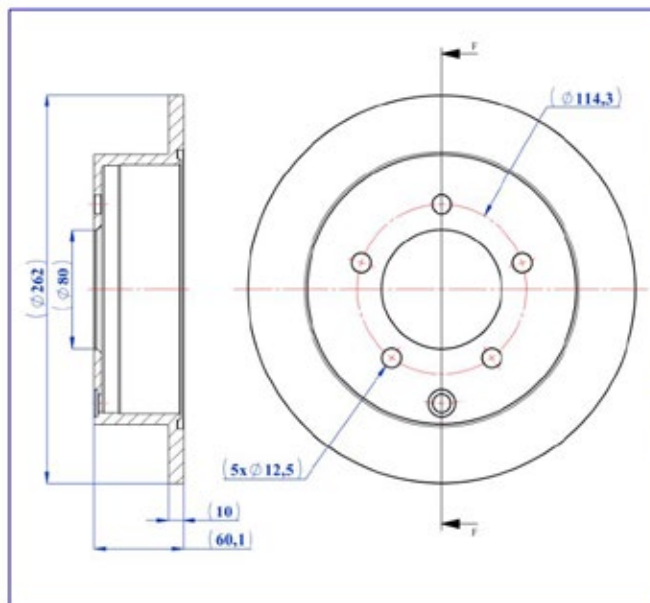


## BRAKE DISC

- Rear Axle
- Solid

- Safety
- Performance
- OEM Standarts
- AYD Quality

OE:  
4615A194  
MN116332  
4615A119



**AYD**  
AUTOMOTIVE INDUSTRY

AYD NO  
**10-50216**

MATERIAL  
**TYPE-1**

WEIGHT  
**4,19 KG**

BALANCING  
**100 %**



**10-50216**

### Technical Specifications:

Diameter (mm)	Height (mm)	Brake Disc Thickness (mm)	Min. Thickness (mm)	Centering Diameter (mm)	Bolt Hole Circle (mm)	Num. of Holes
262	60.1	10	8.4	80	114.3	5+1

## MITSUBISHI

MODEL	START Y.	END Y.
LANCER VIII (CY_A, CZ_A)	2007/03	
LANCER VIII Sportback (CX_A)	2007/10	

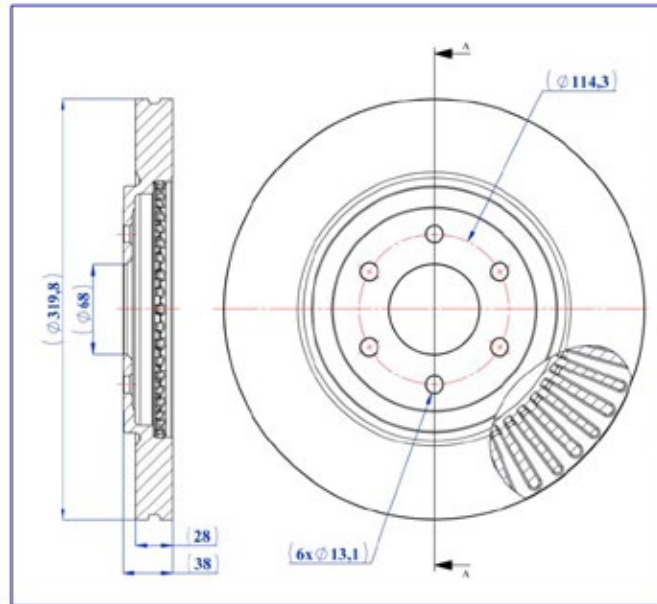


## BRAKE DISC

- Front Axle
- Vented

- Safety
- Performance
- OEM Standards
- AYD Quality

OE:  
402063X00B  
402065X00A  
402065X01A



**AYD**  
AUTOMOTIVE INDUSTRY

AYD NO  
**10-50383**

MATERIAL  
**TYPE-1**

WEIGHT  
**9,87 KG**

BALANCING  
**100 %**



**10-50383**

### Technical Specifications:

Diameter (mm)	Height (mm)	Brake Disc Thickness (mm)	Min. Thickness (mm)	Centering Diameter (mm)	Bolt Hole Circle (mm)	Num. of Holes
319.8	38	28	26	68	114.3	6

## NISSAN

MODEL	START Y.	END Y.
NP300 NAVARA (D40)	2004/10	
NP300 NAVARA Platform (D40)	2008/07	
PATHFINDER III (R51)	2005/01	



## BRAKE DISC

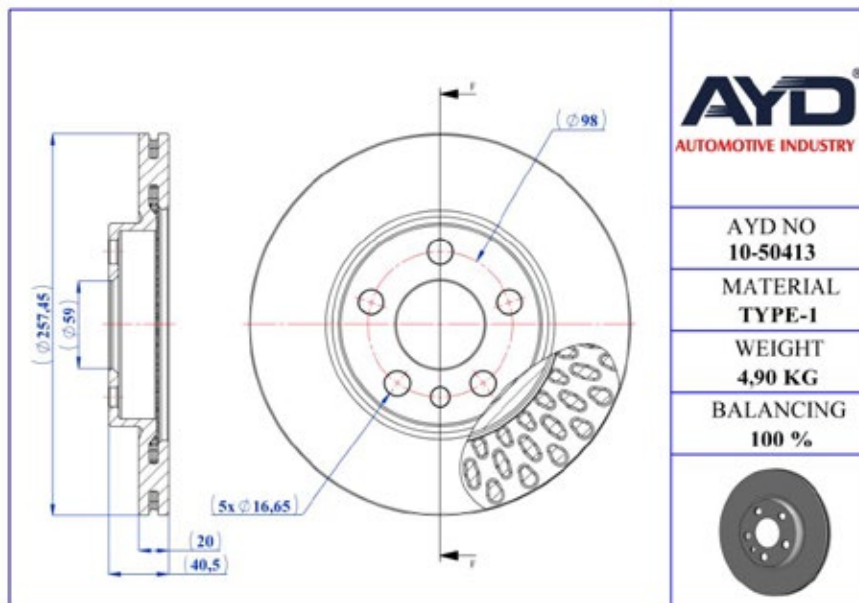
- Front Axle
- Vented

- Safety
- Performance
- OEM Standards
- AYD Quality



OE:  
4246H8  
1618860380

**10-50413**



**AYD**  
AUTOMOTIVE INDUSTRY

AYD NO  
**10-50413**

MATERIAL  
**TYPE-1**

WEIGHT  
**4,90 KG**

BALANCING  
**100 %**



### Technical Specifications:

Diameter (mm)	Height (mm)	Brake Disc Thickness (mm)	Min. Thickness (mm)	Centering Diameter (mm)	Bolt Hole Circle (mm)	Num. of Holes
257.45	40.5	20	18.2	59	98	5+1

## PEUGEOT

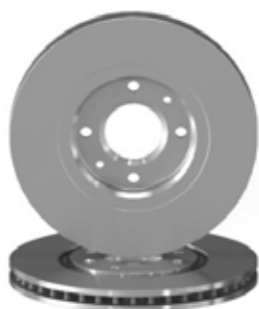
MODEL	START Y.	END Y.
806 (221)	1994/06	2002/08
EXPERT (224_)	1995/10	2006/12
EXPERT Panelvan/Van (222)	1995/07	2008/03
EXPERT Platform (223)	1995/12	2006/12



## BRAKE DISC

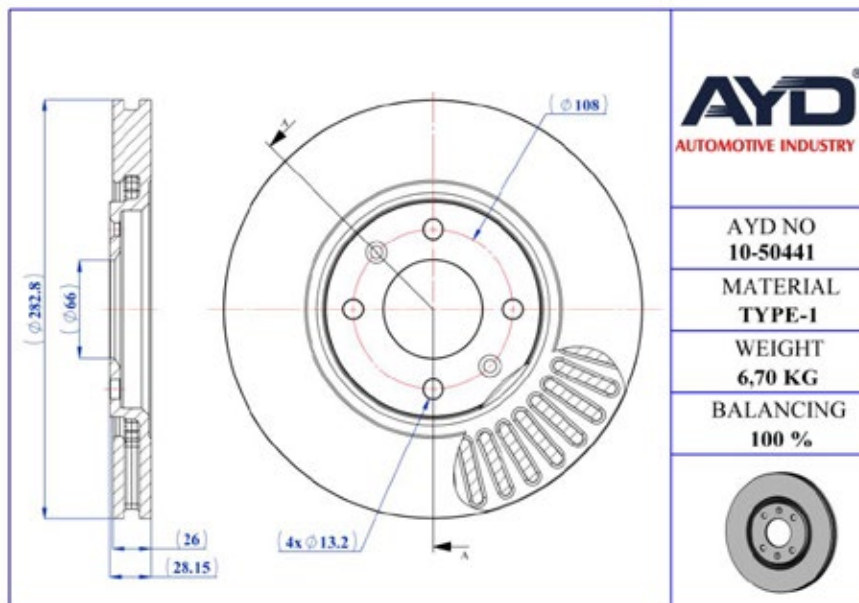
- Front Axle
- Vented

- Safety
- Performance
- OEM Standards
- AYD Quality



OE:  
1606400380

**10-50441**



**AYD**  
AUTOMOTIVE INDUSTRY

AYD NO  
**10-50441**

MATERIAL  
**TYPE-1**

WEIGHT  
**6,70 KG**

BALANCING  
**100 %**



### Technical Specifications:

Diameter (mm)	Height (mm)	Brake Disc Thickness (mm)	Min. Thickness (mm)	Centering Diameter (mm)	Bolt Hole Circle (mm)	Num. of Holes
282.8	28.15	26	24	66	108	4+2

## PEUGEOT

MODEL	START Y.	END Y.
406 (8B)	1995/08	2005/01
406 Break (8E/F)	1996/10	2004/10
406 Coupe (8C)	1997/03	2005/02



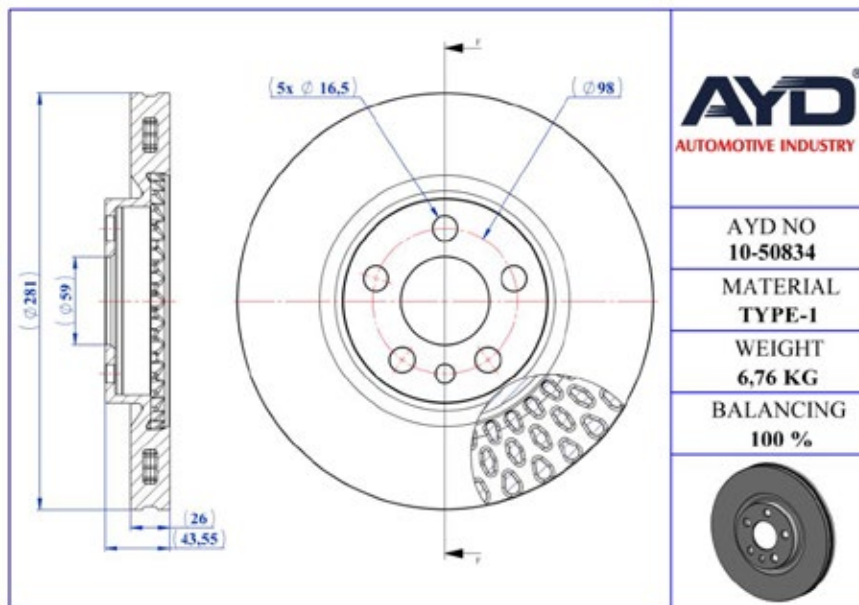
## BRAKE DISC

- Front Axle
- Vented



- Safety
- Performance
- OEM Standards
- AYD Quality

OE:  
1606400580  
1618863580  
1667857580



**AYD**  
AUTOMOTIVE INDUSTRY

AYD NO  
**10-50834**

MATERIAL  
**TYPE-1**

WEIGHT  
**6,76 KG**

BALANCING  
**100 %**



**10-50834**

### Technical Specifications:

Diameter (mm)	Height (mm)	Brake Disc Thickness (mm)	Min. Thickness (mm)	Centering Diameter (mm)	Bolt Hole Circle (mm)	Num. of Holes
281	43.55	26	24.2	59	98	5+1

## PEUGEOT

MODEL	START Y.	END Y.
806 (221)	1994/06	2002/08
EXPERT (224_)	1995/10	2006/12
EXPERT Panelvan/Van (222)	1995/07	2008/03
EXPERT Platform (223)	1995/12	2006/12



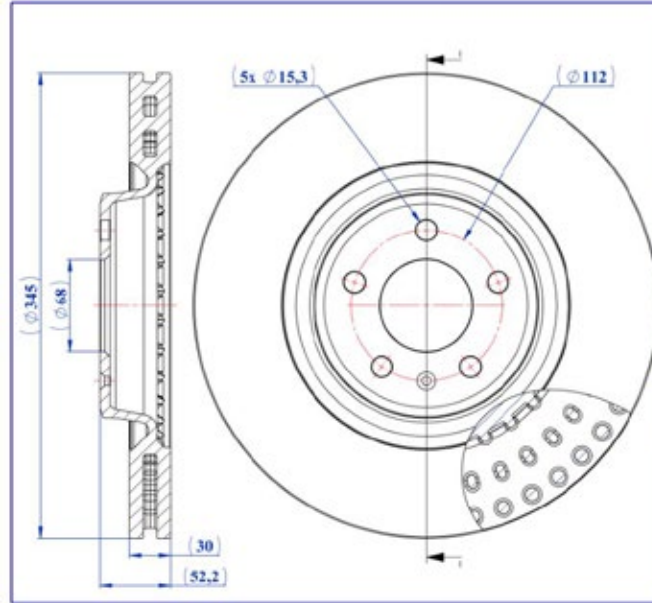


## BRAKE DISC

- Front Axle
- Vented

- Safety
- Performance
- OEM Standarts
- AYD Quality

OE:  
95B615301B  
95B615301M



**AYD**  
AUTOMOTIVE INDUSTRY

AYD NO  
**10-50831**

MATERIAL  
**TYPE-1**

WEIGHT  
**11,27 KG**

BALANCING  
**100 %**



**10-50831**

### Technical Specifications:

Diameter (mm)	Height (mm)	Brake Disc Thickness (mm)	Min. Thickness (mm)	Centering Diameter (mm)	Bolt Hole Circle (mm)	Num. of Holes
345	52.2	30	28	68	112	5+1

## PORSCHE

MODEL	START Y.	END Y.
MACAN (95B)	2014/02	

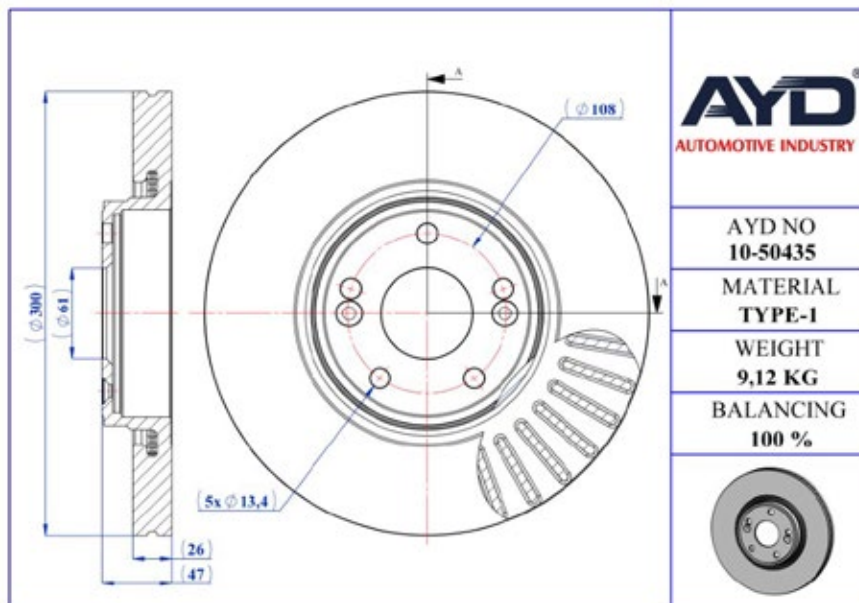
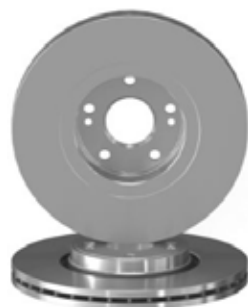


## BRAKE DISC

- Front Axle
- Vented

- Safety
- Performance
- OEM Standarts
- AYD Quality

OE:  
8200007122  
7701206614



**AYD**  
AUTOMOTIVE INDUSTRY

AYD NO  
**10-50435**

MATERIAL  
**TYPE-1**

WEIGHT  
**9,12 KG**

BALANCING  
**100 %**



**10-50435**

### Technical Specifications:

Diameter (mm)	Height (mm)	Brake Disc Thickness (mm)	Min. Thickness (mm)	Centering Diameter (mm)	Bolt Hole Circle (mm)	Num. of Holes
300	47	26	23	61	108	5+2

## RENAULT

MODEL	START Y.	END Y.
LAGUNA II (BG0/1_)	2001/03	2007/12
LAGUNA II Grandtour (KG0/1_)	2001/03	2007/12

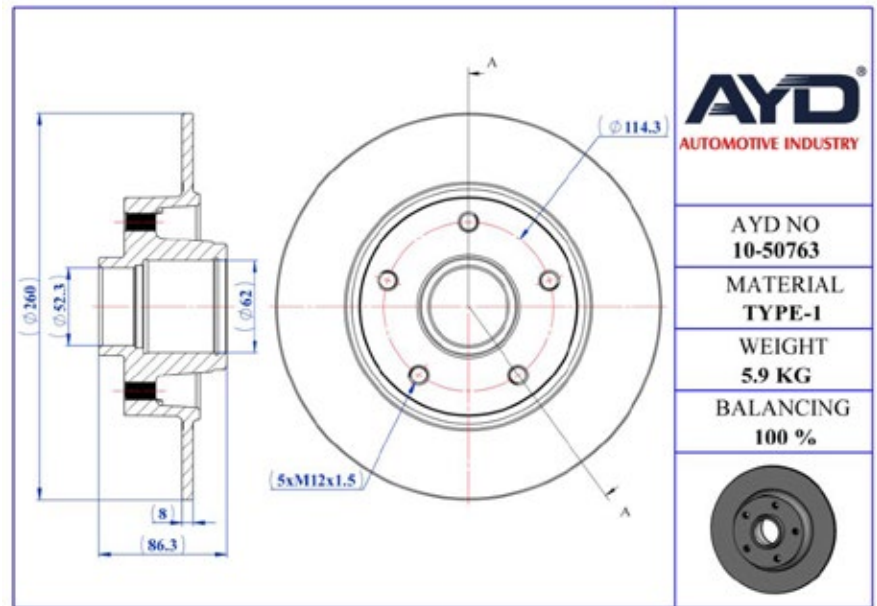


## BRAKE DISC

- Rear Axle
- Solid

- Safety
- Performance
- OEM Standarts
- AYD Quality

OE:  
432002188R  
432007556R  
432000010R



**AYD**  
AUTOMOTIVE INDUSTRY

AYD NO  
**10-50763**

MATERIAL  
**TYPE-1**

WEIGHT  
**5.9 KG**

BALANCING  
**100 %**



**10-50763**

### Technical Specifications:

Diameter (mm)	Height (mm)	Brake Disc Thickness (mm)	Min. Thickness (mm)	Centering Diameter (mm)	Bolt Hole Circle (mm)	Num. of Holes
260	86.3	8	7	62	114.3	5

## RENAULT

MODEL	START Y.	END Y.
CLIO IV (BH_)	2012/11	
FLUENCE (L3_)	2010/02	
GRAND SCÉNIC III (JZ0/1_)	2009/02	
MEGANE CC (EZ0/1_)	2010/06	
MEGANE III Combi Van (KZ0/1)	2009/01	2015/08
MEGANE III Grandtour (KZ0/1)	2008/11	
SCÉNIC III (JZ0/1_)	2008/12	



## BRAKE DISC

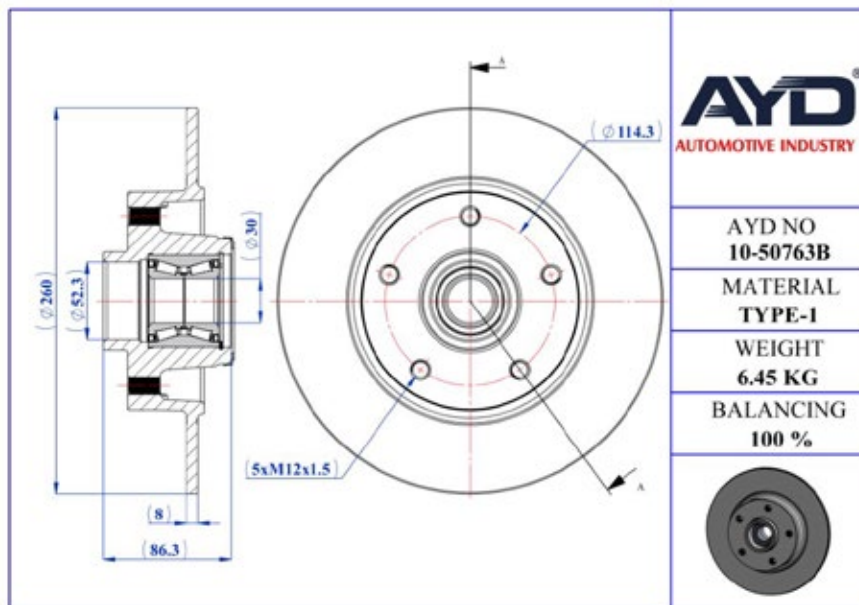
- Rear Axle
- Solid

- Safety
- Performance
- OEM Standarts
- AYD Quality



OE:  
432002188R-B

**10-50763B**



**AYD**  
AUTOMOTIVE INDUSTRY

AYD NO  
**10-50763B**

MATERIAL  
**TYPE-1**

WEIGHT  
**6.45 KG**

BALANCING  
**100 %**



### Technical Specifications:

Diameter (mm)	Height (mm)	Brake Disc Thickness (mm)	Min. Thickness (mm)	Centering Diameter (mm)	Bolt Hole Circle (mm)	Num. of Holes
260	86.3	8	7	30	114.3	5

## RENAULT

MODEL	START Y.	END Y.
CLIO IV (BH_)	2012/11	
CLIO IV Grandtour (KH_)	2012/11	
CLIO IV Hatchback (BH_)	2014/01	
FLUENCE (L3_)	2010/02	
GRAND SCÉNIC III (JZ0/1_)	2009/02	
MEGANE CC (EZ0/1_)	2010/06	
MEGANE II Station wagon (KM0/1_)	2003/08	2012/08
MEGANE III Combi Van (KZ0/1)	2009/01	2015/08
MEGANE III Coupe (DZ0/1_)	2008/11	
MEGANE III Grandtour (KZ0/1)	2008/11	
MEGANE III Hatchback (BZ0/1_, B3_)	2008/11	

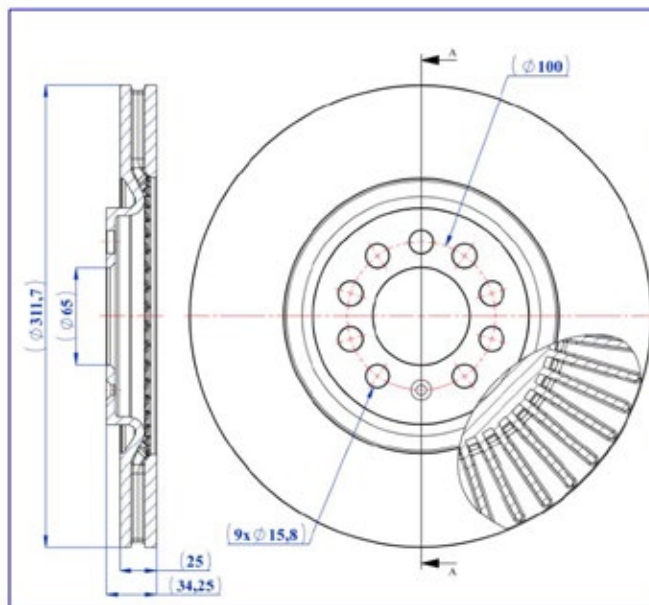
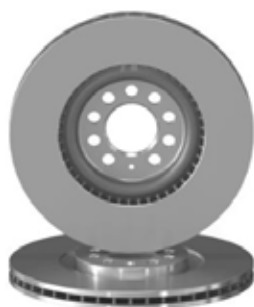


## BRAKE DISC

- Front Axle
- Vented

- Safety
- Performance
- OEM Standards
- AYD Quality

OE:  
8N0615301A  
8L0615301



**AYD**  
AUTOMOTIVE INDUSTRY

AYD NO  
**10-50374**

MATERIAL  
**TYPE-1**

WEIGHT  
**7,87 KG**

BALANCING  
**100 %**



**10-50374**

### Technical Specifications:

Diameter (mm)	Height (mm)	Brake Disc Thickness (mm)	Min. Thickness (mm)	Centering Diameter (mm)	Bolt Hole Circle (mm)	Num. of Holes
311.7	34.25	25	23	65	100	9+1

## SEAT

MODEL	START Y.	END Y.
IBIZA III (6L1)	2002/02	2009/11
IBIZA IV (6J5, 6P1)	2008/03	2017/12
IBIZA IV SC (6J1, 6P5)	2008/06	2018/12
IBIZA IV ST (6J8, 6P8)	2010/03	2016/07
LEON (1M1)	1999/11	2006/06
TOLEDO II (1M2)	1998/10	2006/05

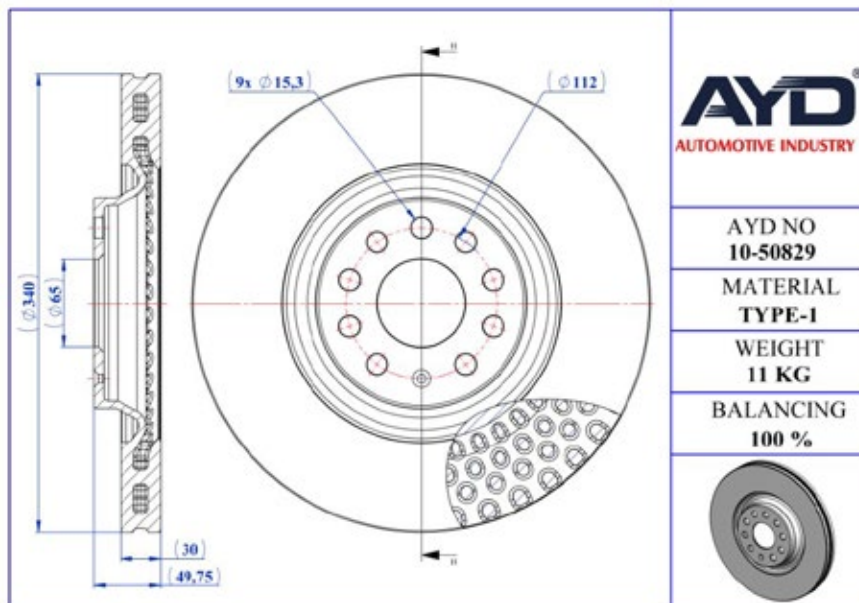


## BRAKE DISC

- Front Axle
- Vented

- Safety
- Performance
- OEM Standarts
- AYD Quality

OE:  
5Q0615301G  
8S0615301



**AYD**  
AUTOMOTIVE INDUSTRY

AYD NO  
**10-50829**

MATERIAL  
**TYPE-1**

WEIGHT  
**11 KG**

BALANCING  
**100 %**



**10-50829**

### Technical Specifications:

Diameter (mm)	Height (mm)	Brake Disc Thickness (mm)	Min. Thickness (mm)	Centering Diameter (mm)	Bolt Hole Circle (mm)	Num. of Holes
340	49.75	30	27	65	112	9+1

## SEAT

MODEL	START Y.	END Y.
LEON (5F1)	2012/09	2021/05
LEON Hatchback (5F1)	2012/09	2020/08
LEON SC (5F5)	2013/01	2018/12
LEON ST van (5F8)	2013/01	2020/08
LEON ST (5F8)	2012/09	2020/08
TARRACO (KN2)	2018/09	

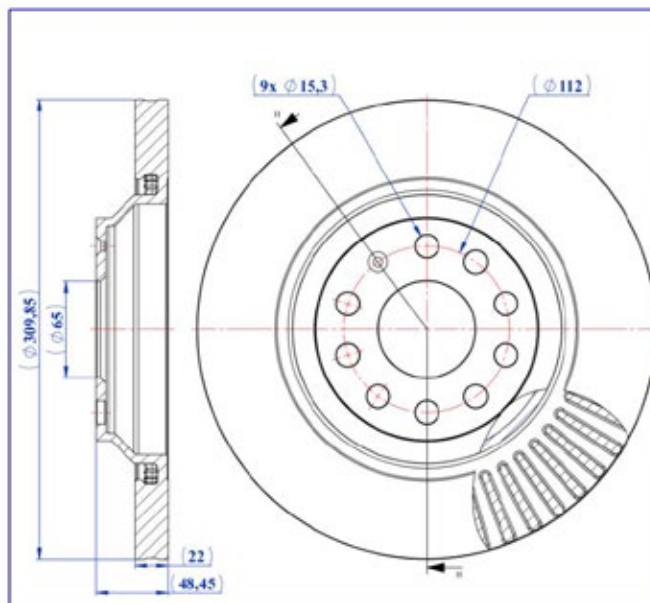
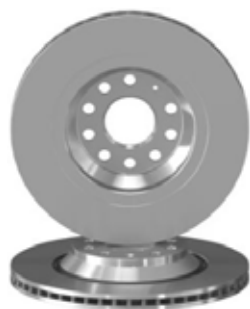


## BRAKE DISC

- Rear Axle
- Vented

- Safety
- Performance
- OEM Standards
- AYD Quality

OE:  
5QM615601A  
1K0615601N



**AYD**  
AUTOMOTIVE INDUSTRY

AYD NO  
**10-50837**

MATERIAL  
**TYPE-1**

WEIGHT  
**7,05 KG**

BALANCING  
**100 %**



**10-50837**

### Technical Specifications:

Diameter (mm)	Height (mm)	Brake Disc Thickness (mm)	Min. Thickness (mm)	Centering Diameter (mm)	Bolt Hole Circle (mm)	Num. of Holes
309.85	48.45	22	20	65	112	9+1

## SEAT

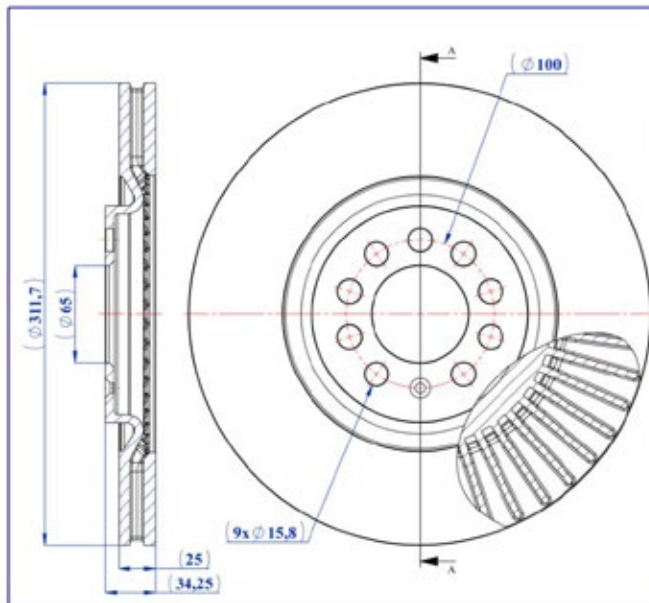
MODEL	START Y.	END Y.
LEON (5F1)	2012/09	2021/05
LEON Hatchback (5F1)	2012/09	2020/08
LEON SC (5F5)	2013/01	2018/12
LEON ST van (5F8)	2013/01	2020/08
LEON ST (5F8)	2012/09	2020/08



## BRAKE DISC

- Front Axle
- Vented

- Safety
- Performance
- OEM Standards
- AYD Quality



AYD NO  
**10-50374**

MATERIAL  
**TYPE-1**

WEIGHT  
**7,87 KG**

BALANCING  
**100 %**



OE:  
JZW615301G

**10-50374**

### Technical Specifications:

Diameter (mm)	Height (mm)	Brake Disc Thickness (mm)	Min. Thickness (mm)	Centering Diameter (mm)	Bolt Hole Circle (mm)	Num. of Holes
311.7	34.25	25	23	65	100	9+1

## SKODA

MODEL	START Y.	END Y.
SUPERB II (3T4)	2008/03	2015/05





## BRAKE DISC

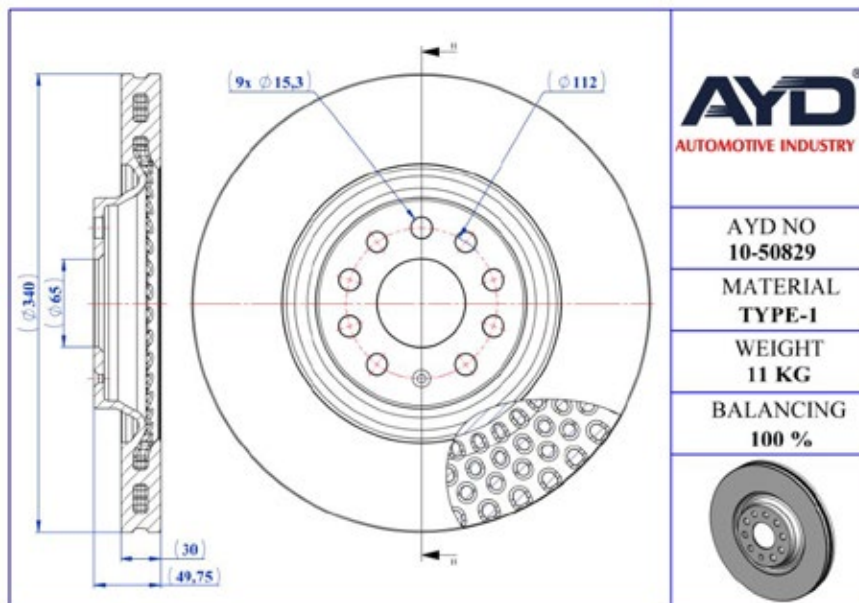
- Front Axle
- Vented

- Safety
- Performance
- OEM Standarts
- AYD Quality



OE:  
8S0615301D

**10-50829**



### Technical Specifications:

Diameter (mm)	Height (mm)	Brake Disc Thickness (mm)	Min. Thickness (mm)	Centering Diameter (mm)	Bolt Hole Circle (mm)	Num. of Holes
340	49.75	30	27	65	112	9+1

## SKODA

MODEL	START Y.	END Y.
KODIAQ (NS7, NV7, NS6)	2016/10	
OCTAVIA III (5E3, NL3, NR3)	2012/11	2021/03
OCTAVIA III Combi (5E5, 5E6)	2012/11	2020/10
SUPERB II (3T4)	2008/03	2015/05
SUPERB II Station wagon (3T5)	2009/10	2015/05
SUPERB III (3V3)	2015/03	
SUPERB III Station wagon (3V5)	2015/03	

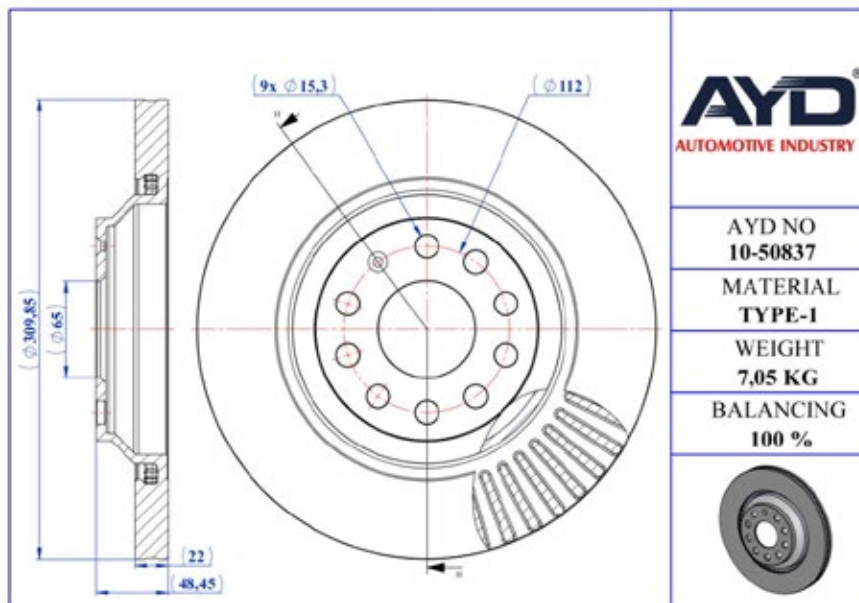
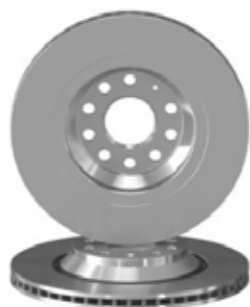


## BRAKE DISC

- Rear Axle
- Vented

- Safety
- Performance
- OEM Standards
- AYD Quality

OE:  
5QM615601A  
1K0615601N



**AYD**  
AUTOMOTIVE INDUSTRY

AYD NO  
**10-50837**

MATERIAL  
**TYPE-1**

WEIGHT  
**7,05 KG**

BALANCING  
**100 %**



**10-50837**

### Technical Specifications:

Diameter (mm)	Height (mm)	Brake Disc Thickness (mm)	Min. Thickness (mm)	Centering Diameter (mm)	Bolt Hole Circle (mm)	Num. of Holes
309.85	48.45	22	20	65	112	9+1

## SKODA

MODEL	START Y.	END Y.
KODIAQ (NS7, NV7, NS6)	2016/10	
OCTAVIA III (5E3, NL3, NR3)	2012/11	2021/03
OCTAVIA III Combi (5E5, 5E6)	2012/11	2020/10
SUPERB II (3T4)	2008/03	2015/05
SUPERB II Station wagon (3T5)	2009/10	2015/05
SUPERB III (3V3)	2015/03	
SUPERB III Station wagon (3V5)	2015/03	

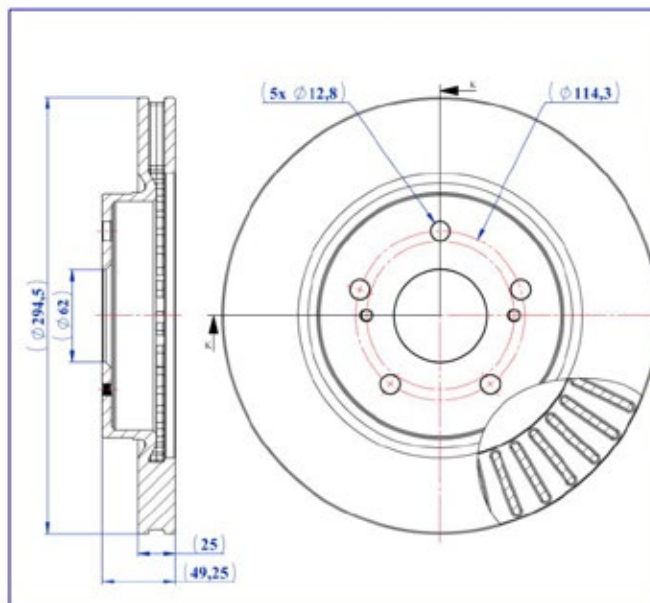
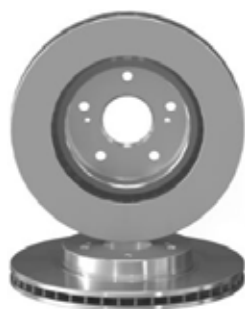


## BRAKE DISC

- Front Axle
- Vented

- Safety
- Performance
- OEM Standarts
- AYD Quality

OE:  
5521165J00  
5521165J01  
5521165J01L00



**AYD**  
AUTOMOTIVE INDUSTRY

AYD NO  
**10-50401**

MATERIAL  
**TYPE-1**

WEIGHT  
**6,66 KG**

BALANCING  
**100 %**



**10-50401**

### Technical Specifications:

Diameter (mm)	Height (mm)	Brake Disc Thickness (mm)	Min. Thickness (mm)	Centering Diameter (mm)	Bolt Hole Circle (mm)	Num. of Holes
294.5	49.25	25	23	62	114.3	5+2

## SUZUKI

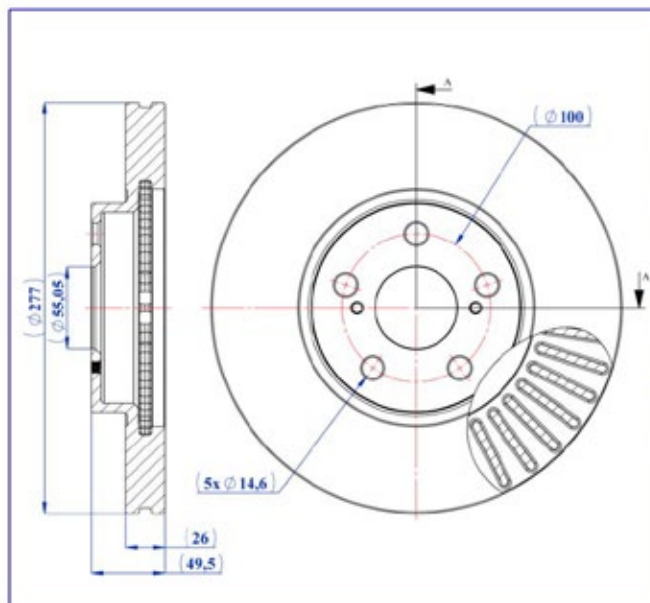
MODEL	START Y.	END Y.
GRAND VITARA II (JT, TE, TD)	2005/04	



## BRAKE DISC

- Front Axle
- Vented

- Safety
- Performance
- OEM Standards
- AYD Quality



AYD NO  
10-50377

MATERIAL  
TYPE-1

WEIGHT  
7,18 KG

BALANCING  
100 %



OE:  
4351205040

**10-50377**

### Technical Specifications:

Diameter (mm)	Height (mm)	Brake Disc Thickness (mm)	Min. Thickness (mm)	Centering Diameter (mm)	Bolt Hole Circle (mm)	Num. of Holes
277	49.5	26	24	55.05	100	5+2

## TOYOTA

MODEL	START Y.	END Y.
AVENSIS (_T25_)	2003/03	2008/11
AVENSIS Sedan (_T25_)	2003/01	2008/11
AVENSIS Station wagon (_T25_)	2003/04	2008/11



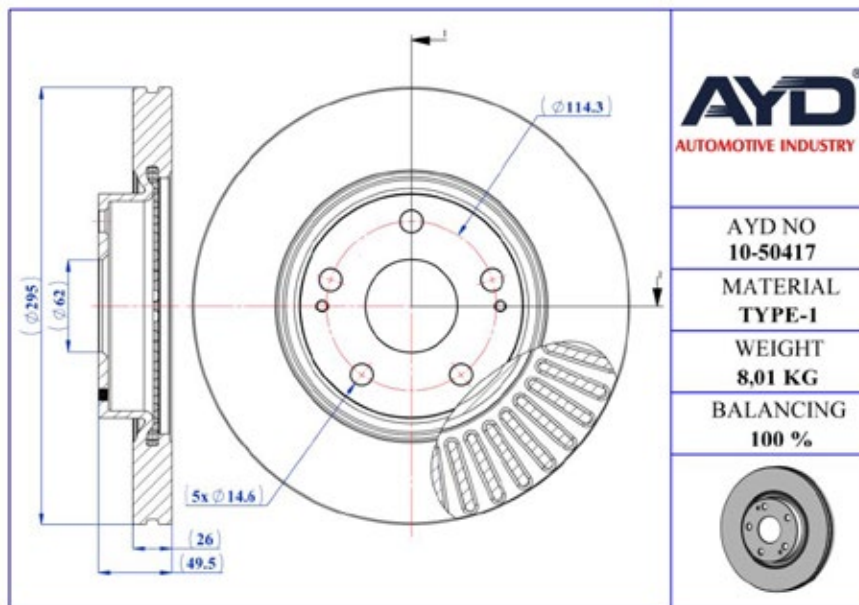
## BRAKE DISC

- Front Axle
- Vented



- Safety
- Performance
- OEM Standards
- AYD Quality

OE:  
435120F010  
4351205080  
43512YZZAA



**AYD**  
AUTOMOTIVE INDUSTRY

AYD NO  
**10-50417**

MATERIAL  
**TYPE-1**

WEIGHT  
**8,01 KG**

BALANCING  
**100 %**



**10-50417**

### Technical Specifications:

Diameter (mm)	Height (mm)	Brake Disc Thickness (mm)	Min. Thickness (mm)	Centering Diameter (mm)	Bolt Hole Circle (mm)	Num. of Holes
295	49.5	26	24	62	114.3	5+2

## TOYOTA

MODEL	START Y.	END Y.
AURIS (_E15_)	2006/10	2012/09
AVENSIS (_T25_)	2003/03	2008/11
AVENSIS Sedan (_T25_)	2003/01	2008/11
AVENSIS Station wagon (_T25_)	2003/04	2008/11
COROLLA Sedan (_E15_)	2006/10	
COROLLA Verso (_E12_)	2001/07	2007/05
COROLLA Verso (ZER_, ZZE12_, R1_)	2004/03	2009/04

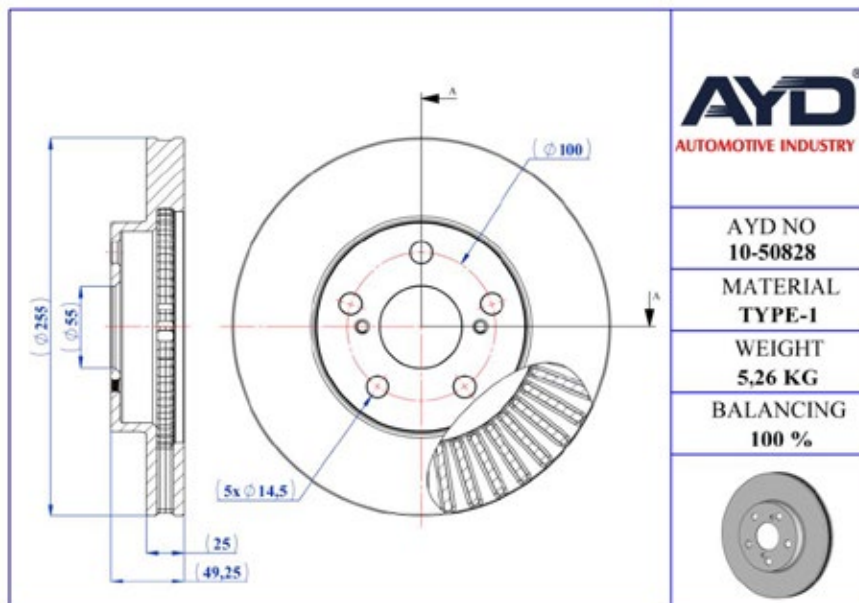


## BRAKE DISC

- Front Axle
- Vented

- Safety
- Performance
- OEM Standarts
- AYD Quality

OE:  
4351222070  
4351220480  
4351220470



**AYD**  
AUTOMOTIVE INDUSTRY

AYD NO  
**10-50828**

MATERIAL  
**TYPE-1**

WEIGHT  
**5,26 KG**

BALANCING  
**100 %**



**10-50828**

### Technical Specifications:

Diameter (mm)	Height (mm)	Brake Disc Thickness (mm)	Min. Thickness (mm)	Centering Diameter (mm)	Bolt Hole Circle (mm)	Num. of Holes
255	49.25	25	23	55	100	5+2

## TOYOTA

MODEL	START Y.	END Y.
CARINA E VI (_T19_)	1992/04	1997/09
CARINA E VI Sedan (_T19_)	1992/04	1997/09
CARINA E VI Sportswagon (_T19_)	1992/02	1997/09
CELICA Coupe (_T20_)	1993/09	1999/11

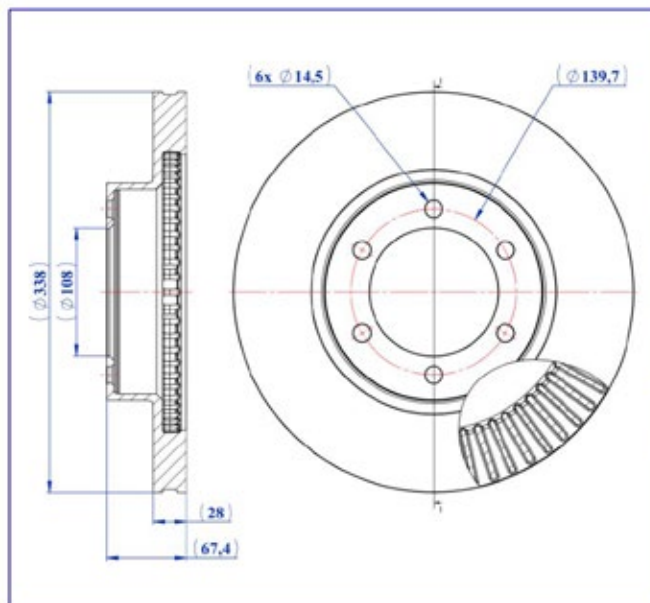


## BRAKE DISC

- Front Axle
- Vented

- Safety
- Performance
- OEM Standards
- AYD Quality

OE:  
4351260151  
4351260150



**AYD**  
AUTOMOTIVE INDUSTRY

AYD NO  
**10-50836**

MATERIAL  
**TYPE-1**

WEIGHT  
**9,20 KG**

BALANCING  
**100 %**



**10-50836**

### Technical Specifications:

Diameter (mm)	Height (mm)	Brake Disc Thickness (mm)	Min. Thickness (mm)	Centering Diameter (mm)	Bolt Hole Circle (mm)	Num. of Holes
338	67.4	28	26	108	139.7	6

## TOYOTA

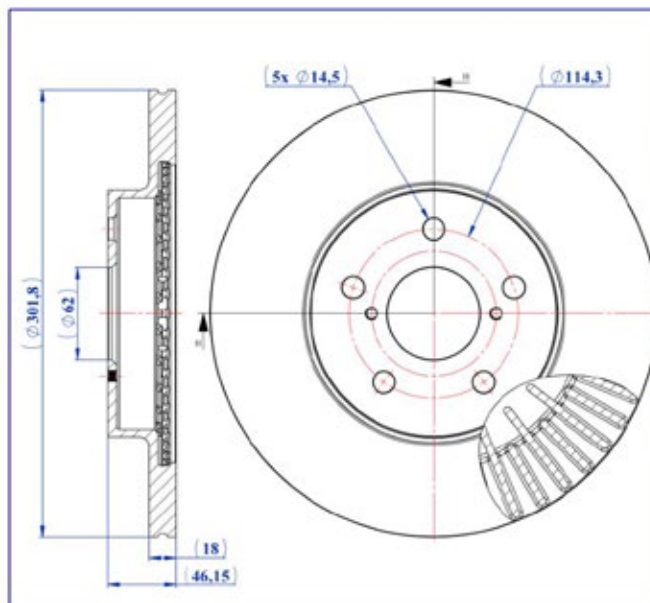
MODEL	START Y.	END Y.
4 RUNNER IV (_N21_)	2002/08	2009/12
LAND CRUISER PRADO (_J12_)	2002/09	2010/12



## BRAKE DISC

- Front Axle
- Vented

- Safety
- Performance
- OEM Standarts
- AYD Quality



AYD NO  
**10-50838**

MATERIAL  
**TYPE-1**

WEIGHT  
**5,79 KG**

BALANCING  
**100 %**



OE:  
4351242010  
4351242020

**10-50838**

### Technical Specifications:

Diameter (mm)	Height (mm)	Brake Disc Thickness (mm)	Min. Thickness (mm)	Centering Diameter (mm)	Bolt Hole Circle (mm)	Num. of Holes
301.8	46.15	18	16	62	114.3	5+2

## TOYOTA

MODEL	START Y.	END Y.
RAV 4 I (_A1_)	1994/01	2003/12
RAV 4 I Cabrio (_A1_)	1997/12	2000/06



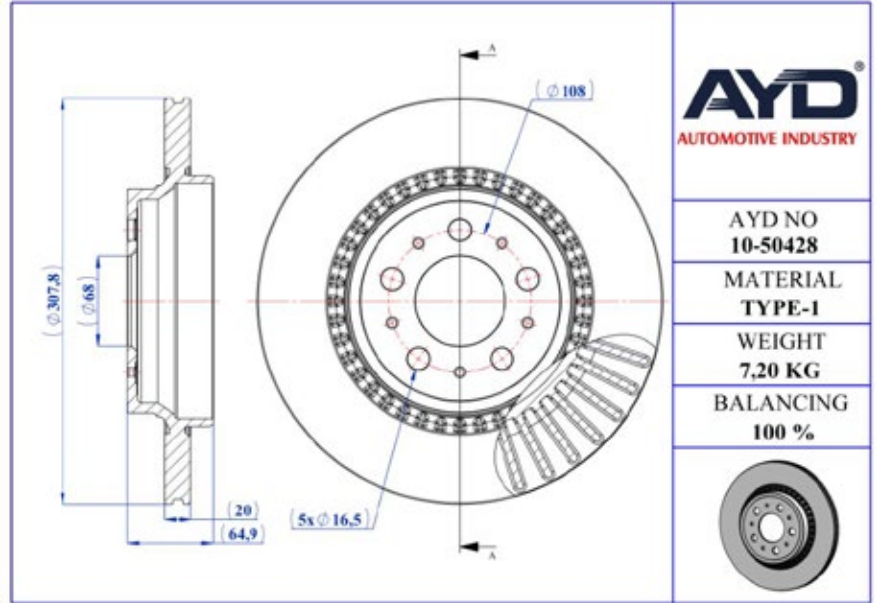


## BRAKE DISC

- Rear Axle
- Vented

- Safety
- Performance
- OEM Standarts
- AYD Quality

OE:  
8624926  
31423152  
86249265



**AYD**  
AUTOMOTIVE INDUSTRY

AYD NO  
**10-50428**

MATERIAL  
**TYPE-1**

WEIGHT  
**7,20 KG**

BALANCING  
**100 %**



**10-50428**

### Technical Specifications:

Diameter (mm)	Height (mm)	Brake Disc Thickness (mm)	Min. Thickness (mm)	Centering Diameter (mm)	Bolt Hole Circle (mm)	Num. of Holes
307.8	64.9	20	18	68	108	5+5

## VOLVO

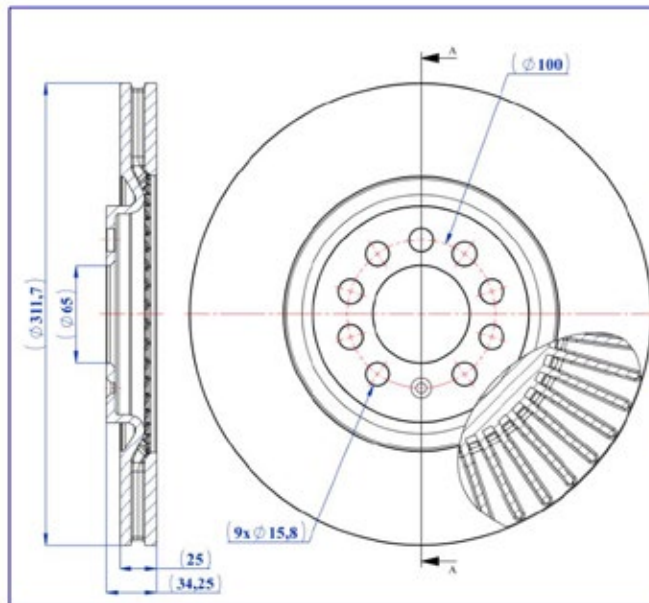
MODEL	START Y.	END Y.
XC90 I (275)	2002/06	2015/01



## BRAKE DISC

- Front Axle
- Vented

- Safety
- Performance
- OEM Standards
- AYD Quality



**AYD**  
AUTOMOTIVE INDUSTRY

AYD NO  
**10-50374**

MATERIAL  
**TYPE-1**

WEIGHT  
**7,87 KG**

BALANCING  
**100 %**



OE:  
JZW615301G

**10-50374**

### Technical Specifications:

Diameter (mm)	Height (mm)	Brake Disc Thickness (mm)	Min. Thickness (mm)	Centering Diameter (mm)	Bolt Hole Circle (mm)	Num. of Holes
311.7	34.25	25	23	65	100	9+1

## VW

MODEL	START Y.	END Y.
BORA I (1J2)	1998/10	2013/12
BORA Variant (1J6)	1999/05	2005/05
GOLF IV (1J1)	1997/08	2008/04
GOLF IV Variant (1J5)	1999/05	2006/06
NEW BEETLE (9C1, 1C1)	1998/01	2010/11

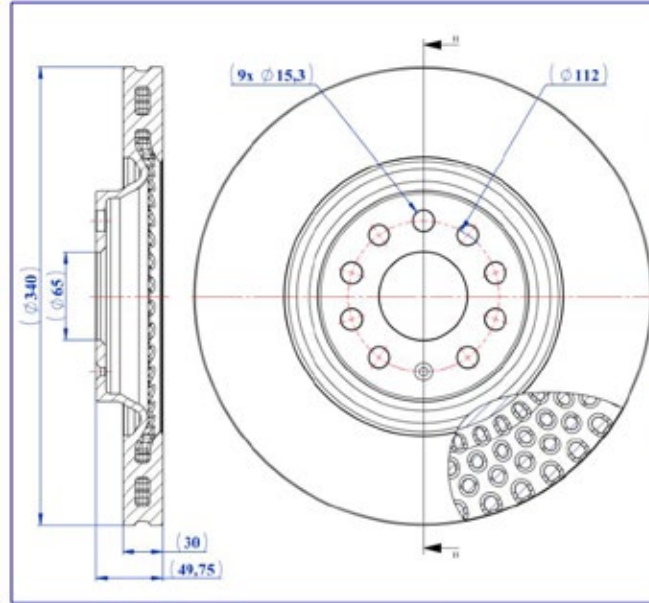


## BRAKE DISC

- Front Axle
- Vented

- Safety
- Performance
- OEM Standarts
- AYD Quality

OE:  
1K0615301AD  
5Q0615301C



**AYD**  
AUTOMOTIVE INDUSTRY

AYD NO  
**10-50829**

MATERIAL  
**TYPE-1**

WEIGHT  
**11 KG**

BALANCING  
**100 %**



**10-50829**

### Technical Specifications:

Diameter (mm)	Height (mm)	Brake Disc Thickness (mm)	Min. Thickness (mm)	Centering Diameter (mm)	Bolt Hole Circle (mm)	Num. of Holes
340	49.75	30	27	65	112	9+1

## VW

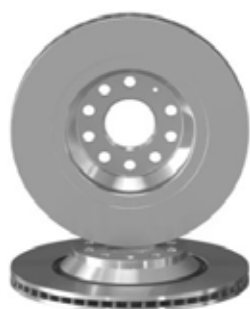
MODEL	START Y.	END Y.
ARTEON (3H7, 3H8)	2017/03	
CC B7 (358)	2011/11	2016/12
EOS (1F7, 1F8)	2006/03	2015/08
GOLF VII (5G1, BQ1, BE1, BE2)	2012/08	2021/03
GOLF VII Van (5G1)	2012/08	2017/03
GOLF VII Variant (BA5, BV5)	2013/04	
PASSAT ALLTRACK B7 (365)	2012/01	2014/12
PASSAT ALLTRACK B8 Variant (3G5, CB5)	2015/05	
PASSAT B7 van (365)	2010/08	2014/12
PASSAT B7 (362)	2010/08	2015/12
PASSAT B7 (A32, A33)	2011/01	



## BRAKE DISC

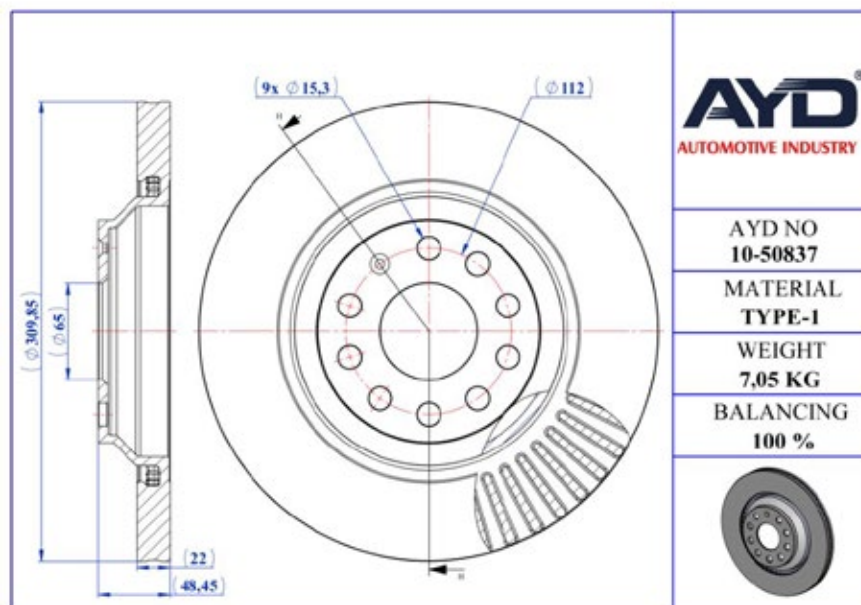
- Rear Axle
- Vented

- Safety
- Performance
- OEM Standards
- AYD Quality



OE:  
JZW698601AQ

**10-50837**



**AYD**  
AUTOMOTIVE INDUSTRY

AYD NO  
**10-50837**

MATERIAL  
**TYPE-1**

WEIGHT  
**7,05 KG**

BALANCING  
**100 %**



### Technical Specifications:

Diameter (mm)	Height (mm)	Brake Disc Thickness (mm)	Min. Thickness (mm)	Centering Diameter (mm)	Bolt Hole Circle (mm)	Num. of Holes
309.85	48.45	22	20	65	112	9+1

## VW

MODEL	START Y.	END Y.
ARTEON (3H7, 3H8)	2017/03	
CC B7 (358)	2011/11	2016/12
EOS (1F7, 1F8)	2006/03	2015/08
GOLF V (1K1)	2003/10	2010/07
GOLF VI (5K1)	2008/10	2014/12
GOLF VI Cabrio (517)	2011/03	2016/05
GOLF VI Van (5K1_)	2008/10	2012/11
GOLF VII (5G1, BQ1, BE1, BE2)	2012/08	2021/03
GOLF VII Van (5G1)	2012/08	2017/03
GOLF VII Variant (BA5, BV5)	2013/04	
PASSAT ALLTRACK B7 (365)	2012/01	2014/12

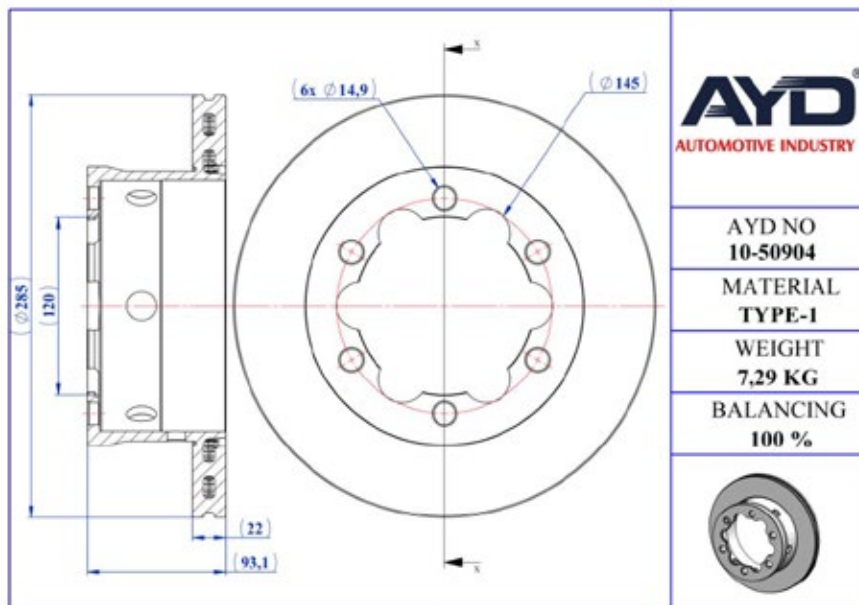


## BRAKE DISC

- Rear Axle
- Vented

- Safety
- Performance
- OEM Standarts
- AYD Quality

OE:  
2D0615601B  
2D0615601E



<b>AYD</b> AUTOMOTIVE INDUSTRY
AYD NO <b>10-50904</b>
MATERIAL <b>TYPE-1</b>
WEIGHT <b>7,29 KG</b>
BALANCING <b>100 %</b>



**10-50904**

### Technical Specifications:

Diameter (mm)	Height (mm)	Brake Disc Thickness (mm)	Min. Thickness (mm)	Centering Diameter (mm)	Bolt Hole Circle (mm)	Num. of Holes
285	93.1	22	19	120	145	6

## VW

MODEL	START Y.	END Y.
LT 28-46 II Panelvan/Van (2DA, 2DD, 2DH)	1996/04	2006/07
LT 28-46 II Platform (2DC, 2DF, 2DG, 2DL, 2DM)	1996/04	2006/07

