

new to range

SPEED TO MARKET SECOND TO NONE

AYD[®]
AUTOMOTIVE INDUSTRY



BRAKE WITH CONFIDENCE



SAFETY

PERFORMANCE

OEM Standards

AYD QUALITY

www.aydtr.com

500
Top 500 Industrial Enterprises of Turkey

TİM
TÜRKİYE'NİN İLK 1000 İHRACATÇI FİRMASI
TOP 1000 EXPORTERS OF TURKEY

MARCH 2023

INDEX

ACURA	3-4
ALFA ROMEO	5
AUDI	6
BMW	7-9
CITROEN	10
DAIHATSU	11
FIAT	12-14
FORD	15
HONDA	16-19
LANCIA	20
LEXUS	21
MAZDA	22
MERCEDES BENZ	23-24
MITSUBISHI	25
NISSAN	26-27
OPEL	28
PEUGEOT	29-30
ROVER	31
SEAT	32
SKODA	33
SUBARU	34
TOYOTA	35-37
VOLKSWAGEN	38-39

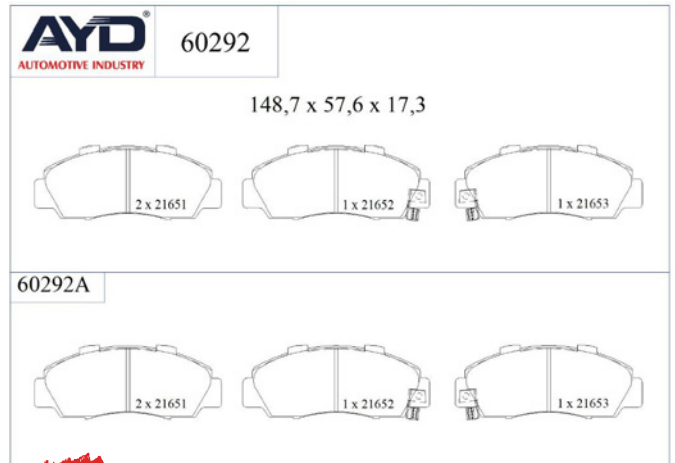
BRAKE PAD

11-60292



• Front Axle

OE:
5022SX0J03



· Safety
· Performance
· OEM Standarts
· AYD Quality

WVA :21651-21652-21653

Technical Specifications:

Code	Shim	Wear Indicator	Indicator Type	Piston Spring	Compression Spring	Rivet	Clips	Bolt	Plastic Plug	Kit
60292A	4	2	-	-	-	-	-	-	-	-

ACURA

MODEL	START D.	END Y.
NSX	1990/01	2005/12



BRAKE PAD

11-60323



• Rear Axle

OE:
43022STKA02



• Safety
• Performance
• OEM Standards
• AYD Quality

WVA :23736-23652-23653

Technical Specifications:

Code	Shim	Wear Indicator	Indicator Type	Piston Spring	Compression Spring	Rivet	Clips	Bolt	Plastic Plug	Kit
60323A	4	2	-	-	-	-	-	-	-	-

ACURA

MODEL	START D.	END Y.
RL	1995/10	2004/09



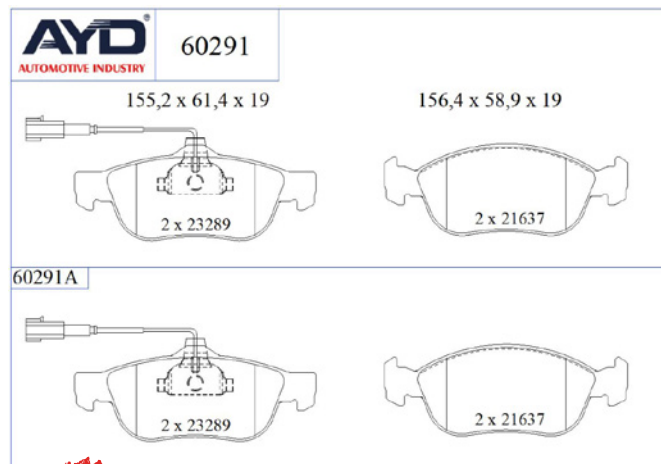
BRAKE PAD

11-60291



• Front Axle

OE:
6001073148



• Safety
• Performance
• OEM Standarts
• AYD Quality

WVA :23289-21637

Technical Specifications:

Code	Shim	Wear Indicator	Indicator Type	Piston Spring	Compression Spring	Rivet	Clips	Bolt	Plastic Plug	Kit
60291A	4	2	-	2	-	-	-	-	-	-

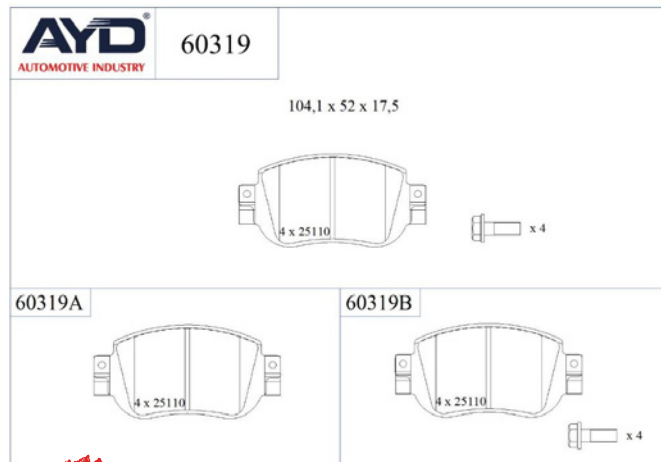
ALFA ROMEO

MODEL	START D.	END Y.
145 (930_)	1994/07	2001/01
146 (930_)	1994/12	2001/10
147 (937_)	2000/10	2010/12
155 (167_)	1992/01	1997/12
156 (932_)	1997/09	2005/10
156 Sportwagon (932_)	1997/02	2006/05
GT (937_)	2003/11	2010/09
GTV (916_)	1994/09	2005/10



BRAKE PAD

11-60319



• Rear Axle

OE:
2K5698451A
2K5698451B
5Q0698451B

• Safety
• Performance
• OEM Standards
• AYD Quality

WVA :25110

Technical Specifications:

Code	Shim	Wear Indicator	Indicator Type	Piston Spring	Compression Spring	Rivet	Clips	Bolt	Plastic Plug	Kit
60319A	4	-	-	-	8	-	-	-	-	-
60319B	4	-	-	-	8	-	-	4	-	-

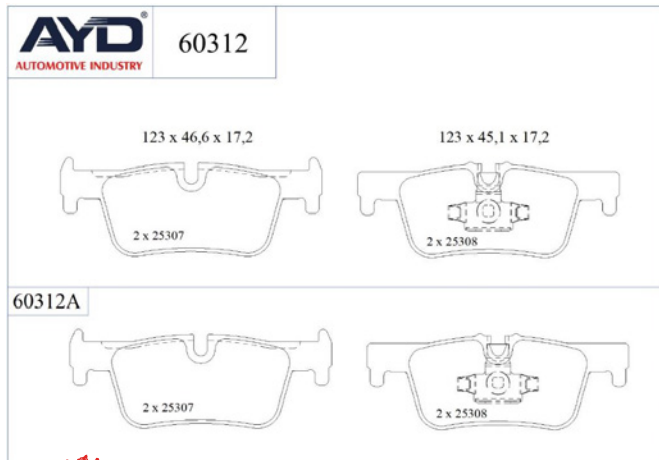
AUDI

MODEL	START D.	END Y.
A1 (8X1, 8XK)	2010/05	2018/10
A1 Sportback (8XA, 8XF)	2011/09	2018/10
A1 Sportback (GBA)	2018/07	



BRAKE PAD

11-60312



• Rear Axle

OE:
2468436
34206873093
34206873094

• Safety
• Performance
• OEM Standards
• AYD Quality

WVA :25307-25308

Technical Specifications:

Code	Shim	Wear Indicator	Indicator Type	Piston Spring	Compression Spring	Rivet	Clips	Bolt	Plastic Plug	Kit
60312A	4	-	-	2	-	-	-	-	-	-

BMW

MODEL	START D.	END Y.
1 (F20)	2011/07	2019/06
1 (F21)	2011/12	
1 Van (F20)	2015/03	2019/06
2 Cabrio (F23)	2014/03	
2 Coupe (F22, F87)	2012/10	
3 (F30, F80)	2011/11	2018/10
3 Gran Turismo (F34)	2012/07	
3 Touring (F31)	2012/07	2019/06



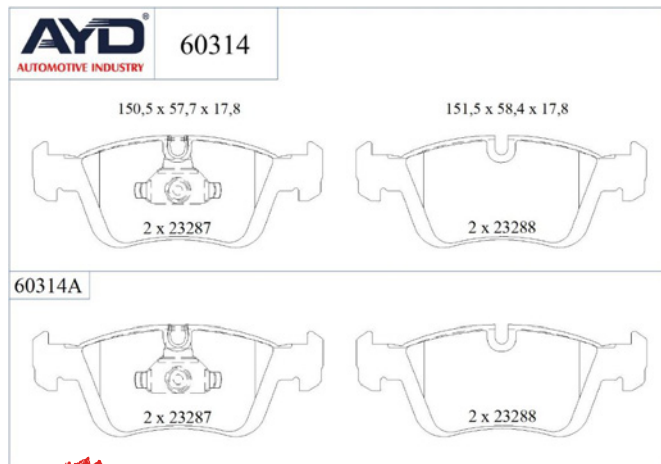
BRAKE PAD

11-60314



• Front Axle

OE:
1160356
1160357
1160532



• Safety
• Performance
• OEM Standarts
• AYD Quality

WVA :23287-23288

Technical Specifications:

Code	Shim	Wear Indicator	Indicator Type	Piston Spring	Compression Spring	Rivet	Clips	Bolt	Plastic Plug	Kit
60314A	4	-	-	2	-	-	-	-	-	-

BMW

MODEL	START D.	END Y.
3 (E36)	1990/09	1998/11
3 (E46)	1997/12	2005/05
3 Cabrio (E36)	1993/03	1999/11
3 Cabrio (E46)	2000/04	2007/12
3 Compact (E36)	1994/01	2000/08
3 Compact (E46)	2001/03	2005/02
3 Coupe (E36)	1991/10	1999/05
3 Coupe (E46)	1998/12	2006/07



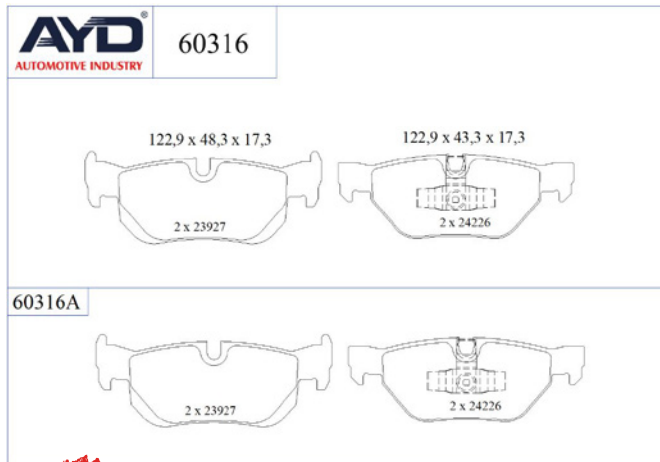
BRAKE PAD

11-60316



• Rear Axle

OE:
2288891



• Safety
• Performance
• OEM Standarts
• AYD Quality

WVA :23927-24226

Technical Specifications:

Code	Shim	Wear Indicator	Indicator Type	Piston Spring	Compression Spring	Rivet	Clips	Bolt	Plastic Plug	Kit
60316A	4	-	-	2	-	-	-	-	-	-

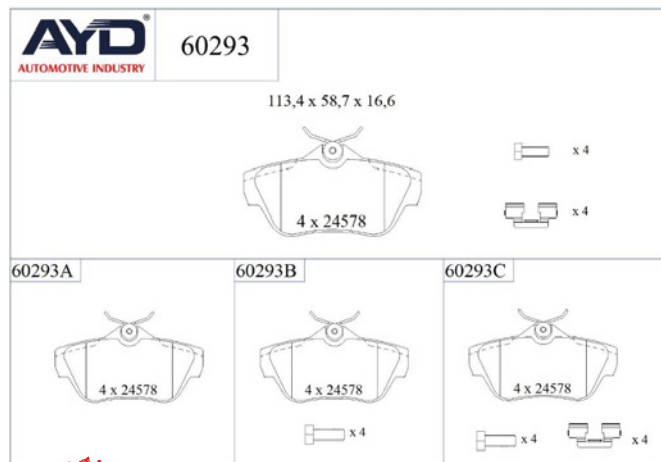
BMW

MODEL	START D.	END Y.
1 (E81)	2006/09	2012/09
1 (E87)	2003/02	2013/01
1 Cabrio (E88)	2007/12	2013/12
1 Coupe (E82)	2006/10	2013/10
3 (E90)	2004/02	2012/02
3 Cabrio (E93)	2006/05	2013/12
3 Coupe (E92)	2005/01	2013/12
3 Touring (E91)	2004/12	2012/12



BRAKE PAD

11-60293



• Rear Axle

OE:
1611839580
425367

• Safety
• Performance
• OEM Standarts
• AYD Quality

WVA :24578

Technical Specifications:

Code	Shim	Wear Indicator	Indicator Type	Piston Spring	Compression Spring	Rivet	Clips	Bolt	Plastic Plug	Kit
60293A	4	-	-	-	4	-	-	-	-	-
60293C	4	-	-	-	4	-	4	4	-	-
60293B	4	-	-	-	4	-	-	4	-	-

CITROËN

MODEL	START D.	END Y.
JUMPY (VF7)	2007/01	2016/03
JUMPY Panelvan/Van	2007/01	2016/03
JUMPY Platform	2006/11	



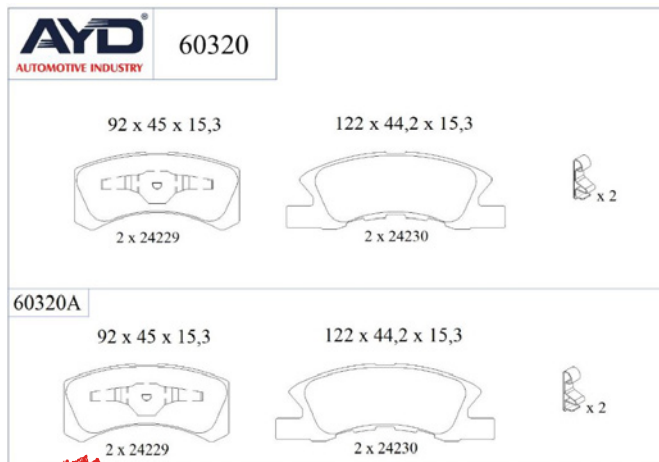
BRAKE PAD

11-60320



• Front Axle

OE:
04465B2010
04465B2030
04465B2040



• Safety
• Performance
• OEM Standards
• AYD Quality

WVA :24229-24230

Technical Specifications:

Code	Shim	Wear Indicator	Indicator Type	Piston Spring	Compression Spring	Rivet	Clips	Bolt	Plastic Plug	Kit
60320A	4	2	-	2	-	-	-	-	-	-

DAIHATSU

MODEL	START D.	END Y.
CUORE VI (L251, L250_, L260_)	2003/03	
CUORE VII (L275_, L285_, L276_)	2006/12	
TREVIS	2006/06	



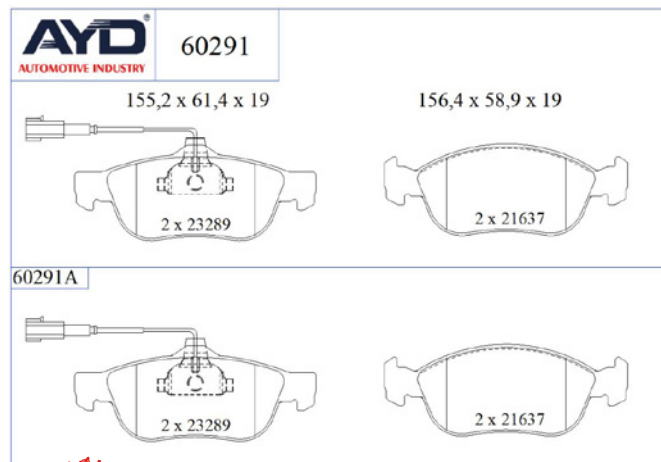
BRAKE PAD

11-60291



• Front Axle

OE:
71752295



· Safety
· Performance
· OEM Standarts
· AYD Quality

WVA :23289-21637

Technical Specifications:

Code	Shim	Wear Indicator	Indicator Type	Piston Spring	Compression Spring	Rivet	Clips	Bolt	Plastic Plug	Kit
60291A	4	2	-	2	-	-	-	-	-	-

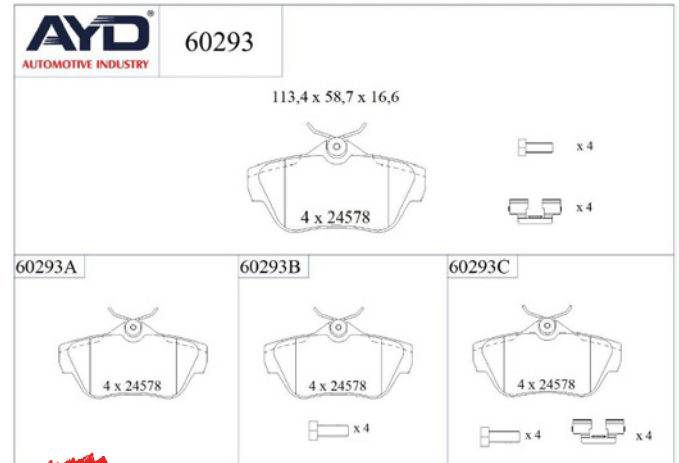
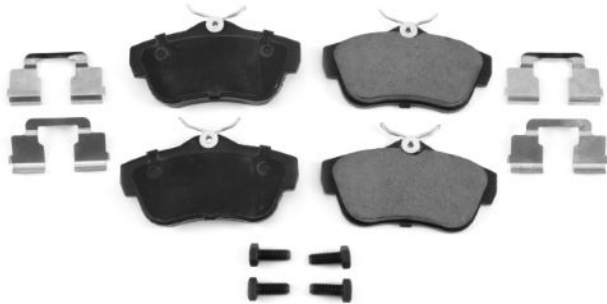
FIAT

MODEL	START D.	END Y.
BRAVO I (182_)	1995/10	2001/10
COUPE (175_)	1993/11	2000/08
MAREA (185_)	1996/05	2007/12
MAREA Weekend (185_)	1996/09	2007/12
MULTIPLA (186_)	1999/04	2010/06
PUNTO (188_)	1999/09	2012/07



BRAKE PAD

11-60293



• Rear Axle

OE:
77364513
9467549087

• Safety
• Performance
• OEM Standards
• AYD Quality

WVA :24578

Technical Specifications:

Code	Shim	Wear Indicator	Indicator Type	Piston Spring	Compression Spring	Rivet	Clips	Bolt	Plastic Plug	Kit
60293A	4	-	-	-	4	-	-	-	-	-
60293C	4	-	-	-	4	-	4	4	-	-
60293B	4	-	-	-	4	-	-	4	-	-

FIAT

MODEL	START D.	END Y.
SCUDO Minibus/Bus (270_, 272_)	2007/01	2016/03
SCUDO Panelvan/Van (270_, 272_)	2007/01	2016/03
SCUDO Platform (270_, 272_)	2007/01	2016/03



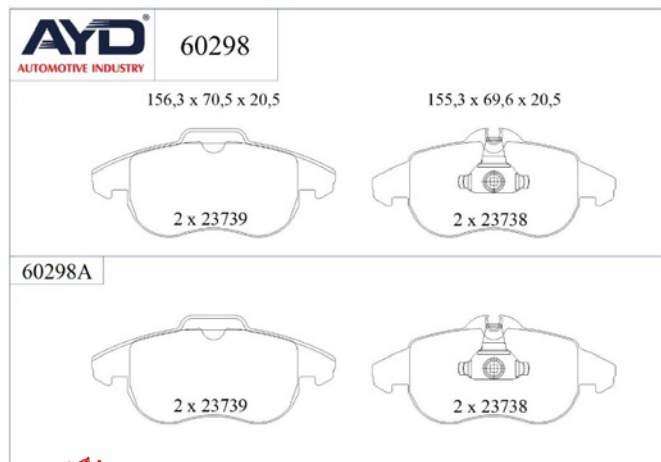
BRAKE PAD

11-60298



• Front Axle

OE:
71772211
77364224



• Safety
• Performance
• OEM Standarts
• AYD Quality

WVA :23738-23739

Technical Specifications:

Code	Shim	Wear Indicator	Indicator Type	Piston Spring	Compression Spring	Rivet	Clips	Bolt	Plastic Plug	Kit
60298A	4	-	-	2	-	-	-	-	-	-

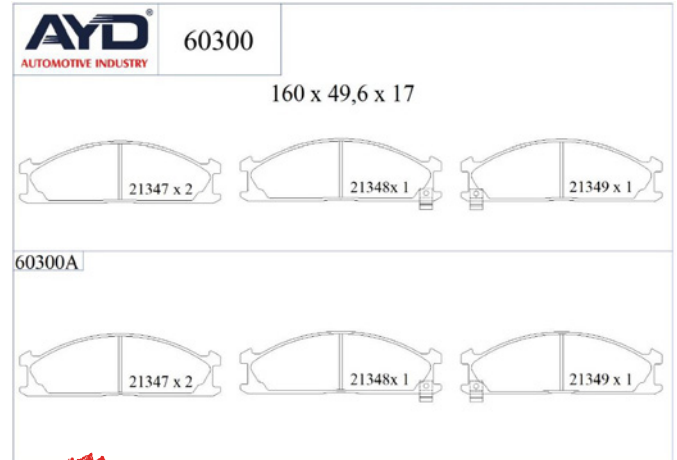
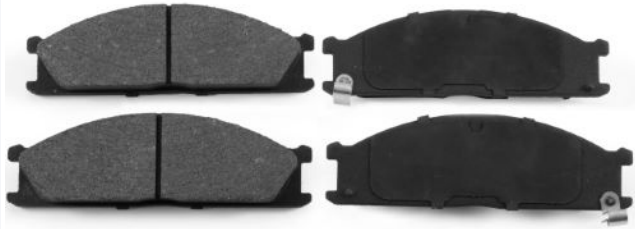
FIAT

MODEL	START D.	END Y.
CROMA van (194_)	2006/04	2011/12
CROMA (194_)	2005/06	2011/12



BRAKE PAD

11-60300



• Front Axle

OE:
26296AA051

· Safety
· Performance
· OEM Standarts
· AYD Quality

WVA :21347-21348-21349

Technical Specifications:

Code	Shim	Wear Indicator	Indicator Type	Piston Spring	Compression Spring	Rivet	Clips	Bolt	Plastic Plug	Kit
60300A	4	2	-	-	-	-	-	-	-	-

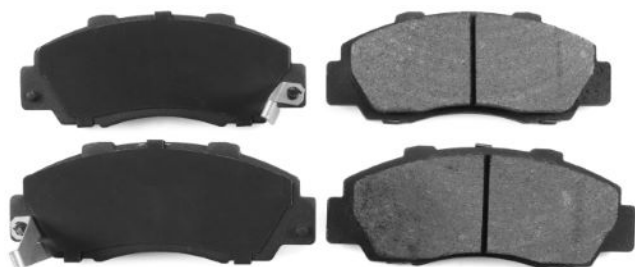
FORD

MODEL	START D.	END Y.
MAVERICK (UDS, UNS)	1993/02	1998/04
MAVERICK VAN	1996/06	1998/04



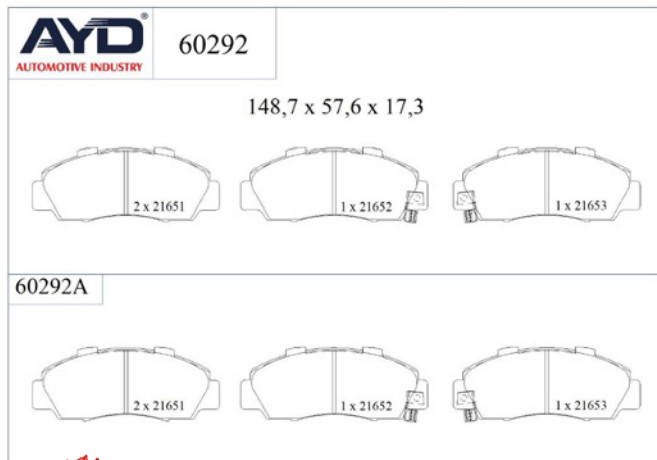
BRAKE PAD

11-60292



• Front Axle

OE:
06450S0AJ00



• Safety
• Performance
• OEM Standarts
• AYD Quality

WVA :21651-21652-21653

Technical Specifications:

Code	Shim	Wear Indicator	Indicator Type	Piston Spring	Compression Spring	Rivet	Clips	Bolt	Plastic Plug	Kit
60292A	4	2	-	-	-	-	-	-	-	-

HONDA

MODEL	START D.	END Y.
ACCORD IV Aerodeck (CB)	1989/09	1994/02
ACCORD IV Coupe (CB, CC)	1989/05	1993/12
ACCORD V (CC, CD)	1992/06	1997/12
ACCORD V (CE, CF_, CD)	1995/09	1998/10
ACCORD V Aerodeck (CE)	1993/04	1998/02
ACCORD V Coupe (CD)	1993/04	1998/12
ACCORD VI Aerodeck (CF)	1997/07	2005/09
ACCORD VI Coupe (CG)	1997/12	2003/06



BRAKE PAD

11-60296

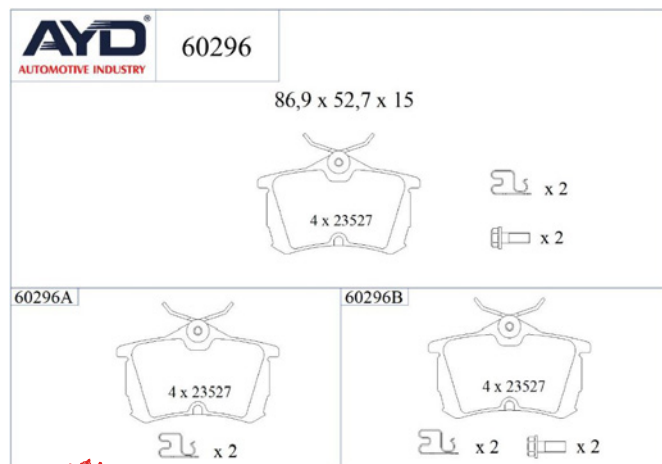


• Rear Axle

OE:
43022S1AE02
43022S1AE03
43022S1AE30

• Safety
• Performance
• OEM Standards
• AYD Quality

WVA :23527



Technical Specifications:

Code	Shim	Wear Indicator	Indicator Type	Piston Spring	Compression Spring	Rivet	Clips	Bolt	Plastic Plug	Kit
60296A	4	2	-	-	4	-	-	-	-	-
60296B	4	2	-	-	4	-	-	2	-	-

HONDA

MODEL	START D.	END Y.
ACCORD VI (CK, CG, CH, CF)	1997/03	2003/12
ACCORD VI Aerodeck (CF)	1997/07	2005/09
ACCORD VI Hatchback (CH, CL)	1999/12	2002/12
ACCORD VII (CL, CN)	2003/01	2012/09
ACCORD VII (CM)	2002/09	2008/05
ACCORD VII Tourer (CM, CN)	2003/04	2008/05



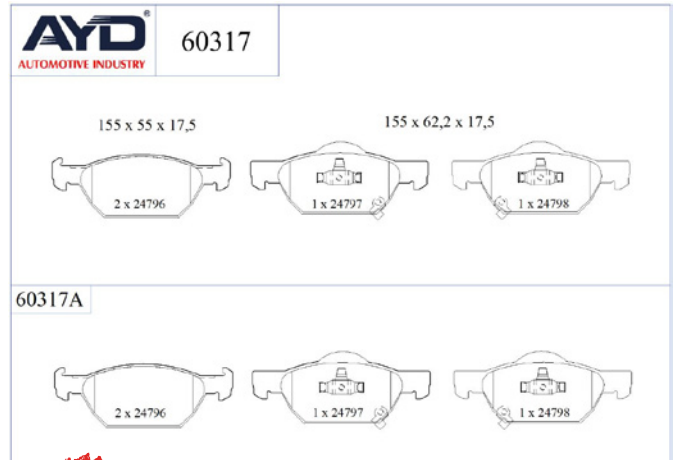
BRAKE PAD

11-60317



• Front Axle

OE:
45022TL1G00
45022TL1G01



· Safety
· Performance
· OEM Standarts
· AYD Quality

WVA :24796-24797-24798

Technical Specifications:

Code	Shim	Wear Indicator	Indicator Type	Piston Spring	Compression Spring	Rivet	Clips	Bolt	Plastic Plug	Kit
60317A	4	2	-	2	-	-	-	-	-	-

HONDA

MODEL	START D.	END Y.
ACCORD VIII (CP)	2007/09	
ACCORD VIII (CU)	2008/04	
ACCORD VIII Station wagon (CW)	2008/07	



BRAKE PAD

11-60323



• Rear Axle

OE:
06430S6D000



• Safety
• Performance
• OEM Standarts
• AYD Quality

WVA :23736-23652-23653

Technical Specifications:

Code	Shim	Wear Indicator	Indicator Type	Piston Spring	Compression Spring	Rivet	Clips	Bolt	Plastic Plug	Kit
60323A	4	2	-	-	-	-	-	-	-	-

HONDA

MODEL	START D.	END Y.
ACCORD VII (CL, CN)	2003/01	2012/09
ACCORD VII (CM)	2002/09	2008/05
ACCORD VII Tourer (CM, CN)	2003/04	2008/05
CIVIC VII Coupe (EM2)	2001/02	2005/12
CIVIC VII Hatchback (EU, EP, EV)	2000/01	2006/02
CIVIC VII Sedan (ES, ET)	2000/10	2006/04
CIVIC VIII Sedan (FD, FA)	2005/09	
CR-V II (RD_)	2001/09	2007/07



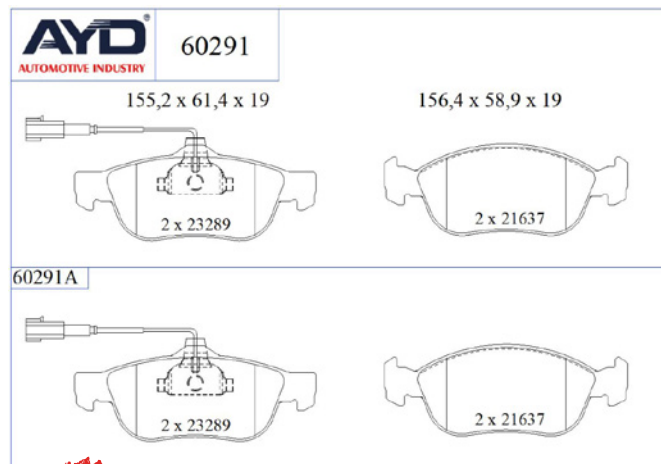
BRAKE PAD

11-60291



• Front Axle

OE:
9951217



• Safety
• Performance
• OEM Standarts
• AYD Quality

WVA :23289-21637

Technical Specifications:

Code	Shim	Wear Indicator	Indicator Type	Piston Spring	Compression Spring	Rivet	Clips	Bolt	Plastic Plug	Kit
60291A	4	2	-	2	-	-	-	-	-	-

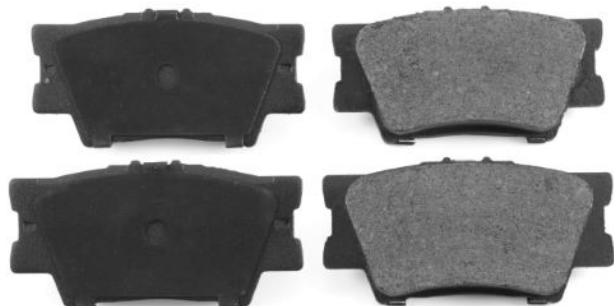
LANCIA

MODEL	START D.	END Y.
DEDRA (835_)	1989/01	1999/07
DEDRA SW (835_)	1994/07	1999/07
DELTA II (836_)	1993/06	1999/09
KAPPA (838_)	1994/08	2001/10
KAPPA Coupe (838_)	1996/07	2001/03
KAPPA SW (838_)	1996/07	2001/10
LYBRA (839_)	1999/07	2005/10
LYBRA SW (839_)	1999/07	2005/10



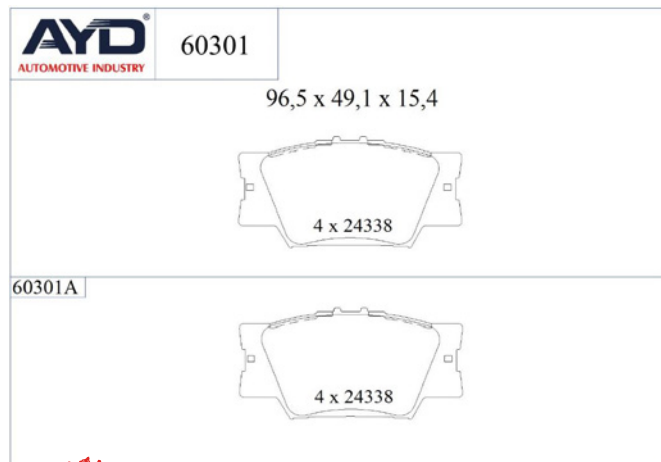
BRAKE PAD

11-60301



• Rear Axle

OE:
0446675010



• Safety
• Performance
• OEM Standarts
• AYD Quality

WVA :24338

Technical Specifications:

Code	Shim	Wear Indicator	Indicator Type	Piston Spring	Compression Spring	Rivet	Clips	Bolt	Plastic Plug	Kit
60301A	4	-	-	-	-	-	-	-	-	-

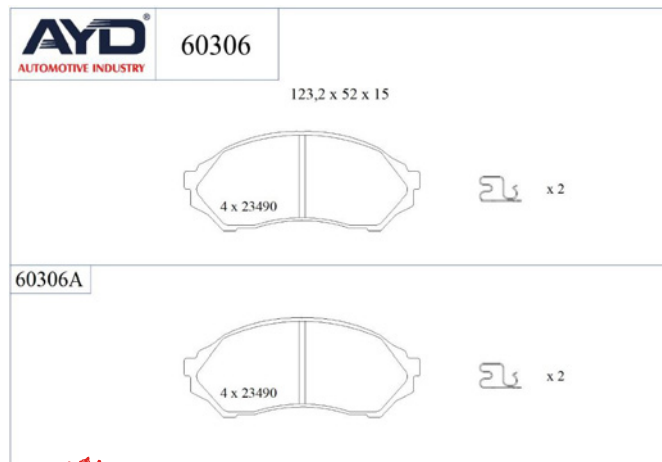
LEXUS

MODEL	START D.	END Y.
ES (_V4_)	2006/03	2012/12
ES (_V6_)	2012/06	2018/06
ES (_Z10_, _A10_, _H10_)	2018/07	
HS (ANF10)	2009/07	2018/01



BRAKE PAD

11-60306



• Front Axle

OE:
1U1H3328Z

- Safety
- Performance
- OEM Standards
- AYD Quality

WVA :23490

Technical Specifications:

Code	Shim	Wear Indicator	Indicator Type	Piston Spring	Compression Spring	Rivet	Clips	Bolt	Plastic Plug	Kit
60306A	4	2	-	-	-	-	-	-	-	-

MAZDA

MODEL	START D.	END Y.
323 F VI (BJ)	1998/09	2004/05
323 S VI (BJ)	1998/05	2004/05



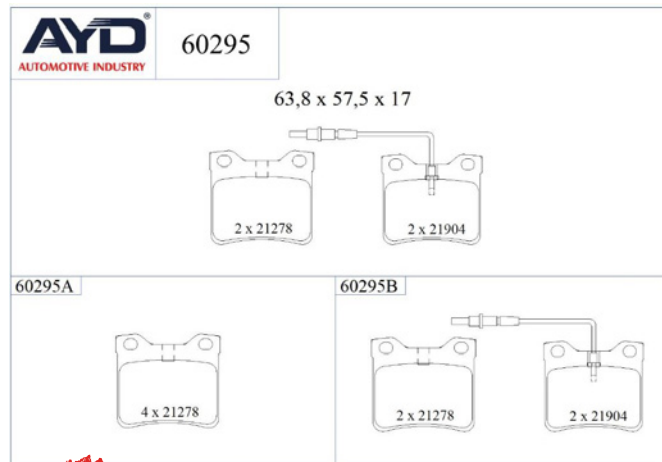
BRAKE PAD

11-60295



• Rear Axle

OE:
0034200020
6384230110
0024204820



• Safety
• Performance
• OEM Standards
• AYD Quality

WVA :21278-21279

Technical Specifications:

Code	Shim	Wear Indicator	Indicator Type	Piston Spring	Compression Spring	Rivet	Clips	Bolt	Plastic Plug	Kit
60295A	4	-	-	-	-	-	-	-	-	-
60295B	4	2	-	-	-	-	-	-	-	-

MERCEDES-BENZ

MODEL	START D.	END Y.
VITO Minibus/Bus (W638)	1996/02	2003/07
VITO Panelvan/Van (W638)	1997/03	2003/07



BRAKE PAD

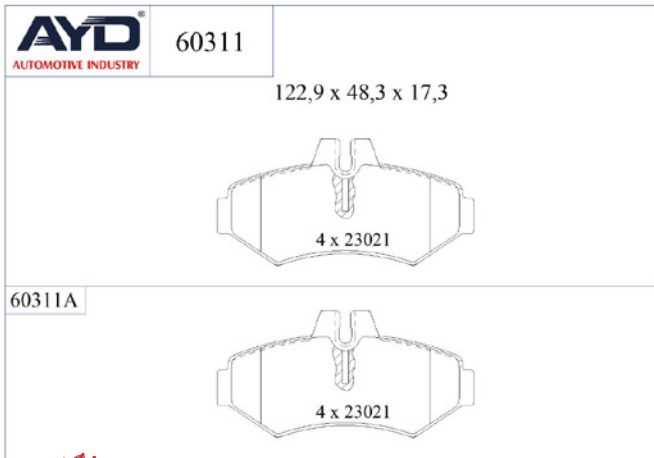
11-60311



• Rear Axle

OE:

0004209720-M
4209720



• Safety
• Performance
• OEM Standards
• AYD Quality

WVA :23021

Technical Specifications:

Code	Shim	Wear Indicator	Indicator Type	Piston Spring	Compression Spring	Rivet	Clips	Bolt	Plastic Plug	Kit
60311A	4	-	-	-	-	-	-	-	-	-

MERCEDES-BENZ

MODEL	START D.	END Y.
G-SERISI (W461)	1989/09	
G-SERISI (W463)	1989/09	
G-SERISI Cabrio (W463)	1989/09	
SPRINTER 2-t Minibus/Bus (B901, B902)	1995/01	2006/05
SPRINTER 2-t Panelvan/Van (B901, B902)	1995/01	2006/05
SPRINTER 2-t Platform (B901, B902)	1995/01	2006/05
SPRINTER 3-t Minibus/Bus (B903)	1995/01	2012/05
SPRINTER 3-t Panelvan/Van (B903)	1995/01	2012/05



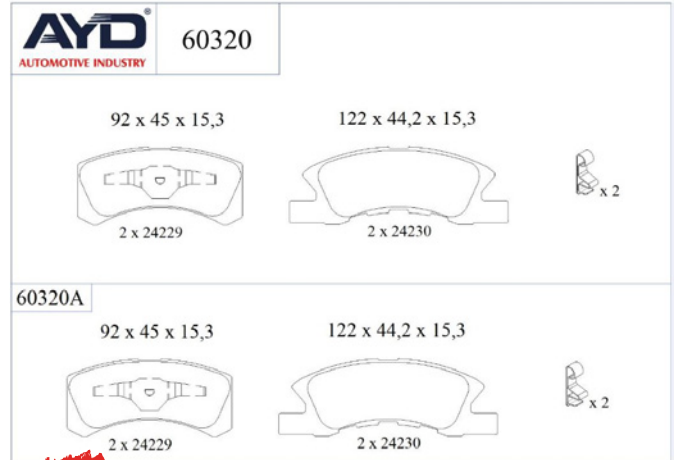
BRAKE PAD

11-60320



• Front Axle

OE:
04465B2010
4605A272
4605B005



• Safety
• Performance
• OEM Standards
• AYD Quality

WVA :24229-24230

Technical Specifications:

Code	Shim	Wear Indicator	Indicator Type	Piston Spring	Compression Spring	Rivet	Clips	Bolt	Plastic Plug	Kit
60320A	4	2	-	2	-	-	-	-	-	-

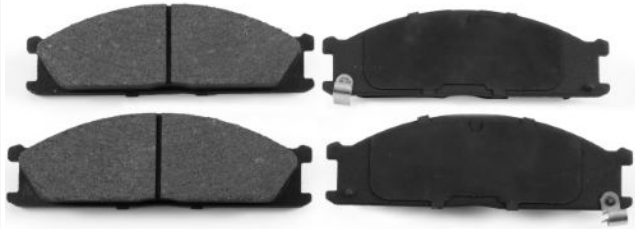
MITSUBISHI

MODEL	START D.	END Y.
MIRAGE / SPACE STAR VI Hatchback (A0_A)	2012/01	
MIRAGE VI Sedan (A1_A)	2013/07	



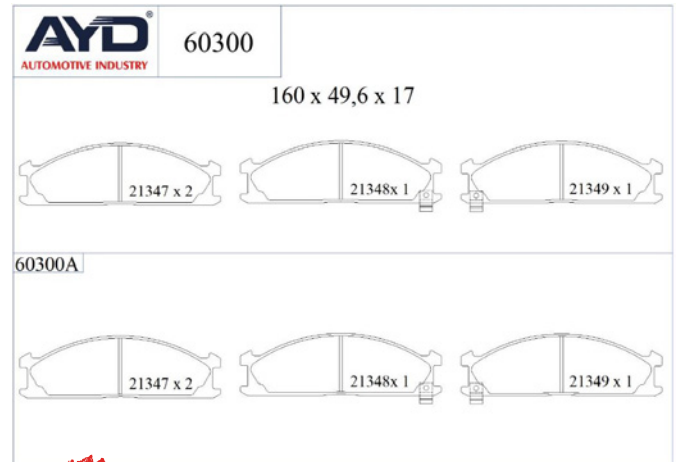
BRAKE PAD

11-60300



• Front Axle

OE:
4100010G08



- Safety
- Performance
- OEM Standarts
- AYD Quality

WVA :21347-21348-21349

Technical Specifications:

Code	Shim	Wear Indicator	Indicator Type	Piston Spring	Compression Spring	Rivet	Clips	Bolt	Plastic Plug	Kit
60300A	4	2	-	-	-	-	-	-	-	-

NISSAN

MODEL	START D.	END Y.
NAVARA (D22)	1997/01	
NAVARA Platform (D22)	1997/03	
NP300 NAVARA Platform (D40)	2008/07	
NP300 PICKUP (D22)	2008/04	
PATHFINDER I (WD21)	1986/07	1995/10
PICK UP (D21)	1985/09	2008/12
PICK UP (D22)	1997/01	
TERRANO I (WD21)	1986/07	1996/02



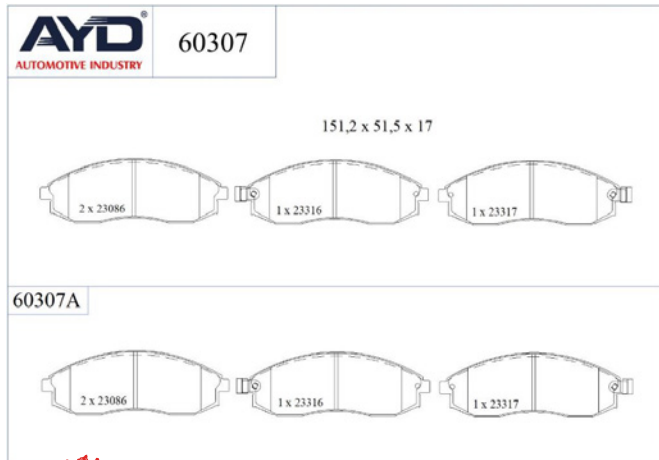
BRAKE PAD

11-60307



• Front Axle

OE:
4106038U90



WVA :23086

· Safety
· Performance
· OEM Standarts
· AYD Quality

Technical Specifications:

Code	Shim	Wear Indicator	Indicator Type	Piston Spring	Compression Spring	Rivet	Clips	Bolt	Plastic Plug	Kit
60307A	4	2	-	-	-	-	-	-	-	-

NISSAN

MODEL	START D.	END Y.
MAXIMA / MAXIMA QX IV (A32)	1994/03	2000/08
MAXIMA / MAXIMA QX IV Station Wagon (A32)	1997/10	2000/12



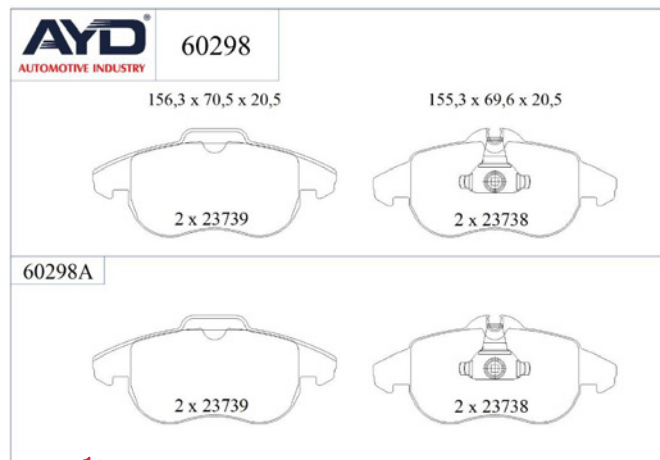
BRAKE PAD

11-60298



• Front Axle

OE:
12803551
1605088
1605098



• Safety
• Performance
• OEM Standarts
• AYD Quality

WVA :23738-23739

Technical Specifications:

Code	Shim	Wear Indicator	Indicator Type	Piston Spring	Compression Spring	Rivet	Clips	Bolt	Plastic Plug	Kit
60298A	4	-	-	2	-	-	-	-	-	-

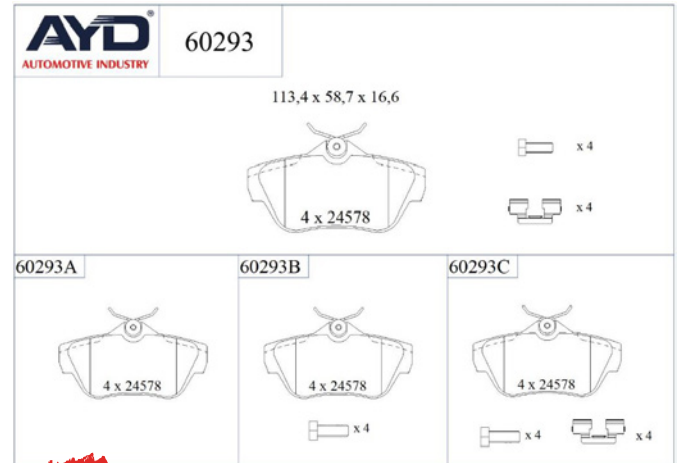
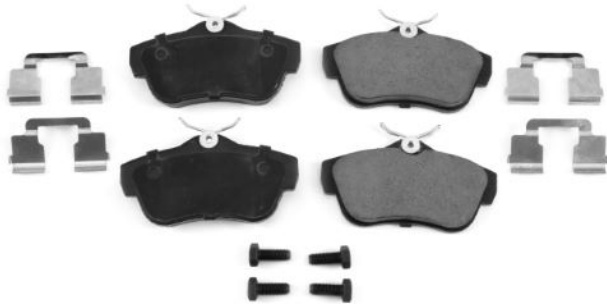
OPEL

MODEL	START D.	END Y.
ASTRA H (A04)	2004/01	2014/05
ASTRA H GTC (A04)	2005/03	2010/10
ASTRA H TwinTop (A04)	2005/09	2010/10
VECTRA C (Z02)	2002/04	2009/01
VECTRA C GTS (Z02)	2002/08	2009/01
VECTRA C Station wagon (Z02)	2003/10	2009/01
ZAFIRA / ZAFIRA FAMILY B (A05)	2005/07	2019/05



BRAKE PAD

11-60293



• Rear Axle

OE:
1617280980
1611839580

• Safety
• Performance
• OEM Standarts
• AYD Quality

WVA :24578

Technical Specifications:

Code	Shim	Wear Indicator	Indicator Type	Piston Spring	Compression Spring	Rivet	Clips	Bolt	Plastic Plug	Kit
60293A	4	-	-	-	4	-	-	-	-	-
60293C	4	-	-	-	4	-	4	4	-	-
60293B	4	-	-	-	4	-	-	4	-	-

PEUGEOT

MODEL	START D.	END Y.
EXPERT Panelvan/Van (VF3A_, VF3U_, VF3X_)	2007/01	
EXPERT Platform	2007/01	
EXPERT TEPEE (VF3X_)	2007/01	
PARTNER Platform (5_, G_)	1997/03	2008/07



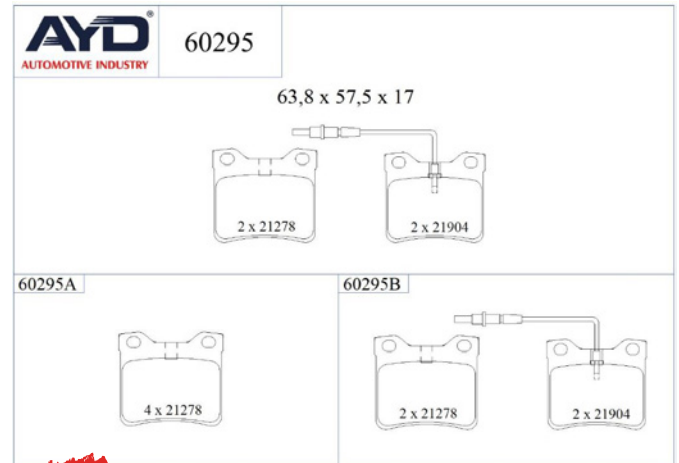
BRAKE PAD

11-60295



• Rear Axle

OE:
1611456880



• Safety
• Performance
• OEM Standards
• AYD Quality

WVA :21278-21279

Technical Specifications:

Code	Shim	Wear Indicator	Indicator Type	Piston Spring	Compression Spring	Rivet	Clips	Bolt	Plastic Plug	Kit
60295A	4	-	-	-	-	-	-	-	-	-
60295B	4	2	-	-	-	-	-	-	-	-

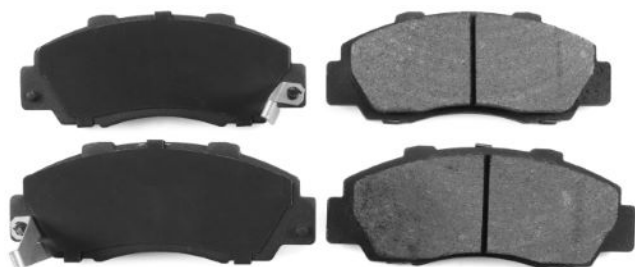
PEUGEOT

MODEL	START D.	END Y.
406 Coupe (8C)	1997/03	2005/02
605 (6B)	1989/06	1999/09



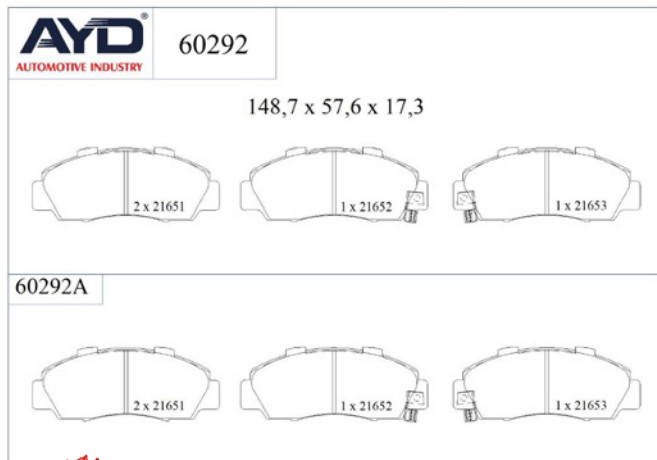
BRAKE PAD

11-60292



• Front Axle

OE:
GBP90329



· Safety
· Performance
· OEM Standarts
· AYD Quality

WVA :21651-21652-21653

Technical Specifications:

Code	Shim	Wear Indicator	Indicator Type	Piston Spring	Compression Spring	Rivet	Clips	Bolt	Plastic Plug	Kit
60292A	4	2	-	-	-	-	-	-	-	-

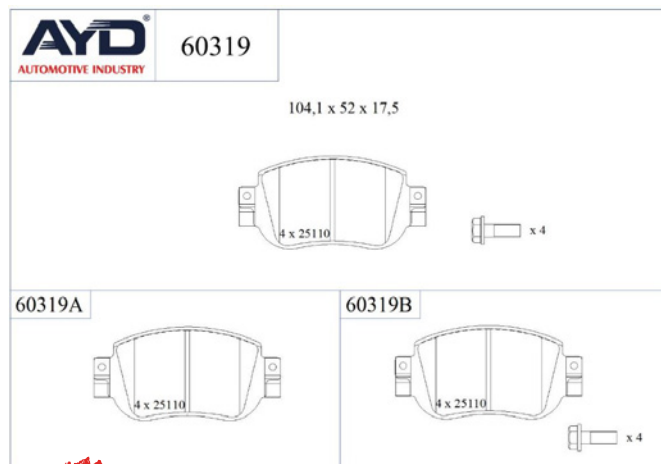
ROVER

MODEL	START D.	END Y.
600 I (RH)	1993/08	2000/10



BRAKE PAD

11-60319



• Rear Axle

OE:
2K5698451A
2K5698451B
5Q0698451B

• Safety
• Performance
• OEM Standarts
• AYD Quality

Technical Specifications:

Code	Shim	Wear Indicator	Indicator Type	Piston Spring	Compression Spring	Rivet	Clips	Bolt	Plastic Plug	Kit
60319A	4	-	-	-	8	-	-	-	-	-
60319B	4	-	-	-	8	-	-	4	-	-

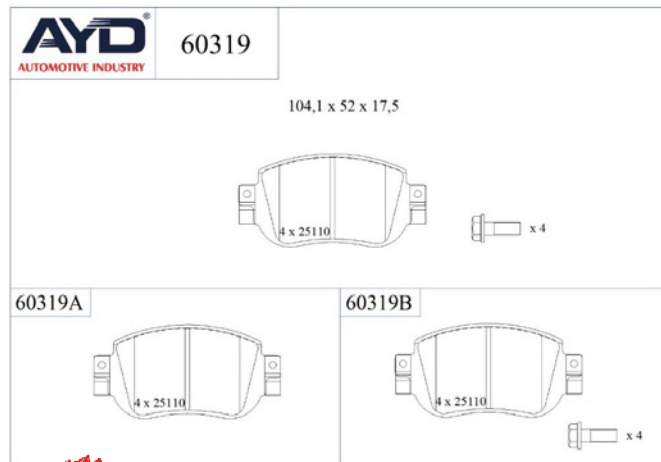
SEAT

MODEL	START D.	END Y.
LEON (5F1)	2012/09	2021/05
LEON Hatchback (5F1)	2012/09	2020/08
LEON SC (5F5)	2013/01	2018/12
LEON ST van (5F8)	2013/01	2020/08
LEON ST (5F8)	2012/09	2020/08



BRAKE PAD

11-60319



• Rear Axle

OE:
2K5698451A
2K5698451B
5Q0698451B

• Safety
• Performance
• OEM Standarts
• AYD Quality

WVA :25110

Technical Specifications:

Code	Shim	Wear Indicator	Indicator Type	Piston Spring	Compression Spring	Rivet	Clips	Bolt	Plastic Plug	Kit
60319A	4	-	-	-	8	-	-	-	-	-
60319B	4	-	-	-	8	-	-	4	-	-

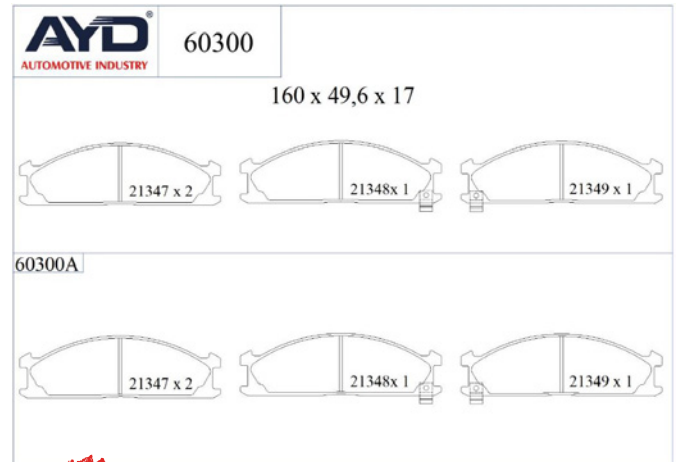
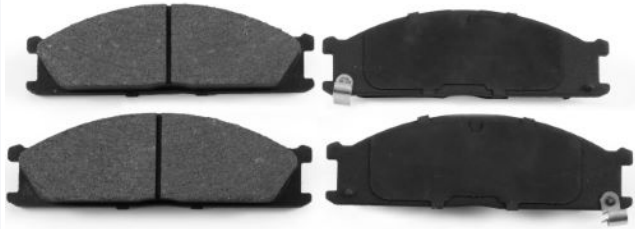
SKODA

MODEL	START D.	END Y.
OCTAVIA III (5E3, NL3, NR3)	2012/11	2021/03
OCTAVIA III Combi (5E5, 5E6)	2012/11	2020/10



BRAKE PAD

11-60300



• Front Axle

OE:
26296AA050

- Safety
- Performance
- OEM Standarts
- AYD Quality

WVA :21347-21348-21349

Technical Specifications:

Code	Shim	Wear Indicator	Indicator Type	Piston Spring	Compression Spring	Rivet	Clips	Bolt	Plastic Plug	Kit
60300A	4	2	-	-	-	-	-	-	-	-

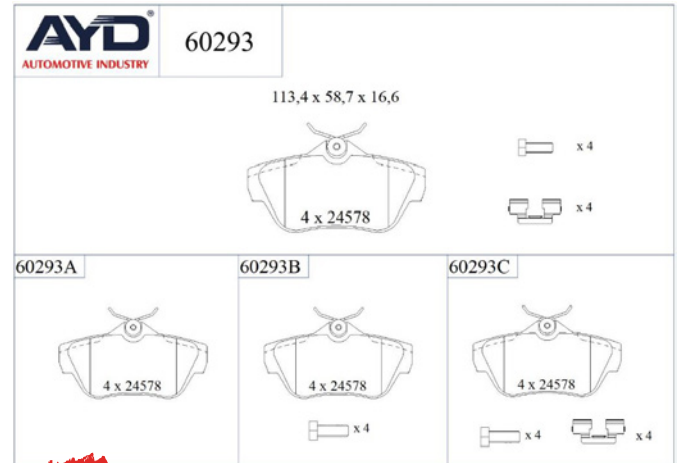
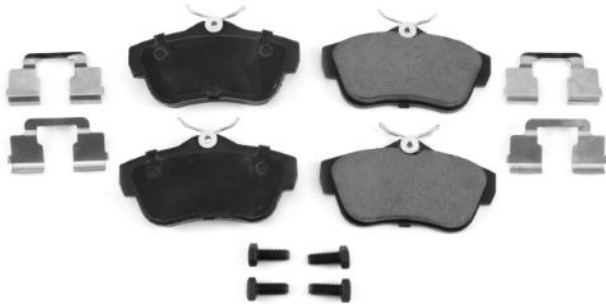
SUBARU

MODEL	START D.	END Y.
SVX (CX)	1992/09	1997/12



BRAKE PAD

11-60293



• Rear Axle

OE:
SU001A1065

• Safety
• Performance
• OEM Standards
• AYD Quality

WVA :24578

Technical Specifications:

Code	Shim	Wear Indicator	Indicator Type	Piston Spring	Compression Spring	Rivet	Clips	Bolt	Plastic Plug	Kit
60293A	4	-	-	-	4	-	-	-	-	-
60293C	4	-	-	-	4	-	4	4	-	-
60293B	4	-	-	-	4	-	-	4	-	-

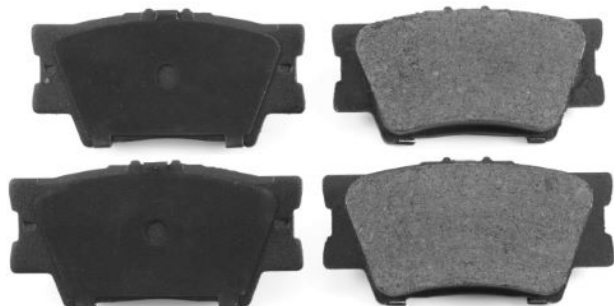
TOYOTA

MODEL	START D.	END Y.
PROACE Panelvan/Van (MDX_)	2013/06	2016/03



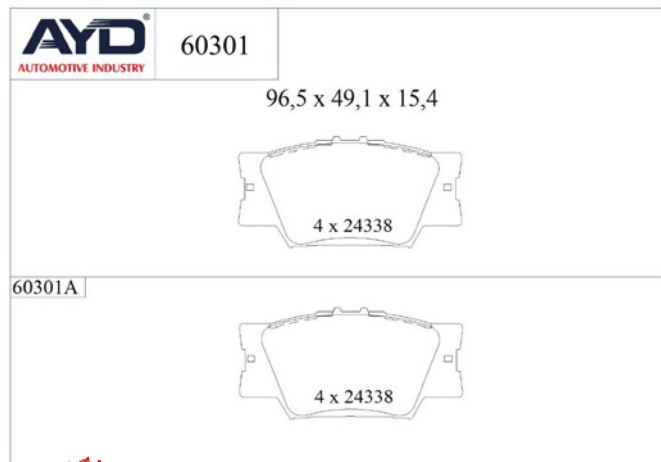
BRAKE PAD

11-60301



• Rear Axle

OE:
0446602220



• Safety
• Performance
• OEM Standarts
• AYD Quality

WVA :24338

Technical Specifications:

Code	Shim	Wear Indicator	Indicator Type	Piston Spring	Compression Spring	Rivet	Clips	Bolt	Plastic Plug	Kit
60301A	4	-	-	-	-	-	-	-	-	-

TOYOTA

MODEL	START D.	END Y.
AURION (_V5_)	2011/09	
AVALON Sedan (_X3_)	2005/01	2012/11
AVALON Sedan (_X4_)	2012/09	2018/03
CAMRY (_V7_, _VA7_, _VH7_)	2017/06	
CAMRY Sedan (_V4_)	2006/01	2014/12
CAMRY Sedan (_V5_)	2011/09	
MATRIX (_E14_)	2008/01	2015/12
RAV 4 III (_A3_)	2005/06	2014/08



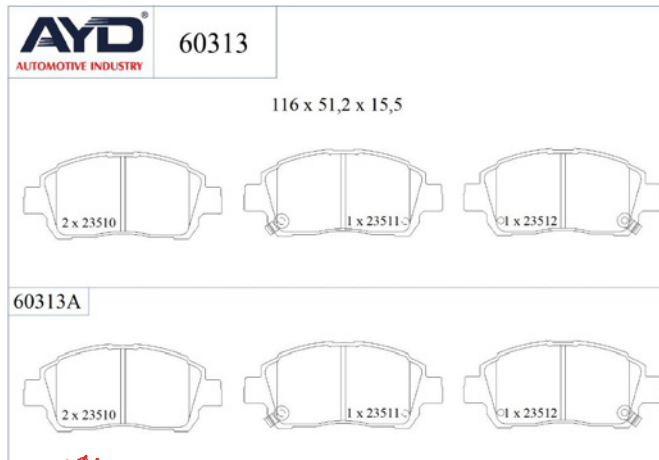
BRAKE PAD

11-60313



• Front Axle

OE:
044650W050



• Safety
• Performance
• OEM Standards
• AYD Quality

WVA :23510-23511-23512

Technical Specifications:

Code	Shim	Wear Indicator	Indicator Type	Piston Spring	Compression Spring	Rivet	Clips	Bolt	Plastic Plug	Kit
60313A	4	2	-	-	-	-	-	-	-	-

TOYOTA

MODEL	START D.	END Y.
CELICA Coupe (_T23_)	1999/08	2006/03
COROLLA (_E12_)	2001/01	2007/12
COROLLA Sedan (_E12_)	2000/08	2008/12
COROLLA Sedan (_E15_)	2006/10	
COROLLA Station wagon (_E12_)	2001/03	2008/12
COROLLA Verso (_E12_)	2001/07	2007/05
PRIUS Liftback (_W2_)	2003/09	2009/12
PRIUS Sedan (_W1_)	2000/05	2004/01



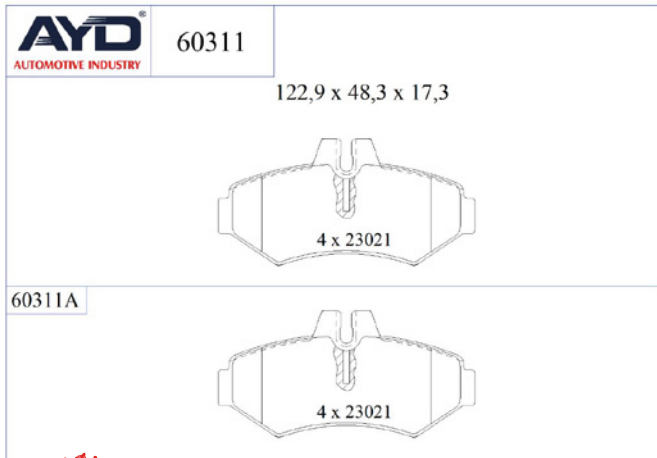
BRAKE PAD

11-60311



• Rear Axle

OE:
2D0698451B



- Safety
- Performance
- OEM Standards
- AYD Quality

WVA :23021

Technical Specifications:

Code	Shim	Wear Indicator	Indicator Type	Piston Spring	Compression Spring	Rivet	Clips	Bolt	Plastic Plug	Kit
60311A	4	-	-	-	-	-	-	-	-	-

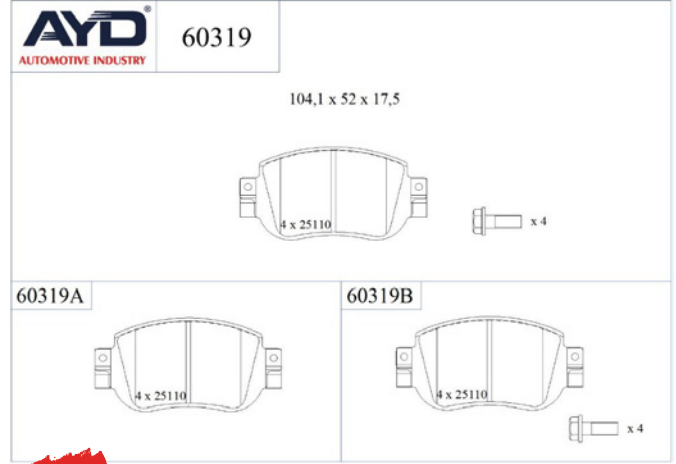
VW

MODEL	START D.	END Y.
LT 28-35 II Minibus/Bus (2DB, 2DE, 2DK)	1996/04	2006/07
LT 28-46 II Panelvan/Van (2DA, 2DD, 2DH)	1996/04	2006/07
LT 28-46 II Platform (2DC, 2DF, 2DG, 2DL, 2DM)	1996/04	2006/07



BRAKE PAD

11-60319



• Rear Axle

OE:
2K5698451A
2K5698451B
5Q0698451B

• Safety
• Performance
• OEM Standarts
• AYD Quality

Technical Specifications:

Code	Shim	Wear Indicator	Indicator Type	Piston Spring	Compression Spring	Rivet	Clips	Bolt	Plastic Plug	Kit
60319A	4	-	-	-	8	-	-	-	-	-
60319B	4	-	-	-	8	-	-	4	-	-

VW

MODEL	START D.	END Y.
BEETLE (5C1, 5C2)	2011/04	2019/07
BEETLE Cabrio (5C7, 5C8)	2011/12	2019/07
CADDY ALLTRACK Kasa/büyük limuzin (SAA)	2015/05	
CADDY ALLTRACK MPV (SAB)	2015/05	
CADDY IV Kasa/büyük limuzin (SAA, SAH)	2015/05	
CADDY IV MPV (SAB, SAJ)	2015/05	
SHARAN (7N1, 7N2)	2010/05	

