

new to range

AYD[®]
AUTOMOTIVE INDUSTRY

SPEED TO MARKET SECOND TO NONE



BRAKING

THE DIFFERENCE

SAFETY

PERFORMANCE

OEM Standards

AYD QUALITY

www.aydtr.com



NOVEMBER 2022

INDEX

BRAKE DISC

AUDI	3
BMW	4-9
CADILLAC	10
CHEVROLET	11-13
CHRYSLER	14
CITROEN	15-16
DODGE	17-18
DS	19
FIAT	20
FORD	21-28
HONDA	29-30
HYUNDAI	31-32
INFINITI	33-34
JEEP	35
LEXUS	36-37
LINCOLN	38-39
MERCEDES BENZ	40-41
MERCURY	42
MINI	43
MITSUBISHI	44-45
NISSAN	46-47
OPEL	48-50
PEUGEOT	51-52
PONTIAC	53-54
RAM	55
RENAULT	56
SEAT	57
SMART	58
TOYOTA	59-66
VOLVO	67-68
VOLKSWAGEN	69

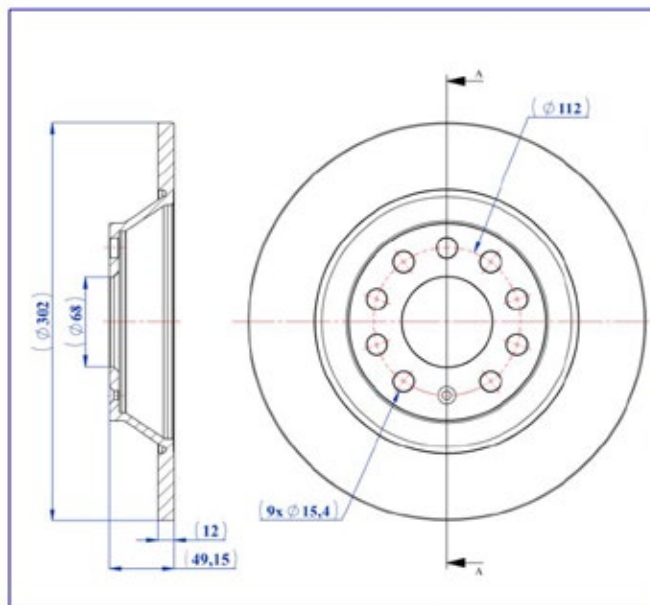
BRAKE DRUM

DODGE	70
JEEP	71

BRAKE DISC

- Rear Axle
- Solid

- Safety
- Performance
- OEM Standarts
- AYD Quality



AYD[®]
AUTOMOTIVE INDUSTRY

AYD NO
10-50362

MATERIAL
TYPE-1

WEIGHT
5,53 KG

BALANCING
100 %



OE:
4F0615601E

10-50362

Technical Specifications:

Diameter (mm)	Height (mm)	Brake Disc Thickness (mm)	Min. Thickness (mm)	Centering Diameter (mm)	Bolt Hole Circle (mm)	Num. of Holes
302	49.15	12	10	68	112	9+1

AUDI

MODEL	START Y.	END Y.
A6 C6 (4F2)	2004/04	2011/08
A6 C6 Avant (4F5)	2004/11	2011/08

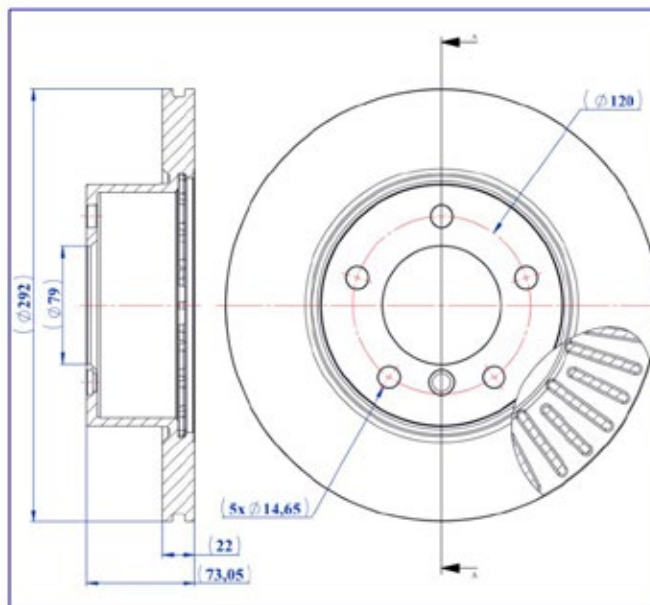


BRAKE DISC

- Front Axle
- Vented

- Safety
- Performance
- OEM Standarts
- AYD Quality

OE:
34116764641
34116854997



AYD
AUTOMOTIVE INDUSTRY

AYD NO
10-50295

MATERIAL
TYPE-1

WEIGHT
6.87 KG

BALANCING
100 %



10-50295

Technical Specifications:

Diameter (mm)	Height (mm)	Brake Disc Thickness (mm)	Min. Thickness (mm)	Centering Diameter (mm)	Bolt Hole Circle (mm)	Num. of Holes
292	73.05	22	20.4	79	120	5+1

BMW

MODEL	START Y.	END Y.
1 (E81)	2006/09	2012/09
1 (E87)	2003/02	2013/01
1 Cabrio (E88)	2007/12	2013/12
1 Coupe (E82)	2006/10	2013/10
3 (E90)	2004/02	2012/02

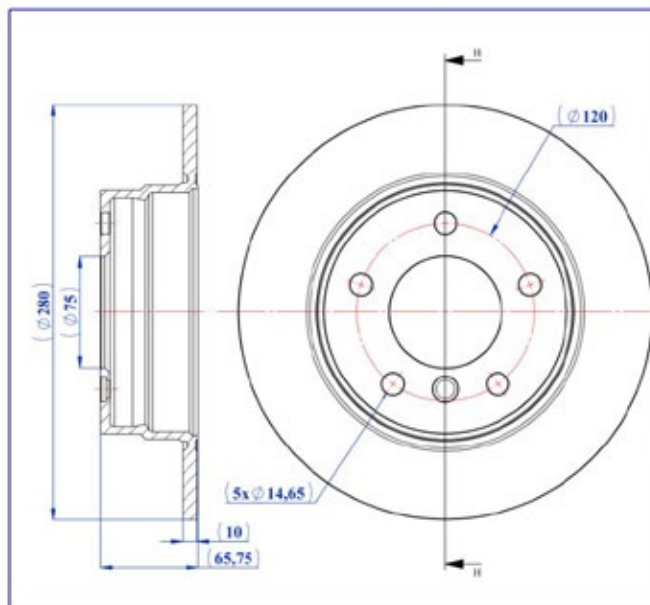


BRAKE DISC

- Rear Axle
- Solid

- Safety
- Performance
- OEM Standarts
- AYD Quality

OE:
34216855001
34216764647



AYD
AUTOMOTIVE INDUSTRY

AYD NO
10-50331

MATERIAL
TYPE-1

WEIGHT
4,54 KG

BALANCING
100 %



10-50331

Technical Specifications:

Diameter (mm)	Height (mm)	Brake Disc Thickness (mm)	Min. Thickness (mm)	Centering Diameter (mm)	Bolt Hole Circle (mm)	Num. of Holes
280	65.75	10	8.4	75	120	5+1

BMW

MODEL	START Y.	END Y.
1 (E81)	2006/09	2012/09
1 (E87)	2003/02	2013/01

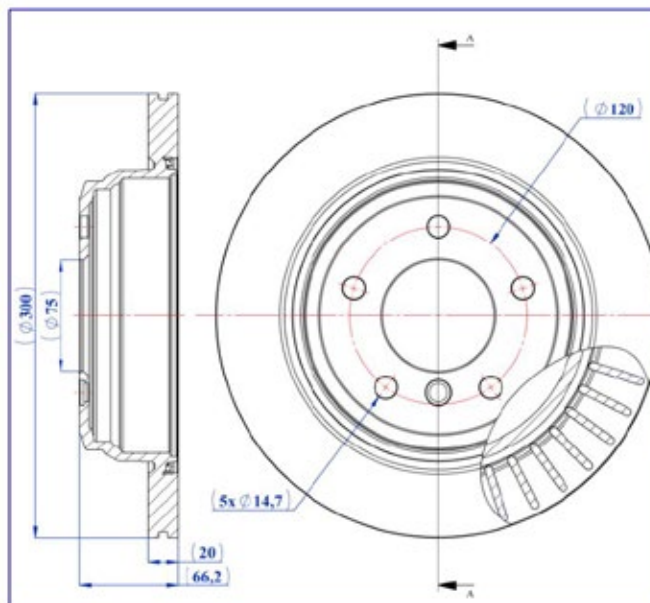


BRAKE DISC

- Rear Axle
- Vented

- Safety
- Performance
- OEM Standards
- AYD Quality

OE:
34216764653
34216864901
34216855008



AYD
AUTOMOTIVE INDUSTRY

AYD NO
10-50335

MATERIAL
TYPE-1

WEIGHT
6,78 KG

BALANCING
100 %



10-50335

Technical Specifications:

Diameter (mm)	Height (mm)	Brake Disc Thickness (mm)	Min. Thickness (mm)	Centering Diameter (mm)	Bolt Hole Circle (mm)	Num. of Holes
300	66.2	20	18.4	75	120	5+1

BMW

MODEL	START Y.	END Y.
1 (E81)	2006/09	2012/09
1 (E87)	2003/02	2013/01
3 (E90)	2004/02	2012/02
3 Cabrio (E93)	2006/05	2013/12
3 Coupe (E92)	2005/01	2013/12
3 Touring (E91)	2004/12	2012/12
X1 (E84)	2009/03	2015/06



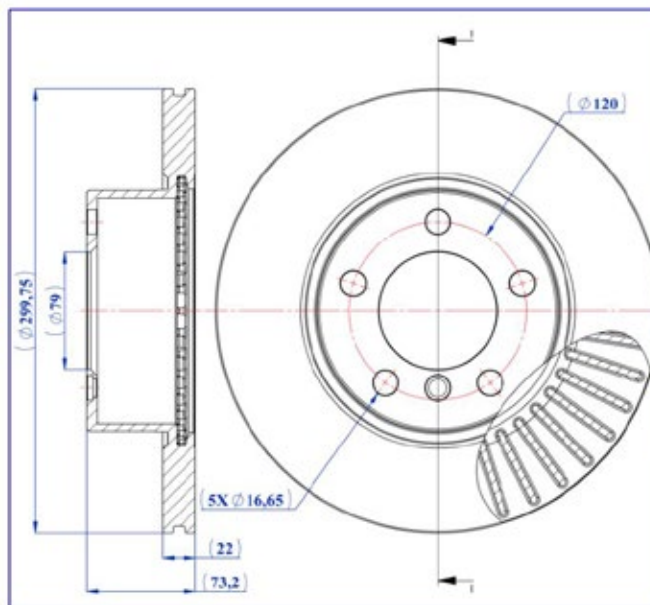
BRAKE DISC

- Front Axle
- Vented

- Safety
- Performance
- OEM Standards
- AYD Quality

OE:
34116792217

10-50437



AYD
AUTOMOTIVE INDUSTRY

AYD NO
10-50437

MATERIAL
TYPE-1

WEIGHT
7,37 KG

BALANCING
100 %



Technical Specifications:

Diameter (mm)	Height (mm)	Brake Disc Thickness (mm)	Min. Thickness (mm)	Centering Diameter (mm)	Bolt Hole Circle (mm)	Num. of Holes
299.75	73.2	22	20.5	79	120	5+1

BMW

MODEL	START Y.	END Y.
1 (F20)	2011/07	2019/06
1 (F21)	2011/12	
3 (F30, F80)	2011/11	2018/10
3 Gran Turismo (F34)	2012/07	
3 Touring (F31)	2012/07	2019/06
4 Cabrio (F33, F83)	2013/10	
4 Coupe (F32, F82)	2013/07	
4 Gran Coupe (F36)	2014/03	

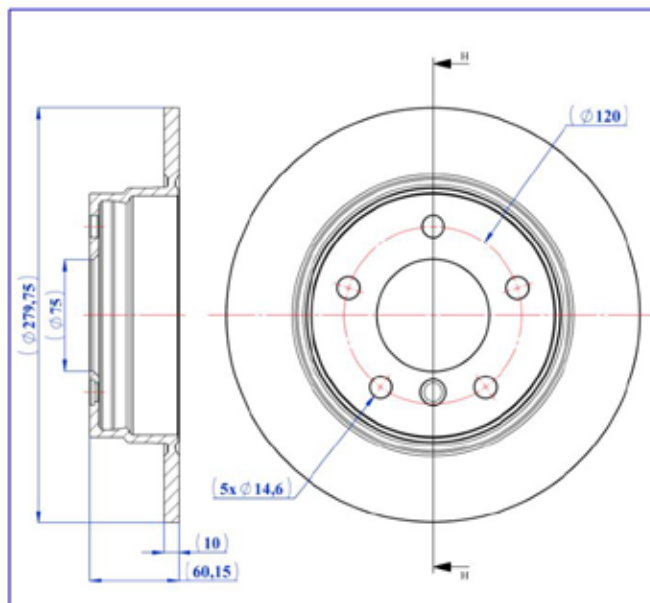


BRAKE DISC

- Rear Axle
- Solid

- Safety
- Performance
- OEM Standards
- AYD Quality

OE:
34211165457
34216766225
34216855158



AYD
AUTOMOTIVE INDUSTRY

AYD NO
10-50496

MATERIAL
TYPE-1

WEIGHT
4,51 KG

BALANCING
100 %



10-50496

Technical Specifications:

Diameter (mm)	Height (mm)	Brake Disc Thickness (mm)	Min. Thickness (mm)	Centering Diameter (mm)	Bolt Hole Circle (mm)	Num. of Holes
279.75	60.15	10	8.4	75	120	5+1

BMW

MODEL	START Y.	END Y.
3 (E36)	1990/09	1998/11
3 (E46)	1997/12	2005/05
3 Cabrio (E36)	1993/03	1999/11
3 Compact (E46)	2001/03	2005/02
3 Coupe (E36)	1991/10	1999/05
3 Coupe (E46)	1998/12	2006/07
3 Touring (E36)	1994/08	1999/12



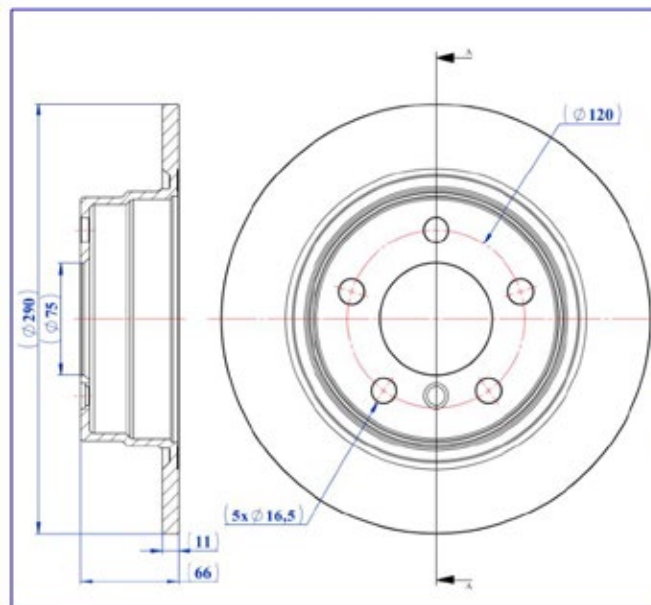
BRAKE DISC

- Rear Axle
- Solid

- Safety
- Performance
- OEM Standarts
- AYD Quality

OE:
34216792225
6792225

10-50752



AYD
AUTOMOTIVE INDUSTRY

AYD NO
10-50752

MATERIAL
TYPE-1

WEIGHT
4,92 KG

BALANCING
100 %



Technical Specifications:

Diameter (mm)	Height (mm)	Brake Disc Thickness (mm)	Min. Thickness (mm)	Centering Diameter (mm)	Bolt Hole Circle (mm)	Num. of Holes
290	66	11	9.4	75	120	5+1

BMW

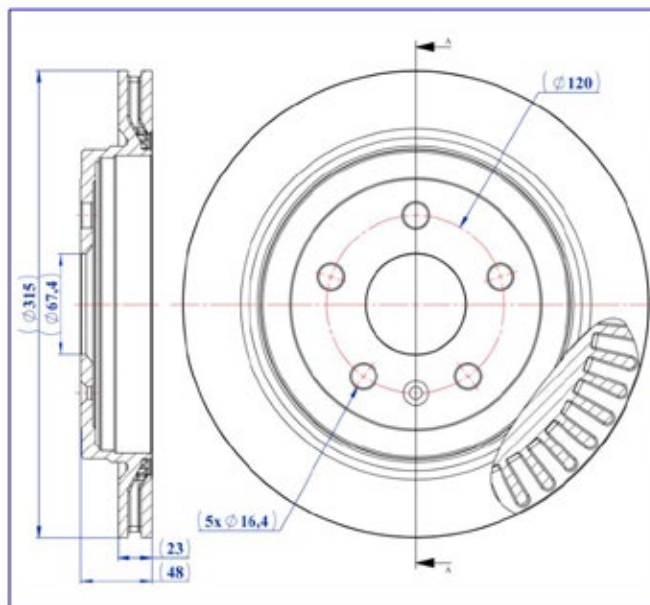
MODEL	START Y.	END Y.
1 (F20)	2011/07	2019/06
1 (F21)	2011/12	
2 Cabrio (F23)	2014/03	
2 Coupe (F22, F87)	2012/10	



BRAKE DISC

- Rear Axle
- Vented

- Safety
- Performance
- OEM Standards
- AYD Quality



AYD
AUTOMOTIVE INDUSTRY

AYD NO
10-50797

MATERIAL
TYPE-1

WEIGHT
7,65 KG

BALANCING
100 %



OE:
13501315

10-50797

Technical Specifications:

Diameter (mm)	Height (mm)	Brake Disc Thickness (mm)	Min. Thickness (mm)	Centering Diameter (mm)	Bolt Hole Circle (mm)	Num. of Holes
315	48	23	21.5	67.4	120	5+1

CADILLAC

MODEL	START Y.	END Y.
CTS	2007/07	

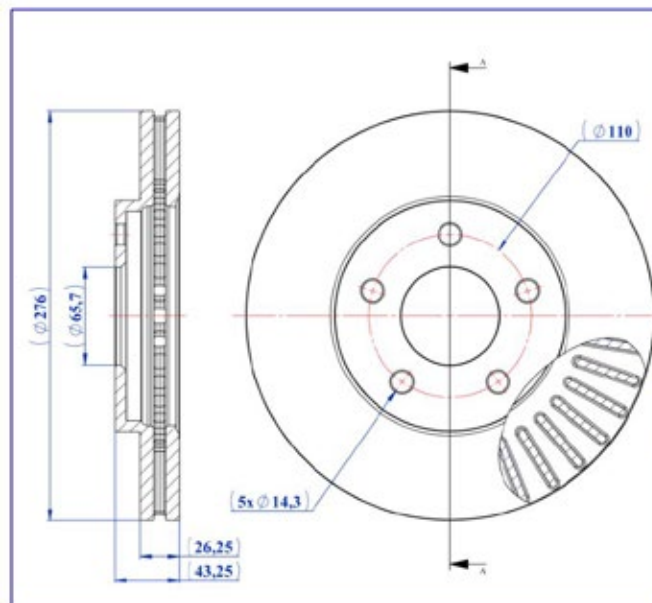


BRAKE DISC

- Front Axle
- Vented

- Safety
- Performance
- OEM Standarts
- AYD Quality

OE:
19303828
22705302
25797351



AYD
AUTOMOTIVE INDUSTRY

AYD NO
10-50789

MATERIAL
TYPE-1

WEIGHT
7,16 KG

BALANCING
100 %



10-50789

Technical Specifications:

Diameter (mm)	Height (mm)	Brake Disc Thickness (mm)	Min. Thickness (mm)	Centering Diameter (mm)	Bolt Hole Circle (mm)	Num. of Holes
276	43.25	26.25	23	65.7	110	5

CHEVROLET

MODEL	START Y.	END Y.
MALIBU	2003/10	2007/12
MALIBU Hatchback	2003/10	2008/12

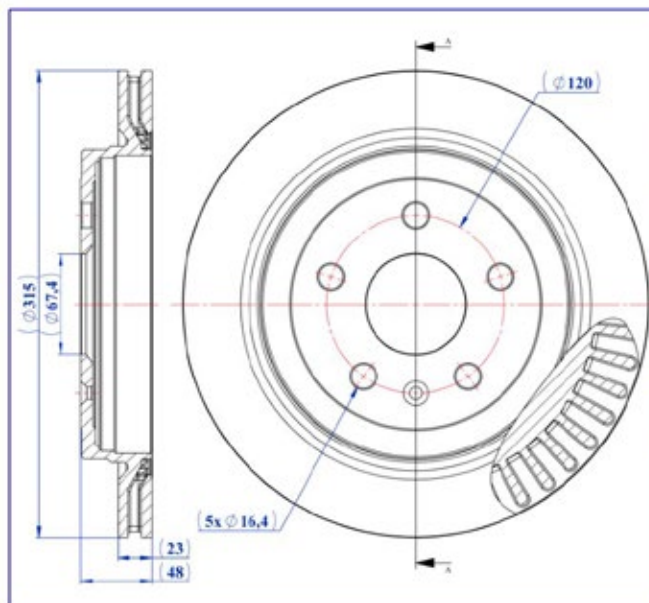


BRAKE DISC

- Rear Axle
- Vented

- Safety
- Performance
- OEM Standards
- AYD Quality

OE:
15267107
20808621
13501315



AYD
AUTOMOTIVE INDUSTRY

AYD NO
10-50797

MATERIAL
TYPE-1

WEIGHT
7,65 KG

BALANCING
100 %



10-50797

Technical Specifications:

Diameter (mm)	Height (mm)	Brake Disc Thickness (mm)	Min. Thickness (mm)	Centering Diameter (mm)	Bolt Hole Circle (mm)	Num. of Holes
315	48	23	21.5	67.4	120	5+1

CHEVROLET

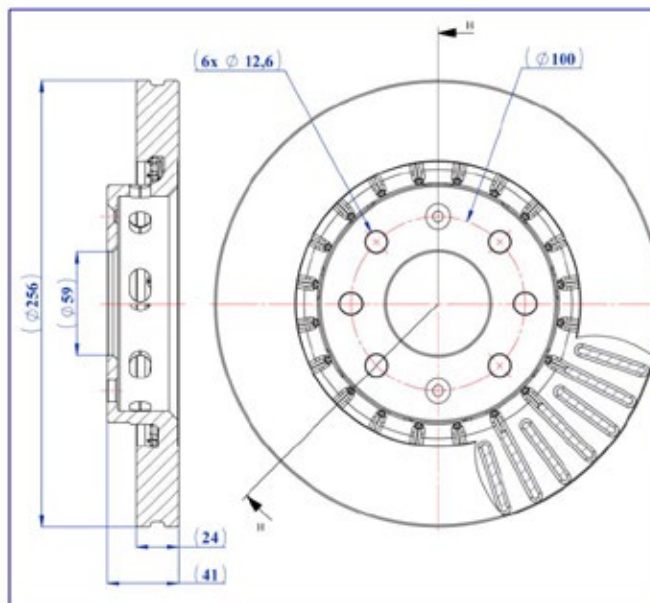
MODEL	START Y.	END Y.
CAMARO	2009/02	2015/12



BRAKE DISC

- Front Axle
- Vented

- Safety
- Performance
- OEM Standards
- AYD Quality



AYD
AUTOMOTIVE INDUSTRY

AYD NO
10-50802

MATERIAL
TYPE-1

WEIGHT
5,37 KG

BALANCING
100 %



OE:
96471275
96534660

10-50802

Technical Specifications:

Diameter (mm)	Height (mm)	Brake Disc Thickness (mm)	Min. Thickness (mm)	Centering Diameter (mm)	Bolt Hole Circle (mm)	Num. of Holes
256	41	24	22	59	100	6+2

CHEVROLET

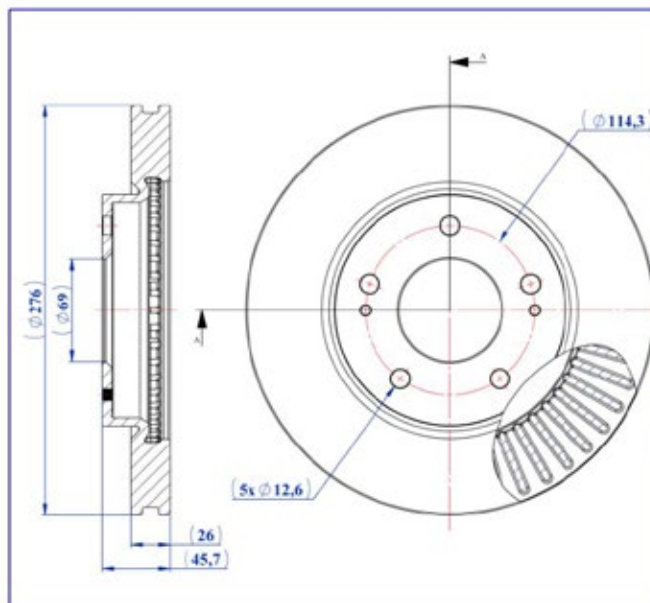
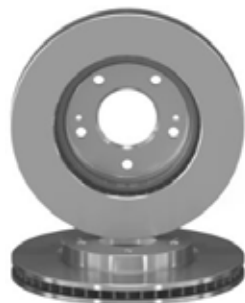
MODEL	START Y.	END Y.
AVEO / KALOS Hatchback (T200)	2003/02	2008/05
AVEO / KALOS Sedan (T200)	2003/01	2008/12
AVEO Sedan (T300)	2011/03	



BRAKE DISC

- Front Axle
- Vented

- Safety
- Performance
- OEM Standards
- AYD Quality



AYD
AUTOMOTIVE INDUSTRY

AYD NO
10-50795

MATERIAL
TYPE-1

WEIGHT
6.03 KG

BALANCING
100 %



OE:
MR493550

10-50795

Technical Specifications:

Diameter (mm)	Height (mm)	Brake Disc Thickness (mm)	Min. Thickness (mm)	Centering Diameter (mm)	Bolt Hole Circle (mm)	Num. of Holes
276	45.7	26	24.4	69	114.3	5+2

CHRYSLER

MODEL	START Y.	END Y.
SEBRING (JR)	2000/09	2007/06
SEBRING Cabrio (JR)	2001/04	2007/06
SEBRING Coupe (JR)	2001/01	2006/12

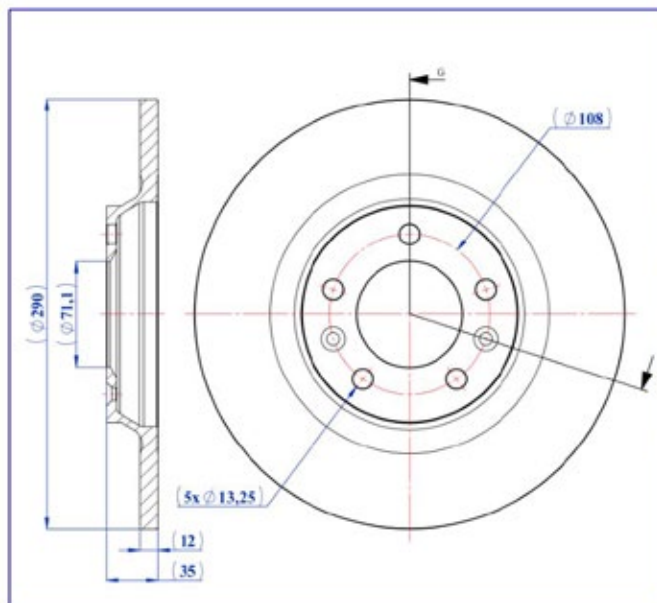
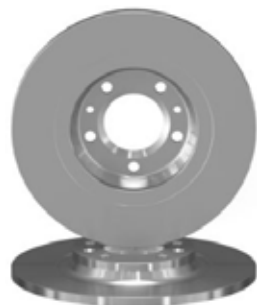


BRAKE DISC

- Rear Axle
- Solid

- Safety
- Performance
- OEM Standarts
- AYD Quality

OE:
E169157
4246P9
424972



AYD
AUTOMOTIVE INDUSTRY

AYD NO
10-50315

MATERIAL
TYPE-1

WEIGHT
4,98 KG

BALANCING
100 %



10-50315

Technical Specifications:

Diameter (mm)	Height (mm)	Brake Disc Thickness (mm)	Min. Thickness (mm)	Centering Diameter (mm)	Bolt Hole Circle (mm)	Num. of Holes
290	35	12	10	71.1	108	5+2

CITROËN

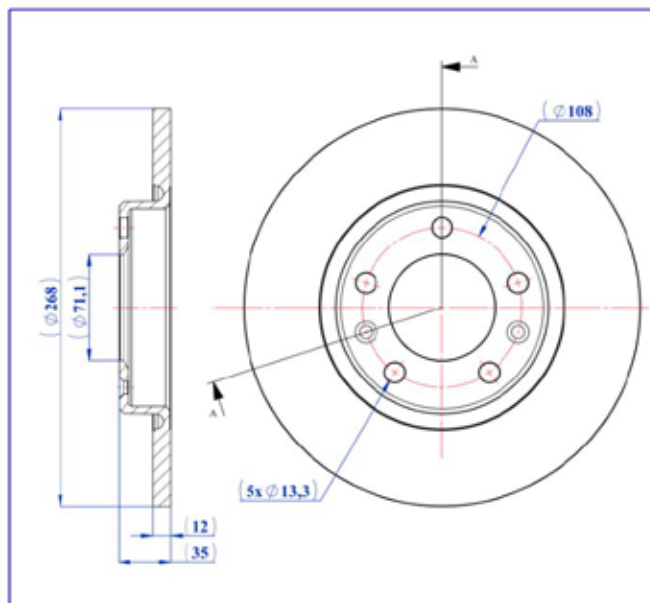
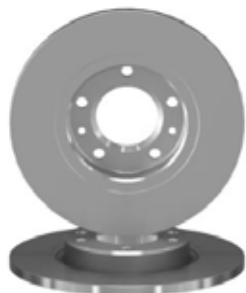
MODEL	START Y.	END Y.
C5 III (RD_)	2008/02	
C5 III Break (RW_)	2008/02	



BRAKE DISC

- Rear Axle
- Solid

- Safety
- Performance
- OEM Standards
- AYD Quality



AYD
AUTOMOTIVE INDUSTRY

AYD NO
10-50483

MATERIAL
TYPE-1

WEIGHT
4,24 KG

BALANCING
100 %



OE:
1609582880
1642776380

10-50483

Technical Specifications:

Diameter (mm)	Height (mm)	Brake Disc Thickness (mm)	Min. Thickness (mm)	Centering Diameter (mm)	Bolt Hole Circle (mm)	Num. of Holes
268	35	12	10	71.1	108	5+2

CITROËN

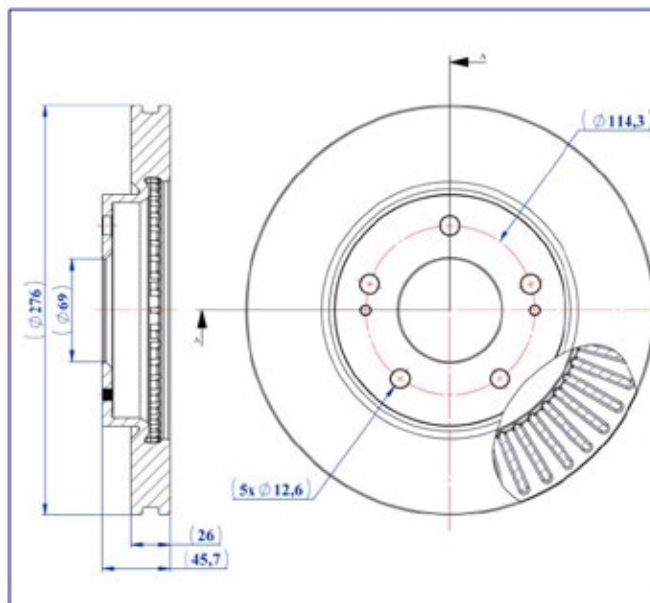
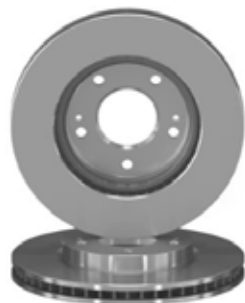
MODEL	START Y.	END Y.
BERLINGO (ER_, EC_)	2018/06	
BERLINGO MULTISPACE (B9)	2008/04	
C4 GRAND PICASSO II (DA_, DE_)	2013/06	
C4 PICASSO II	2013/01	
C4 SPACETOURER (3D_)	2018/04	
GRAND C4 SPACETOURER (3A_, 3E_)	2018/04	



BRAKE DISC

- Front Axle
- Vented

- Safety
- Performance
- OEM Standards
- AYD Quality



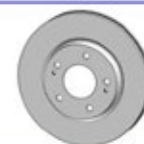
AYD
AUTOMOTIVE INDUSTRY

AYD NO
10-50795

MATERIAL
TYPE-1

WEIGHT
6.03 KG

BALANCING
100 %



OE:
MR493551

10-50795

Technical Specifications:

Diameter (mm)	Height (mm)	Brake Disc Thickness (mm)	Min. Thickness (mm)	Centering Diameter (mm)	Bolt Hole Circle (mm)	Num. of Holes
276	45.7	26	24.4	69	114.3	5+2

DODGE

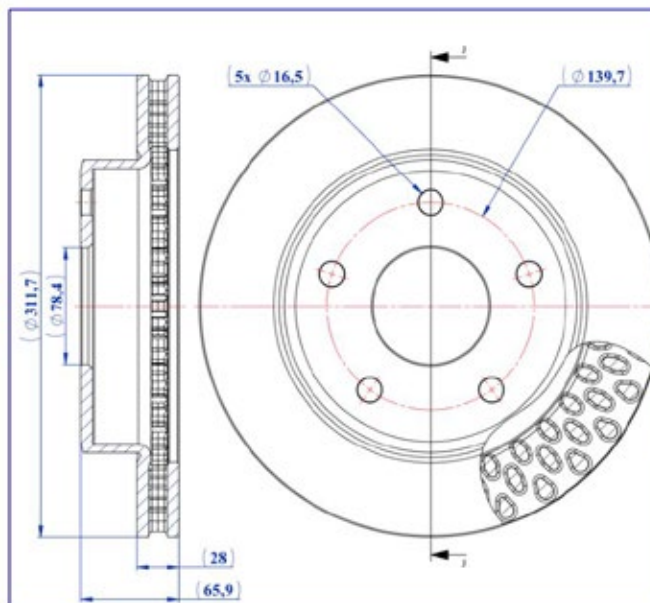
MODEL	START Y.	END Y.
STRATUS Coupe	2000/09	2005/12
STRATUS II	2000/10	2006/10



BRAKE DISC

- Front Axle
- Vented

- Safety
- Performance
- OEM Standards
- AYD Quality



AYD
AUTOMOTIVE INDUSTRY

AYD NO
10-50806

MATERIAL
TYPE-1

WEIGHT
8,31 KG

BALANCING
100 %



OE:
52855005B
52855005AB

10-50806

Technical Specifications:

Diameter (mm)	Height (mm)	Brake Disc Thickness (mm)	Min. Thickness (mm)	Centering Diameter (mm)	Bolt Hole Circle (mm)	Num. of Holes
311.7	65.9	28	26	78.4	139.7	5

DODGE

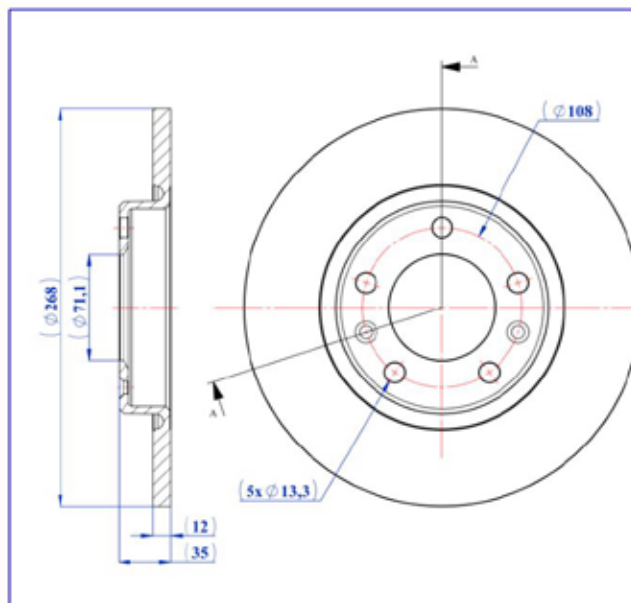
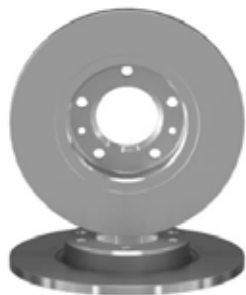
MODEL	START Y.	END Y.
DAKOTA Crew Cab Pickup	2004/09	2011/12



BRAKE DISC

- Rear Axle
- Solid

- Safety
- Performance
- OEM Standards
- AYD Quality



AYD NO
10-50483

MATERIAL
TYPE-1

WEIGHT
4,24 KG

BALANCING
100 %



OE:
1609582880

10-50483

Technical Specifications:

Diameter (mm)	Height (mm)	Brake Disc Thickness (mm)	Min. Thickness (mm)	Centering Diameter (mm)	Bolt Hole Circle (mm)	Num. of Holes
268	35	12	10	71.1	108	5+2

DS

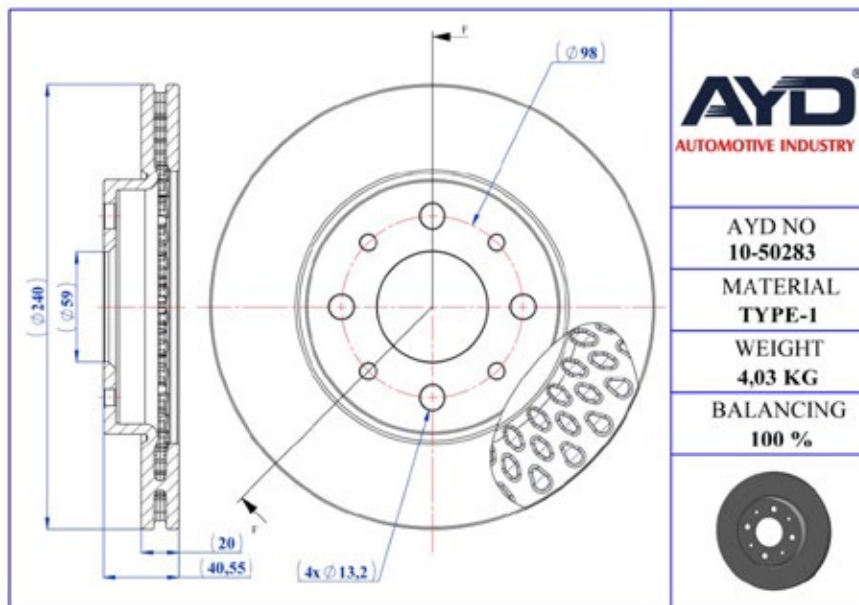
MODEL	START Y.	END Y.
DS 4 II (F_, FB_, F3_)	2021/10	



BRAKE DISC

- Front Axle
- Vented

- Safety
- Performance
- OEM Standards
- AYD Quality



AYD AUTOMOTIVE INDUSTRY
AYD NO 10-50283
MATERIAL TYPE-1
WEIGHT 4,03 KG
BALANCING 100 %



OE:
46788929
51742727

10-50283

Technical Specifications:

Diameter (mm)	Height (mm)	Brake Disc Thickness (mm)	Min. Thickness (mm)	Centering Diameter (mm)	Bolt Hole Circle (mm)	Num. of Holes
240	40.55	20	18.2	59	98	4+4

FIAT

MODEL	START Y.	END Y.
500 (312_)	2007/07	
500 C (312_)	2009/09	
PANDA (169_)	2003/09	
PANDA Van (169_)	2004/03	

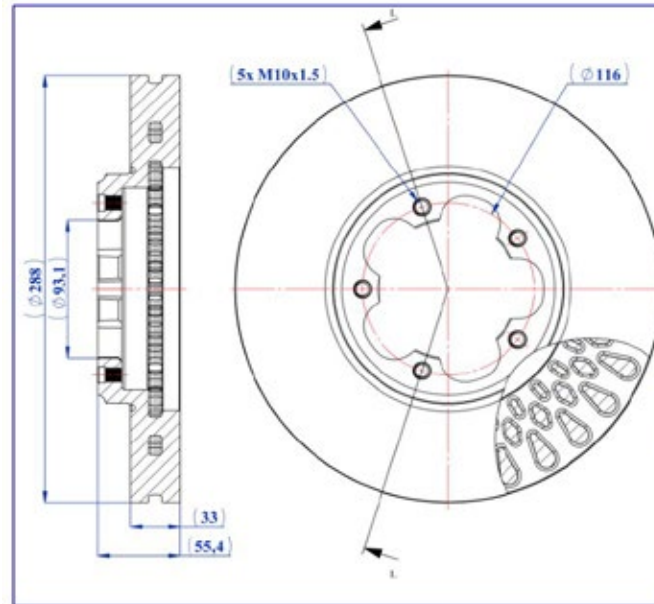


BRAKE DISC

- Front Axle
- Vented

- Safety
- Performance
- OEM Standards
- AYD Quality

OE:
BK211125HA
2168838
BK211125GA



AYD
AUTOMOTIVE INDUSTRY

AYD NO
10-50213

MATERIAL
TYPE-1

WEIGHT
10 KG

BALANCING
100 %



10-50213

Technical Specifications:

Diameter (mm)	Height (mm)	Brake Disc Thickness (mm)	Min. Thickness (mm)	Centering Diameter (mm)	Bolt Hole Circle (mm)	Num. of Holes
288	55.4	33	30	93.1	116	5

FORD

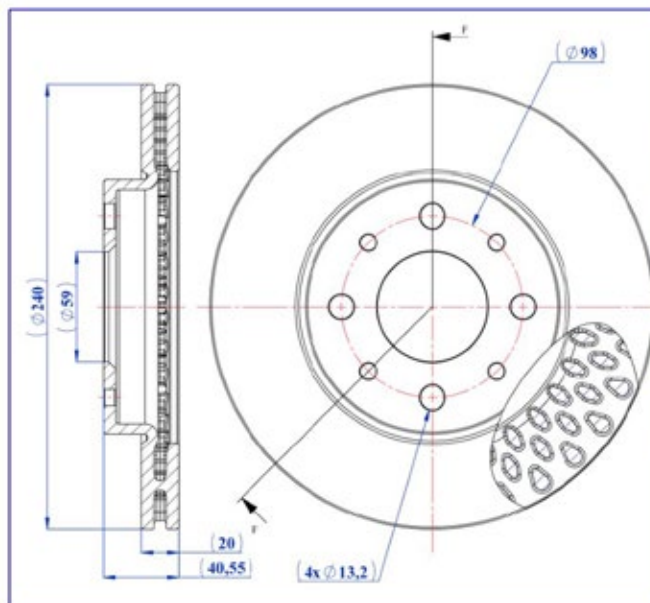
MODEL	START Y.	END Y.
TOURNEO CUSTOM V362 Minibus/Bus (F3)	2012/04	
TRANSIT CUSTOM V362 Minibus/Bus (F3)	2012/04	
TRANSIT CUSTOM V362 Panelvan/Van (FY, FZ)	2012/09	
TRANSIT V363 Minibus/Bus (FAD, FBD)	2013/08	
TRANSIT V363 Panelvan/Van (FCD, FDD)	2013/08	



BRAKE DISC

- Front Axle
- Vented

- Safety
- Performance
- OEM Standarts
- AYD Quality



AYD NO
10-50283

MATERIAL
TYPE-1

WEIGHT
4.03 KG

BALANCING
100 %



OE:
1541806
9S511125DA

10-50283

Technical Specifications:

Diameter (mm)	Height (mm)	Brake Disc Thickness (mm)	Min. Thickness (mm)	Centering Diameter (mm)	Bolt Hole Circle (mm)	Num. of Holes
240	40.55	20	18.2	59	98	4+4

FORD

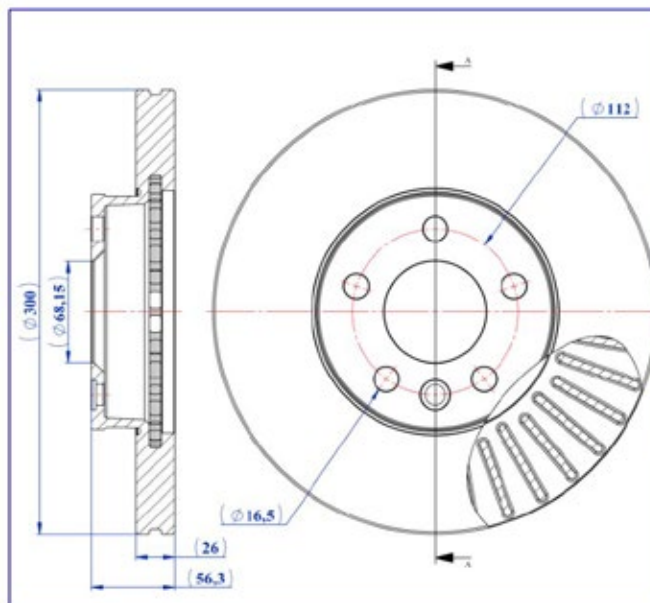
MODEL	START Y.	END Y.
KA (RU8)	2008/10	2016/05



BRAKE DISC

- Front Axle
- Vented

- Safety
- Performance
- OEM Standarts
- AYD Quality



AYD
AUTOMOTIVE INDUSTRY

AYD NO
10-50348

MATERIAL
TYPE-1

WEIGHT
8,67 KG

BALANCING
100 %



OE:
1141782

10-50348

Technical Specifications:

Diameter (mm)	Height (mm)	Brake Disc Thickness (mm)	Min. Thickness (mm)	Centering Diameter (mm)	Bolt Hole Circle (mm)	Num. of Holes
300	56.3	26	22	68.15	112	5+1

FORD

MODEL	START Y.	END Y.
GALAXY I (WGR)	1995/03	2006/05

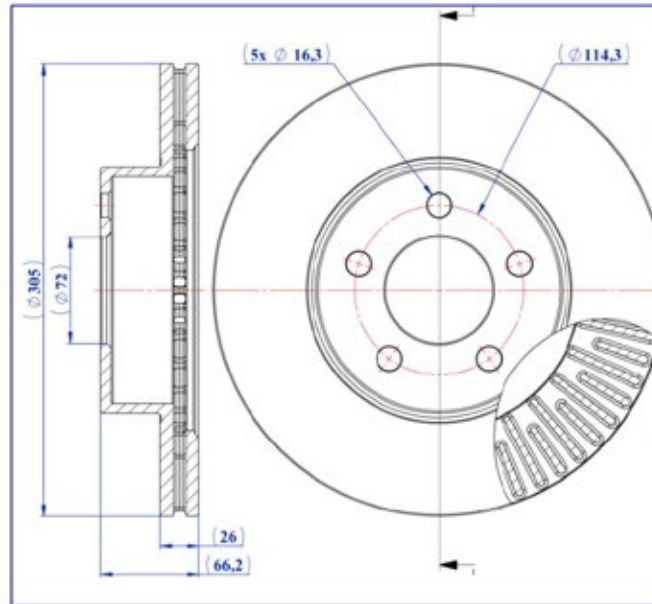


BRAKE DISC

- Front Axle
- Vented

- Safety
- Performance
- OEM Standards
- AYD Quality

OE:
1F6033251A
1L5Z1125AA
3L2Z1125AA



AYD
AUTOMOTIVE INDUSTRY

AYD NO
10-50801

MATERIAL
TYPE-1

WEIGHT
8.82 KG

BALANCING
100 %



10-50801

Technical Specifications:

Diameter (mm)	Height (mm)	Brake Disc Thickness (mm)	Min. Thickness (mm)	Centering Diameter (mm)	Bolt Hole Circle (mm)	Num. of Holes
305	66.2	26	24.5	72	114.3	5

FORD

MODEL	START Y.	END Y.
RANGER (ER, EQ, R_)	1997/04	2011/12

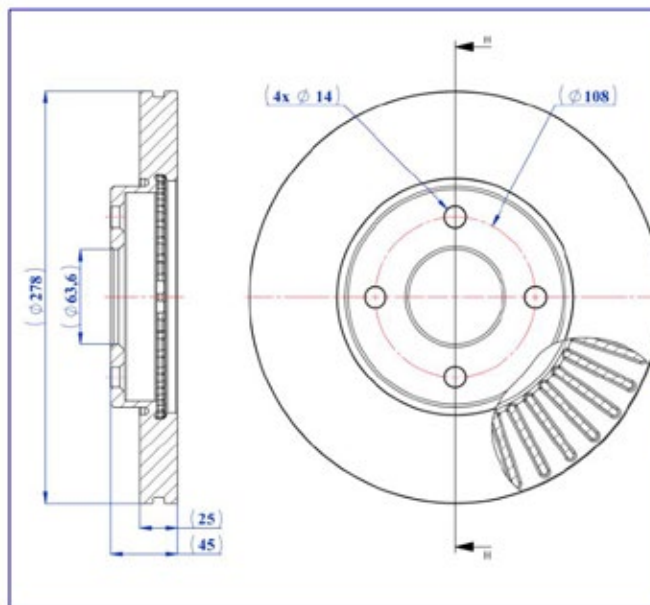


BRAKE DISC

- Front Axle
- Vented

- Safety
- Performance
- OEM Standarts
- AYD Quality

OE:
1445625
4S4Z1125A
4S4Z1125AA



AYD
AUTOMOTIVE INDUSTRY

AYD NO
10-50807

MATERIAL
TYPE-1

WEIGHT
7,09 KG

BALANCING
100 %



10-50807

Technical Specifications:

Diameter (mm)	Height (mm)	Brake Disc Thickness (mm)	Min. Thickness (mm)	Centering Diameter (mm)	Bolt Hole Circle (mm)	Num. of Holes
278	45	25	23	63.6	108	4

FORD

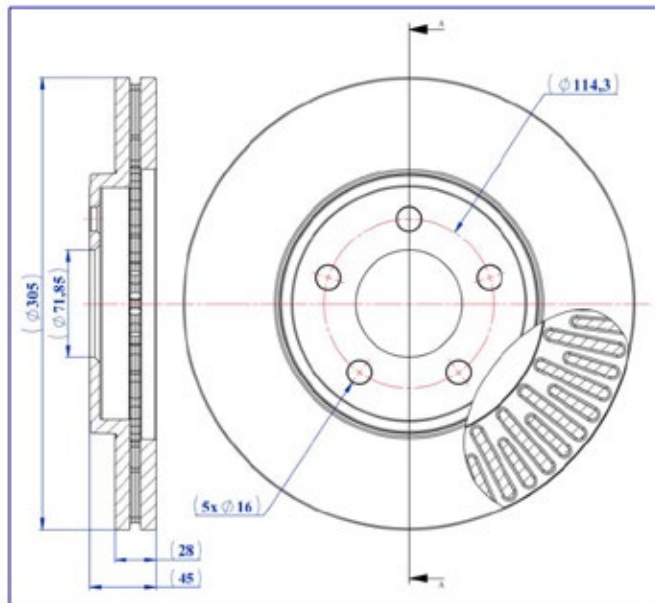
MODEL	START Y.	END Y.
FOCUS C-MAX (DM2)	2003/10	2007/03



BRAKE DISC

- Front Axle
- Vented

- Safety
- Performance
- OEM Standards
- AYD Quality



AYD
AUTOMOTIVE INDUSTRY

AYD NO
10-50794

MATERIAL
TYPE-1

WEIGHT
9,82 KG

BALANCING
100 %



OE:
3W1Z1125AB

10-50794

Technical Specifications:

Diameter (mm)	Height (mm)	Brake Disc Thickness (mm)	Min. Thickness (mm)	Centering Diameter (mm)	Bolt Hole Circle (mm)	Num. of Holes
305	45	28	26.35	71.85	114.3	5

FORD USA

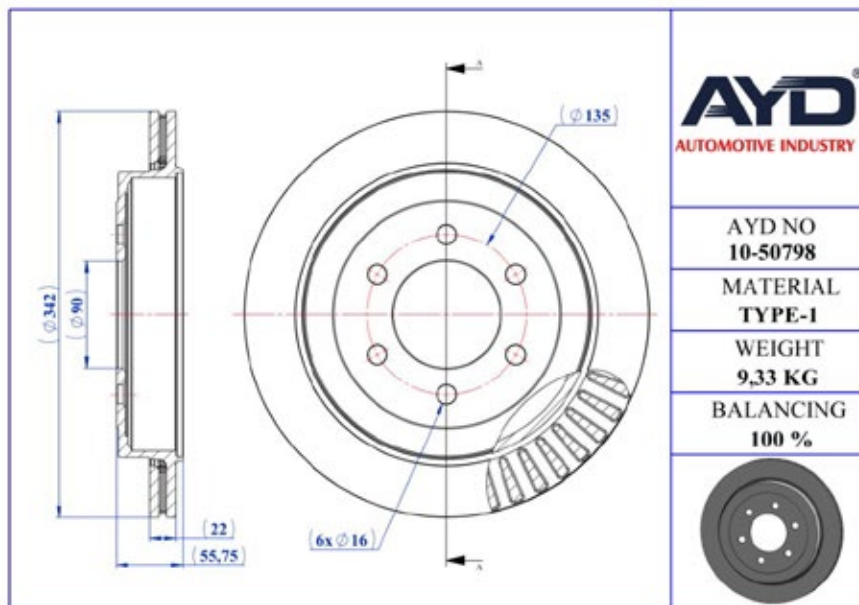
MODEL	START Y.	END Y.
CROWN VICTORIA	1997/09	2012/12



BRAKE DISC

- Rear Axle
- Vented

- Safety
- Performance
- OEM Standarts
- AYD Quality



OE:
CL1Z2C026A

10-50798

Technical Specifications:

Diameter (mm)	Height (mm)	Brake Disc Thickness (mm)	Min. Thickness (mm)	Centering Diameter (mm)	Bolt Hole Circle (mm)	Num. of Holes
342	55.75	22	20	90	135	6

FORD USA

MODEL	START Y.	END Y.
EXPEDITION	2006/09	

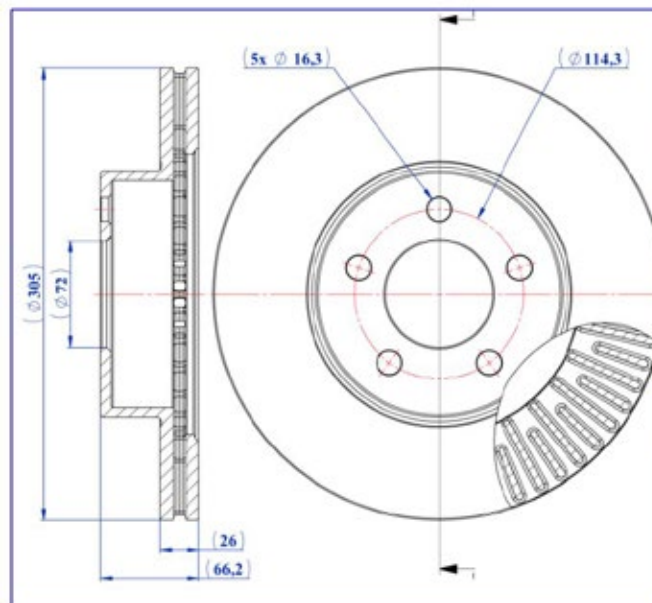


BRAKE DISC

- Front Axle
- Vented

- Safety
- Performance
- OEM Standarts
- AYD Quality

OE:
1L5Z1125AA
3L5Z1125AA



AYD
AUTOMOTIVE INDUSTRY

AYD NO
10-50801

MATERIAL
TYPE-1

WEIGHT
8.82 KG

BALANCING
100 %



10-50801

Technical Specifications:

Diameter (mm)	Height (mm)	Brake Disc Thickness (mm)	Min. Thickness (mm)	Centering Diameter (mm)	Bolt Hole Circle (mm)	Num. of Holes
305	66.2	26	24.5	72	114.3	5

FORD USA

MODEL	START Y.	END Y.
EXPLORER (U251)	2006/01	2010/12

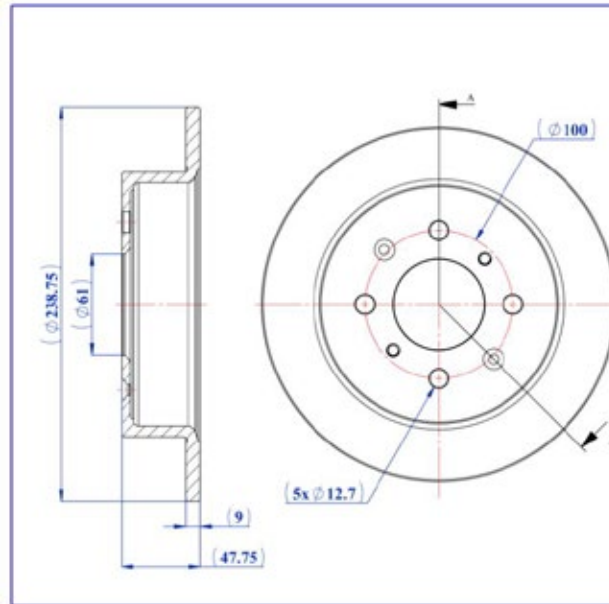


BRAKE DISC

- Rear Axle
- Solid

- Safety
- Performance
- OEM Standards
- AYD Quality

OE:
42510SK3305
42510SR3A10
42510SR3G00



AYD
AUTOMOTIVE INDUSTRY

AYD NO
10-50290

MATERIAL
TYPE-1

WEIGHT
3,18 KG

BALANCING
100 %



10-50290

Technical Specifications:

Diameter (mm)	Height (mm)	Brake Disc Thickness (mm)	Min. Thickness (mm)	Centering Diameter (mm)	Bolt Hole Circle (mm)	Num. of Holes
238.75	47.75	9	8	61	100	4+4

HONDA

MODEL	START Y.	END Y.
ACCORD III (CA)	1985/11	1989/12
ACCORD III Aerodeck (CA)	1985/11	1989/12
CIVIC IV Hatchback (EC, ED, EE)	1987/09	1993/10
CIVIC IV Sedan (ED)	1987/09	1993/10
CIVIC VI Aerodeck (MB, MC)	1998/04	2001/02
CIVIC VI Fastback (MA, MB)	1994/09	2001/02
CIVIC VI Hatchback (EJ, EK)	1995/10	2001/03
CONCERTO Sedan (HWW)	1989/08	1995/05
CRX II (ED, EE)	1987/10	1992/02
PRELUDE III (BA)	1986/04	1996/11

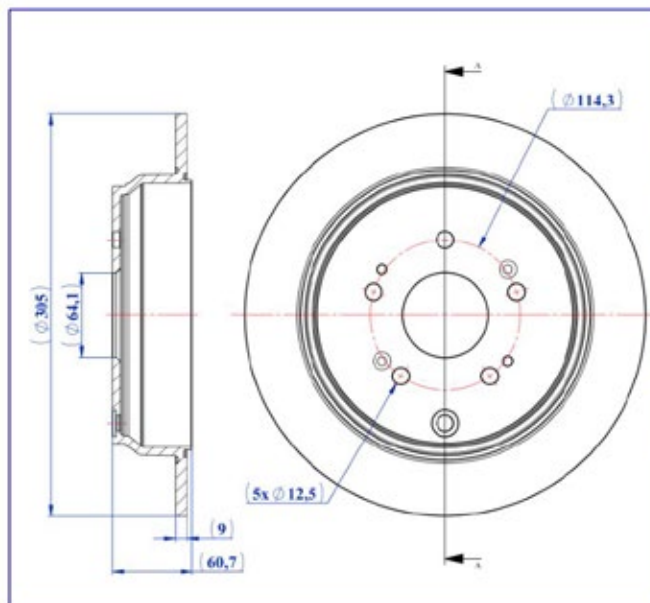


BRAKE DISC

- Rear Axle
- Solid

- Safety
- Performance
- OEM Standarts
- AYD Quality

OE:
42510SCAE50
42510S9AE50
42510SWWG01



AYD
AUTOMOTIVE INDUSTRY

AYD NO
10-50326

MATERIAL
TYPE-1

WEIGHT
5,05 KG

BALANCING
100 %



10-50326

Technical Specifications:

Diameter (mm)	Height (mm)	Brake Disc Thickness (mm)	Min. Thickness (mm)	Centering Diameter (mm)	Bolt Hole Circle (mm)	Num. of Holes
305	60.7	9	7.5	64.1	114.3	5+5

HONDA

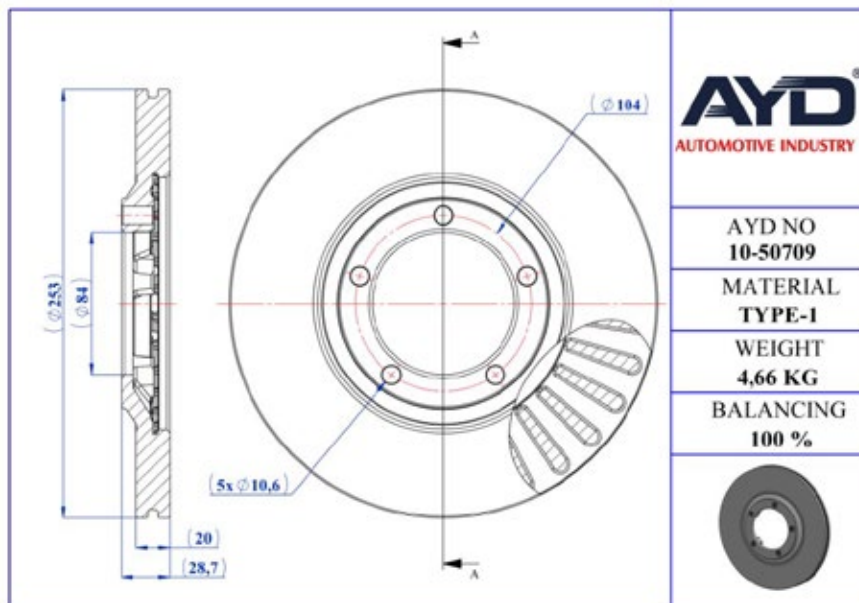
MODEL	START Y.	END Y.
CR-V II (RD_)	2001/09	2007/07



BRAKE DISC

- Front Axle
- Vented

- Safety
- Performance
- OEM Standarts
- AYD Quality



OE:
5812944010

10-50709

Technical Specifications:

Diameter (mm)	Height (mm)	Brake Disc Thickness (mm)	Min. Thickness (mm)	Centering Diameter (mm)	Bolt Hole Circle (mm)	Num. of Holes
253	28.7	20	18.4	84	104	5

HYUNDAI

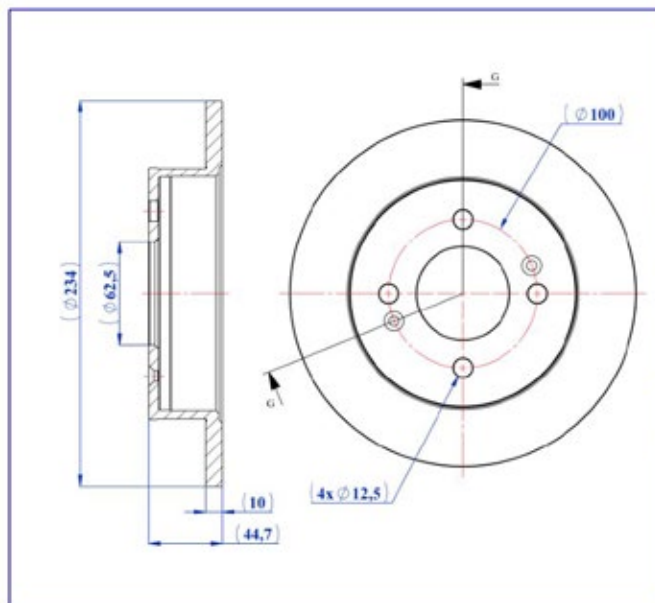
MODEL	START Y.	END Y.
H100 Minibus/Bus (P)	1993/07	2004/10
H100 Panelvan/Van	1993/07	2007/02
H100 Platform	1996/05	2001/10
H100 Platform	1993/07	1998/08
PORTER Minibus/Bus	1994/07	2004/04
PORTER Panelvan/Van	1994/07	2004/04
PORTER Platform	1994/07	2004/12



BRAKE DISC

- Rear Axle
- Solid

- Safety
- Performance
- OEM Standarts
- AYD Quality



AYD
AUTOMOTIVE INDUSTRY

AYD NO
10-50753

MATERIAL
TYPE-1

WEIGHT
3,03 KG

BALANCING
100 %



OE:
58411B9000
58411B4300

10-50753

Technical Specifications:

Diameter (mm)	Height (mm)	Brake Disc Thickness (mm)	Min. Thickness (mm)	Centering Diameter (mm)	Bolt Hole Circle (mm)	Num. of Holes
234	44.7	10	8.4	62.5	100	4+2

HYUNDAI

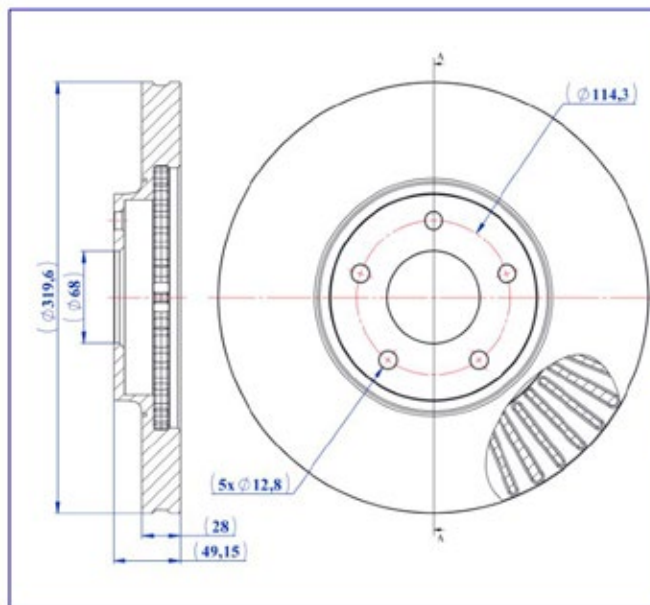
MODEL	START Y.	END Y.
i10 II (BA, IA)	2013/08	
i10 II Sedan	2013/12	



BRAKE DISC

- Front Axle
- Vented

- Safety
- Performance
- OEM Standarts
- AYD Quality



AYD
AUTOMOTIVE INDUSTRY

AYD NO
10-50661

MATERIAL
TYPE-1

WEIGHT
9,13 KG

BALANCING
100 %



OE:
40206CA000

10-50661

Technical Specifications:

Diameter (mm)	Height (mm)	Brake Disc Thickness (mm)	Min. Thickness (mm)	Centering Diameter (mm)	Bolt Hole Circle (mm)	Num. of Holes
319.6	49.15	28	26	68	114.3	5

INFINITI

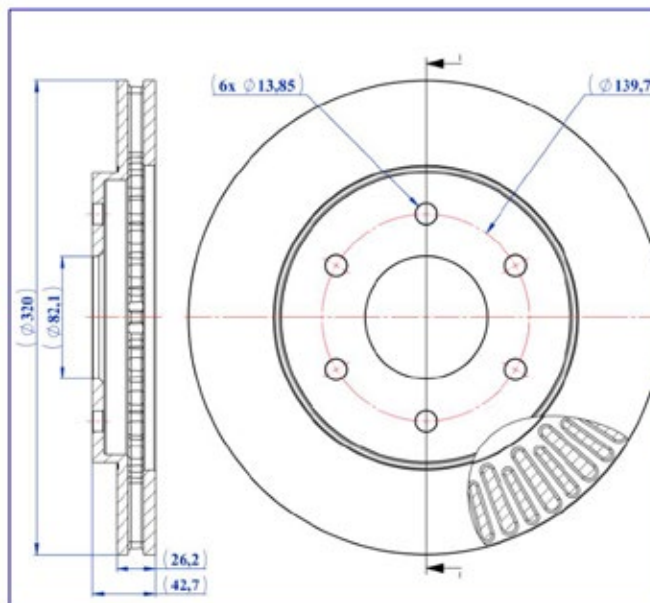
MODEL	START Y.	END Y.
EX	2007/09	
G Sedan	2007/01	
G Sedan	2002/08	
M (Y51)	2010/03	
M35	2005/01	
M37	2010/01	



BRAKE DISC

- Front Axle
- Vented

- Safety
- Performance
- OEM Standarts
- AYD Quality



AYD
AUTOMOTIVE INDUSTRY

AYD NO
10-50731

MATERIAL
TYPE-1

WEIGHT
8,64 KG

BALANCING
100 %



OE:
402067S000

10-50731

Technical Specifications:

Diameter (mm)	Height (mm)	Brake Disc Thickness (mm)	Min. Thickness (mm)	Centering Diameter (mm)	Bolt Hole Circle (mm)	Num. of Holes
320	42.7	26.2	24	82.1	139.7	6

INFINITI

MODEL	START Y.	END Y.
QX56	2003/09	2010/12

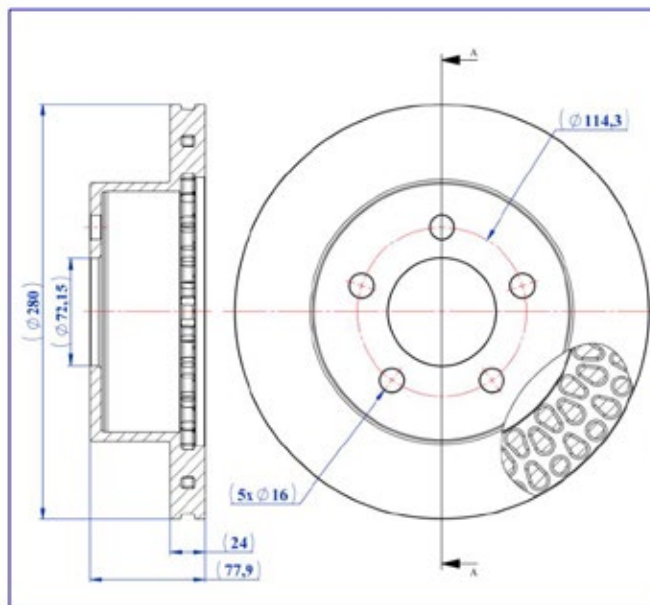


BRAKE DISC

- Front Axle
- Vented

- Safety
- Performance
- OEM Standarts
- AYD Quality

OE:
5016434AA
52008440AB
52005000



AYD
AUTOMOTIVE INDUSTRY

AYD NO
10-50724

MATERIAL
TYPE-1

WEIGHT
6,89 KG

BALANCING
100 %



10-50724

Technical Specifications:

Diameter (mm)	Height (mm)	Brake Disc Thickness (mm)	Min. Thickness (mm)	Centering Diameter (mm)	Bolt Hole Circle (mm)	Num. of Holes
280	77.9	24	22.7	72.15	114.3	5

JEEP

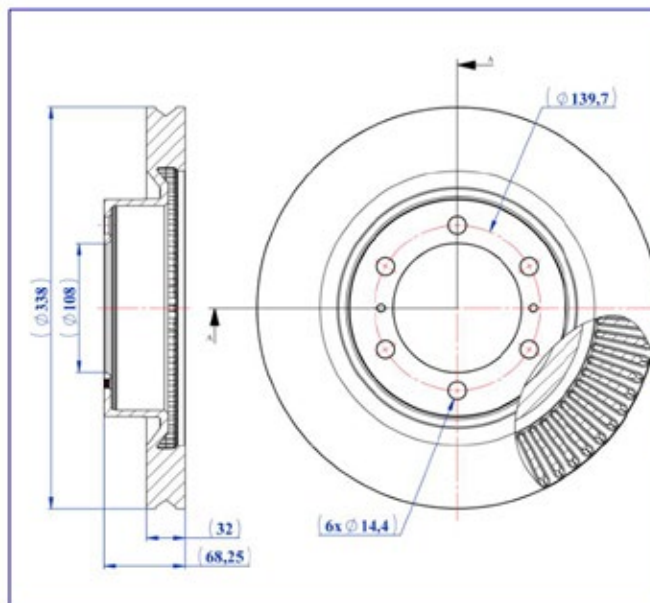
MODEL	START Y.	END Y.
CHEROKEE (XJ)	1983/09	2001/09
GRAND CHEROKEE I (ZJ, ZG)	1991/09	1999/04
WRANGLER I (YJ, SJ_)	1986/08	1996/08
WRANGLER II (TJ)	1996/08	2008/12



BRAKE DISC

- Front Axle
- Vented

- Safety
- Performance
- OEM Standarts
- AYD Quality



AYD
AUTOMOTIVE INDUSTRY

AYD NO
10-50792

MATERIAL
TYPE-1

WEIGHT
10,07 KG

BALANCING
100 %



OE:
4351260190
4351260191

10-50792

Technical Specifications:

Diameter (mm)	Height (mm)	Brake Disc Thickness (mm)	Min. Thickness (mm)	Centering Diameter (mm)	Bolt Hole Circle (mm)	Num. of Holes
338	68.25	32	29	108	139.7	6+2

LEXUS

MODEL	START Y.	END Y.
GX (URJ15_, GRJ15_)	2009/11	

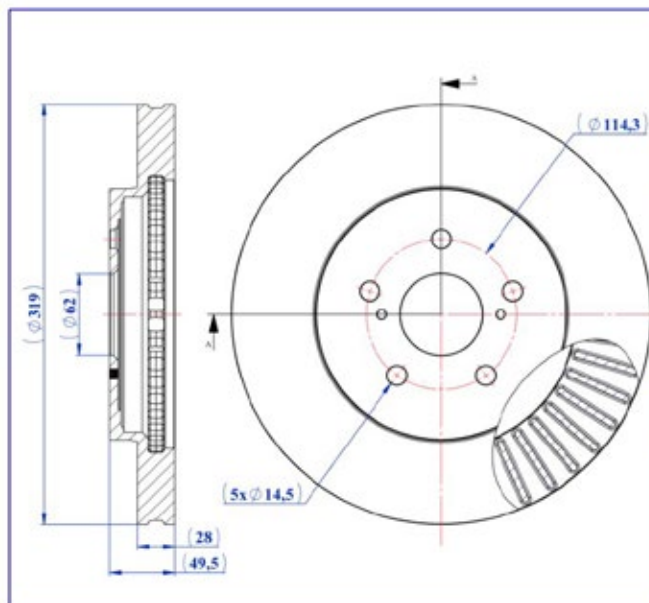


BRAKE DISC

- Front Axle
- Vented

- Safety
- Performance
- OEM Standards
- AYD Quality

OE:
4351248081
4351248100
435120E010



AYD
AUTOMOTIVE INDUSTRY

AYD NO
10-50796

MATERIAL
TYPE-1

WEIGHT
8,63 KG

BALANCING
100 %



10-50796

Technical Specifications:

Diameter (mm)	Height (mm)	Brake Disc Thickness (mm)	Min. Thickness (mm)	Centering Diameter (mm)	Bolt Hole Circle (mm)	Num. of Holes
319	49.5	28	26	62	114.3	5+2

LEXUS

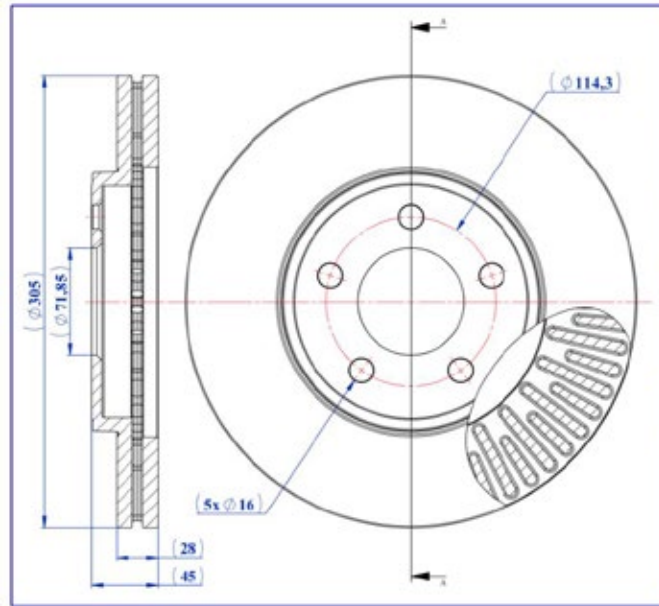
MODEL	START Y.	END Y.
RX (_U3_)	2003/02	2008/12



BRAKE DISC

- Front Axle
- Vented

- Safety
- Performance
- OEM Standarts
- AYD Quality



AYD
AUTOMOTIVE INDUSTRY

AYD NO
10-50794

MATERIAL
TYPE-1

WEIGHT
9,82 KG

BALANCING
100 %



OE:
3W1Z1125AB

10-50794

Technical Specifications:

Diameter (mm)	Height (mm)	Brake Disc Thickness (mm)	Min. Thickness (mm)	Centering Diameter (mm)	Bolt Hole Circle (mm)	Num. of Holes
305	45	28	26.35	71.85	114.3	5

LINCOLN

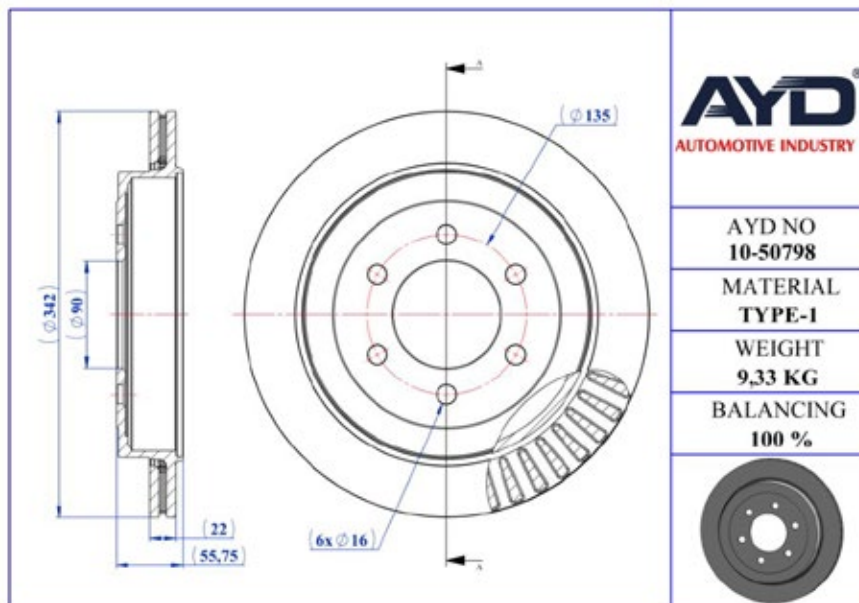
MODEL	START Y.	END Y.
TOWN CAR III	1996/11	2011/12



BRAKE DISC

- Rear Axle
- Vented

- Safety
- Performance
- OEM Standards
- AYD Quality



AYD
AUTOMOTIVE INDUSTRY

AYD NO
10-50798

MATERIAL
TYPE-1

WEIGHT
9,33 KG

BALANCING
100 %



OE:
CL1Z2C026A

10-50798

Technical Specifications:

Diameter (mm)	Height (mm)	Brake Disc Thickness (mm)	Min. Thickness (mm)	Centering Diameter (mm)	Bolt Hole Circle (mm)	Num. of Holes
342	55.75	22	20	90	135	6

LINCOLN

MODEL	START Y.	END Y.
NAVIGATOR (U326)	2006/09	2017/11

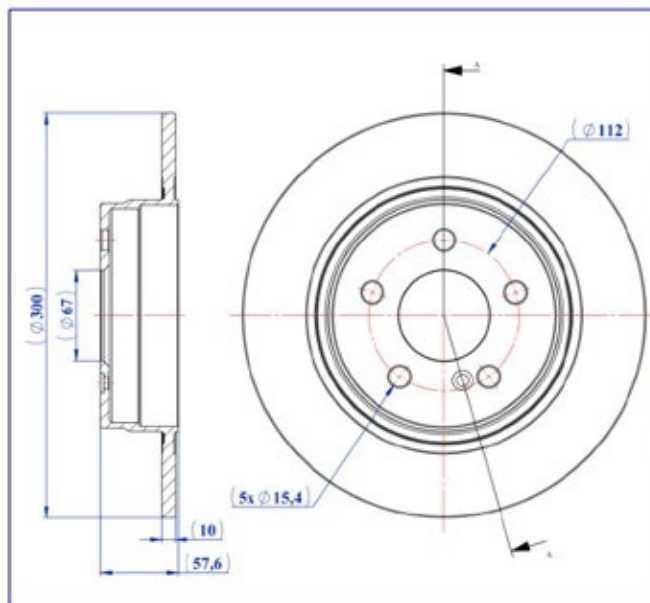


BRAKE DISC

- Rear Axle
- Solid

- Safety
- Performance
- OEM Standarts
- AYD Quality

OE:
2044230612
A2044230612
2044231512



AYD
AUTOMOTIVE INDUSTRY

AYD NO
10-50349

MATERIAL
TYPE-1

WEIGHT
4,96 KG

BALANCING
100 %



10-50349

Technical Specifications:

Diameter (mm)	Height (mm)	Brake Disc Thickness (mm)	Min. Thickness (mm)	Centering Diameter (mm)	Bolt Hole Circle (mm)	Num. of Holes
300	57.6	10	8.3	67	112	5+1

MERCEDES-BENZ

MODEL	START Y.	END Y.
C-SERISI (W204)	2007/01	2015/01
C-SERISI Coupe (C204)	2011/01	
C-SERISI T-Model (S204)	2007/08	2014/08
E-SERISI Cabrio (A207)	2010/01	2016/12
E-SERISI Coupe (C207)	2009/01	2016/12

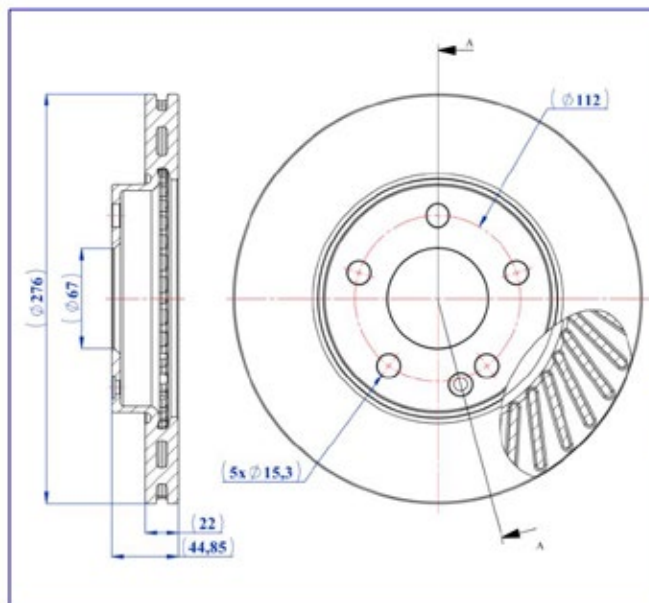
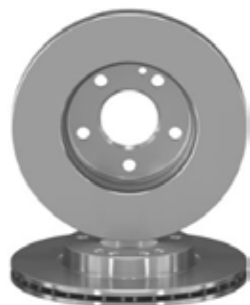


BRAKE DISC

- Front Axle
- Vented

- Safety
- Performance
- OEM Standarts
- AYD Quality

OE:
A1694210812
A1694210112
1694210812



AYD
AUTOMOTIVE INDUSTRY

AYD NO
10-50354

MATERIAL
TYPE-1

WEIGHT
5.83 KG

BALANCING
100 %



10-50354

Technical Specifications:

Diameter (mm)	Height (mm)	Brake Disc Thickness (mm)	Min. Thickness (mm)	Centering Diameter (mm)	Bolt Hole Circle (mm)	Num. of Holes
276	44.85	22	19.4	67	112	5+1

MERCEDES-BENZ

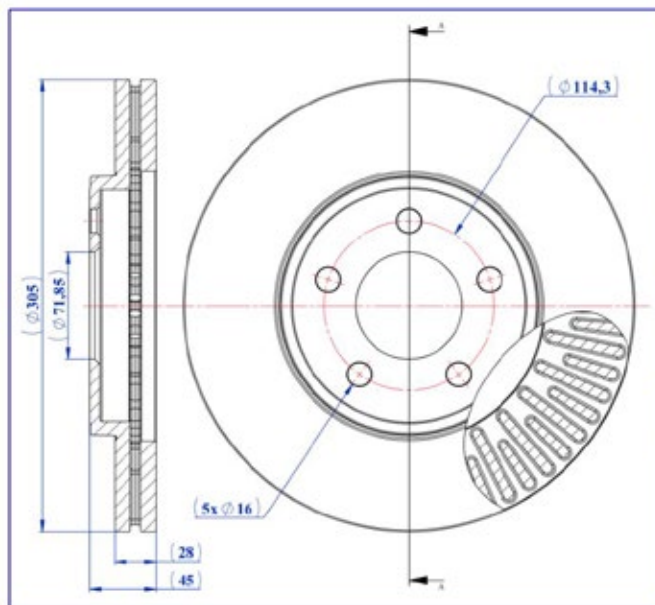
MODEL	START Y.	END Y.
A-SERISI (W169)	2004/04	2012/06
B-SERISI Sports Tourer (W245)	2005/03	2011/11



BRAKE DISC

- Front Axle
- Vented

- Safety
- Performance
- OEM Standards
- AYD Quality



AYD
AUTOMOTIVE INDUSTRY

AYD NO
10-50794

MATERIAL
TYPE-1

WEIGHT
9,82 KG

BALANCING
100 %



OE:
3W1Z1125AB

10-50794

Technical Specifications:

Diameter (mm)	Height (mm)	Brake Disc Thickness (mm)	Min. Thickness (mm)	Centering Diameter (mm)	Bolt Hole Circle (mm)	Num. of Holes
305	45	28	26.35	71.85	114.3	5

MERCURY

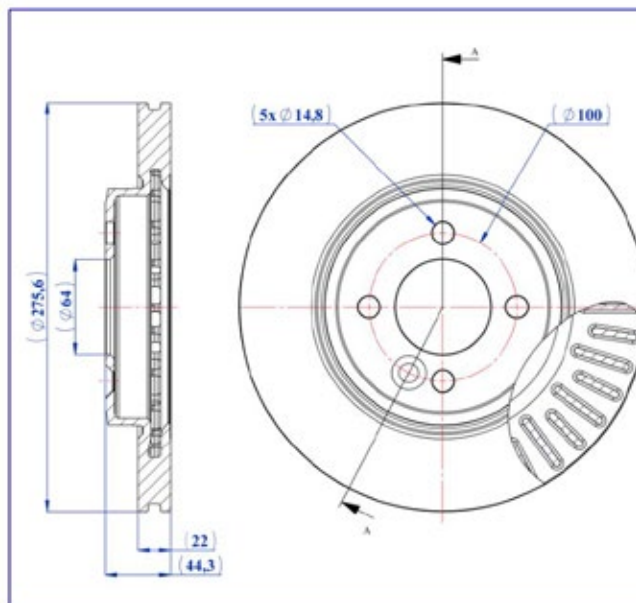
MODEL	START Y.	END Y.
GRAND MARQUIS Sedan	2001/09	2011/12



BRAKE DISC

- Front Axle
- Vented

- Safety
- Performance
- OEM Standards
- AYD Quality



AYD
AUTOMOTIVE INDUSTRY

AYD NO
10-50325

MATERIAL
TYPE-1

WEIGHT
5,36 KG

BALANCING
100 %



OE:
34111502891

10-50325

Technical Specifications:

Diameter (mm)	Height (mm)	Brake Disc Thickness (mm)	Min. Thickness (mm)	Centering Diameter (mm)	Bolt Hole Circle (mm)	Num. of Holes
275.6	44.3	22	20.4	64	100	5+1

MINI

MODEL	START Y.	END Y.
MINI (R50, R53)	2001/06	2006/09
MINI Cabrio (R52)	2004/04	2008/07

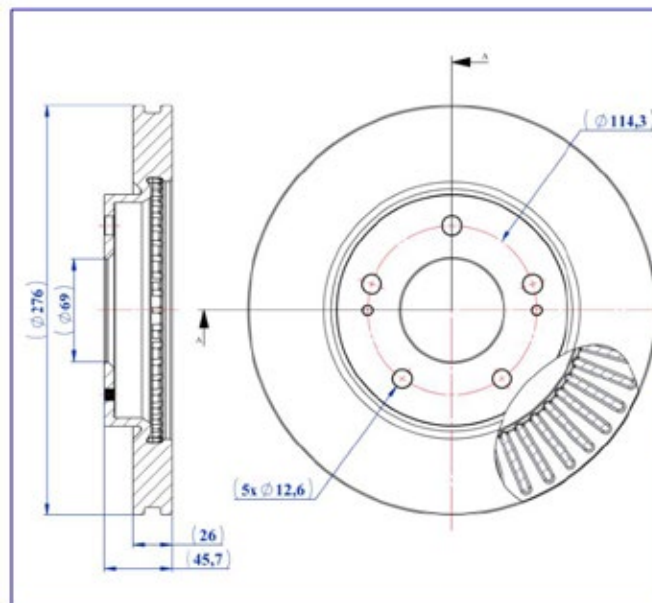
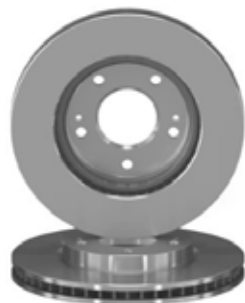


BRAKE DISC

- Front Axle
- Vented

- Safety
- Performance
- OEM Standarts
- AYD Quality

OE:
4615A069
MR493550
MR493551



AYD
AUTOMOTIVE INDUSTRY

AYD NO
10-50795

MATERIAL
TYPE-1

WEIGHT
6.03 KG

BALANCING
100 %



10-50795

Technical Specifications:

Diameter (mm)	Height (mm)	Brake Disc Thickness (mm)	Min. Thickness (mm)	Centering Diameter (mm)	Bolt Hole Circle (mm)	Num. of Holes
276	45.7	26	24.4	69	114.3	5+2

MITSUBISHI

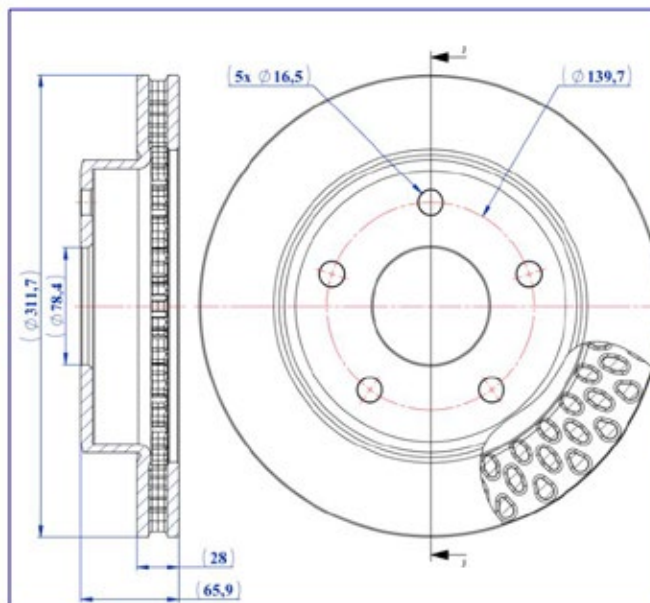
MODEL	START Y.	END Y.
GALANT IX Sedan (DJ_, ED_, EF_)	2003/10	
LANCER VII (CS_A, CT_A)	2000/03	2013/12
LANCER VII Station wagon (CS_W, CT_W)	2003/09	2008/12
OUTLANDER I (CU_W)	2001/03	2008/07
SPACE RUNNER (N6_W)	1999/08	2003/01



BRAKE DISC

- Front Axle
- Vented

- Safety
- Performance
- OEM Standarts
- AYD Quality



AYD
AUTOMOTIVE INDUSTRY

AYD NO
10-50806

MATERIAL
TYPE-1

WEIGHT
8,31 KG

BALANCING
100 %



OE:
52855005AB

10-50806

Technical Specifications:

Diameter (mm)	Height (mm)	Brake Disc Thickness (mm)	Min. Thickness (mm)	Centering Diameter (mm)	Bolt Hole Circle (mm)	Num. of Holes
311.7	65.9	28	26	78.4	139.7	5

MITSUBISHI

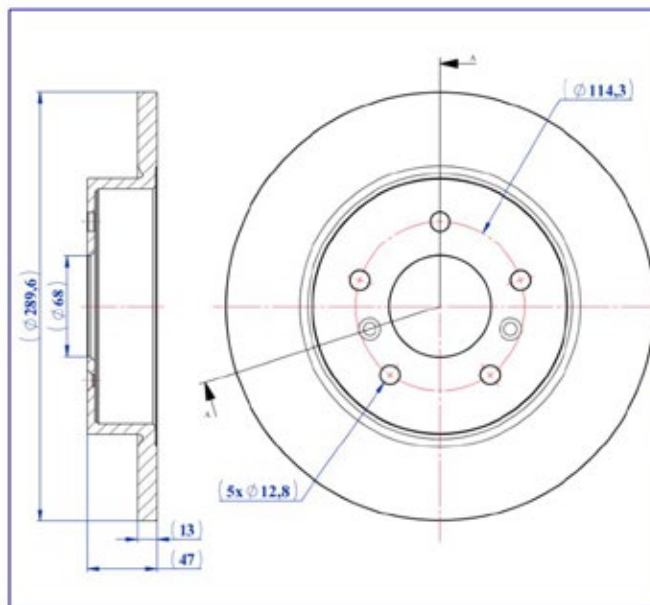
MODEL	START Y.	END Y.
RAIDER Pick-up	2005/09	2009/12



BRAKE DISC

- Rear Axle
- Solid

- Safety
- Performance
- OEM Standarts
- AYD Quality



AYD
AUTOMOTIVE INDUSTRY

AYD NO
10-50454

MATERIAL
TYPE-1

WEIGHT
5,67 KG

BALANCING
100 %



OE:
432064EA0A
432064EA0B

10-50454

Technical Specifications:

Diameter (mm)	Height (mm)	Brake Disc Thickness (mm)	Min. Thickness (mm)	Centering Diameter (mm)	Bolt Hole Circle (mm)	Num. of Holes
289.6	47	13	11	68	114.3	5+2

NISSAN

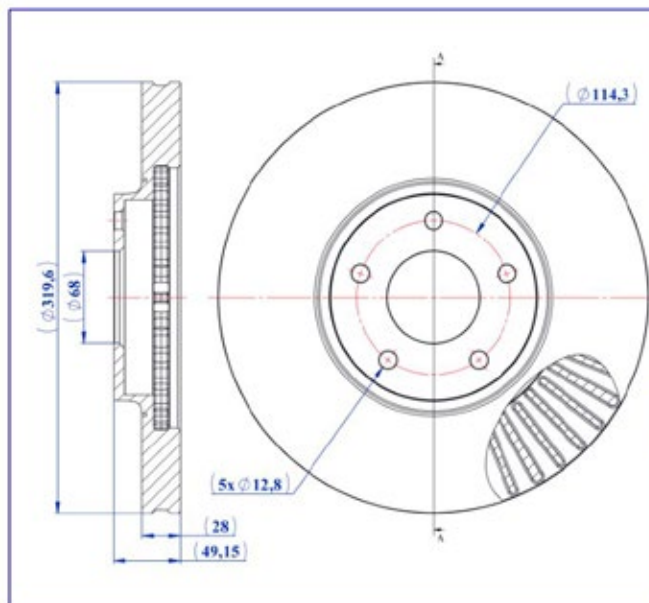
MODEL	START Y.	END Y.
QASHQAI II SUV (J11, J11_)	2013/11	



BRAKE DISC

- Front Axle
- Vented

- Safety
- Performance
- OEM Standarts
- AYD Quality



AYD
AUTOMOTIVE INDUSTRY

AYD NO
10-50661

MATERIAL
TYPE-1

WEIGHT
9,13 KG

BALANCING
100 %



OE:
40206CA000

10-50661

Technical Specifications:

Diameter (mm)	Height (mm)	Brake Disc Thickness (mm)	Min. Thickness (mm)	Centering Diameter (mm)	Bolt Hole Circle (mm)	Num. of Holes
319.6	49.15	28	26	68	114.3	5

NISSAN

MODEL	START Y.	END Y.
MURANO I (Z50)	2002/04	2009/12
MURANO II (Z51)	2007/10	2014/09

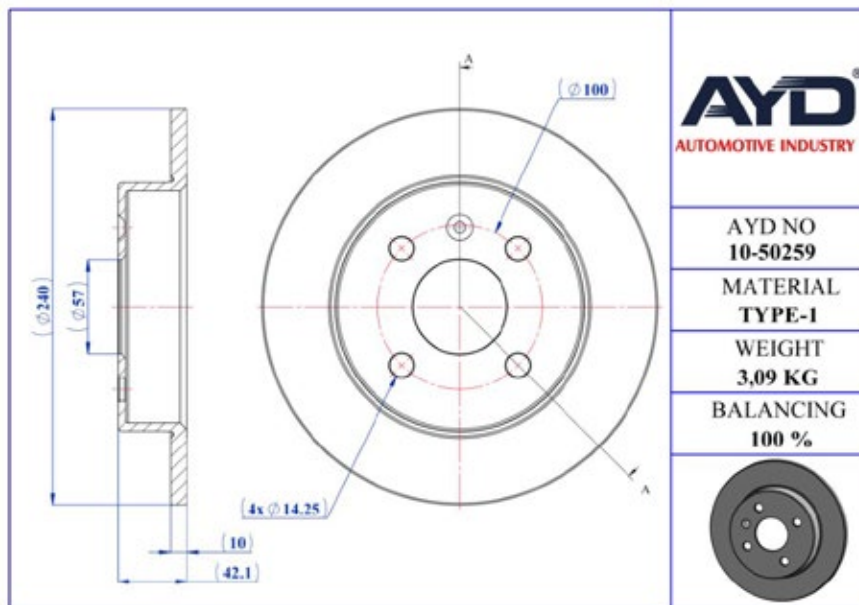


BRAKE DISC

- Rear Axle
- Solid

- Safety
- Performance
- OEM Standarts
- AYD Quality

OE:
9196587
90498304
569111



AYD
AUTOMOTIVE INDUSTRY

AYD NO
10-50259

MATERIAL
TYPE-1

WEIGHT
3,09 KG

BALANCING
100 %



10-50259

Technical Specifications:

Diameter (mm)	Height (mm)	Brake Disc Thickness (mm)	Min. Thickness (mm)	Centering Diameter (mm)	Bolt Hole Circle (mm)	Num. of Holes
240	42.1	10	8	57	100	4+1

OPEL

MODEL	START Y.	END Y.
ASTRA F Cabrio (T92)	1993/03	2001/03
ASTRA F CLASSIC Hatchback (T92)	1998/01	2002/08
ASTRA F CLASSIC Sedan (T92)	1998/01	2002/08
ASTRA F CLASSIC Station wagon (T92)	1998/01	2005/01
ASTRA G CLASSIC (T98)	2004/03	2009/07
ASTRA G CLASSIC Caravan (F35)	2004/03	2009/07
ASTRA G CLASSIC Sedan (T98)	2004/03	2009/07
ASTRA G Combi van (F70)	1998/09	2005/04
ASTRA G Coupe (T98)	2000/03	2005/05
ASTRA G Hatchback (T98)	1998/02	2009/12
ASTRA G Sedan (T98)	1998/03	2009/12

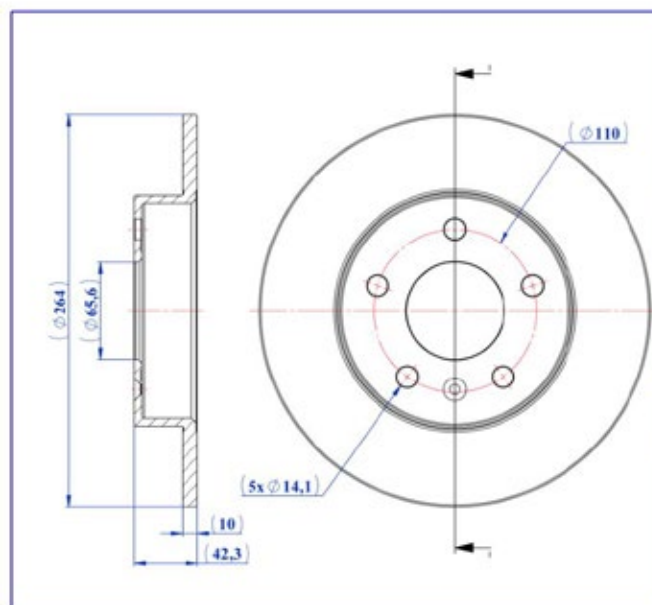
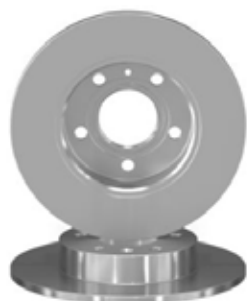


BRAKE DISC

- Rear Axle
- Solid

- Safety
- Performance
- OEM Standards
- AYD Quality

OE:
95526658
9117772
569109



AYD
AUTOMOTIVE INDUSTRY

AYD NO
10-50311

MATERIAL
TYPE-1

WEIGHT
3,76 KG

BALANCING
100 %



10-50311

Technical Specifications:

Diameter (mm)	Height (mm)	Brake Disc Thickness (mm)	Min. Thickness (mm)	Centering Diameter (mm)	Bolt Hole Circle (mm)	Num. of Holes
264	42.3	10	8	65.6	110	5+1

OPEL

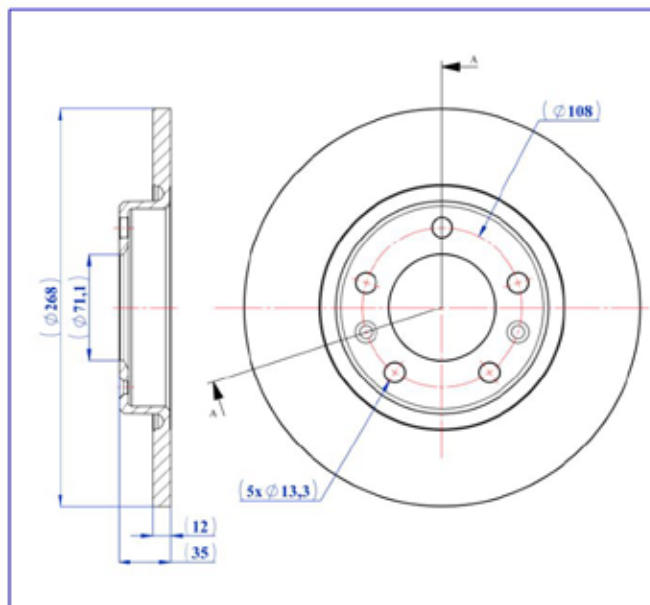
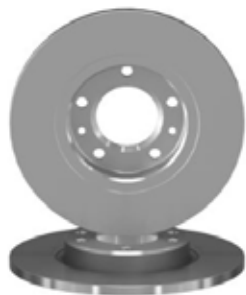
MODEL	START Y.	END Y.
ASTRA G Cabrio (T98)	2001/03	2005/10
ASTRA G Coupe (T98)	2000/03	2005/05
ASTRA G Hatchback (T98)	1998/02	2009/12
ASTRA G Sedan (T98)	1998/03	2009/12
ASTRA G Station wagon (T98)	1998/02	2004/07



BRAKE DISC

- Rear Axle
- Solid

- Safety
- Performance
- OEM Standarts
- AYD Quality



AYD NO
10-50483

MATERIAL
TYPE-1

WEIGHT
4,24 KG

BALANCING
100 %



OE:
3642786

10-50483

Technical Specifications:

Diameter (mm)	Height (mm)	Brake Disc Thickness (mm)	Min. Thickness (mm)	Centering Diameter (mm)	Bolt Hole Circle (mm)	Num. of Holes
268	35	12	10	71.1	108	5+2

OPEL

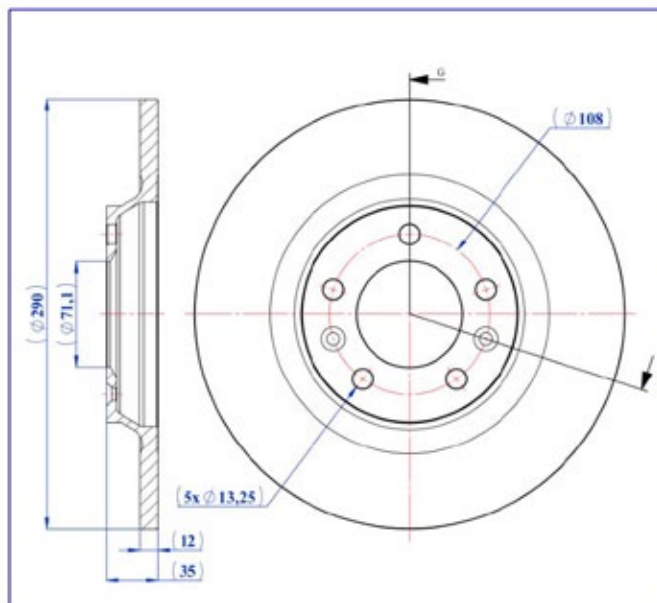
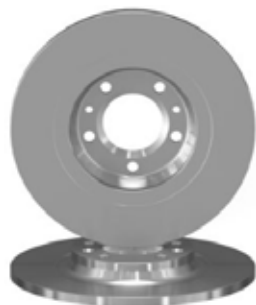
MODEL	START Y.	END Y.
COMBO E Tour / Life (K9)	2018/06	
GRANDLAND / GRANDLAND X (A18, P1UO)	2017/06	



BRAKE DISC

- Rear Axle
- Solid

- Safety
- Performance
- OEM Standards
- AYD Quality



AYD
AUTOMOTIVE INDUSTRY

AYD NO
10-50315

MATERIAL
TYPE-1

WEIGHT
4,98 KG

BALANCING
100 %



OE:
1618861880

10-50315

Technical Specifications:

Diameter (mm)	Height (mm)	Brake Disc Thickness (mm)	Min. Thickness (mm)	Centering Diameter (mm)	Bolt Hole Circle (mm)	Num. of Holes
290	35	12	10	71.1	108	5+2

PEUGEOT

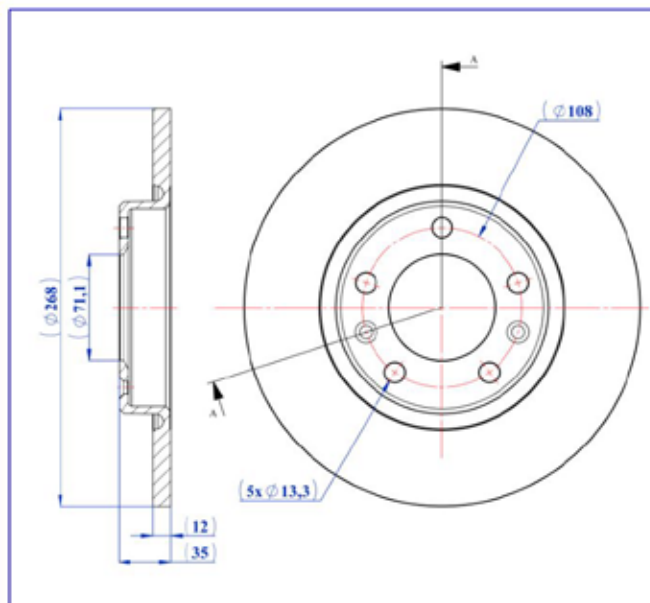
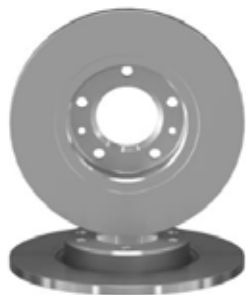
MODEL	START Y.	END Y.
407 (6D_)	2004/02	2011/12
407 SW (6E_)	2004/05	2011/12
407 SW Combi van (6E_)	2004/08	2010/12
508 I (8D_)	2010/11	2018/12
508 SW Combi van (8E_)	2011/11	
508 SW I (8E_)	2010/11	2018/12
607 (9D, 9U)	2000/01	
RCZ	2010/03	2015/12



BRAKE DISC

- Rear Axle
- Solid

- Safety
- Performance
- OEM Standards
- AYD Quality



AYD
AUTOMOTIVE INDUSTRY

AYD NO
10-50483

MATERIAL
TYPE-1

WEIGHT
4,24 KG

BALANCING
100 %



OE:
1609582880

10-50483

Technical Specifications:

Diameter (mm)	Height (mm)	Brake Disc Thickness (mm)	Min. Thickness (mm)	Centering Diameter (mm)	Bolt Hole Circle (mm)	Num. of Holes
268	35	12	10	71.1	108	5+2

PEUGEOT

MODEL	START Y.	END Y.
3008 SUV (MC_, MR_, MJ_, M4_)	2016/05	
3008 Van (MR_, MC_, MJ_)	2016/05	
308 II (LB_, LP_, LW_, LH_, L3_)	2013/09	2021/06
308 SW II (LC_, LJ_, LR_, LX_, L4_)	2014/03	2021/06
308 SW II Combi van (LC_)	2014/04	
308 Van (LB_)	2015/03	
508 II (FB_, FH_, F3_)	2018/09	
508 SW II (FC_, FJ_, F4_)	2018/09	
RIFTER	2018/09	



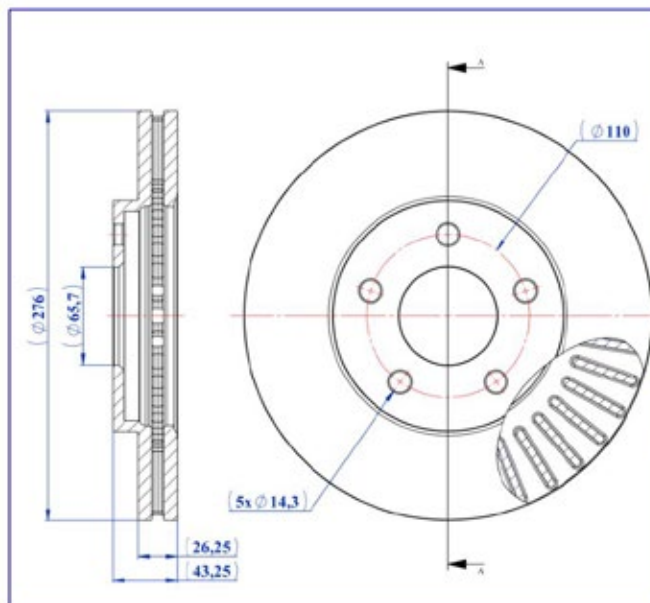
BRAKE DISC

- Front Axle
- Vented

- Safety
- Performance
- OEM Standards
- AYD Quality

OE:
25797351

10-50789



AYD
AUTOMOTIVE INDUSTRY

AYD NO
10-50789

MATERIAL
TYPE-1

WEIGHT
7,16 KG

BALANCING
100 %



Technical Specifications:

Diameter (mm)	Height (mm)	Brake Disc Thickness (mm)	Min. Thickness (mm)	Centering Diameter (mm)	Bolt Hole Circle (mm)	Num. of Holes
276	43.25	26.25	23	65.7	110	5

PONTIAC

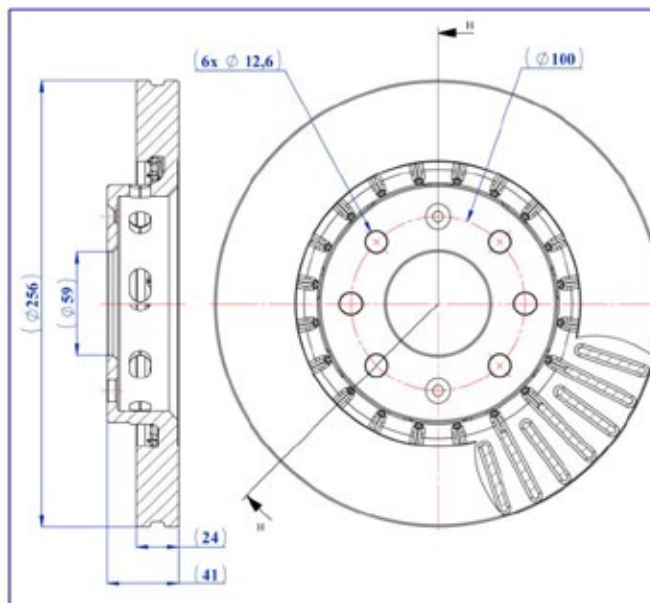
MODEL	START Y.	END Y.
G6	2004/03	2010/12



BRAKE DISC

- Front Axle
- Vented

- Safety
- Performance
- OEM Standarts
- AYD Quality



AYD
AUTOMOTIVE INDUSTRY

AYD NO
10-50802

MATERIAL
TYPE-1

WEIGHT
5,37 KG

BALANCING
100 %



OE:
96534660

10-50802

Technical Specifications:

Diameter (mm)	Height (mm)	Brake Disc Thickness (mm)	Min. Thickness (mm)	Centering Diameter (mm)	Bolt Hole Circle (mm)	Num. of Holes
256	41	24	22	59	100	6+2

PONTIAC

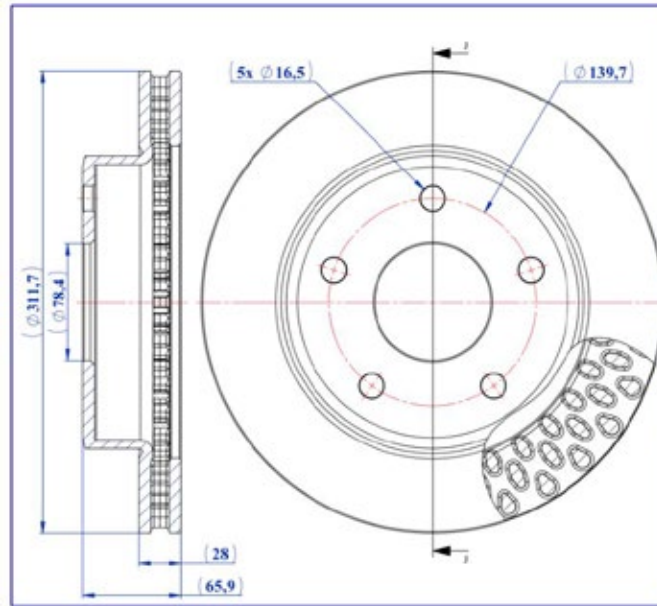
MODEL	START Y.	END Y.
G3	2005/03	2010/12
G3 Hatchback	2008/06	2009/12



BRAKE DISC

- Front Axle
- Vented

- Safety
- Performance
- OEM Standards
- AYD Quality



AYD
AUTOMOTIVE INDUSTRY

AYD NO
10-50806

MATERIAL
TYPE-1

WEIGHT
8,31 KG

BALANCING
100 %



OE:
52855005AB

10-50806

Technical Specifications:

Diameter (mm)	Height (mm)	Brake Disc Thickness (mm)	Min. Thickness (mm)	Centering Diameter (mm)	Bolt Hole Circle (mm)	Num. of Holes
311.7	65.9	28	26	78.4	139.7	5

RAM

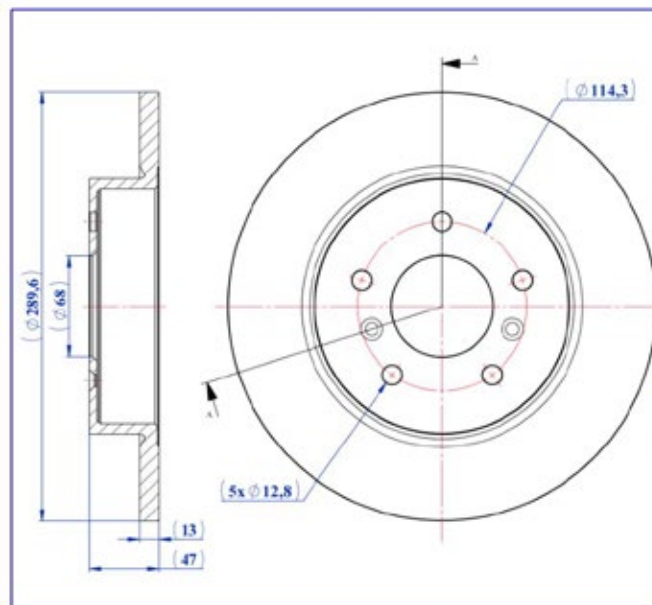
MODEL	START Y.	END Y.
DAKOTA	2005/09	2012/12



BRAKE DISC

- Rear Axle
- Solid

- Safety
- Performance
- OEM Standarts
- AYD Quality



AYD
AUTOMOTIVE INDUSTRY

AYD NO
10-50454

MATERIAL
TYPE-1

WEIGHT
5,67 KG

BALANCING
100 %



OE:
432068231R

10-50454

Technical Specifications:

Diameter (mm)	Height (mm)	Brake Disc Thickness (mm)	Min. Thickness (mm)	Centering Diameter (mm)	Bolt Hole Circle (mm)	Num. of Holes
289.6	47	13	11	68	114.3	5+2

RENAULT

MODEL	START Y.	END Y.
KADJAR (HA_, HL_)	2015/06	

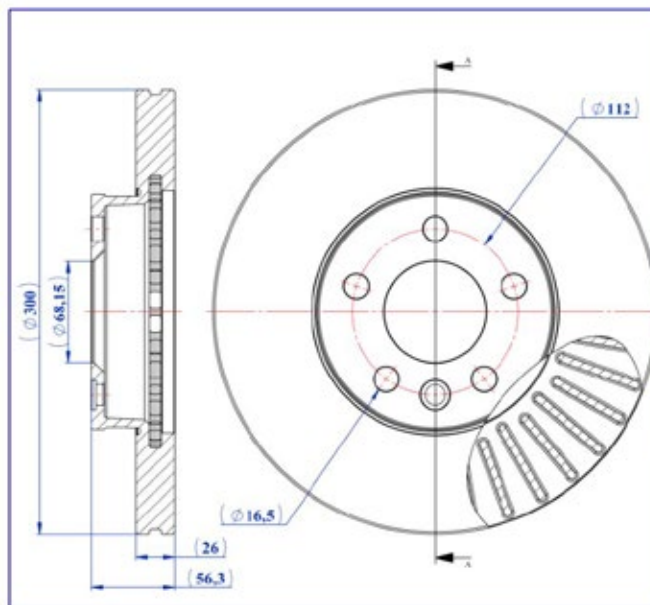


BRAKE DISC

- Front Axle
- Vented

- Safety
- Performance
- OEM Standarts
- AYD Quality

OE:
7M3615301A
7D0615301B
7D0615301



AYD
AUTOMOTIVE INDUSTRY

AYD NO
10-50348

MATERIAL
TYPE-1

WEIGHT
8,67 KG

BALANCING
100 %



10-50348

Technical Specifications:

Diameter (mm)	Height (mm)	Brake Disc Thickness (mm)	Min. Thickness (mm)	Centering Diameter (mm)	Bolt Hole Circle (mm)	Num. of Holes
300	56.3	26	22	68.15	112	5+1

SEAT

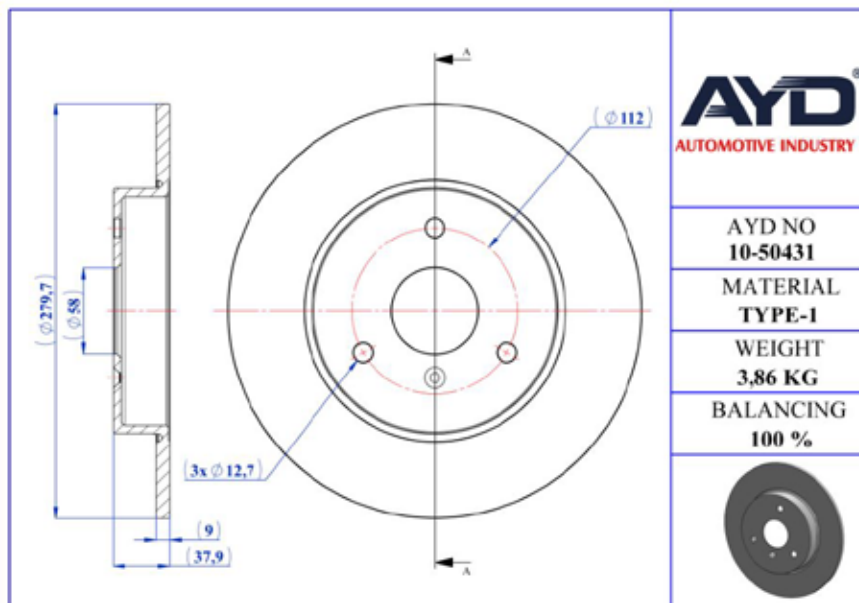
MODEL	START Y.	END Y.
ALHAMBRA (7V8, 7V9)	1996/04	2010/03



BRAKE DISC

- Front Axle
- Solid

- Safety
- Performance
- OEM Standarts
- AYD Quality



AYD
AUTOMOTIVE INDUSTRY

AYD NO
10-50431

MATERIAL
TYPE-1

WEIGHT
3,86 KG

BALANCING
100 %



OE:
0004341V002000000
0004341V001
0004341V002

10-50431

Technical Specifications:

Diameter (mm)	Height (mm)	Brake Disc Thickness (mm)	Min. Thickness (mm)	Centering Diameter (mm)	Bolt Hole Circle (mm)	Num. of Holes
279.7	37.9	9	8	58	112	3+1

SMART

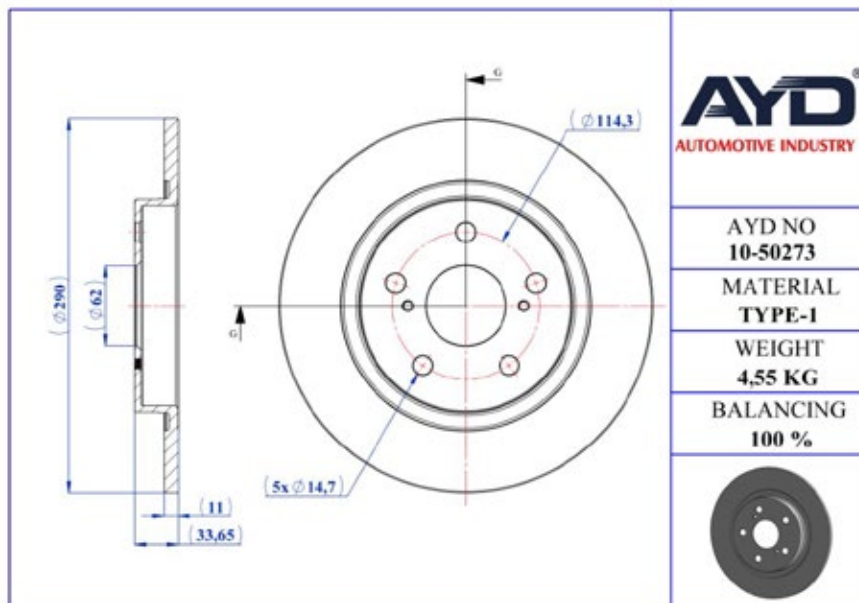
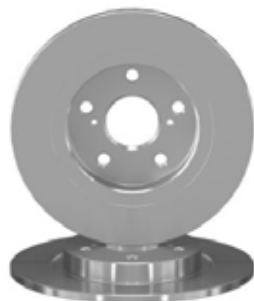
MODEL	START Y.	END Y.
CABRIO (450)	2000/03	2004/01
CITY-COUCPE (450)	1998/07	2004/01
CROSSBLADE (450)	2002/06	2003/12
FORTWO Cabrio (450)	2004/01	2007/01
FORTWO Cabrio (451)	2007/01	
FORTWO Coupe (450)	2004/01	2007/02
FORTWO Coupe (451)	2007/01	
ROADSTER (452)	2003/04	2005/11
ROADSTER Coupe (452)	2003/04	2005/11



BRAKE DISC

- Rear Axle
- Solid

- Safety
- Performance
- OEM Standarts
- AYD Quality



OE:
4243105070

10-50273

Technical Specifications:

Diameter (mm)	Height (mm)	Brake Disc Thickness (mm)	Min. Thickness (mm)	Centering Diameter (mm)	Bolt Hole Circle (mm)	Num. of Holes
290	33.65	11	9	62	114.3	5+2

TOYOTA

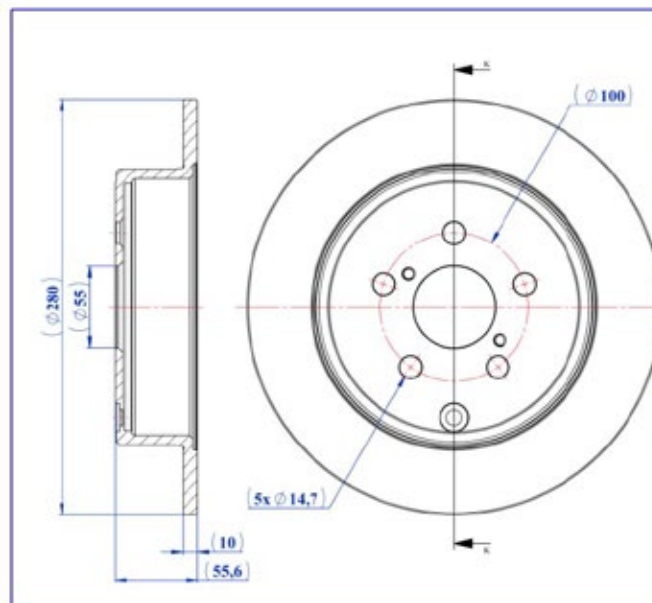
MODEL	START Y.	END Y.
AVENSIS Sedan (_T27_)	2008/11	2018/10
AVENSIS Station wagon (_T27_)	2008/11	2018/10



BRAKE DISC

- Rear Axle
- Solid

- Safety
- Performance
- OEM Standards
- AYD Quality



AYD
AUTOMOTIVE INDUSTRY

AYD NO
10-50302

MATERIAL
TYPE-1

WEIGHT
4,63 KG

BALANCING
100 %



OE:
4243105030
4243105060

10-50302

Technical Specifications:

Diameter (mm)	Height (mm)	Brake Disc Thickness (mm)	Min. Thickness (mm)	Centering Diameter (mm)	Bolt Hole Circle (mm)	Num. of Holes
280	55.6	10	9	55	100	5+3

TOYOTA

MODEL	START Y.	END Y.
AVENSIS (_T25_)	2003/03	2008/11
AVENSIS Sedan (_T25_)	2003/01	2008/11
AVENSIS Station wagon (_T25_)	2003/04	2008/11

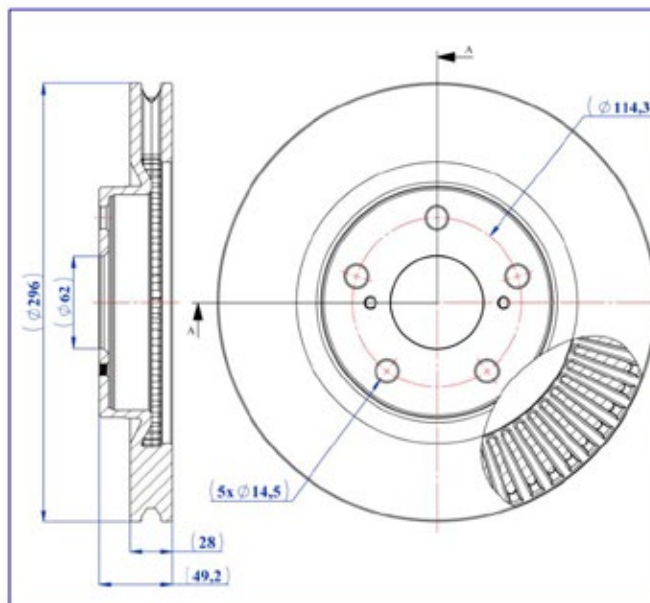


BRAKE DISC

- Front Axle
- Vented

- Safety
- Performance
- OEM Standards
- AYD Quality

OE:
4351242050
4351242100
4351242090



AYD
AUTOMOTIVE INDUSTRY

AYD NO
10-50407

MATERIAL
TYPE-1

WEIGHT
7,42 KG

BALANCING
100 %



10-50407

Technical Specifications:

Diameter (mm)	Height (mm)	Brake Disc Thickness (mm)	Min. Thickness (mm)	Centering Diameter (mm)	Bolt Hole Circle (mm)	Num. of Holes
296	49.2	28	25	62	114.3	5+2

TOYOTA

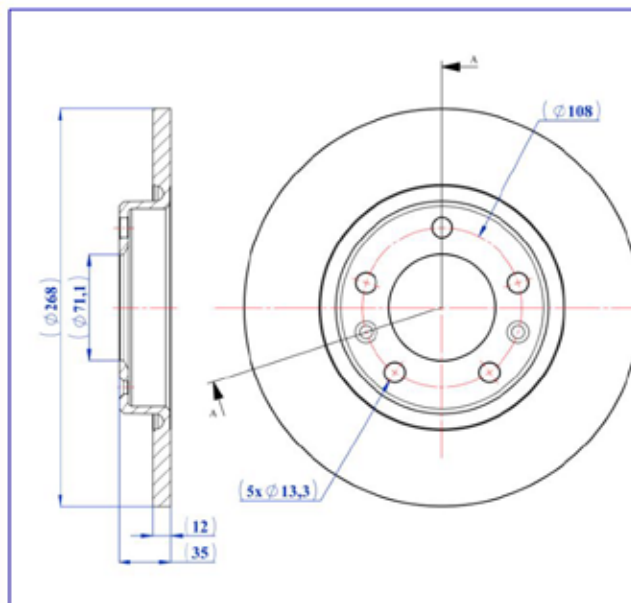
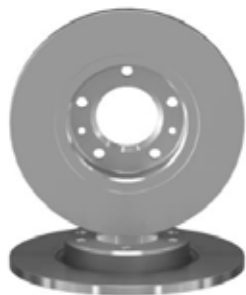
MODEL	START Y.	END Y.
AURIS (_E15_)	2006/10	2012/09
AURIS (_E18_)	2012/10	2018/12
AURIS Station wagon (_E18_)	2013/07	2018/12
CAMRY Sedan (_V4_)	2006/01	2014/12
MIRAI (JPD1_)	2014/12	2020/05
PRIUS PLUS (_W4_)	2011/05	



BRAKE DISC

- Rear Axle
- Solid

- Safety
- Performance
- OEM Standarts
- AYD Quality



AYD NO
10-50483

MATERIAL
TYPE-1

WEIGHT
4,24 KG

BALANCING
100 %



OE:
SU001A8514

10-50483

Technical Specifications:

Diameter (mm)	Height (mm)	Brake Disc Thickness (mm)	Min. Thickness (mm)	Centering Diameter (mm)	Bolt Hole Circle (mm)	Num. of Holes
268	35	12	10	71.1	108	5+2

TOYOTA

MODEL	START Y.	END Y.
PROACE CITY Limuzin	2019/10	
PROACE CITY VERSO MPV	2019/10	



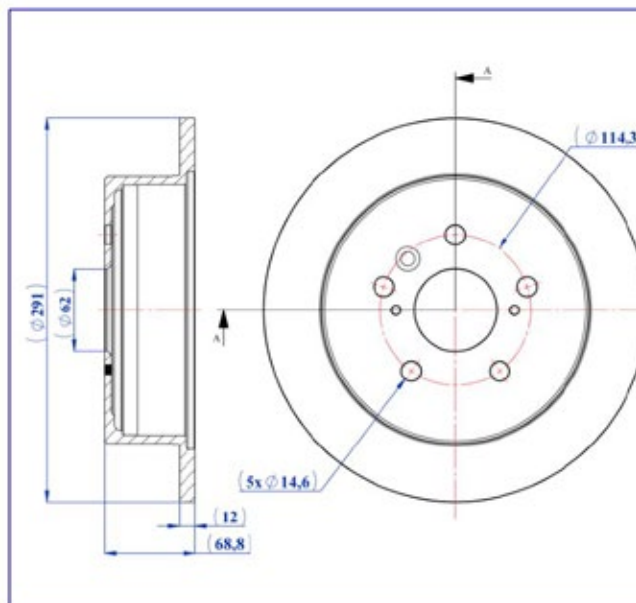
BRAKE DISC

- Rear Axle
- Solid

- Safety
- Performance
- OEM Standarts
- AYD Quality

OE:
4243108030
4243108040

10-50749



AYD
AUTOMOTIVE INDUSTRY

AYD NO
10-50749

MATERIAL
TYPE-1

WEIGHT
5,73 KG

BALANCING
100 %



Technical Specifications:

Diameter (mm)	Height (mm)	Brake Disc Thickness (mm)	Min. Thickness (mm)	Centering Diameter (mm)	Bolt Hole Circle (mm)	Num. of Holes
291	68.8	12	10.5	62	114.3	5+3

TOYOTA

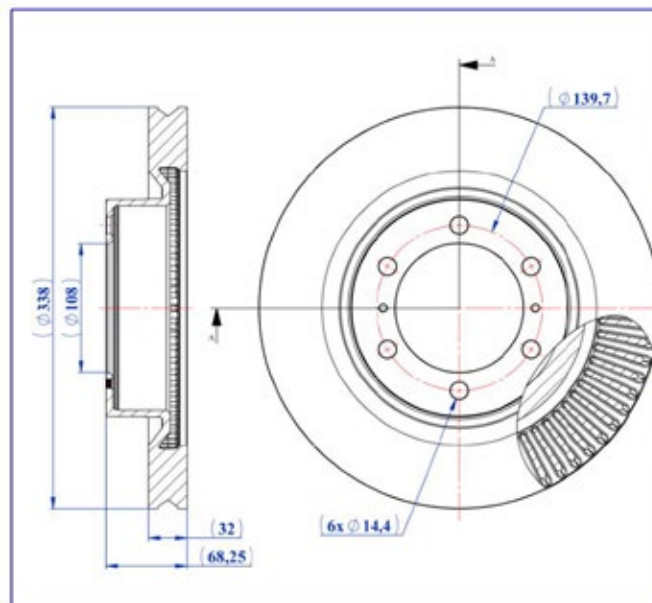
MODEL	START Y.	END Y.
SIENNA (_L2_)	2003/01	2010/12
SIENNA Mini Cargo Van (_L2_)	2004/01	2010/12



BRAKE DISC

- Front Axle
- Vented

- Safety
- Performance
- OEM Standarts
- AYD Quality



AYD
AUTOMOTIVE INDUSTRY

AYD NO
10-50792

MATERIAL
TYPE-1

WEIGHT
10,07 KG

BALANCING
100 %



OE:
4351260190
4351260191

10-50792

Technical Specifications:

Diameter (mm)	Height (mm)	Brake Disc Thickness (mm)	Min. Thickness (mm)	Centering Diameter (mm)	Bolt Hole Circle (mm)	Num. of Holes
338	68.25	32	29	108	139.7	6+2

TOYOTA

MODEL	START Y.	END Y.
4 RUNNER V (_N28_)	2009/03	
LAND CRUISER PRADO (_J15_)	2009/07	

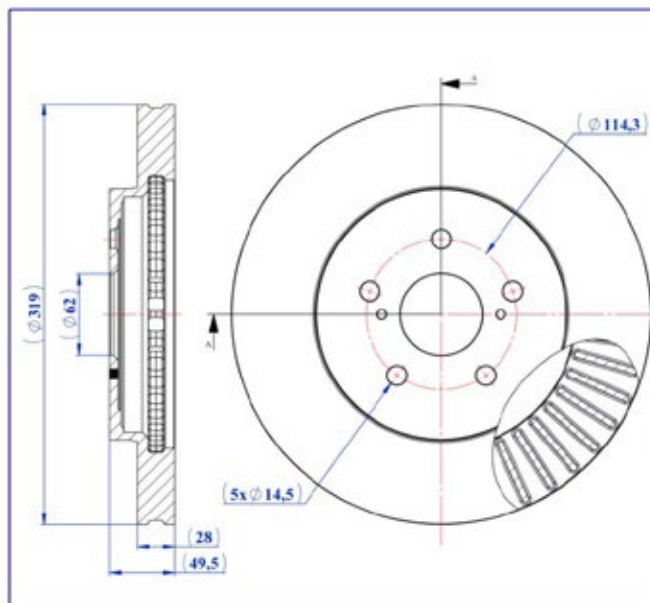


BRAKE DISC

- Front Axle
- Vented

- Safety
- Performance
- OEM Standarts
- AYD Quality

OE:
4351248100
4351248090
4351248081



AYD
AUTOMOTIVE INDUSTRY

AYD NO
10-50796

MATERIAL
TYPE-1

WEIGHT
8,63 KG

BALANCING
100 %



10-50796

Technical Specifications:

Diameter (mm)	Height (mm)	Brake Disc Thickness (mm)	Min. Thickness (mm)	Centering Diameter (mm)	Bolt Hole Circle (mm)	Num. of Holes
319	49.5	28	26	62	114.3	5+2

TOYOTA

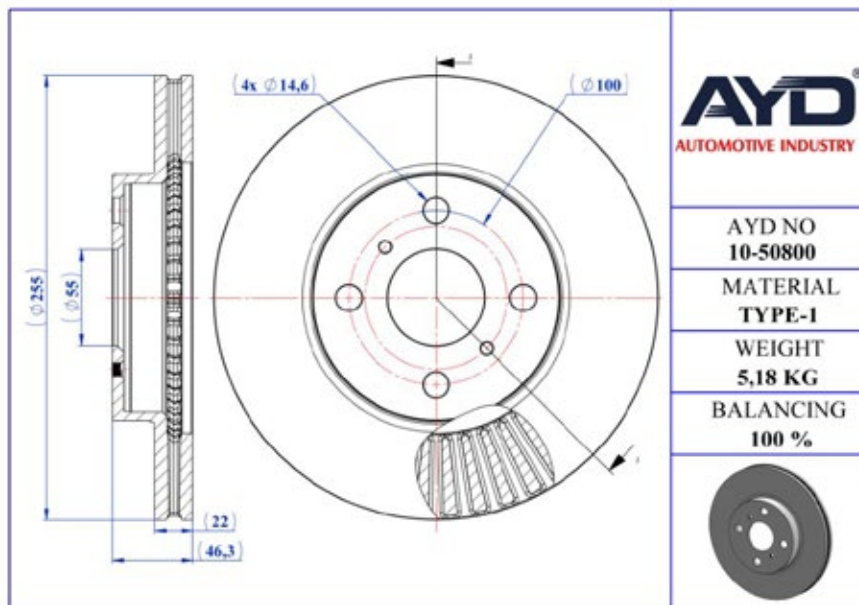
MODEL	START Y.	END Y.
HARRIER (_U3_)	2003/02	2013/12



BRAKE DISC

- Front Axle
- Vented

- Safety
- Performance
- OEM Standards
- AYD Quality



AYD AUTOMOTIVE INDUSTRY
AYD NO 10-50800
MATERIAL TYPE-1
WEIGHT 5,18 KG
BALANCING 100 %



OE:
435120D090
4351252120

10-50800

Technical Specifications:

Diameter (mm)	Height (mm)	Brake Disc Thickness (mm)	Min. Thickness (mm)	Centering Diameter (mm)	Bolt Hole Circle (mm)	Num. of Holes
255	46.3	22	19	55	100	4+2

TOYOTA

MODEL	START Y.	END Y.
IQ (_J1_)	2008/11	2015/12
PRIUS C (NHP10_)	2011/09	
YARIS (_P13_)	2010/12	
YARIS (_P9_)	2005/01	2014/12

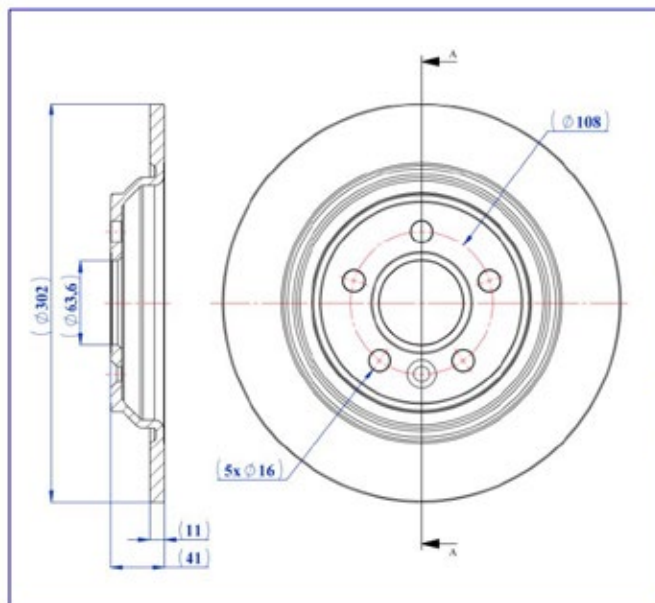


BRAKE DISC

- Rear Axle
- Solid

- Safety
- Performance
- OEM Standards
- AYD Quality

OE:
30769059
31471746
307690590



AYD
AUTOMOTIVE INDUSTRY

AYD NO
10-50243

MATERIAL
TYPE-1

WEIGHT
5,07 KG

BALANCING
100 %



10-50243

Technical Specifications:

Diameter (mm)	Height (mm)	Brake Disc Thickness (mm)	Min. Thickness (mm)	Centering Diameter (mm)	Bolt Hole Circle (mm)	Num. of Holes
302	41	11	9	63.6	108	5+1

VOLVO

MODEL	START Y.	END Y.
S60 II (134)	2010/04	2018/12
S80 II (124)	2006/03	2016/12
V60 I (155, 157)	2010/07	2018/12
V70 III (135)	2007/04	2016/04
XC70 II (136)	2007/04	2016/12

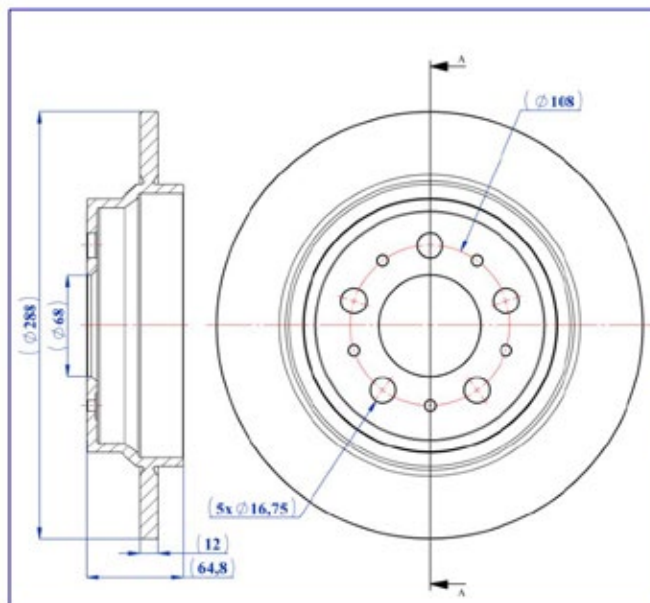


BRAKE DISC

- Rear Axle
- Solid

- Safety
- Performance
- OEM Standarts
- AYD Quality

OE:
94341674
31471821
9434167



AYD
AUTOMOTIVE INDUSTRY

AYD NO
10-50284

MATERIAL
TYPE-1

WEIGHT
5,48 KG

BALANCING
100 %



10-50284

Technical Specifications:

Diameter (mm)	Height (mm)	Brake Disc Thickness (mm)	Min. Thickness (mm)	Centering Diameter (mm)	Bolt Hole Circle (mm)	Num. of Holes
288	64.8	12	10	68	108	5+5

VOLVO

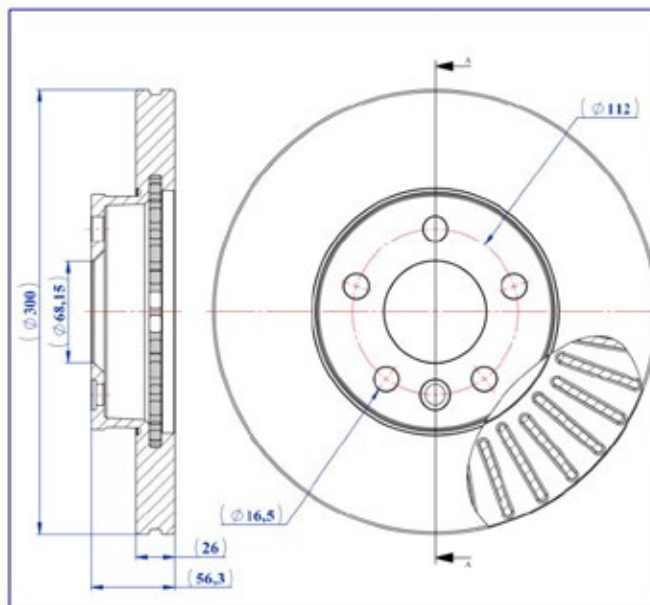
MODEL	START Y.	END Y.
S60 I (384)	2000/07	2010/04
S80 I (184)	1998/05	2008/02
V70 II (285)	1999/11	2008/12
XC70 CROSS COUNTRY I (295)	1997/10	2007/10



BRAKE DISC

- Front Axle
- Vented

- Safety
- Performance
- OEM Standards
- AYD Quality



AYD
AUTOMOTIVE INDUSTRY

AYD NO
10-50348

MATERIAL
TYPE-1

WEIGHT
8,67 KG

BALANCING
100 %



OE:
7M3615301A
7D0615301B

10-50348

Technical Specifications:

Diameter (mm)	Height (mm)	Brake Disc Thickness (mm)	Min. Thickness (mm)	Centering Diameter (mm)	Bolt Hole Circle (mm)	Num. of Holes
300	56.3	26	22	68.15	112	5+1

VW

MODEL	START Y.	END Y.
SHARAN (7M8, 7M9, 7M6)	1995/05	2010/03
TRANSPORTER IV Minibus/Bus (70B,70C,7DB, 7DK, 70J,70)	1990/09	2004/08
TRANSPORTER IV Panelvan/Van (70A, 70H, 7DA, 7DH)	1990/07	2003/04
TRANSPORTER IV Platform (70E,70L,70M,7DE,7DL,7DM)	1990/07	2003/04

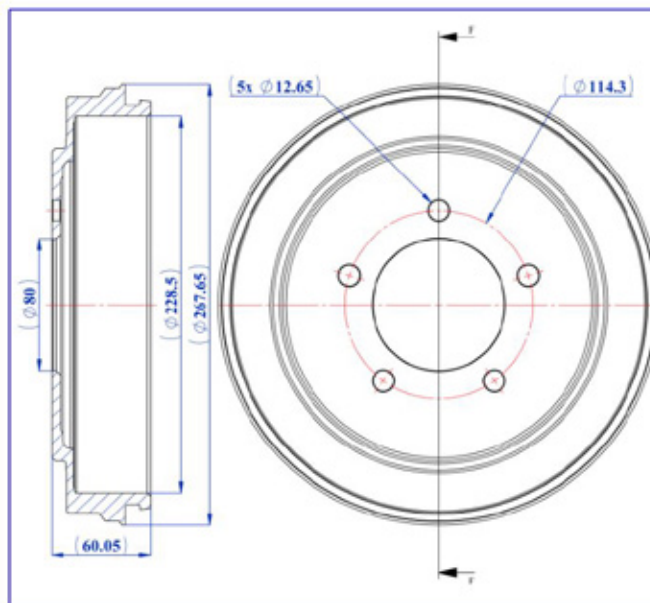


BRAKE DRUM

·Rear Axle

- Safety
- Performance
- OEM Standarts
- AYD Quality

OE:
5105617AB
5105617AC



AYD
AUTOMOTIVE INDUSTRY

AYD NO
13-50907

MATERIAL
TYPE-1

WEIGHT
5,03 KG

BALANCING
100 %



13-50907

Technical Specifications:

Diameter (mm)	Height (mm)	Brake Diameter Inside (mm)	Max. Skimmed Drum Mea. (mm)	Centering Diameter (mm)	Bolt Hole Circle (mm)	Num. of Holes
267.65	60.05	228.5	230.6	80	114.3	5

DODGE

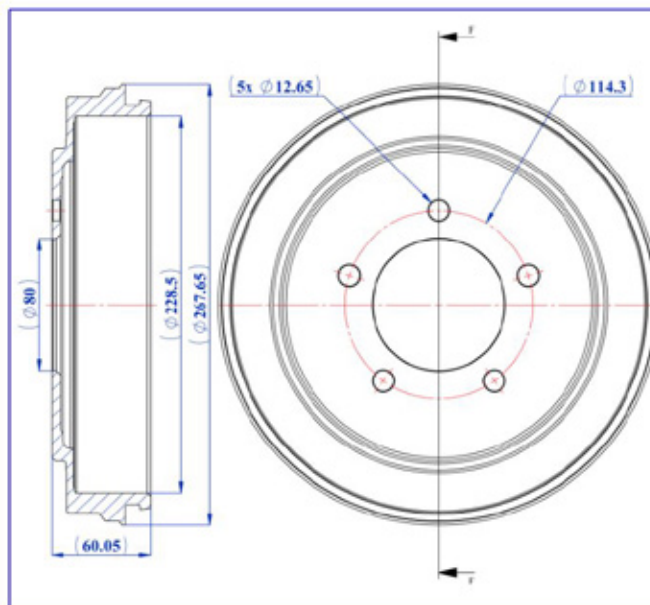
MODEL	START Y.	END Y.
AVENGER	2007/06	2014/12
CALIBER	2006/06	



BRAKE DRUM

•Rear Axle

- Safety
- Performance
- OEM Standarts
- AYD Quality



AYD
AUTOMOTIVE INDUSTRY

AYD NO
13-50907

MATERIAL
TYPE-1

WEIGHT
5,03 KG

BALANCING
100 %



OE:
5105617AC

13-50907

Technical Specifications:

Diameter (mm)	Height (mm)	Brake Diameter Inside (mm)	Max. Skimmed Drum Mea. (mm)	Centering Diameter (mm)	Bolt Hole Circle (mm)	Num. of Holes
267.65	60.05	228.5	230.6	80	114.3	5

JEEP

MODEL	START Y.	END Y.
COMPASS (MK49)	2006/08	
PATRIOT (MK74)	2007/02	2017/12

