

new to range

AYD[®]
AUTOMOTIVE INDUSTRY

SPEED TO MARKET SECOND TO NONE



BRAKING THE DIFFERENCE

SAFETY

PERFORMANCE

OEM Standards

AYD QUALITY

www.aydtr.com



OCTOBER 2022

INDEX BRAKE DISC

CHEVROLET	3-6
CHRYSLER	7-8
CITROEN	9
DODGE	10-13
FIAT	14
FORD	15-28
GMC	29
HONDA	30-31
HYUNDAI	32-34
JAGUAR	35
JEEP	36
KIA	37-38
LAND ROVER	39
LEXUS	40
MAZDA	41
MERCURY	42
OPEL	43
PEUGEOT	44
PLYMOUTH	45
SAAB	46
SEAT	47
TOYOTA	48-51
VAUXHALL	52
VOLKSWAGEN	53

BRAKE DRUM

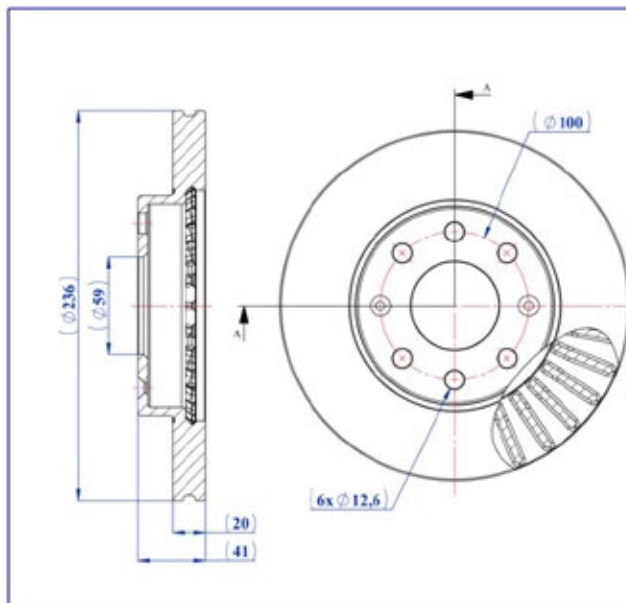
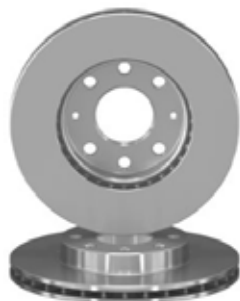
ALFA ROMEO	54-55
CHEVROLET	56-57
FIAT	58-59
FORD	60-63
GMC	64-65
LANCIA	66-67
OPEL	68
TOYOTA	69

BRAKE DISC

- Front Axle
- Vented

- Safety
- Performance
- OEM Standarts
- AYD Quality

OE:
96574633
96471274
90121445



AYD
AUTOMOTIVE INDUSTRY

AYD NO
10-50294

MATERIAL
TYPE-1

WEIGHT
3,79 KG

BALANCING
100 %



10-50294

Technical Specifications:

Diameter (mm)	Height (mm)	Brake Disc Thickness (mm)	Min. Thickness (mm)	Centering Diameter (mm)	Bolt Hole Circle (mm)	Num. of Holes
236	41	20	18	59	100	6+2

CHEVROLET

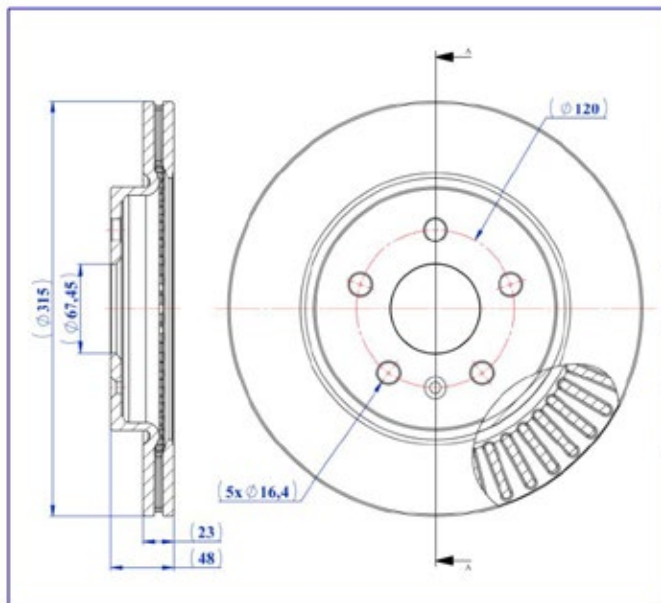
MODEL	START Y.	END Y.
AVEO / KALOS Hatchback (T200)	2003/02	2008/05
AVEO / KALOS Hatchback (T250, T255)	2006/06	
AVEO / KALOS Sedan (T200)	2003/01	2008/12
AVEO / KALOS Sedan (T250, T255)	2005/03	
SPARK (M300)	2009/12	



BRAKE DISC

- Rear Axle
- Vented

- Safety
- Performance
- OEM Standarts
- AYD Quality



AYD
AUTOMOTIVE INDUSTRY

AYD NO
10-50385

MATERIAL
TYPE-1

WEIGHT
8,38 KG

BALANCING
100 %



OE:
23118534

10-50385

Technical Specifications:

Diameter (mm)	Height (mm)	Brake Disc Thickness (mm)	Min. Thickness (mm)	Centering Diameter (mm)	Bolt Hole Circle (mm)	Num. of Holes
315	48	23	21.5	67.45	120	5+1

CHEVROLET

MODEL	START Y.	END Y.
MALIBU (V300)	2012/01	

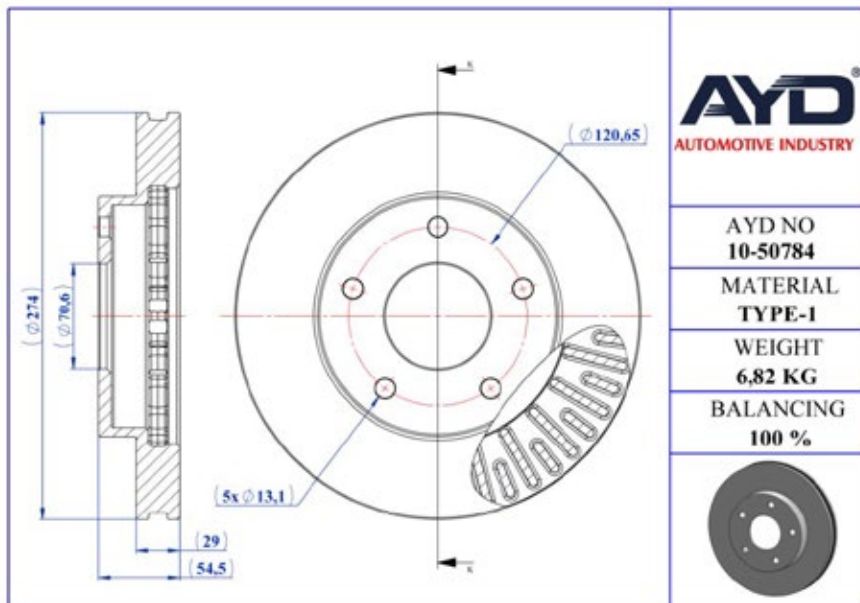


BRAKE DISC

- Front Axle
- Vented

- Safety
- Performance
- OEM Standarts
- AYD Quality

OE:
15733699
18023742
18039314



AYD
AUTOMOTIVE INDUSTRY

AYD NO
10-50784

MATERIAL
TYPE-1

WEIGHT
6,82 KG

BALANCING
100 %



10-50784

Technical Specifications:

Diameter (mm)	Height (mm)	Brake Disc Thickness (mm)	Min. Thickness (mm)	Centering Diameter (mm)	Bolt Hole Circle (mm)	Num. of Holes
274	54.5	29	27.5	70.6	120.65	5

CHEVROLET

MODEL	START Y.	END Y.
S10 Extended Cab Pickup	1993/09	2004/12
S10 Standard Cab Pickup	1993/09	2004/12



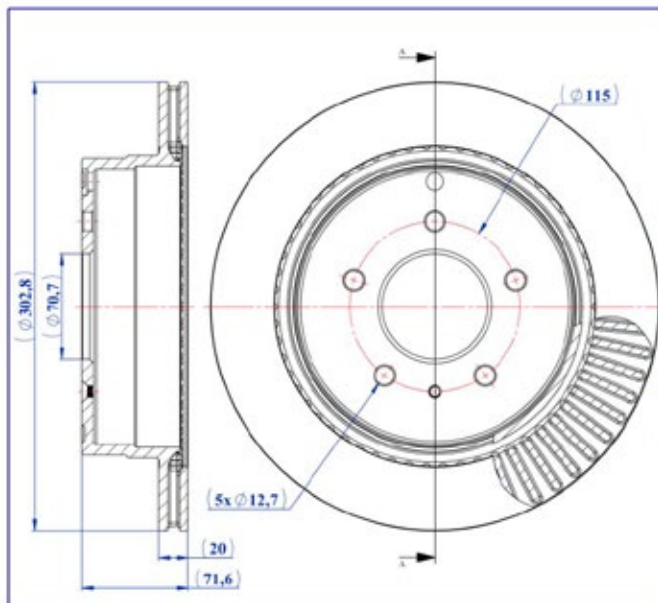
BRAKE DISC

- Rear Axle
- Vented

- Safety
- Performance
- OEM Standarts
- AYD Quality

OE:
20892952

10-50785



AYD
AUTOMOTIVE INDUSTRY

AYD NO
10-50785

MATERIAL
TYPE-1

WEIGHT
7,12 KG

BALANCING
100 %



Technical Specifications:

Diameter (mm)	Height (mm)	Brake Disc Thickness (mm)	Min. Thickness (mm)	Centering Diameter (mm)	Bolt Hole Circle (mm)	Num. of Holes
302.8	71.6	20	18.4	70.7	115	5+2

CHEVROLET

MODEL	START Y.	END Y.
CAPTIVA (C100, C140)	2006/06	
EQUINOX	2003/04	2009/12

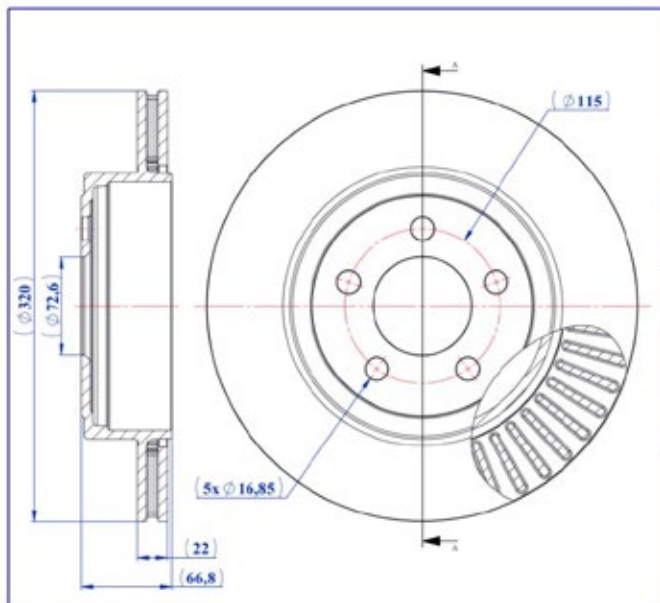


BRAKE DISC

- Rear Axle
- Vented

- Safety
- Performance
- OEM Standarts
- AYD Quality

OE:
4779209AA
4779209AB
4779209AC



AYD
AUTOMOTIVE INDUSTRY

AYD NO
10-50706

MATERIAL
TYPE-1

WEIGHT
8,48 KG

BALANCING
100 %



10-50706

Technical Specifications:

Diameter (mm)	Height (mm)	Brake Disc Thickness (mm)	Min. Thickness (mm)	Centering Diameter (mm)	Bolt Hole Circle (mm)	Num. of Holes
320	66.8	22	20.5	72.6	115	5

CHRYSLER

MODEL	START Y.	END Y.
300C (LX, LE)	2004/09	
300C (LX)	2010/09	
300C Touring (LX, LE)	2004/09	2010/12

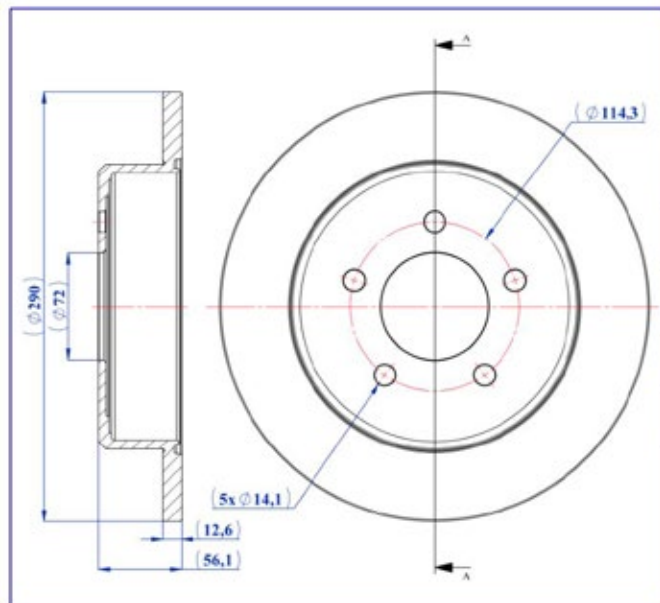


BRAKE DISC

- Rear Axle
- Solid

- Safety
- Performance
- OEM Standarts
- AYD Quality

OE:
4721023AC
4721023AD
4721023AE



AYD
AUTOMOTIVE INDUSTRY

AYD NO
10-50740

MATERIAL
TYPE-1

WEIGHT
5,46 KG

BALANCING
100 %



10-50740

Technical Specifications:

Diameter (mm)	Height (mm)	Brake Disc Thickness (mm)	Min. Thickness (mm)	Centering Diameter (mm)	Bolt Hole Circle (mm)	Num. of Holes
290	56.1	12.6	11.25	72	114.3	5

CHRYSLER

MODEL	START Y.	END Y.
GRAND VOYAGER V (RT)	2007/10	
VOYAGER / GRAND VOYAGER III (GS_, NS_)	1995/01	2001/03
VOYAGER IV (RG, RS)	1999/09	2008/12



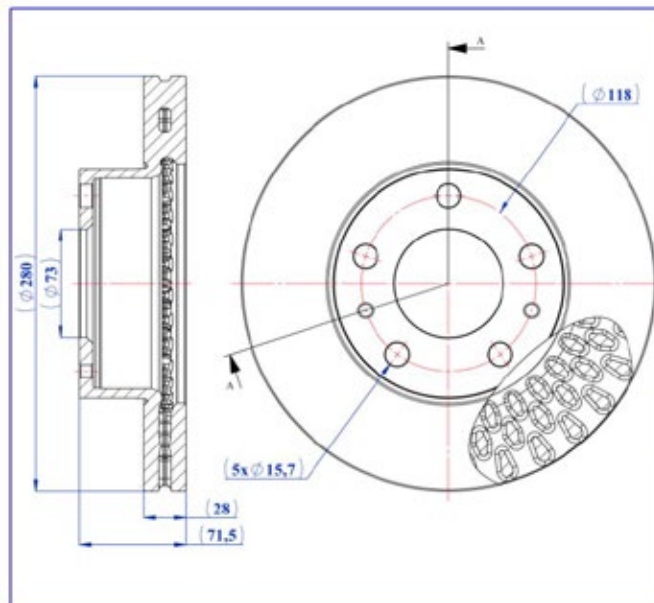
BRAKE DISC

- Front Axle
- Vented

- Safety
- Performance
- OEM Standarts
- AYD Quality

OE:
1612435280
1612435180

10-50739



AYD
AUTOMOTIVE INDUSTRY

AYD NO
10-50739

MATERIAL
TYPE-1

WEIGHT
8,55 KG

BALANCING
100 %



Technical Specifications:

Diameter (mm)	Height (mm)	Brake Disc Thickness (mm)	Min. Thickness (mm)	Centering Diameter (mm)	Bolt Hole Circle (mm)	Num. of Holes
280	71.5	28	25.9	73	118	5+2

CITROËN

MODEL	START Y.	END Y.
JUMPER Minibus/Bus	2006/04	
JUMPER Panelvan/Van	2006/04	
JUMPER Platform	2006/04	

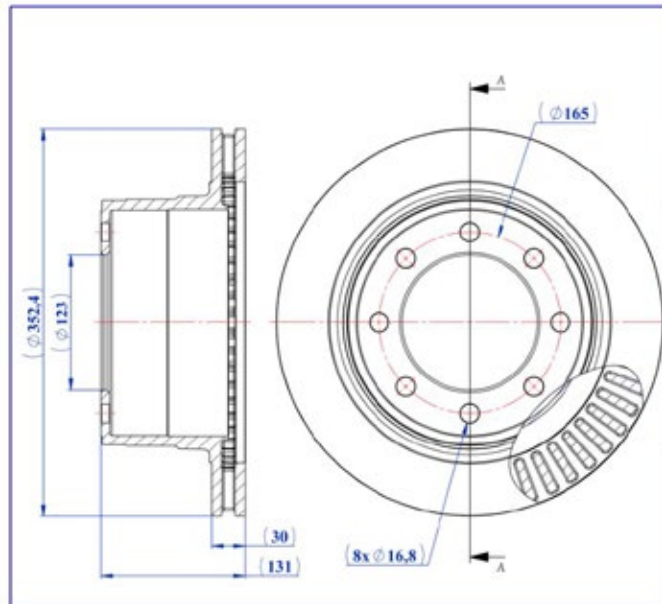
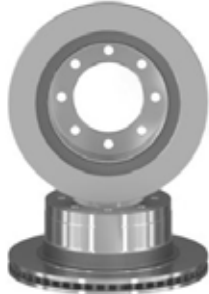


BRAKE DISC

- Rear Axle
- Vented

- Safety
- Performance
- OEM Standarts
- AYD Quality

OE:
52010144AA
5083728AA



AYD
AUTOMOTIVE INDUSTRY

AYD NO
10-50701

MATERIAL
TYPE-1

WEIGHT
14,85 KG

BALANCING
100 %



10-50701

Technical Specifications:

Diameter (mm)	Height (mm)	Brake Disc Thickness (mm)	Min. Thickness (mm)	Centering Diameter (mm)	Bolt Hole Circle (mm)	Num. of Holes
352.4	131	30	28.39	123	165	8

DODGE

MODEL	START Y.	END Y.
RAM 2500 Cab & Chassis	2001/09	2008/12
RAM 2500 Crew Cab Pickup	2001/09	2008/12
RAM 2500 Extended Crew Cab Pickup	2001/09	2008/12
RAM 2500 Pick-up (D1, DC, DH, DM, DR)	2001/09	2009/12
RAM 2500 Standard Cab Pickup	2001/09	2008/12
RAM 3500 Cab & Chassis	2001/09	2008/12
RAM 3500 Crew Cab Pickup	2001/09	2008/12
RAM 3500 Extended Crew Cab Pickup	2001/09	2008/12
RAM 3500 Pick-up (DR, DH, D1, DC, DM)	2002/01	2009/12
RAM 3500 Standard Cab Pickup	2001/09	2008/12
RAM 4000 Standard Cab Pickup	2002/09	2008/12

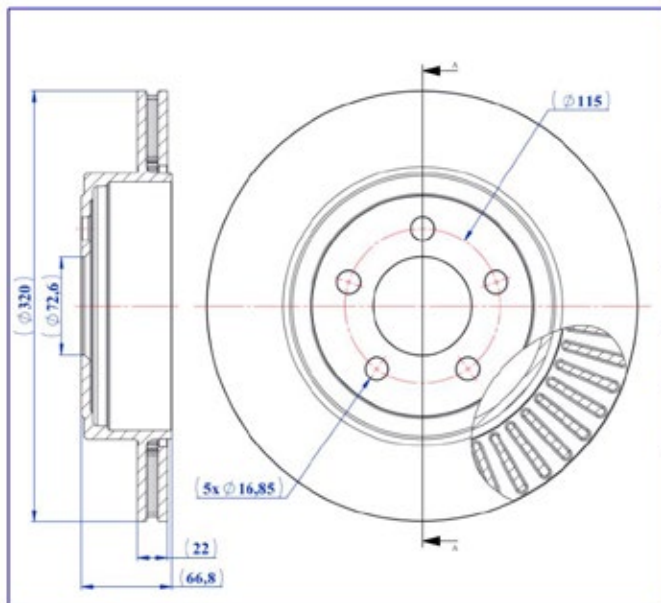


BRAKE DISC

- Rear Axle
- Vented

- Safety
- Performance
- OEM Standarts
- AYD Quality

OE:
4779209AA
4779209AB
4779209AC



AYD
AUTOMOTIVE INDUSTRY

AYD NO
10-50706

MATERIAL
TYPE-1

WEIGHT
8,48 KG

BALANCING
100 %



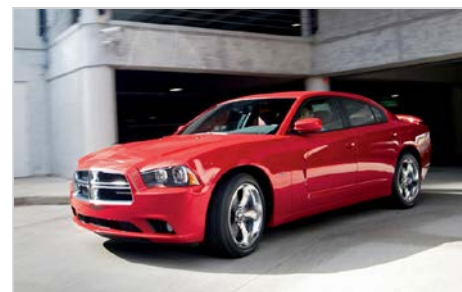
10-50706

Technical Specifications:

Diameter (mm)	Height (mm)	Brake Disc Thickness (mm)	Min. Thickness (mm)	Centering Diameter (mm)	Bolt Hole Circle (mm)	Num. of Holes
320	66.8	22	20.5	72.6	115	5

DODGE

MODEL	START Y.	END Y.
CHALLENGER Coupe	2007/09	
CHARGER	2010/09	

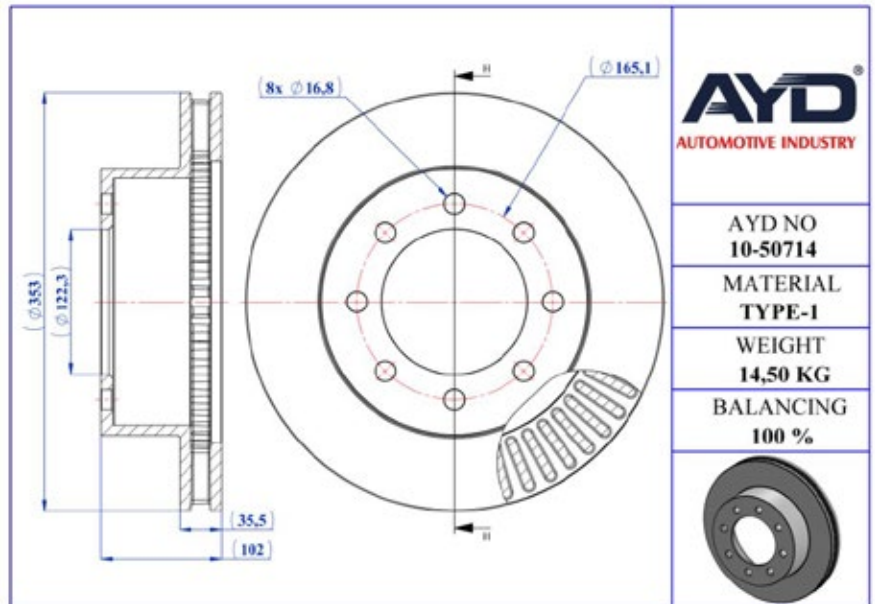


BRAKE DISC

- Front Axle
- Vented

- Safety
- Performance
- OEM Standarts
- AYD Quality

OE:
52121050AA
05083697AA
5083697AA



AYD
AUTOMOTIVE INDUSTRY

AYD NO
10-50714

MATERIAL
TYPE-1

WEIGHT
14,50 KG

BALANCING
100 %



10-50714

Technical Specifications:

Diameter (mm)	Height (mm)	Brake Disc Thickness (mm)	Min. Thickness (mm)	Centering Diameter (mm)	Bolt Hole Circle (mm)	Num. of Holes
353	102	35.5	34	122.3	165.1	8

DODGE

MODEL	START Y.	END Y.
RAM 1500 Crew Cab Pickup	2001/09	2008/12
RAM 1500 Extended Crew Cab Pickup	2001/09	2008/12
RAM 1500 Standard Cab Pickup	2001/09	2008/12
RAM 2500 Cab & Chassis	2001/09	2008/12
RAM 2500 Crew Cab Pickup	2001/09	2008/12
RAM 2500 Extended Crew Cab Pickup	2001/09	2008/12
RAM 3500 Cab & Chassis	2001/09	2008/12
RAM 3500 Crew Cab Pickup	2001/09	2008/12
RAM 3500 Extended Crew Cab Pickup	2001/09	2008/12
RAM 3500 Pick-up (DR, DH, D1, DC, DM)	2002/01	2009/12
RAM 3500 Standard Cab Pickup	2001/09	2008/12

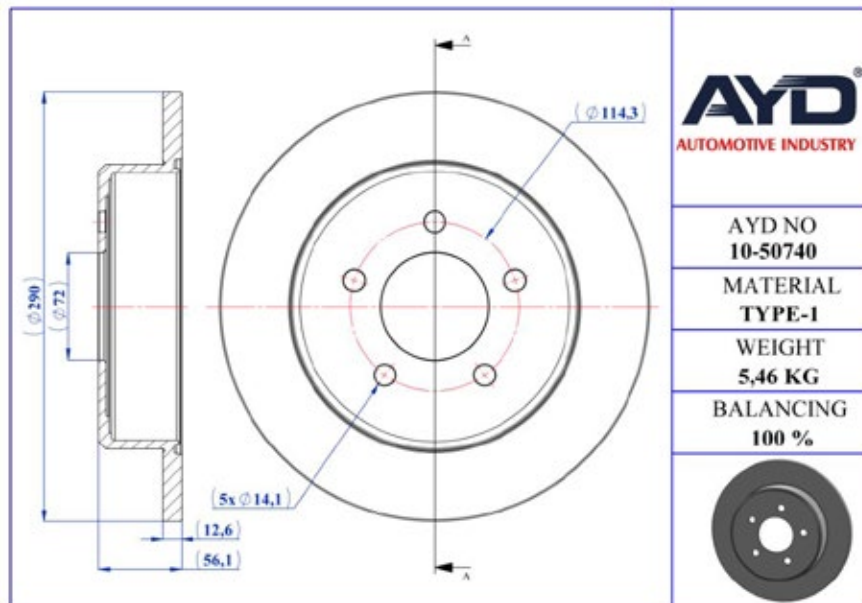


BRAKE DISC

- Rear Axle
- Solid

- Safety
- Performance
- OEM Standarts
- AYD Quality

OE:
4721023AD
4721023AG
4721023AE



AYD
AUTOMOTIVE INDUSTRY

AYD NO
10-50740

MATERIAL
TYPE-1

WEIGHT
5,46 KG

BALANCING
100 %



10-50740

Technical Specifications:

Diameter (mm)	Height (mm)	Brake Disc Thickness (mm)	Min. Thickness (mm)	Centering Diameter (mm)	Bolt Hole Circle (mm)	Num. of Holes
290	56.1	12.6	11.25	72	114.3	5

DODGE

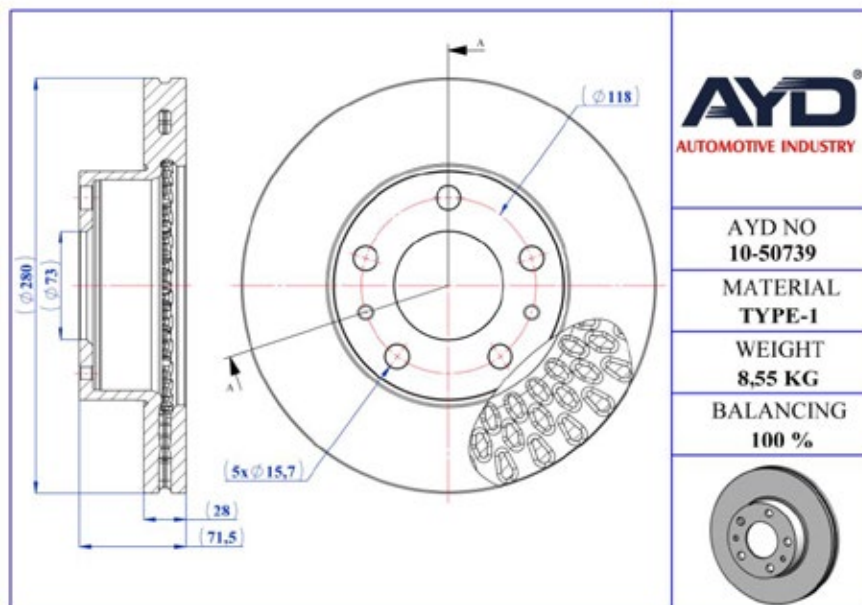
MODEL	START Y.	END Y.
CARAVAN (RG_)	2000/02	2007/12



BRAKE DISC

- Front Axle
- Vented

- Safety
- Performance
- OEM Standarts
- AYD Quality



AYD
AUTOMOTIVE INDUSTRY

AYD NO
10-50739

MATERIAL
TYPE-1

WEIGHT
8,55 KG

BALANCING
100 %



OE:
51957507

10-50739

Technical Specifications:

Diameter (mm)	Height (mm)	Brake Disc Thickness (mm)	Min. Thickness (mm)	Centering Diameter (mm)	Bolt Hole Circle (mm)	Num. of Holes
280	71.5	28	25.9	73	118	5+2

FIAT

MODEL	START Y.	END Y.
DUCATO Minibus/Bus (250_)	2006/07	
DUCATO Panelvan/Van (250_)	2006/07	
DUCATO Platform (250_)	2006/07	

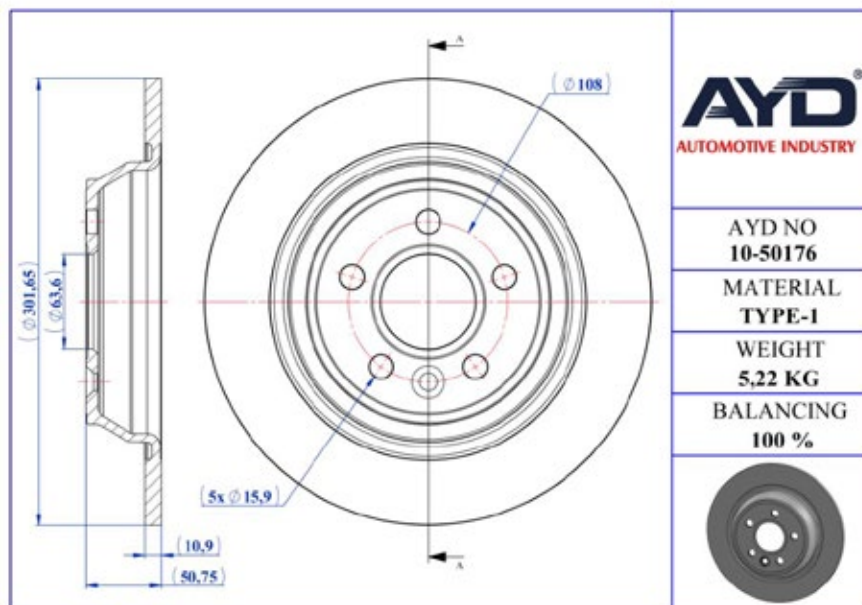


BRAKE DISC

- Rear Axle
- Solid

- Safety
- Performance
- OEM Standarts
- AYD Quality

OE:
1385590
1405500
6G912A315BA



AYD
AUTOMOTIVE INDUSTRY

AYD NO
10-50176

MATERIAL
TYPE-1

WEIGHT
5,22 KG

BALANCING
100 %



10-50176

Technical Specifications:

Diameter (mm)	Height (mm)	Brake Disc Thickness (mm)	Min. Thickness (mm)	Centering Diameter (mm)	Bolt Hole Circle (mm)	Num. of Holes
301.65	50.75	10.9	9	63.6	108	5+1

FORD

MODEL	START Y.	END Y.
FOCUS II (DA_, HCP, DP)	2004/07	2013/09
GALAXY II (WA6)	2006/05	2015/06
KUGA I	2008/02	2012/11
MONDEO IV (BA7)	2007/03	2015/01
MONDEO IV Sedan (BA7)	2007/03	2015/01
MONDEO IV Turnier (BA7)	2007/03	2015/01
S-MAX (WA6)	2006/05	2014/12

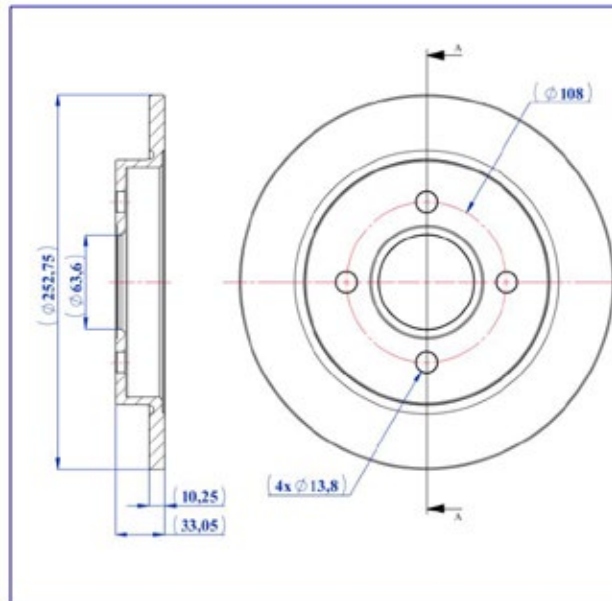


BRAKE DISC

- Rear Axle
- Solid

- Safety
- Performance
- OEM Standarts
- AYD Quality

OE:
1756882
1780880
4083484



AYD NO
10-50237

MATERIAL
TYPE-1

WEIGHT
3,37 KG

BALANCING
100 %



10-50237

Technical Specifications:

Diameter (mm)	Height (mm)	Brake Disc Thickness (mm)	Min. Thickness (mm)	Centering Diameter (mm)	Bolt Hole Circle (mm)	Num. of Holes
252.75	33.05	10.25	8.9	63.6	108	4

FORD

MODEL	START Y.	END Y.
FIESTA V (JH_, JD_)	2001/11	2014/12
FIESTA VI (CB1, CCN)	2008/06	
FIESTA VI Van	2008/08	
FOCUS I (DAW, DBW)	1998/09	2009/11
FOCUS I Sedan (DFW)	1999/02	2009/11
FOCUS I Turnier (DNW)	1999/02	2007/12
SCORPIO II (GFR, GGR)	1994/10	1998/08
SIERRA I Hatchback (GBC)	1982/08	1987/02
SIERRA II (GBG, GB4)	1987/01	1993/02
SIERRA II Hatchback (GBC, GBG)	1987/01	1993/03
SIERRA II Turnier (BNG)	1987/01	1993/02

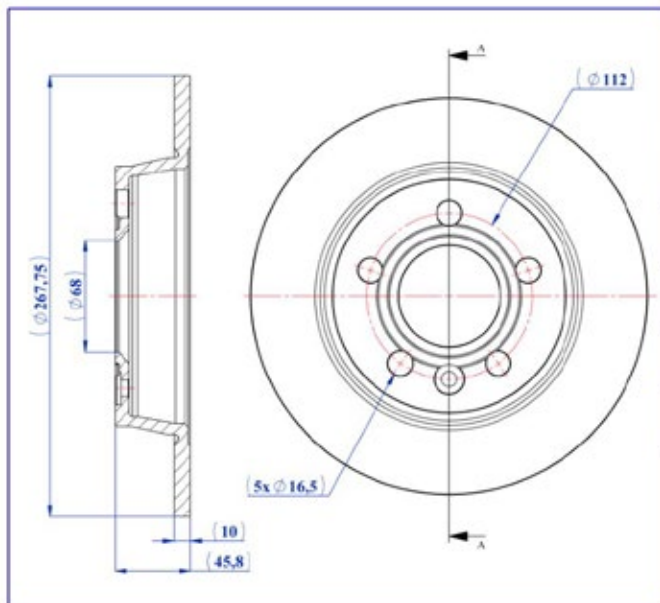


BRAKE DISC

- Rear Axle
- Solid

- Safety
- Performance
- OEM Standarts
- AYD Quality

OE:
1023605
1526694
7295020



AYD
AUTOMOTIVE INDUSTRY

AYD NO
10-50268

MATERIAL
TYPE-1

WEIGHT
4,16 KG

BALANCING
100 %



10-50268

Technical Specifications:

Diameter (mm)	Height (mm)	Brake Disc Thickness (mm)	Min. Thickness (mm)	Centering Diameter (mm)	Bolt Hole Circle (mm)	Num. of Holes
267.75	45.8	10	8	68	112	5+1

FORD

MODEL	START Y.	END Y.
GALAXY I (WGR)	1995/03	2006/05

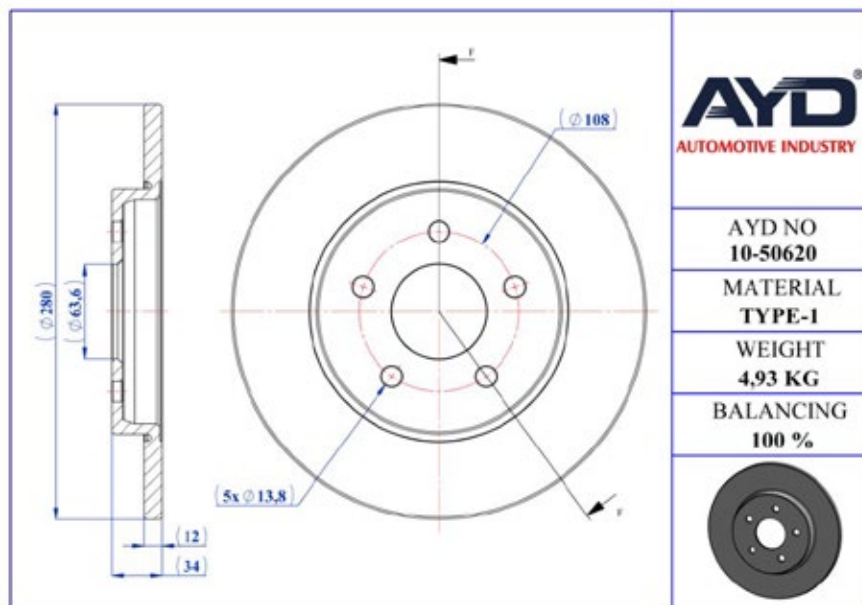


BRAKE DISC

- Rear Axle
- Solid

- Safety
- Performance
- OEM Standarts
- AYD Quality

OE:
4179406
4098428
1506339



AYD
AUTOMOTIVE INDUSTRY

AYD NO
10-50620

MATERIAL
TYPE-1

WEIGHT
4.93 KG

BALANCING
100 %



10-50620

Technical Specifications:

Diameter (mm)	Height (mm)	Brake Disc Thickness (mm)	Min. Thickness (mm)	Centering Diameter (mm)	Bolt Hole Circle (mm)	Num. of Holes
280	34	12	10	63.6	108	5

FORD

MODEL	START Y.	END Y.
MONDEO III (B5Y)	2000/10	2007/03
MONDEO III Sedan (B4Y)	2000/10	2007/09
MONDEO III Turnier (BWY)	2000/10	2007/03



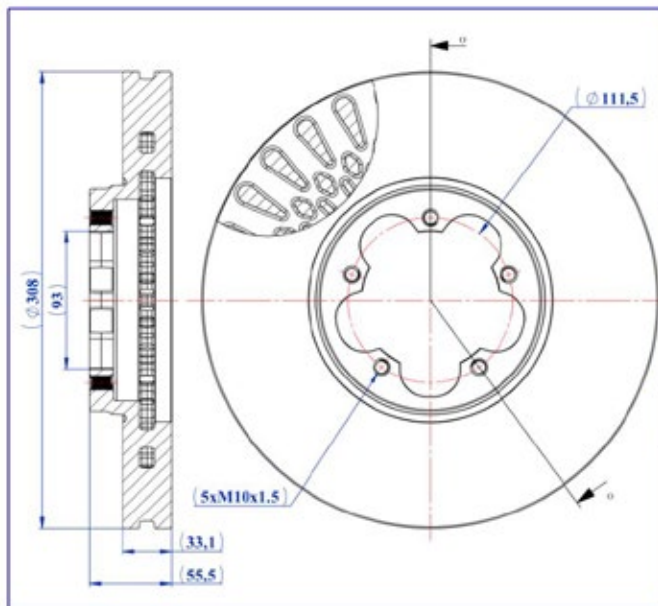
BRAKE DISC

- Front Axle
- Vented

- Safety
- Performance
- OEM Standarts
- AYD Quality

OE:
BK211125AC
1842633
CK4Z1125C

10-50710



AYD
AUTOMOTIVE INDUSTRY

AYD NO
10-50710

MATERIAL
TYPE-1

WEIGHT
11,44 KG

BALANCING
100 %



Technical Specifications:

Diameter (mm)	Height (mm)	Brake Disc Thickness (mm)	Min. Thickness (mm)	Centering Diameter (mm)	Bolt Hole Circle (mm)	Num. of Holes
308	55.5	33.1	30	93	111.5	5

FORD

MODEL	START Y.	END Y.
TOURNEO CUSTOM V362 Minibus/Bus (F3)	2012/04	
TRANSIT CUSTOM V362 Minibus/Bus (F3)	2012/04	
TRANSIT CUSTOM V362 Panelvan/Van (FY, FZ)	2012/09	
TRANSIT V363 Minibus/Bus (FAD, FBD)	2013/08	
TRANSIT V363 Panelvan/Van (FCD, FDD)	2013/08	
TRANSIT V363 Platform (FED, FFD)	2013/08	

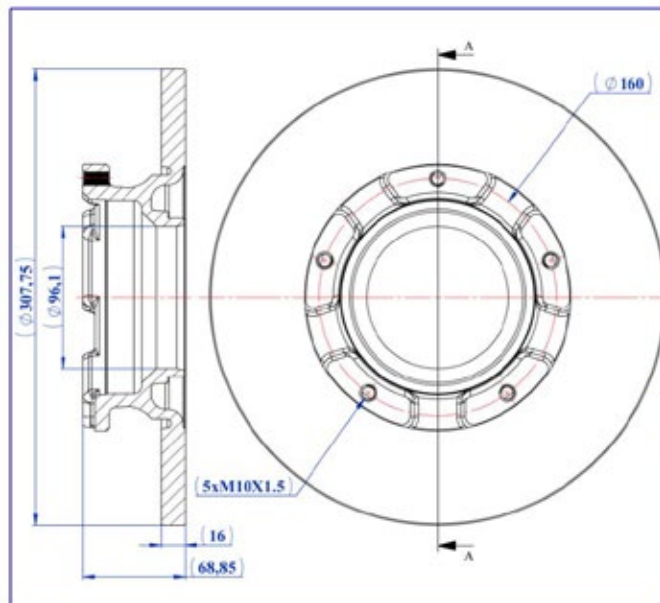
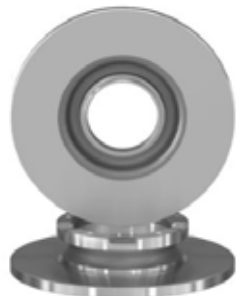


BRAKE DISC

- Rear Axle
- Solid

- Safety
- Performance
- OEM Standarts
- AYD Quality

OE:
1764282
1783910
BK212A097AB



AYD
AUTOMOTIVE INDUSTRY

AYD NO
10-50711

MATERIAL
TYPE-1

WEIGHT
9,19 KG

BALANCING
100 %



10-50711

Technical Specifications:

Diameter (mm)	Height (mm)	Brake Disc Thickness (mm)	Min. Thickness (mm)	Centering Diameter (mm)	Bolt Hole Circle (mm)	Num. of Holes
307.75	68.85	16	13	96.1	160	5

FORD

MODEL	START Y.	END Y.
TRANSIT CUSTOM V362 Minibus/Bus (F3)	2012/04	
TRANSIT CUSTOM V362 Panelvan/Van (FY, FZ)	2012/09	
TRANSIT V363 Minibus/Bus (FAD, FBD)	2013/08	
TRANSIT V363 Panelvan/Van (FCD, FDD)	2013/08	
TRANSIT V363 Platform (FED, FFD)	2013/08	

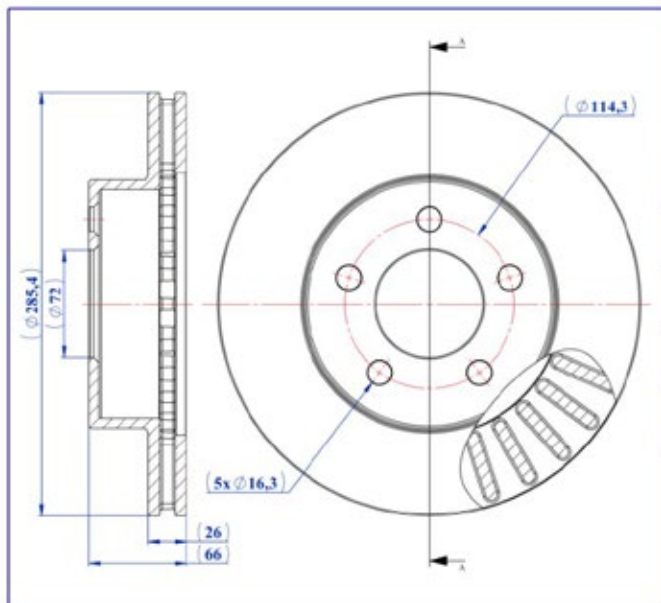


BRAKE DISC

- Front Axle
- Vented

- Safety
- Performance
- OEM Standarts
- AYD Quality

OE:
F67Z1125BA
XL5Z1125CA
ZZP233251



AYD
AUTOMOTIVE INDUSTRY

AYD NO
10-50729

MATERIAL
TYPE-1

WEIGHT
7,39 KG

BALANCING
100 %



10-50729

Technical Specifications:

Diameter (mm)	Height (mm)	Brake Disc Thickness (mm)	Min. Thickness (mm)	Centering Diameter (mm)	Bolt Hole Circle (mm)	Num. of Holes
285.4	66	26	24.5	72	114.3	5

FORD

MODEL	START Y.	END Y.
RANGER (ER, EQ, R_)	1997/04	2011/12

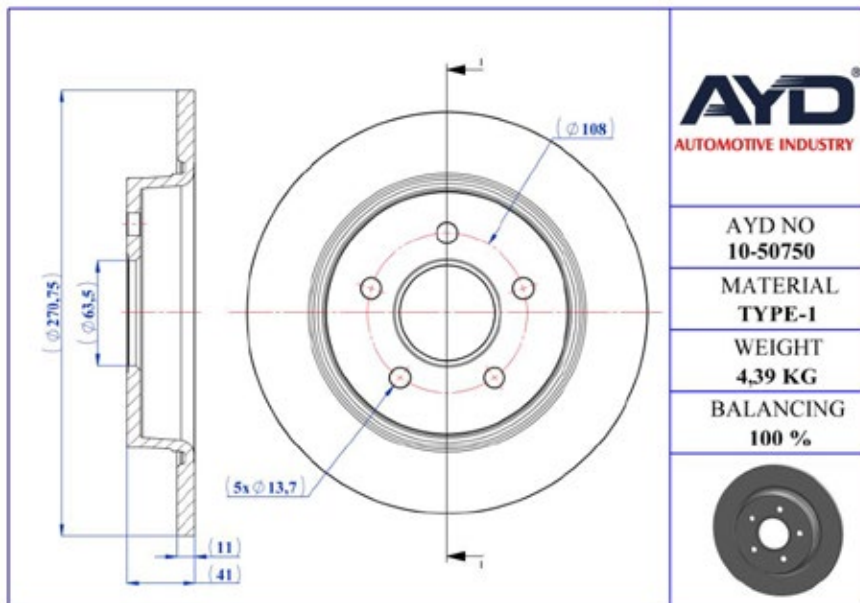


BRAKE DISC

- Rear Axle
- Solid

- Safety
- Performance
- OEM Standarts
- AYD Quality

OE:
BV6Z2C026A
BV6Z2C026C
CV6Z2C026A



AYD
AUTOMOTIVE INDUSTRY

AYD NO
10-50750

MATERIAL
TYPE-1

WEIGHT
4.39 KG

BALANCING
100 %



10-50750

Technical Specifications:

Diameter (mm)	Height (mm)	Brake Disc Thickness (mm)	Min. Thickness (mm)	Centering Diameter (mm)	Bolt Hole Circle (mm)	Num. of Holes
270.75	41	11	9	63.5	108	5

FORD

MODEL	START Y.	END Y.
FOCUS III	2010/07	
FOCUS III Combi van	2012/02	
FOCUS III Sedan	2010/07	
FOCUS III Turnier	2010/07	
FOCUS III Van	2011/01	



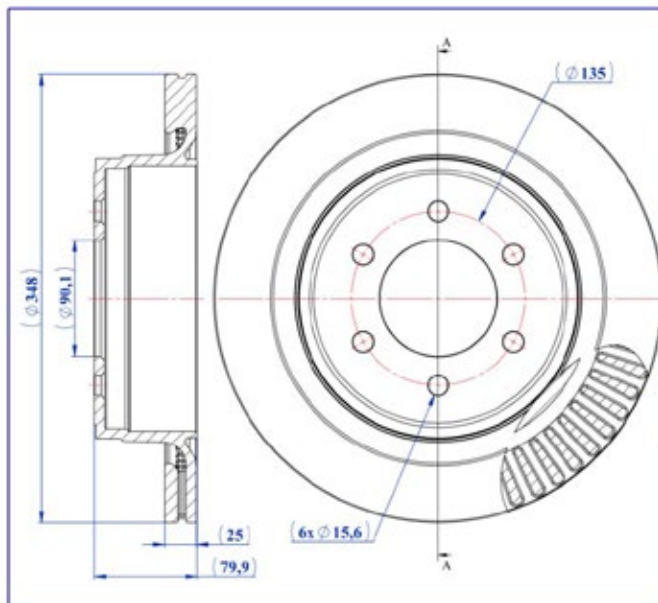
BRAKE DISC

- Rear Axle
- Vented

- Safety
- Performance
- OEM Standards
- AYD Quality

OE:
FL3Z2C026C

10-50634



AYD
AUTOMOTIVE INDUSTRY

AYD NO
10-50634

MATERIAL
TYPE-1

WEIGHT
11,53 KG

BALANCING
100 %



Technical Specifications:

Diameter (mm)	Height (mm)	Brake Disc Thickness (mm)	Min. Thickness (mm)	Centering Diameter (mm)	Bolt Hole Circle (mm)	Num. of Holes
348	79.9	25	23	90.1	135	6

FORD USA

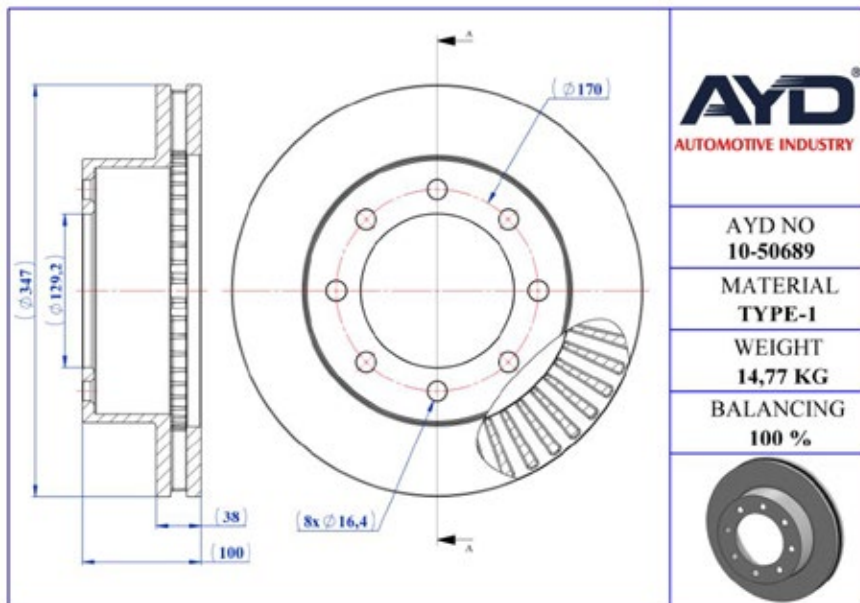
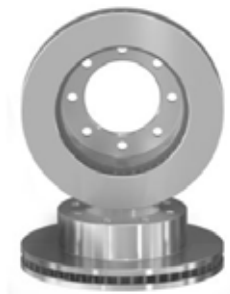
MODEL	START Y.	END Y.
F-150	2007/10	
F-150 Crew Cab Pickup	2014/09	
F-150 Crew Cab Pickup	2008/09	
F-150 Extended Cab Pickup	2014/09	
F-150 Extended Cab Pickup	2008/09	
F-150 Standard Cab Pickup	2014/09	



BRAKE DISC

- Front Axle
- Vented

- Safety
- Performance
- OEM Standarts
- AYD Quality



OE:
7U2Z1V125B

10-50689

Technical Specifications:

Diameter (mm)	Height (mm)	Brake Disc Thickness (mm)	Min. Thickness (mm)	Centering Diameter (mm)	Bolt Hole Circle (mm)	Num. of Holes
347	100	38	36.4	129.2	170	8

FORD USA

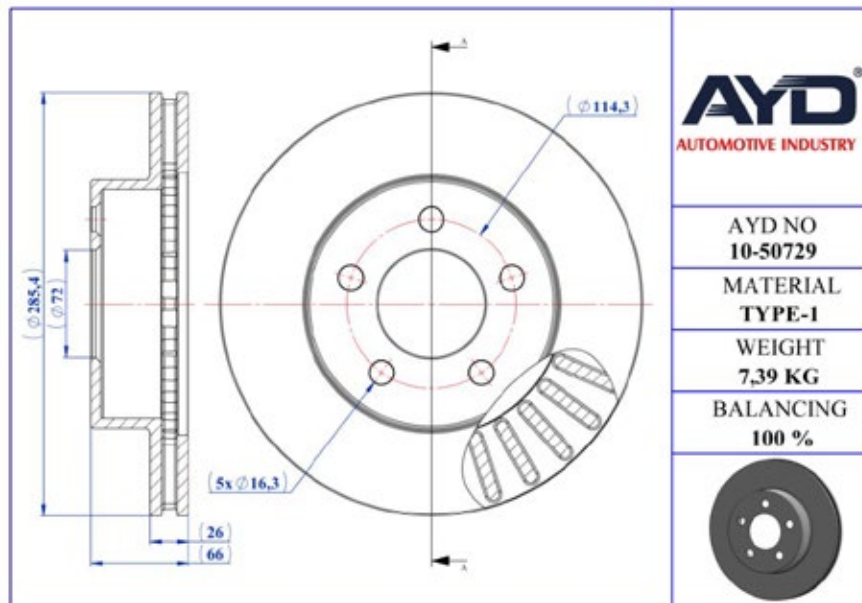
MODEL	START Y.	END Y.
F-250 SUPER DUTY Crew Cab Pickup	2007/09	2010/12
F-250 SUPER DUTY Extended Cab Pickup	2007/09	2010/12
F-250 SUPER DUTY Extended Cab Pickup	1998/09	2007/12
F-250 SUPER DUTY Standard Cab Pickup	2007/09	2010/12
F-250 SUPER DUTY Standard Cab Pickup	1998/09	2007/12
F-350 SUPER DUTY Cab & Chassis	2007/09	2010/12
F-350 SUPER DUTY Crew Cab Pickup	2007/09	2010/12
F-350 SUPER DUTY Crew Cab Pickup	1998/09	2007/12
F-350 SUPER DUTY Extended Cab Pickup	2007/09	2010/12
F-350 SUPER DUTY Extended Cab Pickup	1998/09	2007/12
F-350 SUPER DUTY Standard Cab Pickup	2007/09	2010/12



BRAKE DISC

- Front Axle
- Vented

- Safety
- Performance
- OEM Standarts
- AYD Quality



OE:
F67Z1125BA

10-50729

Technical Specifications:

Diameter (mm)	Height (mm)	Brake Disc Thickness (mm)	Min. Thickness (mm)	Centering Diameter (mm)	Bolt Hole Circle (mm)	Num. of Holes
285.4	66	26	24.5	72	114.3	5

FORD USA

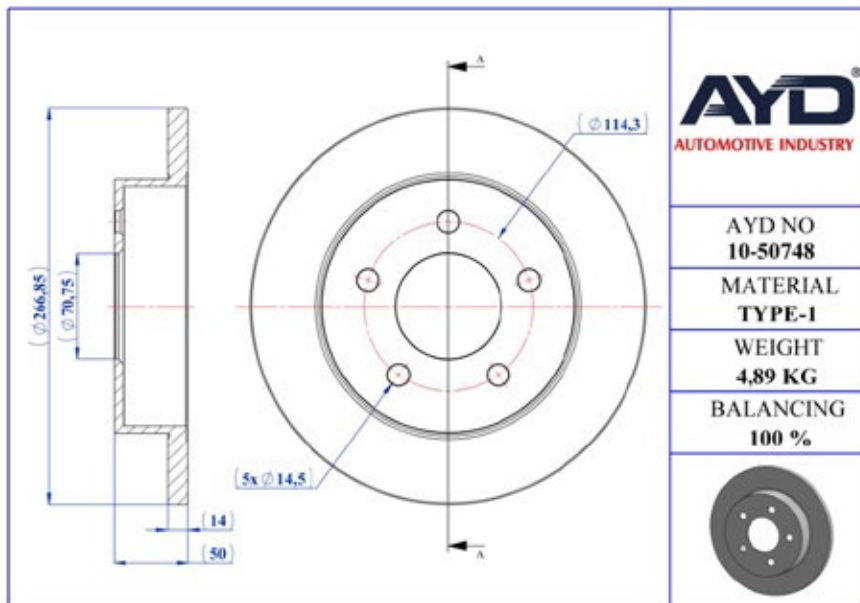
MODEL	START Y.	END Y.
EXPLORER (U2, U_)	1994/09	2003/04



BRAKE DISC

- Rear Axle
- Solid

- Safety
- Performance
- OEM Standarts
- AYD Quality



AYD
AUTOMOTIVE INDUSTRY

AYD NO
10-50748

MATERIAL
TYPE-1

WEIGHT
4.89 KG

BALANCING
100 %



OE:
F8ZZ2C026A

10-50748

Technical Specifications:

Diameter (mm)	Height (mm)	Brake Disc Thickness (mm)	Min. Thickness (mm)	Centering Diameter (mm)	Bolt Hole Circle (mm)	Num. of Holes
266.85	50	14	12.8	70.75	114.3	5

FORD USA

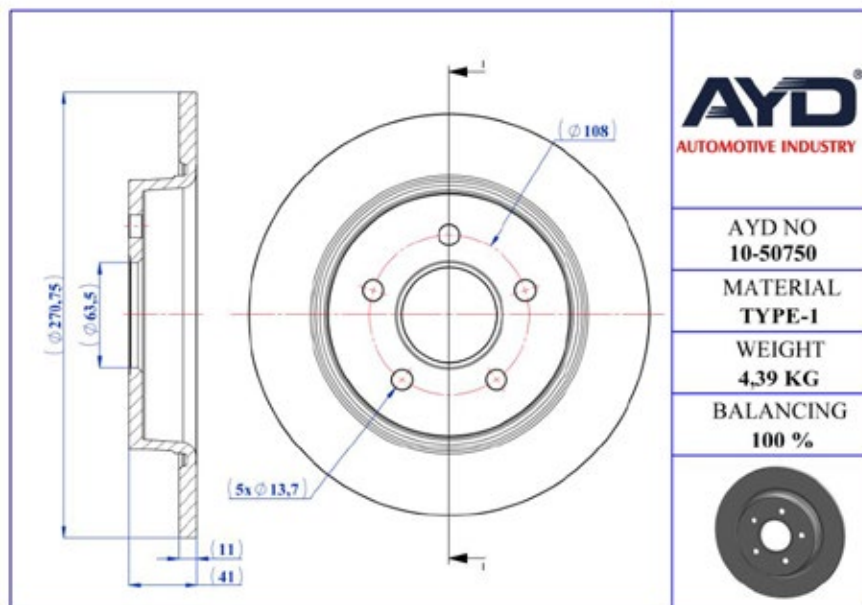
MODEL	START Y.	END Y.
MUSTANG Convertible (C)	1993/09	2004/12
MUSTANG Coupe (C)	1993/09	2004/12



BRAKE DISC

- Rear Axle
- Solid

- Safety
- Performance
- OEM Standarts
- AYD Quality



AYD
AUTOMOTIVE INDUSTRY

AYD NO
10-50750

MATERIAL
TYPE-1

WEIGHT
4.39 KG

BALANCING
100 %



OE:
CV6Z2C026A

10-50750

Technical Specifications:

Diameter (mm)	Height (mm)	Brake Disc Thickness (mm)	Min. Thickness (mm)	Centering Diameter (mm)	Bolt Hole Circle (mm)	Num. of Holes
270.75	41	11	9	63.5	108	5

FORD USA

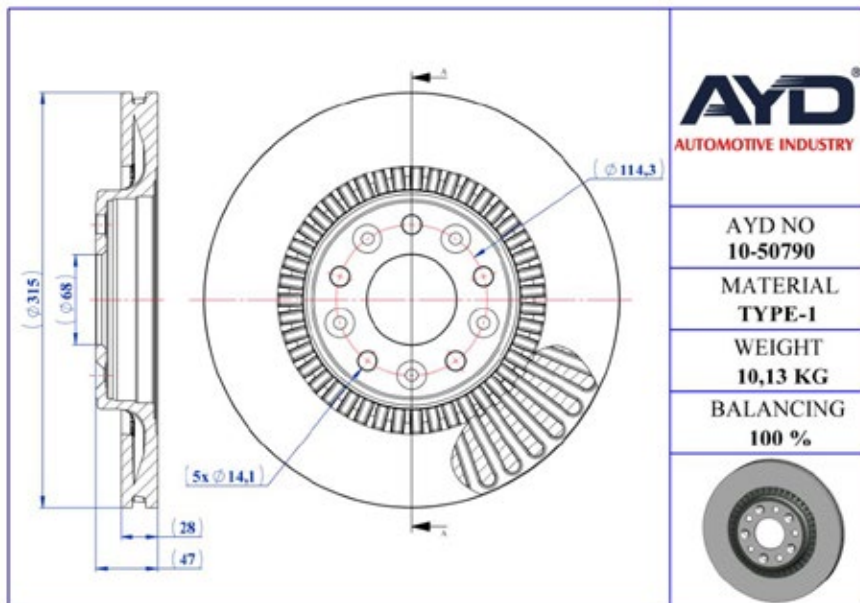
MODEL	START Y.	END Y.
FOCUS	2007/09	2011/12
FOCUS Coupe	2007/09	2011/12



BRAKE DISC

- Front Axle
- Vented

- Safety
- Performance
- OEM Standarts
- AYD Quality



AYD
AUTOMOTIVE INDUSTRY

AYD NO
10-50790

MATERIAL
TYPE-1

WEIGHT
10,13 KG

BALANCING
100 %



OE:
8G1Z1125B

10-50790

Technical Specifications:

Diameter (mm)	Height (mm)	Brake Disc Thickness (mm)	Min. Thickness (mm)	Centering Diameter (mm)	Bolt Hole Circle (mm)	Num. of Holes
315	47	28	26.5	68	114.3	5+5

FORD USA

MODEL	START Y.	END Y.
FIVE HUNDRED	2004/08	
FREESTYLE Station wagon	2004/09	2007/12
TAURUS Sedan	2007/09	2011/12
TAURUS X Station wagon	2007/09	2009/12



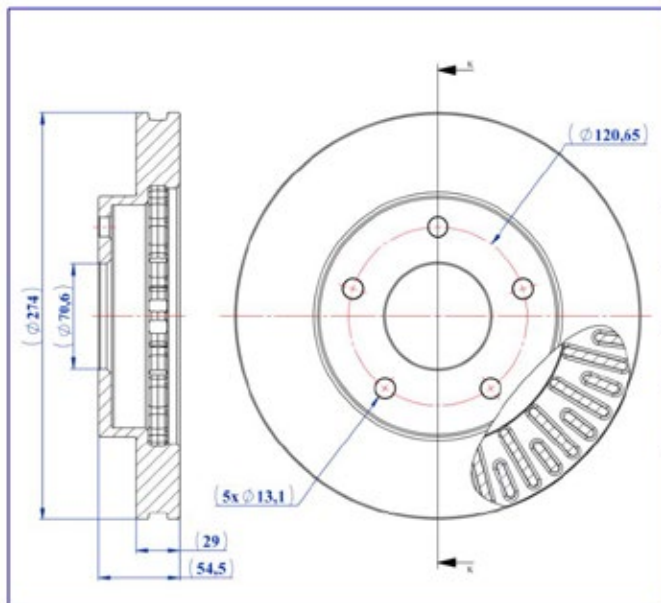
BRAKE DISC

- Front Axle
- Vented

- Safety
- Performance
- OEM Standarts
- AYD Quality

OE:
19175070

10-50784



AYD
AUTOMOTIVE INDUSTRY

AYD NO
10-50784

MATERIAL
TYPE-1

WEIGHT
6,82 KG

BALANCING
100 %



Technical Specifications:

Diameter (mm)	Height (mm)	Brake Disc Thickness (mm)	Min. Thickness (mm)	Centering Diameter (mm)	Bolt Hole Circle (mm)	Num. of Holes
274	54.5	29	27.5	70.6	120.65	5

GMC

MODEL	START Y.	END Y.
SONOMA Crew Cab Pickup	1993/09	2004/12
SONOMA Extended Cab Pickup	1993/09	2004/12

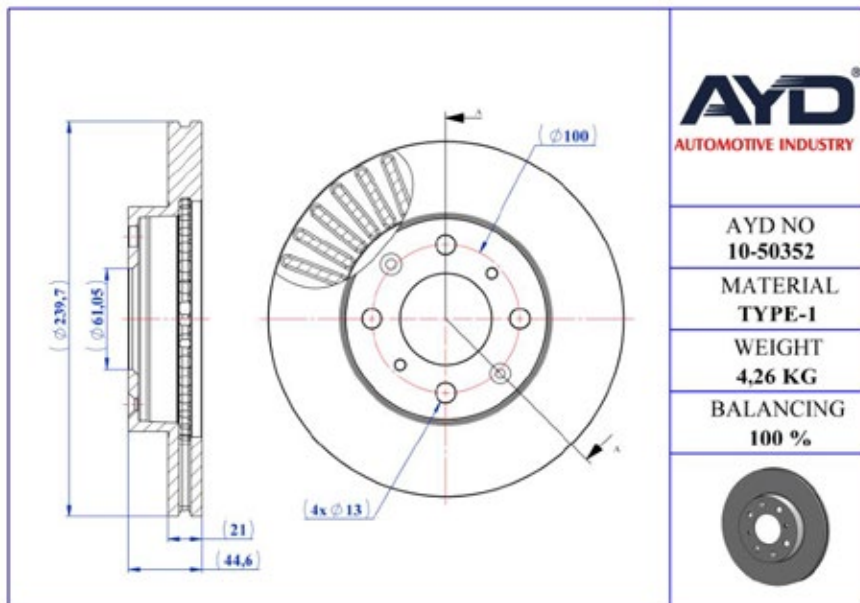


BRAKE DISC

- Front Axle
- Vented

- Safety
- Performance
- OEM Standarts
- AYD Quality

OE:
45251SH1A00
452515H3A00
45251SR3A10



AYD
AUTOMOTIVE INDUSTRY

AYD NO
10-50352

MATERIAL
TYPE-1

WEIGHT
4.26 KG

BALANCING
100 %



10-50352

Technical Specifications:

Diameter (mm)	Height (mm)	Brake Disc Thickness (mm)	Min. Thickness (mm)	Centering Diameter (mm)	Bolt Hole Circle (mm)	Num. of Holes
239.7	44.6	21	19	61.05	100	4+4

HONDA

MODEL	START Y.	END Y.
CIVIC V Coupe (EJ)	1993/08	1996/03
CIVIC V Hatchback (EG)	1991/10	1995/11
CIVIC V Sedan (EG, EH)	1991/10	1996/01
CIVIC VI Coupe (EJ, EM1)	1996/03	2000/12
CIVIC VI Hatchback (EJ, EK)	1995/10	2001/03
CIVIC VI Sedan (EJ, EK)	1995/06	2001/03

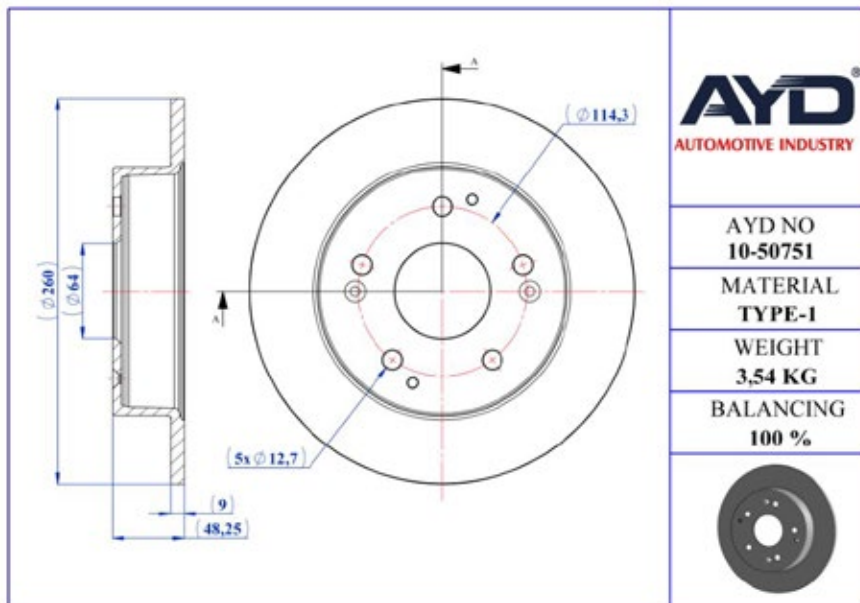
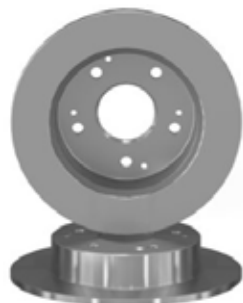


BRAKE DISC

- Rear Axle
- Solid

- Safety
- Performance
- OEM Standarts
- AYD Quality

OE:
42510S0D000
42510SEB000
42510S87A00



AYD
AUTOMOTIVE INDUSTRY

AYD NO
10-50751

MATERIAL
TYPE-1

WEIGHT
3,54 KG

BALANCING
100 %



10-50751

Technical Specifications:

Diameter (mm)	Height (mm)	Brake Disc Thickness (mm)	Min. Thickness (mm)	Centering Diameter (mm)	Bolt Hole Circle (mm)	Num. of Holes
260	48.25	9	8	64	114.3	5+4

HONDA

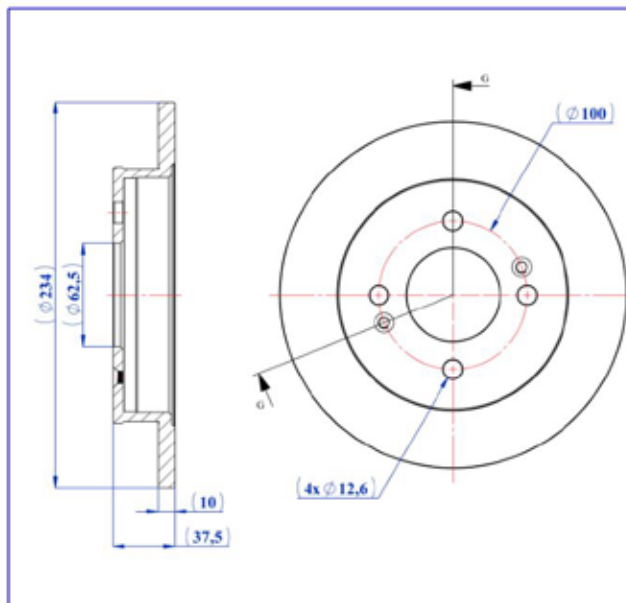
MODEL	START Y.	END Y.
ACCORD VI Coupe (CG)	1997/12	2003/06



BRAKE DISC

- Rear Axle
- Solid

- Safety
- Performance
- OEM Standarts
- AYD Quality



AYD
AUTOMOTIVE INDUSTRY

AYD NO
10-50201

MATERIAL
TYPE-1

WEIGHT
2,99 KG

BALANCING
100 %



OE:
584110X500

10-50201

Technical Specifications:

Diameter (mm)	Height (mm)	Brake Disc Thickness (mm)	Min. Thickness (mm)	Centering Diameter (mm)	Bolt Hole Circle (mm)	Num. of Holes
234	37.5	10	8.4	62.5	100	4+2

HYUNDAI

MODEL	START Y.	END Y.
i10 I (PA)	2007/10	

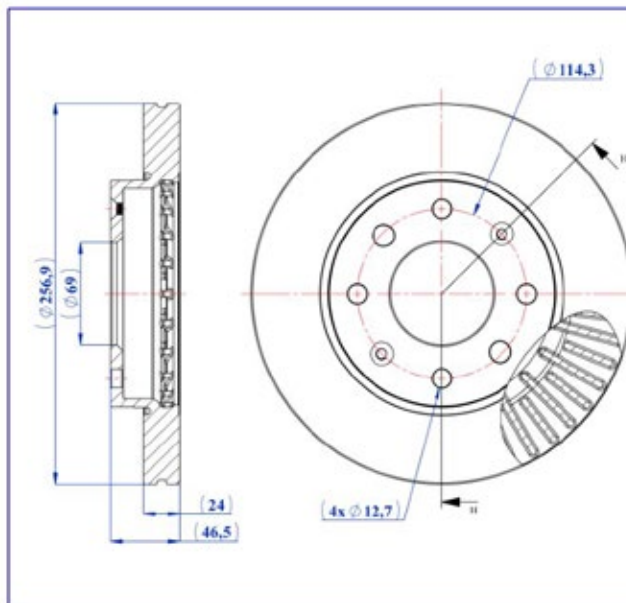


BRAKE DISC

- Front Axle
- Vented

- Safety
- Performance
- OEM Standarts
- AYD Quality

OE:
5171238100
517122D300
517122D310



AYD
AUTOMOTIVE INDUSTRY

AYD NO
10-50418

MATERIAL
TYPE-1

WEIGHT
5,91 KG

BALANCING
100 %



10-50418

Technical Specifications:

Diameter (mm)	Height (mm)	Brake Disc Thickness (mm)	Min. Thickness (mm)	Centering Diameter (mm)	Bolt Hole Circle (mm)	Num. of Holes
256.9	46.5	24	22.1	69	114.3	4+4

HYUNDAI

MODEL	START Y.	END Y.
COUPE I (RD)	1996/05	2002/04
LANTRA II (J-2)	1995/06	2000/12
LANTRA II Station wagon (J-2)	1995/06	2000/10
SONATA IV (EF)	1998/03	2005/12

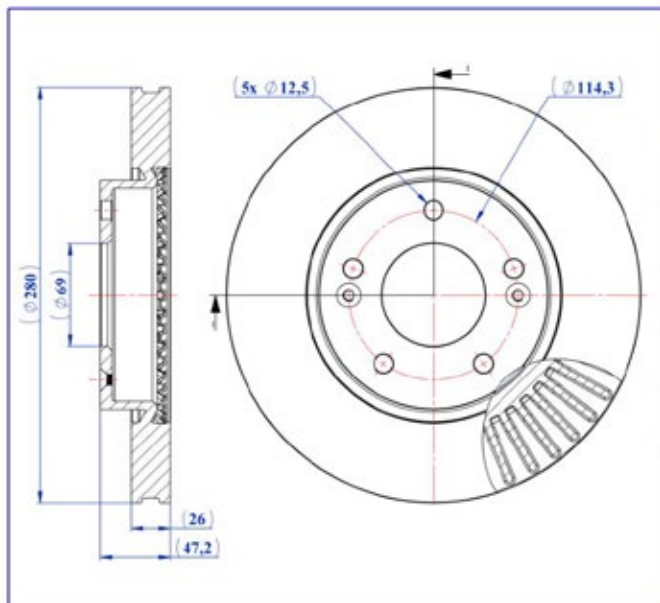


BRAKE DISC

- Front Axle
- Vented

- Safety
- Performance
- OEM Standarts
- AYD Quality

OE:
517121H000
517121H100
517122L000



AYD
AUTOMOTIVE INDUSTRY

AYD NO
10-50726

MATERIAL
TYPE-1

WEIGHT
6,52 KG

BALANCING
100 %



10-50726

Technical Specifications:

Diameter (mm)	Height (mm)	Brake Disc Thickness (mm)	Min. Thickness (mm)	Centering Diameter (mm)	Bolt Hole Circle (mm)	Num. of Holes
280	47.2	26	24.4	69	114.3	5+2

HYUNDAI

MODEL	START Y.	END Y.
COUPE II (GK)	2001/01	2012/12
i30 (FD)	2007/10	2012/05
i30 Station wagon (FD)	2007/10	2012/06
ix20 (JC)	2010/11	2019/07
SONATA V (NF)	2004/08	2014/11
SONATA VI (YF)	2009/06	2015/12
SONATA VII (LF)	2014/06	
TIBURON Coupe	2001/01	2008/12
TUCSON (JM)	2004/06	

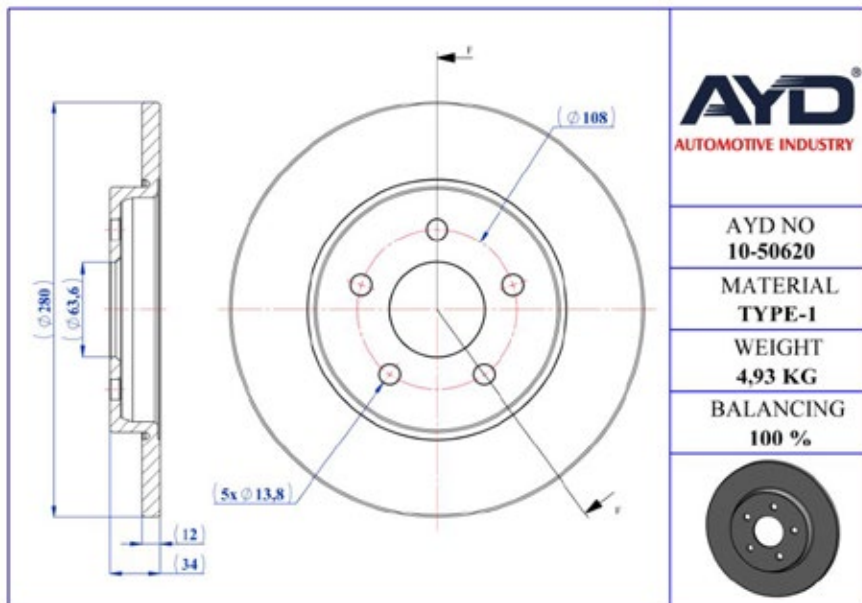
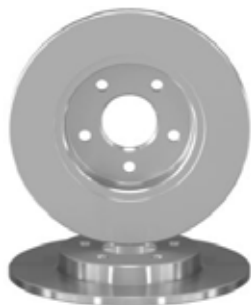


BRAKE DISC

- Rear Axle
- Solid

- Safety
- Performance
- OEM Standarts
- AYD Quality

OE:
C2S35271
C2S49730
C2S9231



AYD
AUTOMOTIVE INDUSTRY

AYD NO
10-50620

MATERIAL
TYPE-1

WEIGHT
4.93 KG

BALANCING
100 %



10-50620

Technical Specifications:

Diameter (mm)	Height (mm)	Brake Disc Thickness (mm)	Min. Thickness (mm)	Centering Diameter (mm)	Bolt Hole Circle (mm)	Num. of Holes
280	34	12	10	63.6	108	5

JAGUAR

MODEL	START Y.	END Y.
X-TYPE I (X400)	2001/03	2009/11
X-TYPE I Station wagon (X400)	2003/09	2009/12



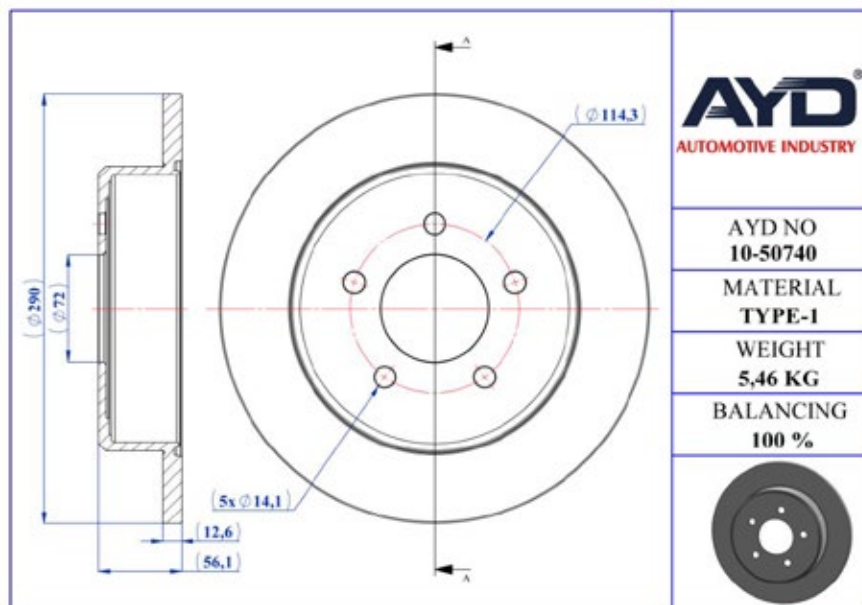
BRAKE DISC

- Rear Axle
- Solid

- Safety
- Performance
- OEM Standarts
- AYD Quality

OE:
4721023
V5018411AA

10-50740



AYD
AUTOMOTIVE INDUSTRY

AYD NO
10-50740

MATERIAL
TYPE-1

WEIGHT
5,46 KG

BALANCING
100 %



Technical Specifications:

Diameter (mm)	Height (mm)	Brake Disc Thickness (mm)	Min. Thickness (mm)	Centering Diameter (mm)	Bolt Hole Circle (mm)	Num. of Holes
290	56.1	12.6	11.25	72	114.3	5

JEEP

MODEL	START Y.	END Y.
CHEROKEE (KJ)	2001/03	2008/01



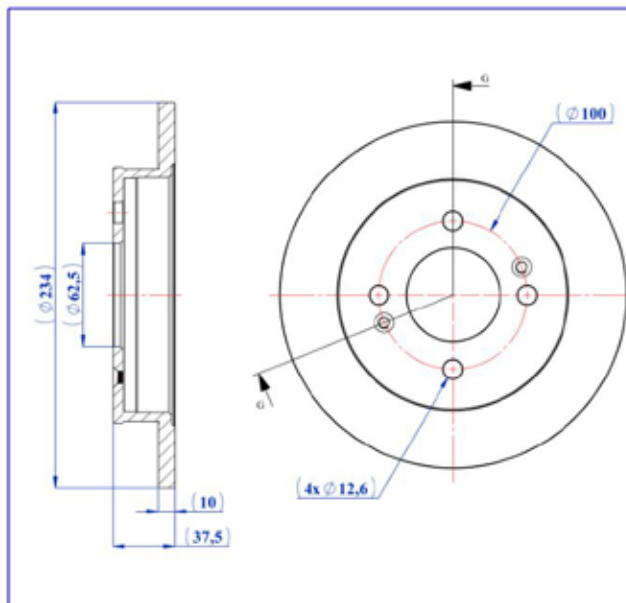
BRAKE DISC

- Rear Axle
- Solid

- Safety
- Performance
- OEM Standarts
- AYD Quality

OE:
5841107300
5841107500

10-50201



AYD
AUTOMOTIVE INDUSTRY

AYD NO
10-50201

MATERIAL
TYPE-1

WEIGHT
2,99 KG

BALANCING
100 %



Technical Specifications:

Diameter (mm)	Height (mm)	Brake Disc Thickness (mm)	Min. Thickness (mm)	Centering Diameter (mm)	Bolt Hole Circle (mm)	Num. of Holes
234	37.5	10	8.4	62.5	100	4+2

KIA

MODEL	START Y.	END Y.
PICANTO I (SA)	2004/04	2012/05
PICANTO II (TA)	2011/05	2017/05
PICANTO III (JA)	2017/03	



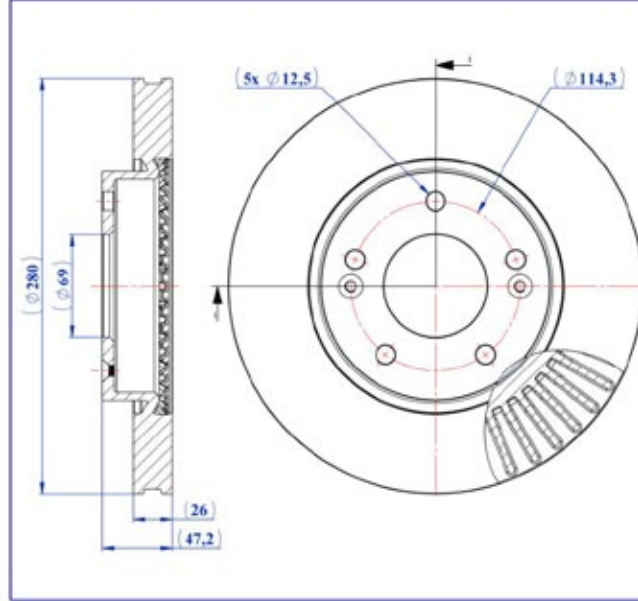
BRAKE DISC

- Rear Axle
- Solid

- Safety
- Performance
- OEM Standarts
- AYD Quality

OE:
517121M000
517121H000
517122K100

10-50726



AYD
AUTOMOTIVE INDUSTRY

AYD NO
10-50726

MATERIAL
TYPE-1

WEIGHT
6,52 KG

BALANCING
100 %



Technical Specifications:

Diameter (mm)	Height (mm)	Brake Disc Thickness (mm)	Min. Thickness (mm)	Centering Diameter (mm)	Bolt Hole Circle (mm)	Num. of Holes
280	47.2	26	24.4	69	114.3	5+2

KIA

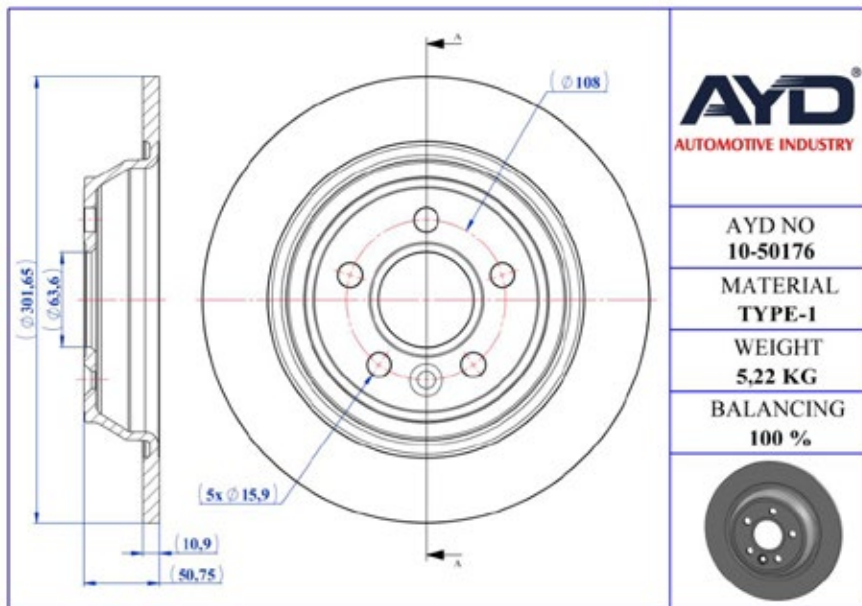
MODEL	BİTİŞ YILI	
CARENS III MPV (UN)	2006/05	
CEE'D (JD)	2012/05	2018/07
CEE'D Hatchback (ED)	2006/12	2012/12
CEE'D SW (ED)	2007/07	2012/12
CERATO II Sedan (TD)	2009/01	
CERATO III Sedan (YD)	2012/09	
CERATO KOUP II (TD)	2009/01	
CERATO KOUP III (YD)	2013/12	
MAGENTIS II (MG)	2005/10	2011/04
PRO CEE'D (ED)	2008/02	2013/02
SOUL I (AM)	2009/01	2014/12



BRAKE DISC

- Rear Axle
- Solid

- Safety
- Performance
- OEM Standarts
- AYD Quality



OE:
LR027123

10-50176

Technical Specifications:

Diameter (mm)	Height (mm)	Brake Disc Thickness (mm)	Min. Thickness (mm)	Centering Diameter (mm)	Bolt Hole Circle (mm)	Num. of Holes
301.65	50.75	10.9	9	63.6	108	5+1

LAND ROVER

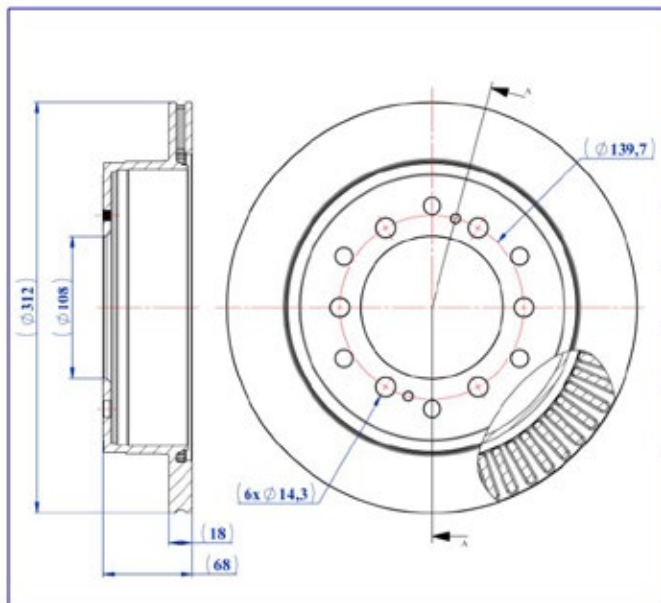
MODEL	START Y.	END Y.
RANGE ROVER EVOQUE (L538)	2011/06	2019/12
RANGE ROVER EVOQUE Cabrio (L538)	2015/11	2019/12



BRAKE DISC

- Rear Axle
- Vented

- Safety
- Performance
- OEM Standarts
- AYD Quality



AYD
AUTOMOTIVE INDUSTRY

AYD NO
10-50788

MATERIAL
TYPE-1

WEIGHT
6,34 KG

BALANCING
100 %



OE:
4243160311

10-50788

Technical Specifications:

Diameter (mm)	Height (mm)	Brake Disc Thickness (mm)	Min. Thickness (mm)	Centering Diameter (mm)	Bolt Hole Circle (mm)	Num. of Holes
312	68	18	16	108	139.7	6+8

LEXUS

MODEL	START Y.	END Y.
GX (URJ15_, GRJ15_)	2009/11	

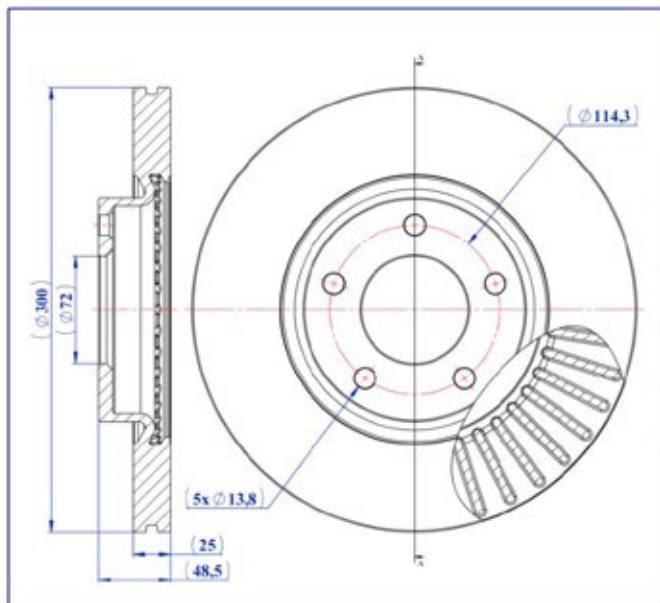


BRAKE DISC

- Front Axle
- Vented

- Safety
- Performance
- OEM Standarts
- AYD Quality

OE:
BP6Y3325XD
BP6Y3325XE
BP6Y3325XF



AYD
AUTOMOTIVE INDUSTRY

AYD NO
10-50478

MATERIAL
TYPE-1

WEIGHT
8,17 KG

BALANCING
100 %



10-50478

Technical Specifications:

Diameter (mm)	Height (mm)	Brake Disc Thickness (mm)	Min. Thickness (mm)	Centering Diameter (mm)	Bolt Hole Circle (mm)	Num. of Holes
300	48.5	25	23	72	114.3	5

MAZDA

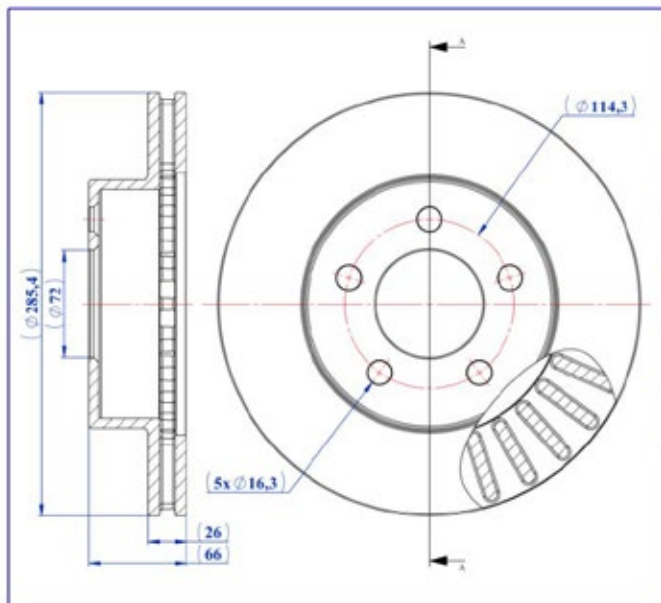
MODEL	START Y.	END Y.
3 (BK)	2003/10	2009/12
3 (BL)	2008/12	2014/09
3 Sedan (BK)	1999/09	2009/12
3 Sedan (BL)	2008/12	2014/12
5 (CR19)	2005/02	2010/12
5 (CW)	2010/06	



BRAKE DISC

- Front Axle
- Vented

- Safety
- Performance
- OEM Standarts
- AYD Quality



AYD NO
10-50729

MATERIAL
TYPE-1

WEIGHT
7,39 KG

BALANCING
100 %



OE:
F67Z1125BA

10-50729

Technical Specifications:

Diameter (mm)	Height (mm)	Brake Disc Thickness (mm)	Min. Thickness (mm)	Centering Diameter (mm)	Bolt Hole Circle (mm)	Num. of Holes
285.4	66	26	24.5	72	114.3	5

MERCURY

MODEL	START Y.	END Y.
MOUNTAINEER	1996/09	2001/12

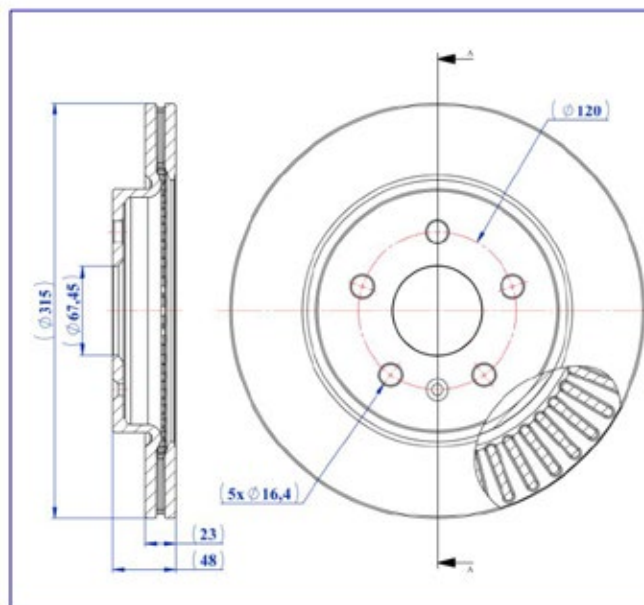


BRAKE DISC

- Rear Axle
- Vented

- Safety
- Performance
- OEM Standarts
- AYD Quality

OE:
569062
569128
13502199



AYD
AUTOMOTIVE INDUSTRY

AYD NO
10-50385

MATERIAL
TYPE-1

WEIGHT
8,38 KG

BALANCING
100 %



10-50385

Technical Specifications:

Diameter (mm)	Height (mm)	Brake Disc Thickness (mm)	Min. Thickness (mm)	Centering Diameter (mm)	Bolt Hole Circle (mm)	Num. of Holes
315	48	23	21.5	67.45	120	5+1

OPEL

MODEL	START Y.	END Y.
INSIGNIA A (G09)	2008/07	2017/03
INSIGNIA A Sedan (G09)	2008/07	2017/03
INSIGNIA A Sports Tourer (G09)	2008/07	2017/03



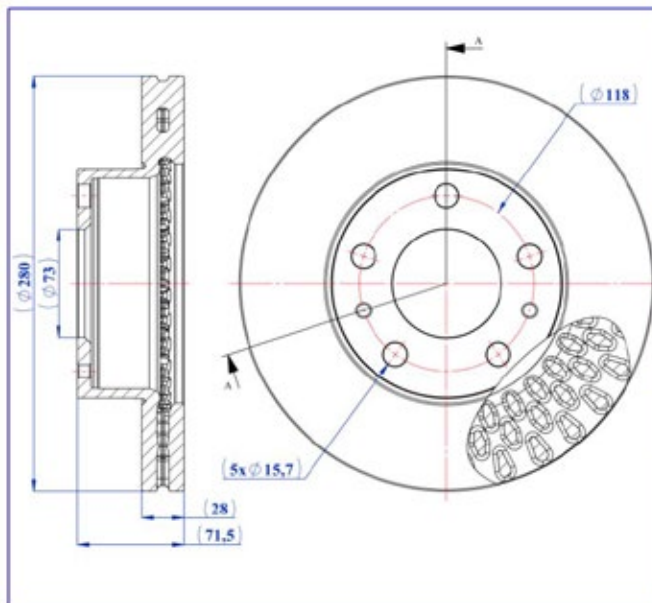
BRAKE DISC

- Front Axle
- Vented

- Safety
- Performance
- OEM Standarts
- AYD Quality

OE:
1612435180
1612435280

10-50739



AYD
AUTOMOTIVE INDUSTRY

AYD NO
10-50739

MATERIAL
TYPE-1

WEIGHT
8,55 KG

BALANCING
100 %



Technical Specifications:

Diameter (mm)	Height (mm)	Brake Disc Thickness (mm)	Min. Thickness (mm)	Centering Diameter (mm)	Bolt Hole Circle (mm)	Num. of Holes
280	71.5	28	25.9	73	118	5+2

PEUGEOT

MODEL	START Y.	END Y.
BOXER Minibus/Bus	2005/09	
BOXER Panelvan/Van	2006/04	
BOXER Platform	2006/04	



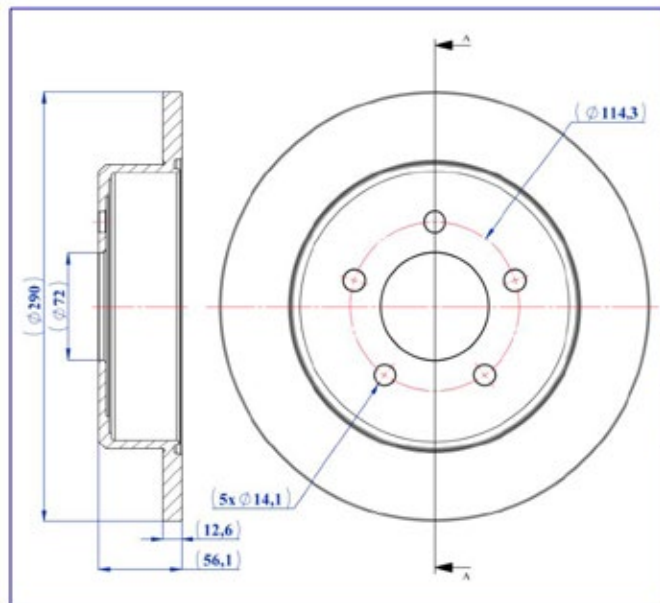
BRAKE DISC

- Rear Axle
- Solid

- Safety
- Performance
- OEM Standarts
- AYD Quality

OE:
4721023AG

10-50740



AYD
AUTOMOTIVE INDUSTRY

AYD NO
10-50740

MATERIAL
TYPE-1

WEIGHT
5,46 KG

BALANCING
100 %



Technical Specifications:

Diameter (mm)	Height (mm)	Brake Disc Thickness (mm)	Min. Thickness (mm)	Centering Diameter (mm)	Bolt Hole Circle (mm)	Num. of Holes
290	56.1	12.6	11.25	72	114.3	5

PLYMOUTH

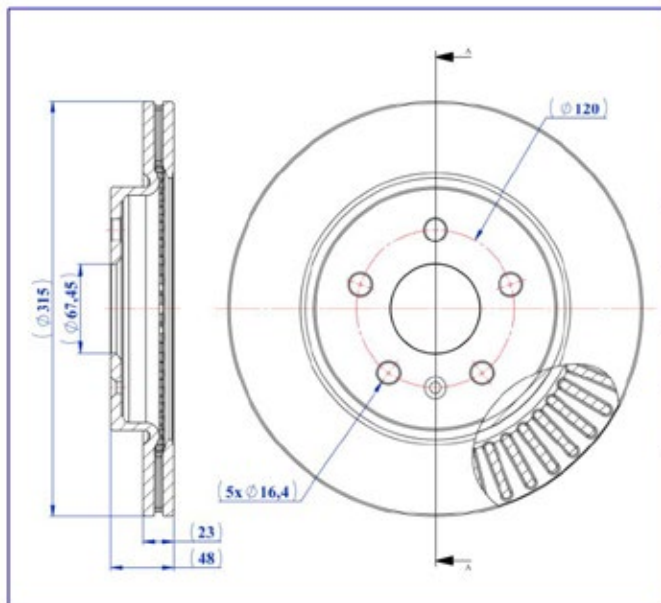
MODEL	START Y.	END Y.
VOYAGER / GRAND VOYAGER	1995/01	2001/03



BRAKE DISC

- Rear Axle
- Vented

- Safety
- Performance
- OEM Standarts
- AYD Quality



AYD NO
10-50385

MATERIAL
TYPE-1

WEIGHT
8,38 KG

BALANCING
100 %



OE:
13502199

10-50385

Technical Specifications:

Diameter (mm)	Height (mm)	Brake Disc Thickness (mm)	Min. Thickness (mm)	Centering Diameter (mm)	Bolt Hole Circle (mm)	Num. of Holes
315	48	23	21.5	67.45	120	5+1

SAAB

MODEL	START Y.	END Y.
9-5 (YS3G)	2010/01	2012/01



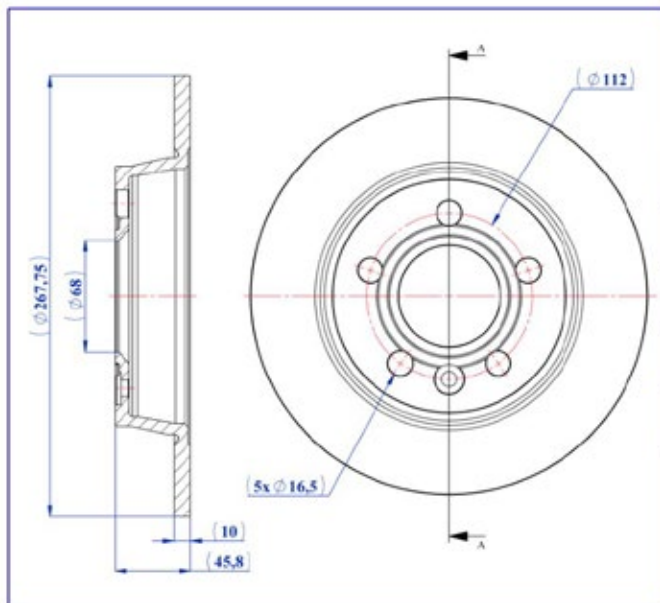
BRAKE DISC

- Rear Axle
- Solid

- Safety
- Performance
- OEM Standarts
- AYD Quality

OE:
7M0615601A
7M0615601C

10-50268



AYD
AUTOMOTIVE INDUSTRY

AYD NO
10-50268

MATERIAL
TYPE-1

WEIGHT
4,16 KG

BALANCING
100 %



Technical Specifications:

Diameter (mm)	Height (mm)	Brake Disc Thickness (mm)	Min. Thickness (mm)	Centering Diameter (mm)	Bolt Hole Circle (mm)	Num. of Holes
267.75	45.8	10	8	68	112	5+1

SEAT

MODEL	START Y.	END Y.
ALHAMBRA (7V8, 7V9)	1996/04	2010/03



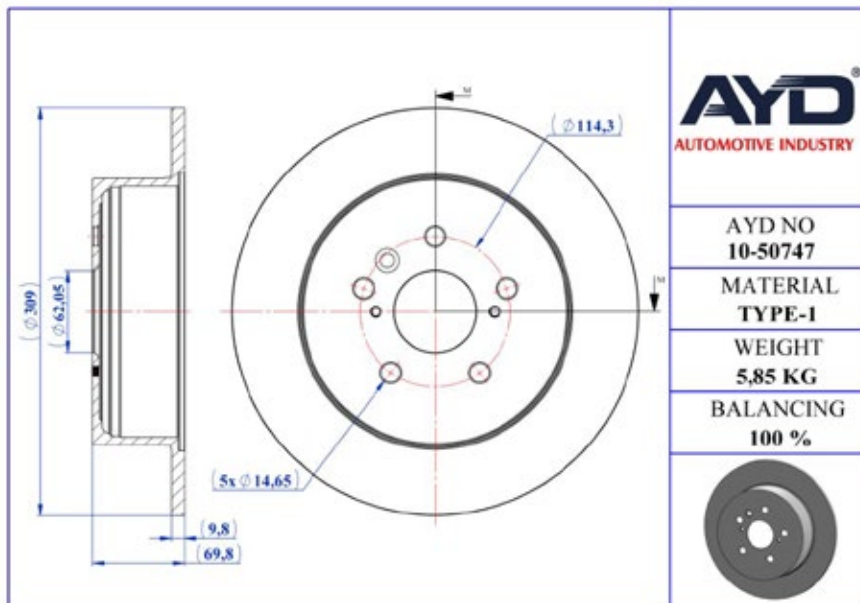
BRAKE DISC

- Rear Axle
- Solid

- Safety
- Performance
- OEM Standarts
- AYD Quality

OE:
4243148060
424310E040

10-50747



AYD
AUTOMOTIVE INDUSTRY

AYD NO
10-50747

MATERIAL
TYPE-1

WEIGHT
5,85 KG

BALANCING
100 %



Technical Specifications:

Diameter (mm)	Height (mm)	Brake Disc Thickness (mm)	Min. Thickness (mm)	Centering Diameter (mm)	Bolt Hole Circle (mm)	Num. of Holes
309	69.8	9.8	8.5	62.05	114.3	5+3

TOYOTA

MODEL	START Y.	END Y.
HIGHLANDER / KLUGER (_U4_)	2007/05	2014/08



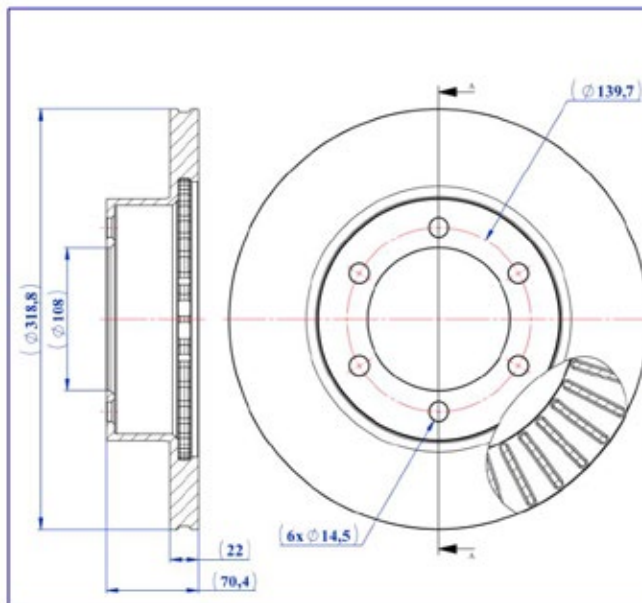
BRAKE DISC

- Front Axle
- Vented

- Safety
- Performance
- OEM Standarts
- AYD Quality

OE:
4351235210
4351260120

10-50787



AYD
AUTOMOTIVE INDUSTRY

AYD NO
10-50787

MATERIAL
TYPE-1

WEIGHT
6,68 KG

BALANCING
100 %



Technical Specifications:

Diameter (mm)	Height (mm)	Brake Disc Thickness (mm)	Min. Thickness (mm)	Centering Diameter (mm)	Bolt Hole Circle (mm)	Num. of Holes
318.8	70.4	22	20	108	139.7	6

TOYOTA

MODEL	START Y.	END Y.
4 RUNNER III (_N18_)	1995/11	2003/07
LAND CRUISER 90 (_J9_)	1995/04	



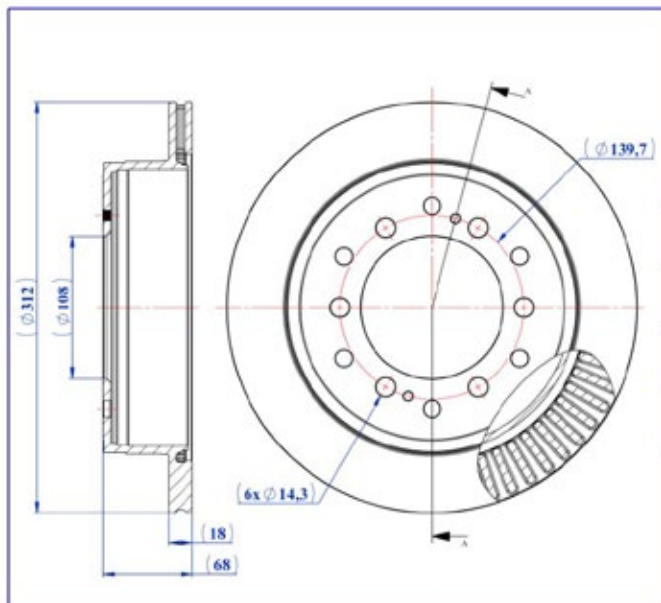
BRAKE DISC

- Rear Axle
- Vented

- Safety
- Performance
- OEM Standarts
- AYD Quality

OE:
4243160311
424310K230

10-50788



AYD
AUTOMOTIVE INDUSTRY

AYD NO
10-50788

MATERIAL
TYPE-1

WEIGHT
6,34 KG

BALANCING
100 %



Technical Specifications:

Diameter (mm)	Height (mm)	Brake Disc Thickness (mm)	Min. Thickness (mm)	Centering Diameter (mm)	Bolt Hole Circle (mm)	Num. of Holes
312	68	18	16	108	139.7	6+8

TOYOTA

MODEL	START Y.	END Y.
4 RUNNER V (_N28_)	2009/03	
FJ CRUISER (GSJ1_)	2005/06	2018/01
FORTUNER (_N15_, _N16_)	2015/05	
FORTUNER (_N5_, _N6_)	2004/06	2015/09
LAND CRUISER 200 (_J2_)	2007/08	
LAND CRUISER PRADO (_J15_)	2009/07	
LAND CRUISER VAN (_J15_)	2011/01	

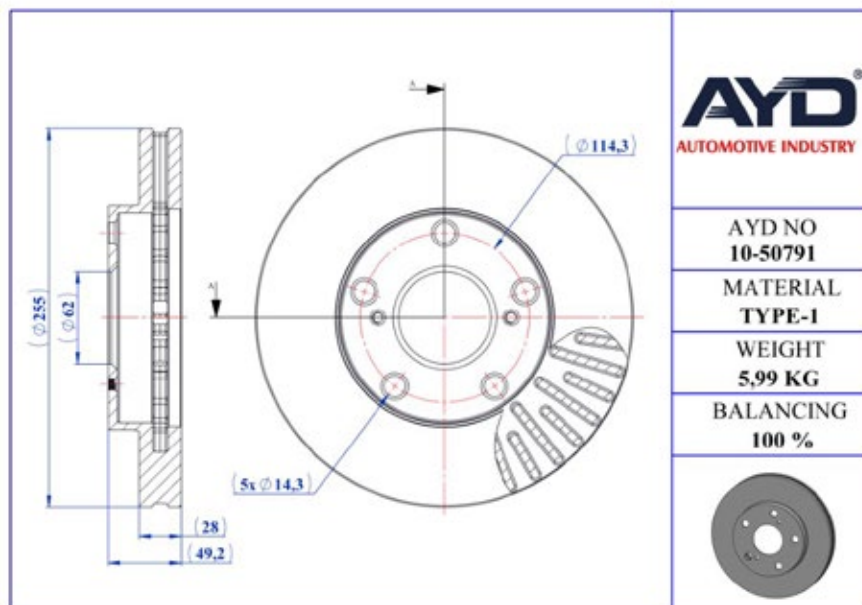


BRAKE DISC

- Front Axle
- Vented

- Safety
- Performance
- OEM Standarts
- AYD Quality

OE:
4351206010
4351233020
4351233050



AYD
AUTOMOTIVE INDUSTRY

AYD NO
10-50791

MATERIAL
TYPE-1

WEIGHT
5,99 KG

BALANCING
100 %



10-50791

Technical Specifications:

Diameter (mm)	Height (mm)	Brake Disc Thickness (mm)	Min. Thickness (mm)	Centering Diameter (mm)	Bolt Hole Circle (mm)	Num. of Holes
255	49.2	28	26	62	114.3	5+2

TOYOTA

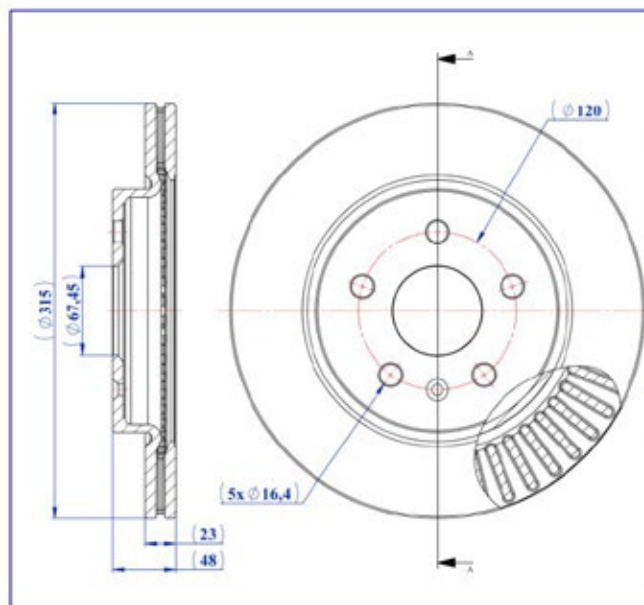
MODEL	START Y.	END Y.
CAMRY (_V1_)	1990/07	1998/06
CAMRY Station wagon (_V1_)	1991/06	1997/08
PICNIC (_XM1_)	1996/05	2001/12



BRAKE DISC

- Rear Axle
- Vented

- Safety
- Performance
- OEM Standarts
- AYD Quality



AYD
AUTOMOTIVE INDUSTRY

AYD NO
10-50385

MATERIAL
TYPE-1

WEIGHT
8,38 KG

BALANCING
100 %



OE:
13501303

10-50385

Technical Specifications:

Diameter (mm)	Height (mm)	Brake Disc Thickness (mm)	Min. Thickness (mm)	Centering Diameter (mm)	Bolt Hole Circle (mm)	Num. of Holes
315	48	23	21.5	67.45	120	5+1

VAUXHALL

MODEL	START Y.	END Y.
INSIGNIA Mk I (A) Hatchback (G09)	2008/07	2017/05
INSIGNIA Mk I (A) Sedan (G09)	2008/07	2017/05
INSIGNIA Mk I (A) Sports Tourer (G09)	2008/07	2017/05

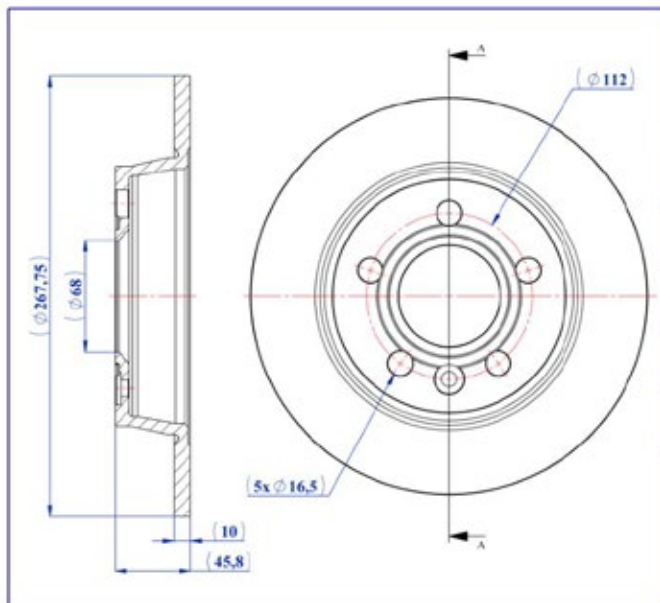


BRAKE DISC

- Rear Axle
- Solid

- Safety
- Performance
- OEM Standarts
- AYD Quality

OE:
7M0615601A
7M0615601B
7M0615601C



AYD
AUTOMOTIVE INDUSTRY

AYD NO
10-50268

MATERIAL
TYPE-1

WEIGHT
4,16 KG

BALANCING
100 %



10-50268

Technical Specifications:

Diameter (mm)	Height (mm)	Brake Disc Thickness (mm)	Min. Thickness (mm)	Centering Diameter (mm)	Bolt Hole Circle (mm)	Num. of Holes
267.75	45.8	10	8	68	112	5+1

VW

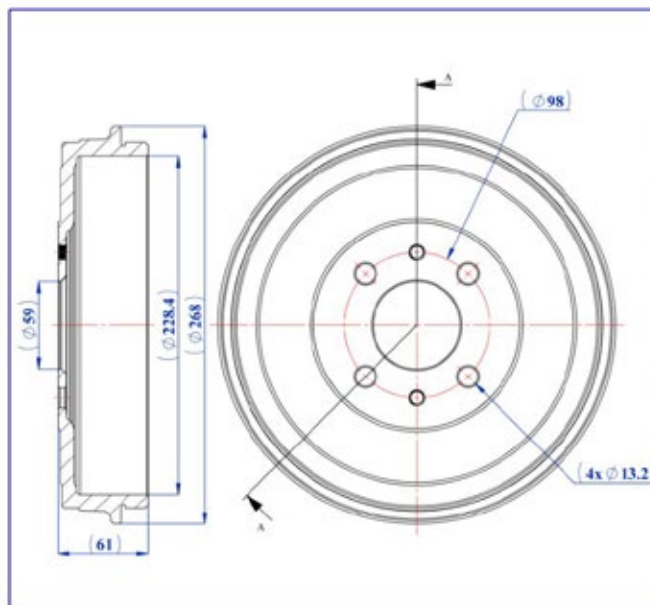
MODEL	START Y.	END Y.
SHARAN (7M8, 7M9, 7M6)	1995/05	2010/03



BRAKE DRUM

· Rear Axle

- Safety
- Performance
- OEM Standarts
- AYD Quality



AYD
AUTOMOTIVE INDUSTRY

AYD NO
13-50682

MATERIAL
TYPE-1

WEIGHT
5,83 KG

BALANCING
100 %



OE:
60810025

13-50682

Technical Specifications:

Diameter (mm)	Height (mm)	Brake Diameter Inside (mm)	Max. Skimmed Drum Mea. (mm)	Centering Diameter (mm)	Bolt Hole Circle (mm)	Num. of Holes
268	61	228.4	230	59	98	4+2

ALFA ROMEO

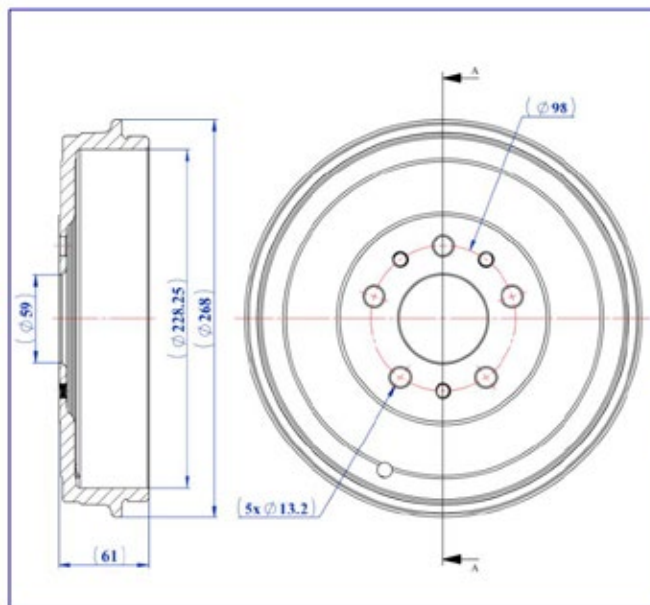
MODEL	START Y.	END Y.
145 (930_)	1994/07	2001/01
146 (930_)	1994/12	2001/10



BRAKE DRUM

· Rear Axle

- Safety
- Performance
- OEM Standarts
- AYD Quality



AYD
AUTOMOTIVE INDUSTRY

AYD NO
13-50683

MATERIAL
TYPE-1

WEIGHT
5,82 KG

BALANCING
100 %



OE:
60810025
60814839

13-50683

Technical Specifications:

Diameter (mm)	Height (mm)	Brake Diameter Inside (mm)	Max. Skimmed Drum Mea. (mm)	Centering Diameter (mm)	Bolt Hole Circle (mm)	Num. of Holes
268	61	228.25	230	59	98	5+4

ALFA ROMEO

MODEL	START Y.	END Y.
145 (930_)	1994/07	2001/01
146 (930_)	1994/12	2001/10

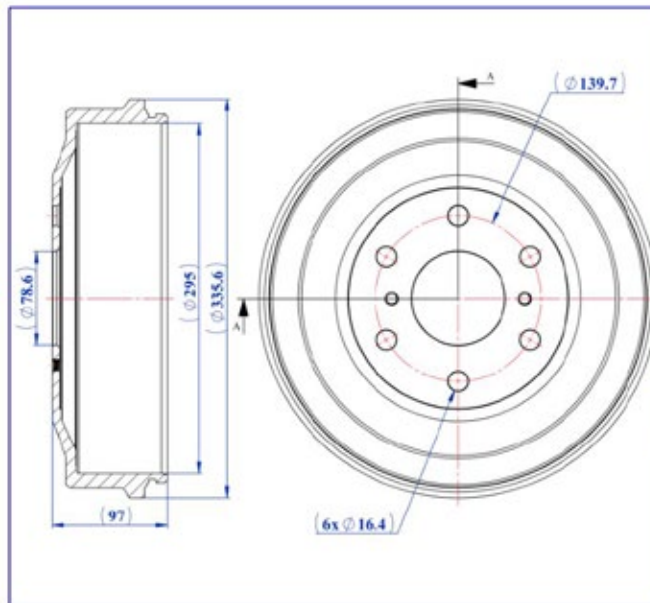


BRAKE DRUM

• Rear Axle

- Safety
- Performance
- OEM Standards
- AYD Quality

OE:
22874950
25832104
25976967



AYD
AUTOMOTIVE INDUSTRY

AYD NO
13-50684

MATERIAL
TYPE-1

WEIGHT
10,91 KG

BALANCING
100 %



13-50684

Technical Specifications:

Diameter (mm)	Height (mm)	Brake Diameter Inside (mm)	Max. Skimmed Drum Mea. (mm)	Centering Diameter (mm)	Bolt Hole Circle (mm)	Num. of Holes
335.6	97	295	296.5	78.6	139.7	6+2

CHEVROLET

MODEL	START Y.	END Y.
SILVERADO 1500 Crew Cab Pickup	2007/09	2013/12
SILVERADO 1500 Extended Cab Pickup	2007/09	2013/12
SILVERADO 1500 Standard Cab Pickup	2007/09	2013/12

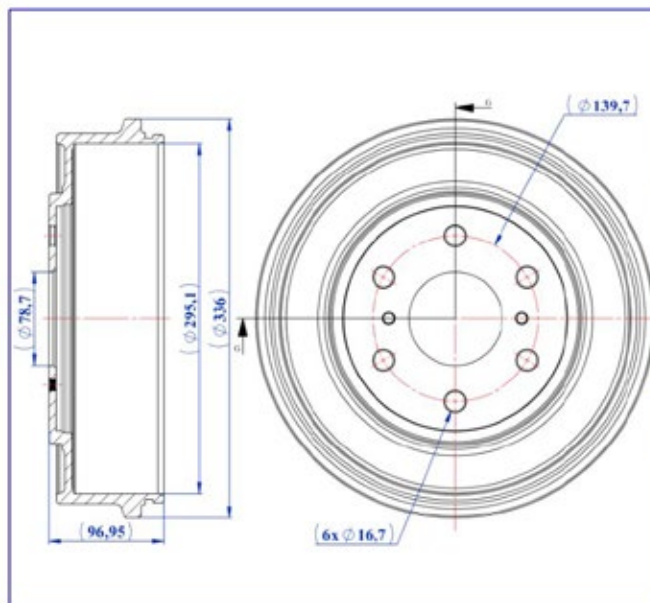


BRAKE DRUM

• Rear Axle

- Safety
- Performance
- OEM Standards
- AYD Quality

OE:
19133374
89059149



AYD
AUTOMOTIVE INDUSTRY

AYD NO
13-50905

MATERIAL
TYPE-1

WEIGHT
9,97 KG

BALANCING
100 %



13-50905

Technical Specifications:

Diameter (mm)	Height (mm)	Brake Diameter Inside (mm)	Max. Skimmed Drum Mea. (mm)	Centering Diameter (mm)	Bolt Hole Circle (mm)	Num. of Holes
336	96.95	295.1	296.5	78.7	139.7	6+2

CHEVROLET

MODEL	START Y.	END Y.
SILVERADO 1500	1997/09	2007/12
SILVERADO 1500 Crew Cab Pickup	1997/09	2007/12
SILVERADO 1500 Extended Cab Pickup	1997/09	2007/12

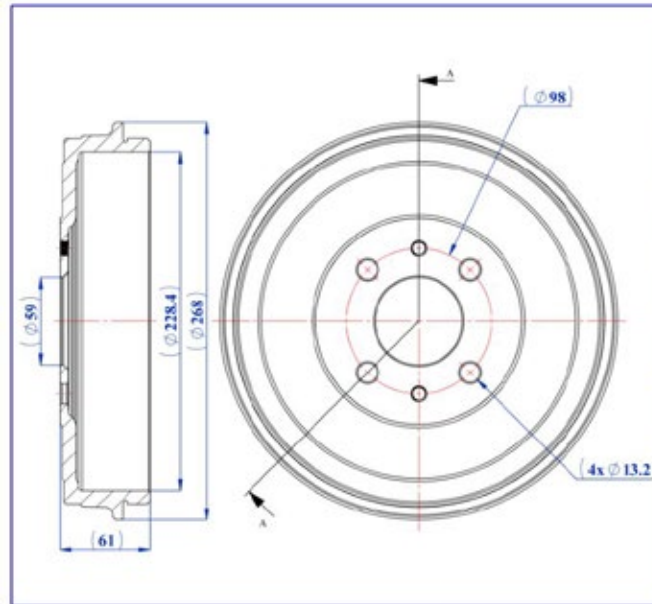


BRAKE DRUM

· Rear Axle

- Safety
- Performance
- OEM Standarts
- AYD Quality

OE:
7769850
51864509
52015299



AYD[®]
AUTOMOTIVE INDUSTRY

AYD NO
13-50682

MATERIAL
TYPE-1

WEIGHT
5,83 KG

BALANCING
100 %



13-50682

Technical Specifications:

Diameter (mm)	Height (mm)	Brake Diameter Inside (mm)	Max. Skimmed Drum Mea. (mm)	Centering Diameter (mm)	Bolt Hole Circle (mm)	Num. of Holes
268	61	228.4	230	59	98	4+2

FIAT

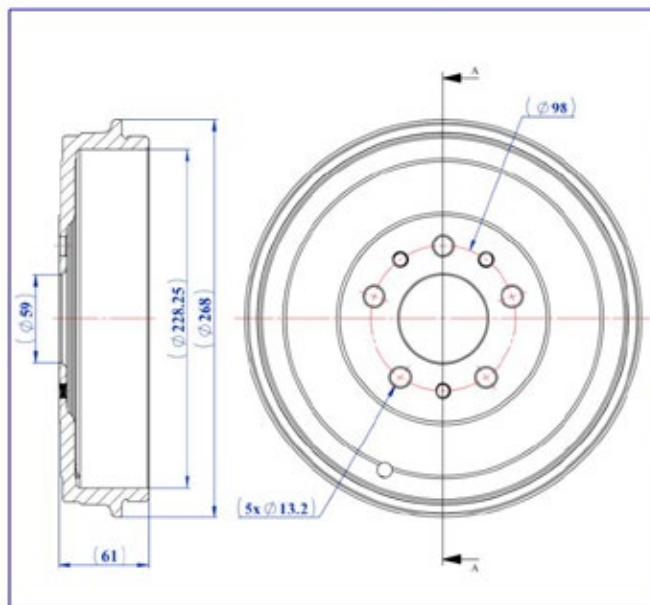
MODEL	START Y.	END Y.
DOBLO Cargo (263_)	2010/02	
DOBLO Limuzin (223_)	2000/11	
DOBLO Minibus/Bus (263_)	2009/11	
DOBLO MPV (119_, 223_)	2001/03	
DOBLO Platform (263_)	2010/02	
ELBA (146_)	1985/10	1997/12
FIORINO Limuzin (146_)	1988/01	
FIORINO Limuzin (225_)	2007/01	
FIORINO Limuzin (265_)	2013/11	
FIORINO Pick up (146_)	1988/01	2001/05
IDEA (350_)	2003/12	



BRAKE DRUM

• Rear Axle

- Safety
- Performance
- OEM Standards
- AYD Quality



AYD
AUTOMOTIVE INDUSTRY

AYD NO
13-50683

MATERIAL
TYPE-1

WEIGHT
5,82 KG

BALANCING
100 %



OE:
51860868
52015297

13-50683

Technical Specifications:

Diameter (mm)	Height (mm)	Brake Diameter Inside (mm)	Max. Skimmed Drum Mea. (mm)	Centering Diameter (mm)	Bolt Hole Circle (mm)	Num. of Holes
268	61	228.25	230	59	98	5+4

FIAT

MODEL	START Y.	END Y.
DOBLO Cargo (263_)	2010/02	
DOBLO Limuzin (223_)	2000/11	
DOBLO Minibus/Bus (263_)	2009/11	
DOBLO MPV (119_, 223_)	2001/03	
DOBLO Platform (263_)	2010/02	
ELBA (146_)	1985/10	1997/12
FIORINO Limuzin (146_)	1988/01	
FIORINO Limuzin (225_)	2007/01	
FIORINO Pick up (146_)	1988/01	2001/05
IDEA (350_)	2003/12	
LINEA (323_, 110_)	2006/10	

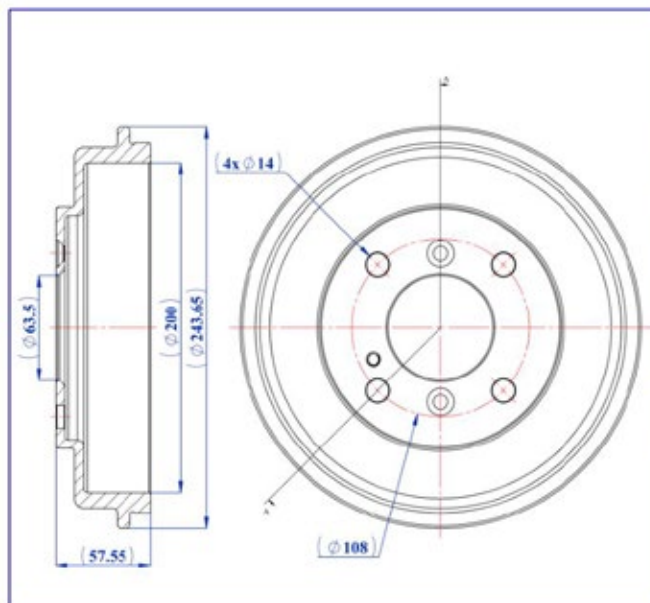


BRAKE DRUM

· Rear Axle

- Safety
- Performance
- OEM Standarts
- AYD Quality

OE:
8V511113AA
8V511113AB
1535923



AYD
AUTOMOTIVE INDUSTRY

AYD NO
13-50675

MATERIAL
TYPE-1

WEIGHT
4.05 KG

BALANCING
100 %



13-50675

Technical Specifications:

Diameter (mm)	Height (mm)	Brake Diameter Inside (mm)	Max. Skimmed Drum Mea. (mm)	Centering Diameter (mm)	Bolt Hole Circle (mm)	Num. of Holes
243.65	57.55	200	201.5	63.5	108	4+3

FORD

MODEL	START Y.	END Y.
FIESTA Sedan	2010/04	
FIESTA VI (CB1, CCN)	2008/06	
FIESTA VI Van	2008/08	
KA+ III (UK, FK)	2014/08	
KA+ III Sedan (TK, FK)	2014/08	

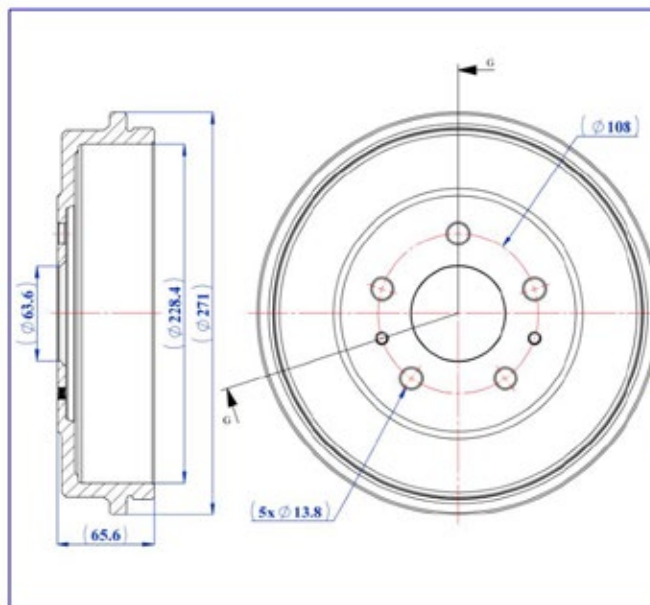


BRAKE DRUM

· Rear Axle

- Safety
- Performance
- OEM Standards
- AYD Quality

OE:
3M511126AC
3M511126BA
1743443



AYD
AUTOMOTIVE INDUSTRY

AYD NO
13-50676

MATERIAL
TYPE-1

WEIGHT
6,36 KG

BALANCING
100 %



13-50676

Technical Specifications:

Diameter (mm)	Height (mm)	Brake Diameter Inside (mm)	Max. Skimmed Drum Mea. (mm)	Centering Diameter (mm)	Bolt Hole Circle (mm)	Num. of Holes
271	65.6	228.4	230.2	63.6	108	5+2

FORD

MODEL	START Y.	END Y.
FOCUS C-MAX (DM2)	2003/10	2007/03
FOCUS II (DA_, HCP, DP)	2004/07	2013/09
FOCUS II Combi van	2004/07	2011/07
FOCUS II Sedan (DB_, FCH, DH)	2005/04	
FOCUS II Turnier (DA_, FFS, DS)	2004/07	2012/09

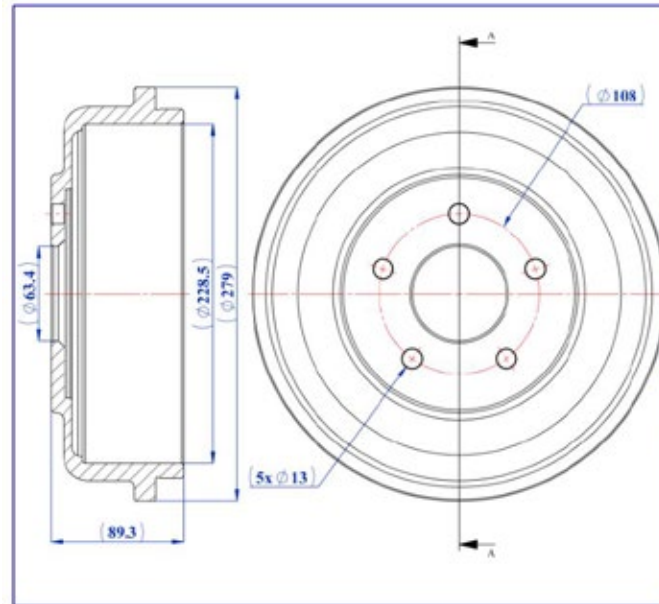


BRAKE DRUM

· Rear Axle

- Safety
- Performance
- OEM Standarts
- AYD Quality

OE:
1334973
2T141126CD
2T141126DD



AYD
AUTOMOTIVE INDUSTRY

AYD NO
13-50677

MATERIAL
TYPE-1

WEIGHT
8,15 KG

BALANCING
100 %



13-50677

Technical Specifications:

Diameter (mm)	Height (mm)	Brake Diameter Inside (mm)	Max. Skimmed Drum Mea. (mm)	Centering Diameter (mm)	Bolt Hole Circle (mm)	Num. of Holes
279	89.3	228.5	229.6	63.4	108	5

FORD

MODEL	START Y.	END Y.
CAPRI II (GECF)	1974/02	1977/12
CAPRI III (GECF)	1978/01	1987/04
ESCORT II (ATH)	1973/03	1981/07
ESCORT II Turnier	1975/04	1981/07
ESCORT V Express (AVF)	1990/07	1994/12
ESCORT VI Cabrio (ALL)	1994/03	2000/08
ESCORT VI Combi van (AVL)	1995/01	2001/06
TAUNUS (GBTK)	1970/01	1976/02
TAUNUS (GBTS, GBFS, CBTS)	1975/05	1979/07
TAUNUS III Turnier (GBNS)	1979/07	1982/12
TAUNUS Turnier (GBNS)	1975/05	1979/08



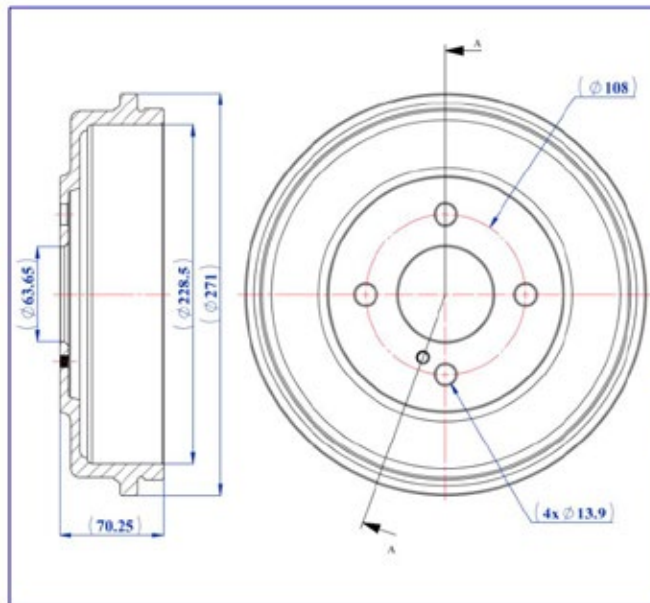
BRAKE DRUM

· Rear Axle

- Safety
- Performance
- OEM Standards
- AYD Quality

OE:
EY161126AA
1833868

13-50678



AYD
AUTOMOTIVE INDUSTRY

AYD NO
13-50678

MATERIAL
TYPE-1

WEIGHT
6,14 KG

BALANCING
100 %



Technical Specifications:

Diameter (mm)	Height (mm)	Brake Diameter Inside (mm)	Max. Skimmed Drum Mea. (mm)	Centering Diameter (mm)	Bolt Hole Circle (mm)	Num. of Holes
271	70.25	228.5	230.2	63.65	108	4+1

FORD

MODEL	START Y.	END Y.
B-MAX (JK)	2012/10	
B-MAX Van (JK)	2012/08	
TOURNEO COURIER B460 MPV	2014/02	
TRANSIT COURIER B460 Limuzin	2014/02	
TRANSIT COURIER B460 MPV	2014/02	



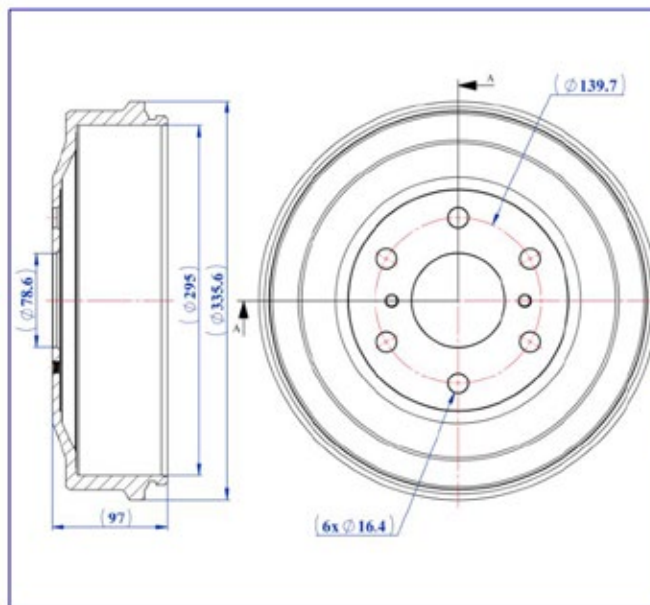
BRAKE DRUM

• Rear Axle

- Safety
- Performance
- OEM Standarts
- AYD Quality

OE:
22874950

13-50684



AYD
AUTOMOTIVE INDUSTRY

AYD NO
13-50684

MATERIAL
TYPE-1

WEIGHT
10,91 KG

BALANCING
100 %



Technical Specifications:

Diameter (mm)	Height (mm)	Brake Diameter Inside (mm)	Max. Skimmed Drum Mea. (mm)	Centering Diameter (mm)	Bolt Hole Circle (mm)	Num. of Holes
335.6	97	295	296.5	78.6	139.7	6+2

GMC

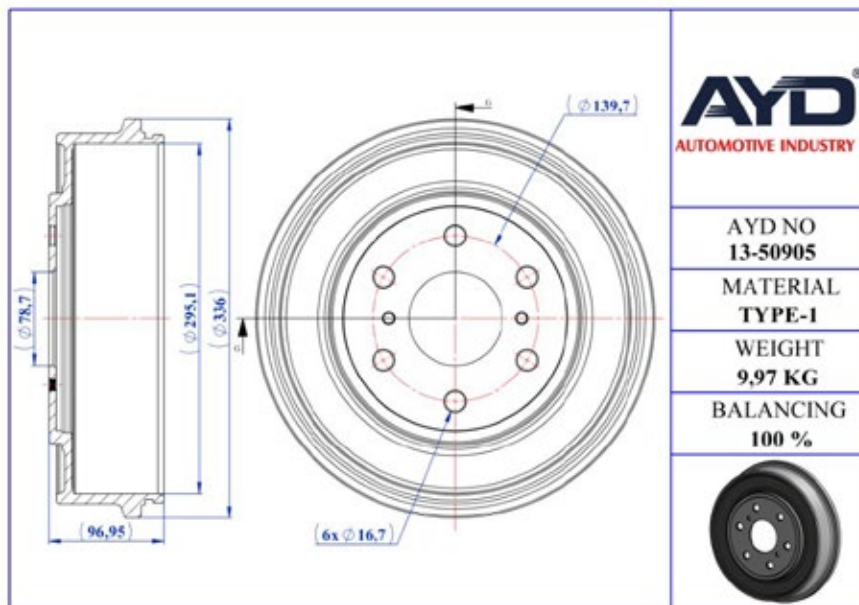
MODEL	START Y.	END Y.
SIERRA 1500 Crew Cab Pickup	2006/09	2013/12
SIERRA 1500 Extended Cab Pickup	2007/01	2013/12
SIERRA 1500 Standard Cab Pickup	2007/01	2013/12



BRAKE DRUM

· Rear Axle

- Safety
- Performance
- OEM Standards
- AYD Quality



AYD
AUTOMOTIVE INDUSTRY

AYD NO
13-50905

MATERIAL
TYPE-1

WEIGHT
9,97 KG

BALANCING
100 %



OE:
89059149

13-50905

Technical Specifications:

Diameter (mm)	Height (mm)	Brake Diameter Inside (mm)	Max. Skimmed Drum Mea. (mm)	Centering Diameter (mm)	Bolt Hole Circle (mm)	Num. of Holes
336	96.95	295.1	296.5	78.7	139.7	6+2

GMC

MODEL	START Y.	END Y.
SIERRA 1500 Crew Cab Pickup	1997/09	2007/12
SIERRA 1500 Extended Cab Pickup	1997/09	2007/12
SIERRA 1500 Standard Cab Pickup	1997/09	2007/12



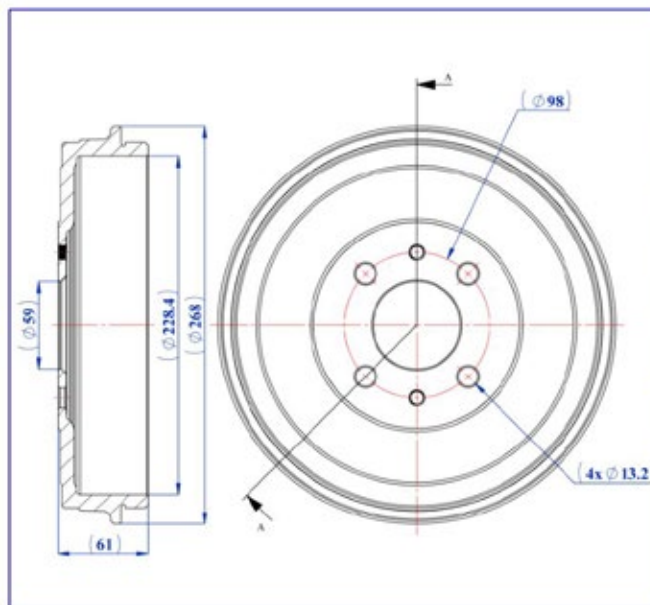
BRAKE DRUM

· Rear Axle

- Safety
- Performance
- OEM Standarts
- AYD Quality

OE:
51864509

13-50682



AYD
AUTOMOTIVE INDUSTRY

AYD NO
13-50682

MATERIAL
TYPE-1

WEIGHT
5,83 KG

BALANCING
100 %



Technical Specifications:

Diameter (mm)	Height (mm)	Brake Diameter Inside (mm)	Max. Skimmed Drum Mea. (mm)	Centering Diameter (mm)	Bolt Hole Circle (mm)	Num. of Holes
268	61	228.4	230	59	98	4+2

LANCIA

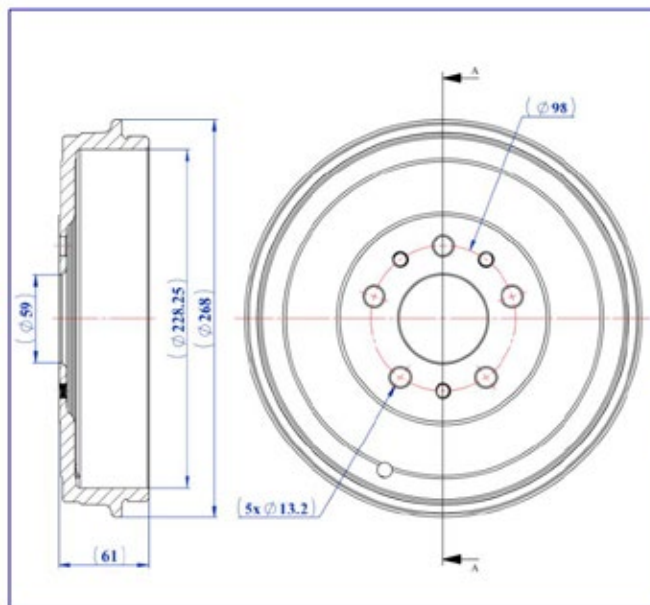
MODEL	START Y.	END Y.
MUSA (350_)	2004/10	2012/09



BRAKE DRUM

· Rear Axle

- Safety
- Performance
- OEM Standarts
- AYD Quality



AYD
AUTOMOTIVE INDUSTRY

AYD NO
13-50683

MATERIAL
TYPE-1

WEIGHT
5,82 KG

BALANCING
100 %



OE:
51860868

13-50683

Technical Specifications:

Diameter (mm)	Height (mm)	Brake Diameter Inside (mm)	Max. Skimmed Drum Mea. (mm)	Centering Diameter (mm)	Bolt Hole Circle (mm)	Num. of Holes
268	61	228.25	230	59	98	5+4

LANCIA

MODEL	START Y.	END Y.
MUSA (350_)	2004/10	2012/09



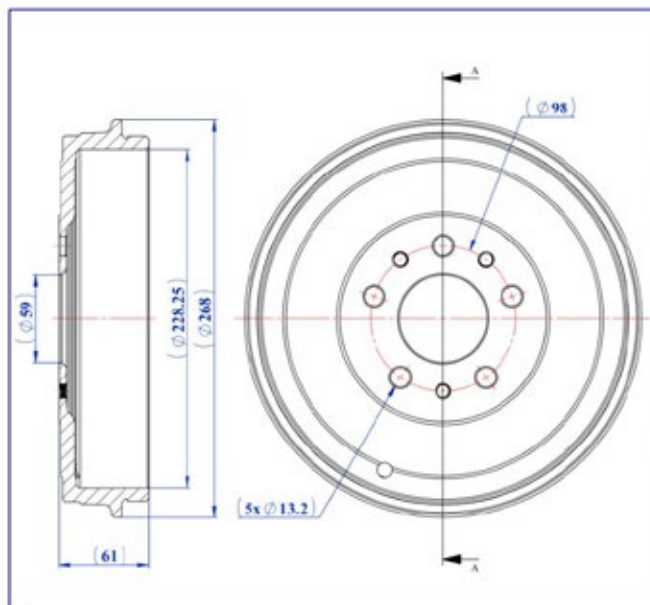
BRAKE DRUM

• Rear Axle

- Safety
- Performance
- OEM Standarts
- AYD Quality

OE:
95515120
95524688

13-50683



AYD
AUTOMOTIVE INDUSTRY

AYD NO
13-50683

MATERIAL
TYPE-1

WEIGHT
5,82 KG

BALANCING
100 %



Technical Specifications:

Diameter (mm)	Height (mm)	Brake Diameter Inside (mm)	Max. Skimmed Drum Mea. (mm)	Centering Diameter (mm)	Bolt Hole Circle (mm)	Num. of Holes
268	61	228.25	230	59	98	5+4

OPEL

MODEL	START Y.	END Y.
COMBO Limuzin (X12)	2012/02	

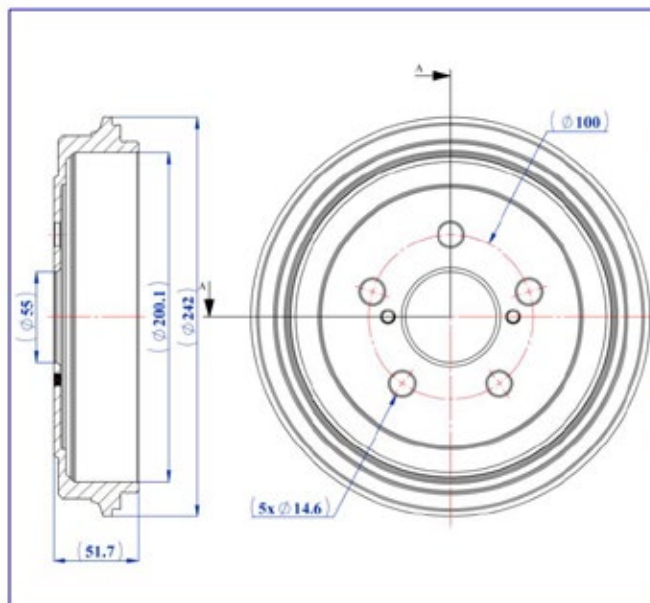


BRAKE DRUM

·Rear Axle

- Safety
- Performance
- OEM Standarts
- AYD Quality

OE:
4243102100
4243132121
4243112220



AYD
AUTOMOTIVE INDUSTRY

AYD NO
13-50621

MATERIAL
TYPE-1

WEIGHT
3,77 KG

BALANCING
100 %



13-50621

Technical Specifications:

Diameter (mm)	Height (mm)	Brake Diameter Inside (mm)	Max. Skimmed Drum Mea. (mm)	Centering Diameter (mm)	Bolt Hole Circle (mm)	Num. of Holes
242	51.7	200.1	201	55	100	5+2

TOYOTA

MODEL	START Y.	END Y.
COROLLA (_E12_)	2001/01	2007/12
COROLLA Sedan (_E12_)	2000/08	2008/12
COROLLA Station wagon (_E12_)	2001/03	2008/12

