

new to range

SPEED TO MARKET SECOND TO NONE

AYD[®]
AUTOMOTIVE INDUSTRY



BRAKING THE DIFFERENCE

SAFETY

PERFORMANCE

OEM Standards

AYD QUALITY

www.aydtr.com



SEPTEMBER 2022

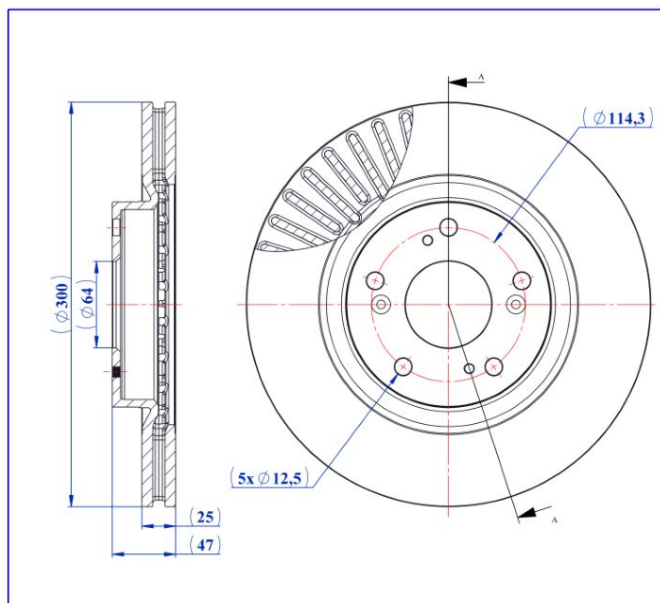
INDEX

ACURA	3
AUDI	4
CADILLAC	5
CHEVROLET	6-12
CHRYSLER	13-14
CITROEN	15
DODGE	16-19
FIAT	20
FORD	21-30
GMC	31-35
HONDA	36-38
HYUNDAI	39-40
INFINITI	41
JEEP	42-43
KIA	44
LINCOLN	45-46
NISSAN	47-48
OLDSMOBILE	49
PEUGEOT	50
POINTIAC	51
SUBARU	52
TOYOTA	53-54

BRAKE DISC

- Front Axle
- Vented

- Safety
- Performance
- OEM Standarts
- AYD Quality



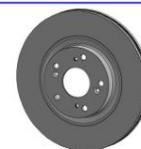
AYD[®]
AUTOMOTIVE INDUSTRY

AYD NO
10-50736

MATERIAL
TYPE-1

WEIGHT
7,53 KG

BALANCING
100 %



OE:
45251S6MA10

10-50736

Technical Specifications:

Diameter (mm)	Height (mm)	Brake Disc Thickness (mm)	Min. Thickness (mm)	Centering Diameter (mm)	Bolt Hole Circle (mm)	Num. of Holes
300	47	25	23	64	114.3	5+4

ACURA

MODEL	START Y.	END Y.
RSX Coupe (DC_)	2001/10	

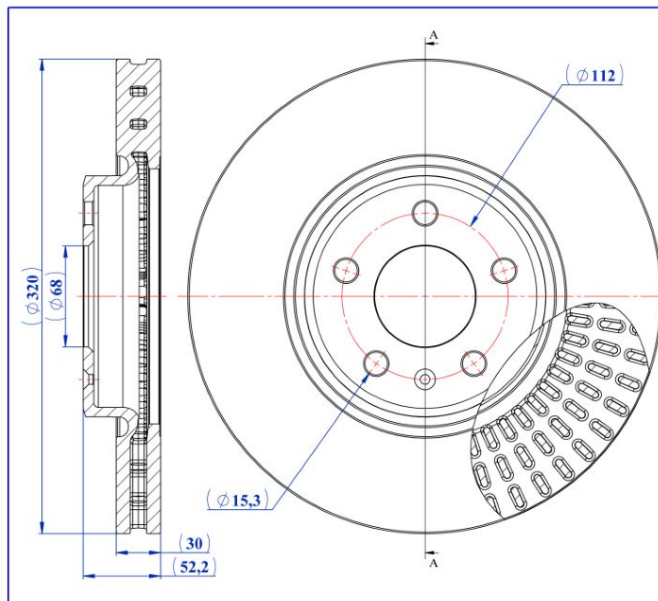


BRAKE DISC

- Front Axle
- Vented

- Safety
- Performance
- OEM Standarts
- AYD Quality

OE:
8R0615301E
8R0615301D
8R0615301G



AYD
AUTOMOTIVE INDUSTRY

AYD NO
10-50458

MATERIAL
TYPE-1

WEIGHT
10,16 KG

BALANCING
100 %



10-50458

Technical Specifications:

Diameter (mm)	Height (mm)	Brake Disc Thickness (mm)	Min. Thickness (mm)	Centering Diameter (mm)	Bolt Hole Circle (mm)	Num. of Holes
320	52.2	30	28	68	112	5+1

AUDI

MODEL	START Y.	END Y.
A4 Allroad B8 (8KH)	2009/04	2016/05
A4 B8 (8K2)	2007/08	2015/12
A4 B8 Avant (8K5)	2007/11	2015/12
A5 (8T3)	2007/06	2017/01
A5 Cabrio (8F7)	2009/02	2017/01
A5 Sportback (8TA)	2007/07	2017/01
A6 C7 (4G2, 4GC)	2010/11	2018/09
A6 C7 Avant (4G5, 4GD)	2011/05	2018/09
A7 Sportback (4GA, 4GF)	2010/07	2018/05
Q5 (8RB)	2008/11	2017/12



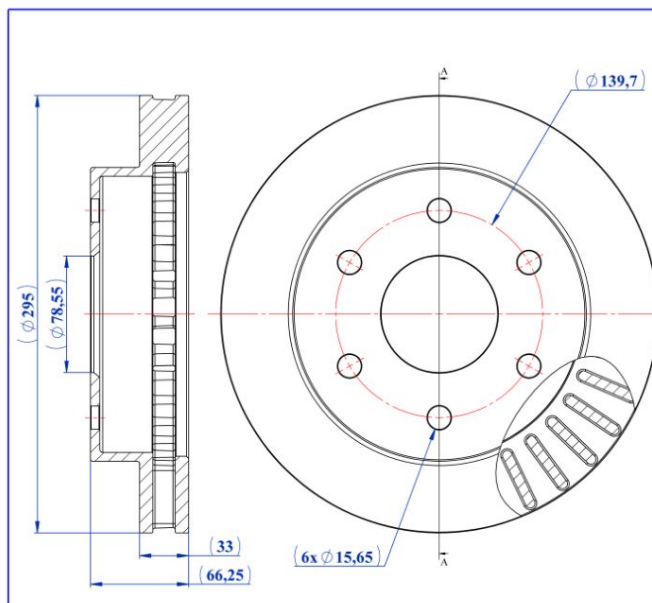
BRAKE DISC

- Front Axle
- Vented

- Safety
- Performance
- OEM Standarts
- AYD Quality

OE:
15521902

10-50638



AYD[®]
AUTOMOTIVE INDUSTRY

AYD NO
10-50638

MATERIAL
TYPE-1

WEIGHT
8,08 KG

BALANCING
100 %



Technical Specifications:

Diameter (mm)	Height (mm)	Brake Disc Thickness (mm)	Min. Thickness (mm)	Centering Diameter (mm)	Bolt Hole Circle (mm)	Num. of Holes
295	66.25	33	30.85	78.55	139.7	6

CADILLAC

MODEL	START Y.	END Y.
ESCALADE	1998/10	2006/12



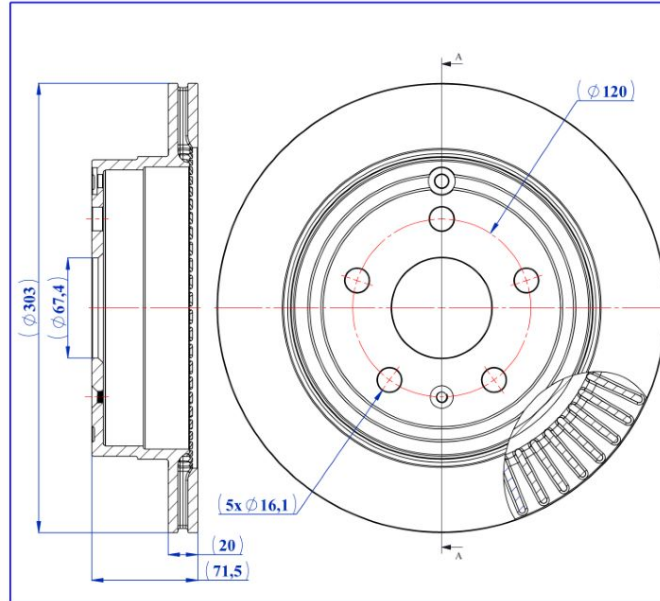
BRAKE DISC

- Rear Axle
- Vented

- Safety
- Performance
- OEM Standarts
- AYD Quality

OE:
20792027

10-50593



AYD[®]
AUTOMOTIVE INDUSTRY

AYD NO
10-50593

MATERIAL
TYPE-1

WEIGHT
7,28 KG

BALANCING
100 %



Technical Specifications:

Diameter (mm)	Height (mm)	Brake Disc Thickness (mm)	Min. Thickness (mm)	Centering Diameter (mm)	Bolt Hole Circle (mm)	Num. of Holes
303	71.5	20	18.4	67.4	120	5+2

CHEVROLET

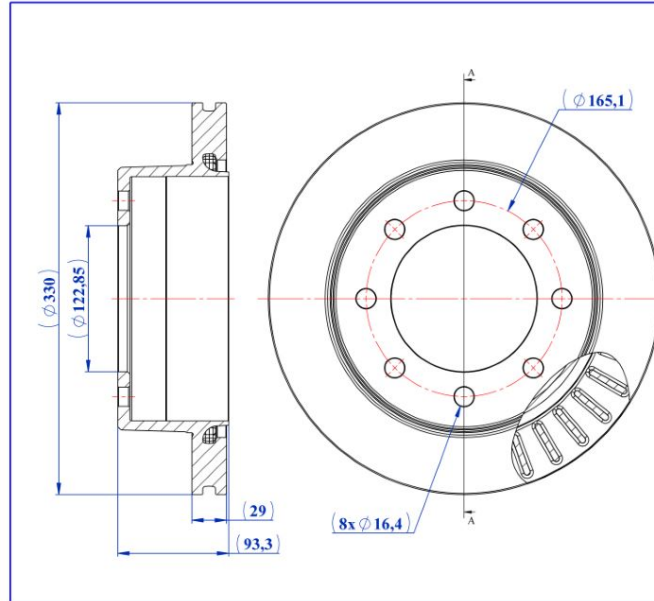
MODEL	START Y.	END Y.
EQUINOX	2009/09	



BRAKE DISC

- Rear Axle
- Vented

- Safety
- Performance
- OEM Standarts
- AYD Quality



AYD NO
10-50633

MATERIAL
TYPE-1

WEIGHT
11,38 KG

BALANCING
100 %



OE:
15712803

10-50633

Technical Specifications:

Diameter (mm)	Height (mm)	Brake Disc Thickness (mm)	Min. Thickness (mm)	Centering Diameter (mm)	Bolt Hole Circle (mm)	Num. of Holes
330	93.3	29	27	122.85	165.1	8

CHEVROLET

MODEL	START Y.	END Y.
AVALANCHE 2500 Crew Cab Pickup	2001/09	2006/12
EXPRESS 2500 Extended Cargo Van	2002/09	
EXPRESS 3500 Cutaway Van	2002/09	
EXPRESS 3500 Extended Cargo Van	2002/09	
EXPRESS 3500 Extended Passenger Van	2002/09	
EXPRESS 3500 Standard Cargo Van	2002/09	
EXPRESS 3500 Standard Passenger Van	2002/09	
SILVERADO 2500	2006/09	
SILVERADO 2500	1998/09	
SILVERADO 3500	2007/01	2013/12
SILVERADO 3500	2001/01	2007/12

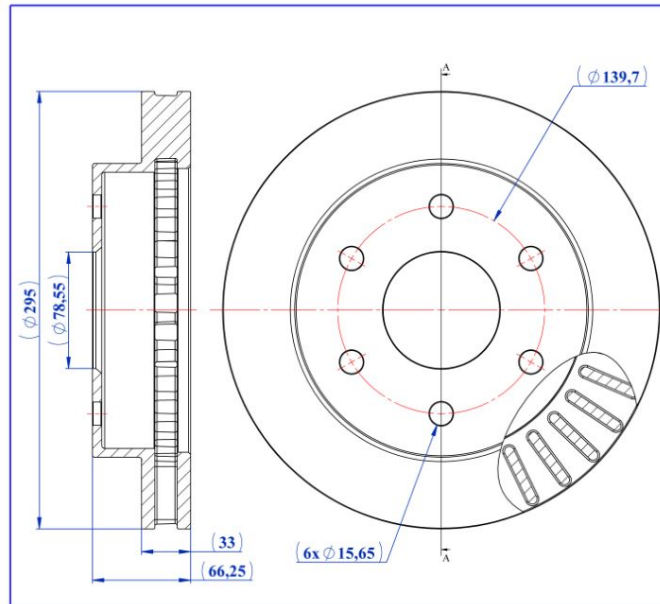


BRAKE DISC

- Front Axle
- Vented

- Safety
- Performance
- OEM Standarts
- AYD Quality

OE:
15521902
15679710
18027858



AYD[®]
AUTOMOTIVE INDUSTRY

AYD NO
10-50638

MATERIAL
TYPE-1

WEIGHT
8,08 KG

BALANCING
100 %



10-50638

Technical Specifications:

Diameter (mm)	Height (mm)	Brake Disc Thickness (mm)	Min. Thickness (mm)	Centering Diameter (mm)	Bolt Hole Circle (mm)	Num. of Holes
295	66.25	33	30.85	78.55	139.7	6

CHEVROLET

MODEL	START Y.	END Y.
BLAZER	1991/10	1997/04
K1500 Extended Cab Pickup	1987/09	1999/12
K1500 Standard Cab Pickup	1987/09	1999/12
K2500 Cab & Chassis	1987/09	2000/12
K2500 Standard Cab Pickup	1987/09	2000/12
TAHOE (GMT400)	1994/10	1999/12

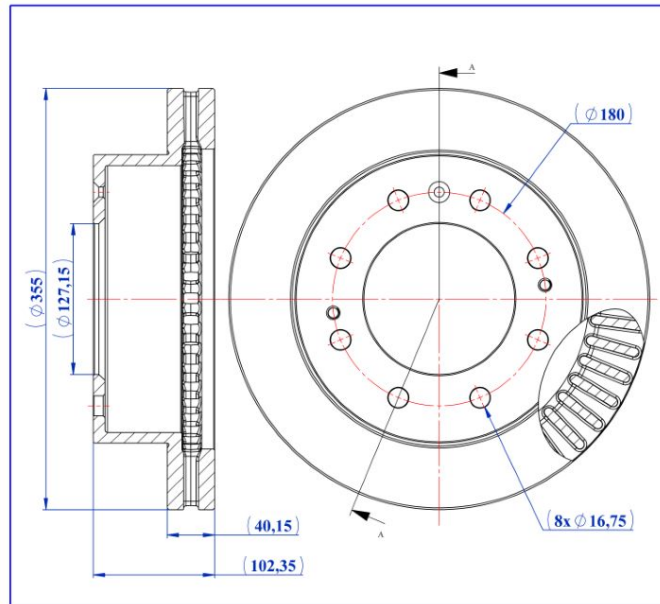


BRAKE DISC

- Front Axle
- Vented

- Safety
- Performance
- OEM Standarts
- AYD Quality

OE:
23118117
25807428



AYD[®]
AUTOMOTIVE INDUSTRY

AYD NO
10-50641

MATERIAL
TYPE-1

WEIGHT
16,86 KG

BALANCING
100 %



10-50641

Technical Specifications:

Diameter (mm)	Height (mm)	Brake Disc Thickness (mm)	Min. Thickness (mm)	Centering Diameter (mm)	Bolt Hole Circle (mm)	Num. of Holes
355	102.35	40.15	38.5	127.15	180	8+3

CHEVROLET

MODEL	START Y.	END Y.
SILVERADO 2500 Crew Cab Pickup	2006/09	2013/12
SILVERADO 2500 Extended Cab Pickup	2006/09	2013/12
SILVERADO 2500 HD Cab & Chassis	2006/09	2015/12
SILVERADO 2500 HD Crew Cab Pickup	2006/09	2013/12
SILVERADO 2500 HD Extended Cab Pickup	2006/09	2013/12
SILVERADO 2500 Standard Cab Pickup	2006/09	2013/12
SILVERADO 3500 HD Crew Cab Pickup	2007/09	2013/12
SILVERADO 3500 HD Standard Cab Pickup	2007/09	2013/12

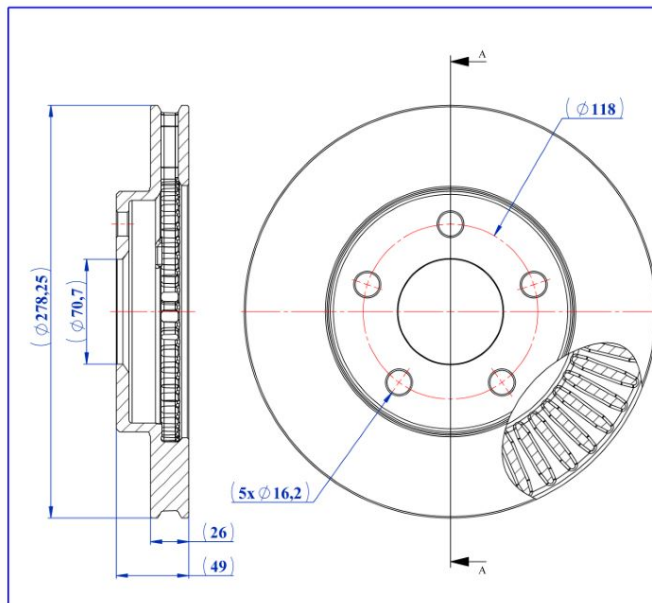


BRAKE DISC

- Front Axle
- Vented

- Safety
- Performance
- OEM Standarts
- AYD Quality

OE:
19213925
18021774
18038820



AYD
AUTOMOTIVE INDUSTRY

AYD NO
10-50688

MATERIAL
TYPE-1

WEIGHT
6,42 KG

BALANCING
100 %



10-50688

Technical Specifications:

Diameter (mm)	Height (mm)	Brake Disc Thickness (mm)	Min. Thickness (mm)	Centering Diameter (mm)	Bolt Hole Circle (mm)	Num. of Holes
278.25	49	26	24.7	70.7	118	5

CHEVROLET

MODEL	START Y.	END Y.
ALERO	1999/03	2004/09
CLASSIC	2002/01	
MALIBU	1996/08	2003/09



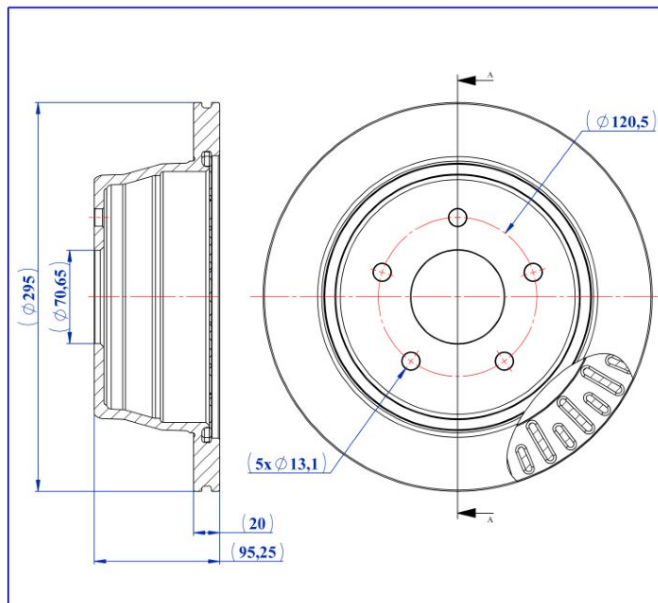
BRAKE DISC

- Rear Axle
- Vented

- Safety
- Performance
- OEM Standarts
- AYD Quality

OE:
15704667
18039567

10-50727



AYD[®]
AUTOMOTIVE INDUSTRY

AYD NO
10-50727

MATERIAL
TYPE-1

WEIGHT
7,07 KG

BALANCING
100 %



Technical Specifications:

Diameter (mm)	Height (mm)	Brake Disc Thickness (mm)	Min. Thickness (mm)	Centering Diameter (mm)	Bolt Hole Circle (mm)	Num. of Holes
295	95.25	20	18.5	70.65	120.5	5

CHEVROLET

MODEL	START Y.	END Y.
S10 Extended Cab Pickup	1993/09	2004/12
S10 Standard Cab Pickup	1993/09	2004/12

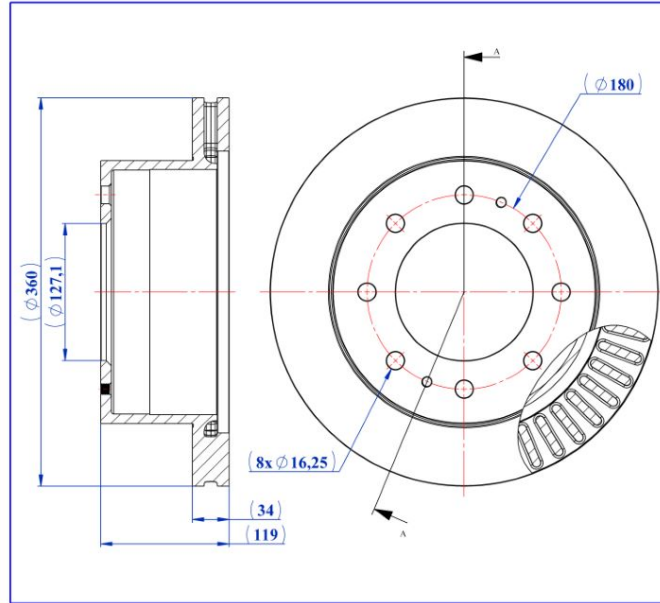


BRAKE DISC

- Rear Axle
- Vented

- Safety
- Performance
- OEM Standarts
- AYD Quality

OE:
22761958
25807301



AYD
AUTOMOTIVE INDUSTRY

AYD NO
10-50730

MATERIAL
TYPE-1

WEIGHT
16,38 KG

BALANCING
100 %



10-50730

Technical Specifications:

Diameter (mm)	Height (mm)	Brake Disc Thickness (mm)	Min. Thickness (mm)	Centering Diameter (mm)	Bolt Hole Circle (mm)	Num. of Holes
360	119	34	32.5	127.1	180	8+2

CHEVROLET

MODEL	START Y.	END Y.
SILVERADO 2500 Crew Cab Pickup	2012/09	
SILVERADO 2500 Extended Cab Pickup	2012/09	
SILVERADO 2500 HD Crew Cab Pickup	2013/09	
SILVERADO 2500 HD Extended Cab Pickup	2013/09	
SILVERADO 2500 HD Standard Cab Pickup	2013/09	
SILVERADO 2500 Standard Cab Pickup	2012/09	
SILVERADO 3500 Cab & Chassis	2012/09	
SILVERADO 3500 Cab & Chassis	2006/09	
SILVERADO 3500 HD Cab & Chassis	2013/09	
SILVERADO 3500 HD Crew Cab Pickup	2013/09	
SILVERADO 3500 HD Extended Cab Pickup	2013/09	

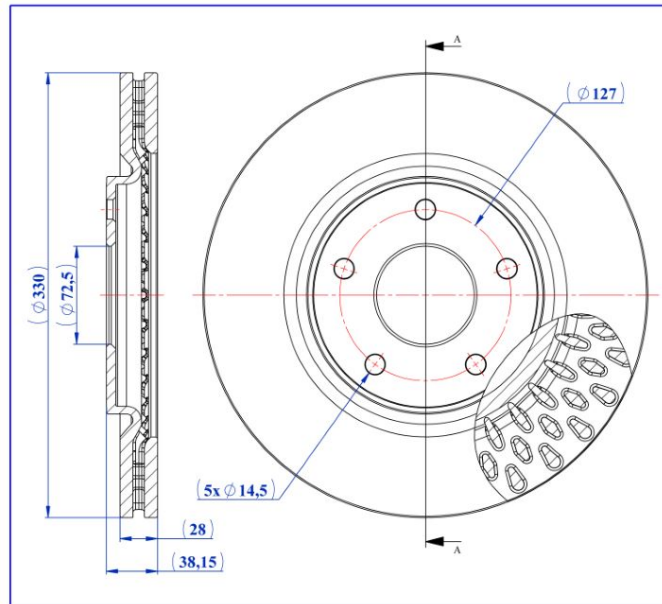


BRAKE DISC

- Front Axle
- Vented

- Safety
- Performance
- OEM Standarts
- AYD Quality

OE:
4779712AA
4779712AB
68192969AA



AYD NO
10-50686

MATERIAL
TYPE-1

WEIGHT
9,78 KG

BALANCING
100 %



10-50686

Technical Specifications:

Diameter (mm)	Height (mm)	Brake Disc Thickness (mm)	Min. Thickness (mm)	Centering Diameter (mm)	Bolt Hole Circle (mm)	Num. of Holes
330	38.15	28	26.4	72.5	127	5

CHRYSLER

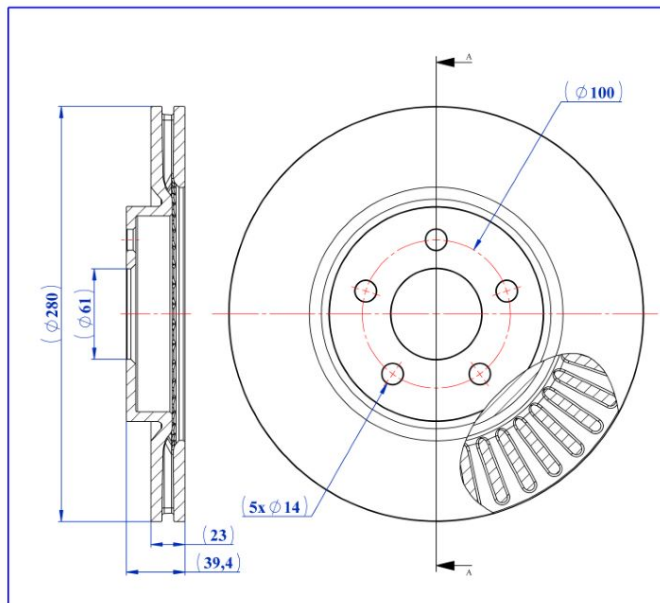
MODEL	START Y.	END Y.
PACIFICA	2016/02	



BRAKE DISC

- Front Axle
- Vented

- Safety
- Performance
- OEM Standarts
- AYD Quality



AYD NO
10-50737

MATERIAL
TYPE-1

WEIGHT
6,47 KG

BALANCING
100 %



OE:
4509994AD

10-50737

Technical Specifications:

Diameter (mm)	Height (mm)	Brake Disc Thickness (mm)	Min. Thickness (mm)	Centering Diameter (mm)	Bolt Hole Circle (mm)	Num. of Holes
280	39.4	23	21.4	61	100	5

CHRYSLER

MODEL	START Y.	END Y.
NEW YORKER	1992/01	1998/09
PT CRUISER (PT_)	2000/06	2010/12
PT CRUISER Cabrio	2000/06	2010/12
PT CRUISER Combi Van (PT_)	2002/10	2008/08

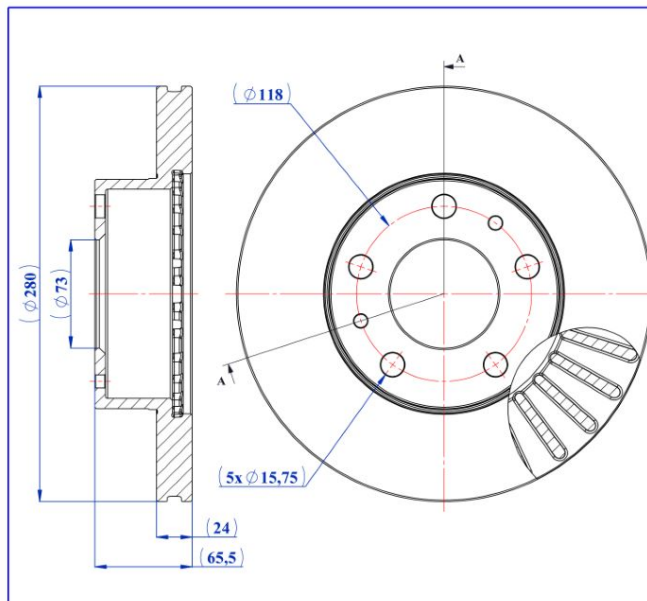


BRAKE DISC

- Front Axle
- Vented

- Safety
- Performance
- OEM Standarts
- AYD Quality

OE:
46806233
4249K3
4246Y1



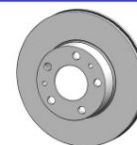
AYD[®]
AUTOMOTIVE INDUSTRY

AYD NO
10-50246

MATERIAL
TYPE-1

WEIGHT
7,04 KG

BALANCING
100 %



10-50246

Technical Specifications:

Diameter (mm)	Height (mm)	Brake Disc Thickness (mm)	Min. Thickness (mm)	Centering Diameter (mm)	Bolt Hole Circle (mm)	Num. of Holes
280	65.5	24	22	73	118	5+2

CITROËN

MODEL	START Y.	END Y.
JUMPER Minibus/Bus	2006/04	
JUMPER Minibus/Bus (230P)	1994/02	2002/04
JUMPER Panelvan/Van	2006/04	
JUMPER Panelvan/Van (230L)	1994/02	2002/08
JUMPER Platform	2006/04	
JUMPER Platform (230)	1994/03	2002/04

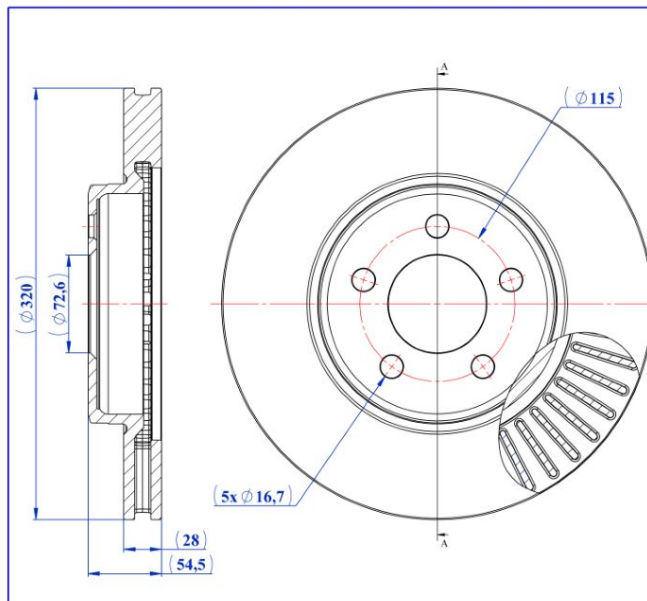


BRAKE DISC

- Front Axle
- Vented

- Safety
- Performance
- OEM Standarts
- AYD Quality

OE:
68368064AA
4779196AA
4779196AB



AYD[®]
AUTOMOTIVE INDUSTRY

AYD NO
10-50631

MATERIAL
TYPE-1

WEIGHT
8,96 KG

BALANCING
100 %



10-50631

Technical Specifications:

Diameter (mm)	Height (mm)	Brake Disc Thickness (mm)	Min. Thickness (mm)	Centering Diameter (mm)	Bolt Hole Circle (mm)	Num. of Holes
320	54.5	28	26.5	72.60	115	5

DODGE

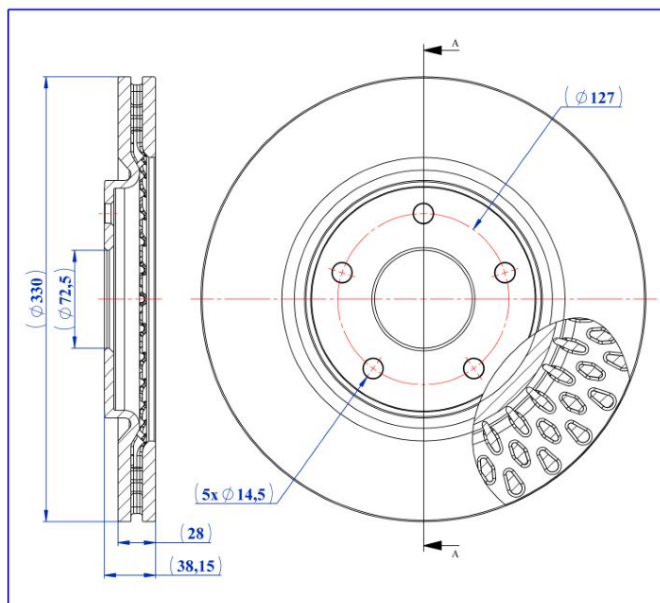
MODEL	START Y.	END Y.
CHALLENGER Coupe	2007/09	
CHARGER	2010/09	
CHARGER	2005/06	2010/12
MAGNUM Station wagon	2004/09	2008/12



BRAKE DISC

- Front Axle
- Vented

- Safety
- Performance
- OEM Standarts
- AYD Quality



AYD
AUTOMOTIVE INDUSTRY

AYD NO
10-50686

MATERIAL
TYPE-1

WEIGHT
9,78 KG

BALANCING
100 %



OE:
4779712AA

10-50686

Technical Specifications:

Diameter (mm)	Height (mm)	Brake Disc Thickness (mm)	Min. Thickness (mm)	Centering Diameter (mm)	Bolt Hole Circle (mm)	Num. of Holes
330	38.15	28	26.4	72.5	127	5

DODGE

MODEL	START Y.	END Y.
GRAND CARAVAN	2007/06	
JOURNEY	2008/06	



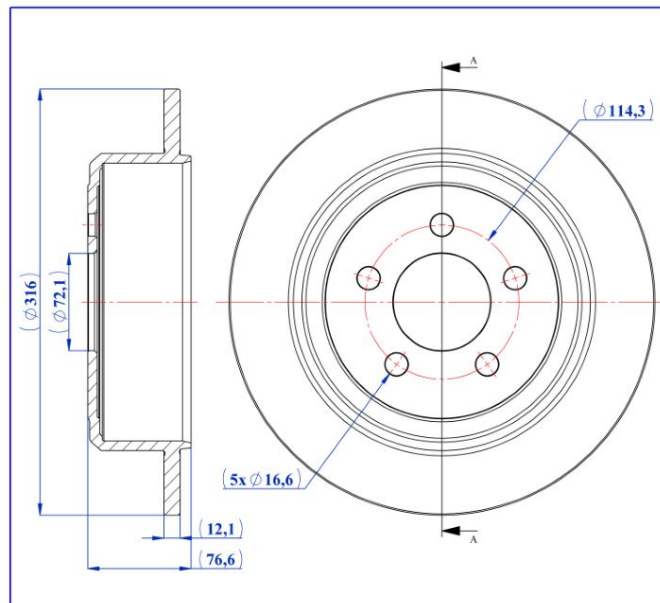
BRAKE DISC

- Rear Axle
- Solid

- Safety
- Performance
- OEM Standarts
- AYD Quality

OE:
52129250AA

10-50708



AYD[®]
AUTOMOTIVE INDUSTRY

AYD NO
10-50708

MATERIAL
TYPE-1

WEIGHT
7,44 KG

BALANCING
100 %



Technical Specifications:

Diameter (mm)	Height (mm)	Brake Disc Thickness (mm)	Min. Thickness (mm)	Centering Diameter (mm)	Bolt Hole Circle (mm)	Num. of Holes
316	76.6	12.1	10.4	72.1	114.3	5

DODGE

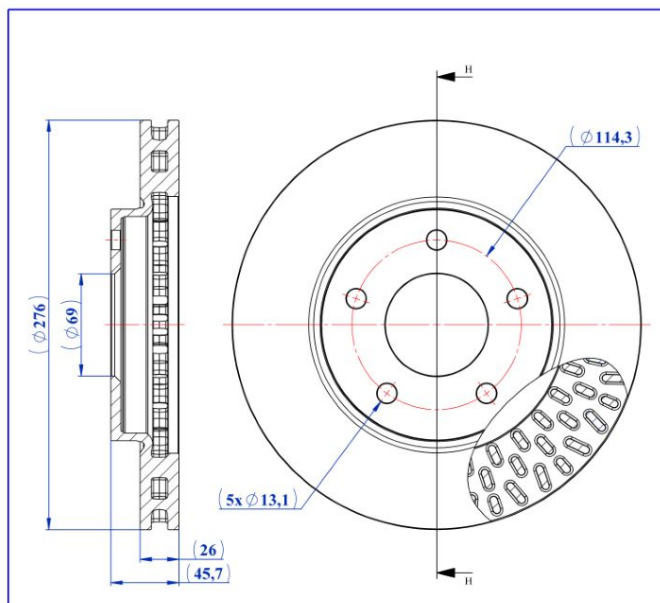
MODEL	START Y.	END Y.
NITRO	2006/09	2012/12



BRAKE DISC

- Front Axle
- Vented

- Safety
- Performance
- OEM Standarts
- AYD Quality

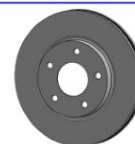


AYD NO
10-50720

MATERIAL
TYPE-1

WEIGHT
5,78 KG

BALANCING
100 %



OE:
5105513AA

10-50720

Technical Specifications:

Diameter (mm)	Height (mm)	Brake Disc Thickness (mm)	Min. Thickness (mm)	Centering Diameter (mm)	Bolt Hole Circle (mm)	Num. of Holes
276	45.7	26	24.4	69	114.3	5

DODGE

MODEL	START Y.	END Y.
CALIBER	2006/06	

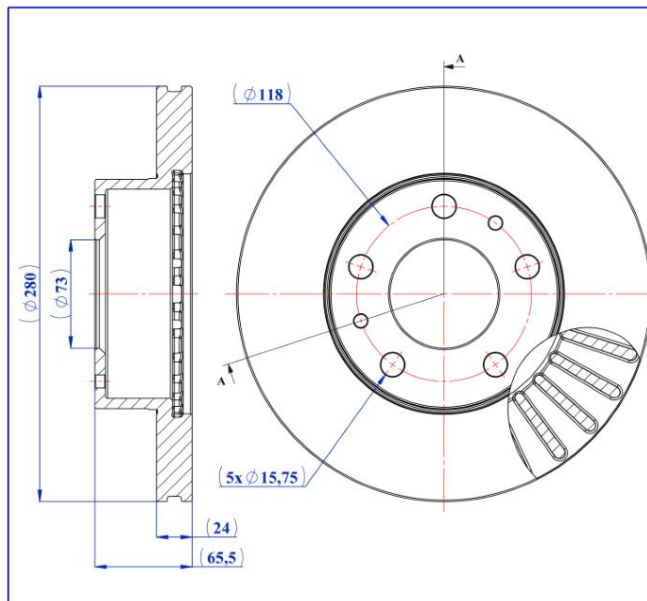


BRAKE DISC

- Front Axle
- Vented

- Safety
- Performance
- OEM Standarts
- AYD Quality

OE:
51848618
1341044080
51728377



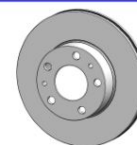
AYD[®]
AUTOMOTIVE INDUSTRY

AYD NO
10-50246

MATERIAL
TYPE-1

WEIGHT
7,04 KG

BALANCING
100 %



10-50246

Technical Specifications:

Diameter (mm)	Height (mm)	Brake Disc Thickness (mm)	Min. Thickness (mm)	Centering Diameter (mm)	Bolt Hole Circle (mm)	Num. of Holes
280	65.5	24	22	73	118	5+2

FIAT

MODEL	START Y.	END Y.
DUCATO Minibus/Bus (230_)	1994/03	2005/05
DUCATO Minibus/Bus (244_)	2001/12	
DUCATO Minibus/Bus (250_)	2006/07	
DUCATO Panelvan/Van (230_)	1994/03	2005/05
DUCATO Panelvan/Van (244_)	2001/12	
DUCATO Panelvan/Van (250_)	2006/07	
DUCATO Panelvan/Van (290_)	1989/03	1994/05
DUCATO Panorama (290_)	1990/01	1994/05
DUCATO Platform (230_)	1994/03	2002/04
DUCATO Platform (244_)	2001/12	
DUCATO Platform (250_)	2006/07	

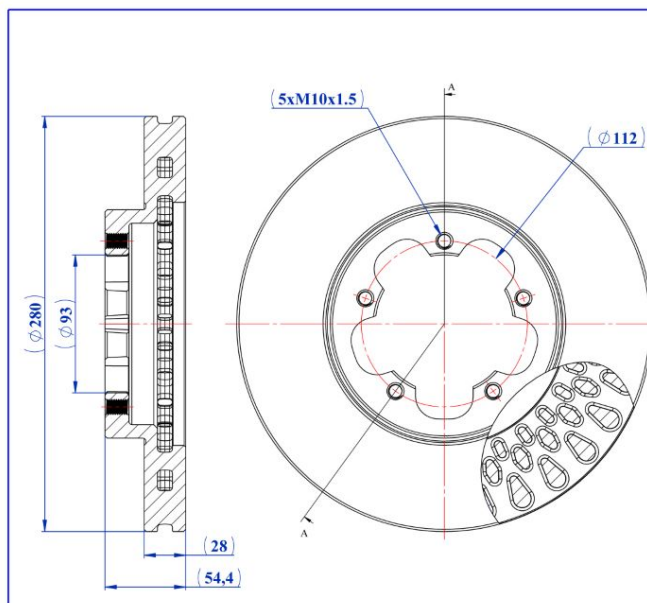


BRAKE DISC

- Front Axle
- Vented

- Safety
- Performance
- OEM Standarts
- AYD Quality

OE:
6C111125BA
1547061
1503290



AYD[®]
AUTOMOTIVE INDUSTRY

AYD NO
10-50271

MATERIAL
TYPE-1

WEIGHT
7,76 KG

BALANCING
100 %



10-50271

Technical Specifications:

Diameter (mm)	Height (mm)	Brake Disc Thickness (mm)	Min. Thickness (mm)	Centering Diameter (mm)	Bolt Hole Circle (mm)	Num. of Holes
280	54.4	28	25	93	112	5

FORD

MODEL	START Y.	END Y.
TRANSIT Minibus/Bus (FD_, FB_, FS_, FZ_, FC_)	2006/04	2014/12
TRANSIT Panelvan/Van (FA_)	2006/04	2014/12
TRANSIT Platform (FM_, FN_, FF_)	2006/04	2014/12
TRANSIT TOURNEO Minibus/Bus	2006/07	2014/08

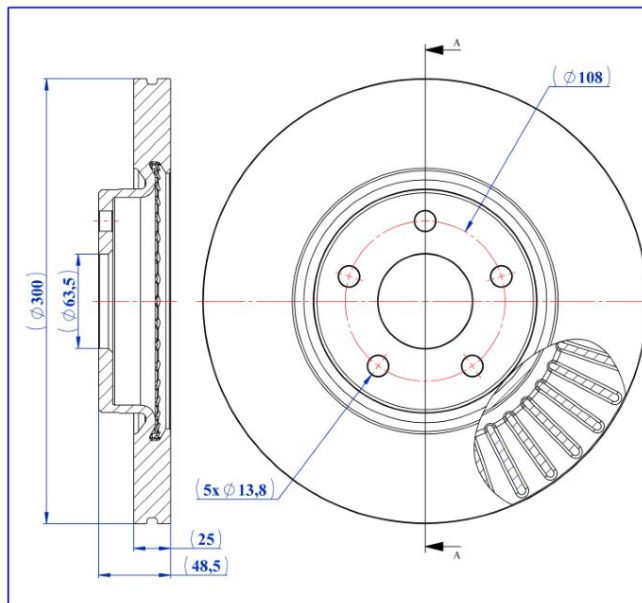


BRAKE DISC

- Front Axle
- Vented

- Safety
- Performance
- OEM Standarts
- AYD Quality

OE:
CV6Z1125A
CV6Z1125F



AYD
AUTOMOTIVE INDUSTRY

AYD NO
10-50719

MATERIAL
TYPE-1

WEIGHT
8,54 KG

BALANCING
100 %



10-50719

Technical Specifications:

Diameter (mm)	Height (mm)	Brake Disc Thickness (mm)	Min. Thickness (mm)	Centering Diameter (mm)	Bolt Hole Circle (mm)	Num. of Holes
300	48.5	25	23	63.5	108	5

FORD

MODEL	START Y.	END Y.
C-MAX II (DXA/CB7, DXA/CEU)	2010/04	2019/06
C-MAX II Van	2010/10	2019/06



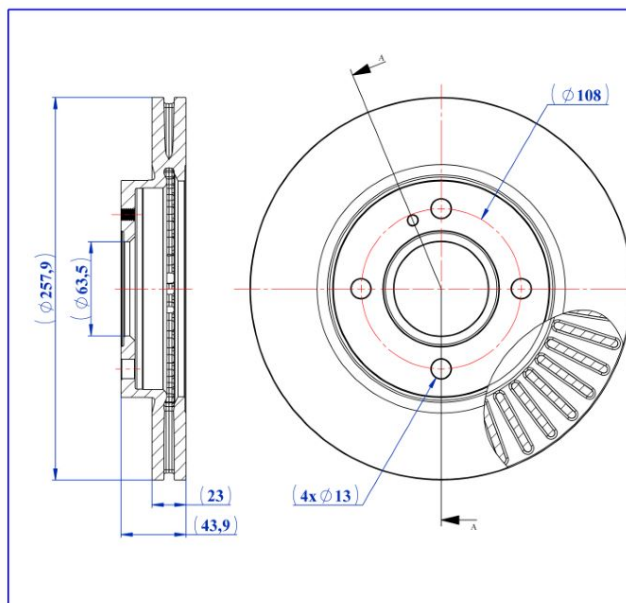
BRAKE DISC

- Front Axle
- Vented

- Safety
- Performance
- OEM Standarts
- AYD Quality

OE:
AE8Z1125B
AY1Z1125A

10-50725



AYD
AUTOMOTIVE INDUSTRY

AYD NO
10-50725

MATERIAL
TYPE-1

WEIGHT
5,68 KG

BALANCING
100 %



Technical Specifications:

Diameter (mm)	Height (mm)	Brake Disc Thickness (mm)	Min. Thickness (mm)	Centering Diameter (mm)	Bolt Hole Circle (mm)	Num. of Holes
257.9	43.9	23	21	63.5	108	4+1

FORD

MODEL	START Y.	END Y.
FIESTA Sedan	2010/04	
FIESTA Sedan	2000/09	2014/12
FIESTA VI (CB1, CCN)	2008/06	

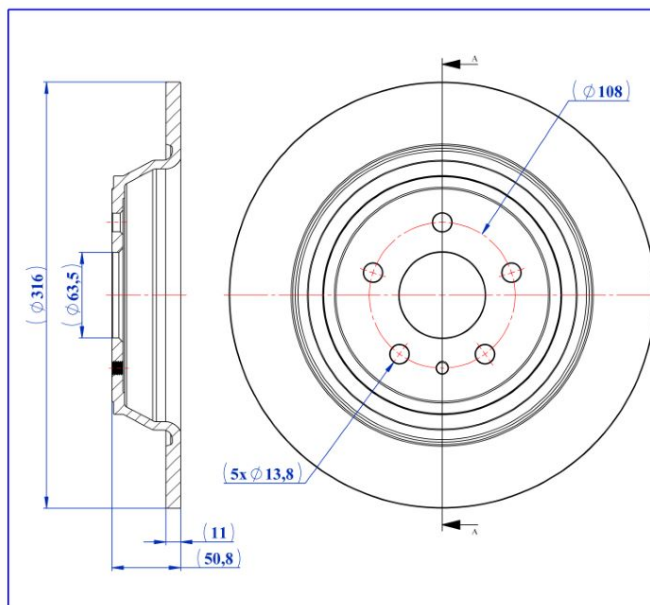


BRAKE DISC

- Rear Axle
- Solid

- Safety
- Performance
- OEM Standarts
- AYD Quality

OE:
DG9Z2C026B
DG9Z2C026D
KJ5Z2C026A



AYD[®]
AUTOMOTIVE INDUSTRY

AYD NO
10-50745

MATERIAL
TYPE-1

WEIGHT
5,83 KG

BALANCING
100 %



10-50745

Technical Specifications:

Diameter (mm)	Height (mm)	Brake Disc Thickness (mm)	Min. Thickness (mm)	Centering Diameter (mm)	Bolt Hole Circle (mm)	Num. of Holes
316	50.8	11	9.5	63.5	108	5+1

FORD

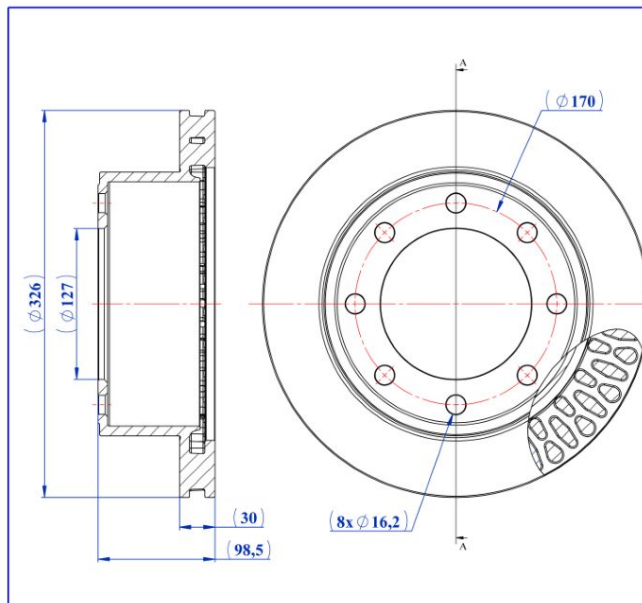
MODEL	START Y.	END Y.
KUGA II (DM2)	2012/05	
KUGA II VAN	2012/05	
MONDEO V Turnier (CF)	2014/09	



BRAKE DISC

- Rear Axle
- Vented

- Safety
- Performance
- OEM Standarts
- AYD Quality



AYD NO
10-50649

MATERIAL
TYPE-1

WEIGHT
10,89 KG

BALANCING
100 %



OE:
YC3Z2C026BB

10-50649

Technical Specifications:

Diameter (mm)	Height (mm)	Brake Disc Thickness (mm)	Min. Thickness (mm)	Centering Diameter (mm)	Bolt Hole Circle (mm)	Num. of Holes
326	98.5	30	28	127	170	8

FORD USA

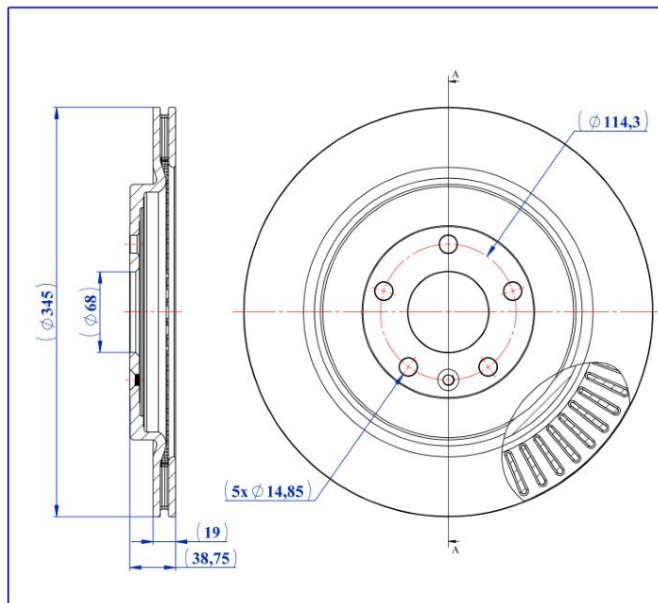
MODEL	START Y.	END Y.
EXCURSION	1999/08	2005/12
F-250 SUPER DUTY Crew Cab Pickup	1998/09	2007/12
F-250 SUPER DUTY Extended Cab Pickup	1998/09	2007/12
F-250 SUPER DUTY Standard Cab Pickup	1998/09	2007/12
F-350 SUPER DUTY Crew Cab Pickup	1998/09	2007/12
F-350 SUPER DUTY Extended Cab Pickup	1998/09	2007/12
F-350 SUPER DUTY Standard Cab Pickup	1998/09	2007/12



BRAKE DISC

- Rear Axle
- Vented

- Safety
- Performance
- OEM Standarts
- AYD Quality

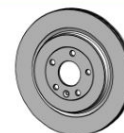


AYD NO
10-50651

MATERIAL
TYPE-1

WEIGHT
7,79 KG

BALANCING
100 %



OE:
DG1Z2C026A

10-50651

Technical Specifications:

Diameter (mm)	Height (mm)	Brake Disc Thickness (mm)	Min. Thickness (mm)	Centering Diameter (mm)	Bolt Hole Circle (mm)	Num. of Holes
345	38.75	19	17.5	68	114.3	5+1

FORD USA

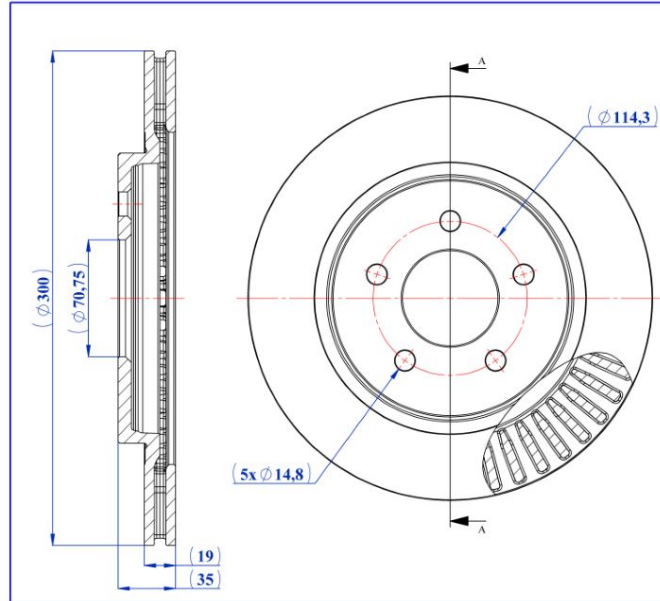
MODEL	START Y.	END Y.
EXPLORER (U5_)	2010/10	
FLEX	2008/09	



BRAKE DISC

- Rear Axle
- Vented

- Safety
- Performance
- OEM Standarts
- AYD Quality



AYD[®]
AUTOMOTIVE INDUSTRY

AYD NO
10-50712

MATERIAL
TYPE-1

WEIGHT
6 KG

BALANCING
100 %



OE:
5R3Z2C026AA

10-50712

Technical Specifications:

Diameter (mm)	Height (mm)	Brake Disc Thickness (mm)	Min. Thickness (mm)	Centering Diameter (mm)	Bolt Hole Circle (mm)	Num. of Holes
300	35	19	17.4	70.75	114.3	5

FORD USA

MODEL	START Y.	END Y.
MUSTANG Convertible	2005/09	
MUSTANG Coupe	2004/12	



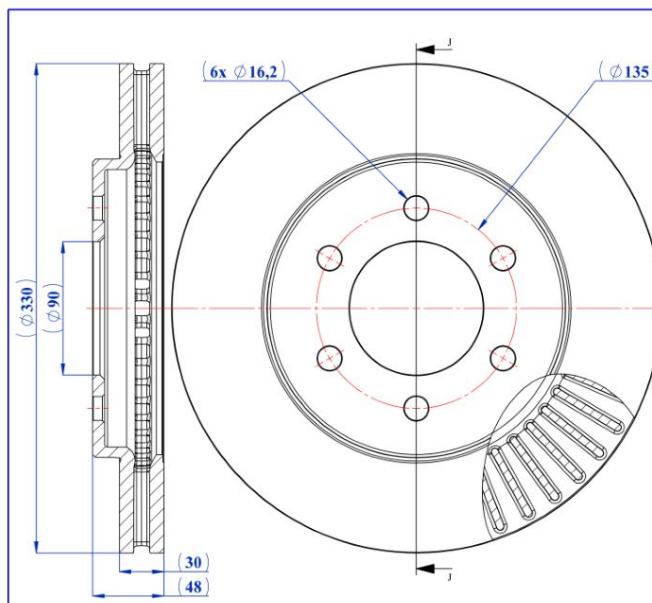
BRAKE DISC

- Front Axle
- Vented

- Safety
- Performance
- OEM Standarts
- AYD Quality

OE:
5L1Z1125BA

10-50716



AYD
AUTOMOTIVE INDUSTRY

AYD NO
10-50716

MATERIAL
TYPE-1

WEIGHT
10,45 KG

BALANCING
100 %



Technical Specifications:

Diameter (mm)	Height (mm)	Brake Disc Thickness (mm)	Min. Thickness (mm)	Centering Diameter (mm)	Bolt Hole Circle (mm)	Num. of Holes
330	48	30	27	90	135	6

FORD USA

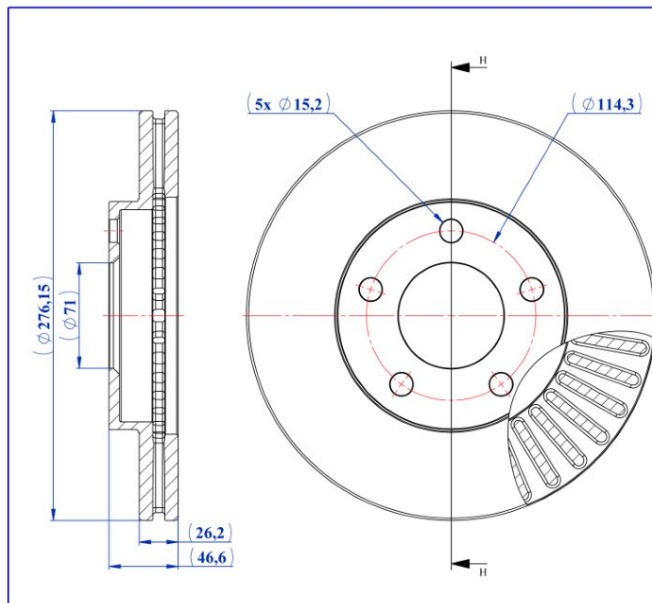
MODEL	START Y.	END Y.
EXPEDITION	2002/10	2006/02



BRAKE DISC

- Front Axle
- Vented

- Safety
- Performance
- OEM Standarts
- AYD Quality



AYD NO
10-50718

MATERIAL
TYPE-1

WEIGHT
7,18 KG

BALANCING
100 %



OE:
F4ZZ1125A

10-50718

Technical Specifications:

Diameter (mm)	Height (mm)	Brake Disc Thickness (mm)	Min. Thickness (mm)	Centering Diameter (mm)	Bolt Hole Circle (mm)	Num. of Holes
276.15	46.6	26.2	24.75	71	114.3	5

FORD USA

MODEL	START Y.	END Y.
MUSTANG Convertible (C)	1993/09	2004/12
MUSTANG Coupe (C)	1993/09	2004/12



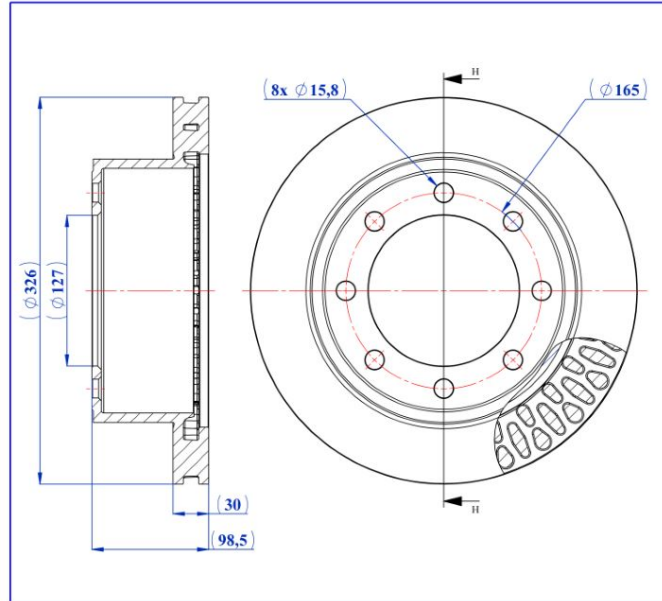
BRAKE DISC

- Rear Axle
- Vented

- Safety
- Performance
- OEM Standarts
- AYD Quality

OE:
XC2Z2X026AA

10-50805



AYD[®]
AUTOMOTIVE INDUSTRY

AYD NO
10-50805

MATERIAL
TYPE-1

WEIGHT
10,97 KG

BALANCING
100 %



Technical Specifications:

Diameter (mm)	Height (mm)	Brake Disc Thickness (mm)	Min. Thickness (mm)	Centering Diameter (mm)	Bolt Hole Circle (mm)	Num. of Holes
326	98.5	30	28	127	165	8

FORD USA

MODEL	START Y.	END Y.
E-150 Standard Cargo Van	1991/09	
E-150 Standard Passenger Van	1991/09	
E-250 Extended Cargo Van	1991/09	
E-250 Standard Cargo Van	1991/09	
E-250 Stripped Chassis	1991/09	
E-350 SUPER DUTY Cab & Chassis	2003/09	
E-350 SUPER DUTY Cutaway Van	1998/09	
E-350 SUPER DUTY Extended Cargo Van	1998/09	
E-350 SUPER DUTY Extended Passenger Van	2003/09	
E-350 SUPER DUTY Standard Cargo Van	1998/09	
E-350 SUPER DUTY Stripped Chassis	1998/09	



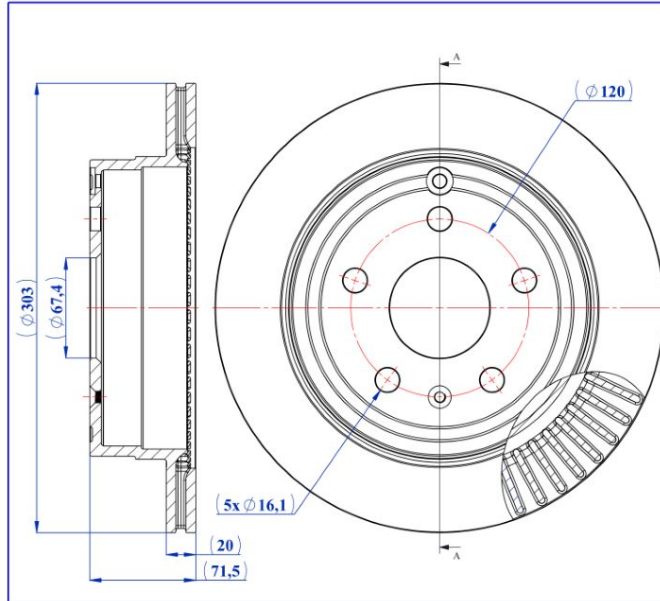
BRAKE DISC

- Rear Axle
- Vented

- Safety
- Performance
- OEM Standarts
- AYD Quality

OE:
20792027

10-50593



AYD[®]
AUTOMOTIVE INDUSTRY

AYD NO
10-50593

MATERIAL
TYPE-1

WEIGHT
7,28 KG

BALANCING
100 %



Technical Specifications:

Diameter (mm)	Height (mm)	Brake Disc Thickness (mm)	Min. Thickness (mm)	Centering Diameter (mm)	Bolt Hole Circle (mm)	Num. of Holes
303	71.5	20	18.4	67.4	120	5+2

GMC

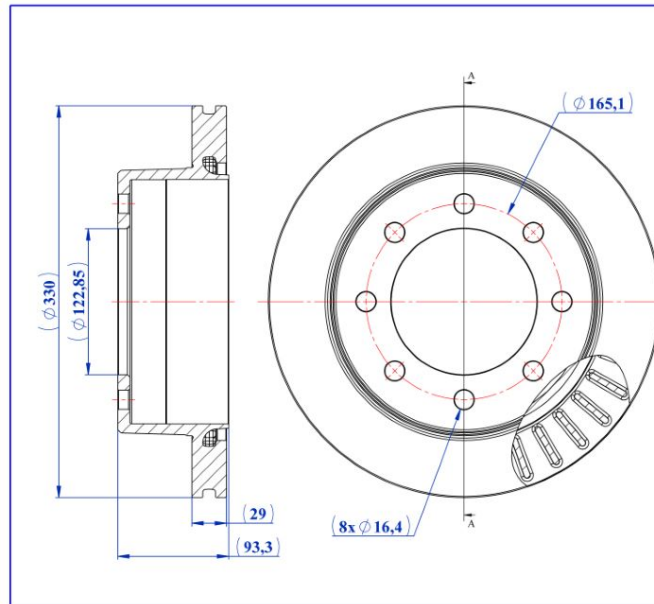
MODEL	START Y.	END Y.
TERRAIN	2009/08	



BRAKE DISC

- Rear Axle
- Vented

- Safety
- Performance
- OEM Standarts
- AYD Quality



AYD NO
10-50633

MATERIAL
TYPE-1

WEIGHT
11,38 KG

BALANCING
100 %



OE:
15712803

10-50633

Technical Specifications:

Diameter (mm)	Height (mm)	Brake Disc Thickness (mm)	Min. Thickness (mm)	Centering Diameter (mm)	Bolt Hole Circle (mm)	Num. of Holes
330	93.3	29	27	122.85	165.1	8

GMC

MODEL	START Y.	END Y.
SAVANA 2500 Extended Cargo Van	2002/09	
SAVANA 3500 Cutaway Van	2002/09	
SAVANA 3500 Extended Cargo Van	2002/09	
SAVANA 3500 Extended Passenger Van	2002/09	
SAVANA 3500 Standard Cargo Van	2002/09	
SAVANA 3500 Standard Passenger Van	2002/09	
SIERRA 2500 Cab & Chassis	1997/09	2006/12
SIERRA 2500 Crew Cab Pickup	1997/09	2006/12
SIERRA 2500 Extended Cab Pickup	1997/09	2006/12
SIERRA 3500 Cab & Chassis	2000/09	2007/12
YUKON XL 2500	2006/09	2014/12



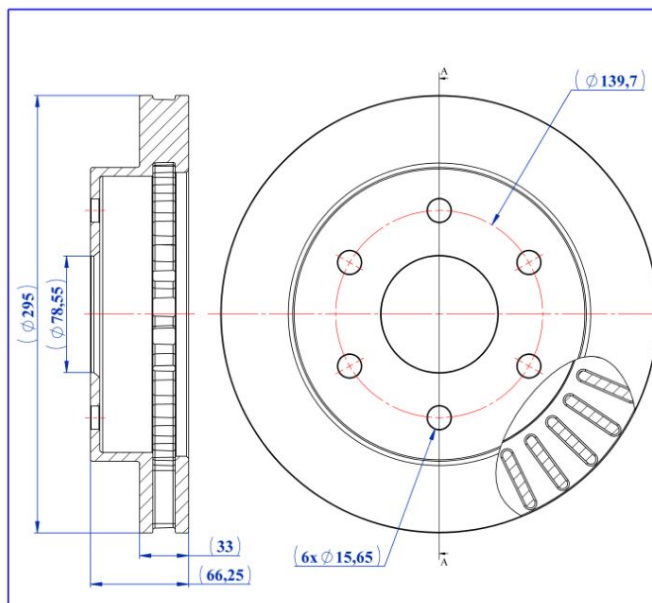
BRAKE DISC

- Front Axle
- Vented

- Safety
- Performance
- OEM Standarts
- AYD Quality

OE:
19176760

10-50638



AYD[®]
AUTOMOTIVE INDUSTRY

AYD NO
10-50638

MATERIAL
TYPE-1

WEIGHT
8,08 KG

BALANCING
100 %



Technical Specifications:

Diameter (mm)	Height (mm)	Brake Disc Thickness (mm)	Min. Thickness (mm)	Centering Diameter (mm)	Bolt Hole Circle (mm)	Num. of Holes
295	66.25	33	30.85	78.55	139.7	6

GMC

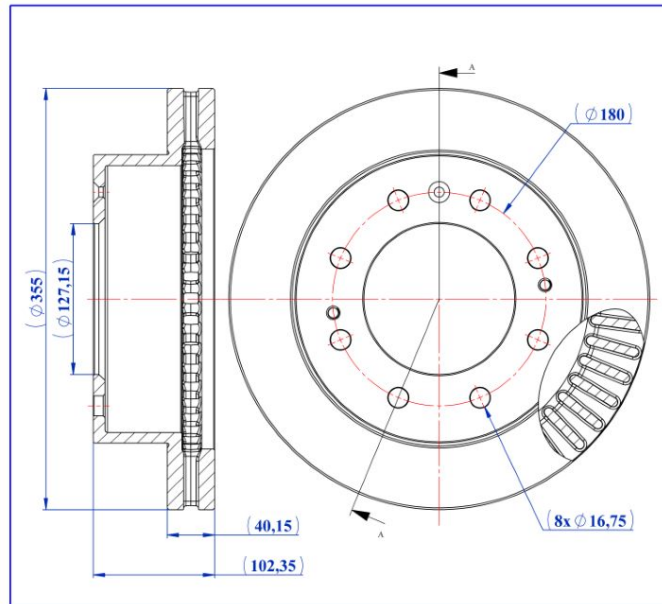
MODEL	START Y.	END Y.
K1500 Extended Cab Pickup	1987/09	2000/12
K1500 SUBURBAN SUV	1991/09	2000/12
YUKON	1991/04	2000/12



BRAKE DISC

- Front Axle
- Vented

- Safety
- Performance
- OEM Standarts
- AYD Quality



AYD NO
10-50641

MATERIAL
TYPE-1

WEIGHT
16,86 KG

BALANCING
100 %



OE:
23118117

10-50641

Technical Specifications:

Diameter (mm)	Height (mm)	Brake Disc Thickness (mm)	Min. Thickness (mm)	Centering Diameter (mm)	Bolt Hole Circle (mm)	Num. of Holes
355	102.35	40.15	38.5	127.15	180	8+3

GMC

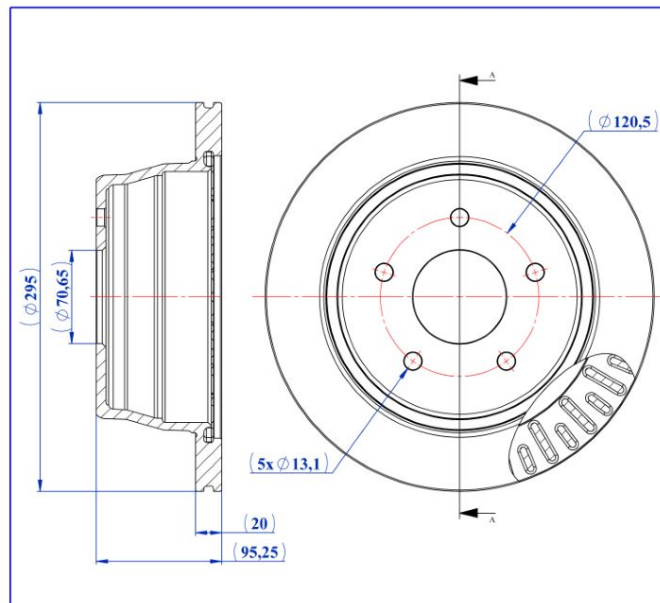
MODEL	START Y.	END Y.
SIERRA 2500 HD Cab & Chassis	2006/09	2013/12
SIERRA 3500 HD Cab & Chassis	2006/09	2013/12
SIERRA 3500 HD Extended Cab Pickup	2006/09	2013/12
SIERRA 3500 HD Standard Cab Pickup	2006/09	2013/12



BRAKE DISC

- Rear Axle
- Vented

- Safety
- Performance
- OEM Standarts
- AYD Quality



AYD NO
10-50727

MATERIAL
TYPE-1

WEIGHT
7,07 KG

BALANCING
100 %



OE:
15704667

10-50727

Technical Specifications:

Diameter (mm)	Height (mm)	Brake Disc Thickness (mm)	Min. Thickness (mm)	Centering Diameter (mm)	Bolt Hole Circle (mm)	Num. of Holes
295	95.25	20	18.5	70.65	120.5	5

GMC

MODEL	START Y.	END Y.
SONOMA Extended Cab Pickup	1993/09	2004/12

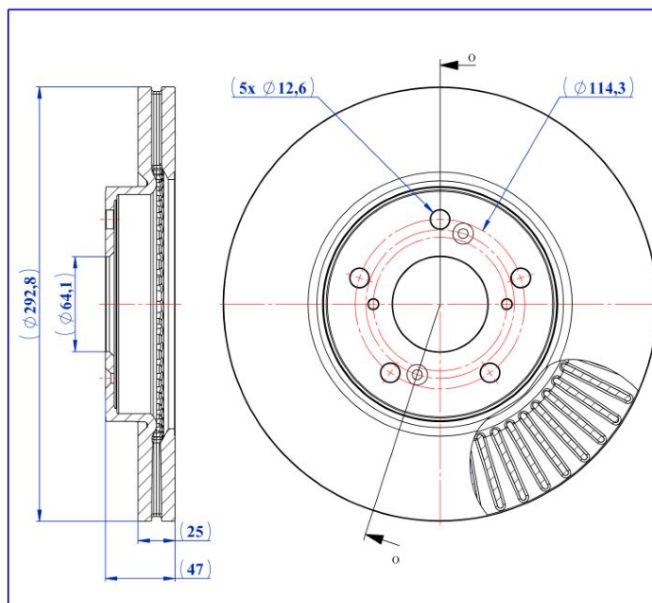


BRAKE DISC

- Front Axle
- Vented

- Safety
- Performance
- OEM Standarts
- AYD Quality

OE:
45251T8MG01
45251T7WA02
45251T7WA01



AYD
AUTOMOTIVE INDUSTRY

AYD NO
10-50723

MATERIAL
TYPE-1

WEIGHT
7,74 KG

BALANCING
100 %



10-50723

Technical Specifications:

Diameter (mm)	Height (mm)	Brake Disc Thickness (mm)	Min. Thickness (mm)	Centering Diameter (mm)	Bolt Hole Circle (mm)	Num. of Holes
292.8	47	25	23	64.1	114.3	5+4

HONDA

MODEL	START Y.	END Y.
HR-V (RU)	2014/11	



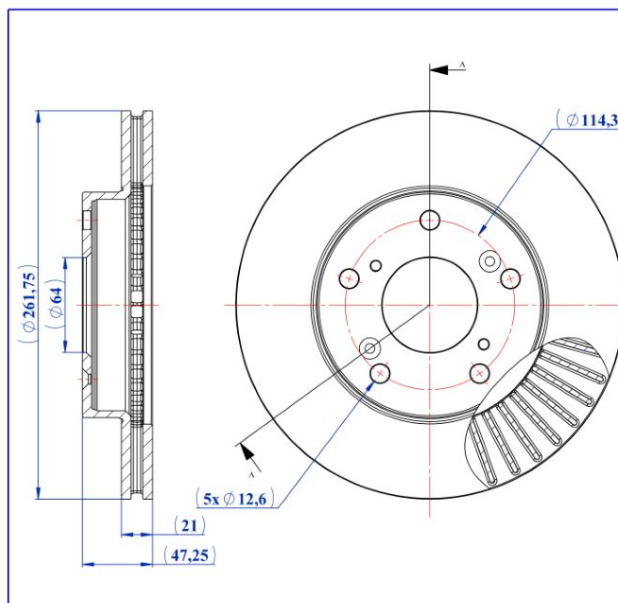
BRAKE DISC

- Front Axle
- Vented

- Safety
- Performance
- OEM Standarts
- AYD Quality

OE:
45251TR3A00
45251TROA00

10-50734



AYD
AUTOMOTIVE INDUSTRY

AYD NO
10-50734

MATERIAL
TYPE-1

WEIGHT
4,69 KG

BALANCING
100 %



Technical Specifications:

Diameter (mm)	Height (mm)	Brake Disc Thickness (mm)	Min. Thickness (mm)	Centering Diameter (mm)	Bolt Hole Circle (mm)	Num. of Holes
261.75	47.25	21	19	64	114.3	5+4

HONDA

MODEL	START Y.	END Y.
CIVIC IX (FK)	2012/02	
CIVIC IX Coupe	2012/01	
CIVIC IX Sedan (FB)	2011/09	

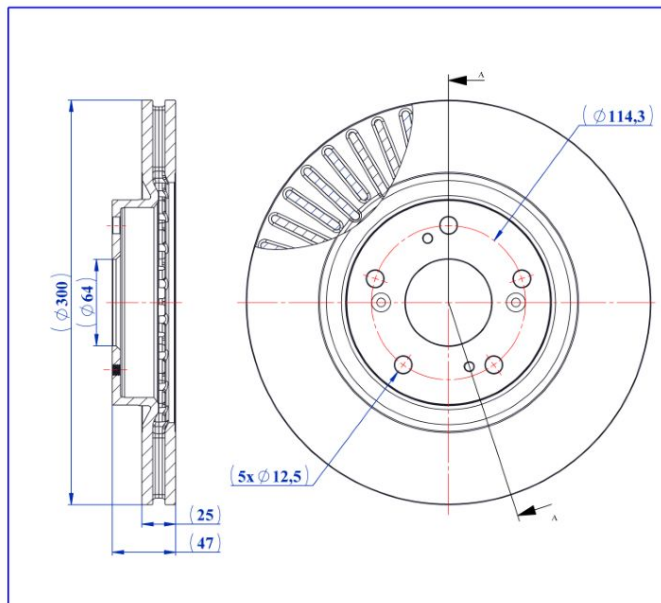


BRAKE DISC

- Front Axle
- Vented

- Safety
- Performance
- OEM Standarts
- AYD Quality

OE:
45251S9AE50
45251S6MA10
45251SCAE50



AYD[®]
AUTOMOTIVE INDUSTRY

AYD NO
10-50736

MATERIAL
TYPE-1

WEIGHT
7,53 KG

BALANCING
100 %



10-50736

Technical Specifications:

Diameter (mm)	Height (mm)	Brake Disc Thickness (mm)	Min. Thickness (mm)	Centering Diameter (mm)	Bolt Hole Circle (mm)	Num. of Holes
300	47	25	23	64	114.3	5+4

HONDA

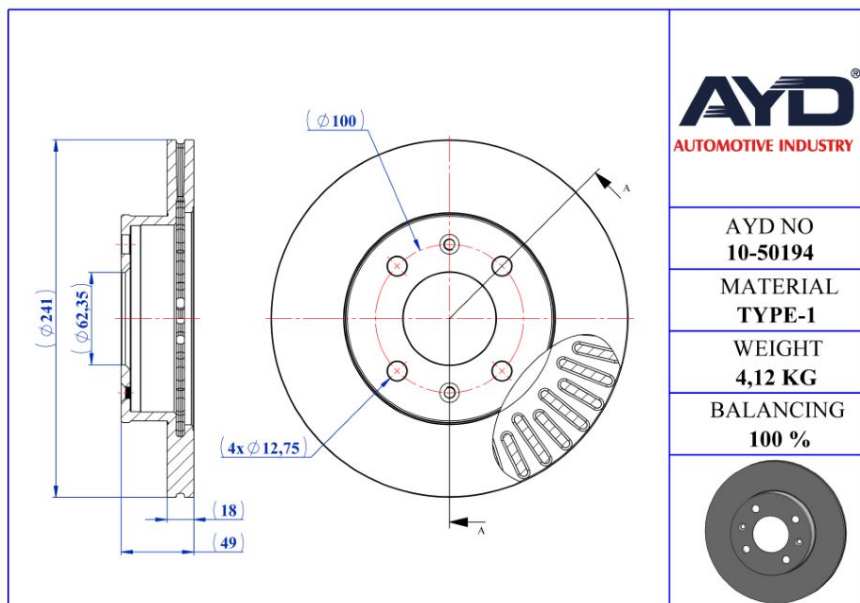
MODEL	START Y.	END Y.
CIVIC VIII Hatchback (FN, FK)	2005/09	
CR-V II (RD_)	2001/09	2007/07



BRAKE DISC

- Front Axle
- Vented

- Safety
- Performance
- OEM Standarts
- AYD Quality



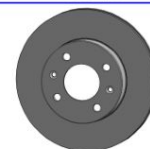
AYD[®]
AUTOMOTIVE INDUSTRY

AYD NO
10-50194

MATERIAL
TYPE-1

WEIGHT
4,12 KG

BALANCING
100 %



OE:
517120X500

10-50194

Technical Specifications:

Diameter (mm)	Height (mm)	Brake Disc Thickness (mm)	Min. Thickness (mm)	Centering Diameter (mm)	Bolt Hole Circle (mm)	Num. of Holes
241	49	18	16	62.35	100	4+2

HYUNDAI

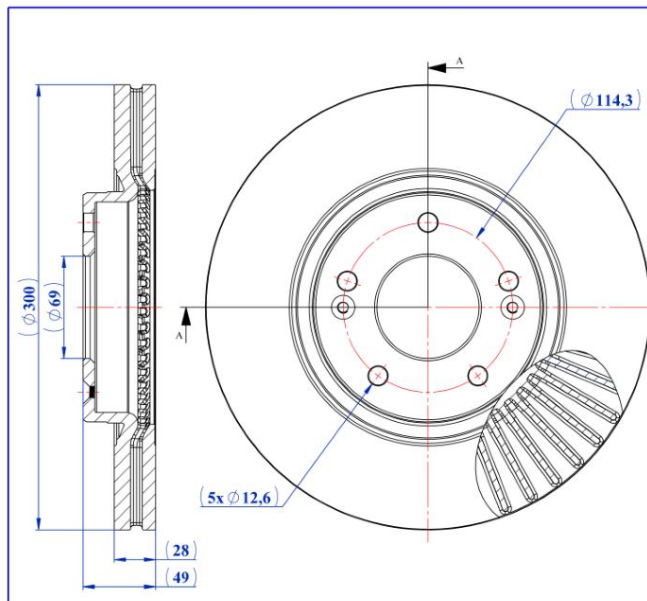
MODEL	START Y.	END Y.
i10 I (PA)	2007/10	
i10 II (BA, IA)	2013/08	
i10 II Sedan	2013/12	



BRAKE DISC

- Front Axle
- Vented

- Safety
- Performance
- OEM Standarts
- AYD Quality

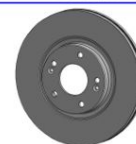


AYD NO
10-50721

MATERIAL
TYPE-1

WEIGHT
9,46 KG

BALANCING
100 %



OE:
517121U000

10-50721

Technical Specifications:

Diameter (mm)	Height (mm)	Brake Disc Thickness (mm)	Min. Thickness (mm)	Centering Diameter (mm)	Bolt Hole Circle (mm)	Num. of Holes
300	49	28	26.4	69	114.3	5+2

HYUNDAI

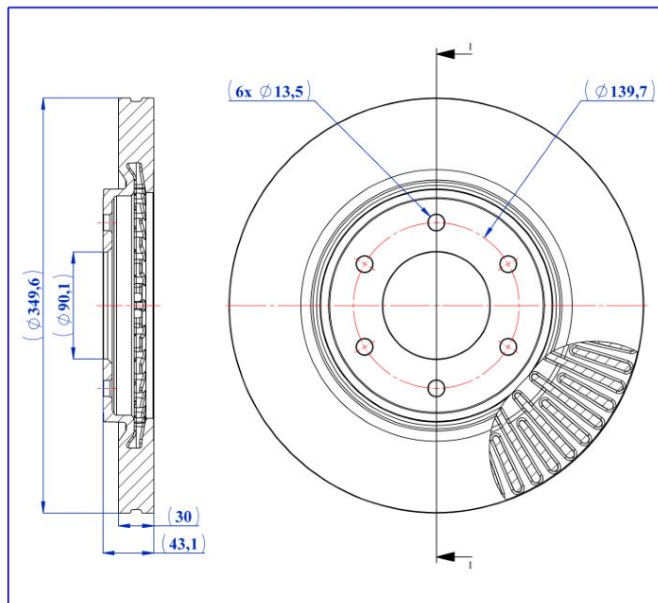
MODEL	START Y.	END Y.
SANTA FE II (CM)	2005/01	2015/03



BRAKE DISC

- Front Axle
- Vented

- Safety
- Performance
- OEM Standarts
- AYD Quality

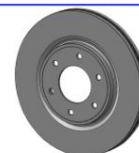


AYD NO
10-50733

MATERIAL
TYPE-1

WEIGHT
12,72 KG

BALANCING
100 %



OE:
402069FF0C

10-50733

Technical Specifications:

Diameter (mm)	Height (mm)	Brake Disc Thickness (mm)	Min. Thickness (mm)	Centering Diameter (mm)	Bolt Hole Circle (mm)	Num. of Holes
349.6	43.1	30	28.5	90.1	139.7	6

INFINITI

MODEL	START Y.	END Y.
QX56	2003/09	2010/12



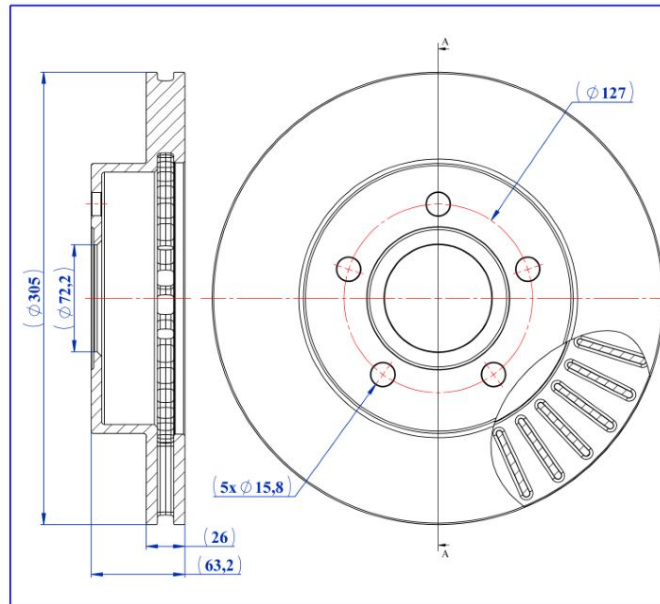
BRAKE DISC

- Front Axle
- Vented

- Safety
- Performance
- OEM Standarts
- AYD Quality

OE:
52098672

10-50646



AYD[®]
AUTOMOTIVE INDUSTRY

AYD NO
10-50646

MATERIAL
TYPE-1

WEIGHT
7,71 KG

BALANCING
100 %



Technical Specifications:

Diameter (mm)	Height (mm)	Brake Disc Thickness (mm)	Min. Thickness (mm)	Centering Diameter (mm)	Bolt Hole Circle (mm)	Num. of Holes
305	63.2	26	24.5	72.2	127	5

JEEP

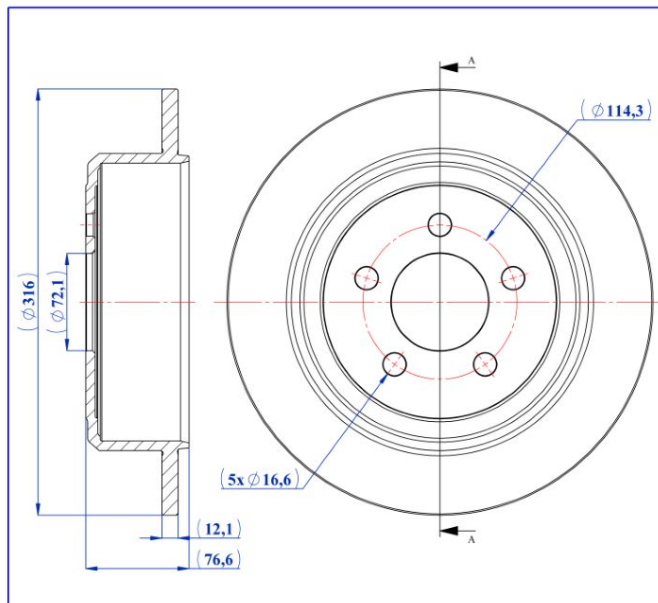
MODEL	START Y.	END Y.
GRAND CHEROKEE II (WJ, WG)	1998/09	2005/09



BRAKE DISC

- Rear Axle
- Solid

- Safety
- Performance
- OEM Standarts
- AYD Quality

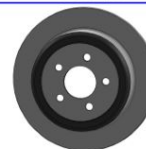


AYD NO
10-50708

MATERIAL
TYPE-1

WEIGHT
7,44 KG

BALANCING
100 %



OE:
52129250AA

10-50708

Technical Specifications:

Diameter (mm)	Height (mm)	Brake Disc Thickness (mm)	Min. Thickness (mm)	Centering Diameter (mm)	Bolt Hole Circle (mm)	Num. of Holes
316	76.6	12.1	10.4	72.1	114.3	5

JEEP

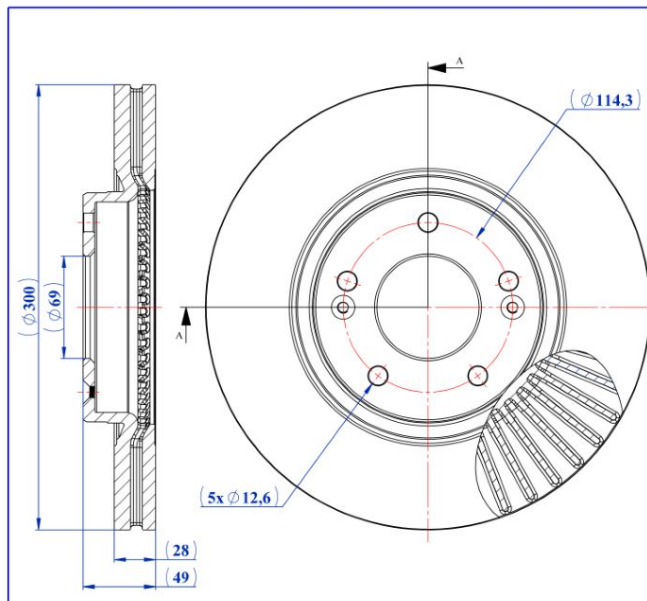
MODEL	START Y.	END Y.
CHEROKEE (KK)	2007/09	



BRAKE DISC

- Front Axle
- Vented

- Safety
- Performance
- OEM Standarts
- AYD Quality

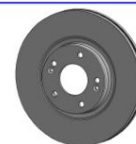


AYD NO
10-50721

MATERIAL
TYPE-1

WEIGHT
9,46 KG

BALANCING
100 %



OE:
517121U000

10-50721

Technical Specifications:

Diameter (mm)	Height (mm)	Brake Disc Thickness (mm)	Min. Thickness (mm)	Centering Diameter (mm)	Bolt Hole Circle (mm)	Num. of Holes
300	49	28	26.4	69	114.3	5+2

KIA

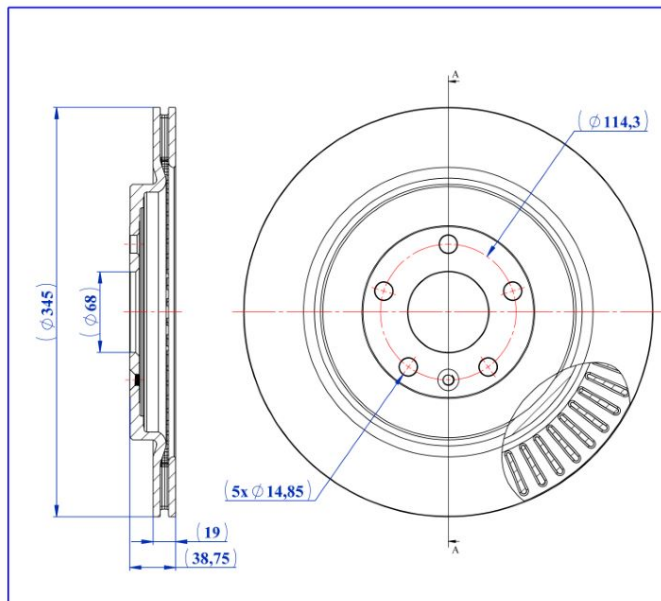
MODEL	START Y.	END Y.
SORENTO II (XM)	2009/09	2016/04



BRAKE DISC

- Rear Axle
- Vented

- Safety
- Performance
- OEM Standarts
- AYD Quality



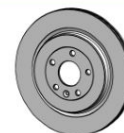
AYD[®]
AUTOMOTIVE INDUSTRY

AYD NO
10-50651

MATERIAL
TYPE-1

WEIGHT
7,79 KG

BALANCING
100 %



OE:
DG1Z2C026A

10-50651

Technical Specifications:

Diameter (mm)	Height (mm)	Brake Disc Thickness (mm)	Min. Thickness (mm)	Centering Diameter (mm)	Bolt Hole Circle (mm)	Num. of Holes
345	38.75	19	17.5	68	114.3	5+1

LINCOLN

MODEL	START Y.	END Y.
MKS	2008/04	
MKT	2009/09	



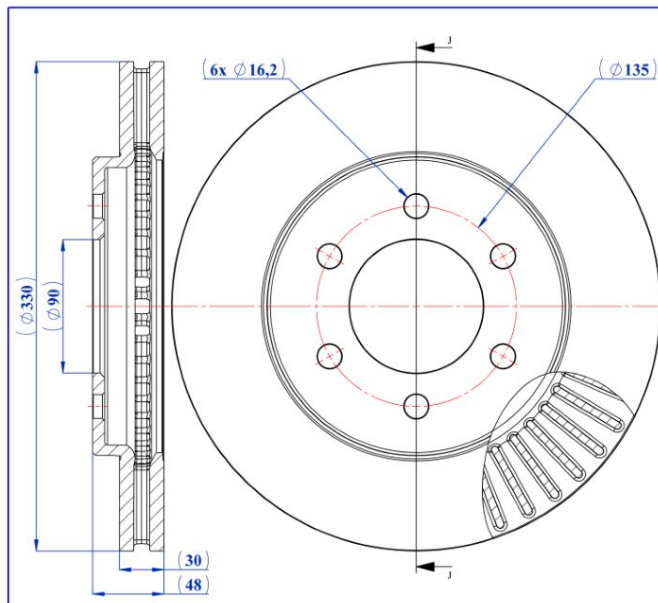
BRAKE DISC

- Front Axle
- Vented

- Safety
- Performance
- OEM Standarts
- AYD Quality

OE:
6L1Z1125A

10-50716



AYD
AUTOMOTIVE INDUSTRY

AYD NO
10-50716

MATERIAL
TYPE-1

WEIGHT
10,45 KG

BALANCING
100 %



Technical Specifications:

Diameter (mm)	Height (mm)	Brake Disc Thickness (mm)	Min. Thickness (mm)	Centering Diameter (mm)	Bolt Hole Circle (mm)	Num. of Holes
330	48	30	27	90	135	6

LINCOLN

MODEL	START Y.	END Y.
NAVIGATOR (U228)	2002/09	2006/12
NAVIGATOR (U326)	2006/09	2017/11

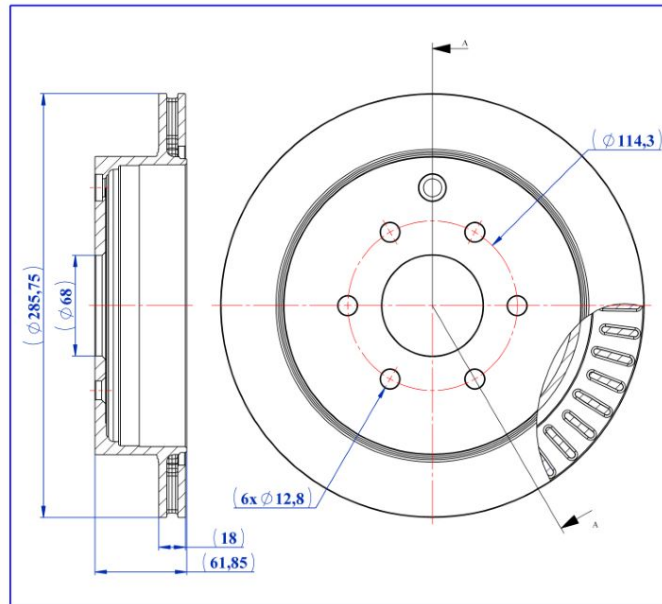


BRAKE DISC

- Rear Axle
- Vented

- Safety
- Performance
- OEM Standarts
- AYD Quality

OE:
432069BE0C
432069BE0A
43206EA010



AYD[®]
AUTOMOTIVE INDUSTRY

AYD NO
10-50671

MATERIAL
TYPE-1

WEIGHT
5,49 KG

BALANCING
100 %



10-50671

Technical Specifications:

Diameter (mm)	Height (mm)	Brake Disc Thickness (mm)	Min. Thickness (mm)	Centering Diameter (mm)	Bolt Hole Circle (mm)	Num. of Holes
285.75	61.85	18	16	68	114.3	6+1

NISSAN

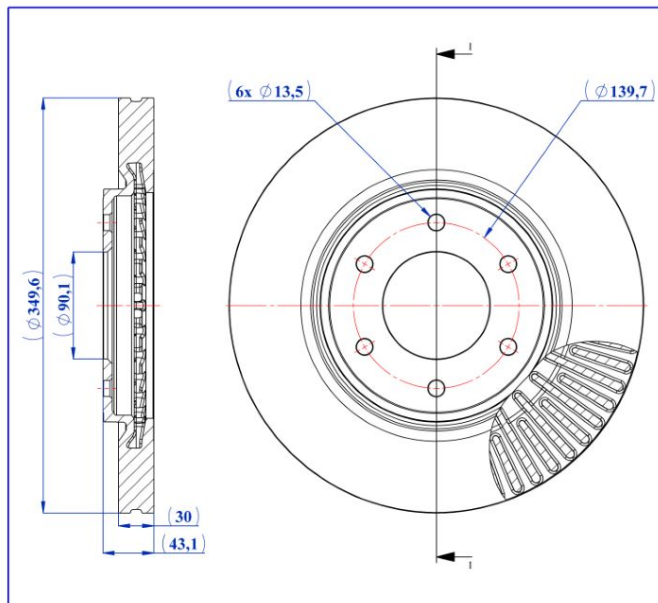
MODEL	START Y.	END Y.
XTERRA (N50)	2005/01	



BRAKE DISC

- Front Axle
- Vented

- Safety
- Performance
- OEM Standarts
- AYD Quality



AYD NO
10-50733

MATERIAL
TYPE-1

WEIGHT
12,72 KG

BALANCING
100 %



OE:
402069FF0C

10-50733

Technical Specifications:

Diameter (mm)	Height (mm)	Brake Disc Thickness (mm)	Min. Thickness (mm)	Centering Diameter (mm)	Bolt Hole Circle (mm)	Num. of Holes
349.6	43.1	30	28.5	90.1	139.7	6

NISSAN

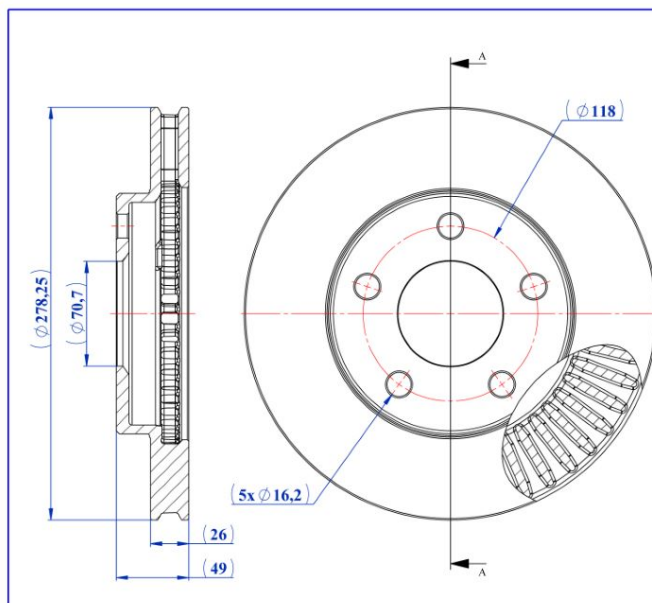
MODEL	START Y.	END Y.
ARMADA (TA60)	2003/08	2015/12
TITAN (A60)	2003/10	



BRAKE DISC

- Front Axle
- Vented

- Safety
- Performance
- OEM Standarts
- AYD Quality



AYD NO
10-50688

MATERIAL
TYPE-1

WEIGHT
6,42 KG

BALANCING
100 %



OE:
19152703

10-50688

Technical Specifications:

Diameter (mm)	Height (mm)	Brake Disc Thickness (mm)	Min. Thickness (mm)	Centering Diameter (mm)	Bolt Hole Circle (mm)	Num. of Holes
278.25	49	26	24.7	70.7	118	5

OLDSMOBILE

MODEL	START Y.	END Y.
ALERO Coupe	1998/09	2004/12
ALERO Sedan	1998/09	2004/12

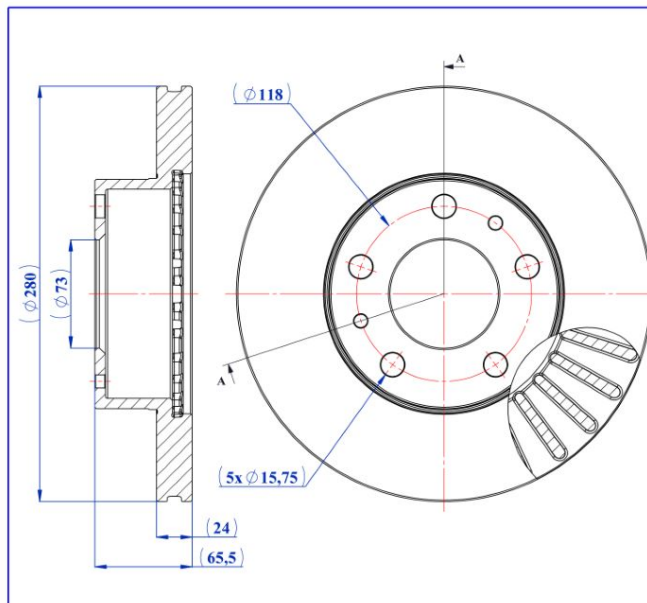


BRAKE DISC

- Front Axle
- Vented

- Safety
- Performance
- OEM Standarts
- AYD Quality

OE:
4246L4
1607872080
4246X9



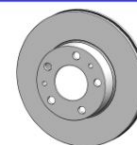
AYD[®]
AUTOMOTIVE INDUSTRY

AYD NO
10-50246

MATERIAL
TYPE-1

WEIGHT
7,04 KG

BALANCING
100 %



10-50246

Technical Specifications:

Diameter (mm)	Height (mm)	Brake Disc Thickness (mm)	Min. Thickness (mm)	Centering Diameter (mm)	Bolt Hole Circle (mm)	Num. of Holes
280	65.5	24	22	73	118	5+2

PEUGEOT

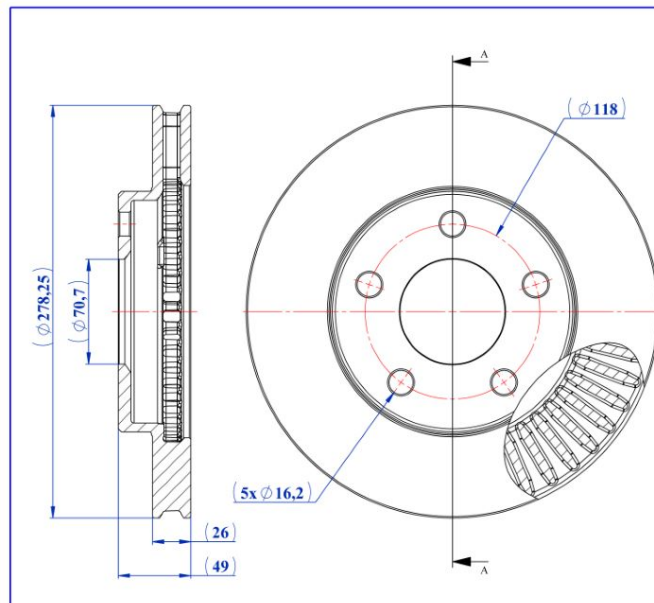
MODEL	START Y.	END Y.
BOXER Minibus/Bus	2005/09	
BOXER Minibus/Bus (230P)	1994/03	2002/04
BOXER Panelvan/Van	2006/04	
BOXER Panelvan/Van (230L)	1994/03	2005/08
BOXER Platform	2006/04	
BOXER Platform (ZCT_)	1994/03	2002/04



BRAKE DISC

- Front Axle
- Vented

- Safety
- Performance
- OEM Standarts
- AYD Quality



AYD NO
10-50688

MATERIAL
TYPE-1

WEIGHT
6,42 KG

BALANCING
100 %



OE:
19152703

10-50688

Technical Specifications:

Diameter (mm)	Height (mm)	Brake Disc Thickness (mm)	Min. Thickness (mm)	Centering Diameter (mm)	Bolt Hole Circle (mm)	Num. of Holes
278.25	49	26	24.7	70.7	118	5

PONTIAC

MODEL	START Y.	END Y.
GRAND AM Coupe	1997/09	2005/12
GRAND AM Sedan	1998/09	2005/12

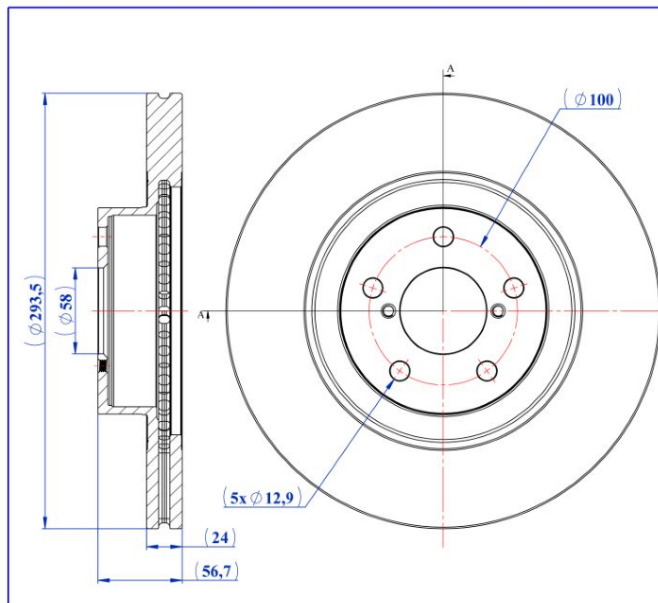


BRAKE DISC

- Front Axle
- Vented

- Safety
- Performance
- OEM Standarts
- AYD Quality

OE:
26300SA001
26300AG01A



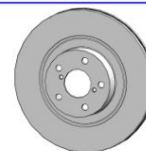
AYD[®]
AUTOMOTIVE INDUSTRY

AYD NO
10-50616

MATERIAL
TYPE-1

WEIGHT
7,83 KG

BALANCING
100 %



10-50616

Technical Specifications:

Diameter (mm)	Height (mm)	Brake Disc Thickness (mm)	Min. Thickness (mm)	Centering Diameter (mm)	Bolt Hole Circle (mm)	Num. of Holes
293.5	56.7	24	22	58	100	5+2

SUBARU

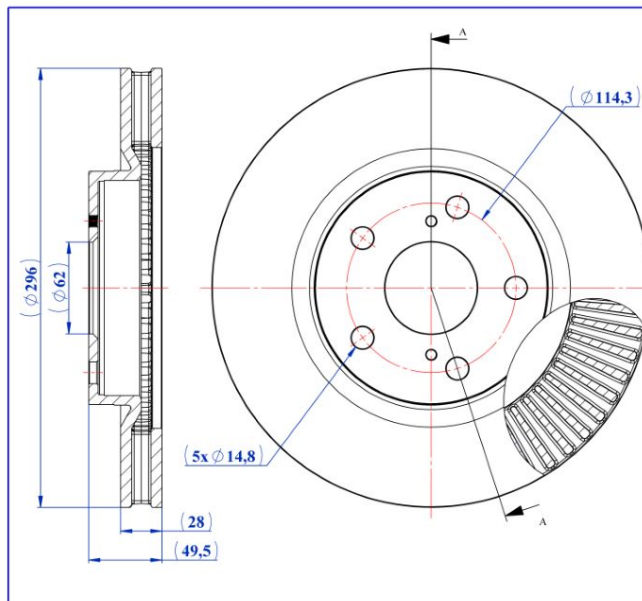
MODEL	START Y.	END Y.
BRZ	2012/06	
FORESTER (SG_)	2002/02	2012/12
FORESTER (SH_)	2007/12	
FORESTER (SJ_)	2012/11	
IMPREZA Hatchback (GP_)	2011/10	
IMPREZA Hatchback (GR, GH, G3)	2007/03	2014/05
IMPREZA Sedan (GD)	1999/09	2009/06
IMPREZA Station wagon (GG)	2000/10	2008/12
LEGACY IV (BL)	2003/09	2015/12
LEGACY IV Station wagon (BP)	2003/09	2009/12
LEGACY V (BM)	2009/05	



BRAKE DISC

- Front Axle
- Vented

- Safety
- Performance
- OEM Standarts
- AYD Quality



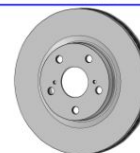
AYD
AUTOMOTIVE INDUSTRY

AYD NO
10-50547

MATERIAL
TYPE-1

WEIGHT
7,61 KG

BALANCING
100 %



OE:
435120R020

10-50547

Technical Specifications:

Diameter (mm)	Height (mm)	Brake Disc Thickness (mm)	Min. Thickness (mm)	Centering Diameter (mm)	Bolt Hole Circle (mm)	Num. of Holes
296	49.5	28	25	62	114.3	5+2

TOYOTA

MODEL	START Y.	END Y.
AURIS (_E15_)	2006/10	2012/09
AURIS (_E18_)	2012/10	2018/12
AURIS Station wagon (_E18_)	2013/07	2018/12
CAMRY Sedan (_V4_)	2006/01	2014/12
MIRAI (JPD1_)	2014/12	2020/05
PRIUS PLUS (_W4_)	2011/05	
RAV 4 III (_A3_)	2005/06	2014/08
RAV 4 IV (_A4_)	2012/12	



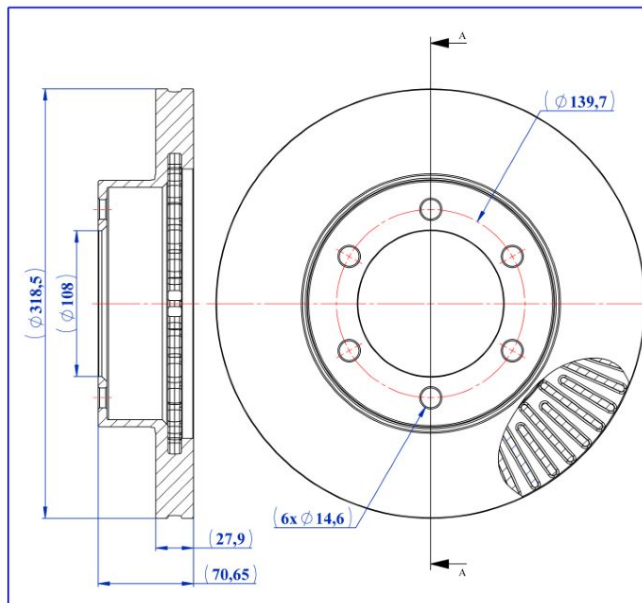
BRAKE DISC

- Front Axle
- Vented

- Safety
- Performance
- OEM Standarts
- AYD Quality

OE:
435120C010
435120C011

10-50662



AYD
AUTOMOTIVE INDUSTRY

AYD NO
10-50662

MATERIAL
TYPE-1

WEIGHT
9,39 KG

BALANCING
100 %



Technical Specifications:

Diameter (mm)	Height (mm)	Brake Disc Thickness (mm)	Min. Thickness (mm)	Centering Diameter (mm)	Bolt Hole Circle (mm)	Num. of Holes
318.5	70.65	27.9	26	108	139.7	6

TOYOTA

MODEL	START Y.	END Y.
SEQUOIA (_K3_, _K4_)	2000/05	2007/10
TUNDRA Pick-up (_K3_, _K4_)	1999/02	2006/11

