

new to range

SPEED TO MARKET SECOND TO NONE

AYD[®]
AUTOMOTIVE INDUSTRY



BRAKING NEW GROUND



SAFETY

PERFORMANCE

OEM Standards

AYD QUALITY

www.aydtr.com

500
Top 500 Industrial Enterprises of Turkey

TİM
TÜRKİYE'NİN İLK 1000 İNŞAATÇI FİRMASI
TOP 1000 EXPORTERS OF TURKEY

AUGUST 2022

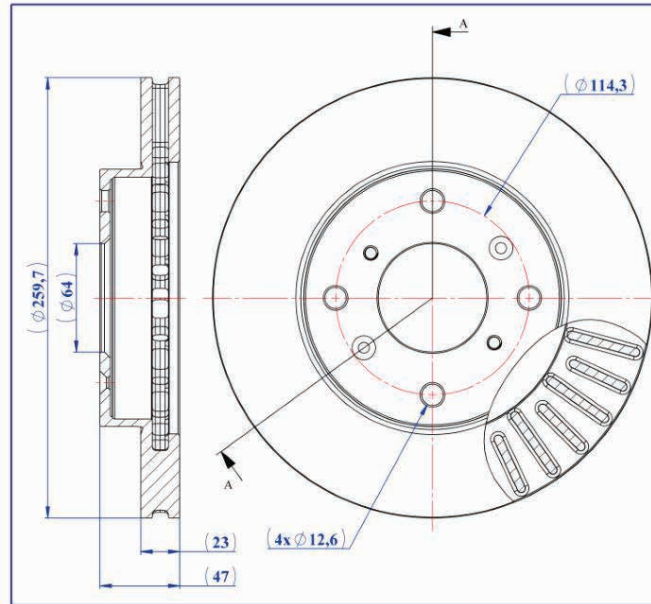
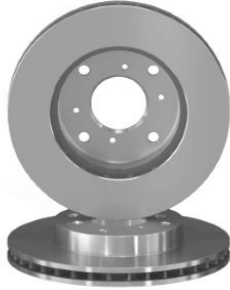
INDEX

ACURA	3
ALFA ROMEO	4-5
AUDI	6-8
BMW	9
BUICK	10-12
CADILLAC	13
CHEVROLET	14-16
CHRYSLER	17-18
CITROËN	19
DODGE	20
FORD	21-31
HONDA	32
INFINITI	33
JEEP	34-38
LINCOLN	39-41
MAZDA	42-43
MERCEDES-BENZ	44
MERCURY	45-48
MINI	49
NISSAN	50-51
OLDSMOBILE	52-54
OPEL	55-57
PEUGEOT	58
PONTIAC	59-62
SEAT	63-65
SKODA	66-67
SUZUKI	68
TOYOTA	69
VAUXHALL	70-72
VOLKSWAGEN	73-75

BRAKE DISC

- Front Axle
- Vented

- Safety
- Performance
- OEM Standarts
- AYD Quality



AYD
AUTOMOTIVE INDUSTRY

AYD NO
10-50697

MATERIAL
TYPE-1

WEIGHT
4,81 KG

BALANCING
100 %



OE:
45251S84A01

10-50697

Technical Specifications:

Diameter (mm)	Height (mm)	Brake Disc Thickness (mm)	Min. Thickness (mm)	Centering Diameter (mm)	Bolt Hole Circle (mm)	Num. of Holes
259.7	47	23	21	64	114.3	4+4

ACURA

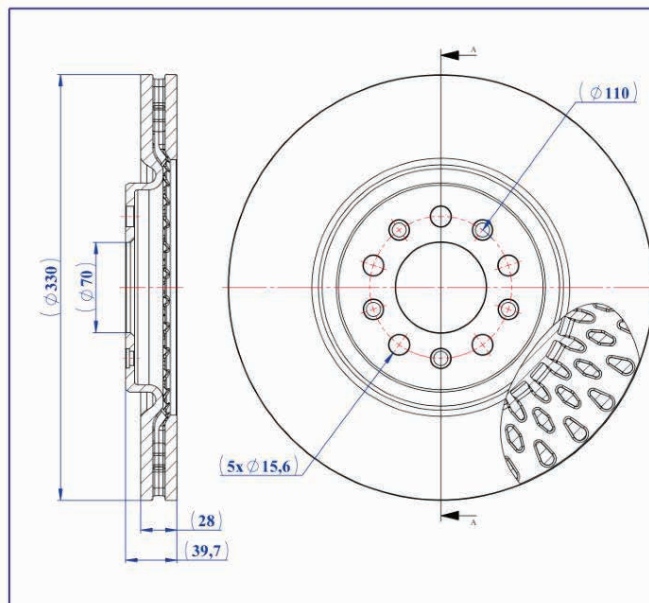
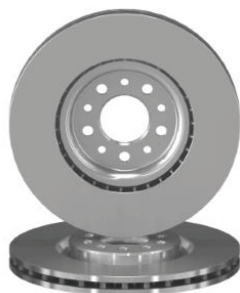
MODEL	START Y.	END Y.
CL Coupe	1996/10	2003/09



BRAKE DISC

- Front Axle
- Vented

- Safety
- Performance
- OEM Standards
- AYD Quality



AYD
AUTOMOTIVE INDUSTRY

AYD NO
10-50700

MATERIAL
TYPE-1

WEIGHT
9,90 KG

BALANCING
100 %



OE:
51731346

10-50700

Technical Specifications:

Diameter (mm)	Height (mm)	Brake Disc Thickness (mm)	Min. Thickness (mm)	Centering Diameter (mm)	Bolt Hole Circle (mm)	Num. of Holes
330	39.7	28	26.4	70	110	5+5

ALFA ROMEO

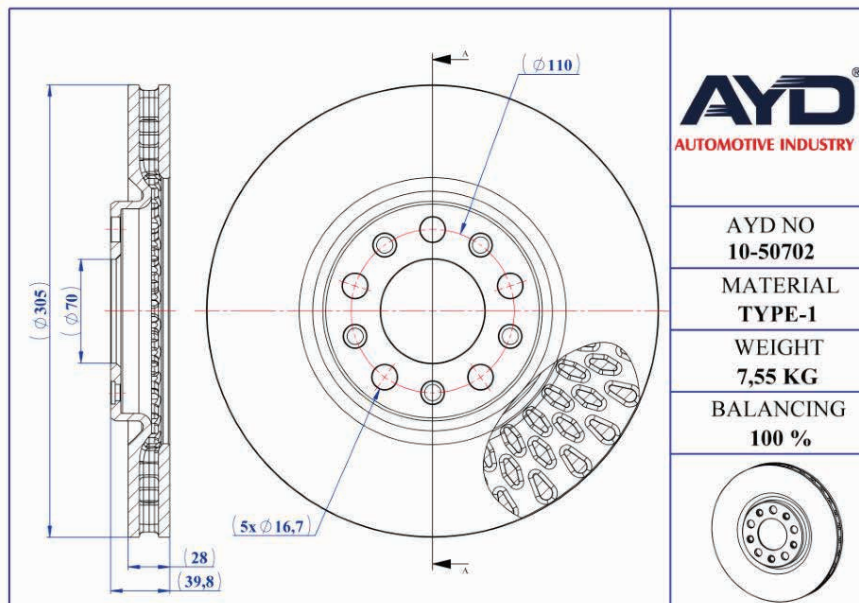
MODEL	START Y.	END Y.
159 (939_)	2005/06	2012/12
159 Sportwagon (939_)	2005/06	2012/12
BRERA (939_)	2006/01	2011/05
GIULIETTA (940_)	2010/04	2020/12
GIULIETTA Van (940_)	2011/04	2020/12
SPIDER (939_)	2006/03	2011/03



BRAKE DISC

- Front Axle
- Vented

- Safety
- Performance
- OEM Standarts
- AYD Quality



AYD
AUTOMOTIVE INDUSTRY

AYD NO
10-50702

MATERIAL
TYPE-1

WEIGHT
7,55 KG

BALANCING
100 %



OE:
51912591

10-50702

Technical Specifications:

Diameter (mm)	Height (mm)	Brake Disc Thickness (mm)	Min. Thickness (mm)	Centering Diameter (mm)	Bolt Hole Circle (mm)	Num. of Holes
305	39.8	28	26	70	110	5+5

ALFA ROMEO

MODEL	START Y.	END Y.
159 (939_)	2005/06	2012/12
159 Sportwagon (939_)	2005/06	2012/12
BRERA (939_)	2006/01	2011/05
GIULIETTA (940_)	2010/04	2020/12
SPIDER (939_)	2006/03	2011/03

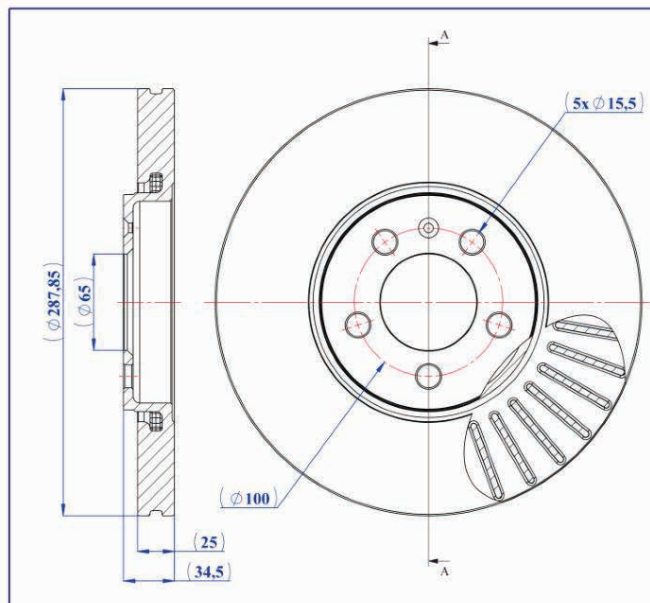


BRAKE DISC

- Front Axle
- Vented

- Safety
- Performance
- OEM Standards
- AYD Quality

OE:
6R0615301A
1J0615301S
1J0615301R



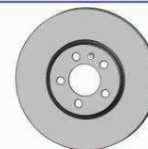
AYD
AUTOMOTIVE INDUSTRY

AYD NO
10-50206

MATERIAL
TYPE-1

WEIGHT
7,17 KG

BALANCING
100 %



10-50206

Technical Specifications:

Diameter (mm)	Height (mm)	Brake Disc Thickness (mm)	Min. Thickness (mm)	Centering Diameter (mm)	Bolt Hole Circle (mm)	Num. of Holes
287.85	34.5	25	22	65	100	5+1

AUDI

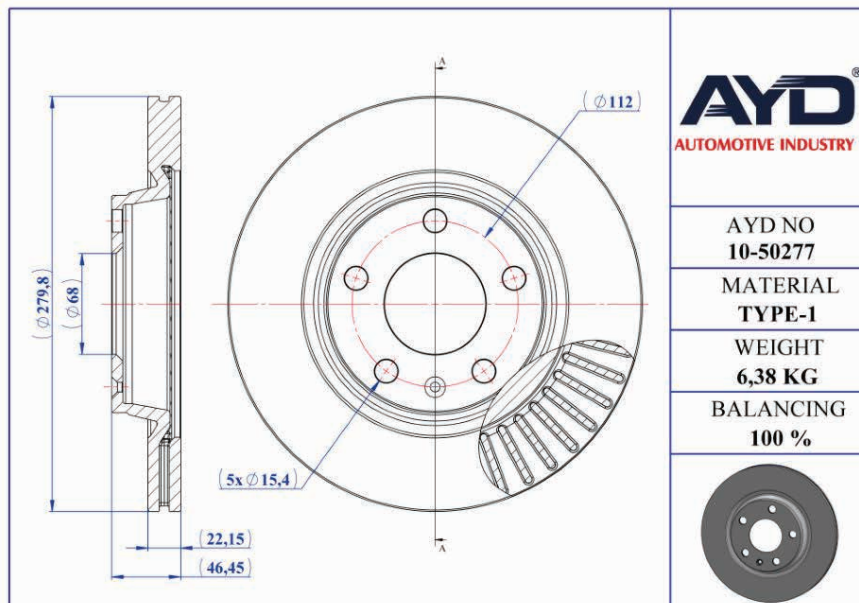
MODEL	START Y.	END Y.
A1 (8X1, 8XK)	2010/05	2018/10
A1 Sportback (8XA, 8XF)	2011/09	2018/10
A3 (8L1)	1996/09	2006/09



BRAKE DISC

- Front Axle
- Vented

- Safety
- Performance
- OEM Standarts
- AYD Quality



AYD
AUTOMOTIVE INDUSTRY

AYD NO
10-50277

MATERIAL
TYPE-1

WEIGHT
6,38 KG

BALANCING
100 %



OE:
8E0615301B
8E0615301P

10-50277

Technical Specifications:

Diameter (mm)	Height (mm)	Brake Disc Thickness (mm)	Min. Thickness (mm)	Centering Diameter (mm)	Bolt Hole Circle (mm)	Num. of Holes
279.8	46.45	22.15	20	68	112	5+1

AUDI

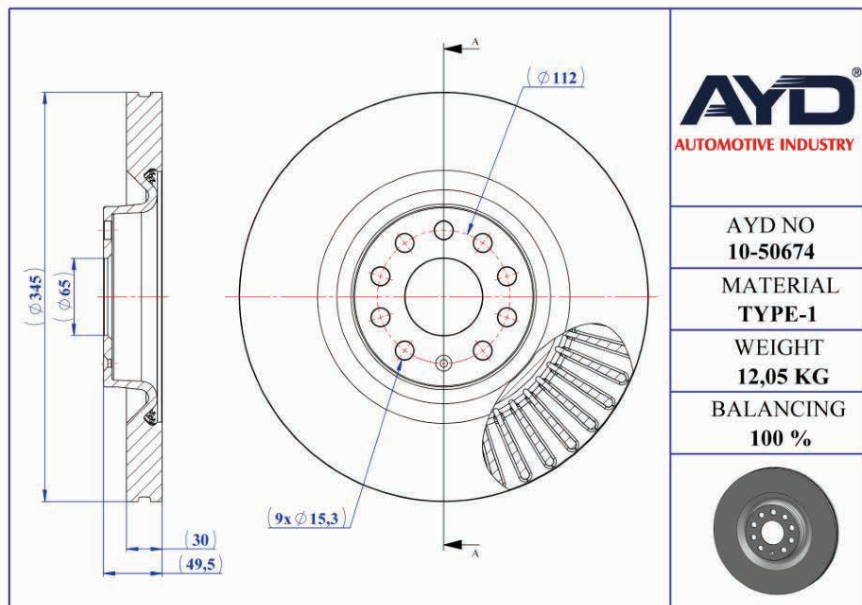
MODEL	START Y.	END Y.
A4 B5 (8D2)	1994/11	2001/12
A4 B5 Avant (8D5)	1994/11	2002/12
A4 B6 (8E2)	2000/11	2005/12
A4 B6 Avant (8E5)	2000/02	2005/12
A4 B7 (8EC)	2004/11	2008/06
A4 B7 Avant (8ED)	2004/11	2008/06



BRAKE DISC

- Front Axle
- Vented

- Safety
- Performance
- OEM Standarts
- AYD Quality



AYD
AUTOMOTIVE INDUSTRY

AYD NO
10-50674

MATERIAL
TYPE-1

WEIGHT
12,05 KG

BALANCING
100 %



OE:
1K0615301AR

10-50674

Technical Specifications:

Diameter (mm)	Height (mm)	Brake Disc Thickness (mm)	Min. Thickness (mm)	Centering Diameter (mm)	Bolt Hole Circle (mm)	Num. of Holes
345	49.5	30	27	65	112	9+1

AUDI

MODEL	START Y.	END Y.
A3 (8P1)	2003/05	2013/12
A3 Sportback (8PA)	2004/09	2015/12

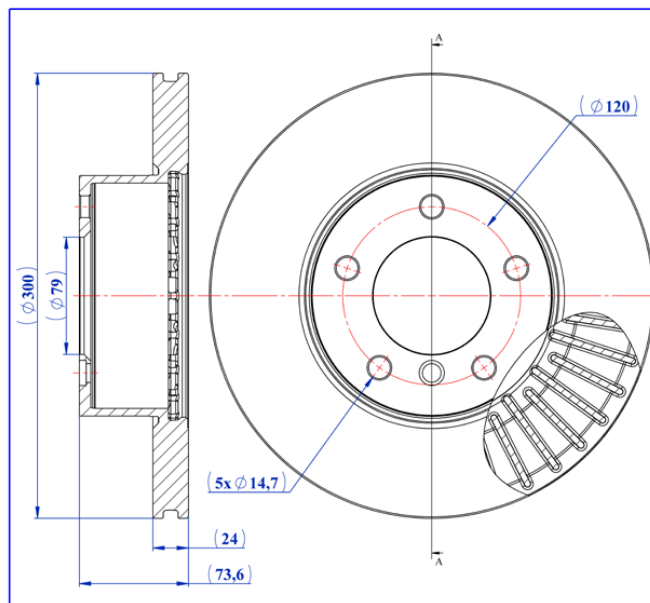
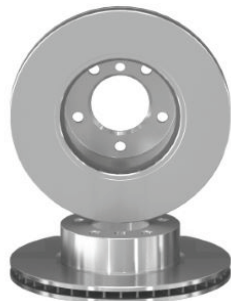


BRAKE DISC

- Front Axle
- Vented

- Safety
- Performance
- OEM Standards
- AYD Quality

OE:
34116854998
34116772669
34116764643



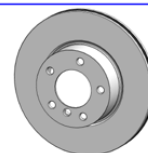
AYD[®]
AUTOMOTIVE INDUSTRY

AYD NO
10-50257

MATERIAL
TYPE-1

WEIGHT
7,88 KG

BALANCING
100 %



10-50257

Technical Specifications:

Diameter (mm)	Height (mm)	Brake Disc Thickness (mm)	Min. Thickness (mm)	Centering Diameter (mm)	Bolt Hole Circle (mm)	Num. of Holes
300	73.6	24	22.4	79	120	5+1

BMW

MODEL	START Y.	END Y.
1 (E81)	2006/09	2012/09
1 (E87)	2003/02	2013/01
1 Cabrio (E88)	2007/12	2013/12
1 Coupe (E82)	2006/10	2013/10
3 (E90)	2004/02	2012/02
3 Cabrio (E93)	2006/05	2013/12
3 Coupe (E92)	2005/01	2013/12
3 Touring (E91)	2004/12	2012/12
Z4 Roadster (E89)	2009/02	2016/08

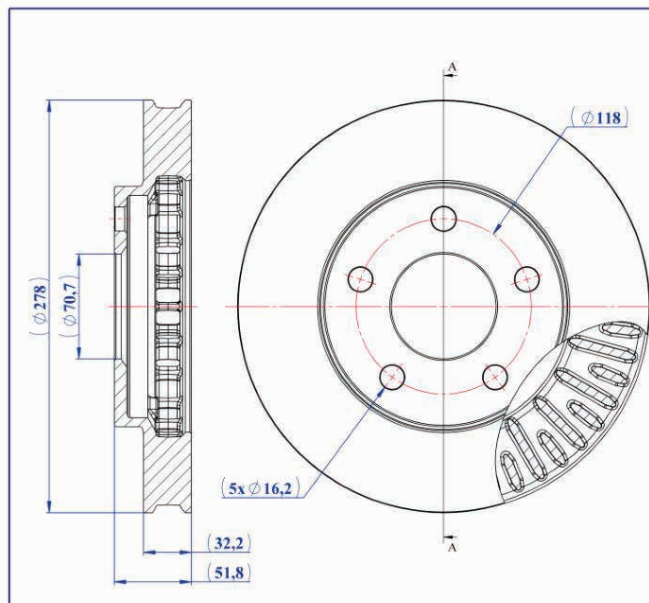


BRAKE DISC

- Front Axle
- Vented

- Safety
- Performance
- OEM Standarts
- AYD Quality

OE:
18021359
18060233
19303831



AYD
AUTOMOTIVE INDUSTRY

AYD NO
10-50687

MATERIAL
TYPE-1

WEIGHT
6,83 KG

BALANCING
100 %



10-50687

Technical Specifications:

Diameter (mm)	Height (mm)	Brake Disc Thickness (mm)	Min. Thickness (mm)	Centering Diameter (mm)	Bolt Hole Circle (mm)	Num. of Holes
278	51.8	32.2	30.7	70.7	118	5

BUICK

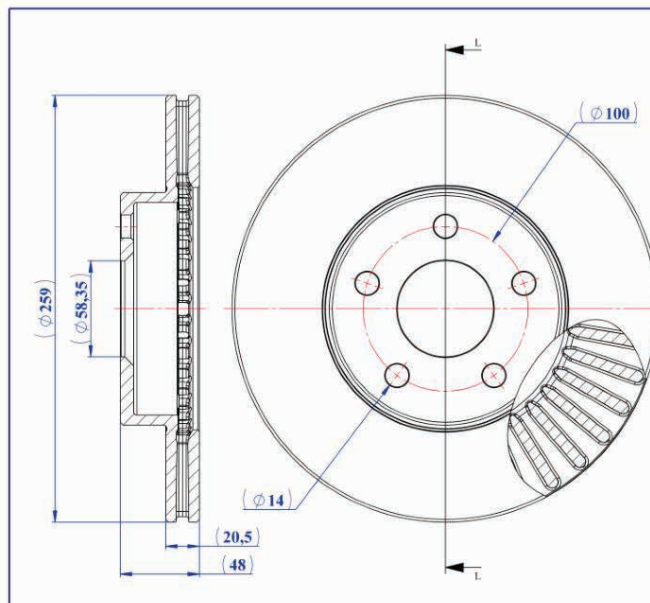
MODEL	START Y.	END Y.
CENTURY Sedan	1996/10	2005/02
LESABRE	1999/01	
REGAL	1988/09	1997/09
REGAL (4WF_)	1997/10	2008/12



BRAKE DISC

- Front Axle
- Vented

- Safety
- Performance
- OEM Standarts
- AYD Quality



AYD[®]
AUTOMOTIVE INDUSTRY

AYD NO
10-50703

MATERIAL
TYPE-1

WEIGHT
5,25 KG

BALANCING
100 %



OE:
18060237

10-50703

Technical Specifications:

Diameter (mm)	Height (mm)	Brake Disc Thickness (mm)	Min. Thickness (mm)	Centering Diameter (mm)	Bolt Hole Circle (mm)	Num. of Holes
259	48	20.5	18.7	58.35	100	5

BUICK

MODEL	START Y.	END Y.
SKYLARK	1991/09	1999/12
SKYLARK Coupe	1991/09	1997/12

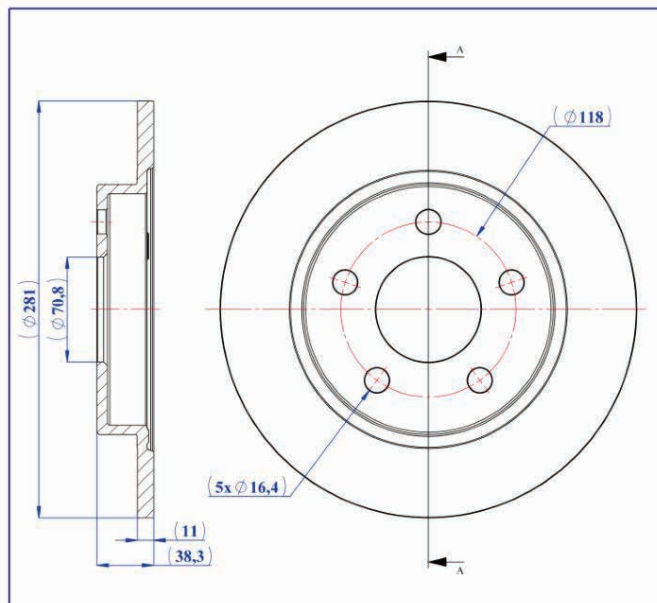


BRAKE DISC

- Rear Axle
- Solid

- Safety
- Performance
- OEM Standarts
- AYD Quality

OE:
18022401
18060236



AYD[®]
AUTOMOTIVE INDUSTRY

AYD NO
10-50746

MATERIAL
TYPE-1

WEIGHT
4,48 KG

BALANCING
100 %



10-50746

Technical Specifications:

Diameter (mm)	Height (mm)	Brake Disc Thickness (mm)	Min. Thickness (mm)	Centering Diameter (mm)	Bolt Hole Circle (mm)	Num. of Holes
281	38.3	11	9	70.8	118	5

BUICK

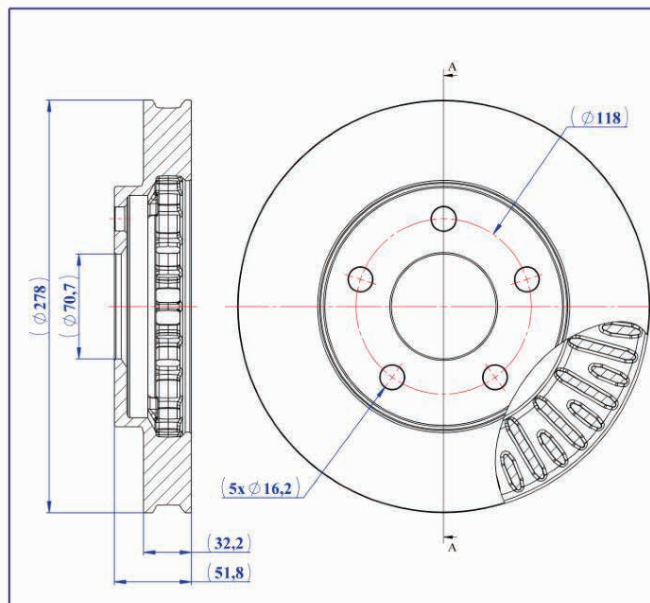
MODEL	START Y.	END Y.
LESABRE	1999/01	
PARK AVENUE	1996/10	2005/12



BRAKE DISC

- Front Axle
- Vented

- Safety
- Performance
- OEM Standarts
- AYD Quality



AYD[®]
AUTOMOTIVE INDUSTRY

AYD NO
10-50687

MATERIAL
TYPE-1

WEIGHT
6,83 KG

BALANCING
100 %



OE:
18060233

10-50687

Technical Specifications:

Diameter (mm)	Height (mm)	Brake Disc Thickness (mm)	Min. Thickness (mm)	Centering Diameter (mm)	Bolt Hole Circle (mm)	Num. of Holes
278	51.8	32.2	30.7	70.7	118	5

CADILLAC

MODEL	START Y.	END Y.
DEVILLE	1999/09	2005/12

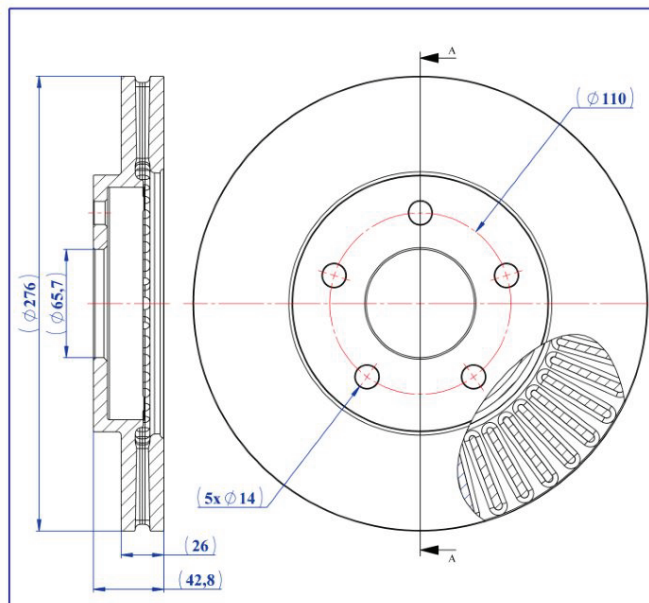


BRAKE DISC

- Front Axle
- Vented

- Safety
- Performance
- OEM Standarts
- AYD Quality

OE:
25958239
22728988
19303814



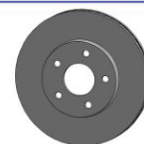
AYD
AUTOMOTIVE INDUSTRY

AYD NO
10-50672

MATERIAL
TYPE-1

WEIGHT
7,20 KG

BALANCING
100 %



10-50672

Technical Specifications:

Diameter (mm)	Height (mm)	Brake Disc Thickness (mm)	Min. Thickness (mm)	Centering Diameter (mm)	Bolt Hole Circle (mm)	Num. of Holes
276	42.8	26	23	65.7	110	5

CHEVROLET

MODEL	START Y.	END Y.
HHR	2005/09	2011/12

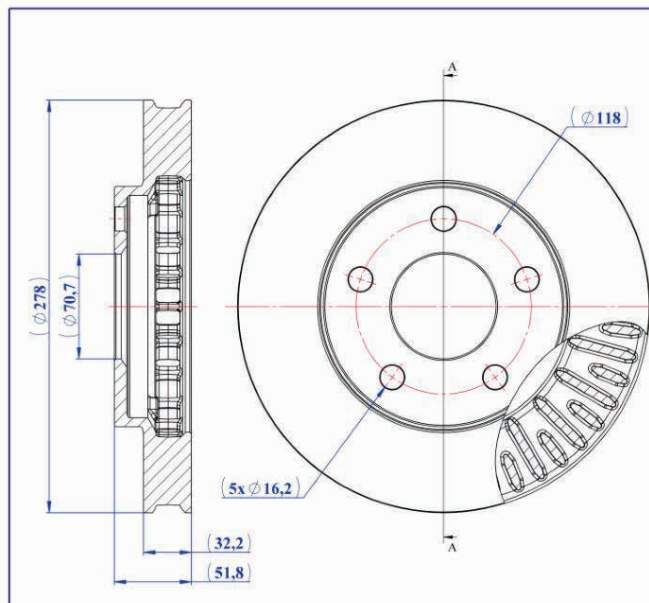


BRAKE DISC

- Front Axle
- Vented

- Safety
- Performance
- OEM Standarts
- AYD Quality

OE:
18021359
18060233



AYD[®]
AUTOMOTIVE INDUSTRY

AYD NO
10-50687

MATERIAL
TYPE-1

WEIGHT
6,83 KG

BALANCING
100 %



10-50687

Technical Specifications:

Diameter (mm)	Height (mm)	Brake Disc Thickness (mm)	Min. Thickness (mm)	Centering Diameter (mm)	Bolt Hole Circle (mm)	Num. of Holes
278	51.8	32.2	30.7	70.7	118	5

CHEVROLET

MODEL	START Y.	END Y.
TRAILBLAZER (KC_)	2001/09	2009/12

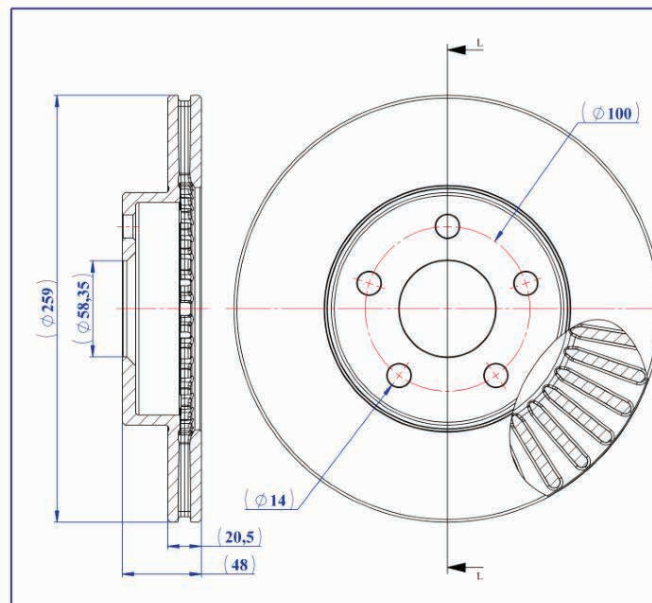


BRAKE DISC

- Front Axle
- Vented

- Safety
- Performance
- OEM Standarts
- AYD Quality

OE:
18060237
18028007
19213926



AYD[®]
AUTOMOTIVE INDUSTRY

AYD NO
10-50703

MATERIAL
TYPE-1

WEIGHT
5,25 KG

BALANCING
100 %



10-50703

Technical Specifications:

Diameter (mm)	Height (mm)	Brake Disc Thickness (mm)	Min. Thickness (mm)	Centering Diameter (mm)	Bolt Hole Circle (mm)	Num. of Holes
259	48	20.5	18.7	58.35	100	5

CHEVROLET

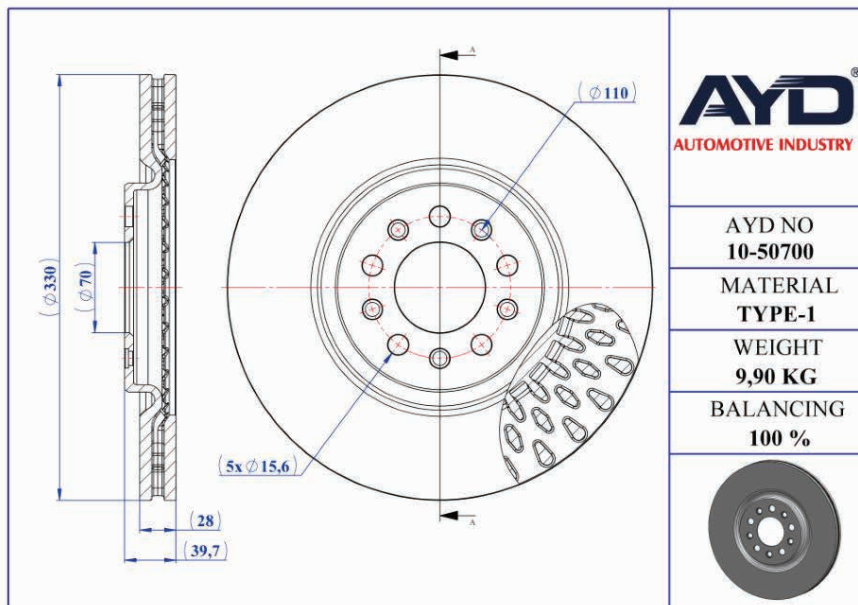
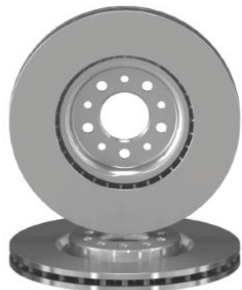
MODEL	START Y.	END Y.
BERETTA Coupe (1_37)	1987/01	1996/12
CAVALIER Cabrio	1994/10	2003/09
CAVALIER Coupe	1994/10	2005/08
CAVALIER Sedan	1994/01	2005/08
CAVALIER Sedan	1991/10	1996/09



BRAKE DISC

- Front Axle
- Vented

- Safety
- Performance
- OEM Standarts
- AYD Quality



AYD
AUTOMOTIVE INDUSTRY

AYD NO
10-50700

MATERIAL
TYPE-1

WEIGHT
9,90 KG

BALANCING
100 %



OE:
4779884AB

10-50700

Technical Specifications:

Diameter (mm)	Height (mm)	Brake Disc Thickness (mm)	Min. Thickness (mm)	Centering Diameter (mm)	Bolt Hole Circle (mm)	Num. of Holes
330	39.7	28	26.4	70	110	5+5

CHRYSLER

MODEL	START Y.	END Y.
200 Sedan	2014/06	

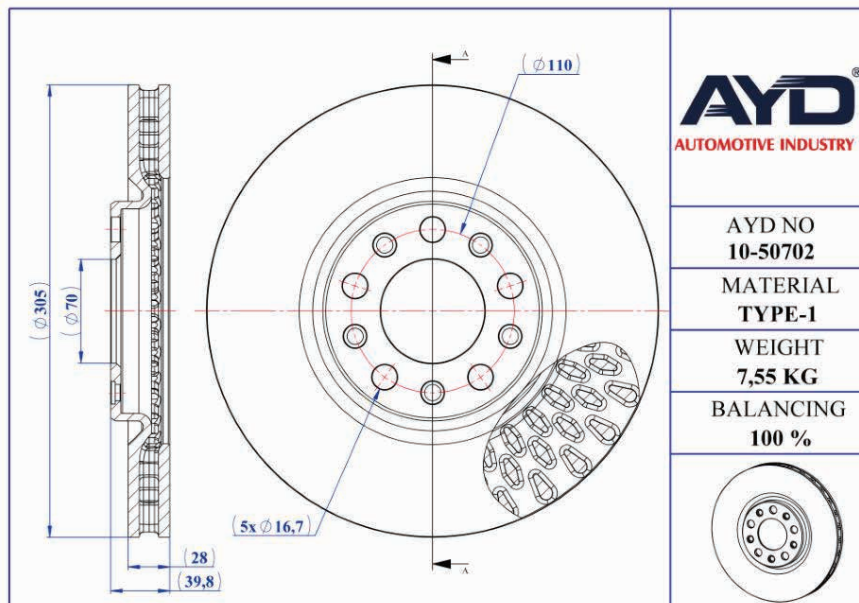


BRAKE DISC

- Front Axle
- Vented

- Safety
- Performance
- OEM Standarts
- AYD Quality

OE:
51767377
51767378
51963548



AYD
AUTOMOTIVE INDUSTRY

AYD NO
10-50702

MATERIAL
TYPE-1

WEIGHT
7,55 KG

BALANCING
100 %



10-50702

Technical Specifications:

Diameter (mm)	Height (mm)	Brake Disc Thickness (mm)	Min. Thickness (mm)	Centering Diameter (mm)	Bolt Hole Circle (mm)	Num. of Holes
305	39.8	28	26	70	110	5+5

CHRYSLER

MODEL	START Y.	END Y.
200 Sedan	2014/06	

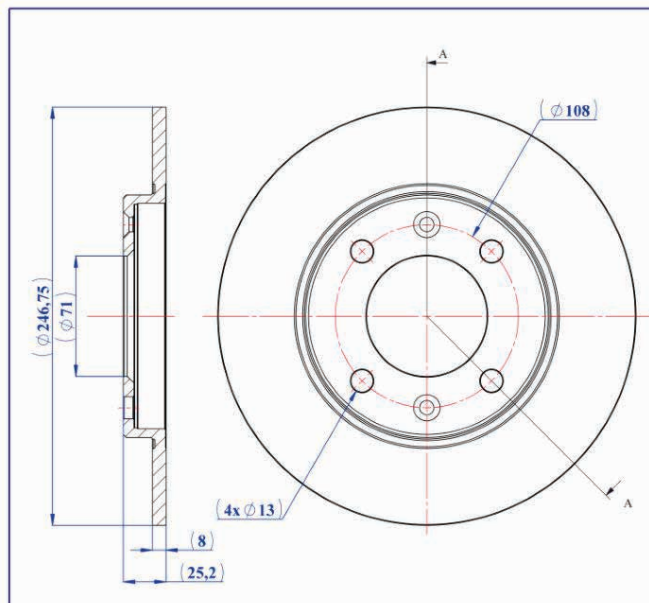
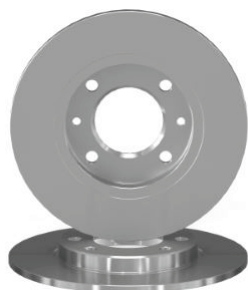


BRAKE DISC

- Rear Axle
- Solid

- Safety
- Performance
- OEM Standarts
- AYD Quality

OE:
E169115
4246G6
4249F5



AYD
AUTOMOTIVE INDUSTRY

AYD NO
10-50223

MATERIAL
TYPE-1

WEIGHT
2,60 KG

BALANCING
100 %



10-50223

Technical Specifications:

Diameter (mm)	Height (mm)	Brake Disc Thickness (mm)	Min. Thickness (mm)	Centering Diameter (mm)	Bolt Hole Circle (mm)	Num. of Holes
246.75	25.2	8	6	71	108	4+2

CITROËN

MODEL	START Y.	END Y.
XSARA Coupe (N0)	1998/01	2005/04
XSARA Van (N3_)	1998/05	2005/03



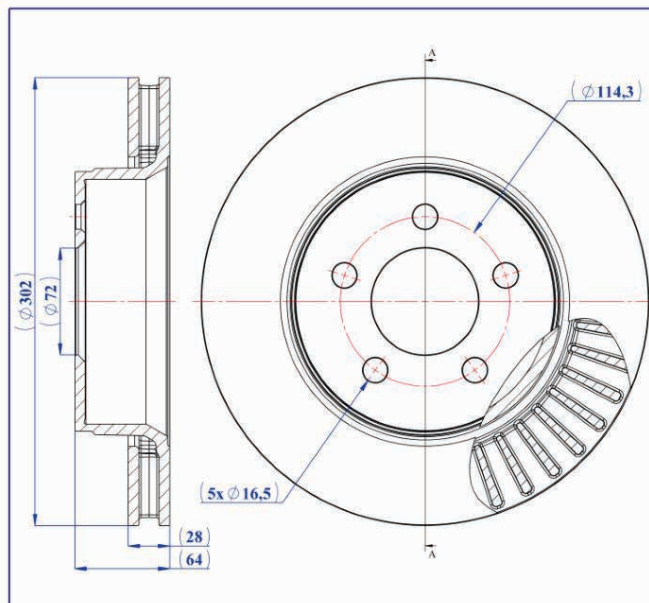
BRAKE DISC

- Front Axle
- Vented

- Safety
- Performance
- OEM Standarts
- AYD Quality

OE:
52109938AB

10-50667



AYD[®]
AUTOMOTIVE INDUSTRY

AYD NO
10-50667

MATERIAL
TYPE-1

WEIGHT
7,98 KG

BALANCING
100 %



Technical Specifications:

Diameter (mm)	Height (mm)	Brake Disc Thickness (mm)	Min. Thickness (mm)	Centering Diameter (mm)	Bolt Hole Circle (mm)	Num. of Holes
302	64	28	26.4	72	114.3	5

DODGE

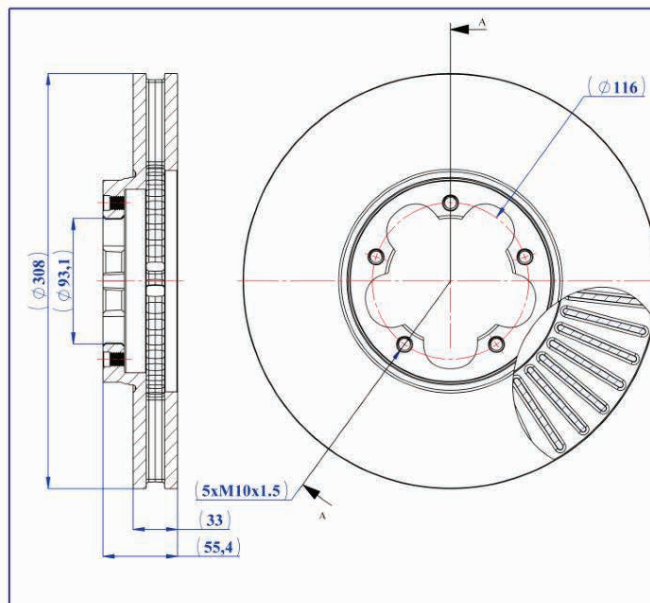
MODEL	START Y.	END Y.
NITRO	2006/09	2012/12



BRAKE DISC

- Front Axle
- Vented

- Safety
- Performance
- OEM Standarts
- AYD Quality



AYD
AUTOMOTIVE INDUSTRY

AYD NO
10-50155

MATERIAL
TYPE-1

WEIGHT
10,18 KG

BALANCING
100 %



OE:
BK211125FA
2168836
BK211125EA

10-50155

Technical Specifications:

Diameter (mm)	Height (mm)	Brake Disc Thickness (mm)	Min. Thickness (mm)	Centering Diameter (mm)	Bolt Hole Circle (mm)	Num. of Holes
308	55.4	33	30	93.1	116	5

FORD

MODEL	START Y.	END Y.
TOURNEO CUSTOM V362 Minibus/Bus (F3)	2012/04	
TRANSIT V363 Minibus/Bus (FAD, FBD)	2013/08	
TRANSIT V363 Panelvan/Van (FCD, FDD)	2013/08	
TRANSIT V363 Platform (FED, FFD)	2013/08	



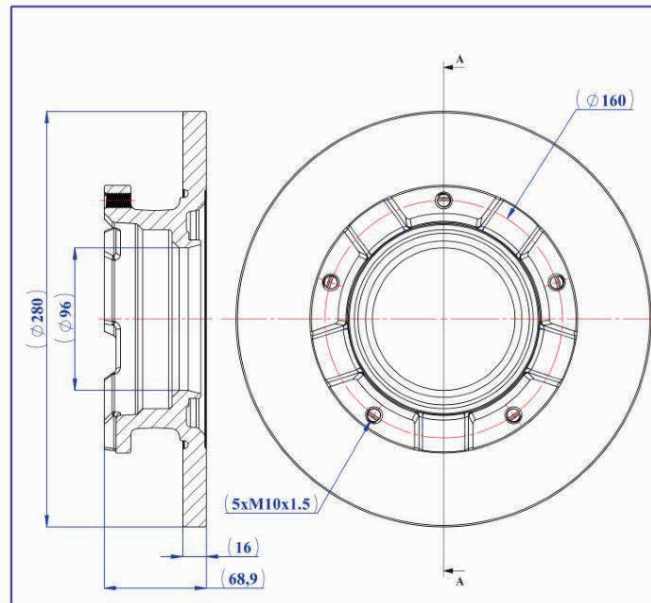
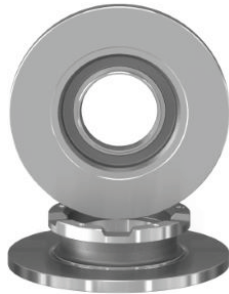
BRAKE DISC

- Rear Axle
- Solid

- Safety
- Performance
- OEM Standarts
- AYD Quality

OE:
1451161
1387152
6C112A097AB

10-50274



AYD
AUTOMOTIVE INDUSTRY

AYD NO
10-50274

MATERIAL
TYPE-1

WEIGHT
8,26 KG

BALANCING
100 %



Technical Specifications:

Diameter (mm)	Height (mm)	Brake Disc Thickness (mm)	Min. Thickness (mm)	Centering Diameter (mm)	Bolt Hole Circle (mm)	Num. of Holes
280	68.9	16	13	96	160	5

FORD

MODEL	START Y.	END Y.
TRANSIT Minibus/Bus (FD__, FB__, FS__, FZ__, FC__)	2006/04	2014/12
TRANSIT Panelvan/Van (FA__)	2006/04	2014/12
TRANSIT Platform (FM__, FN__, FF__)	2006/04	2014/12
TRANSIT TOURNEO Minibus/Bus	2006/07	2014/08



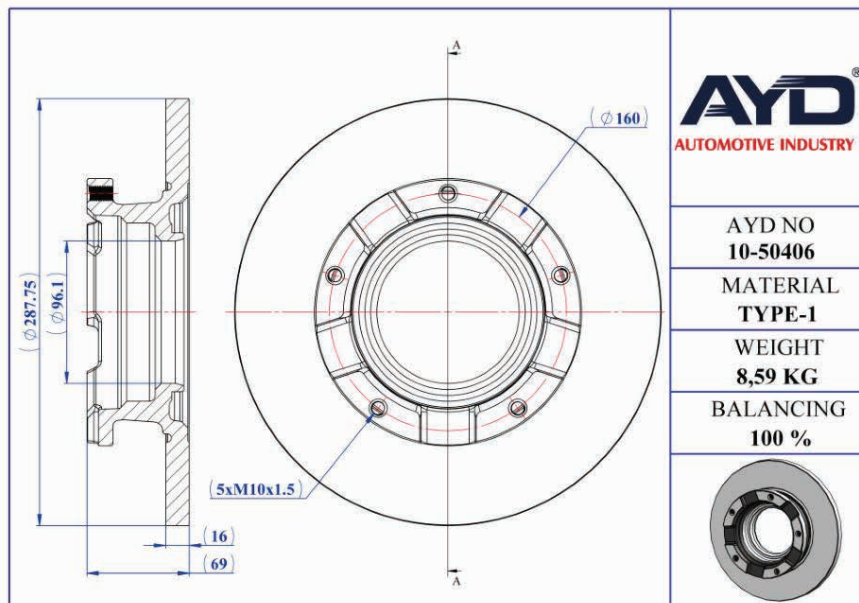
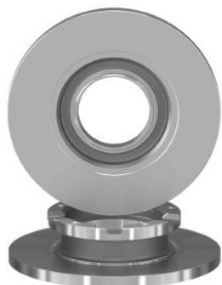
BRAKE DISC

- Rear Axle
- Solid

- Safety
- Performance
- OEM Standards
- AYD Quality

OE:
2013002
1764283
BK212A097BA

10-50406



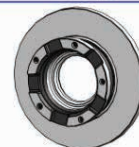
AYD
AUTOMOTIVE INDUSTRY

AYD NO
10-50406

MATERIAL
TYPE-1

WEIGHT
8,59 KG

BALANCING
100 %



Technical Specifications:

Diameter (mm)	Height (mm)	Brake Disc Thickness (mm)	Min. Thickness (mm)	Centering Diameter (mm)	Bolt Hole Circle (mm)	Num. of Holes
287.75	69	16	13	96.1	160	5

FORD

MODEL	START Y.	END Y.
TOURNEO CUSTOM V362 Minibus/Bus (F3)	2012/04	
TRANSIT CUSTOM V362 Minibus/Bus (F3)	2012/04	
TRANSIT CUSTOM V362 Panelvan/Van (FY, FZ)	2012/09	
TRANSIT V363 Minibus/Bus (FAD, FBD)	2013/08	
TRANSIT V363 Panelvan/Van (FCD, FDD)	2013/08	
TRANSIT V363 Platform (FED, FFD)	2013/08	

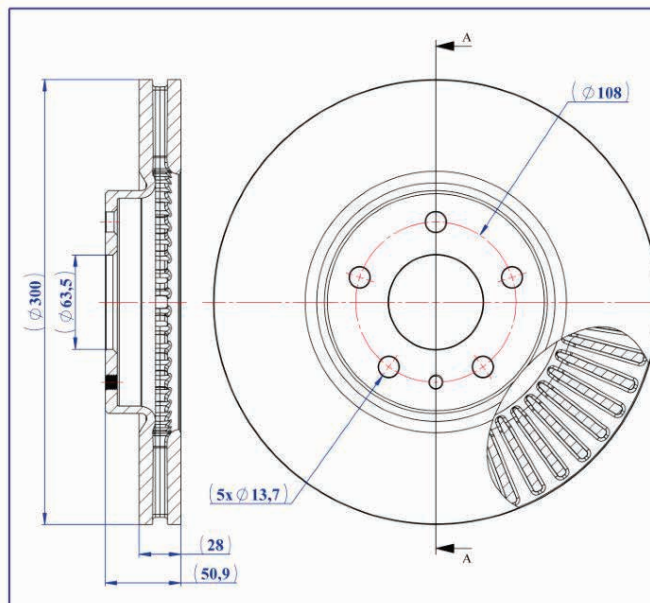


BRAKE DISC

- Front Axle
- Vented

- Safety
- Performance
- OEM Standards
- AYD Quality

OE:
DG9Z1125A
DG9Z1125GA
KS7Z1125A



AYD
AUTOMOTIVE INDUSTRY

AYD NO
10-50693

MATERIAL
TYPE-1

WEIGHT
8,69 KG

BALANCING
100 %



10-50693

Technical Specifications:

Diameter (mm)	Height (mm)	Brake Disc Thickness (mm)	Min. Thickness (mm)	Centering Diameter (mm)	Bolt Hole Circle (mm)	Num. of Holes
300	50.9	28	26	63.5	108	5+1

FORD

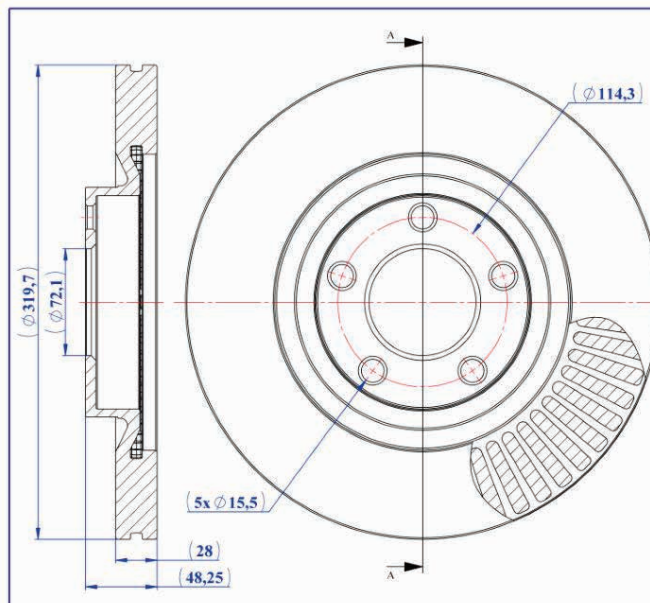
MODEL	START Y.	END Y.
MONDEO V Hatchback (CE)	2014/09	
MONDEO V Sedan (CD)	2012/09	
MONDEO V Turnier (CF)	2014/09	



BRAKE DISC

- Front Axle
- Vented

- Safety
- Performance
- OEM Standarts
- AYD Quality



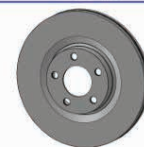
AYD
AUTOMOTIVE INDUSTRY

AYD NO
10-50639

MATERIAL
TYPE-1

WEIGHT
10,41 KG

BALANCING
100 %



OE:
7U2Z1V125ED
7T4Z1125A

10-50639

Technical Specifications:

Diameter (mm)	Height (mm)	Brake Disc Thickness (mm)	Min. Thickness (mm)	Centering Diameter (mm)	Bolt Hole Circle (mm)	Num. of Holes
319.7	48.25	28	26	72.1	114.3	5

FORD USA

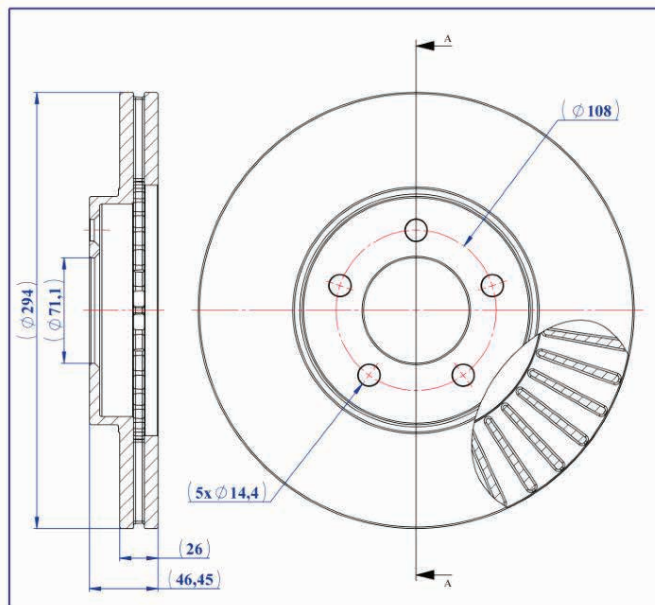
MODEL	START Y.	END Y.
EDGE (U387)	2006/01	



BRAKE DISC

- Front Axle
- Vented

- Safety
- Performance
- OEM Standarts
- AYD Quality



AYD[®]
AUTOMOTIVE INDUSTRY

AYD NO
10-50673

MATERIAL
TYPE-1

WEIGHT
7,96 KG

BALANCING
100 %



OE:
YF1Z1V125F

10-50673

Technical Specifications:

Diameter (mm)	Height (mm)	Brake Disc Thickness (mm)	Min. Thickness (mm)	Centering Diameter (mm)	Bolt Hole Circle (mm)	Num. of Holes
294	46.45	26	24.75	71.1	108	5

FORD USA

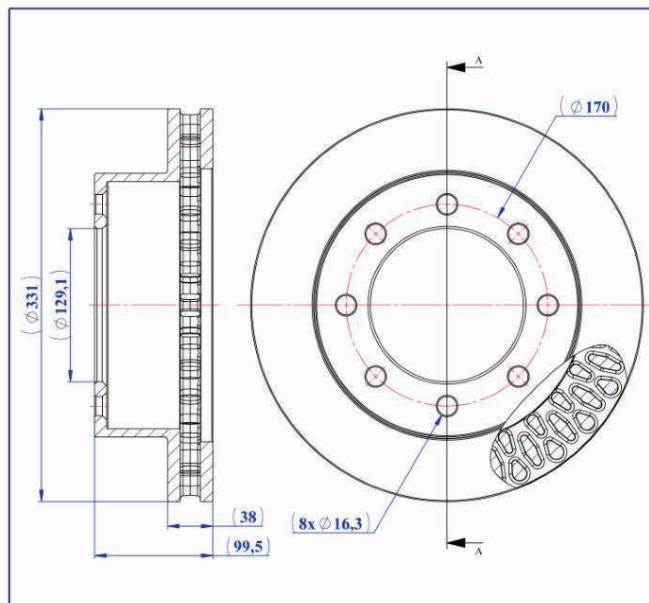
MODEL	START Y.	END Y.
TAURUS Sedan	1999/09	2007/12
TAURUS Station wagon	1999/09	2005/12



BRAKE DISC

- Front Axle
- Vented

- Safety
- Performance
- OEM Standards
- AYD Quality



AYD
AUTOMOTIVE INDUSTRY

AYD NO
10-50691

MATERIAL
TYPE-1

WEIGHT
12,54 KG

BALANCING
100 %



OE:
1C3Z1V125G

10-50691

Technical Specifications:

Diameter (mm)	Height (mm)	Brake Disc Thickness (mm)	Min. Thickness (mm)	Centering Diameter (mm)	Bolt Hole Circle (mm)	Num. of Holes
331	99.5	38	36	129.1	170	8

FORD USA

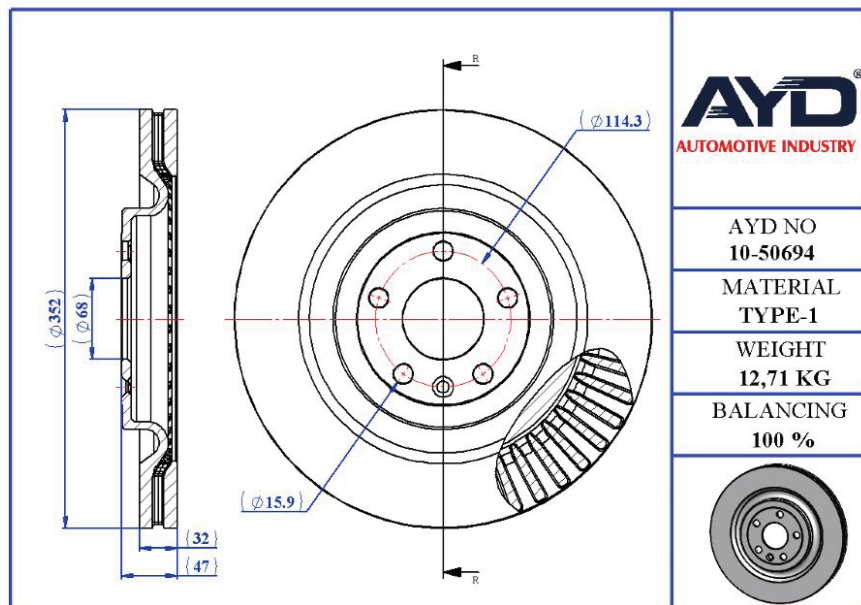
MODEL	START Y.	END Y.
F-250 SUPER DUTY Crew Cab Pickup	1998/09	2007/12
F-250 SUPER DUTY Extended Cab Pickup	1998/09	2007/12
F-250 SUPER DUTY Standard Cab Pickup	1998/09	2007/12
F-350 SUPER DUTY Cab & Chassis	1998/09	
F-350 SUPER DUTY Extended Cab Pickup	1998/09	2007/12
F-350 SUPER DUTY Standard Cab Pickup	1998/09	2007/12



BRAKE DISC

- Front Axle
- Vented

- Safety
- Performance
- OEM Standards
- AYD Quality



OE:
GG1Z1125A

10-50694

Technical Specifications:

Diameter (mm)	Height (mm)	Brake Disc Thickness (mm)	Min. Thickness (mm)	Centering Diameter (mm)	Bolt Hole Circle (mm)	Num. of Holes
352	47	32	30.5	68	114.3	5+1

FORD USA

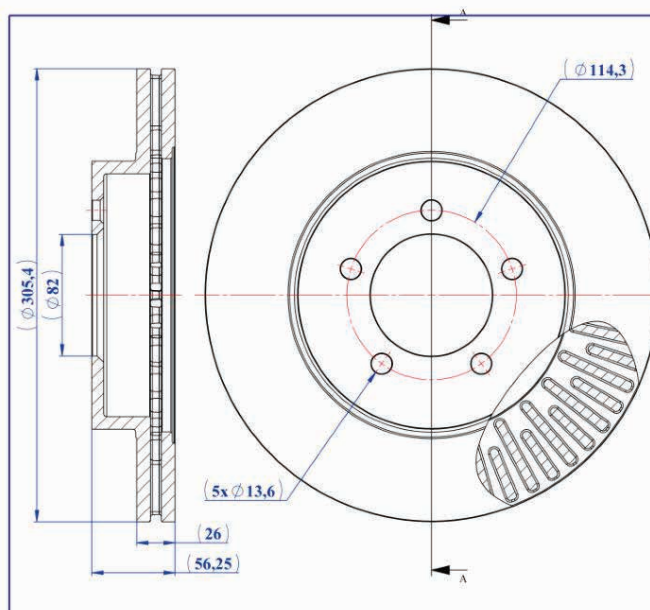
MODEL	START Y.	END Y.
EXPLORER (U5_)	2010/10	
FLEX	2008/09	
TAURUS	2009/09	



BRAKE DISC

- Front Axle
- Vented

- Safety
- Performance
- OEM Standarts
- AYD Quality



AYD
AUTOMOTIVE INDUSTRY

AYD NO
10-50699

MATERIAL
TYPE-1

WEIGHT
9,26 KG

BALANCING
100 %



OE:
2U2Z1V125BB

10-50699

Technical Specifications:

Diameter (mm)	Height (mm)	Brake Disc Thickness (mm)	Min. Thickness (mm)	Centering Diameter (mm)	Bolt Hole Circle (mm)	Num. of Holes
305.4	56.25	26	24.5	82	114.3	5

FORD USA

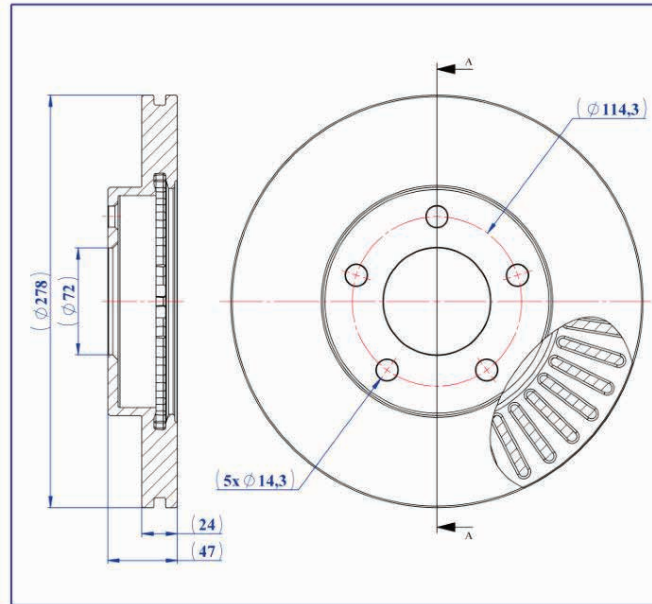
MODEL	START Y.	END Y.
EXPLORER	2001/09	



BRAKE DISC

- Front Axle
- Vented

- Safety
- Performance
- OEM Standards
- AYD Quality



AYD NO
10-50704

MATERIAL
TYPE-1

WEIGHT
6,67 KG

BALANCING
100 %



OE:
2U2Z1V125GB

10-50704

Technical Specifications:

Diameter (mm)	Height (mm)	Brake Disc Thickness (mm)	Min. Thickness (mm)	Centering Diameter (mm)	Bolt Hole Circle (mm)	Num. of Holes
278	47	24	22	72	114.3	5

FORD USA

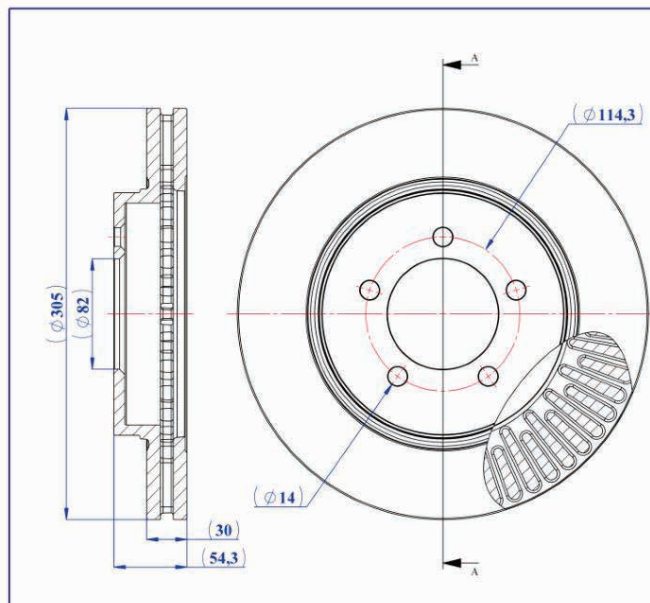
MODEL	START Y.	END Y.
ESCAPE	2001/01	2007/07



BRAKE DISC

- Front Axle
- Vented

- Safety
- Performance
- OEM Standarts
- AYD Quality



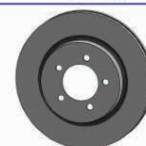
AYD
AUTOMOTIVE INDUSTRY

AYD NO
10-50713

MATERIAL
TYPE-1

WEIGHT
10,21 KG

BALANCING
100 %



OE:
6U2Z1V125CB

10-50713

Technical Specifications:

Diameter (mm)	Height (mm)	Brake Disc Thickness (mm)	Min. Thickness (mm)	Centering Diameter (mm)	Bolt Hole Circle (mm)	Num. of Holes
305	54.3	30	28.5	82	114.3	5

FORD USA

MODEL	START Y.	END Y.
EXPLORER (U251)	2006/01	2010/12
EXPLORER SPORT TRAC Crew Cab Pickup	2006/09	2010/12



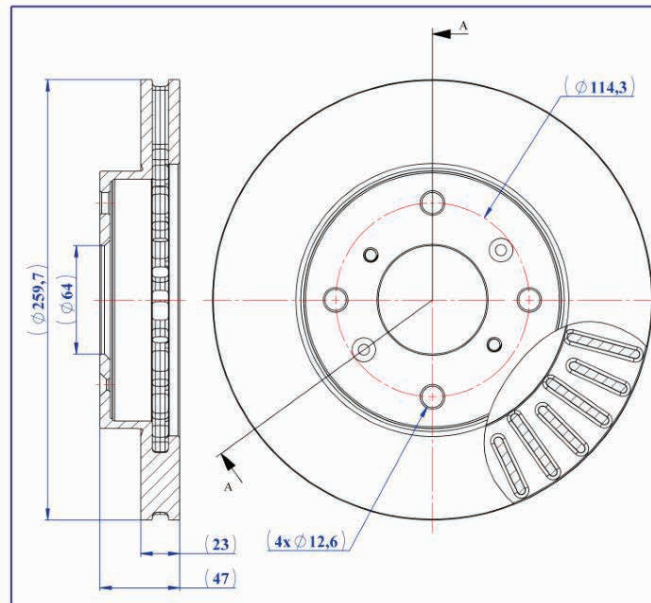
BRAKE DISC

- Front Axle
- Vented

- Safety
- Performance
- OEM Standards
- AYD Quality

OE:
45251S84A01
45251S10000

10-50697



AYD
AUTOMOTIVE INDUSTRY

AYD NO
10-50697

MATERIAL
TYPE-1

WEIGHT
4,81 KG

BALANCING
100 %



Technical Specifications:

Diameter (mm)	Height (mm)	Brake Disc Thickness (mm)	Min. Thickness (mm)	Centering Diameter (mm)	Bolt Hole Circle (mm)	Num. of Holes
259.7	47	23	21	64	114.3	4+4

HONDA

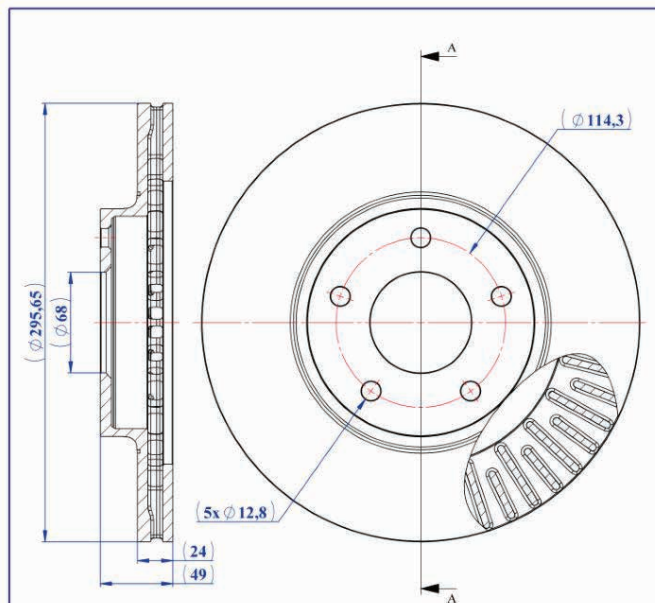
MODEL	START Y.	END Y.
ACCORD VI (CK, CG, CH, CF)	1997/03	2003/12
ACCORD VI Aerodeck (CF)	1997/07	2005/09
ACCORD VI Coupe (CG)	1997/12	2003/06



BRAKE DISC

- Front Axle
- Vented

- Safety
- Performance
- OEM Standarts
- AYD Quality



AYD[®]
AUTOMOTIVE INDUSTRY

AYD NO
10-50668

MATERIAL
TYPE-1

WEIGHT
6,74 KG

BALANCING
100 %



OE:
40206AL501

10-50668

Technical Specifications:

Diameter (mm)	Height (mm)	Brake Disc Thickness (mm)	Min. Thickness (mm)	Centering Diameter (mm)	Bolt Hole Circle (mm)	Num. of Holes
295.65	49	24	22	68	114.3	5

INFINITI

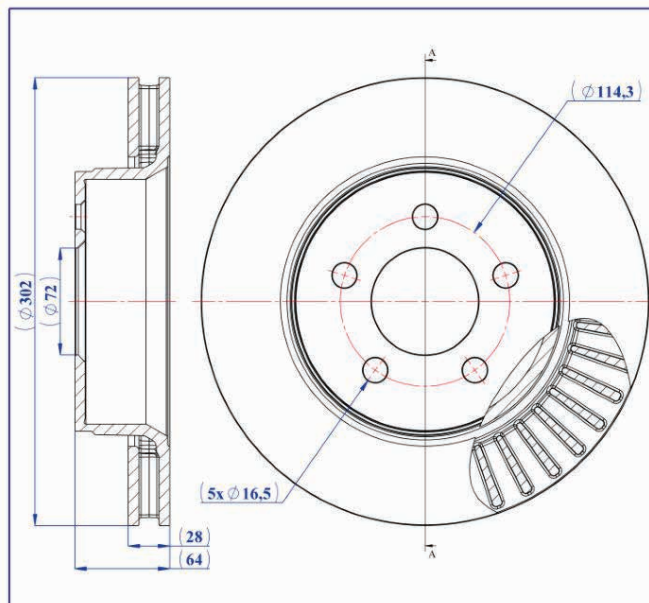
MODEL	START Y.	END Y.
I35 Sedan	1995/09	2004/12



BRAKE DISC

- Front Axle
- Vented

- Safety
- Performance
- OEM Standarts
- AYD Quality



AYD
AUTOMOTIVE INDUSTRY

AYD NO
10-50667

MATERIAL
TYPE-1

WEIGHT
7,98 KG

BALANCING
100 %



OE:
52109938AB

10-50667

Technical Specifications:

Diameter (mm)	Height (mm)	Brake Disc Thickness (mm)	Min. Thickness (mm)	Centering Diameter (mm)	Bolt Hole Circle (mm)	Num. of Holes
302	64	28	26.4	72	114.3	5

JEEP

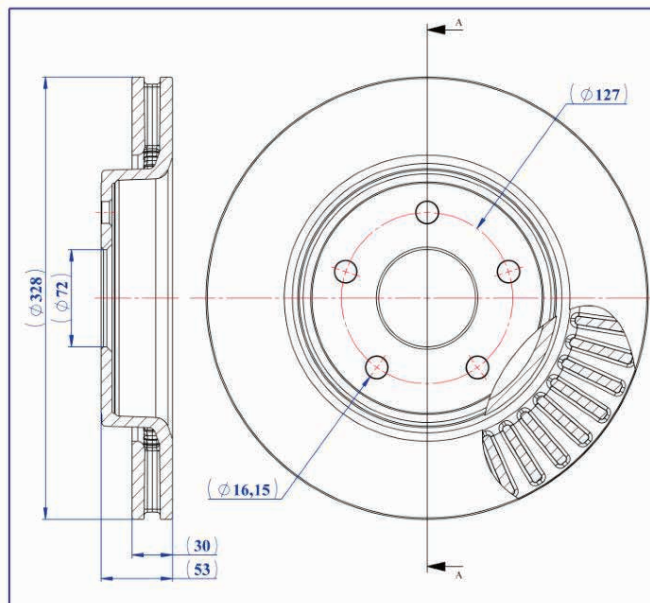
MODEL	START Y.	END Y.
CHEROKEE (KK)	2007/09	
COMPASS (MK49)	2006/08	



BRAKE DISC

- Front Axle
- Vented

- Safety
- Performance
- OEM Standarts
- AYD Quality



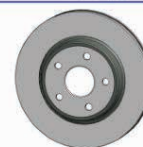
AYD
AUTOMOTIVE INDUSTRY

AYD NO
10-50696

MATERIAL
TYPE-1

WEIGHT
10,85 KG

BALANCING
100 %



OE:
52089269AB

10-50696

Technical Specifications:

Diameter (mm)	Height (mm)	Brake Disc Thickness (mm)	Min. Thickness (mm)	Centering Diameter (mm)	Bolt Hole Circle (mm)	Num. of Holes
328	53	30	28.5	72	127	5

JEEP

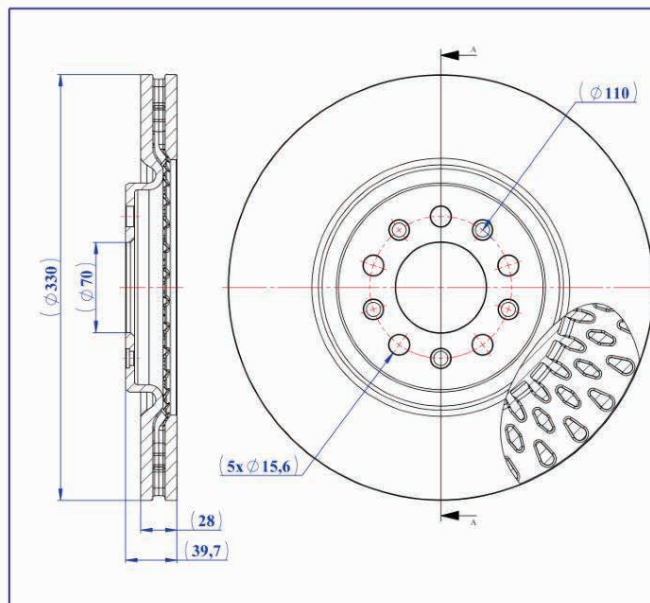
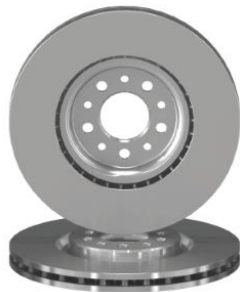
MODEL	START Y.	END Y.
COMMANDER (XK, XH)	2005/09	2010/12
GRAND CHEROKEE III (WH, WK)	2004/10	2011/10



BRAKE DISC

- Front Axle
- Vented

- Safety
- Performance
- OEM Standarts
- AYD Quality



AYD
AUTOMOTIVE INDUSTRY

AYD NO
10-50700

MATERIAL
TYPE-1

WEIGHT
9,90 KG

BALANCING
100 %



OE:
4779884AA
4779884AB
4779884AC

10-50700

Technical Specifications:

Diameter (mm)	Height (mm)	Brake Disc Thickness (mm)	Min. Thickness (mm)	Centering Diameter (mm)	Bolt Hole Circle (mm)	Num. of Holes
330	39.7	28	26.4	70	110	5+5

JEEP

MODEL	START Y.	END Y.
CHEROKEE (KL)	2013/06	



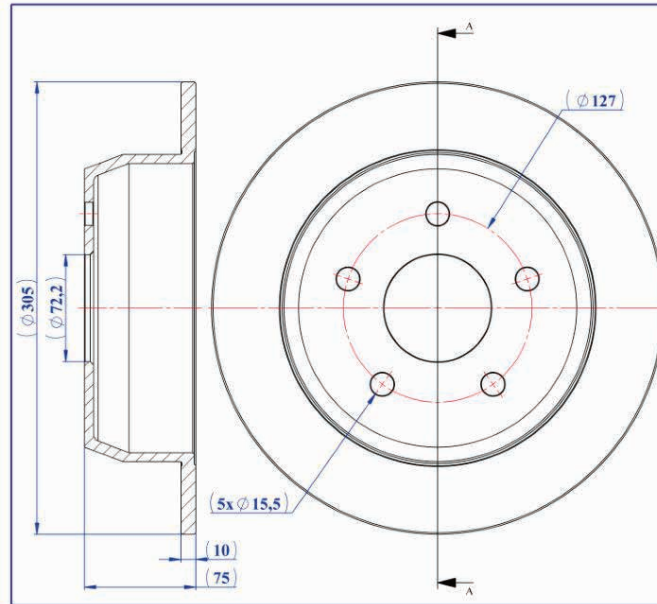
BRAKE DISC

- Rear Axle
- Solid

- Safety
- Performance
- OEM Standarts
- AYD Quality

OE:
52098666
52098666AA

10-50741



AYD[®]
AUTOMOTIVE INDUSTRY

AYD NO
10-50741

MATERIAL
TYPE-1

WEIGHT
5,84 KG

BALANCING
100 %



Technical Specifications:

Diameter (mm)	Height (mm)	Brake Disc Thickness (mm)	Min. Thickness (mm)	Centering Diameter (mm)	Bolt Hole Circle (mm)	Num. of Holes
305	75	10	9.5	72.2	127	5

JEEP

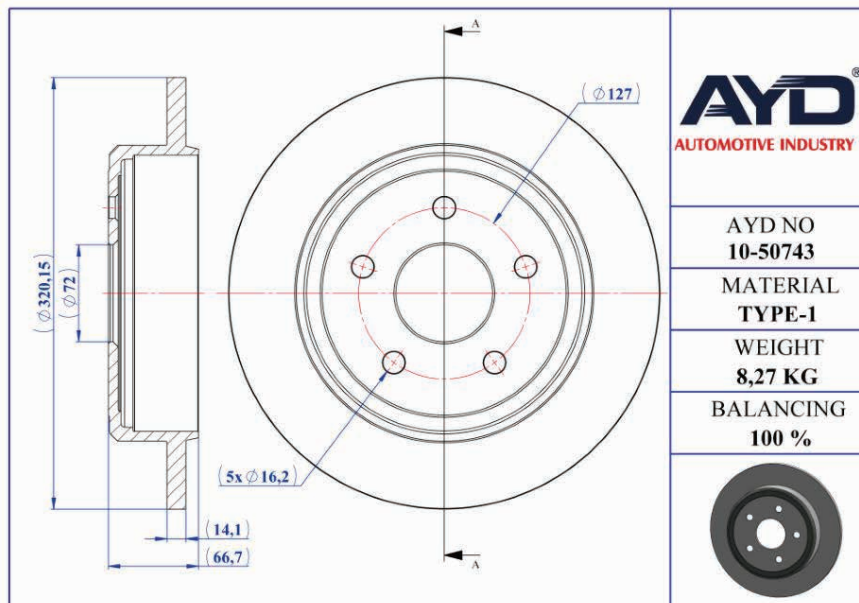
MODEL	START Y.	END Y.
GRAND CHEROKEE II (WJ, WG)	1998/09	2005/09



BRAKE DISC

- Rear Axle
- Solid

- Safety
- Performance
- OEM Standards
- AYD Quality



OE:
52089275AB

10-50743

Technical Specifications:

Diameter (mm)	Height (mm)	Brake Disc Thickness (mm)	Min. Thickness (mm)	Centering Diameter (mm)	Bolt Hole Circle (mm)	Num. of Holes
320.15	66.7	14.1	12.5	72	127	5

JEEP

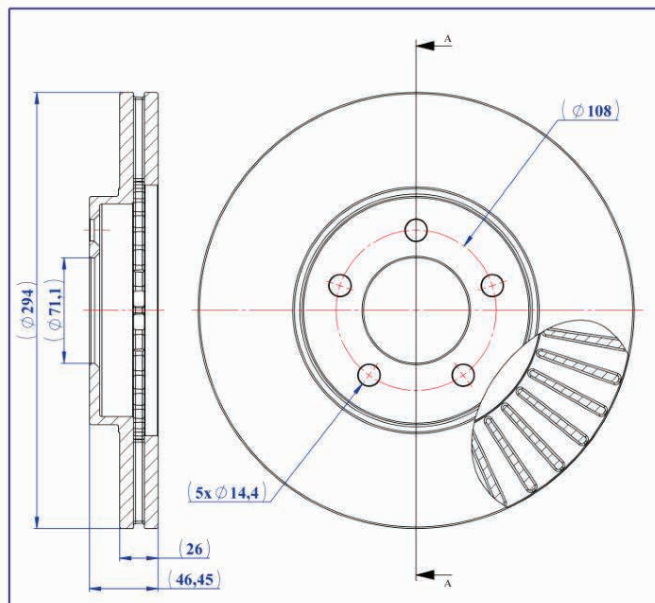
MODEL	START Y.	END Y.
COMMANDER (XK, XH)	2005/09	2010/12
GRAND CHEROKEE III (WH, WK)	2004/10	2011/10



BRAKE DISC

- Front Axle
- Vented

- Safety
- Performance
- OEM Standards
- AYD Quality



AYD[®]
AUTOMOTIVE INDUSTRY

AYD NO
10-50673

MATERIAL
TYPE-1

WEIGHT
7,96 KG

BALANCING
100 %



OE:
YF1Z1V125F

10-50673

Technical Specifications:

Diameter (mm)	Height (mm)	Brake Disc Thickness (mm)	Min. Thickness (mm)	Centering Diameter (mm)	Bolt Hole Circle (mm)	Num. of Holes
294	46.45	26	24.75	71.1	108	5

LINCOLN

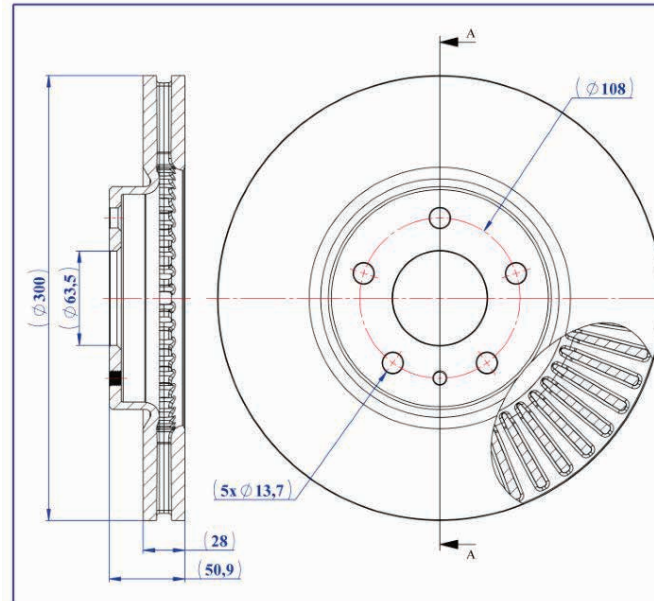
MODEL	START Y.	END Y.
CONTINENTAL	1995/01	2002/12
MARK VIII Coupe	1992/10	1998/12



BRAKE DISC

- Front Axle
- Vented

- Safety
- Performance
- OEM Standarts
- AYD Quality



AYD NO 10-50693
MATERIAL TYPE-1
WEIGHT 8,69 KG
BALANCING 100 %

OE:
DG9Z1125A

10-50693

Technical Specifications:

Diameter (mm)	Height (mm)	Brake Disc Thickness (mm)	Min. Thickness (mm)	Centering Diameter (mm)	Bolt Hole Circle (mm)	Num. of Holes
300	50.9	28	26	63.5	108	5+1

LINCOLN

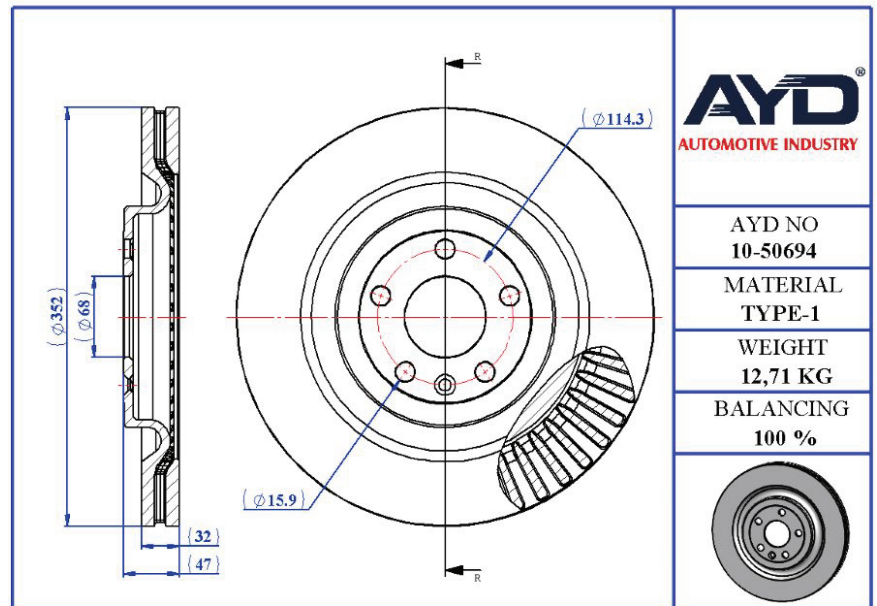
MODEL	START Y.	END Y.
MKZ	2012/09	



BRAKE DISC

- Front Axle
- Vented

- Safety
- Performance
- OEM Standarts
- AYD Quality



AYD[®]
AUTOMOTIVE INDUSTRY

AYD NO
10-50694

MATERIAL
TYPE-1

WEIGHT
12,71 KG

BALANCING
100 %



OE:
GG1Z1125A

10-50694

Technical Specifications:

Diameter (mm)	Height (mm)	Brake Disc Thickness (mm)	Min. Thickness (mm)	Centering Diameter (mm)	Bolt Hole Circle (mm)	Num. of Holes
352	47	32	30.5	68	114.3	5+1

LINCOLN

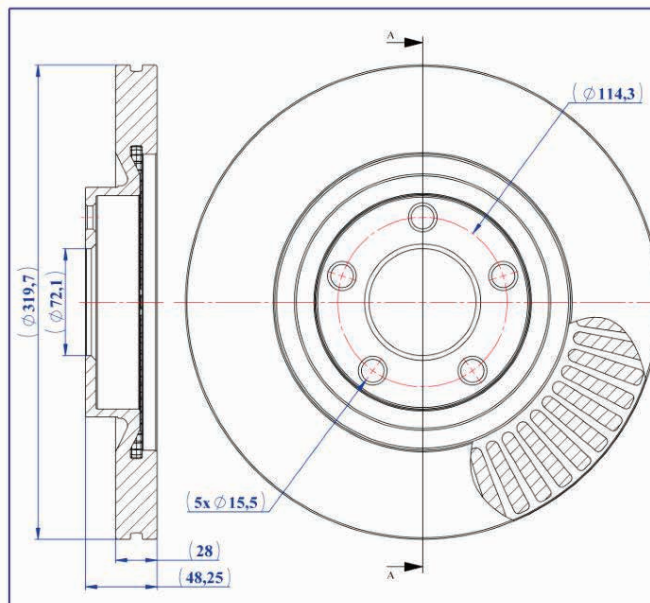
MODEL	START Y.	END Y.
MKS	2008/04	
MKT	2009/09	



BRAKE DISC

- Front Axle
- Vented

- Safety
- Performance
- OEM Standarts
- AYD Quality



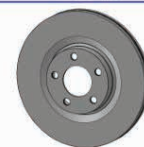
AYD[®]
AUTOMOTIVE INDUSTRY

AYD NO
10-50639

MATERIAL
TYPE-1

WEIGHT
10,41 KG

BALANCING
100 %



OE:
EH14-33-25XA
EH14-33-25X

10-50639

Technical Specifications:

Diameter (mm)	Height (mm)	Brake Disc Thickness (mm)	Min. Thickness (mm)	Centering Diameter (mm)	Bolt Hole Circle (mm)	Num. of Holes
319.7	48.25	28	26	72.1	114.3	5

MAZDA

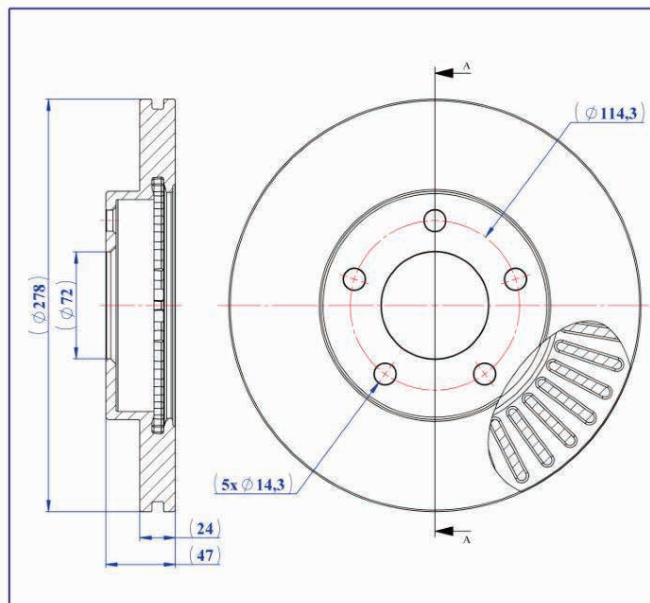
MODEL	START Y.	END Y.
CX-7 (ER)	2006/06	2014/12
CX-9 (TB)	2006/09	



BRAKE DISC

- Front Axle
- Vented

- Safety
- Performance
- OEM Standarts
- AYD Quality



AYD
AUTOMOTIVE INDUSTRY

AYD NO
10-50704

MATERIAL
TYPE-1

WEIGHT
6,67 KG

BALANCING
100 %



OE:
4360107

10-50704

Technical Specifications:

Diameter (mm)	Height (mm)	Brake Disc Thickness (mm)	Min. Thickness (mm)	Centering Diameter (mm)	Bolt Hole Circle (mm)	Num. of Holes
278	47	24	22	72	114.3	5

MAZDA

MODEL	START Y.	END Y.
TRIBUTE (EP)	2000/03	2008/05

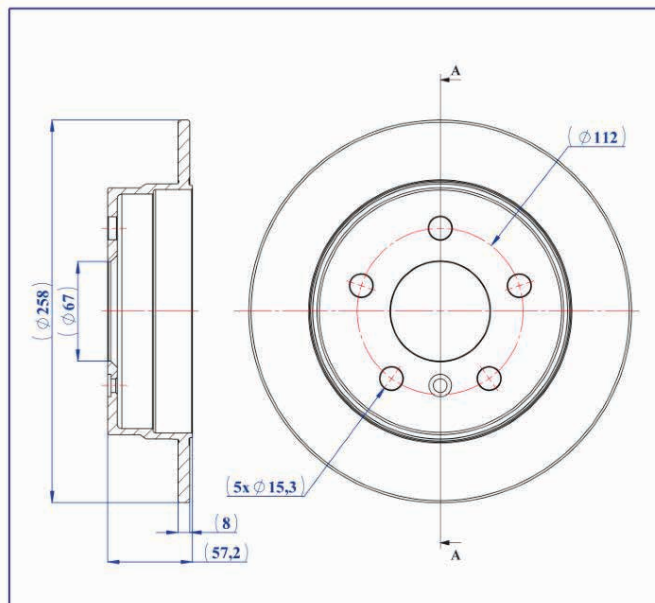


BRAKE DISC

- Rear Axle
- Solid

- Safety
- Performance
- OEM Standarts
- AYD Quality

OE:
A1694230912
1694230912
1694230312



AYD[®]
AUTOMOTIVE INDUSTRY

AYD NO
10-50266

MATERIAL
TYPE-1

WEIGHT
3,30 KG

BALANCING
100 %



10-50266

Technical Specifications:

Diameter (mm)	Height (mm)	Brake Disc Thickness (mm)	Min. Thickness (mm)	Centering Diameter (mm)	Bolt Hole Circle (mm)	Num. of Holes
258	57.2	8	7	67	112	5+1

MERCEDES-BENZ

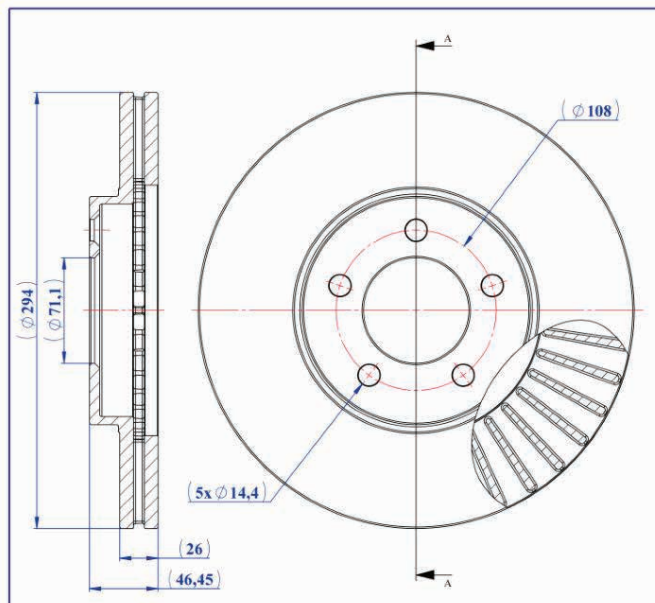
MODEL	START Y.	END Y.
A-SERISI (W169)	2004/04	2012/06
B-SERISI Sports Tourer (W245)	2005/03	2011/11



BRAKE DISC

- Front Axle
- Vented

- Safety
- Performance
- OEM Standarts
- AYD Quality



AYD
AUTOMOTIVE INDUSTRY

AYD NO
10-50673

MATERIAL
TYPE-1

WEIGHT
7,96 KG

BALANCING
100 %



OE:
YF1Z1V125F

10-50673

Technical Specifications:

Diameter (mm)	Height (mm)	Brake Disc Thickness (mm)	Min. Thickness (mm)	Centering Diameter (mm)	Bolt Hole Circle (mm)	Num. of Holes
294	46.45	26	24.75	71.1	108	5

MERCURY

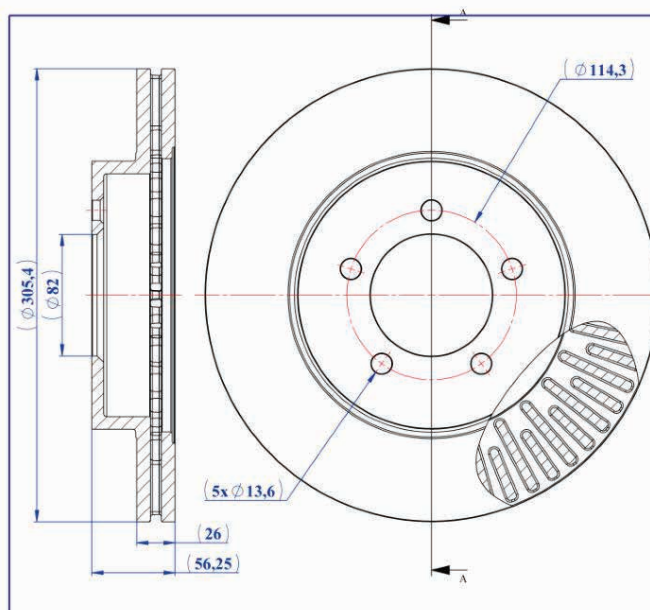
MODEL	START Y.	END Y.
SABLE	1999/07	2005/09



BRAKE DISC

- Front Axle
- Vented

- Safety
- Performance
- OEM Standarts
- AYD Quality



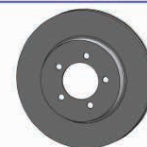
AYD
AUTOMOTIVE INDUSTRY

AYD NO
10-50699

MATERIAL
TYPE-1

WEIGHT
9,26 KG

BALANCING
100 %



OE:
2U2Z1V125BB

10-50699

Technical Specifications:

Diameter (mm)	Height (mm)	Brake Disc Thickness (mm)	Min. Thickness (mm)	Centering Diameter (mm)	Bolt Hole Circle (mm)	Num. of Holes
305.4	56.25	26	24.5	82	114.3	5

MERCURY

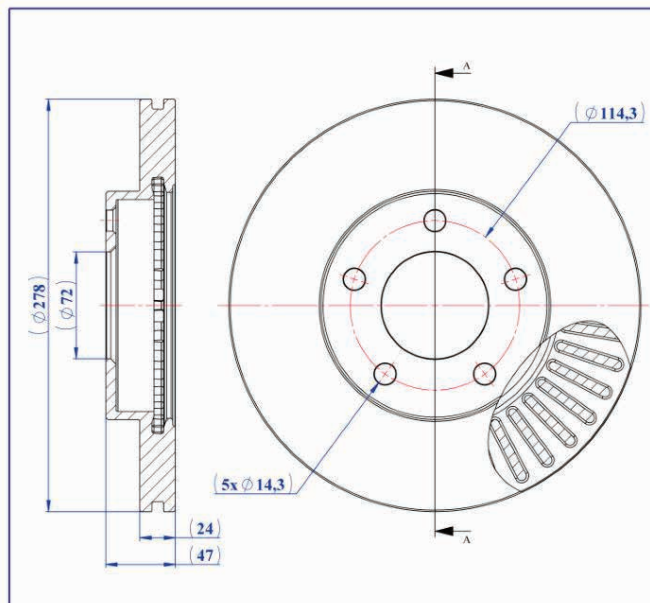
MODEL	START Y.	END Y.
MOUNTAINEER	2000/10	2005/12



BRAKE DISC

- Front Axle
- Vented

- Safety
- Performance
- OEM Standarts
- AYD Quality



AYD NO
10-50704

MATERIAL
TYPE-1

WEIGHT
6,67 KG

BALANCING
100 %



OE:
3L8Z1125CA

10-50704

Technical Specifications:

Diameter (mm)	Height (mm)	Brake Disc Thickness (mm)	Min. Thickness (mm)	Centering Diameter (mm)	Bolt Hole Circle (mm)	Num. of Holes
278	47	24	22	72	114.3	5

MERCURY

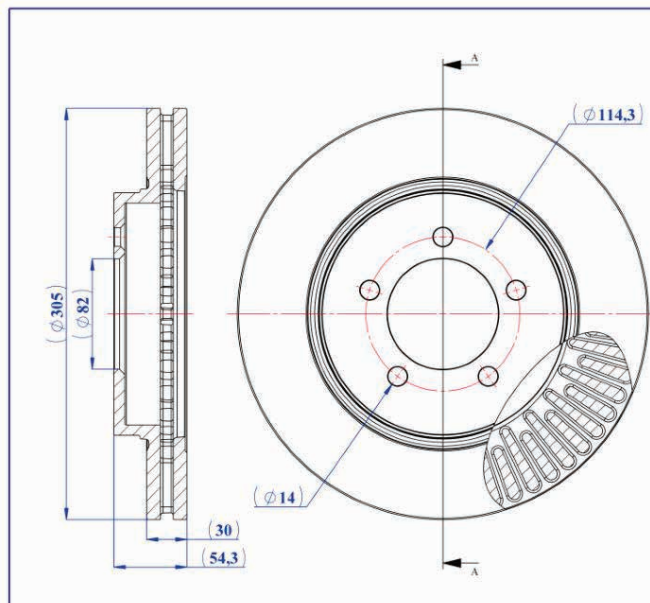
MODEL	START Y.	END Y.
MARINER	2004/05	2007/12



BRAKE DISC

- Front Axle
- Vented

- Safety
- Performance
- OEM Standarts
- AYD Quality



AYD
AUTOMOTIVE INDUSTRY

AYD NO
10-50713

MATERIAL
TYPE-1

WEIGHT
10,21 KG

BALANCING
100 %



OE:
6U2Z1V125CB

10-50713

Technical Specifications:

Diameter (mm)	Height (mm)	Brake Disc Thickness (mm)	Min. Thickness (mm)	Centering Diameter (mm)	Bolt Hole Circle (mm)	Num. of Holes
305	54.3	30	28.5	82	114.3	5

MERCURY

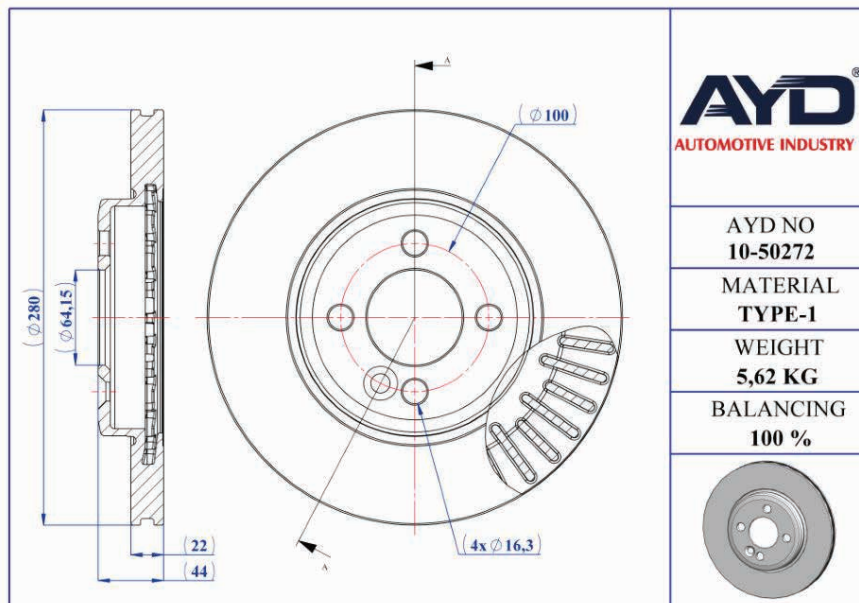
MODEL	START Y.	END Y.
MOUNTAINEER	2005/09	2010/12



BRAKE DISC

- Front Axle
- Vented

- Safety
- Performance
- OEM Standarts
- AYD Quality



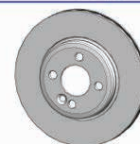
AYD
AUTOMOTIVE INDUSTRY

AYD NO
10-50272

MATERIAL
TYPE-1

WEIGHT
5,62 KG

BALANCING
100 %



OE:
34116774985
34116858651

10-50272

Technical Specifications:

Diameter (mm)	Height (mm)	Brake Disc Thickness (mm)	Min. Thickness (mm)	Centering Diameter (mm)	Bolt Hole Circle (mm)	Num. of Holes
280	44	22	20.4	64.15	100	4+1

MINI

MODEL	START Y.	END Y.
MINI (R56)	2005/11	2014/01
MINI Cabrio (R57)	2007/10	2015/06
MINI CLUBMAN (R55)	2006/10	2015/12
MINI CLUBVAN (R55)	2012/12	2014/06
MINI Coupe (R58)	2010/12	2015/05
MINI Roadster (R59)	2011/01	2015/04

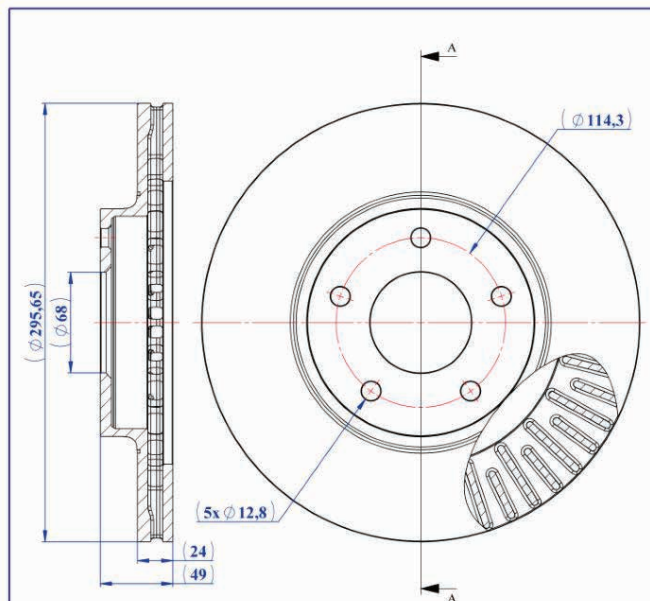


BRAKE DISC

- Front Axle
- Vented

- Safety
- Performance
- OEM Standarts
- AYD Quality

OE:
402063Z700
402063Z600
40206AL501



AYD[®]
AUTOMOTIVE INDUSTRY

AYD NO
10-50668

MATERIAL
TYPE-1

WEIGHT
6,74 KG

BALANCING
100 %



10-50668

Technical Specifications:

Diameter (mm)	Height (mm)	Brake Disc Thickness (mm)	Min. Thickness (mm)	Centering Diameter (mm)	Bolt Hole Circle (mm)	Num. of Holes
295.65	49	24	22	68	114.3	5

NISSAN

MODEL	START Y.	END Y.
ALTIMA (L31)	2001/08	2007/04



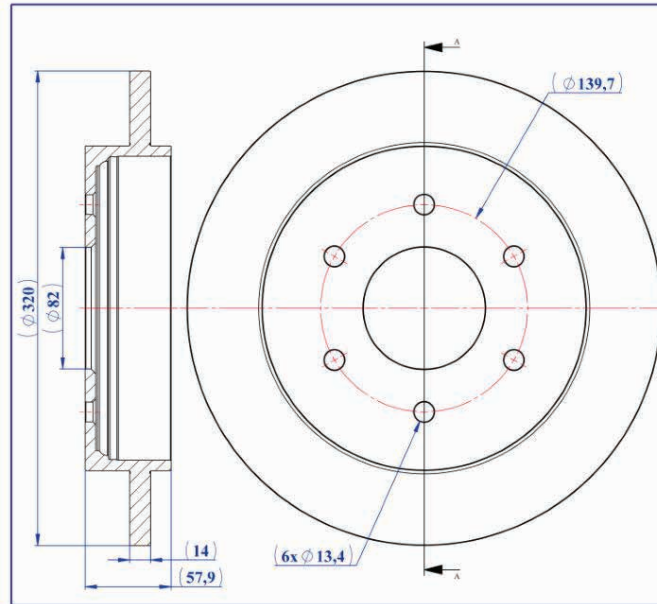
BRAKE DISC

- Rear Axle
- Solid

- Safety
- Performance
- OEM Standarts
- AYD Quality

OE:
432069FF0C
432067S000

10-50744



AYD[®]
AUTOMOTIVE INDUSTRY

AYD NO
10-50744

MATERIAL
TYPE-1

WEIGHT
7,85 KG

BALANCING
100 %



Technical Specifications:

Diameter (mm)	Height (mm)	Brake Disc Thickness (mm)	Min. Thickness (mm)	Centering Diameter (mm)	Bolt Hole Circle (mm)	Num. of Holes
320	57.9	14	12	82	139.7	6

NISSAN

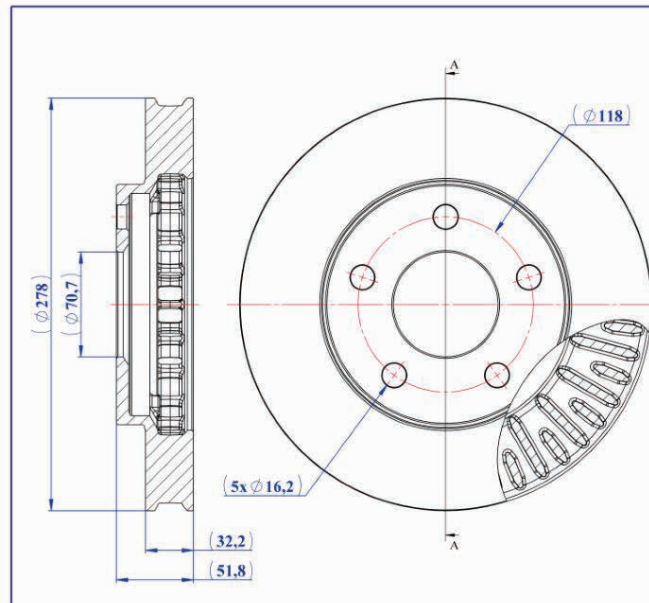
MODEL	START Y.	END Y.
ARMADA (TA60)	2003/08	2015/12
TITAN (A60)	2003/10	



BRAKE DISC

- Front Axle
- Vented

- Safety
- Performance
- OEM Standarts
- AYD Quality



AYD NO
10-50687

MATERIAL
TYPE-1

WEIGHT
6,83 KG

BALANCING
100 %



OE:
18021359
18060233

10-50687

Technical Specifications:

Diameter (mm)	Height (mm)	Brake Disc Thickness (mm)	Min. Thickness (mm)	Centering Diameter (mm)	Bolt Hole Circle (mm)	Num. of Holes
278	51.8	32.2	30.7	70.7	118	5

OLDSMOBILE

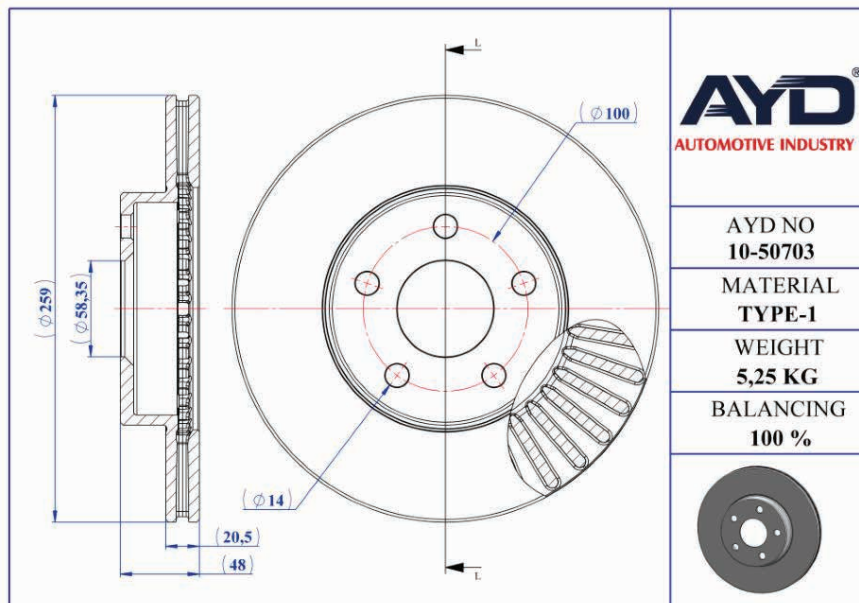
MODEL	START Y.	END Y.
INTRIGUE Sedan	1997/09	2002/12



BRAKE DISC

- Front Axle
- Vented

- Safety
- Performance
- OEM Standarts
- AYD Quality



OE:
18060237

10-50703

Technical Specifications:

Diameter (mm)	Height (mm)	Brake Disc Thickness (mm)	Min. Thickness (mm)	Centering Diameter (mm)	Bolt Hole Circle (mm)	Num. of Holes
259	48	20.5	18.7	58.35	100	5

OLDSMOBILE

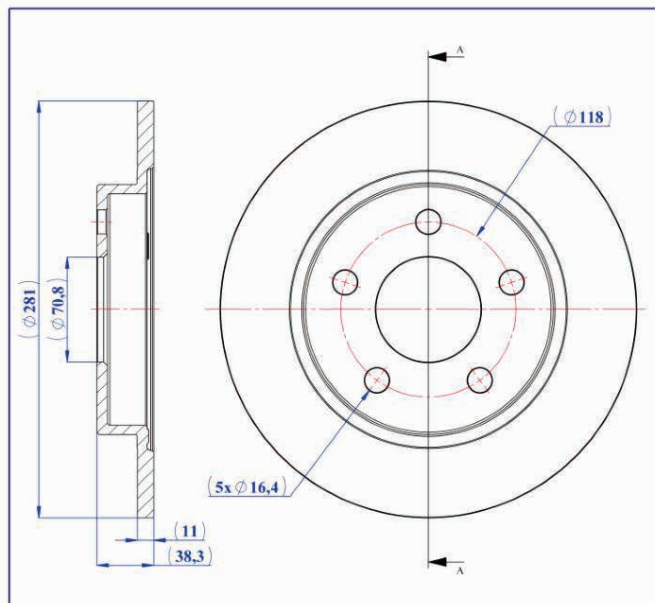
MODEL	START Y.	END Y.
ACHIEVA Coupe	1991/09	1997/12
ACHIEVA Sedan	1991/09	1998/12



BRAKE DISC

- Rear Axle
- Solid

- Safety
- Performance
- OEM Standarts
- AYD Quality



AYD NO
10-50746

MATERIAL
TYPE-1

WEIGHT
4,48 KG

BALANCING
100 %



OE:
18060236

10-50746

Technical Specifications:

Diameter (mm)	Height (mm)	Brake Disc Thickness (mm)	Min. Thickness (mm)	Centering Diameter (mm)	Bolt Hole Circle (mm)	Num. of Holes
281	38.3	11	9	70.8	118	5

OLDSMOBILE

MODEL	START Y.	END Y.
AURORA Sedan	2000/09	2003/12

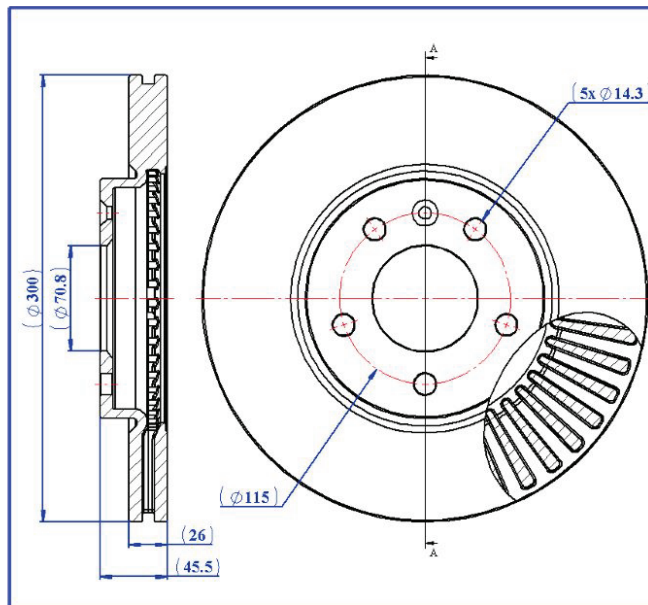


BRAKE DISC

- Front Axle
- Vented

- Safety
- Performance
- OEM Standards
- AYD Quality

OE:
13502052
13502051
569076



AYD[®]
AUTOMOTIVE INDUSTRY

AYD NO
10-50251

MATERIAL
TYPE-1

WEIGHT
8,67 KG

BALANCING
100 %



10-50251

Technical Specifications:

Diameter (mm)	Height (mm)	Brake Disc Thickness (mm)	Min. Thickness (mm)	Centering Diameter (mm)	Bolt Hole Circle (mm)	Num. of Holes
300	45.5	26	23	70.8	115	5+1

OPEL

MODEL	START Y.	END Y.
ASTRA J (P10)	2009/09	2015/10
ASTRA J Combi van (P10)	2009/09	2015/10
ASTRA J Sedan	2012/06	
ASTRA J Sports Tourer (P10)	2010/10	2015/10
ASTRA J Van (P10)	2009/09	2015/10
MOKKA / MOKKA X (J13)	2012/06	
ZAFIRA TOURER C (P12)	2011/10	



BRAKE DISC

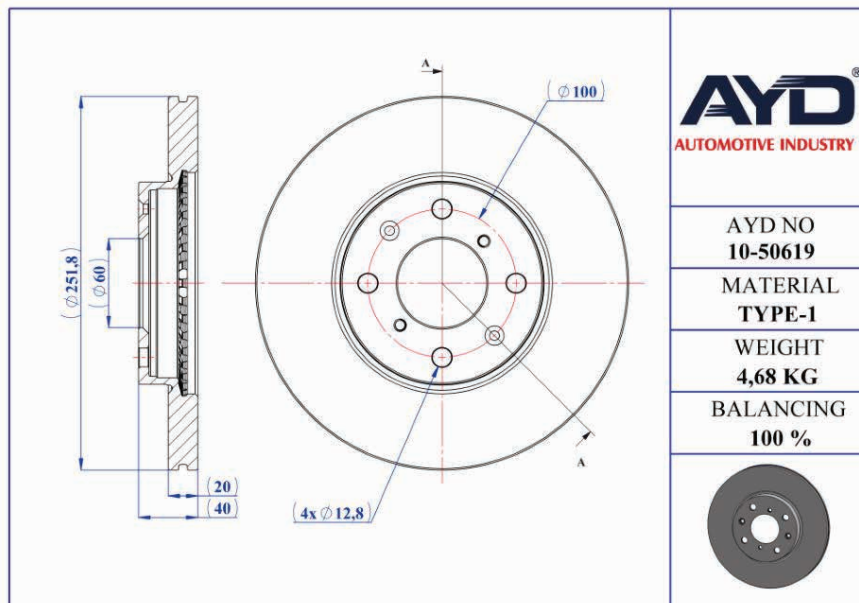
- Front Axle
- Vented

- Safety
- Performance
- OEM Standarts
- AYD Quality



OE:
4702841
93194988
95513700

10-50619



AYD
AUTOMOTIVE INDUSTRY

AYD NO
10-50619

MATERIAL
TYPE-1

WEIGHT
4,68 KG

BALANCING
100 %



Technical Specifications:

Diameter (mm)	Height (mm)	Brake Disc Thickness (mm)	Min. Thickness (mm)	Centering Diameter (mm)	Bolt Hole Circle (mm)	Num. of Holes
251.8	40	20	18	60	100	4+4

OPEL

MODEL	START Y.	END Y.
AGILA (B) (H08)	2008/04	2014/10

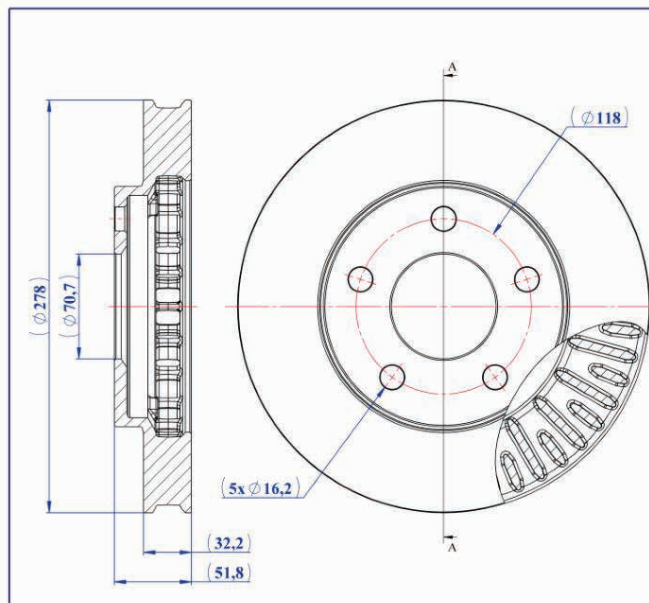


BRAKE DISC

- Front Axle
- Vented

- Safety
- Performance
- OEM Standarts
- AYD Quality

OE:
18021359
18060233
569 057



AYD[®]
AUTOMOTIVE INDUSTRY

AYD NO
10-50687

MATERIAL
TYPE-1

WEIGHT
6,83 KG

BALANCING
100 %



10-50687

Technical Specifications:

Diameter (mm)	Height (mm)	Brake Disc Thickness (mm)	Min. Thickness (mm)	Centering Diameter (mm)	Bolt Hole Circle (mm)	Num. of Holes
278	51.8	32.2	30.7	70.7	118	5

OPEL

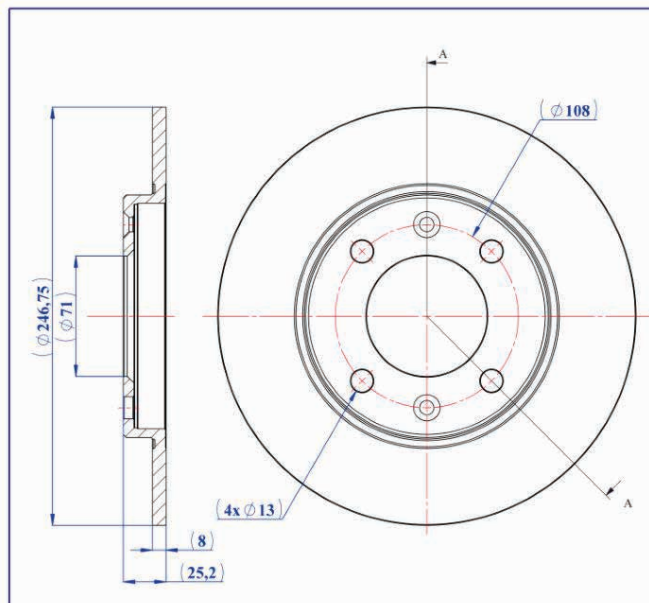
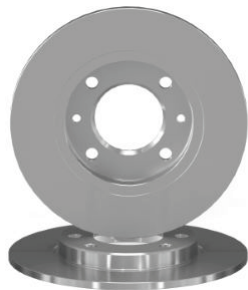
MODEL	START Y.	END Y.
SINTRA (APV)	1996/11	1999/04



BRAKE DISC

- Rear Axle
- Solid

- Safety
- Performance
- OEM Standarts
- AYD Quality



AYD
AUTOMOTIVE INDUSTRY

AYD NO
10-50223

MATERIAL
TYPE-1

WEIGHT
2,60 KG

BALANCING
100 %



OE:
1618860980

10-50223

Technical Specifications:

Diameter (mm)	Height (mm)	Brake Disc Thickness (mm)	Min. Thickness (mm)	Centering Diameter (mm)	Bolt Hole Circle (mm)	Num. of Holes
246.75	25.2	8	6	71	108	4+2

PEUGEOT

MODEL	START Y.	END Y.
106 II (1A_, 1C_)	1996/04	2005/05
206 CC (2D)	2000/09	2008/12
206 Hatchback (2A/C)	1998/08	2012/12
206 Sedan	2007/03	
206 SW (2E/K)	2002/07	
206 Van	1999/04	2009/03
306 (7B, N3, N5)	1993/04	2003/10
306 Break (7E, N3, N5)	1994/06	2002/12
306 Cabrio (7D, N3, N5)	1994/01	2002/04
306 Hatchback (7A, 7C, N3, N5)	1993/01	2003/10

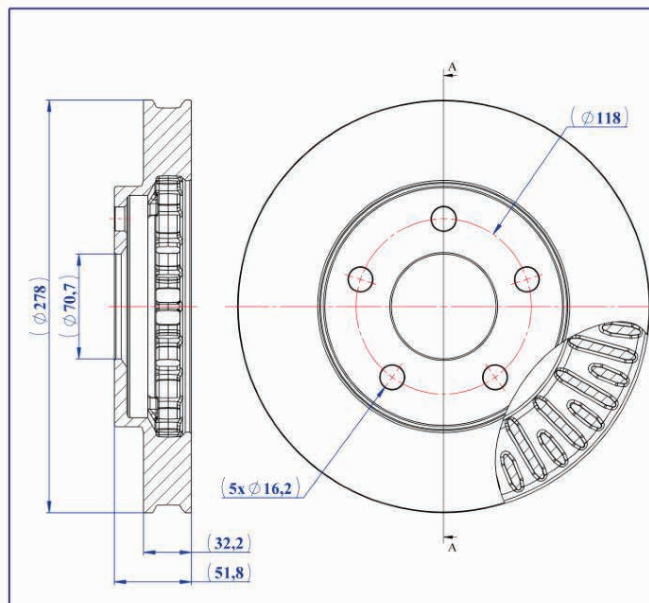


BRAKE DISC

- Front Axle
- Vented

- Safety
- Performance
- OEM Standarts
- AYD Quality

OE:
18021359
18060233



AYD
AUTOMOTIVE INDUSTRY

AYD NO
10-50687

MATERIAL
TYPE-1

WEIGHT
6,83 KG

BALANCING
100 %



10-50687

Technical Specifications:

Diameter (mm)	Height (mm)	Brake Disc Thickness (mm)	Min. Thickness (mm)	Centering Diameter (mm)	Bolt Hole Circle (mm)	Num. of Holes
278	51.8	32.2	30.7	70.7	118	5

PONTIAC

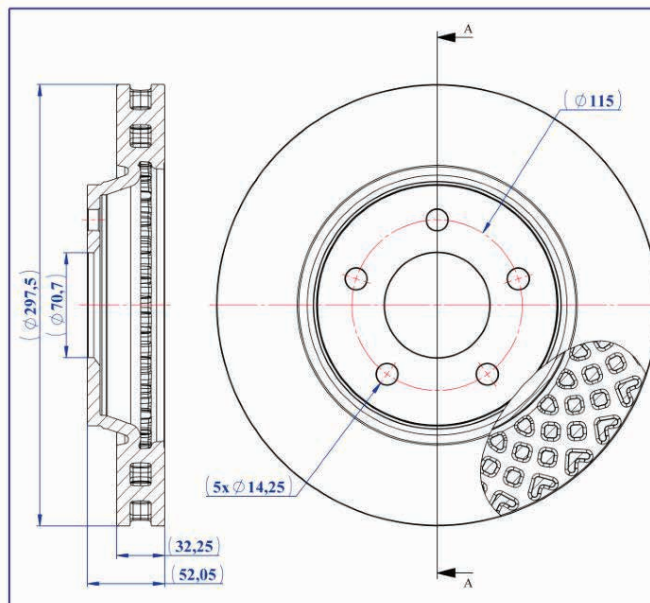
MODEL	START Y.	END Y.
BONNEVILLE Sedan	1999/09	2005/12
BONNEVILLE Sedan	1991/09	1999/12
BONNEVILLE Sedan	1986/09	1991/12
GRAND PRIX VI Coupe	1996/07	2003/12
GRAND PRIX VI Sedan	1996/07	2003/12
TRANS SPORT	1997/03	1999/12
TRANS SPORT (UM06)	1989/07	1997/12



BRAKE DISC

- Front Axle
- Vented

- Safety
- Performance
- OEM Standards
- AYD Quality



AYD
AUTOMOTIVE INDUSTRY

AYD NO
10-50698

MATERIAL
TYPE-1

WEIGHT
8,65 KG

BALANCING
100 %



OE:
19303816

10-50698

Technical Specifications:

Diameter (mm)	Height (mm)	Brake Disc Thickness (mm)	Min. Thickness (mm)	Centering Diameter (mm)	Bolt Hole Circle (mm)	Num. of Holes
297.5	52.05	32.25	30.7	70.7	115	5

PONTIAC

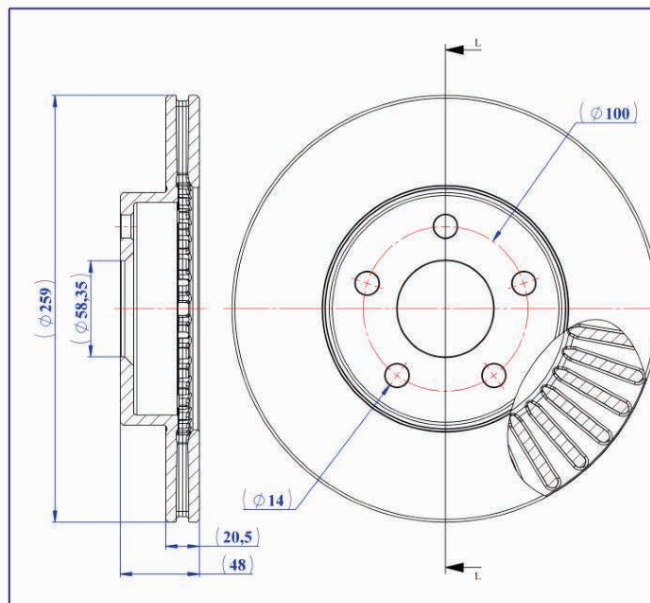
MODEL	START Y.	END Y.
GRAND PRIX Sedan	2003/09	2008/12



BRAKE DISC

- Front Axle
- Vented

- Safety
- Performance
- OEM Standarts
- AYD Quality



AYD[®]
AUTOMOTIVE INDUSTRY

AYD NO
10-50703

MATERIAL
TYPE-1

WEIGHT
5,25 KG

BALANCING
100 %



OE:
18060237

10-50703

Technical Specifications:

Diameter (mm)	Height (mm)	Brake Disc Thickness (mm)	Min. Thickness (mm)	Centering Diameter (mm)	Bolt Hole Circle (mm)	Num. of Holes
259	48	20.5	18.7	58.35	100	5

PONTIAC

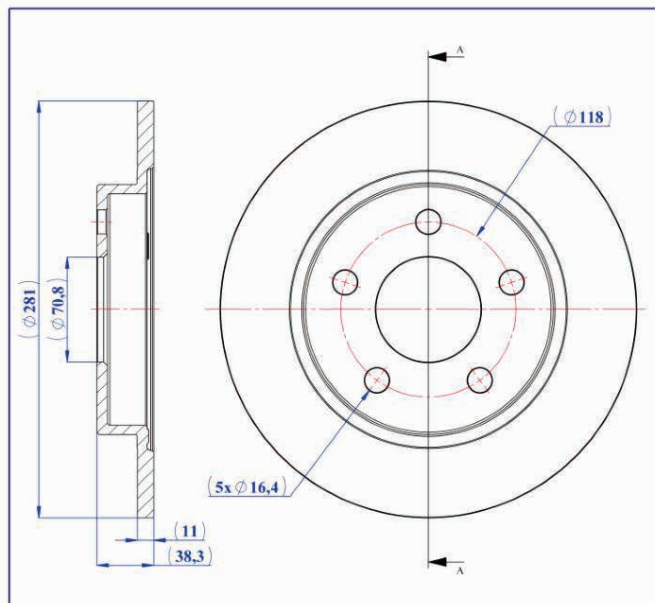
MODEL	START Y.	END Y.
GRAND AM Coupe	1991/09	1998/12
GRAND AM Sedan	1991/09	1998/12
SUNFIRE	1994/06	2005/10
SUNFIRE Cabrio	1994/09	2002/10
SUNFIRE Coupe	1994/06	2005/09



BRAKE DISC

- Rear Axle
- Solid

- Safety
- Performance
- OEM Standarts
- AYD Quality



AYD
AUTOMOTIVE INDUSTRY

AYD NO
10-50746

MATERIAL
TYPE-1

WEIGHT
4,48 KG

BALANCING
100 %



OE:
18060236

10-50746

Technical Specifications:

Diameter (mm)	Height (mm)	Brake Disc Thickness (mm)	Min. Thickness (mm)	Centering Diameter (mm)	Bolt Hole Circle (mm)	Num. of Holes
281	38.3	11	9	70.8	118	5

PONTIAC

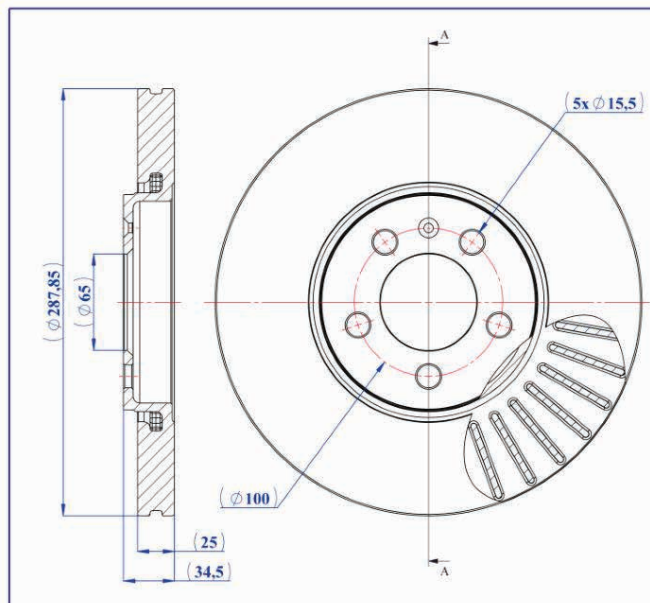
MODEL	START Y.	END Y.
BONNEVILLE Sedan	1999/09	2005/12



BRAKE DISC

- Front Axle
- Vented

- Safety
- Performance
- OEM Standards
- AYD Quality



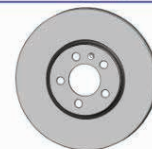
AYD
AUTOMOTIVE INDUSTRY

AYD NO
10-50206

MATERIAL
TYPE-1

WEIGHT
7,17 KG

BALANCING
100 %



OE:
1J0615301R
1J0615301S

10-50206

Technical Specifications:

Diameter (mm)	Height (mm)	Brake Disc Thickness (mm)	Min. Thickness (mm)	Centering Diameter (mm)	Bolt Hole Circle (mm)	Num. of Holes
287.85	34.5	25	22	65	100	5+1

SEAT

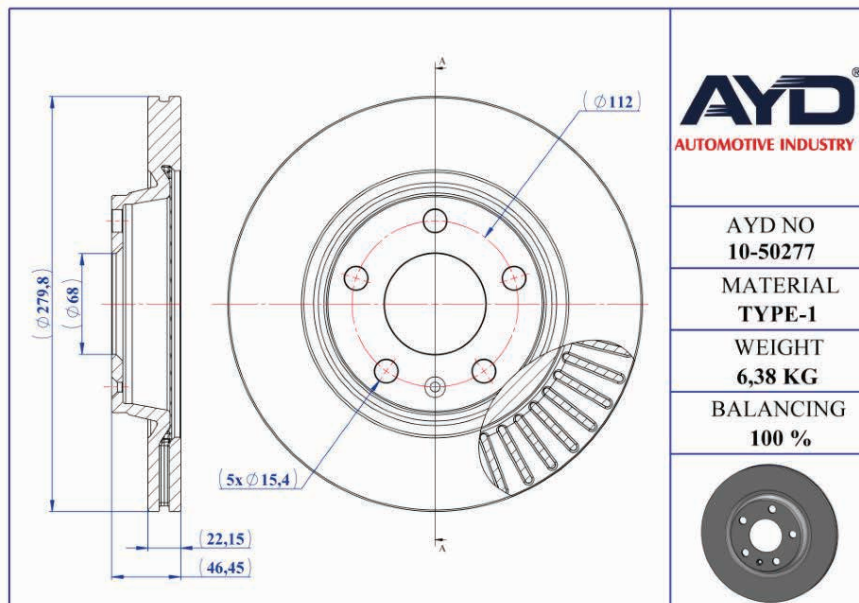
MODEL	START Y.	END Y.
CORDOBA (6L2)	2002/09	2009/11
IBIZA III (6L1)	2002/02	2009/11
IBIZA IV (6J5, 6P1)	2008/03	2017/12
IBIZA IV SC (6J1, 6P5)	2008/06	2018/12
IBIZA IV ST (6J8, 6P8)	2010/03	2016/07
LEON (1M1)	1999/11	2006/06
TOLEDO II (1M2)	1998/10	2006/05
TOLEDO IV (KG3)	2012/07	2019/04



BRAKE DISC

- Front Axle
- Vented

- Safety
- Performance
- OEM Standarts
- AYD Quality



OE:
8E0615301D

10-50277

AYD
AUTOMOTIVE INDUSTRY

AYD NO
10-50277

MATERIAL
TYPE-1

WEIGHT
6,38 KG

BALANCING
100 %



Technical Specifications:

Diameter (mm)	Height (mm)	Brake Disc Thickness (mm)	Min. Thickness (mm)	Centering Diameter (mm)	Bolt Hole Circle (mm)	Num. of Holes
279.8	46.45	22.15	20	68	112	5+1

SEAT

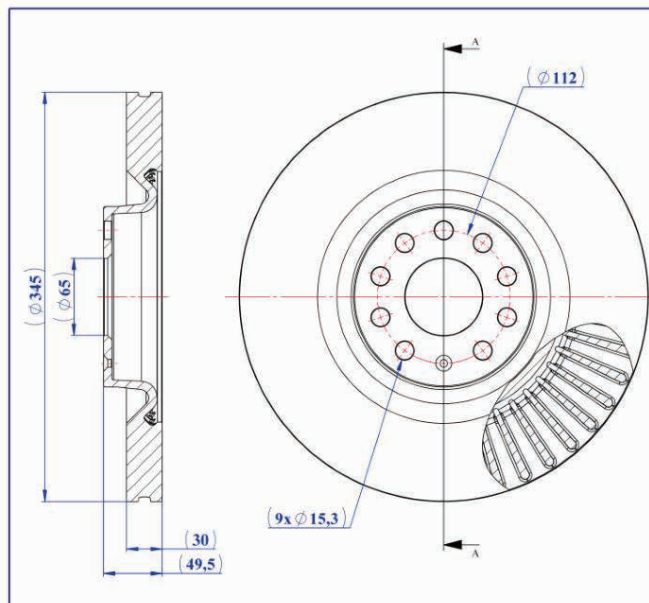
MODEL	START Y.	END Y.
EXEO (3R2)	2008/12	2013/05
EXEO ST (3R5)	2009/05	2013/05



BRAKE DISC

- Front Axle
- Vented

- Safety
- Performance
- OEM Standarts
- AYD Quality



AYD
AUTOMOTIVE INDUSTRY

AYD NO
10-50674

MATERIAL
TYPE-1

WEIGHT
12,05 KG

BALANCING
100 %



OE:
1K0615301M

10-50674

Technical Specifications:

Diameter (mm)	Height (mm)	Brake Disc Thickness (mm)	Min. Thickness (mm)	Centering Diameter (mm)	Bolt Hole Circle (mm)	Num. of Holes
345	49.5	30	27	65	112	9+1

SEAT

MODEL	START Y.	END Y.
LEON (1P1)	2005/05	2013/12



BRAKE DISC

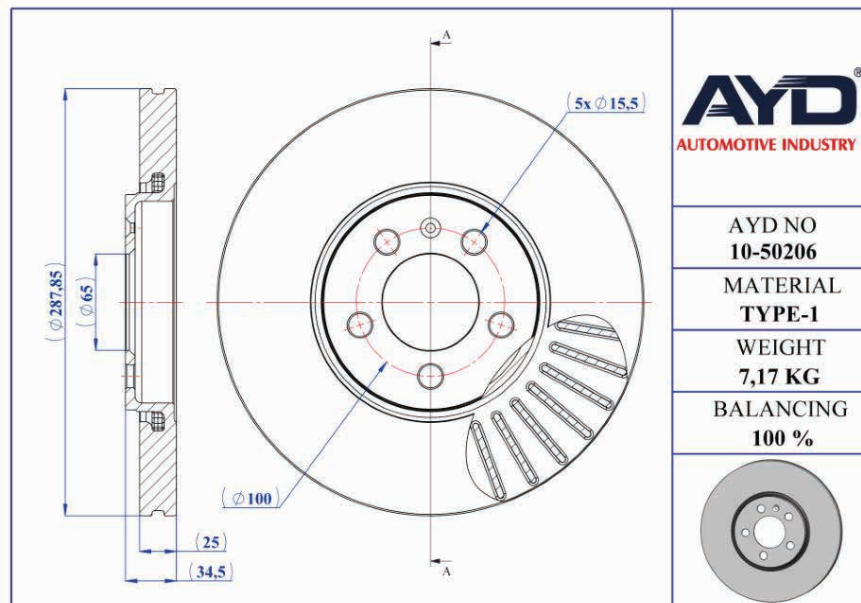
- Front Axle
- Vented

- Safety
- Performance
- OEM Standards
- AYD Quality



OE:
1J0615301R
1J0615301S
6R0615301A

10-50206



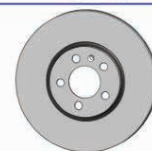
AYD
AUTOMOTIVE INDUSTRY

AYD NO
10-50206

MATERIAL
TYPE-1

WEIGHT
7,17 KG

BALANCING
100 %



Technical Specifications:

Diameter (mm)	Height (mm)	Brake Disc Thickness (mm)	Min. Thickness (mm)	Centering Diameter (mm)	Bolt Hole Circle (mm)	Num. of Holes
287.85	34.5	25	22	65	100	5+1

SKODA

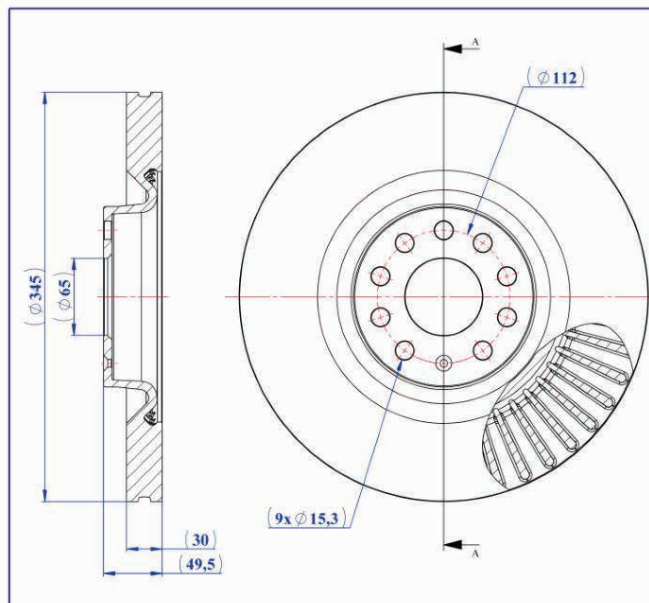
MODEL	START Y.	END Y.
FABIA I (6Y2)	1999/08	2008/03
FABIA I Combi (6Y5)	2000/04	2007/12
FABIA I Sedan (6Y3)	1999/10	2007/12
FABIA II (542)	2006/12	2014/12
FABIA II Combi (545)	2007/10	2014/12
FABIA III (NJ3)	2014/08	
FABIA III Station wagon (NJ5)	2014/08	
OCTAVIA I (1U2)	1996/09	2010/12
OCTAVIA I Combi (1U5)	1998/07	2010/12
RAPID (NH3, NK3, NK6)	2012/07	
RAPID Spaceback (NH1)	2012/07	2019/12



BRAKE DISC

- Front Axle
- Vented

- Safety
- Performance
- OEM Standarts
- AYD Quality



AYD
AUTOMOTIVE INDUSTRY

AYD NO
10-50674

MATERIAL
TYPE-1

WEIGHT
12,05 KG

BALANCING
100 %



OE:
1K0615301AR

10-50674

Technical Specifications:

Diameter (mm)	Height (mm)	Brake Disc Thickness (mm)	Min. Thickness (mm)	Centering Diameter (mm)	Bolt Hole Circle (mm)	Num. of Holes
345	49.5	30	27	65	112	9+1

SKODA

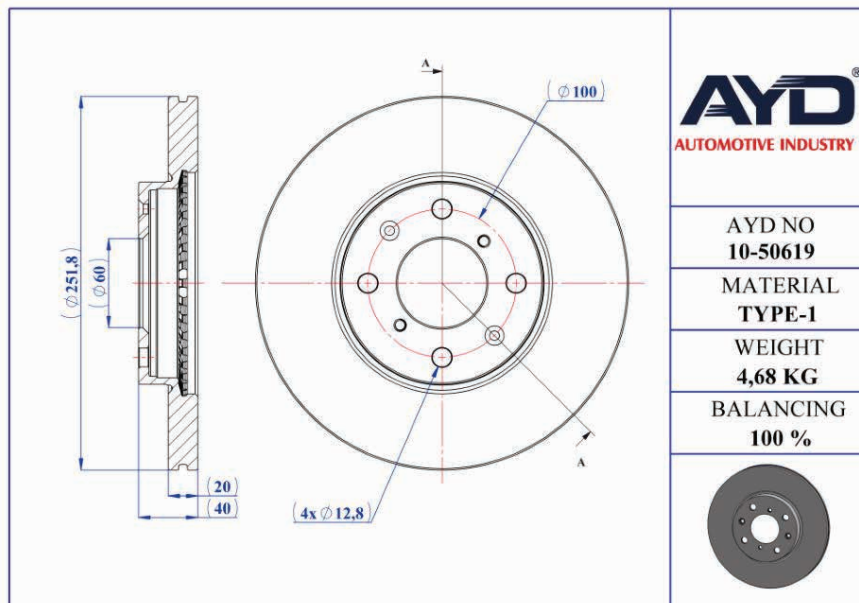
MODEL	START Y.	END Y.
SUPERB II (3T4)	2008/03	2015/05
SUPERB II Station wagon (3T5)	2009/10	2015/05



BRAKE DISC

- Front Axle
- Vented

- Safety
- Performance
- OEM Standarts
- AYD Quality



OE:
5531162J00

10-50619

Technical Specifications:

Diameter (mm)	Height (mm)	Brake Disc Thickness (mm)	Min. Thickness (mm)	Centering Diameter (mm)	Bolt Hole Circle (mm)	Num. of Holes
251.8	40	20	18	60	100	4+4

SUZUKI

MODEL	START Y.	END Y.
SPLASH (EX)	2008/01	
SWIFT III (MZ, EZ)	2005/02	

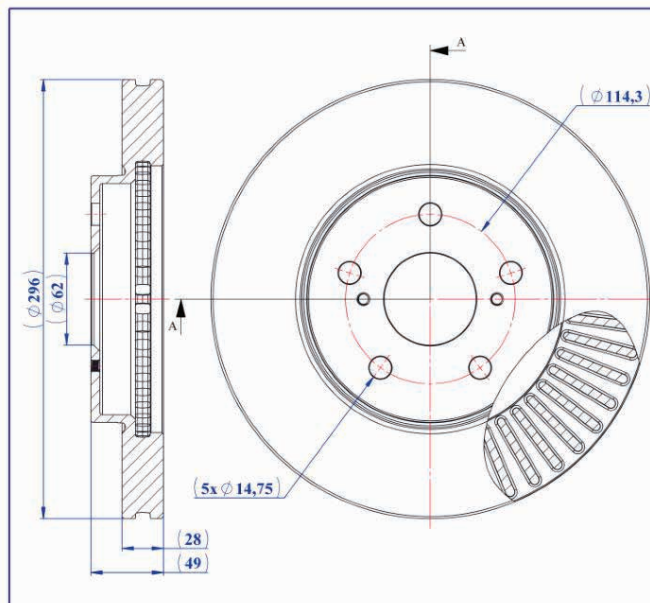


BRAKE DISC

- Front Axle
- Vented

- Safety
- Performance
- OEM Standarts
- AYD Quality

OE:
4351233100
4351258010



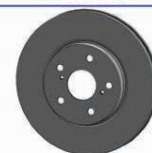
AYD[®]
AUTOMOTIVE INDUSTRY

AYD NO
10-50685

MATERIAL
TYPE-1

WEIGHT
8,07 KG

BALANCING
100 %



10-50685

Technical Specifications:

Diameter (mm)	Height (mm)	Brake Disc Thickness (mm)	Min. Thickness (mm)	Centering Diameter (mm)	Bolt Hole Circle (mm)	Num. of Holes
296	49	28	26	62	114.3	5+2

TOYOTA

MODEL	START Y.	END Y.
CAMRY Sedan (_V3_)	2001/08	2006/11



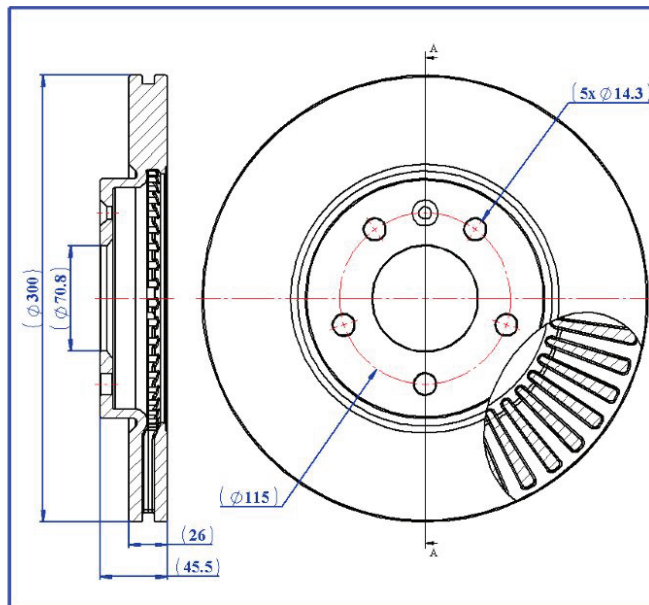
BRAKE DISC

- Front Axle
- Vented

- Safety
- Performance
- OEM Standards
- AYD Quality

OE:
569070

10-50251



AYD
AUTOMOTIVE INDUSTRY

AYD NO
10-50251

MATERIAL
TYPE-1

WEIGHT
8,67 KG

BALANCING
100 %



Technical Specifications:

Diameter (mm)	Height (mm)	Brake Disc Thickness (mm)	Min. Thickness (mm)	Centering Diameter (mm)	Bolt Hole Circle (mm)	Num. of Holes
300	45.5	26	23	70.8	115	5+1

VAUXHALL

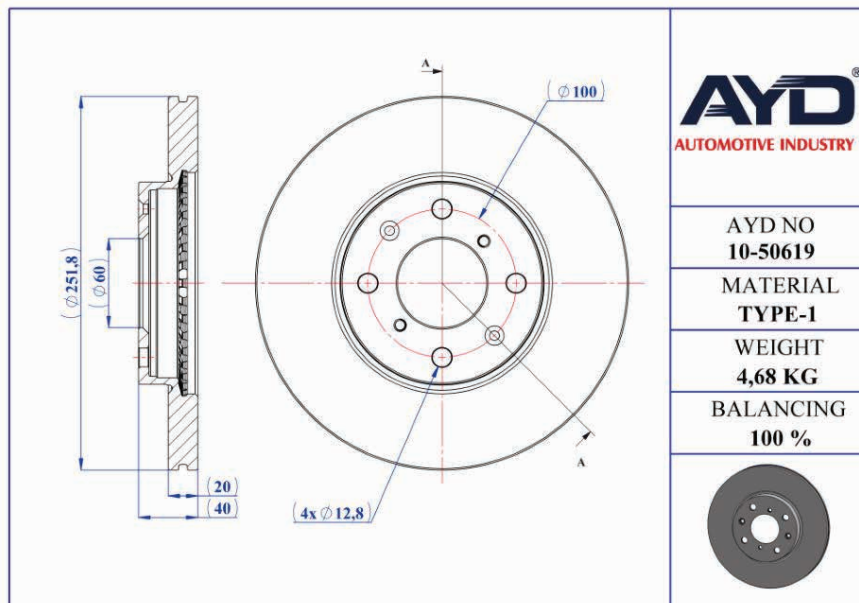
MODEL	START Y.	END Y.
ASTRA Mk VI (J) (P10)	2009/12	2015/10
ASTRA Mk VI (J) GTC (P10)	2011/10	2015/10
ASTRA Mk VI (J) Sedan (P10)	2012/06	2015/10
ASTRA Mk VI (J) Station wagon (P10)	2010/10	2015/10
MOKKA / MOKKA X (J13)	2012/06	
ZAFIRA Mk III (P12)	2011/10	2018/08



BRAKE DISC

- Front Axle
- Vented

- Safety
- Performance
- OEM Standards
- AYD Quality



OE:
93192978

10-50619

Technical Specifications:

Diameter (mm)	Height (mm)	Brake Disc Thickness (mm)	Min. Thickness (mm)	Centering Diameter (mm)	Bolt Hole Circle (mm)	Num. of Holes
251.8	40	20	18	60	100	4+4

VAUXHALL

MODEL	START Y.	END Y.
AGILA Mk II (B) (H08)	2008/01	2014/11

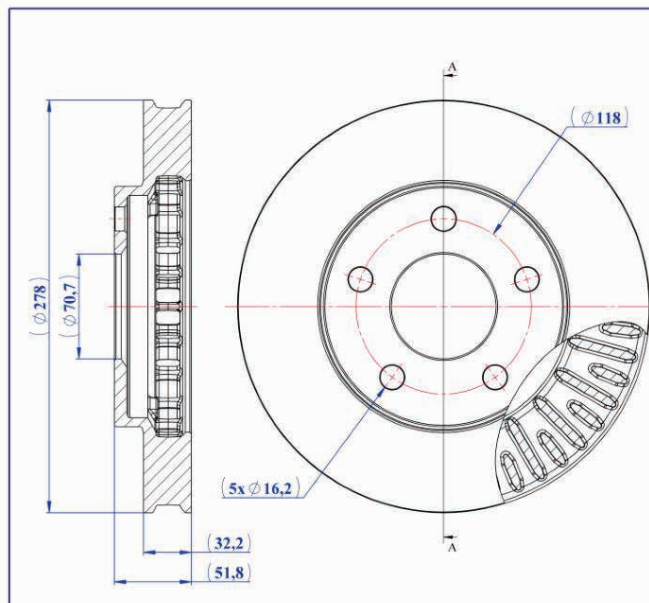


BRAKE DISC

- Front Axle
- Vented

- Safety
- Performance
- OEM Standarts
- AYD Quality

OE:
569019
569057
90542181



AYD[®]
AUTOMOTIVE INDUSTRY

AYD NO
10-50687

MATERIAL
TYPE-1

WEIGHT
6,83 KG

BALANCING
100 %



10-50687

Technical Specifications:

Diameter (mm)	Height (mm)	Brake Disc Thickness (mm)	Min. Thickness (mm)	Centering Diameter (mm)	Bolt Hole Circle (mm)	Num. of Holes
278	51.8	32.2	30.7	70.7	118	5

VAUXHALL

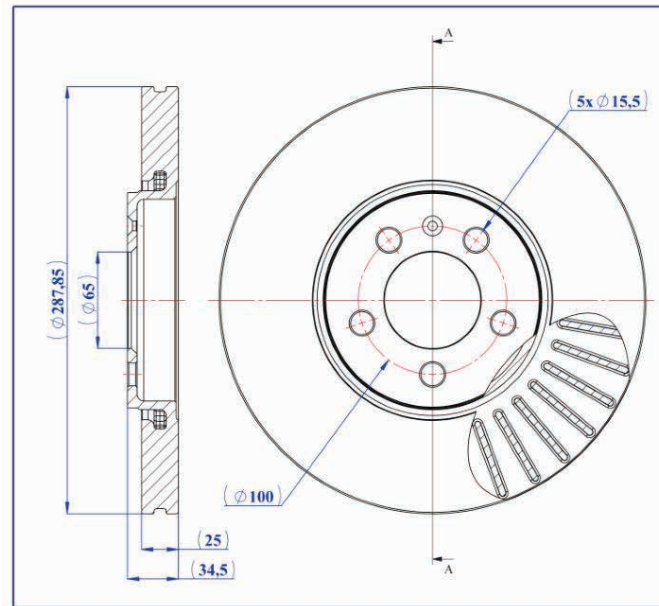
MODEL	START Y.	END Y.
SINTRA (APV)	1996/09	1999/04



BRAKE DISC

- Front Axle
- Vented

- Safety
- Performance
- OEM Standards
- AYD Quality



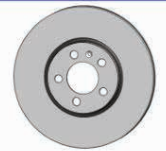
AYD
AUTOMOTIVE INDUSTRY

AYD NO
10-50206

MATERIAL
TYPE-1

WEIGHT
7,17 KG

BALANCING
100 %



OE:
1J0615301R
1J0615301S
6R0615301A

10-50206

Technical Specifications:

Diameter (mm)	Height (mm)	Brake Disc Thickness (mm)	Min. Thickness (mm)	Centering Diameter (mm)	Bolt Hole Circle (mm)	Num. of Holes
287.85	34.5	25	22	65	100	5+1

VW

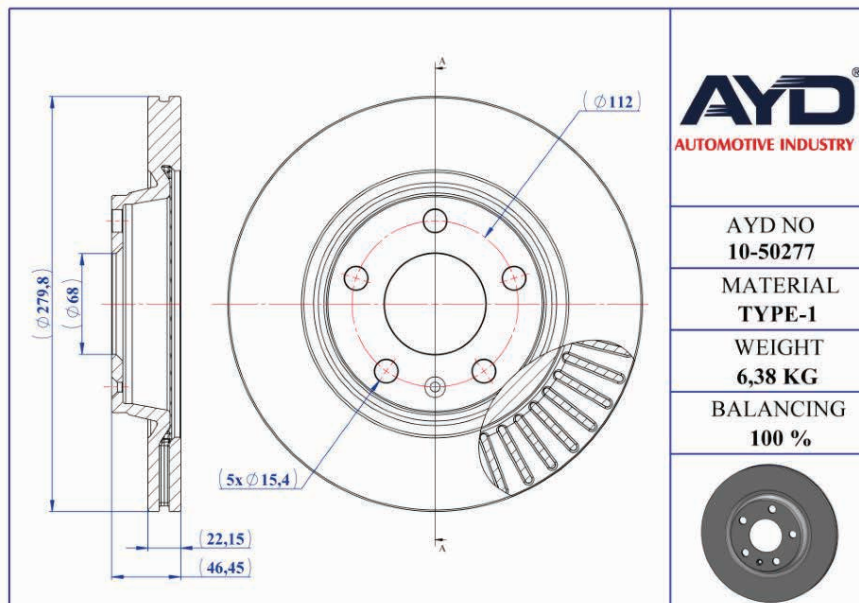
MODEL	START Y.	END Y.
BORA I (1J2)	1998/10	2013/12
BORA Variant (1J6)	1999/05	2005/05
GOLF IV (1J1)	1997/08	2008/04
GOLF IV Van (1J1)	1997/10	2004/05
GOLF IV Variant (1J5)	1999/05	2006/06
NEW BEETLE (9C1, 1C1)	1998/01	2010/11
NEW BEETLE Cabrio (1Y7)	2002/09	2011/12
POLO (9N_, 9A_)	2001/10	2014/10
POLO IV Sedan (9A4, 9A2, 9N2, 9A6)	2002/09	
POLO V (6R1, 6C1)	2009/03	
POLO V Sedan (602, 604, 612, 614)	2009/05	



BRAKE DISC

- Front Axle
- Vented

- Safety
- Performance
- OEM Standarts
- AYD Quality



OE:
8E0615301

10-50277

Technical Specifications:

Diameter (mm)	Height (mm)	Brake Disc Thickness (mm)	Min. Thickness (mm)	Centering Diameter (mm)	Bolt Hole Circle (mm)	Num. of Holes
279.8	46.45	22.15	20	68	112	5+1

VW

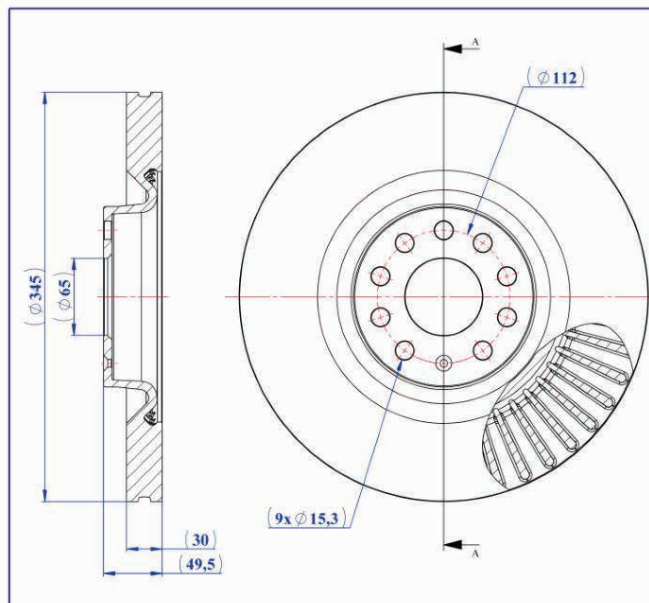
MODEL	START Y.	END Y.
PASSAT B5 (3B2)	1996/08	2001/12
PASSAT B5 Variant (3B5)	1997/05	2001/12



BRAKE DISC

- Front Axle
- Vented

- Safety
- Performance
- OEM Standarts
- AYD Quality



AYD
AUTOMOTIVE INDUSTRY

AYD NO
10-50674

MATERIAL
TYPE-1

WEIGHT
12,05 KG

BALANCING
100 %



OE:
1K0615301AB

10-50674

Technical Specifications:

Diameter (mm)	Height (mm)	Brake Disc Thickness (mm)	Min. Thickness (mm)	Centering Diameter (mm)	Bolt Hole Circle (mm)	Num. of Holes
345	49.5	30	27	65	112	9+1

VW

MODEL	START Y.	END Y.
EOS (1F7, 1F8)	2006/03	2015/08
GOLF V (1K1)	2003/10	2010/07
GOLF VI (5K1)	2008/10	2014/12
GOLF VI Cabrio (517)	2011/03	2016/05
GOLF VI Van (5K1_)	2008/10	2012/11
PASSAT B6 (3C2)	2005/03	2010/12
PASSAT B6 Variant (3C5)	2005/08	2011/11
PASSAT CC B6 (357)	2008/02	2012/01
SCIROCCO III (137, 138)	2008/05	2017/11

