

new to range

SPEED TO MARKET SECOND TO NONE

AYD[®]
AUTOMOTIVE INDUSTRY



BRAKING NEW GROUND

SAFETY

PERFORMANCE

OEM Standards

AYD QUALITY

www.aydtr.com



MAY 2022

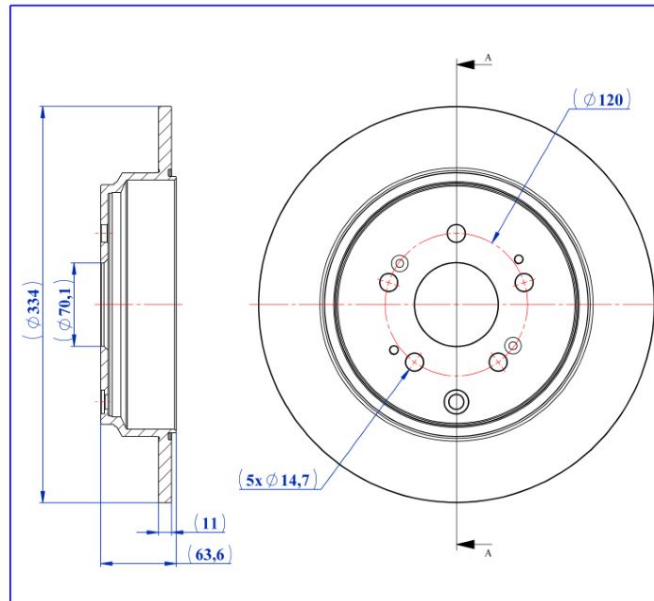
INDEX

ACURA	3-4
BUICK	5-7
CADILLAC	8-9
CHEVROLET	10-19
CHRYSLER	20-21
CITROEN	22
DODGE	23-24
FIAT	25
FORD	26-29
GMC	30-36
HONDA	37-41
HUMMER	42
HYUNDAI	43-44
JEEP	45
KIA	46-47
LEXUS	48-51
LINCOLN	52
MERCURY	53
MITSUBISHI	54
NISSAN	55
OPEL	56
PEUGEOT	57
POINTIAC	58
RENAULT	59
SUBARU	60-64
TOYOTA	65-74
VAUXHALL	75
VOLKSWAGEN	76

BRAKE DISC

- Rear Axle
- Solid

- Safety
- Performance
- OEM Standarts
- AYD Quality



AYD NO
10-50563

MATERIAL
TYPE-1

WEIGHT
6,80 KG

BALANCING
100 %



OE:
42510SZAA00

10-50563

Technical Specifications:

Diameter (mm)	Height (mm)	Brake Disc Thickness (mm)	Min. Thickness (mm)	Centering Diameter (mm)	Bolt Hole Circle (mm)	Num. of Holes
334	63.6	11	9	70.1	120	5+5

ACURA

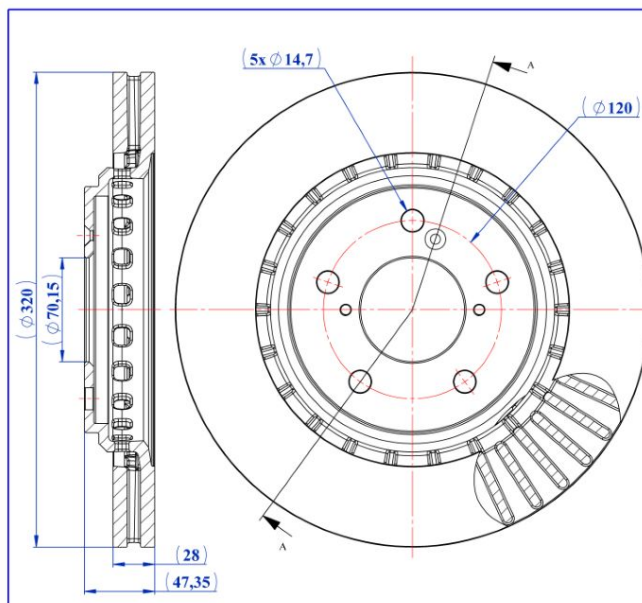
MODEL	START Y.	END Y.
MDX (YD2)	2006/04	
ZDX	2010/01	



BRAKE DISC

- Front Axle
- Vented

- Safety
- Performance
- OEM Standarts
- AYD Quality



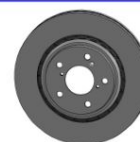
AYD
AUTOMOTIVE INDUSTRY

AYD NO
10-50608

MATERIAL
TYPE-1

WEIGHT
9,33 KG

BALANCING
100 %



OE:
45251TK8A02

10-50608

Technical Specifications:

Diameter (mm)	Height (mm)	Brake Disc Thickness (mm)	Min. Thickness (mm)	Centering Diameter (mm)	Bolt Hole Circle (mm)	Num. of Holes
320	47.35	28	26	70.15	120	5+3

ACURA

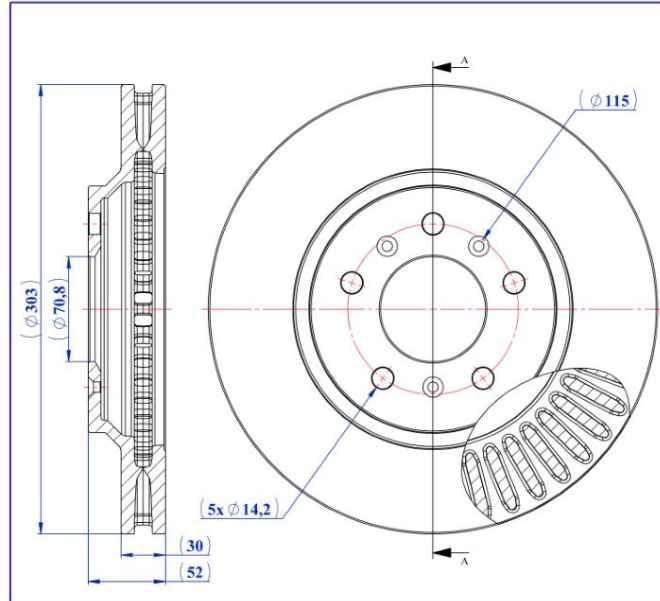
MODEL	START Y.	END Y.
MDX (YD3)	2013/06	



BRAKE DISC

- Front Axle
- Vented

- Safety
- Performance
- OEM Standarts
- AYD Quality



AYD NO
10-50583

MATERIAL
TYPE-1

WEIGHT
9 KG

BALANCING
100 %



OE:
20879454

10-50583

Technical Specifications:

Diameter (mm)	Height (mm)	Brake Disc Thickness (mm)	Min. Thickness (mm)	Centering Diameter (mm)	Bolt Hole Circle (mm)	Num. of Holes
303	52	30	28.6	70.8	115	5+3

BUICK

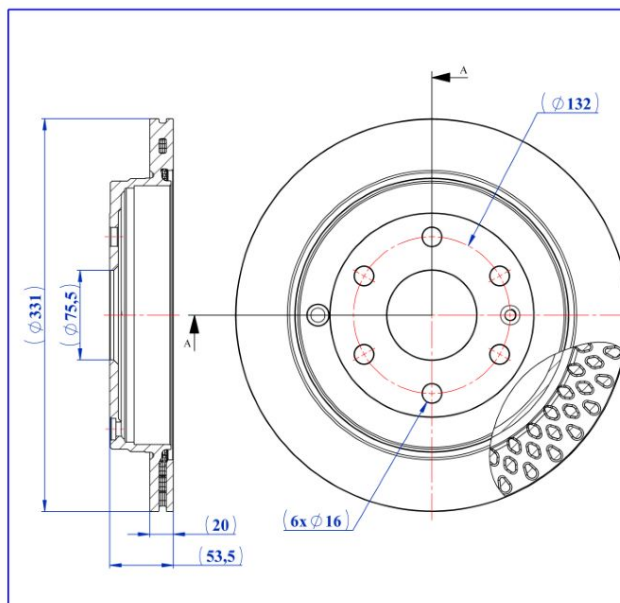
MODEL	START Y.	END Y.
LUCERNE Sedan	2005/09	2011/12



BRAKE DISC

- Rear Axle
- Vented

- Safety
- Performance
- OEM Standarts
- AYD Quality

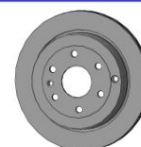


AYD NO
10-50592

MATERIAL
TYPE-1

WEIGHT
7,95 KG

BALANCING
100 %



OE:
22768973

10-50592

Technical Specifications:

Diameter (mm)	Height (mm)	Brake Disc Thickness (mm)	Min. Thickness (mm)	Centering Diameter (mm)	Bolt Hole Circle (mm)	Num. of Holes
331	53.5	20	18.4	75.5	132	6+2

BUICK

MODEL	START Y.	END Y.
ENCLAVE	2007/04	2017/12

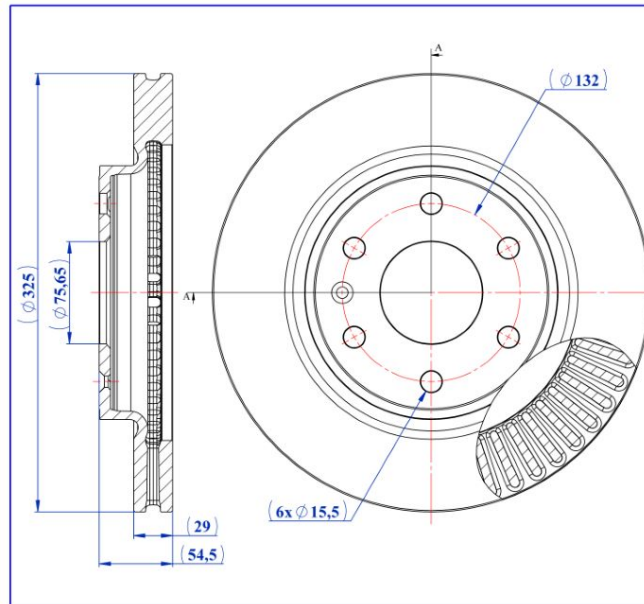


BRAKE DISC

- Front Axle
- Rear Axle
- Vented

- Safety
- Performance
- OEM Standarts
- AYD Quality

OE:
22955495
25853001



AYD
AUTOMOTIVE INDUSTRY

AYD NO
10-50615

MATERIAL
TYPE-1

WEIGHT
9,68 KG

BALANCING
100 %



10-50615

Technical Specifications:

Diameter (mm)	Height (mm)	Brake Disc Thickness (mm)	Min. Thickness (mm)	Centering Diameter (mm)	Bolt Hole Circle (mm)	Num. of Holes
325	54.5	29	27.5	75.65	132	6+1

BUICK

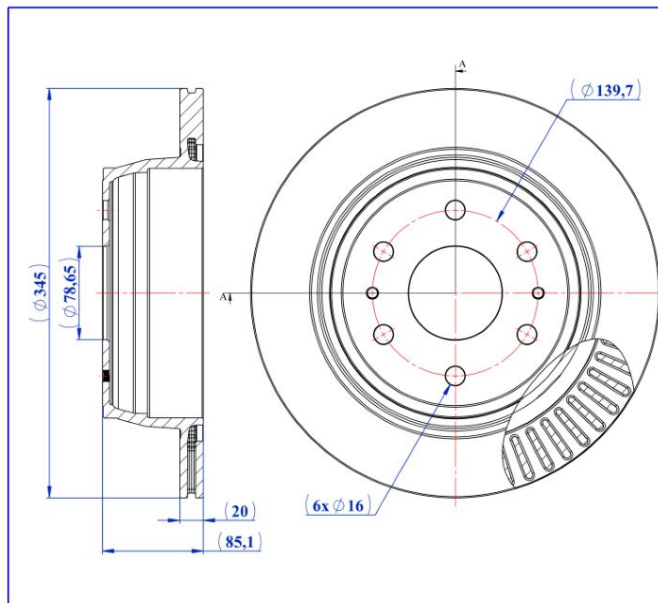
MODEL	START Y.	END Y.
ENCLAVE	2007/04	2017/12



BRAKE DISC

- Rear Axle
- Vented

- Safety
- Performance
- OEM Standarts
- AYD Quality

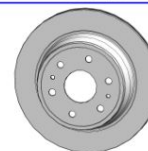


AYD NO
10-50550

MATERIAL
TYPE-1

WEIGHT
9,80 KG

BALANCING
100 %



OE:
22968231

10-50550

Technical Specifications:

Diameter (mm)	Height (mm)	Brake Disc Thickness (mm)	Min. Thickness (mm)	Centering Diameter (mm)	Bolt Hole Circle (mm)	Num. of Holes
345	85.1	20	18.5	78.65	139.7	6+2

CADILLAC

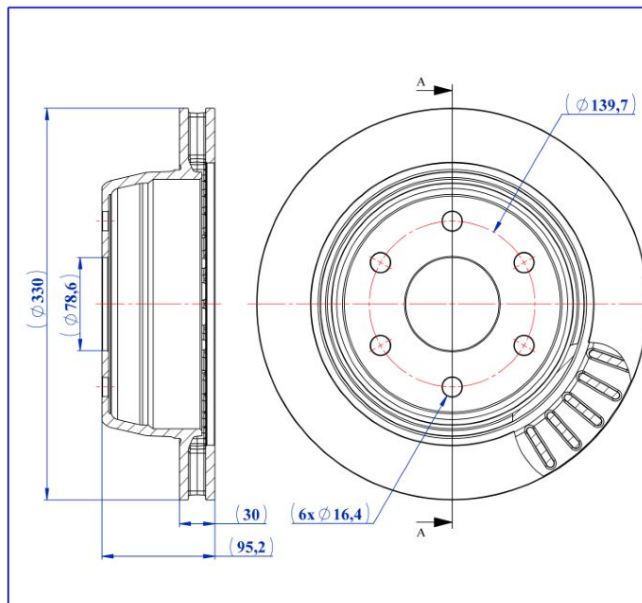
MODEL	START Y.	END Y.
ESCALADE	2006/10	2014/12
ESCALADE Crew Cab Pickup	2006/09	2014/12



BRAKE DISC

- Rear Axle
- Vented

- Safety
- Performance
- OEM Standarts
- AYD Quality



AYD[®]
AUTOMOTIVE INDUSTRY

AYD NO
10-50551

MATERIAL
TYPE-1

WEIGHT
9,86 KG

BALANCING
100 %



OE:
25757802

10-50551

Technical Specifications:

Diameter (mm)	Height (mm)	Brake Disc Thickness (mm)	Min. Thickness (mm)	Centering Diameter (mm)	Bolt Hole Circle (mm)	Num. of Holes
330	95.2	30	28.5	78.6	139.7	6

CADILLAC

MODEL	START Y.	END Y.
ESCALADE Crew Cab Pickup	2001/09	2006/12



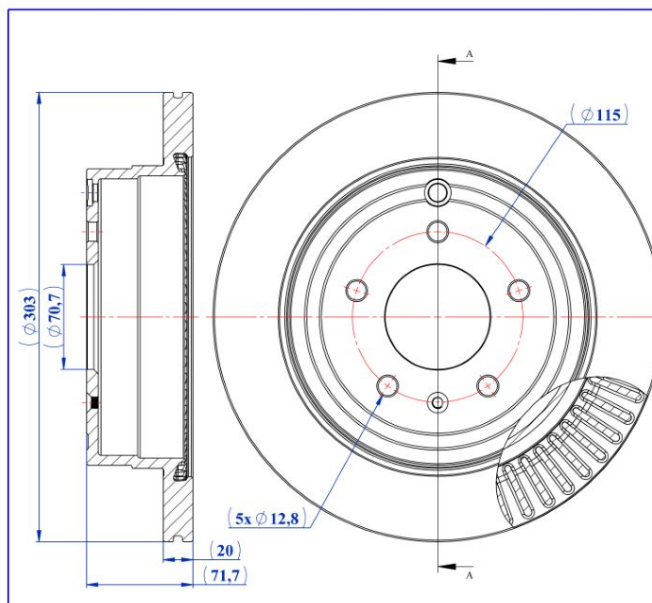
BRAKE DISC

- Rear Axle
- Vented

- Safety
- Performance
- OEM Standarts
- AYD Quality

OE:
20968395

10-50536



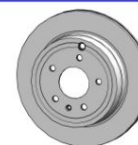
AYD
AUTOMOTIVE INDUSTRY

AYD NO
10-50536

MATERIAL
TYPE-1

WEIGHT
7,46 KG

BALANCING
100 %



Technical Specifications:

Diameter (mm)	Height (mm)	Brake Disc Thickness (mm)	Min. Thickness (mm)	Centering Diameter (mm)	Bolt Hole Circle (mm)	Num. of Holes
303	71.7	20	18.4	70.7	115	5+2

CHEVROLET

MODEL	START Y.	END Y.
CAPTIVA (C100, C140)	2006/06	

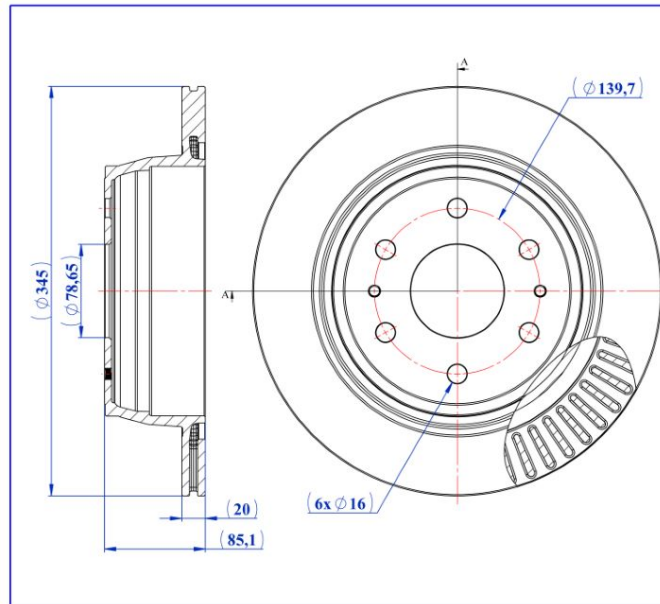


BRAKE DISC

- Rear Axle
- Vented

- Safety
- Performance
- OEM Standarts
- AYD Quality

OE:
23195438
22968231



AYD[®]
AUTOMOTIVE INDUSTRY

AYD NO
10-50550

MATERIAL
TYPE-1

WEIGHT
9,80 KG

BALANCING
100 %



10-50550

Technical Specifications:

Diameter (mm)	Height (mm)	Brake Disc Thickness (mm)	Min. Thickness (mm)	Centering Diameter (mm)	Bolt Hole Circle (mm)	Num. of Holes
345	85.1	20	18.5	78.65	139.7	6+2

CHEVROLET

MODEL	START Y.	END Y.
AVALANCHE	2005/06	2013/12
AVALANCHE 1500 Crew Cab Pickup	2006/09	2013/12
AVALANCHE Crew Cab Pickup	2006/09	2013/12
SILVERADO 1500	2006/09	
SILVERADO 1500 Crew Cab Pickup	2007/09	2013/12
SUBURBAN 1500 SUV	2006/09	2014/12
TAHOE (GMT900)	2007/01	2014/07

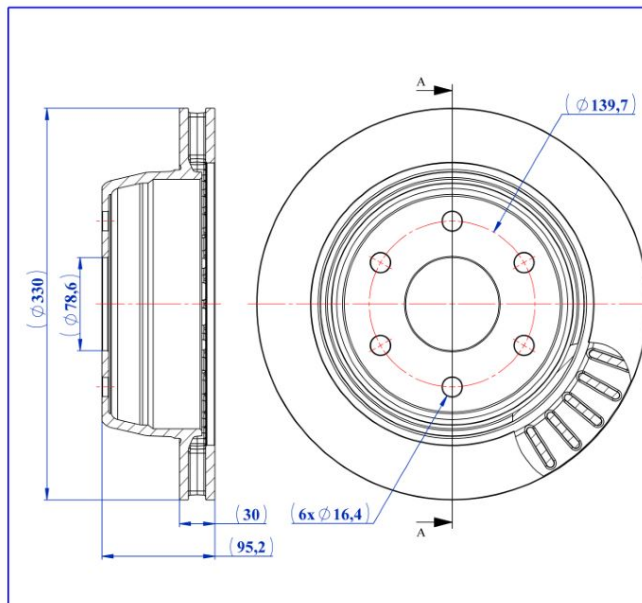


BRAKE DISC

- Rear Axle
- Vented

- Safety
- Performance
- OEM Standarts
- AYD Quality

OE:
25757802
15727134



AYD[®]
AUTOMOTIVE INDUSTRY

AYD NO
10-50551

MATERIAL
TYPE-1

WEIGHT
9,86 KG

BALANCING
100 %



10-50551

Technical Specifications:

Diameter (mm)	Height (mm)	Brake Disc Thickness (mm)	Min. Thickness (mm)	Centering Diameter (mm)	Bolt Hole Circle (mm)	Num. of Holes
330	95.2	30	28.5	78.6	139.7	6

CHEVROLET

MODEL	START Y.	END Y.
EXPRESS 1500 Standard Cargo Van	2002/09	
EXPRESS 1500 Standard Passenger Van	2002/09	
SUBURBAN 1500 SUV	1999/09	2006/12
TAHOE (B2W)	1999/09	2006/12



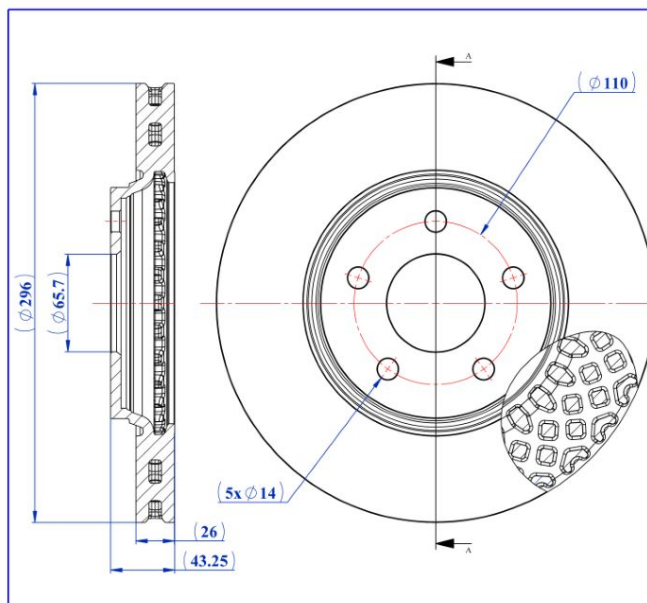
BRAKE DISC

- Front Axle
- Vented

- Safety
- Performance
- OEM Standarts
- AYD Quality

OE:
19303825

10-50579



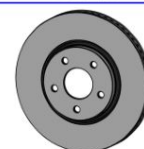
AYD
AUTOMOTIVE INDUSTRY

AYD NO
10-50579

MATERIAL
TYPE-1

WEIGHT
7,92 KG

BALANCING
100 %



Technical Specifications:

Diameter (mm)	Height (mm)	Brake Disc Thickness (mm)	Min. Thickness (mm)	Centering Diameter (mm)	Bolt Hole Circle (mm)	Num. of Holes
296	43.25	26	23	65.7	110	5

CHEVROLET

MODEL	START Y.	END Y.
COBALT	2003/11	
COBALT Coupe	2003/11	2010/12
HHR	2005/09	2011/12
MALIBU	2003/10	2007/12
MALIBU Hatchback	2003/10	2008/12



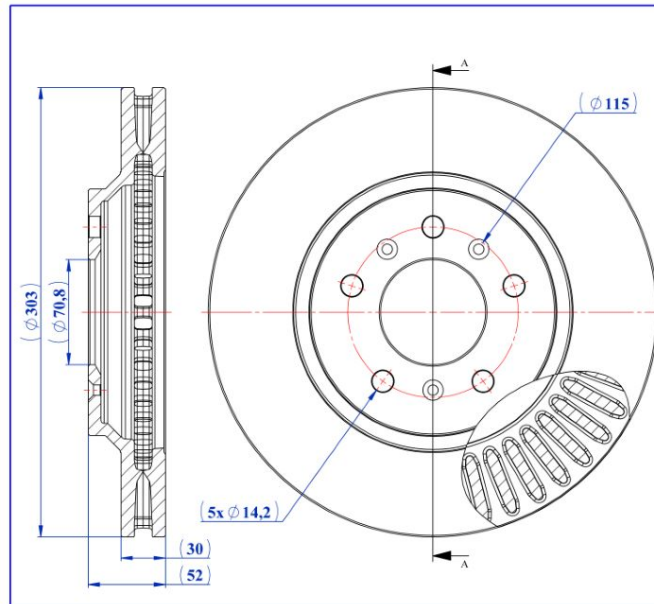
BRAKE DISC

- Front Axle
- Vented

- Safety
- Performance
- OEM Standarts
- AYD Quality

OE:
23127613
15251335

10-50583



AYD[®]
AUTOMOTIVE INDUSTRY

AYD NO
10-50583

MATERIAL
TYPE-1

WEIGHT
9 KG

BALANCING
100 %



Technical Specifications:

Diameter (mm)	Height (mm)	Brake Disc Thickness (mm)	Min. Thickness (mm)	Centering Diameter (mm)	Bolt Hole Circle (mm)	Num. of Holes
303	52	30	28.6	70.8	115	5+3

CHEVROLET

MODEL	START Y.	END Y.
IMPALA Sedan	2005/01	2016/12



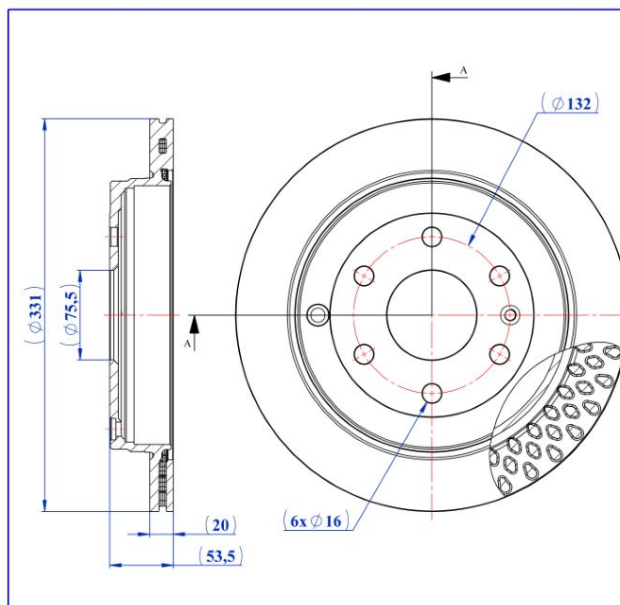
BRAKE DISC

- Rear Axle
- Vented

- Safety
- Performance
- OEM Standarts
- AYD Quality

OE:
10391043

10-50592



AYD
AUTOMOTIVE INDUSTRY

AYD NO
10-50592

MATERIAL
TYPE-1

WEIGHT
7,95 KG

BALANCING
100 %



Technical Specifications:

Diameter (mm)	Height (mm)	Brake Disc Thickness (mm)	Min. Thickness (mm)	Centering Diameter (mm)	Bolt Hole Circle (mm)	Num. of Holes
331	53.5	20	18.4	75.5	132	6+2

CHEVROLET

MODEL	START Y.	END Y.
TRAVERSE	2008/09	



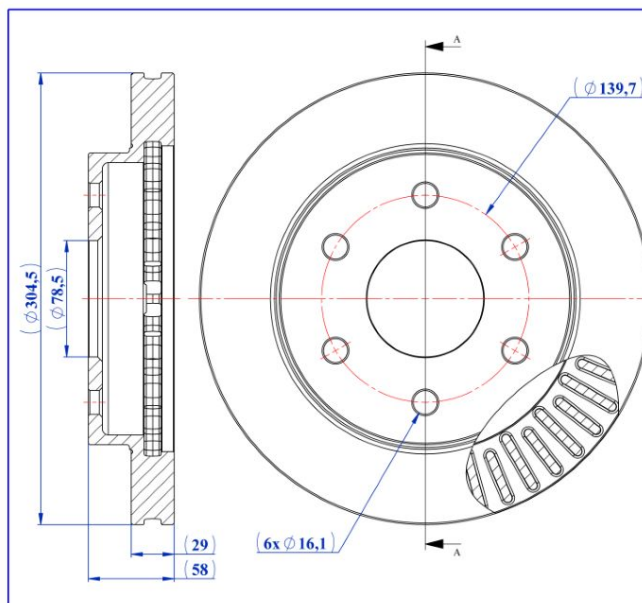
BRAKE DISC

- Front Axle
- Vented

- Safety
- Performance
- OEM Standarts
- AYD Quality

OE:
19210603
18060214

10-50613



AYD
AUTOMOTIVE INDUSTRY

AYD NO
10-50613

MATERIAL
TYPE-1

WEIGHT
8,64 KG

BALANCING
100 %



Technical Specifications:

Diameter (mm)	Height (mm)	Brake Disc Thickness (mm)	Min. Thickness (mm)	Centering Diameter (mm)	Bolt Hole Circle (mm)	Num. of Holes
304.5	58	29	27.2	78.5	139.7	6

CHEVROLET

MODEL	START Y.	END Y.
AVALANCHE 1500 Crew Cab Pickup	2001/09	2006/12
SILVERADO 1500	1997/09	2007/12
TAHOE (B2W)	1999/09	2006/12

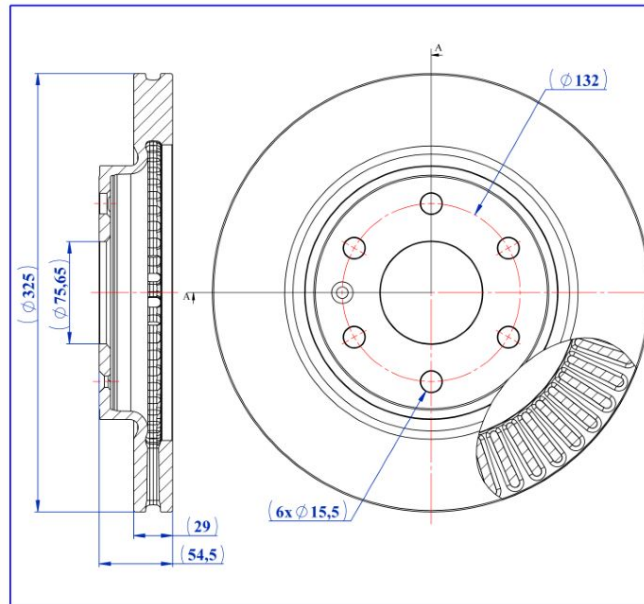


BRAKE DISC

- Front Axle
- Rear Axle
- Vented

- Safety
- Performance
- OEM Standarts
- AYD Quality

OE:
22955495
10390111



AYD[®]
AUTOMOTIVE INDUSTRY

AYD NO
10-50615

MATERIAL
TYPE-1

WEIGHT
9,68 KG

BALANCING
100 %



10-50615

Technical Specifications:

Diameter (mm)	Height (mm)	Brake Disc Thickness (mm)	Min. Thickness (mm)	Centering Diameter (mm)	Bolt Hole Circle (mm)	Num. of Holes
325	54.5	29	27.5	75.65	132	6+1

CHEVROLET

MODEL	START Y.	END Y.
TRAVERSE	2008/09	



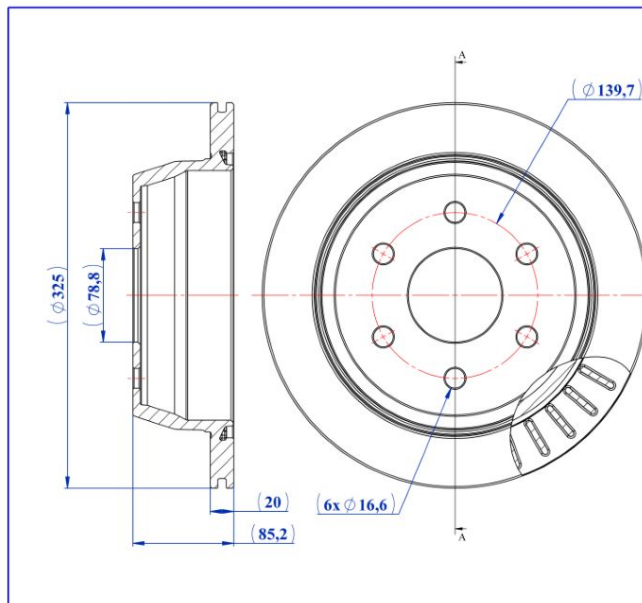
BRAKE DISC

- Rear Axle
- Vented

- Safety
- Performance
- OEM Standarts
- AYD Quality

OE:
19211496
15712800

10-50629



AYD[®]
AUTOMOTIVE INDUSTRY

AYD NO
10-50629

MATERIAL
TYPE-1

WEIGHT
9,15 KG

BALANCING
100 %



Technical Specifications:

Diameter (mm)	Height (mm)	Brake Disc Thickness (mm)	Min. Thickness (mm)	Centering Diameter (mm)	Bolt Hole Circle (mm)	Num. of Holes
325	85.2	20	18.5	78.8	139.7	6

CHEVROLET

MODEL	START Y.	END Y.
SILVERADO 1500 Extended Cab Pickup	1997/09	2007/12

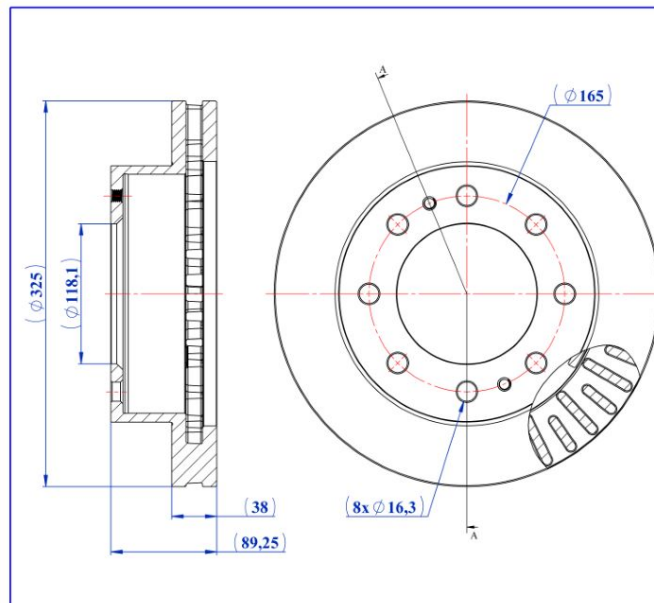


BRAKE DISC

- Front Axle
- Vented

- Safety
- Performance
- OEM Standarts
- AYD Quality

OE:
15942198
18060654



AYD[®]
AUTOMOTIVE INDUSTRY

AYD NO
10-50630

MATERIAL
TYPE-1

WEIGHT
12,5 KG

BALANCING
100 %



10-50630

Technical Specifications:

Diameter (mm)	Height (mm)	Brake Disc Thickness (mm)	Min. Thickness (mm)	Centering Diameter (mm)	Bolt Hole Circle (mm)	Num. of Holes
325	89.25	38	36.5	118.1	165	8+2

CHEVROLET

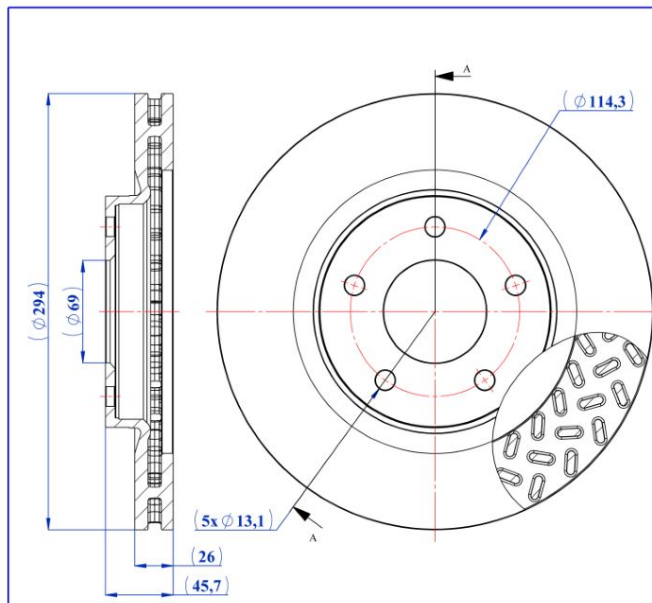
MODEL	START Y.	END Y.
AVALANCHE 2500 Crew Cab Pickup	2001/09	2006/12
EXPRESS 2500 Standard Cargo Van	2002/09	
EXPRESS 2500 Standard Passenger Van	2002/09	
SILVERADO 1500 Standard Cab Pickup	1997/09	2007/12
SUBURBAN 2500 SUV	2006/09	2013/12
SUBURBAN 2500 SUV	1999/09	2007/12



BRAKE DISC

- Front Axle
- Vented

- Safety
- Performance
- OEM Standarts
- AYD Quality

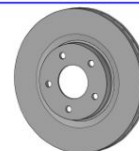


AYD NO
10-50402

MATERIAL
TYPE-1

WEIGHT
6,92 KG

BALANCING
100 %



OE:
5105514AA

10-50402

Technical Specifications:

Diameter (mm)	Height (mm)	Brake Disc Thickness (mm)	Min. Thickness (mm)	Centering Diameter (mm)	Bolt Hole Circle (mm)	Num. of Holes
294	45.7	26	24.4	69	114.3	5

CHRYSLER

MODEL	START Y.	END Y.
SEBRING (JS)	2006/09	2010/12
SEBRING Cabrio (JS)	2007/05	2010/12

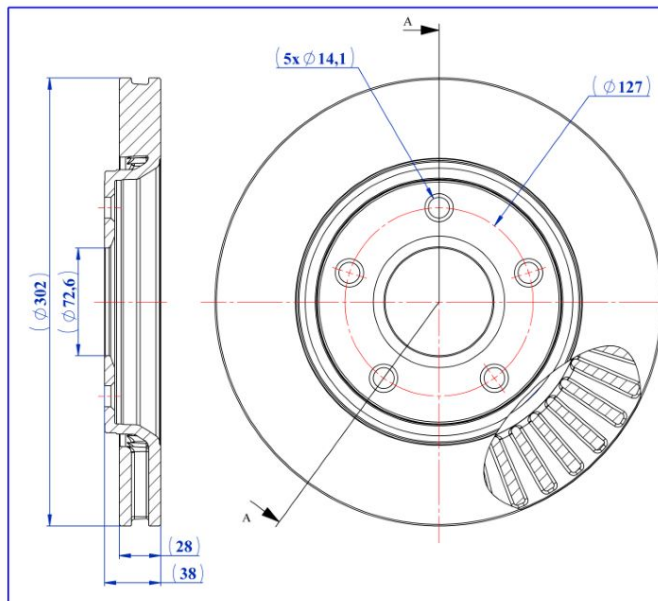


BRAKE DISC

- Front Axle
- Vented

- Safety
- Performance
- OEM Standarts
- AYD Quality

OE:
4721995AA
4779783AB
4721933AB



AYD[®]
AUTOMOTIVE INDUSTRY

AYD NO
10-50614

MATERIAL
TYPE-1

WEIGHT
7,92 KG

BALANCING
100 %



10-50614

Technical Specifications:

Diameter (mm)	Height (mm)	Brake Disc Thickness (mm)	Min. Thickness (mm)	Centering Diameter (mm)	Bolt Hole Circle (mm)	Num. of Holes
302	38	28	26	72.6	127	5

CHRYSLER

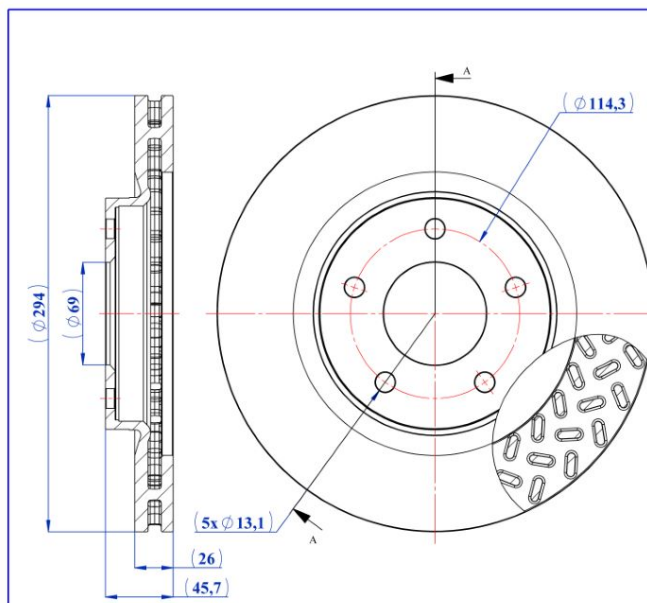
MODEL	START Y.	END Y.
GRAND VOYAGER V (RT)	2007/10	



BRAKE DISC

- Front Axle
- Vented

- Safety
- Performance
- OEM Standarts
- AYD Quality



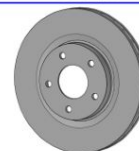
AYD[®]
AUTOMOTIVE INDUSTRY

AYD NO
10-50402

MATERIAL
TYPE-1

WEIGHT
6,92 KG

BALANCING
100 %



OE:
16 075 005 80

10-50402

Technical Specifications:

Diameter (mm)	Height (mm)	Brake Disc Thickness (mm)	Min. Thickness (mm)	Centering Diameter (mm)	Bolt Hole Circle (mm)	Num. of Holes
294	45.7	26	24.4	69	114.3	5

CITROËN

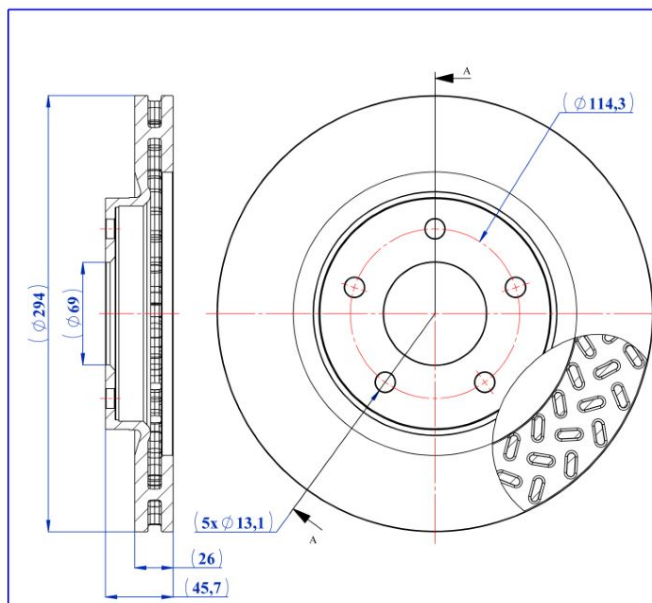
MODEL	START Y.	END Y.
C4 AIRCROSS	2010/08	



BRAKE DISC

- Front Axle
- Vented

- Safety
- Performance
- OEM Standarts
- AYD Quality



AYD
AUTOMOTIVE INDUSTRY

AYD NO
10-50402

MATERIAL
TYPE-1

WEIGHT
6,92 KG

BALANCING
100 %



OE:
5105514AA

10-50402

Technical Specifications:

Diameter (mm)	Height (mm)	Brake Disc Thickness (mm)	Min. Thickness (mm)	Centering Diameter (mm)	Bolt Hole Circle (mm)	Num. of Holes
294	45.7	26	24.4	69	114.3	5

DODGE

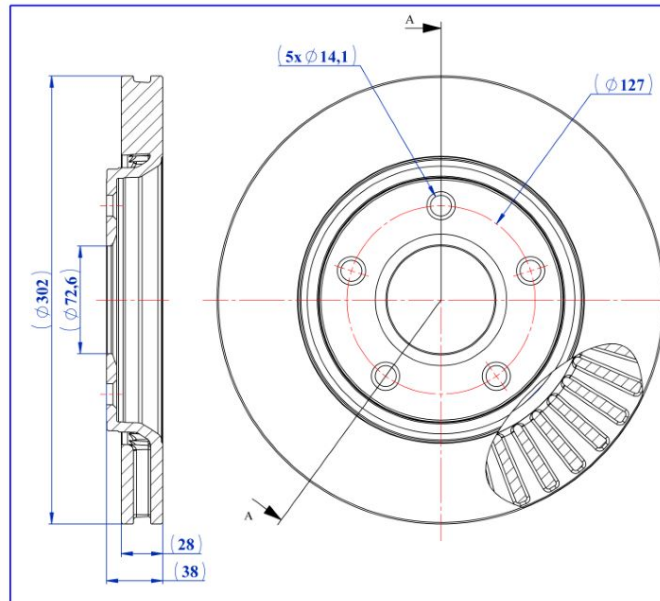
MODEL	START Y.	END Y.
AVENGER	2007/06	2014/12
CALIBER	2006/06	



BRAKE DISC

- Front Axle
- Vented

- Safety
- Performance
- OEM Standarts
- AYD Quality



AYD
AUTOMOTIVE INDUSTRY

AYD NO
10-50614

MATERIAL
TYPE-1

WEIGHT
7,92 KG

BALANCING
100 %



OE:
4721995AA

10-50614

Technical Specifications:

Diameter (mm)	Height (mm)	Brake Disc Thickness (mm)	Min. Thickness (mm)	Centering Diameter (mm)	Bolt Hole Circle (mm)	Num. of Holes
302	38	28	26	72.6	127	5

DODGE

MODEL	START Y.	END Y.
GRAND CARAVAN	2007/06	
JOURNEY	2008/06	



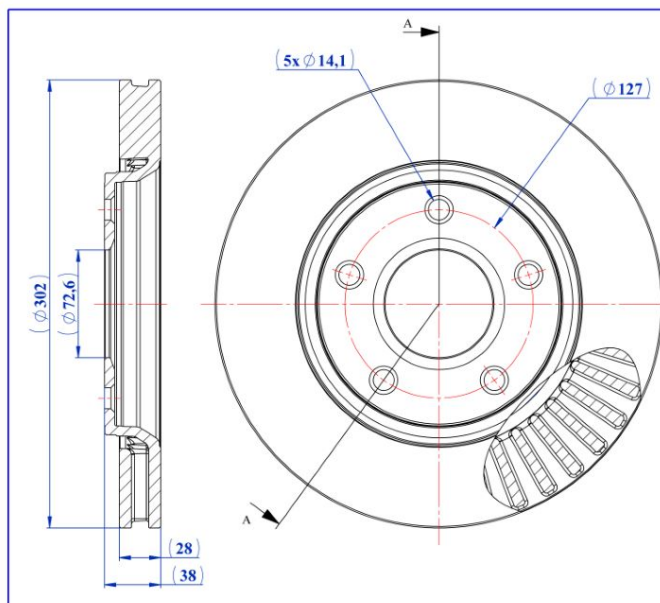
BRAKE DISC

- Front Axle
- Vented

- Safety
- Performance
- OEM Standarts
- AYD Quality

OE:
K04721995AA
K04721995AB

10-50614



AYD
AUTOMOTIVE INDUSTRY

AYD NO
10-50614

MATERIAL
TYPE-1

WEIGHT
7,92 KG

BALANCING
100 %



Technical Specifications:

Diameter (mm)	Height (mm)	Brake Disc Thickness (mm)	Min. Thickness (mm)	Centering Diameter (mm)	Bolt Hole Circle (mm)	Num. of Holes
302	38	28	26	72.6	127	5

FIAT

MODEL	START Y.	END Y.
FREEMONT (345_)	2011/08	

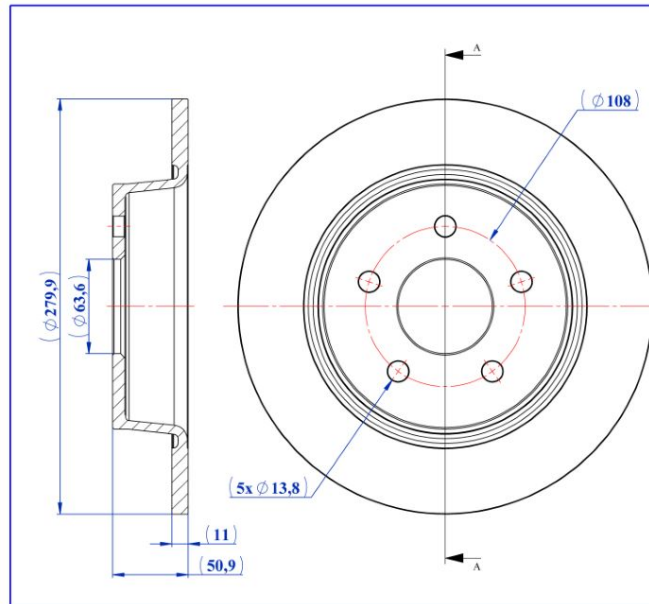


BRAKE DISC

- Rear Axle
- Solid

- Safety
- Performance
- OEM Standarts
- AYD Quality

OE:
AV612A315BA
1683383
AV612A3315BA



AYD[®]
AUTOMOTIVE INDUSTRY

AYD NO
10-50448

MATERIAL
TYPE-1

WEIGHT
4,94 KG

BALANCING
100 %



10-50448

Technical Specifications:

Diameter (mm)	Height (mm)	Brake Disc Thickness (mm)	Min. Thickness (mm)	Centering Diameter (mm)	Bolt Hole Circle (mm)	Num. of Holes
279.9	50.9	11	9	63.6	108	5

FORD

MODEL	START Y.	END Y.
C-MAX II (DXA/CB7, DXA/CEU)	2010/04	
C-MAX II Van	2010/10	
GRAND C-MAX (DXA/CB7, DXA/CEU)	2010/12	
GRAND C-MAX Van	2010/12	
KUGA II (DM2)	2012/05	
KUGA II VAN	2012/05	
TRANSIT CONNECT MPV	2013/02	
TRANSIT CONNECT V408	2013/02	

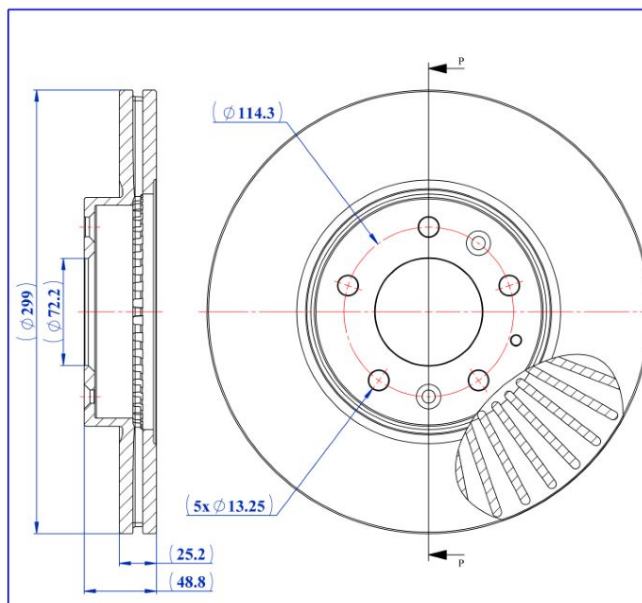


BRAKE DISC

- Front Axle
- Vented

- Safety
- Performance
- OEM Standarts
- AYD Quality

OE:
6U2Z1V125H
9E5Z1125C
9E5Z1125A



AYD
AUTOMOTIVE INDUSTRY

AYD NO
10-50588

MATERIAL
TYPE-1

WEIGHT
8,63 KG

BALANCING
100 %



10-50588

Technical Specifications:

Diameter (mm)	Height (mm)	Brake Disc Thickness (mm)	Min. Thickness (mm)	Centering Diameter (mm)	Bolt Hole Circle (mm)	Num. of Holes
299	48.8	25.2	23	72.2	114.3	5+3

FORD

MODEL	START Y.	END Y.
FUSION Sedan	2006/05	2012/12



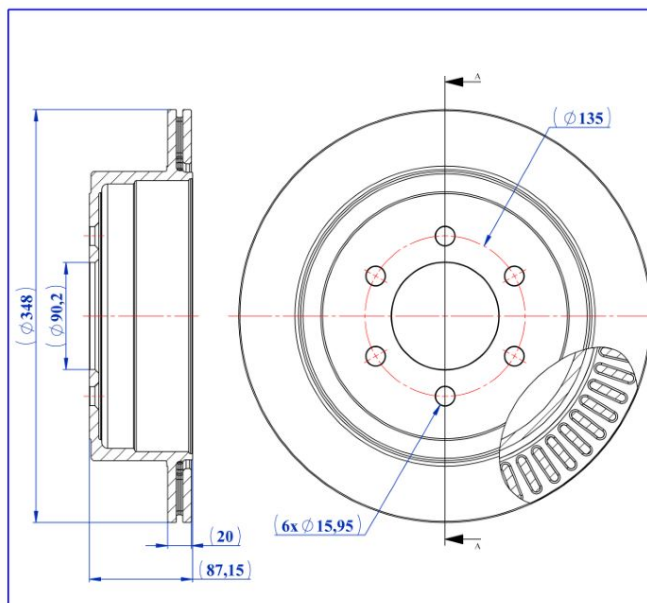
BRAKE DISC

- Rear Axle
- Vented

- Safety
- Performance
- OEM Standarts
- AYD Quality

OE:
4U2Z1V125DB

10-50582



AYD[®]
AUTOMOTIVE INDUSTRY

AYD NO
10-50582

MATERIAL
TYPE-1

WEIGHT
11,22 KG

BALANCING
100 %



Technical Specifications:

Diameter (mm)	Height (mm)	Brake Disc Thickness (mm)	Min. Thickness (mm)	Centering Diameter (mm)	Bolt Hole Circle (mm)	Num. of Holes
348	87.15	20	18.5	90.2	135	6

FORD USA

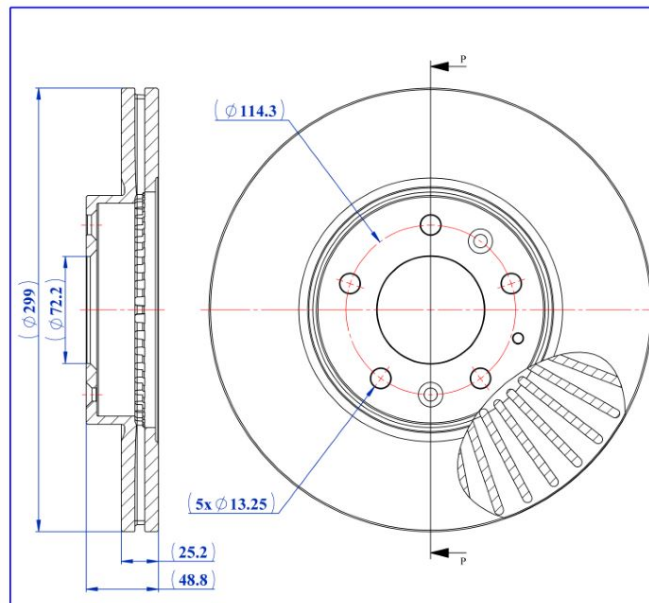
MODEL	START Y.	END Y.
F-150	2007/10	
F-150	2003/10	2007/12



BRAKE DISC

- Front Axle
- Vented

- Safety
- Performance
- OEM Standarts
- AYD Quality



AYD NO
10-50588

MATERIAL
TYPE-1

WEIGHT
8,63 KG

BALANCING
100 %



OE:
6U2Z1V125H

10-50588

Technical Specifications:

Diameter (mm)	Height (mm)	Brake Disc Thickness (mm)	Min. Thickness (mm)	Centering Diameter (mm)	Bolt Hole Circle (mm)	Num. of Holes
299	48.8	25.2	23	72.2	114.3	5+3

FORD USA

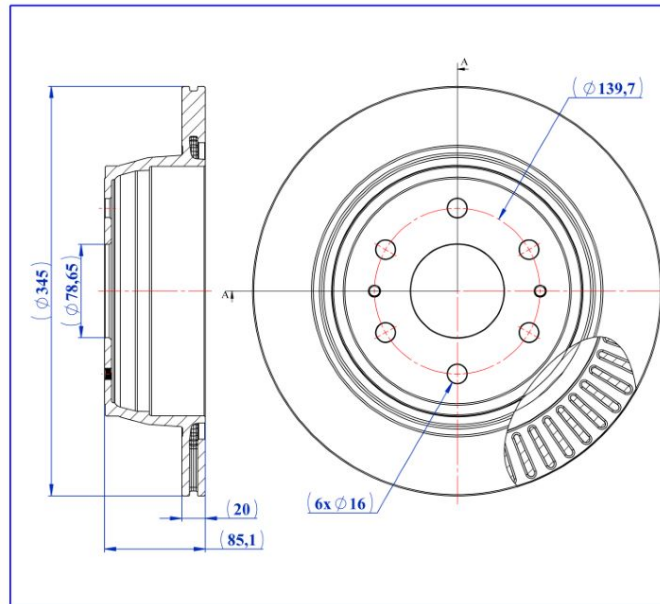
MODEL	START Y.	END Y.
FUSION	2005/06	



BRAKE DISC

- Rear Axle
- Vented

- Safety
- Performance
- OEM Standarts
- AYD Quality



AYD NO
10-50550

MATERIAL
TYPE-1

WEIGHT
9,80 KG

BALANCING
100 %



OE:
22968231

10-50550

Technical Specifications:

Diameter (mm)	Height (mm)	Brake Disc Thickness (mm)	Min. Thickness (mm)	Centering Diameter (mm)	Bolt Hole Circle (mm)	Num. of Holes
345	85.1	20	18.5	78.65	139.7	6+2

GMC

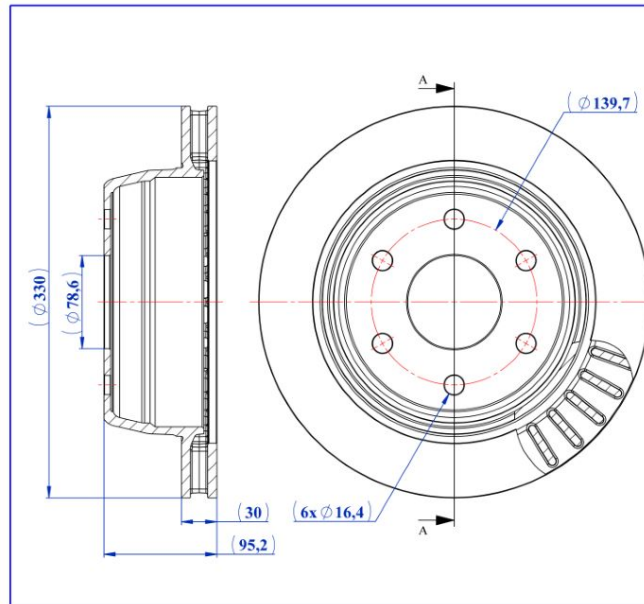
MODEL	START Y.	END Y.
SIERRA 1500 Crew Cab Pickup	2007/01	2013/12
SIERRA 1500 Extended Cab Pickup	2007/01	2013/12
SIERRA 1500 Standard Cab Pickup	2007/01	2013/12
YUKON (GMT900)	2006/09	2014/07
YUKON (K2UG)	2014/07	
YUKON XL 1500	2006/09	2014/07



BRAKE DISC

- Rear Axle
- Vented

- Safety
- Performance
- OEM Standarts
- AYD Quality



AYD
AUTOMOTIVE INDUSTRY

AYD NO
10-50551

MATERIAL
TYPE-1

WEIGHT
9,86 KG

BALANCING
100 %



OE:
25757802

10-50551

Technical Specifications:

Diameter (mm)	Height (mm)	Brake Disc Thickness (mm)	Min. Thickness (mm)	Centering Diameter (mm)	Bolt Hole Circle (mm)	Num. of Holes
330	95.2	30	28.5	78.6	139.7	6

GMC

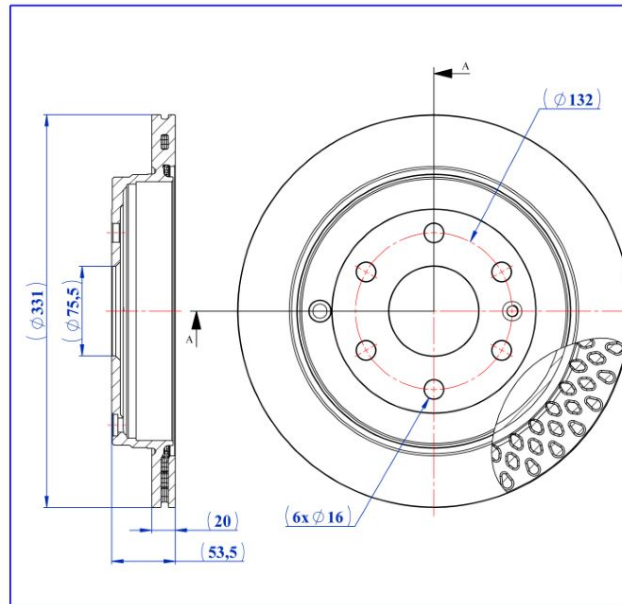
MODEL	START Y.	END Y.
SAVANA 1500 Standard Cargo Van	2002/09	
SAVANA 1500 Standard Passenger Van	2002/09	
YUKON	1999/09	2006/12
YUKON XL 1500	1999/09	2006/12
YUKON XL 2500	1999/09	2006/12



BRAKE DISC

- Rear Axle
- Vented

- Safety
- Performance
- OEM Standarts
- AYD Quality



AYD NO
10-50592

MATERIAL
TYPE-1

WEIGHT
7,95 KG

BALANCING
100 %



OE:
22768973

10-50592

Technical Specifications:

Diameter (mm)	Height (mm)	Brake Disc Thickness (mm)	Min. Thickness (mm)	Centering Diameter (mm)	Bolt Hole Circle (mm)	Num. of Holes
331	53.5	20	18.4	75.5	132	6+2

GMC

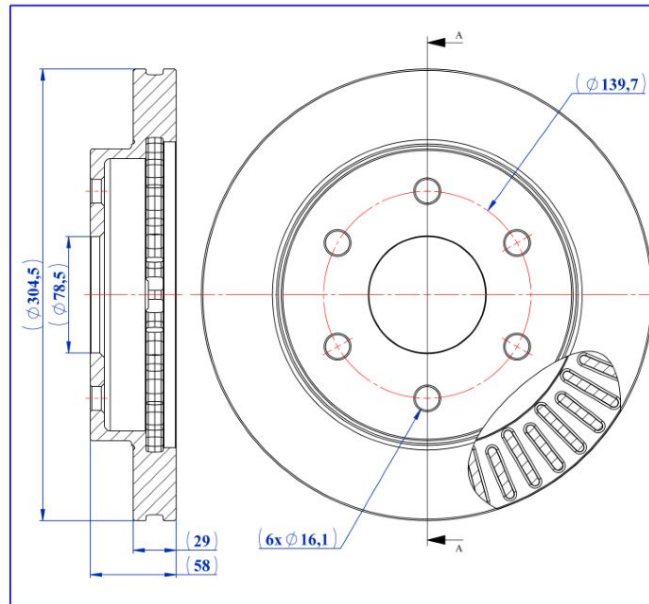
MODEL	START Y.	END Y.
ACADIA	2006/01	



BRAKE DISC

- Front Axle
- Vented

- Safety
- Performance
- OEM Standarts
- AYD Quality



AYD
AUTOMOTIVE INDUSTRY

AYD NO
10-50613

MATERIAL
TYPE-1

WEIGHT
8,64 KG

BALANCING
100 %



OE:
19210603

10-50613

Technical Specifications:

Diameter (mm)	Height (mm)	Brake Disc Thickness (mm)	Min. Thickness (mm)	Centering Diameter (mm)	Bolt Hole Circle (mm)	Num. of Holes
304.5	58	29	27.2	78.5	139.7	6

GMC

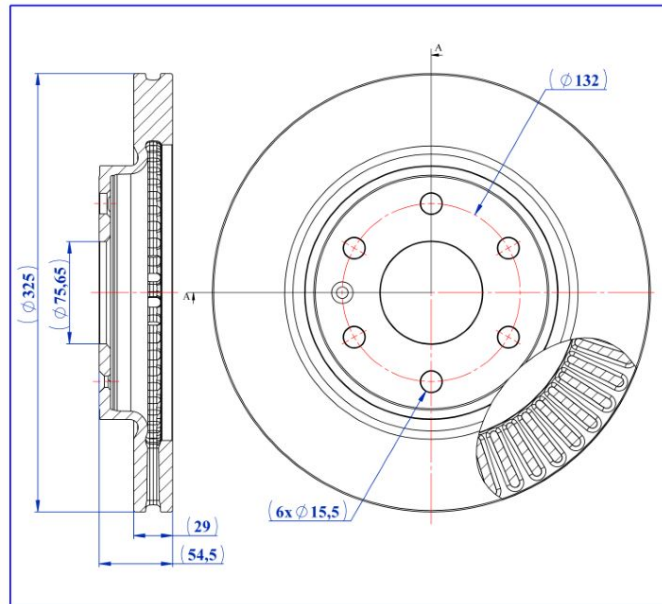
MODEL	START Y.	END Y.
SAVANA 1500 Standard Passenger Van	2002/09	
SAVANA 2500 Extended Cargo Van	2002/09	
SAVANA 2500 Extended Passenger Van	2002/09	
SAVANA 2500 Standard Cargo Van	2002/09	
SAVANA 2500 Standard Passenger Van	2002/09	
SIERRA 1500 Extended Cab Pickup	1997/09	2007/12
SIERRA 1500 Standard Cab Pickup	1997/09	2007/12
YUKON	1999/09	2006/12
YUKON XL 1500	1999/09	2006/12



BRAKE DISC

- Front Axle
- Rear Axle
- Vented

- Safety
- Performance
- OEM Standarts
- AYD Quality



AYD NO
10-50615

MATERIAL
TYPE-1

WEIGHT
9,68 KG

BALANCING
100 %



OE:
22955495

10-50615

Technical Specifications:

Diameter (mm)	Height (mm)	Brake Disc Thickness (mm)	Min. Thickness (mm)	Centering Diameter (mm)	Bolt Hole Circle (mm)	Num. of Holes
325	54.5	29	27.5	75.65	132	6+1

GMC

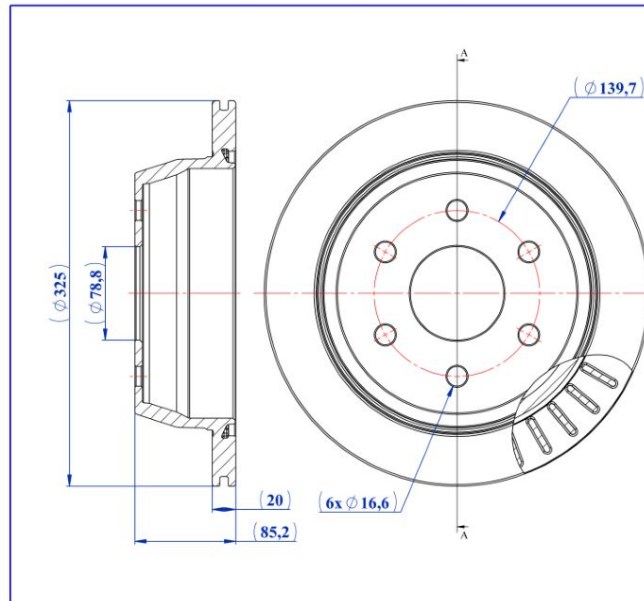
MODEL	START Y.	END Y.
ACADIA	2006/01	



BRAKE DISC

- Rear Axle
- Vented

- Safety
- Performance
- OEM Standarts
- AYD Quality



AYD NO
10-50629

MATERIAL
TYPE-1

WEIGHT
9,15 KG

BALANCING
100 %



OE:
19211496

10-50629

Technical Specifications:

Diameter (mm)	Height (mm)	Brake Disc Thickness (mm)	Min. Thickness (mm)	Centering Diameter (mm)	Bolt Hole Circle (mm)	Num. of Holes
325	85.2	20	18.5	78.8	139.7	6

GMC

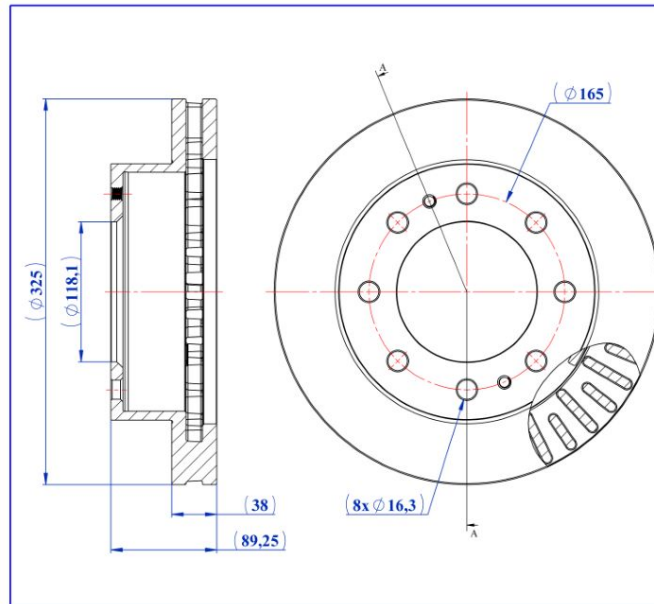
MODEL	START Y.	END Y.
SIERRA 1500 Extended Cab Pickup	1997/09	2007/12
SIERRA 1500 Standard Cab Pickup	1997/09	2007/12



BRAKE DISC

- Front Axle
- Vented

- Safety
- Performance
- OEM Standarts
- AYD Quality

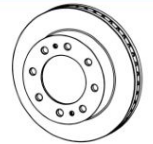


AYD NO
10-50630

MATERIAL
TYPE-1

WEIGHT
12,5 KG

BALANCING
100 %



OE:
15942198

10-50630

Technical Specifications:

Diameter (mm)	Height (mm)	Brake Disc Thickness (mm)	Min. Thickness (mm)	Centering Diameter (mm)	Bolt Hole Circle (mm)	Num. of Holes
325	89.25	38	36.5	118.1	165	8+2

GMC

MODEL	START Y.	END Y.
SAVANA 2500 Extended Cargo Van	2002/09	
SAVANA 2500 Extended Passenger Van	2002/09	
SAVANA 2500 Standard Cargo Van	2002/09	
SAVANA 2500 Standard Passenger Van	2002/09	
YUKON XL 2500	2006/09	2014/12
YUKON XL 2500	1999/09	2006/12

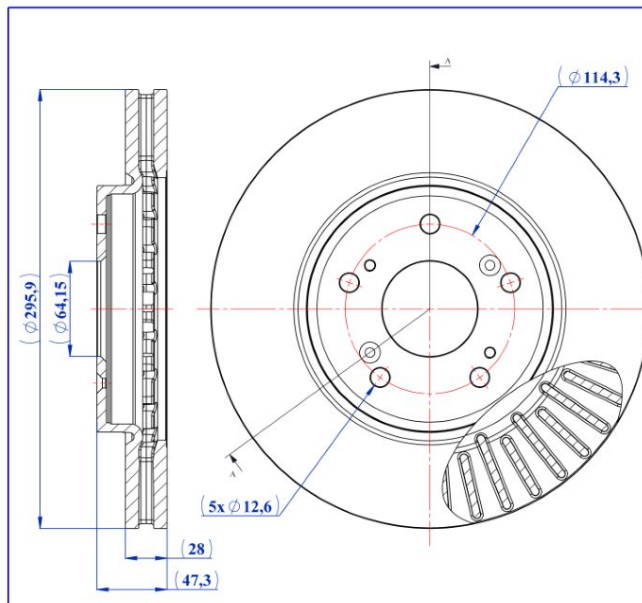


BRAKE DISC

- Front Axle
- Vented

- Safety
- Performance
- OEM Standarts
- AYD Quality

OE:
45251SWWG01
45251SWE000
45251SWAA20

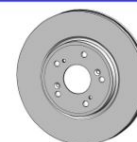


AYD NO
10-50308

MATERIAL
TYPE-1

WEIGHT
7,88 KG

BALANCING
100 %



10-50308

Technical Specifications:

Diameter (mm)	Height (mm)	Brake Disc Thickness (mm)	Min. Thickness (mm)	Centering Diameter (mm)	Bolt Hole Circle (mm)	Num. of Holes
295.9	47.3	28	26	64.15	114.3	5+4

HONDA

MODEL	START Y.	END Y.
CR-V III (RE_)	2006/06	
CR-V IV (RM_)	2012/01	

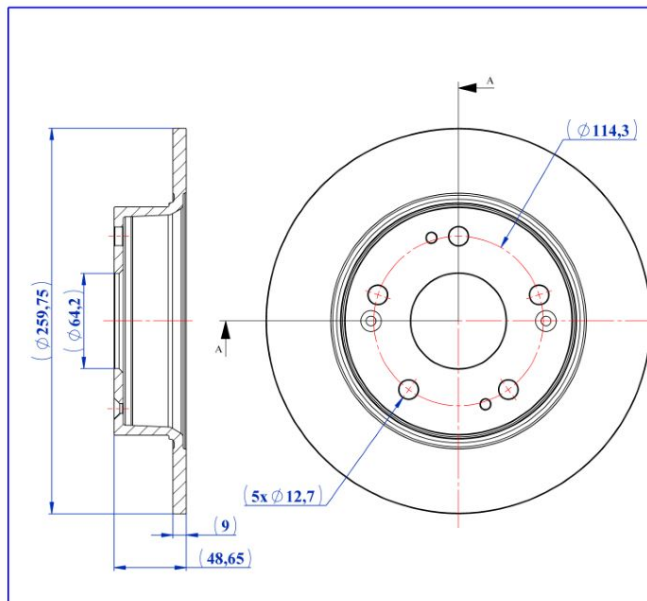


BRAKE DISC

- Rear Axle
- Solid

- Safety
- Performance
- OEM Standarts
- AYD Quality

OE:
42510SDAA00
42510SEAE50
42510SDG000



AYD
AUTOMOTIVE INDUSTRY

AYD NO
10-50468

MATERIAL
TYPE-1

WEIGHT
3,55 KG

BALANCING
100 %



10-50468

Technical Specifications:

Diameter (mm)	Height (mm)	Brake Disc Thickness (mm)	Min. Thickness (mm)	Centering Diameter (mm)	Bolt Hole Circle (mm)	Num. of Holes
259.75	48.65	9	8	64.2	114.3	5+4

HONDA

MODEL	START Y.	END Y.
ACCORD VII (CL, CN)	2003/01	2012/09
ACCORD VII (CM)	2002/09	2008/05

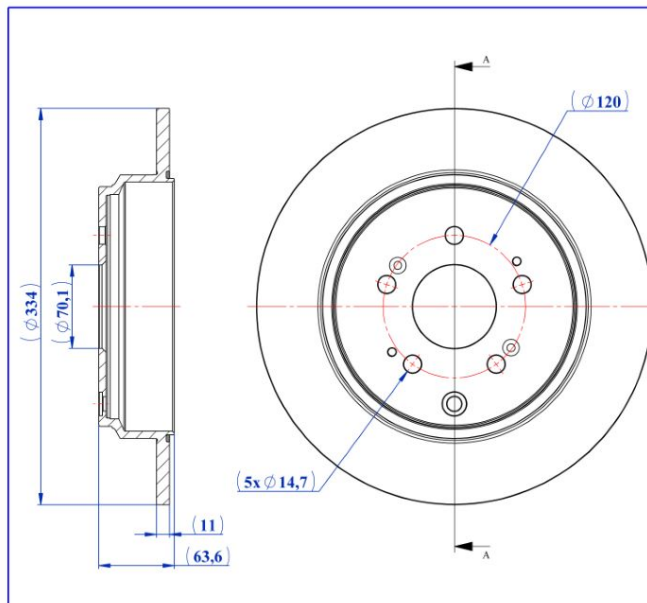


BRAKE DISC

- Rear Axle
- Solid

- Safety
- Performance
- OEM Standarts
- AYD Quality

OE:
42510TK8A01
42510TK8A00
42510SZAA10



AYD
AUTOMOTIVE INDUSTRY

AYD NO
10-50563

MATERIAL
TYPE-1

WEIGHT
6,80 KG

BALANCING
100 %



10-50563

Technical Specifications:

Diameter (mm)	Height (mm)	Brake Disc Thickness (mm)	Min. Thickness (mm)	Centering Diameter (mm)	Bolt Hole Circle (mm)	Num. of Holes
334	63.6	11	9	70.1	120	5+5

HONDA

MODEL	START Y.	END Y.
PILOT	2008/09	

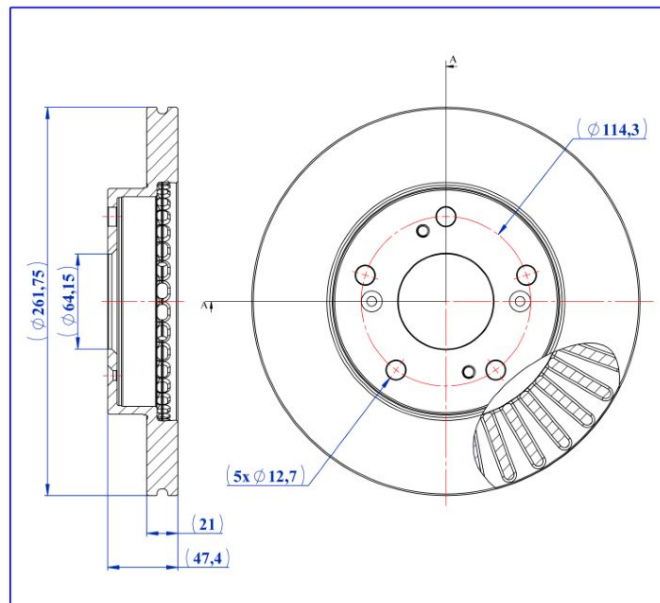


BRAKE DISC

- Front Axle
- Vented

- Safety
- Performance
- OEM Standarts
- AYD Quality

OE:
45251SNA010
45251SNA000
45251S6M000

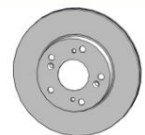


AYD NO
10-50590

MATERIAL
TYPE-1

WEIGHT
5,06 KG

BALANCING
100 %



10-50590

Technical Specifications:

Diameter (mm)	Height (mm)	Brake Disc Thickness (mm)	Min. Thickness (mm)	Centering Diameter (mm)	Bolt Hole Circle (mm)	Num. of Holes
261.75	47.4	21	19	64.15	114.3	5+4

HONDA

MODEL	START Y.	END Y.
CIVIC VII Hatchback (EU, EP, EV)	1999/03	2006/02
CIVIC VIII Sedan (FD, FA)	2005/09	
CR-Z (ZF)	2010/06	



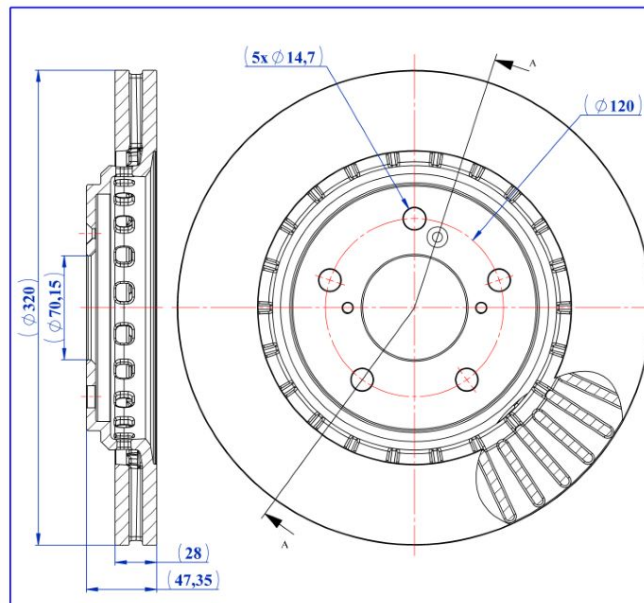
BRAKE DISC

- Front Axle
- Vented

- Safety
- Performance
- OEM Standarts
- AYD Quality

OE:
45251TK8A02
45251TK8A01

10-50608



AYD[®]
AUTOMOTIVE INDUSTRY

AYD NO
10-50608

MATERIAL
TYPE-1

WEIGHT
9,33 KG

BALANCING
100 %



Technical Specifications:

Diameter (mm)	Height (mm)	Brake Disc Thickness (mm)	Min. Thickness (mm)	Centering Diameter (mm)	Bolt Hole Circle (mm)	Num. of Holes
320	47.35	28	26	70.15	120	5+3

HONDA

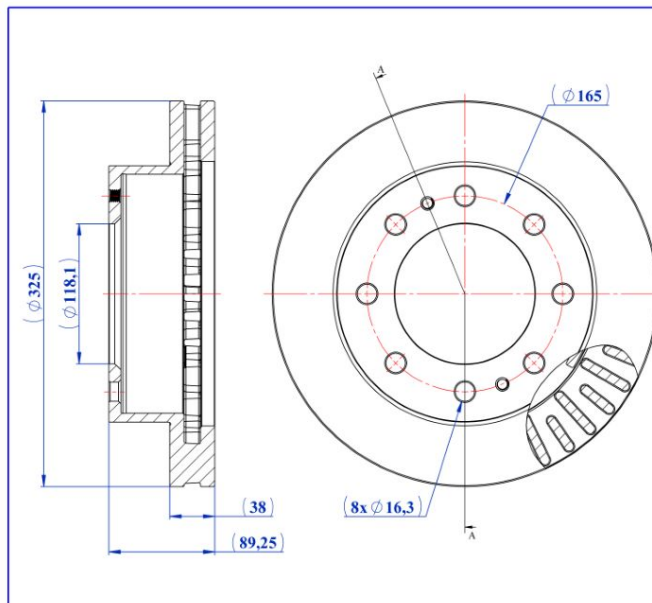
MODEL	START Y.	END Y.
ODYSSEY	2017/09	
ODYSSEY (RC1, RC2, RC4)	2013/12	
PASSPORT SUV (YF_)	2019/03	
PILOT	2015/07	
RIDGELINE	2016/07	



BRAKE DISC

- Front Axle
- Vented

- Safety
- Performance
- OEM Standarts
- AYD Quality

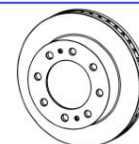


AYD NO
10-50630

MATERIAL
TYPE-1

WEIGHT
12,5 KG

BALANCING
100 %



OE:
18060654

10-50630

Technical Specifications:

Diameter (mm)	Height (mm)	Brake Disc Thickness (mm)	Min. Thickness (mm)	Centering Diameter (mm)	Bolt Hole Circle (mm)	Num. of Holes
325	89.25	38	36.5	118.1	165	8+2

HUMMER

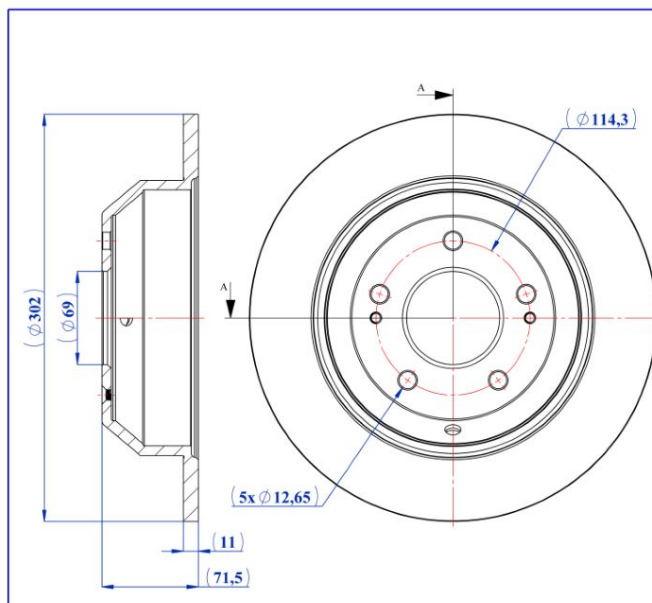
MODEL	START Y.	END Y.
H2 Crew Cab Pickup	2004/09	2009/12
HUMMER H2	2002/08	



BRAKE DISC

- Rear Axle
- Solid

- Safety
- Performance
- OEM Standarts
- AYD Quality



AYD
AUTOMOTIVE INDUSTRY

AYD NO
10-50455

MATERIAL
TYPE-1

WEIGHT
5,97 KG

BALANCING
100 %



OE:
584112W010

10-50455

Technical Specifications:

Diameter (mm)	Height (mm)	Brake Disc Thickness (mm)	Min. Thickness (mm)	Centering Diameter (mm)	Bolt Hole Circle (mm)	Num. of Holes
302	71.5	11	9.4	69	114.3	5+3

HYUNDAI

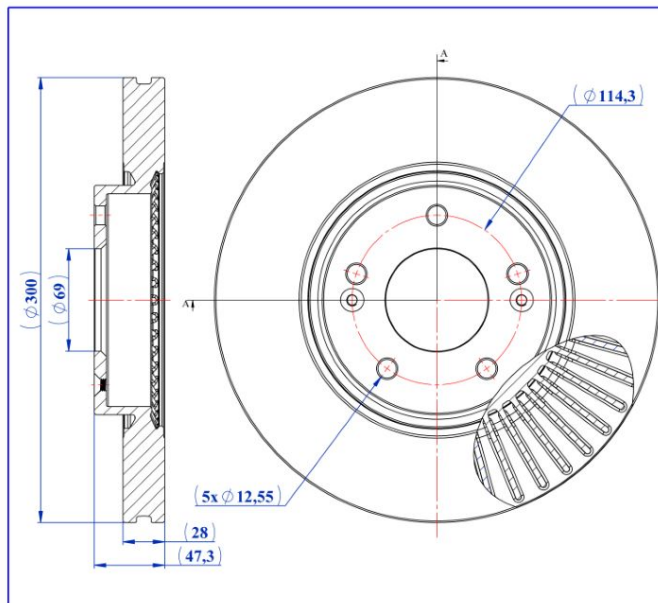
MODEL	START Y.	END Y.
GRAND SANTA FÉ	2013/01	
SANTA FÉ II (CM)	2005/10	2015/03
SANTA FÉ III (DM, DMA)	2012/09	



BRAKE DISC

- Front Axle
- Vented

- Safety
- Performance
- OEM Standarts
- AYD Quality

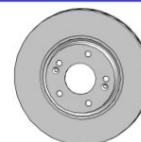


AYD NO
10-50578

MATERIAL
TYPE-1

WEIGHT
8,71 KG

BALANCING
100 %



OE:
517123K110

10-50578

Technical Specifications:

Diameter (mm)	Height (mm)	Brake Disc Thickness (mm)	Min. Thickness (mm)	Centering Diameter (mm)	Bolt Hole Circle (mm)	Num. of Holes
300	47.3	28	26.4	69	114.3	5+2

HYUNDAI

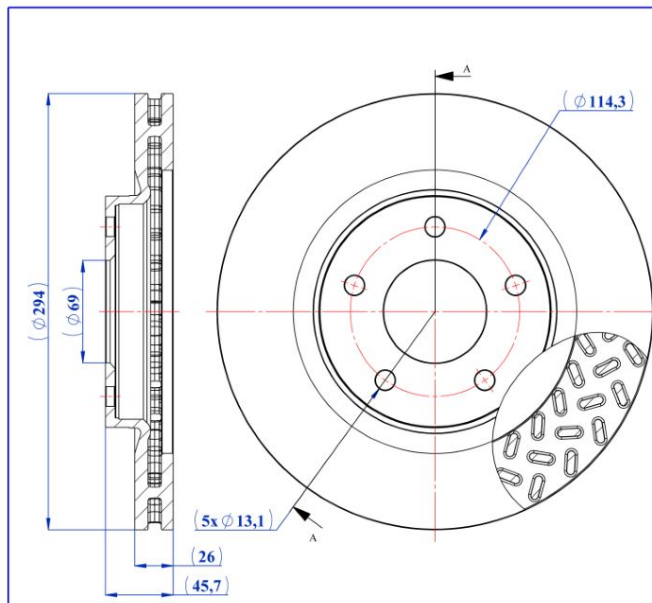
MODEL	START Y.	END Y.
i40 I (VF)	2012/03	
i40 I CW (VF)	2011/07	
ix35 (LM, EL, ELH)	2009/08	
SONATA V (NF)	2004/12	2012/11
TUCSON (JM)	2004/06	



BRAKE DISC

- Front Axle
- Vented

- Safety
- Performance
- OEM Standarts
- AYD Quality

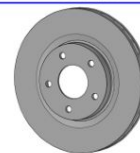


AYD NO
10-50402

MATERIAL
TYPE-1

WEIGHT
6,92 KG

BALANCING
100 %



OE:
5105514AA

10-50402

Technical Specifications:

Diameter (mm)	Height (mm)	Brake Disc Thickness (mm)	Min. Thickness (mm)	Centering Diameter (mm)	Bolt Hole Circle (mm)	Num. of Holes
294	45.7	26	24.4	69	114.3	5

JEEP

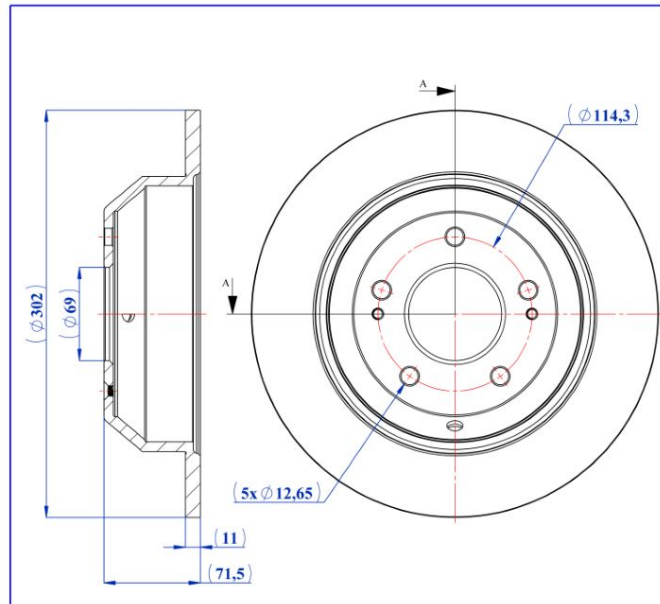
MODEL	START Y.	END Y.
COMPASS (MK49)	2006/08	
PATRIOT (MK74)	2007/02	2017/12



BRAKE DISC

- Rear Axle
- Solid

- Safety
- Performance
- OEM Standarts
- AYD Quality



AYD[®]
AUTOMOTIVE INDUSTRY

AYD NO
10-50455

MATERIAL
TYPE-1

WEIGHT
5,97 KG

BALANCING
100 %



OE:
584112P000

10-50455

Technical Specifications:

Diameter (mm)	Height (mm)	Brake Disc Thickness (mm)	Min. Thickness (mm)	Centering Diameter (mm)	Bolt Hole Circle (mm)	Num. of Holes
302	71.5	11	9.4	69	114.3	5+3

KIA

MODEL	START Y.	END Y.
SORENTO II (XM)	2009/09	



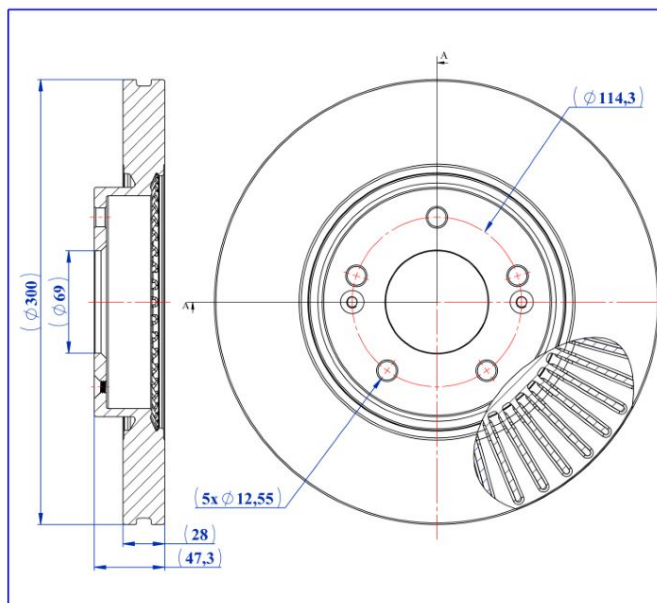
BRAKE DISC

- Front Axle
- Vented

- Safety
- Performance
- OEM Standarts
- AYD Quality

OE:
517123K100
517123K110

10-50578



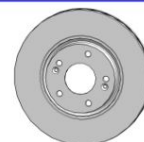
AYD[®]
AUTOMOTIVE INDUSTRY

AYD NO
10-50578

MATERIAL
TYPE-1

WEIGHT
8,71 KG

BALANCING
100 %



Technical Specifications:

Diameter (mm)	Height (mm)	Brake Disc Thickness (mm)	Min. Thickness (mm)	Centering Diameter (mm)	Bolt Hole Circle (mm)	Num. of Holes
300	47.3	28	26.4	69	114.3	5+2

KIA

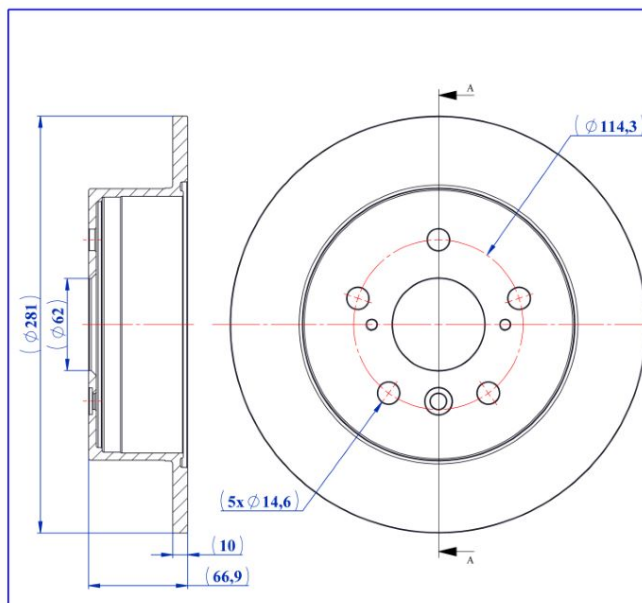
MODEL	START Y.	END Y.
CARENS IV	2013/03	
OPTIMA (FSGDS6B)	2010/01	
OPTIMA (JF)	2015/09	
OPTIMA Sportswagon (JF)	2016/09	
SPORTAGE III (SL)	2009/09	



BRAKE DISC

- Rear Axle
- Solid

- Safety
- Performance
- OEM Standarts
- AYD Quality



AYD[®]
AUTOMOTIVE INDUSTRY

AYD NO
10-50564

MATERIAL
TYPE-1

WEIGHT
4,60 KG

BALANCING
100 %



OE:
4243133150

10-50564

Technical Specifications:

Diameter (mm)	Height (mm)	Brake Disc Thickness (mm)	Min. Thickness (mm)	Centering Diameter (mm)	Bolt Hole Circle (mm)	Num. of Holes
281	66.9	10	8.5	62	114.3	5+3

LEXUS

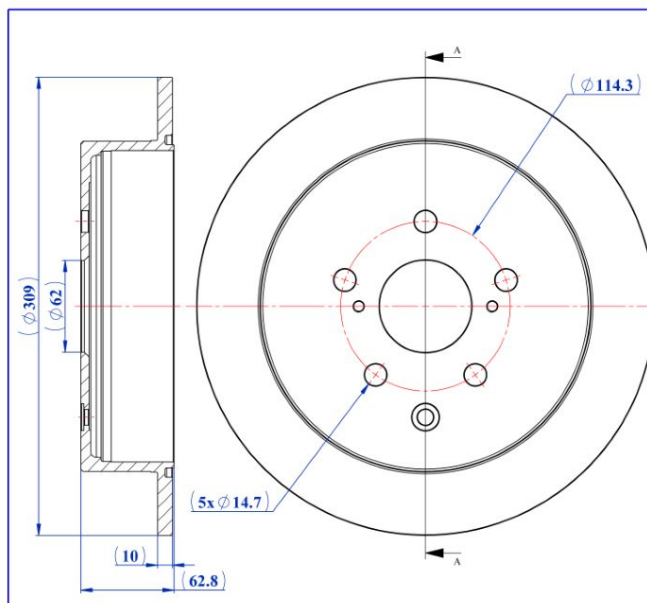
MODEL	START Y.	END Y.
ES (_V6_)	2012/06	2018/06



BRAKE DISC

- Rear Axle
- Solid

- Safety
- Performance
- OEM Standarts
- AYD Quality



AYD
AUTOMOTIVE INDUSTRY

AYD NO
10-50565

MATERIAL
TYPE-1

WEIGHT
5,79 KG

BALANCING
100 %



OE:
4243148070

10-50565

Technical Specifications:

Diameter (mm)	Height (mm)	Brake Disc Thickness (mm)	Min. Thickness (mm)	Centering Diameter (mm)	Bolt Hole Circle (mm)	Num. of Holes
309	62.8	10	8.5	62	114.3	5+3

LEXUS

MODEL	START Y.	END Y.
RX (_L1_)	2008/12	2015/12



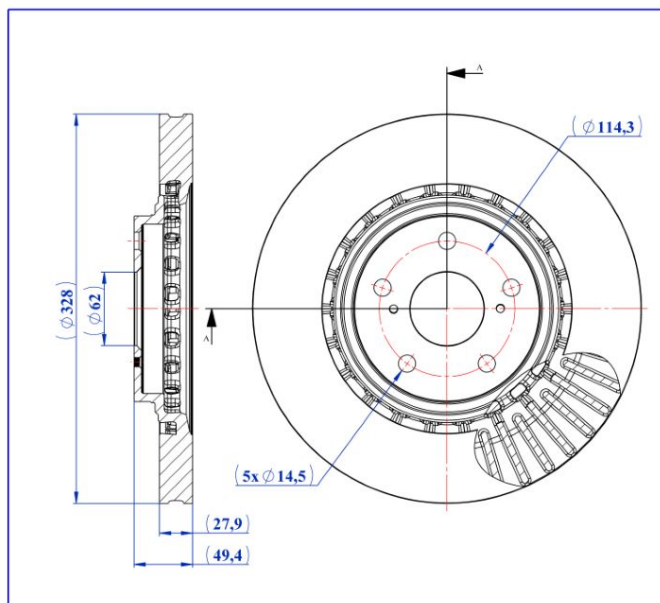
BRAKE DISC

- Front Axle
- Vented

- Safety
- Performance
- OEM Standarts
- AYD Quality

OE:
435120E030
4351248110

10-50581



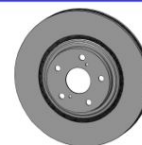
AYD
AUTOMOTIVE INDUSTRY

AYD NO
10-50581

MATERIAL
TYPE-1

WEIGHT
9,19 KG

BALANCING
100 %



Technical Specifications:

Diameter (mm)	Height (mm)	Brake Disc Thickness (mm)	Min. Thickness (mm)	Centering Diameter (mm)	Bolt Hole Circle (mm)	Num. of Holes
328	49.4	27.9	25	62	114.3	5+2

LEXUS

MODEL	START Y.	END Y.
NX (_Z1_)	2014/07	
RX (_L1_)	2008/12	2015/12



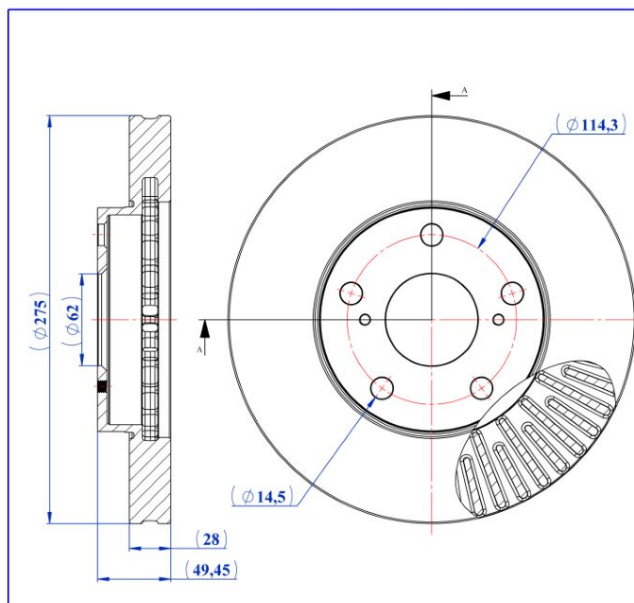
BRAKE DISC

- Front Axle
- Vented

- Safety
- Performance
- OEM Standarts
- AYD Quality

OE:
4351233060
4351233040

10-50587



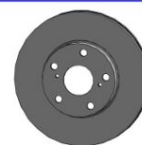
AYD[®]
AUTOMOTIVE INDUSTRY

AYD NO
10-50587

MATERIAL
TYPE-1

WEIGHT
7,09 KG

BALANCING
100 %



Technical Specifications:

Diameter (mm)	Height (mm)	Brake Disc Thickness (mm)	Min. Thickness (mm)	Centering Diameter (mm)	Bolt Hole Circle (mm)	Num. of Holes
275	49.45	28	26	62	114.3	5+2

LEXUS

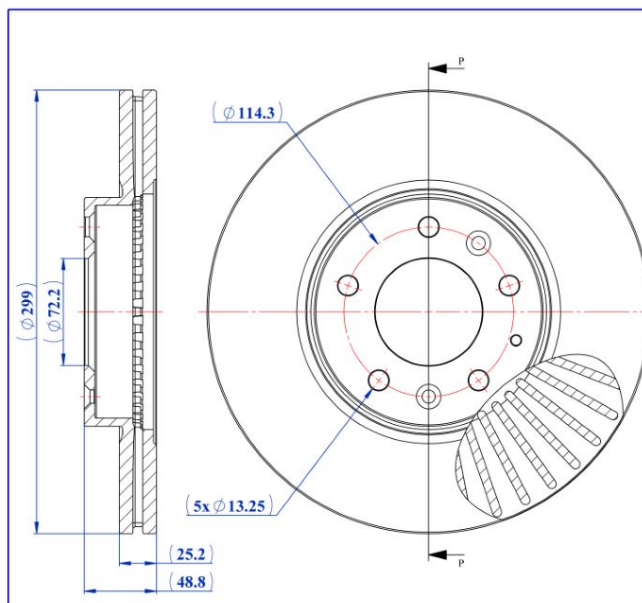
MODEL	START Y.	END Y.
ES (VCV10_, VZV21_)	1989/09	1997/12



BRAKE DISC

- Front Axle
- Vented

- Safety
- Performance
- OEM Standarts
- AYD Quality



AYD
AUTOMOTIVE INDUSTRY

AYD NO
10-50588

MATERIAL
TYPE-1

WEIGHT
8,63 KG

BALANCING
100 %



OE:
9E5Z1125C

10-50588

Technical Specifications:

Diameter (mm)	Height (mm)	Brake Disc Thickness (mm)	Min. Thickness (mm)	Centering Diameter (mm)	Bolt Hole Circle (mm)	Num. of Holes
299	48.8	25.2	23	72.2	114.3	5+3

LINCOLN

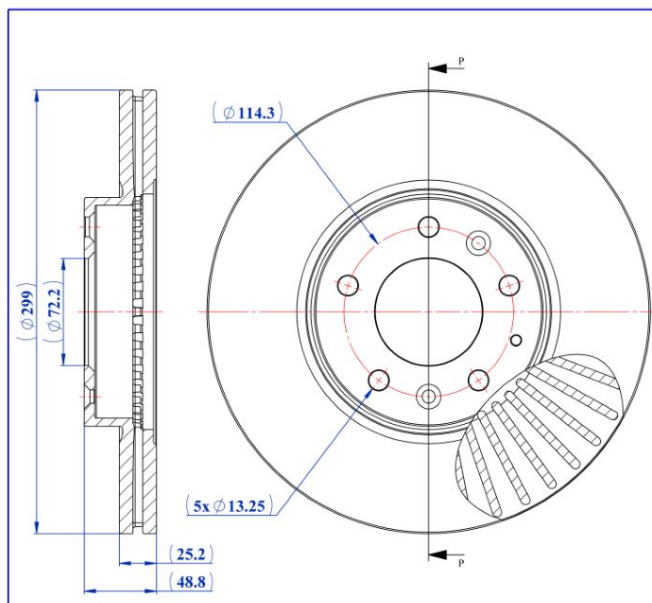
MODEL	START Y.	END Y.
MKZ	2006/04	2012/12
ZEPHYR/MKZ	2004/09	



BRAKE DISC

- Front Axle
- Vented

- Safety
- Performance
- OEM Standarts
- AYD Quality



AYD NO
10-50588

MATERIAL
TYPE-1

WEIGHT
8,63 KG

BALANCING
100 %



OE:
9E5Z1125C

10-50588

Technical Specifications:

Diameter (mm)	Height (mm)	Brake Disc Thickness (mm)	Min. Thickness (mm)	Centering Diameter (mm)	Bolt Hole Circle (mm)	Num. of Holes
299	48.8	25.2	23	72.2	114.3	5+3

MERCURY

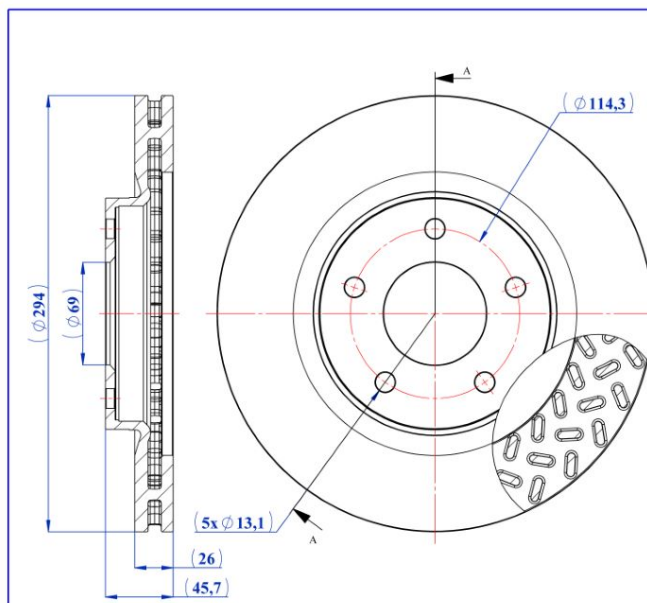
MODEL	START Y.	END Y.
MILAN Sedan	2005/09	2011/12



BRAKE DISC

- Front Axle
- Vented

- Safety
- Performance
- OEM Standarts
- AYD Quality



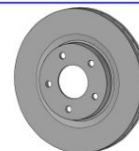
AYD
AUTOMOTIVE INDUSTRY

AYD NO
10-50402

MATERIAL
TYPE-1

WEIGHT
6,92 KG

BALANCING
100 %



OE:
4615A178

10-50402

Technical Specifications:

Diameter (mm)	Height (mm)	Brake Disc Thickness (mm)	Min. Thickness (mm)	Centering Diameter (mm)	Bolt Hole Circle (mm)	Num. of Holes
294	45.7	26	24.4	69	114.3	5

MITSUBISHI

MODEL	START Y.	END Y.
ASX III (GA_W_)	2009/11	
OUTLANDER III (GG_W, GF_W, ZJ, ZL, ZK)	2010/11	

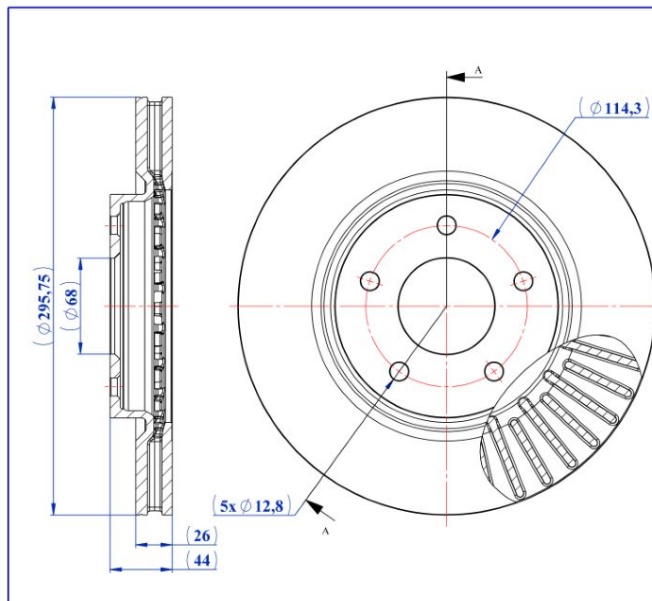


BRAKE DISC

- Front Axle
- Vented

- Safety
- Performance
- OEM Standarts
- AYD Quality

OE:
402064EA0A
402064EA0B
402064BT0B



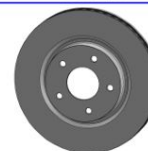
AYD[®]
AUTOMOTIVE INDUSTRY

AYD NO
10-50353

MATERIAL
TYPE-1

WEIGHT
7,42 KG

BALANCING
100 %



10-50353

Technical Specifications:

Diameter (mm)	Height (mm)	Brake Disc Thickness (mm)	Min. Thickness (mm)	Centering Diameter (mm)	Bolt Hole Circle (mm)	Num. of Holes
295.75	44	26	24	68	114.3	5

NISSAN

MODEL	START Y.	END Y.
LEAF (ZE0)	2010/11	
QASHQAI II SUV (J11, J11_)	2013/11	
X-TRAIL (T32_)	2013/10	

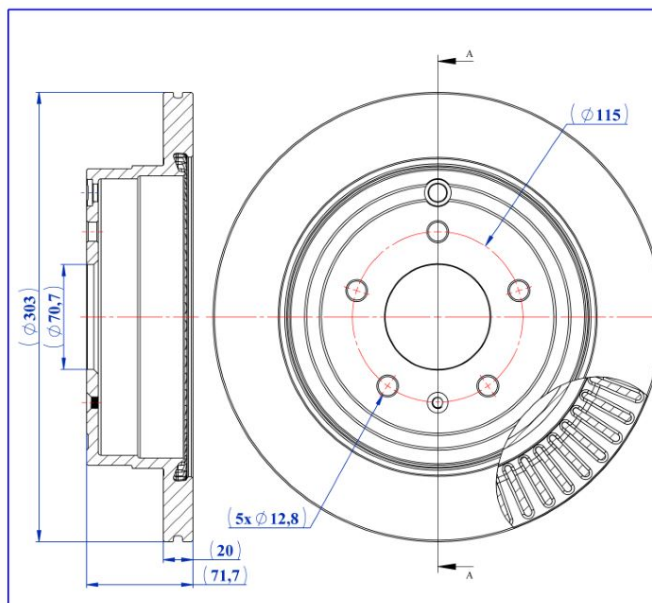


BRAKE DISC

- Rear Axle
- Vented

- Safety
- Performance
- OEM Standarts
- AYD Quality

OE:
4801857
4804637



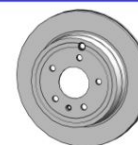
AYD[®]
AUTOMOTIVE INDUSTRY

AYD NO
10-50536

MATERIAL
TYPE-1

WEIGHT
7,46 KG

BALANCING
100 %



10-50536

Technical Specifications:

Diameter (mm)	Height (mm)	Brake Disc Thickness (mm)	Min. Thickness (mm)	Centering Diameter (mm)	Bolt Hole Circle (mm)	Num. of Holes
303	71.7	20	18.4	70.7	115	5+2

OPEL

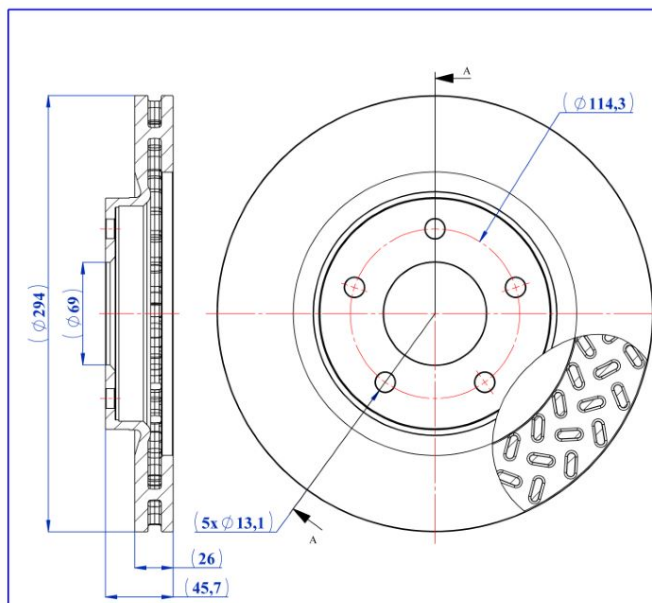
MODEL	START Y.	END Y.
ANTARA A (L07)	2006/05	



BRAKE DISC

- Front Axle
- Vented

- Safety
- Performance
- OEM Standarts
- AYD Quality

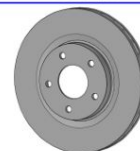


AYD NO
10-50402

MATERIAL
TYPE-1

WEIGHT
6,92 KG

BALANCING
100 %



OE:
16 075 005 80

10-50402

Technical Specifications:

Diameter (mm)	Height (mm)	Brake Disc Thickness (mm)	Min. Thickness (mm)	Centering Diameter (mm)	Bolt Hole Circle (mm)	Num. of Holes
294	45.7	26	24.4	69	114.3	5

PEUGEOT

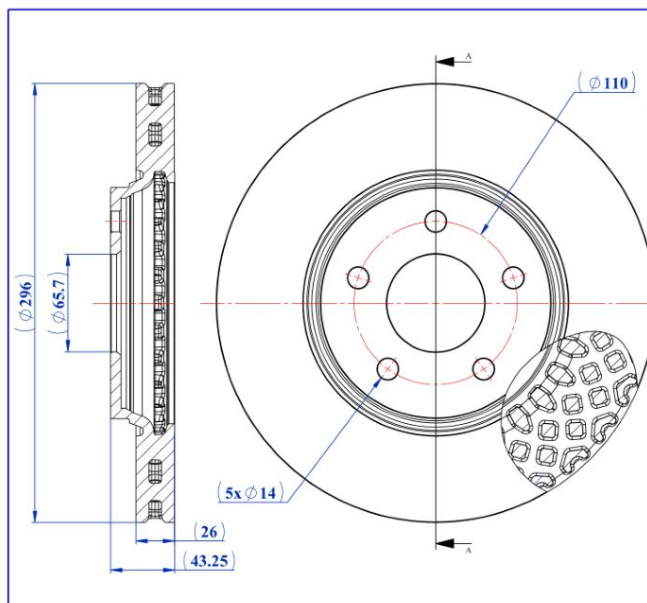
MODEL	START Y.	END Y.
4008	2012/05	



BRAKE DISC

- Front Axle
- Vented

- Safety
- Performance
- OEM Standards
- AYD Quality



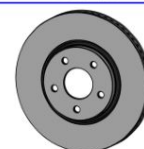
AYD
AUTOMOTIVE INDUSTRY

AYD NO
10-50579

MATERIAL
TYPE-1

WEIGHT
7,92 KG

BALANCING
100 %



OE:
15856665

10-50579

Technical Specifications:

Diameter (mm)	Height (mm)	Brake Disc Thickness (mm)	Min. Thickness (mm)	Centering Diameter (mm)	Bolt Hole Circle (mm)	Num. of Holes
296	43.25	26	23	65.7	110	5

PONTIAC

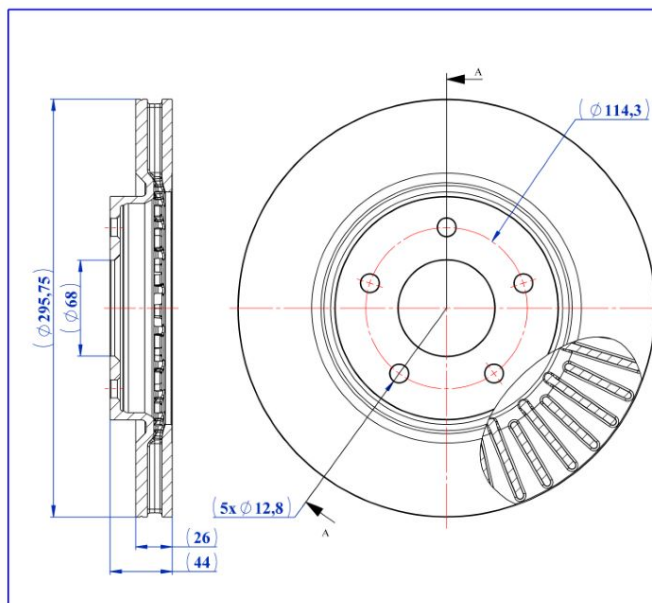
MODEL	START Y.	END Y.
G5 Sedan	2007/01	2010/12
G6	2004/03	2010/12



BRAKE DISC

- Front Axle
- Vented

- Safety
- Performance
- OEM Standarts
- AYD Quality



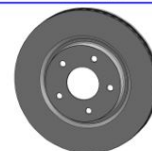
AYD[®]
AUTOMOTIVE INDUSTRY

AYD NO
10-50353

MATERIAL
TYPE-1

WEIGHT
7,42 KG

BALANCING
100 %



OE:
402066624R

10-50353

Technical Specifications:

Diameter (mm)	Height (mm)	Brake Disc Thickness (mm)	Min. Thickness (mm)	Centering Diameter (mm)	Bolt Hole Circle (mm)	Num. of Holes
295.75	44	26	24	68	114.3	5

RENAULT

MODEL	START Y.	END Y.
KADJAR (HA_, HL_)	2015/06	

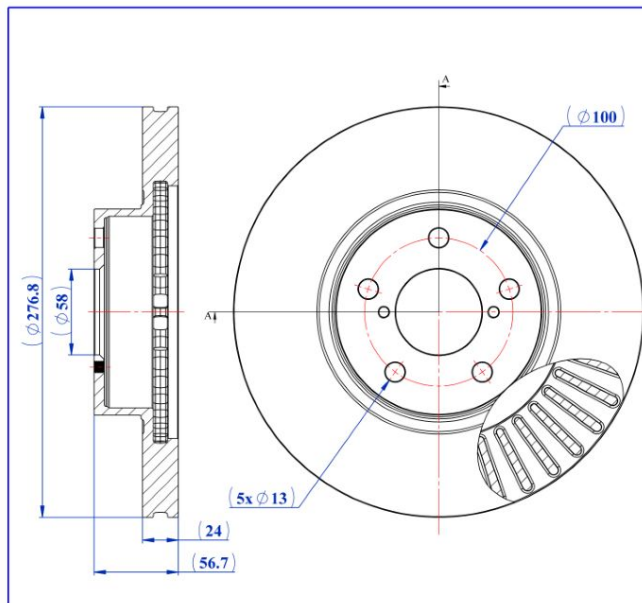


BRAKE DISC

- Front Axle
- Vented

- Safety
- Performance
- OEM Standarts
- AYD Quality

OE:
26310AA121
26310AA120
26310AA092



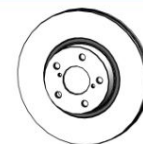
AYD[®]
AUTOMOTIVE INDUSTRY

AYD NO
10-50365

MATERIAL
TYPE-1

WEIGHT
6,12 KG

BALANCING
100 %



10-50365

Technical Specifications:

Diameter (mm)	Height (mm)	Brake Disc Thickness (mm)	Min. Thickness (mm)	Centering Diameter (mm)	Bolt Hole Circle (mm)	Num. of Holes
276.8	56.7	24	22	58	100	5+2

SUBARU

MODEL	START Y.	END Y.
BRZ	2012/06	
FORESTER (SF_)	1997/03	2002/09
FORESTER (SG_)	2002/02	2012/12
FORESTER (SH_)	2007/12	
IMPREZA Coupe (GFC)	1993/01	2000/12
IMPREZA Hatchback (GP_)	2011/10	
IMPREZA Hatchback (GR, GH, G3)	2007/03	2014/05
IMPREZA Sedan (GC)	1992/08	2001/09
IMPREZA Sedan (GD)	1999/09	2009/06
IMPREZA Sedan (GE, GV)	2007/01	
IMPREZA Sedan (GJ_)	2011/07	

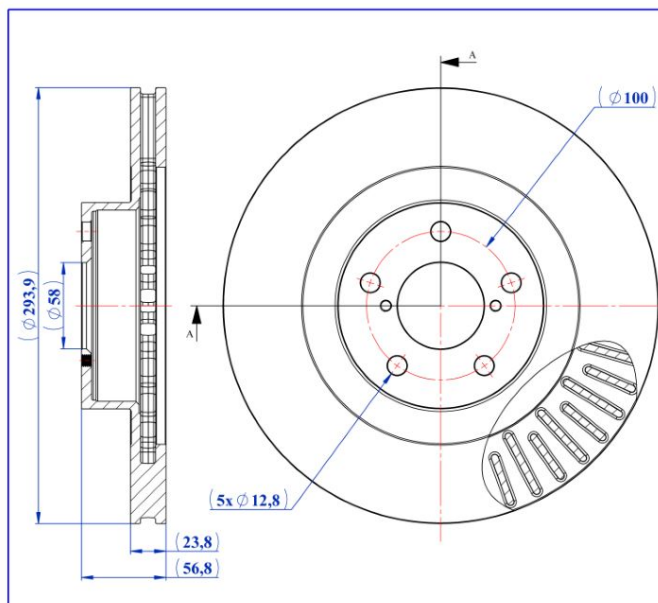


BRAKE DISC

- Front Axle
- Vented

- Safety
- Performance
- OEM Standarts
- AYD Quality

OE:
26300SA000
26310AC041
26300AE060



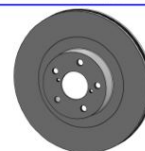
AYD
AUTOMOTIVE INDUSTRY

AYD NO
10-50405

MATERIAL
TYPE-1

WEIGHT
6,27 KG

BALANCING
100 %



10-50405

Technical Specifications:

Diameter (mm)	Height (mm)	Brake Disc Thickness (mm)	Min. Thickness (mm)	Centering Diameter (mm)	Bolt Hole Circle (mm)	Num. of Holes
293.9	56.8	23.8	22	58	100	5+2

SUBARU

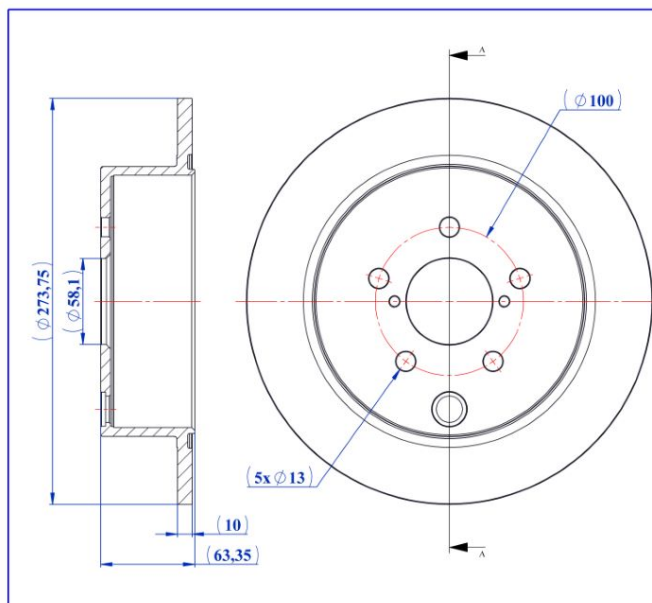
MODEL	START Y.	END Y.
BRZ	2012/06	
FORESTER (SG_)	2002/02	2012/12
FORESTER (SH_)	2007/12	
FORESTER (SJ_)	2012/11	
IMPREZA Hatchback (GP_)	2011/10	
IMPREZA Hatchback (GR, GH, G3)	2007/03	2014/05
IMPREZA Sedan (GD)	1999/09	2009/06
IMPREZA Station wagon (GG)	2000/10	2008/12
LEGACY IV (BL)	2003/09	2015/12
LEGACY IV Station wagon (BP)	2003/09	2009/12
LEGACY V (BM)	2009/05	



BRAKE DISC

- Rear Axle
- Solid

- Safety
- Performance
- OEM Standarts
- AYD Quality



AYD
AUTOMOTIVE INDUSTRY

AYD NO
10-50566

MATERIAL
TYPE-1

WEIGHT
4,69 KG

BALANCING
100 %



OE:
26700FJ000

10-50566

Technical Specifications:

Diameter (mm)	Height (mm)	Brake Disc Thickness (mm)	Min. Thickness (mm)	Centering Diameter (mm)	Bolt Hole Circle (mm)	Num. of Holes
273.75	63.35	10	8.5	58.1	100	5+3

SUBARU

MODEL	START Y.	END Y.
FORESTER (SJ_)	2012/11	
IMPREZA Hatchback (GP_)	2011/10	
IMPREZA Sedan (GJ_)	2011/07	
XV (_GP_)	2011/09	
XV (GT)	2017/04	

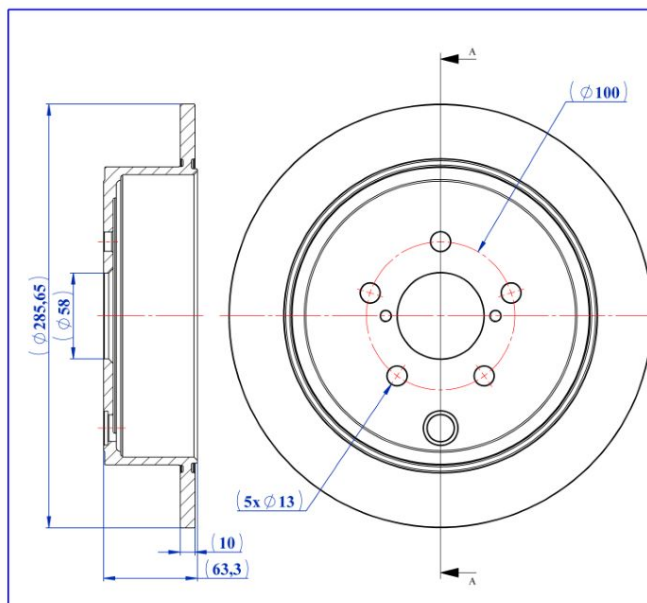


BRAKE DISC

- Rear Axle
- Solid

- Safety
- Performance
- OEM Standarts
- AYD Quality

OE:
26700FG000
26700AJ00A



AYD[®]
AUTOMOTIVE INDUSTRY

AYD NO
10-50567

MATERIAL
TYPE-1

WEIGHT
5.05 KG

BALANCING
100 %



10-50567

Technical Specifications:

Diameter (mm)	Height (mm)	Brake Disc Thickness (mm)	Min. Thickness (mm)	Centering Diameter (mm)	Bolt Hole Circle (mm)	Num. of Holes
285.65	63.3	10	8.5	58	100	5+3

SUBARU

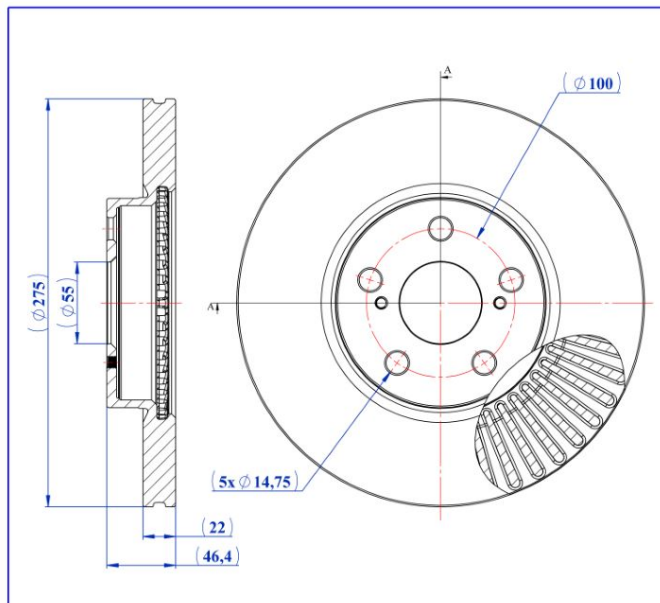
MODEL	START Y.	END Y.
BRZ	2012/06	
FORESTER (SH_)	2007/12	
IMPREZA Hatchback (GR, GH, G3)	2007/03	2014/05
IMPREZA Sedan (GE, GV)	2007/01	
LEGACY IV (BL)	2003/09	2015/12
LEGACY IV Station wagon (BP)	2003/09	2009/12
LEGACY V (BM)	2009/05	
LEGACY V Station wagon (BR)	2008/06	2014/12
OUTBACK (BR)	2009/06	



BRAKE DISC

- Front Axle
- Vented

- Safety
- Performance
- OEM Standarts
- AYD Quality



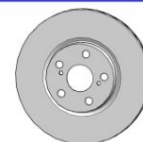
AYD[®]
AUTOMOTIVE INDUSTRY

AYD NO
10-50580

MATERIAL
TYPE-1

WEIGHT
6,14 KG

BALANCING
100 %



OE:
4351212710

10-50580

Technical Specifications:

Diameter (mm)	Height (mm)	Brake Disc Thickness (mm)	Min. Thickness (mm)	Centering Diameter (mm)	Bolt Hole Circle (mm)	Num. of Holes
275	46.4	22	19	55	100	5+2

SUBARU

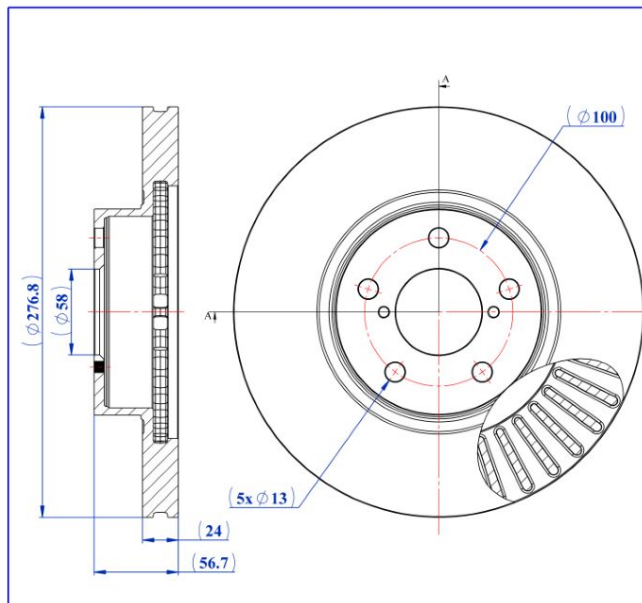
MODEL	START Y.	END Y.
TREZIA	2010/11	



BRAKE DISC

- Front Axle
- Vented

- Safety
- Performance
- OEM Standarts
- AYD Quality

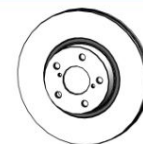


AYD NO
10-50365

MATERIAL
TYPE-1

WEIGHT
6,12 KG

BALANCING
100 %



OE:
SU00300585

10-50365

Technical Specifications:

Diameter (mm)	Height (mm)	Brake Disc Thickness (mm)	Min. Thickness (mm)	Centering Diameter (mm)	Bolt Hole Circle (mm)	Num. of Holes
276.8	56.7	24	22	58	100	5+2

TOYOTA

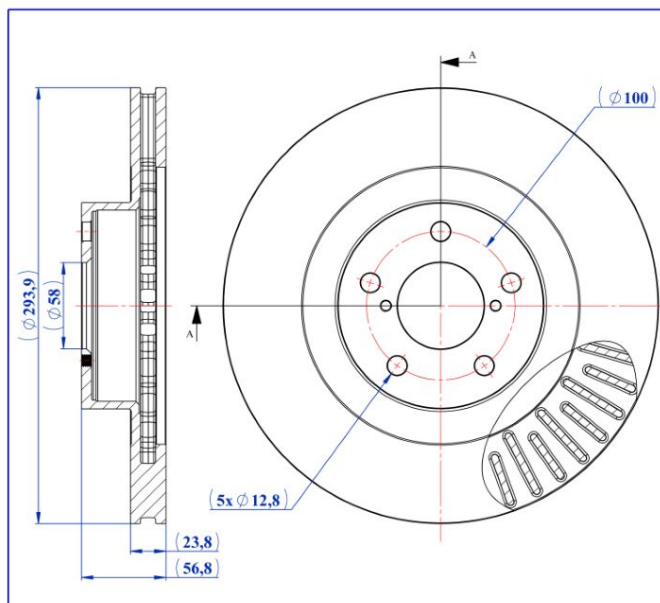
MODEL	START Y.	END Y.
GT 86 Coupe (ZN6_)	2012/03	



BRAKE DISC

- Front Axle
- Vented

- Safety
- Performance
- OEM Standarts
- AYD Quality



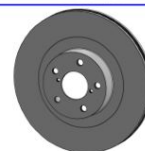
AYD
AUTOMOTIVE INDUSTRY

AYD NO
10-50405

MATERIAL
TYPE-1

WEIGHT
6,27 KG

BALANCING
100 %



OE:
SU00300586

10-50405

Technical Specifications:

Diameter (mm)	Height (mm)	Brake Disc Thickness (mm)	Min. Thickness (mm)	Centering Diameter (mm)	Bolt Hole Circle (mm)	Num. of Holes
293.9	56.8	23.8	22	58	100	5+2

TOYOTA

MODEL	START Y.	END Y.
GT 86 Coupe (ZN6_)	2012/03	

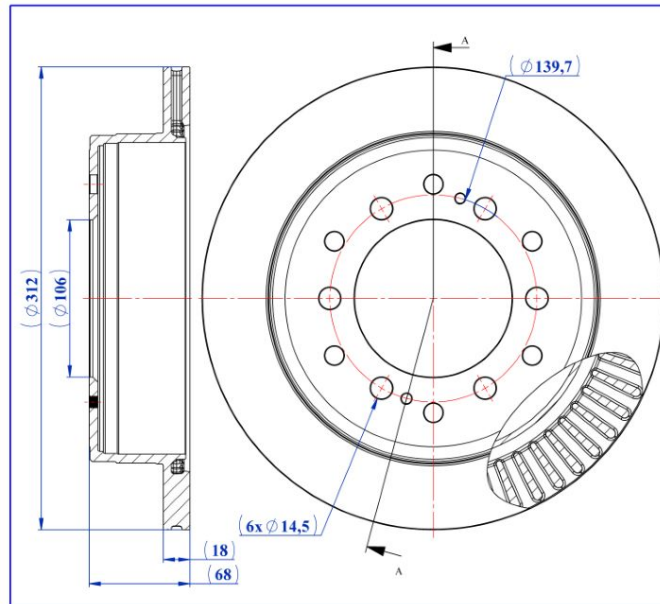


BRAKE DISC

- Rear Axle
- Vented

- Safety
- Performance
- OEM Standarts
- AYD Quality

OE:
4243160200
4243160270
4243160201



AYD
AUTOMOTIVE INDUSTRY

AYD NO
10-50453

MATERIAL
TYPE-1

WEIGHT
6,20 KG

BALANCING
100 %



10-50453

Technical Specifications:

Diameter (mm)	Height (mm)	Brake Disc Thickness (mm)	Min. Thickness (mm)	Centering Diameter (mm)	Bolt Hole Circle (mm)	Num. of Holes
312	68	18	16	106	139.7	6+8

TOYOTA

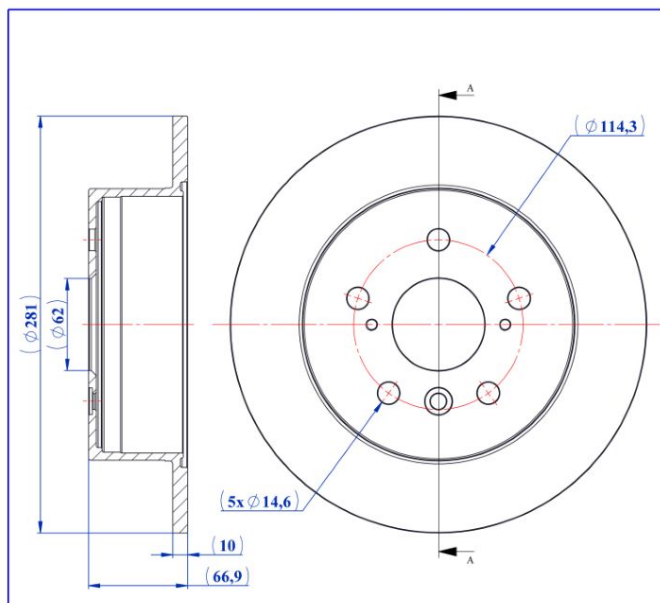
MODEL	START Y.	END Y.
4 RUNNER IV (_N21_)	2002/08	2009/12
LAND CRUISER (_J7_)	1984/03	
LAND CRUISER 90 (_J9_)	1995/04	
LAND CRUISER PRADO (_J12_)	2002/09	2010/12



BRAKE DISC

- Rear Axle
- Solid

- Safety
- Performance
- OEM Standarts
- AYD Quality



AYD[®]
AUTOMOTIVE INDUSTRY

AYD NO
10-50564

MATERIAL
TYPE-1

WEIGHT
4,60 KG

BALANCING
100 %



OE:
4243106120

10-50564

Technical Specifications:

Diameter (mm)	Height (mm)	Brake Disc Thickness (mm)	Min. Thickness (mm)	Centering Diameter (mm)	Bolt Hole Circle (mm)	Num. of Holes
281	66.9	10	8.5	62	114.3	5+3

TOYOTA

MODEL	START Y.	END Y.
AVALON Sedan (_X4_)	2012/09	2018/03
CAMRY Sedan (_V5_)	2011/09	



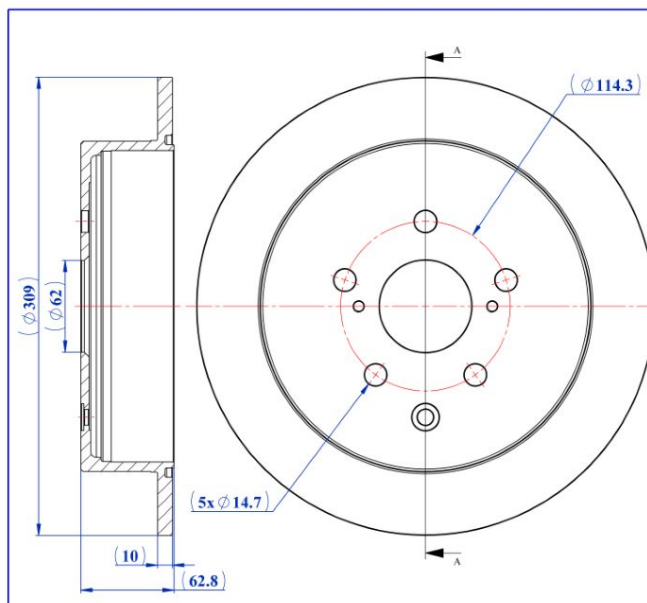
BRAKE DISC

- Rear Axle
- Solid

- Safety
- Performance
- OEM Standarts
- AYD Quality

OE:
4243148070
424310E020

10-50565



AYD
AUTOMOTIVE INDUSTRY

AYD NO
10-50565

MATERIAL
TYPE-1

WEIGHT
5,79 KG

BALANCING
100 %



Technical Specifications:

Diameter (mm)	Height (mm)	Brake Disc Thickness (mm)	Min. Thickness (mm)	Centering Diameter (mm)	Bolt Hole Circle (mm)	Num. of Holes
309	62.8	10	8.5	62	114.3	5+3

TOYOTA

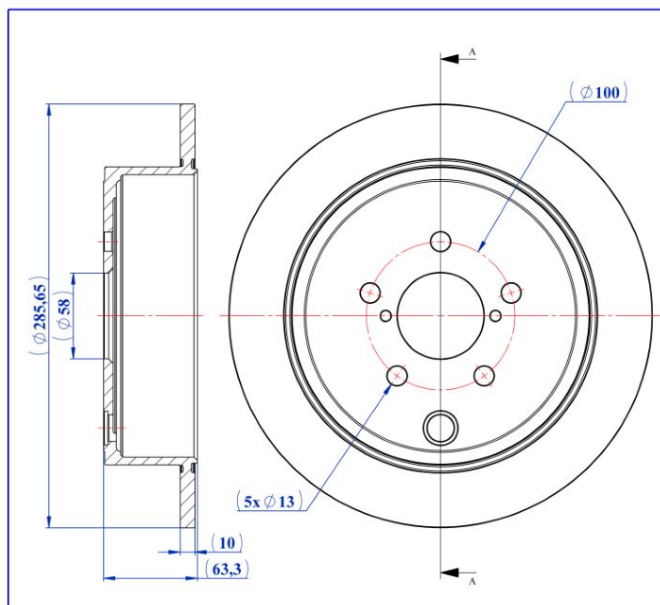
MODEL	START Y.	END Y.
HIGHLANDER / KLUGER (_U5_)	2013/12	
SIENNA (_L3_)	2010/01	



BRAKE DISC

- Rear Axle
- Solid

- Safety
- Performance
- OEM Standarts
- AYD Quality



AYD NO
10-50567

MATERIAL
TYPE-1

WEIGHT
5.05 KG

BALANCING
100 %



OE:
SU00300639

10-50567

Technical Specifications:

Diameter (mm)	Height (mm)	Brake Disc Thickness (mm)	Min. Thickness (mm)	Centering Diameter (mm)	Bolt Hole Circle (mm)	Num. of Holes
285.65	63.3	10	8.5	58	100	5+3

TOYOTA

MODEL	START Y.	END Y.
GT 86 Coupe (ZN6_)	2012/03	

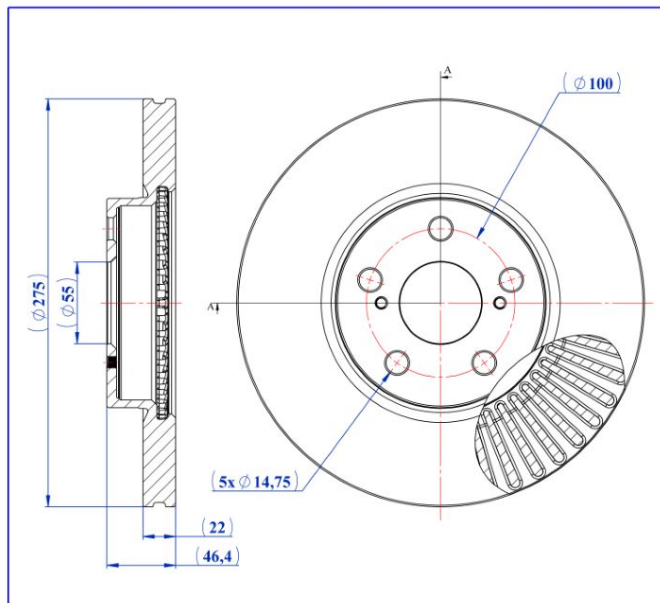


BRAKE DISC

- Front Axle
- Vented

- Safety
- Performance
- OEM Standarts
- AYD Quality

OE:
4351202270
4351212710
4351202240



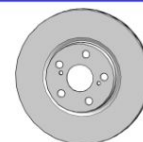
AYD
AUTOMOTIVE INDUSTRY

AYD NO
10-50580

MATERIAL
TYPE-1

WEIGHT
6,14 KG

BALANCING
100 %



10-50580

Technical Specifications:

Diameter (mm)	Height (mm)	Brake Disc Thickness (mm)	Min. Thickness (mm)	Centering Diameter (mm)	Bolt Hole Circle (mm)	Num. of Holes
275	46.4	22	19	55	100	5+2

TOYOTA

MODEL	START Y.	END Y.
URBAN CRUISER (_P1_)	2007/07	2016/03
VERSO S (_P12_)	2010/11	2016/10



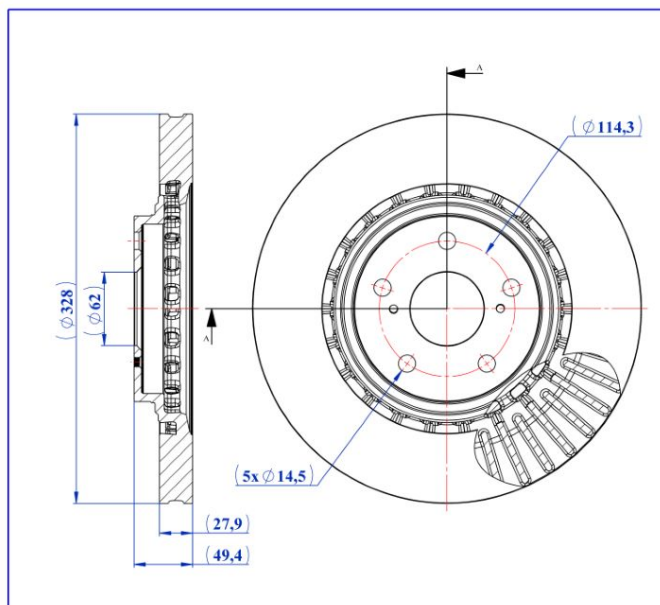
BRAKE DISC

- Front Axle
- Vented

- Safety
- Performance
- OEM Standarts
- AYD Quality

OE:
4351248110
4351248130

10-50581



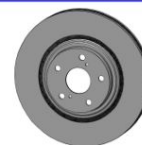
AYD
AUTOMOTIVE INDUSTRY

AYD NO
10-50581

MATERIAL
TYPE-1

WEIGHT
9,19 KG

BALANCING
100 %



Technical Specifications:

Diameter (mm)	Height (mm)	Brake Disc Thickness (mm)	Min. Thickness (mm)	Centering Diameter (mm)	Bolt Hole Circle (mm)	Num. of Holes
328	49.4	27.9	25	62	114.3	5+2

TOYOTA

MODEL	START Y.	END Y.
RAV 4 IV (_A4_)	2012/12	

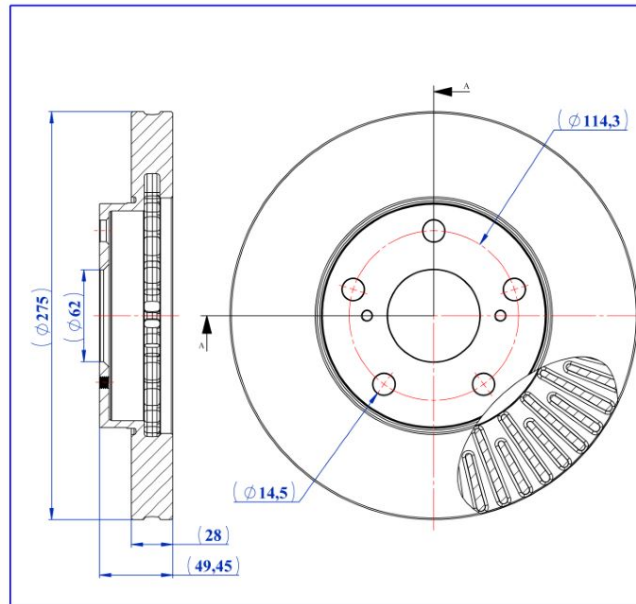


BRAKE DISC

- Front Axle
- Vented

- Safety
- Performance
- OEM Standarts
- AYD Quality

OE:
4351233042
4351233040
4351207020



AYD NO
10-50587

MATERIAL
TYPE-1

WEIGHT
7,09 KG

BALANCING
100 %



10-50587

Technical Specifications:

Diameter (mm)	Height (mm)	Brake Disc Thickness (mm)	Min. Thickness (mm)	Centering Diameter (mm)	Bolt Hole Circle (mm)	Num. of Holes
275	49.45	28	26	62	114.3	5+2

TOYOTA

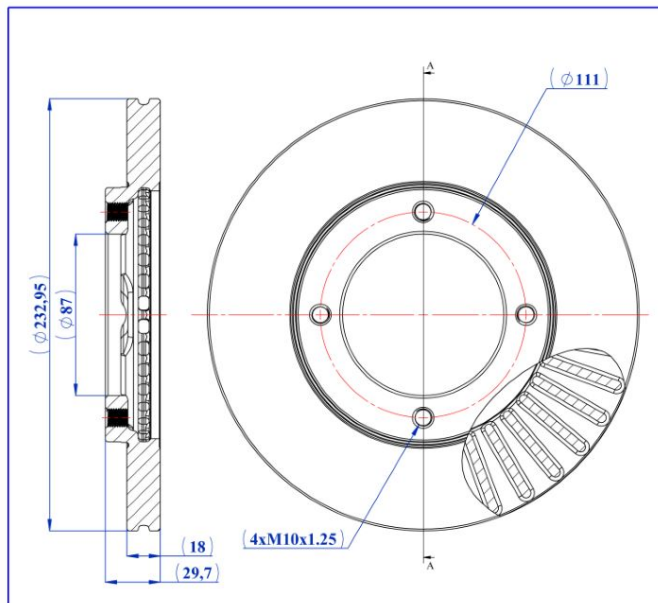
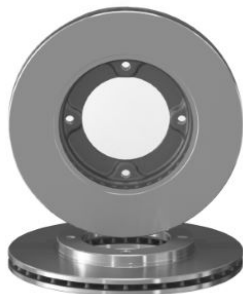
MODEL	START Y.	END Y.
AVENSIS VERSO (_M2_)	2001/05	2011/12
CAMRY (_V1_)	1990/07	1998/06
CAMRY (_V2_)	1996/08	2002/09
CAMRY Sedan (_V3_)	2001/08	2006/11
CAMRY Station wagon (_V1_)	1991/06	1997/08
PREVIA II (_R3_)	2000/02	2006/02



BRAKE DISC

- Front Axle
- Vented

- Safety
- Performance
- OEM Standarts
- AYD Quality

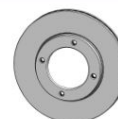


AYD NO
10-50627

MATERIAL
TYPE-1

WEIGHT
3,59 KG

BALANCING
100 %



OE:
43512BZ280

10-50627

Technical Specifications:

Diameter (mm)	Height (mm)	Brake Disc Thickness (mm)	Min. Thickness (mm)	Centering Diameter (mm)	Bolt Hole Circle (mm)	Num. of Holes
232.95	29.7	18	17	87	111	4

TOYOTA

MODEL	START Y.	END Y.
AVANZA II (F65_)	2011/11	

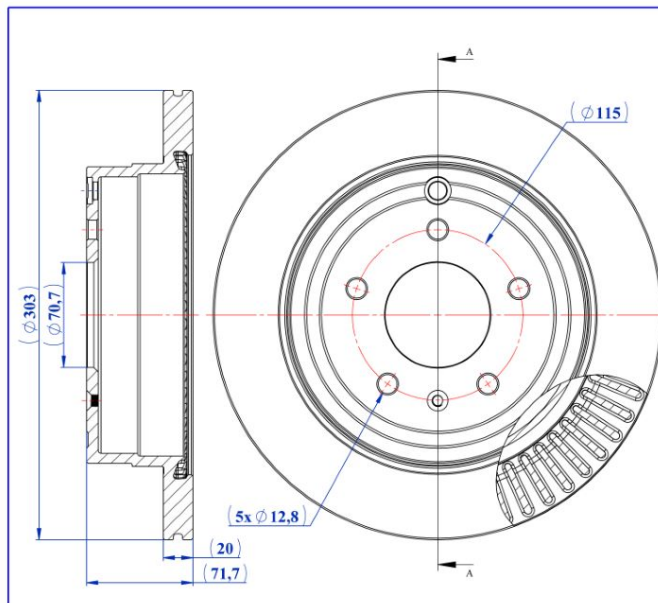


BRAKE DISC

- Rear Axle
- Vented

- Safety
- Performance
- OEM Standarts
- AYD Quality

OE:
20968395
96625873



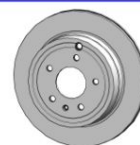
AYD[®]
AUTOMOTIVE INDUSTRY

AYD NO
10-50536

MATERIAL
TYPE-1

WEIGHT
7,46 KG

BALANCING
100 %



10-50536

Technical Specifications:

Diameter (mm)	Height (mm)	Brake Disc Thickness (mm)	Min. Thickness (mm)	Centering Diameter (mm)	Bolt Hole Circle (mm)	Num. of Holes
303	71.7	20	18.4	70.7	115	5+2

VAUXHALL

MODEL	START Y.	END Y.
ANTARA A (L07)	2006/08	

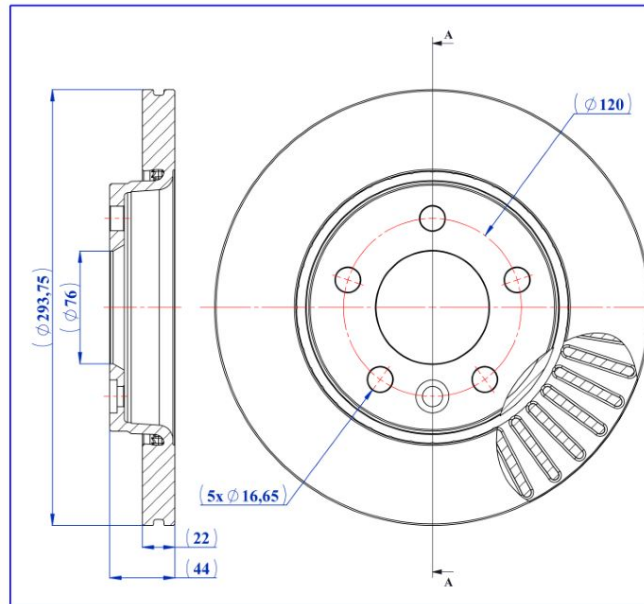


BRAKE DISC

- Rear Axle
- Vented

- Safety
- Performance
- OEM Standarts
- AYD Quality

OE:
7H0615601B
7E0615601D



AYD
AUTOMOTIVE INDUSTRY

AYD NO
10-50183

MATERIAL
TYPE-1

WEIGHT
7,11 KG

BALANCING
100 %



10-50183

Technical Specifications:

Diameter (mm)	Height (mm)	Brake Disc Thickness (mm)	Min. Thickness (mm)	Centering Diameter (mm)	Bolt Hole Circle (mm)	Num. of Holes
293.75	44	22	19.5	76	120	5+1

VW

MODEL	START Y.	END Y.
MULTIVAN V (7HM, 7HN, 7HF, 7EF, 7EM, 7EN)	2003/04	2015/08
MULTIVAN VI (SGF, SGM, SGN, SHM, SHN)	2015/04	
TRANSPORTER / CARAVELLE VI Minibus/Bus (SGB, SGG, SGJ, SG)	2015/04	
TRANSPORTER V Minibus/Bus (7HB, 7HJ, 7EB, 7EJ, 7EF, 7EG)	2003/04	2015/08
TRANSPORTER V Panelvan/Van (7HA, 7HH, 7EA, 7EH)	2003/04	
TRANSPORTER V Platform (7JD, 7JE, 7JL, 7JY, 7JZ, 7FD)	2003/04	2015/08
TRANSPORTER VI Panelvan/Van (SGA, SGH, SHA)	2015/04	
TRANSPORTER VI Platform (SFD, SFE, SFL, SFZ, SJD, SJE)	2015/04	

