

new to range

AYD[®]
AUTOMOTIVE INDUSTRY

THANKS TO AYD POWER AND ALL UNDER ONE ROOF STRATEGY



BRAKE WITH CONFIDENCE

OEM Standards

AYD QUALITY

SAFETY

PERFORMANCE

www.aydtr.com



JANUARY 2022

INDEX

AUDI	3-4
CHEVROLET	5-8
CITROEN	9-11
DACIA	12
DAEWOO	13
DODGE	14
FIAT	15-19
FORD	20-24
FREIGHTLINER	25
HOLDEN	26
HONDA	27-28
HYUNDAI	29-33
KIA	34-36
LADA	37
MERCEDES BENZ	38
MG	39
MITSUBISHI	40
NISSAN	41-42
OPEL	43-47
PEUGEOT	48-50
RENAULT	51-54
ROVER	55
SATURN	56
SEAT	57
SMART	58
SSANGYONG	59
SUBARU	60
SUZUKI	61
TOYOTA	62-65
VAUXHALL	66-70
VOLKSWAGEN	71-73

BRAKE PAD

BALATA

- Rear Axle

- OEM Standarts
- AYD Quality
- Safety
- Performance



OE:
191698451B
191698451D
191698451

11-60099AA

WVA :20961

Technical Specifications:

Shim	Wear Indicator	Indicator Type	Piston Spring	Compression Spring	Rivet	Clips	Bolt	Plastic Plug	Kit
4	-	-	-	4	-	-	-	-	-

AUDI

MODEL	START D.	END Y.
A4 B6 (8E2)	2000/11	2005/12
A4 B6 Avant (8E5)	2000/02	2005/12
A4 B6 Cabrio (8H7)	2002/01	2009/12
A4 B7 (8EC)	2004/11	2008/06
A4 B7 Avant (8ED)	2004/11	2008/06
A4 B7 Cabrio (8HE)	2002/01	2009/12
A6 C5 (4B2)	1997/01	2005/12
A6 C5 Avant (4B5)	1997/11	2005/01

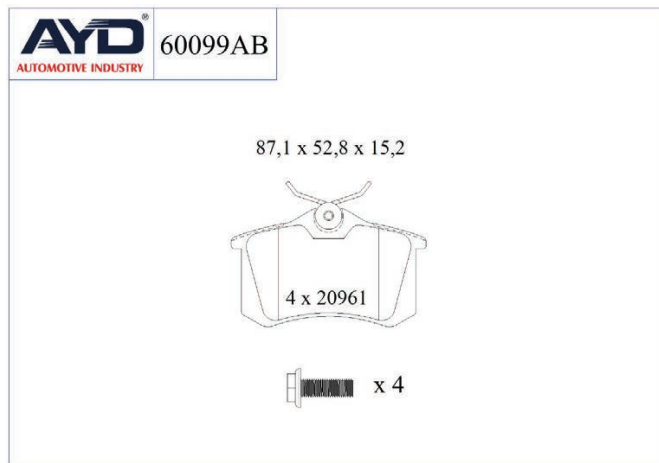


BRAKE PAD

BALATA

- Rear Axle

- OEM Standarts
- AYD Quality
- Safety
- Performance



OE:
191698451B-M
191698451D-M
191698451-M

11-60099AB

WVA :20961

Technical Specifications:

Shim	Wear Indicator	Indicator Type	Piston Spring	Compression Spring	Rivet	Clips	Bolt	Plastic Plug	Kit
4	-	-	-	4	-	-	4	-	-

AUDI

MODEL	START D.	END Y.
A4 B6 (8E2)	2000/11	2005/12
A4 B6 Avant (8E5)	2000/02	2005/12
A4 B6 Cabrio (8H7)	2002/01	2009/12
A4 B7 (8EC)	2004/11	2008/06
A4 B7 Avant (8ED)	2004/11	2008/06
A4 B7 Cabrio (8HE)	2002/01	2009/12
A6 C5 (4B2)	1997/01	2005/12
A6 C5 Avant (4B5)	1997/11	2005/01



BRAKE PAD

BALATA

- Rear Axle

- OEM Standarts
- AYD Quality
- Safety
- Performance



OE:
1605995

11-60027AA

WVA :23417

Technical Specifications:

Shim	Wear Indicator	Indicator Type	Piston Spring	Compression Spring	Rivet	Clips	Bolt	Plastic Plug	Kit
-	-	-	-	-	-	-	2	-	-

CHEVROLET

MODEL	START D.	END Y.
CORSA Hatchback	1994/03	2010/12
ZAFIRA	2005/07	

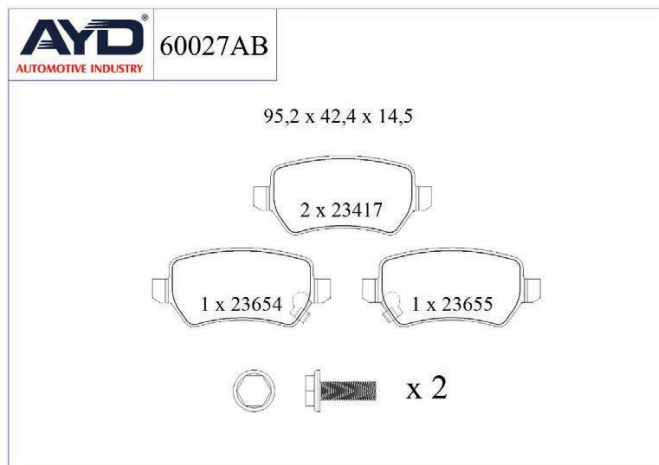


BRAKE PAD

BALATA

- Rear Axle

- OEM Standarts
- AYD Quality
- Safety
- Performance



OE:
1605122

11-60027AB

WVA :23417-23654-23655

Technical Specifications:

Shim	Wear Indicator	Indicator Type	Piston Spring	Compression Spring	Rivet	Clips	Bolt	Plastic Plug	Kit
-	2	-	-	-	-	-	2	-	-

CHEVROLET

MODEL	START D.	END Y.
ASTRA Hatchback	1998/09	2011/12
ASTRA Sedan	1998/10	2011/12
ASTRA Station wagon	1994/09	2011/12
COMBO	2001/04	
CORSA Hatchback	1994/03	2010/12
CORSA Pick-up	1994/08	2010/12
CORSA Sedan	1994/03	2010/12
MERIVA	2002/02	2012/07
VIVA	2003/09	2008/03
ZAFIRA (F75)	1999/02	2012/12

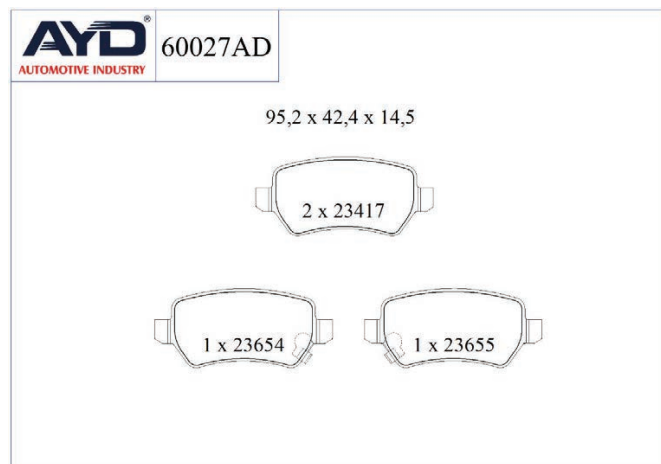


BRAKE PAD

BALATA

- Rear Axle

- OEM Standarts
- AYD Quality
- Safety
- Performance



OE:

11-60027AD

WVA :23417-23654-23655

Technical Specifications:

Shim	Wear Indicator	Indicator Type	Piston Spring	Compression Spring	Rivet	Clips	Bolt	Plastic Plug	Kit
-	2	-	-	-	-	-	-	-	-

CHEVROLET

MODEL	START D.	END Y.
CORSA Hatchback	1994/03	2010/12
ZAFIRA	2005/07	

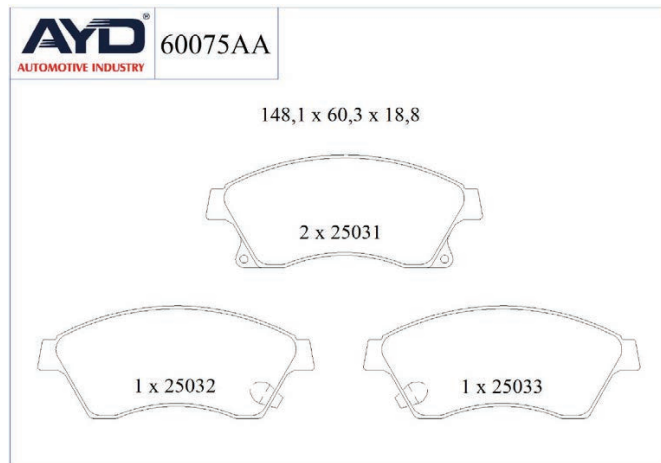


BRAKE PAD

BALATA

- Front Axle

- OEM Standarts
- AYD Quality
- Safety
- Performance



OE:
13301207
13374966
13412272

11-60075AA

WVA :25031-25032-25033

Technical Specifications:

Shim	Wear Indicator	Indicator Type	Piston Spring	Compression Spring	Rivet	Clips	Bolt	Plastic Plug	Kit
4	2	-	-	-	-	-	-	-	-

CHEVROLET

MODEL	START D.	END Y.
AVEO / KALOS Hatchback (T250, T255)	2006/06	
AVEO Hatchback (T300)	2011/03	
AVEO Sedan (T300)	2011/03	
CRUZE (J300)	2009/05	
CRUZE Hatchback	2017/01	
CRUZE Hatchback (J305)	2010/12	
CRUZE Station Wagon (J308)	2012/08	

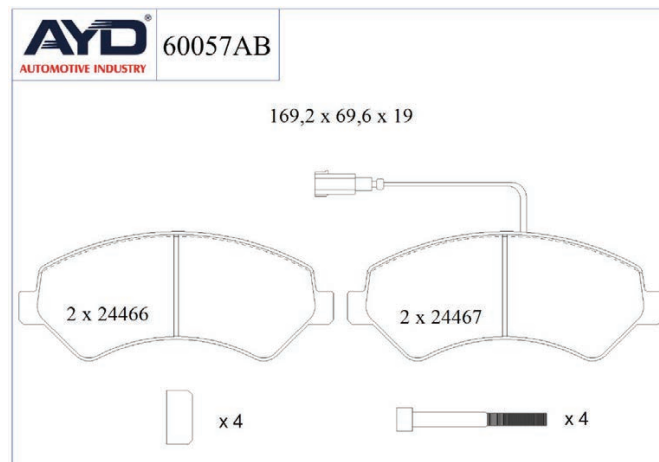


BRAKE PAD

BALATA

- Front Axle

- OEM Standarts
- AYD Quality
- Safety
- Performance



OE:
425373
425374
425463

11-60057AB

WVA :24467-24466

Technical Specifications:

Shim	Wear Indicator	Indicator Type	Piston Spring	Compression Spring	Rivet	Clips	Bolt	Plastic Plug	Kit
4	2	-	-	-	-	-	-	-	1

CITROËN

MODEL	START D.	END Y.
JUMPER Minibus/Bus	2006/04	
JUMPER Panelvan/Van	2006/04	
JUMPER Panelvan/Van (244)	2002/04	
JUMPER Platform	2006/04	

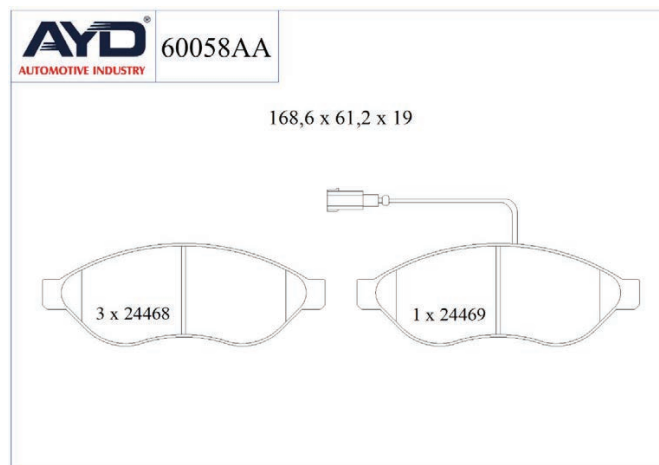


BRAKE PAD

BALATA

- Front Axle

- OEM Standarts
- AYD Quality
- Safety
- Performance



OE:
1611457380

11-60058AA

WVA :24468-24469

Technical Specifications:

Shim	Wear Indicator	Indicator Type	Piston Spring	Compression Spring	Rivet	Clips	Bolt	Plastic Plug	Kit
4	1	-	-	-	-	-	-	-	-

CITROËN

MODEL	START D.	END Y.
JUMPER Minibus/Bus	2006/04	
JUMPER Panelvan/Van	2006/04	
JUMPER Panelvan/Van (244)	2002/04	
JUMPER Platform	2006/04	

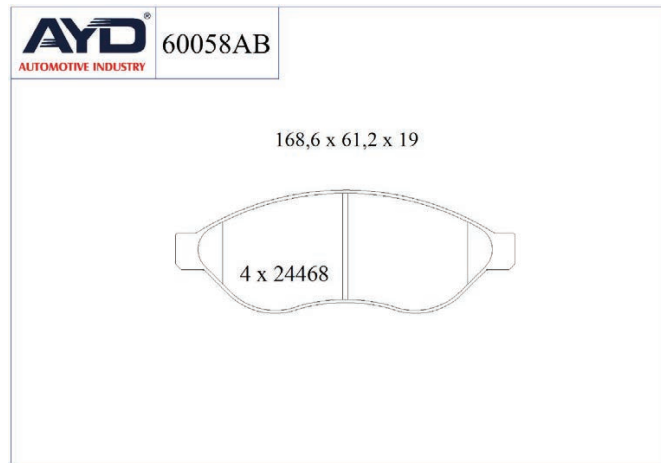


BRAKE PAD

BALATA

- Front Axle

- OEM Standarts
- AYD Quality
- Safety
- Performance



OE:
1611457380-M

11-60058AB

WVA :24468

Technical Specifications:

Shim	Wear Indicator	Indicator Type	Piston Spring	Compression Spring	Rivet	Clips	Bolt	Plastic Plug	Kit
4	-	-	-	-	-	-	-	-	-

CITROËN

MODEL	START D.	END Y.
JUMPER Minibus/Bus	2006/04	
JUMPER Panelvan/Van	2006/04	
JUMPER Panelvan/Van (244)	2002/04	
JUMPER Platform	2006/04	

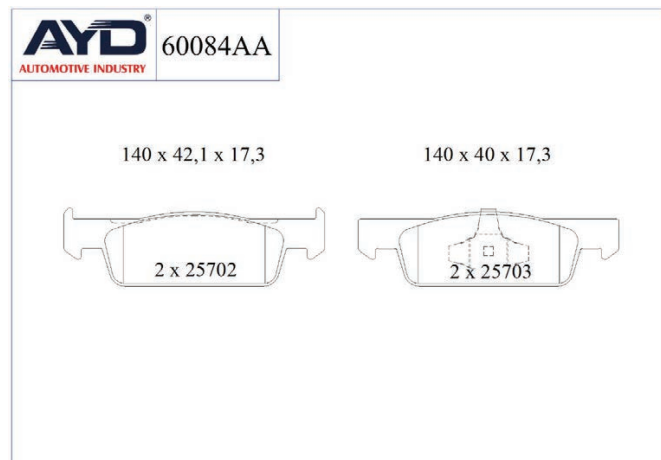


BRAKE PAD

BALATA

- Front Axle

- OEM Standarts
- AYD Quality
- Safety
- Performance



OE:
410605612R
410605951R

11-60084AA

WVA :25703-25702

Technical Specifications:

Shim	Wear Indicator	Indicator Type	Piston Spring	Compression Spring	Rivet	Clips	Bolt	Plastic Plug	Kit
-	-	-	2	-	-	-	-	-	-

DACIA

MODEL	START D.	END Y.
LOGAN II	2012/10	
LOGAN MCV II	2013/02	
SANDERO II	2012/10	

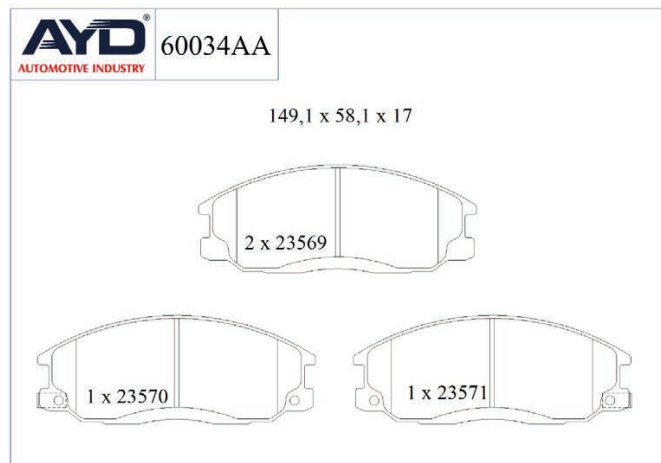


BRAKE PAD

BALATA

- Front Axle

- OEM Standarts
- AYD Quality
- Safety
- Performance



OE:
48130090A1

11-60034AA

WVA :23569-23570-23571

Technical Specifications:

Shim	Wear Indicator	Indicator Type	Piston Spring	Compression Spring	Rivet	Clips	Bolt	Plastic Plug	Kit
4	2	-	-	-	-	-	-	-	-

DAEWOO

MODEL	START D.	END Y.
REXTON (GAB_)	2002/04	

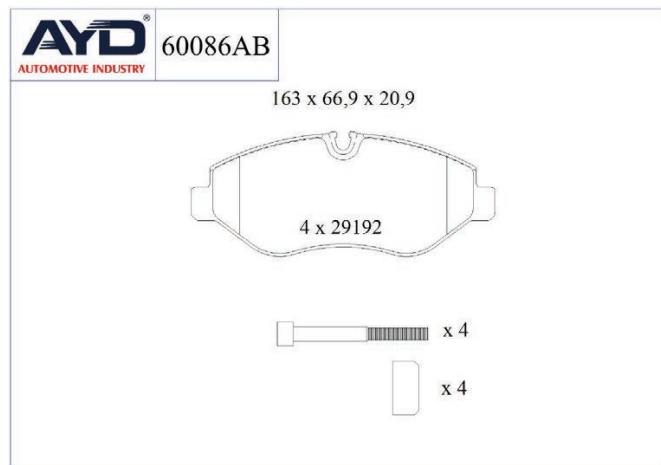


BRAKE PAD

BALATA

- Front Axle

- OEM Standarts
- AYD Quality
- Safety
- Performance



OE:
2E0698151-M1

11-60086AB

WVA :29192

Technical Specifications:

Shim	Wear Indicator	Indicator Type	Piston Spring	Compression Spring	Rivet	Clips	Bolt	Plastic Plug	Kit
4	-	-	-	-	-	-	-	-	1

DODGE

MODEL	START D.	END Y.
SPRINTER 2500 Standard Cargo Van	2005/09	2010/12
SPRINTER 2500 Standard Passenger Van	2006/09	2010/12
SPRINTER 3500 Cab & Chassis	2006/09	2010/12
SPRINTER 3500 Standard Cargo Van	2006/09	2010/12
SPRINTER 3500 Standard Passenger Van	2006/09	2010/12

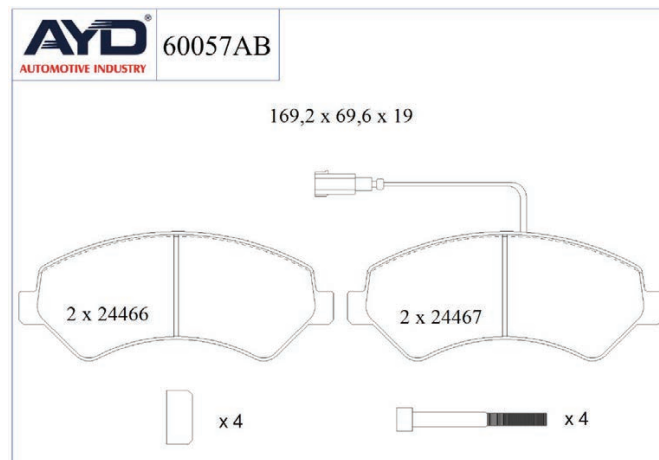


BRAKE PAD

BALATA

- Front Axle

- OEM Standarts
- AYD Quality
- Safety
- Performance



OE:
77364015
77364318
77366021

11-60057AB

WVA :24467-24466

Technical Specifications:

Shim	Wear Indicator	Indicator Type	Piston Spring	Compression Spring	Rivet	Clips	Bolt	Plastic Plug	Kit
4	2	-	-	-	-	-	-	-	1

FIAT

MODEL	START D.	END Y.
DUCATO Minibus/Bus (250_, 290_)	2006/07	
DUCATO Panelvan/Van (250_, 290_)	2006/07	
DUCATO Platform (250_, 290_)	2006/07	

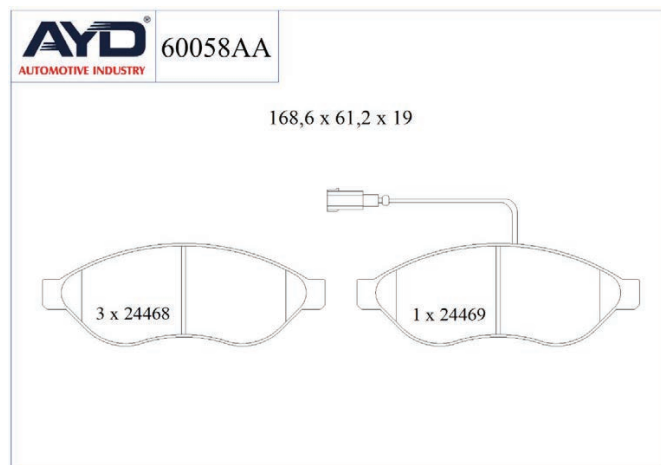


BRAKE PAD

BALATA

- Front Axle

- OEM Standarts
- AYD Quality
- Safety
- Performance



OE:
77368452

11-60058AA

WVA :24468-24469

Technical Specifications:

Shim	Wear Indicator	Indicator Type	Piston Spring	Compression Spring	Rivet	Clips	Bolt	Plastic Plug	Kit
4	1	-	-	-	-	-	-	-	-

FIAT

MODEL	START D.	END Y.
DUCATO Minibus/Bus (250_, 290_)	2006/07	
DUCATO Panelvan/Van (250_, 290_)	2006/07	
DUCATO Platform (250_, 290_)	2006/07	

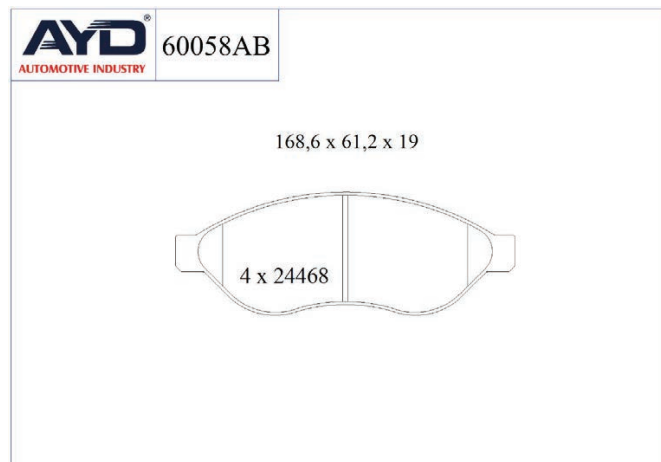


BRAKE PAD

BALATA

- Front Axle

- OEM Standarts
- AYD Quality
- Safety
- Performance



OE:
77368452-M

11-60058AB

WVA :24468

Technical Specifications:

Shim	Wear Indicator	Indicator Type	Piston Spring	Compression Spring	Rivet	Clips	Bolt	Plastic Plug	Kit
4	-	-	-	-	-	-	-	-	-

FIAT

MODEL	START D.	END Y.
DUCATO Minibus/Bus (250_, 290_)	2006/07	
DUCATO Panelvan/Van (250_, 290_)	2006/07	
DUCATO Platform (250_, 290_)	2006/07	

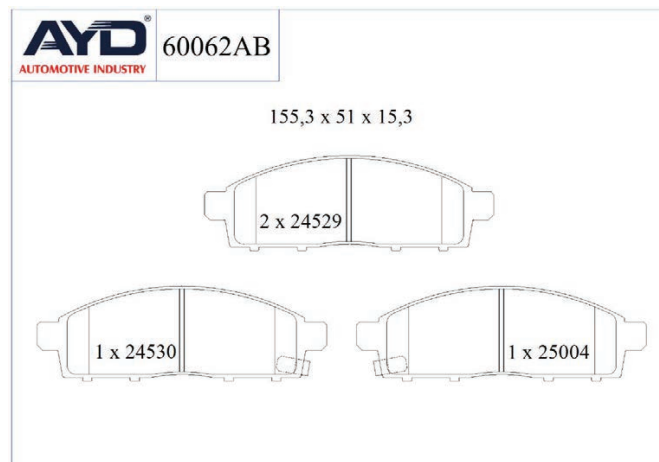


BRAKE PAD

BALATA

- Front Axle

- OEM Standarts
- AYD Quality
- Safety
- Performance



OE:
6000609715-M1

11-60062AB

WVA :24529-24530-25004

Technical Specifications:

Shim	Wear Indicator	Indicator Type	Piston Spring	Compression Spring	Rivet	Clips	Bolt	Plastic Plug	Kit
-	2	-	-	-	-	-	-	-	-

FIAT

MODEL	START D.	END Y.
FULLBACK Pick-up (502_, 503_)	2016/01	

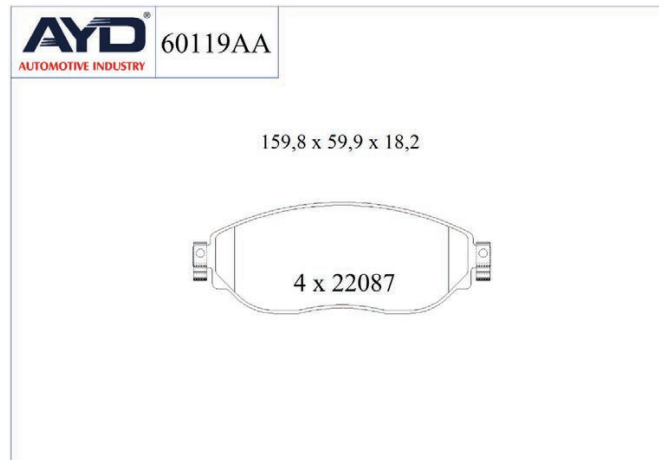


BRAKE PAD

BALATA

- Front Axle

- OEM Standarts
- AYD Quality
- Safety
- Performance



OE:
6000620046
6000620616
006000620046

11-60119AA

WVA :22087

Technical Specifications:

Shim	Wear Indicator	Indicator Type	Piston Spring	Compression Spring	Rivet	Clips	Bolt	Plastic Plug	Kit
4	-	-	-	8	-	-	-	-	-

FIAT

MODEL	START D.	END Y.
TALENTO Minibus/Bus (296_)	2016/06	
TALENTO Panelvan/Van (296_)	2016/06	
TALENTO Platform (296_)	2016/06	

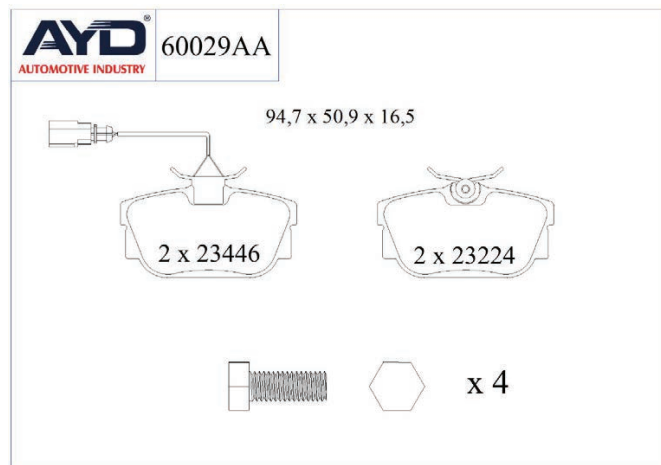
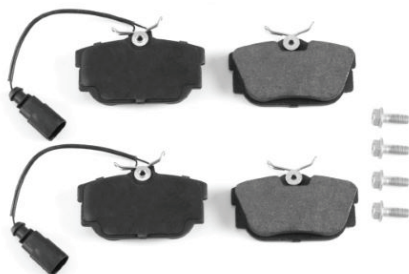


BRAKE PAD

BALATA

- Rear Axle

- OEM Standarts
- AYD Quality
- Safety
- Performance



OE:
1133448
1205697
1207518

11-60029AA

WVA :23446-23224

Technical Specifications:

Shim	Wear Indicator	Indicator Type	Piston Spring	Compression Spring	Rivet	Clips	Bolt	Plastic Plug	Kit
-	2	-	4	-	-	-	4	-	-

FORD

MODEL	START D.	END Y.
GALAXY I (WGR)	1995/03	2006/05

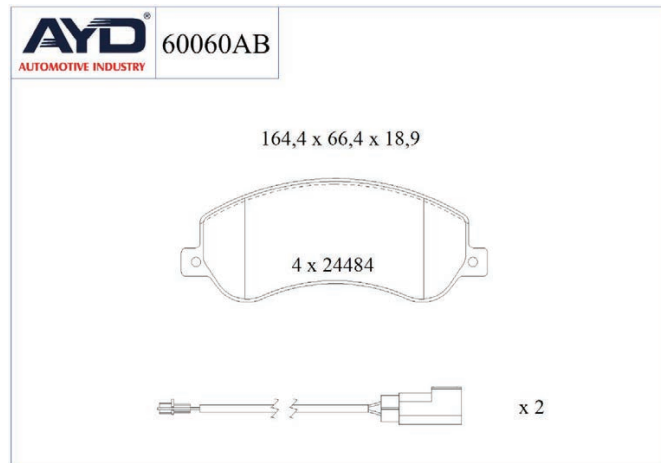


BRAKE PAD

BALATA

- Front Axle

- OEM Standarts
- AYD Quality
- Safety
- Performance



OE:
1371402

11-60060AB

WVA :24484

Technical Specifications:

Shim	Wear Indicator	Indicator Type	Piston Spring	Compression Spring	Rivet	Clips	Bolt	Plastic Plug	Kit
4	2	-	-	-	-	-	-	-	-

FORD

MODEL	START D.	END Y.
TRANSIT Minibus/Bus (FD_-, FB_-, FS_-, FZ_-, - - -)	2006/04	2014/12
TRANSIT Panelvan/Van (FA_ -)	2006/04	2014/12
TRANSIT Platform (FM_-, FN_-, FF_ -)	2006/04	2014/12
TRANSIT TOURNEO Minibus/Bus	2006/07	2014/08

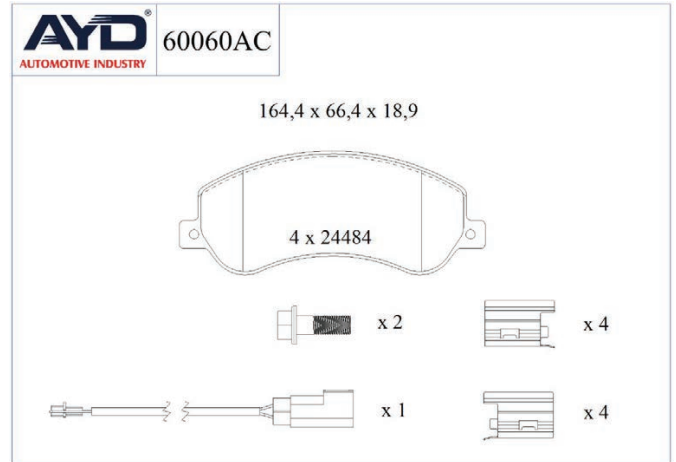
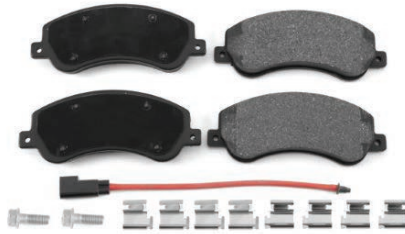


BRAKE PAD

BALATA

- Front Axle

- OEM Standarts
- AYD Quality
- Safety
- Performance



OE:
1371402-M1

11-60060AC

WVA :24484

Technical Specifications:

Shim	Wear Indicator	Indicator Type	Piston Spring	Compression Spring	Rivet	Clips	Bolt	Plastic Plug	Kit
4	1	—	—	—	—	8	2	—	—

FORD

MODEL	START D.	END Y.
TRANSIT Minibus/Bus (FD_-, FB_-, FS_-, FZ_-, —_—)	2006/04	2014/12
TRANSIT Panelvan/Van (FA_—)	2006/04	2014/12
TRANSIT Platform (FM_-, FN_-, FF_—)	2006/04	2014/12
TRANSIT TOURNEO Minibus/Bus	2006/07	2014/08

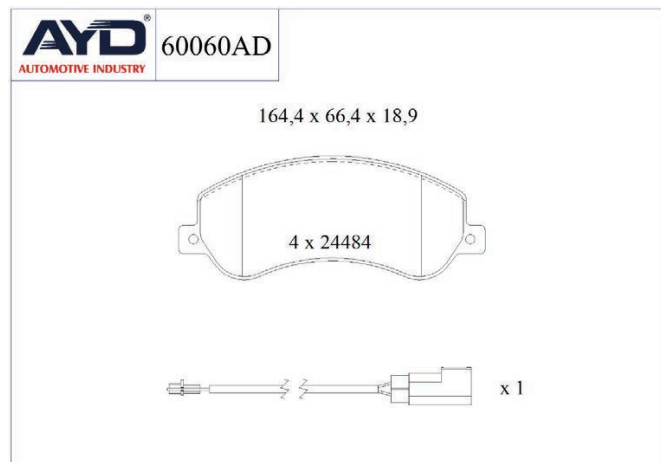


BRAKE PAD

BALATA

- Front Axle

- OEM Standarts
- AYD Quality
- Safety
- Performance



OE:
1371402-M2

11-60060AD

WVA :24484

Technical Specifications:

Shim	Wear Indicator	Indicator Type	Piston Spring	Compression Spring	Rivet	Clips	Bolt	Plastic Plug	Kit
4	1	-	-	-	-	-	-	-	-

FORD

MODEL	START D.	END Y.
TRANSIT Minibus/Bus (FD_-, FB_-, FS_-, FZ_-, - - - -)	2006/04	2014/12
TRANSIT Panelvan/Van (FA_ -)	2006/04	2014/12
TRANSIT Platform (FM_-, FN_-, FF_ -)	2006/04	2014/12
TRANSIT TOURNEO Minibus/Bus	2006/07	2014/08

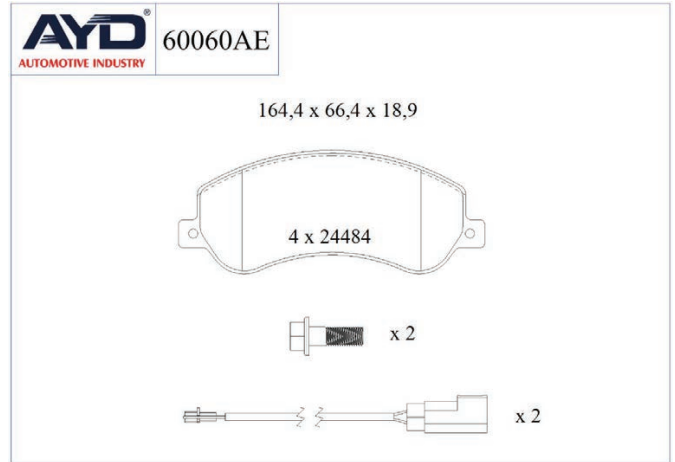


BRAKE PAD

BALATA

- Front Axle

- OEM Standarts
- AYD Quality
- Safety
- Performance



OE:
1371402-M3

11-60060AE

WVA :24484

Technical Specifications:

Shim	Wear Indicator	Indicator Type	Piston Spring	Compression Spring	Rivet	Clips	Bolt	Plastic Plug	Kit
4	2	-	-	-	-	-	2	-	-

FORD

MODEL	START D.	END Y.
TRANSIT Minibus/Bus (FD_-, FB_-, FS_-, FZ_-, - - -)	2006/04	2014/12
TRANSIT Panelvan/Van (FA_-)	2006/04	2014/12
TRANSIT Platform (FM_-, FN_-, FF_-)	2006/04	2014/12
TRANSIT TOURNEO Minibus/Bus	2006/07	2014/08

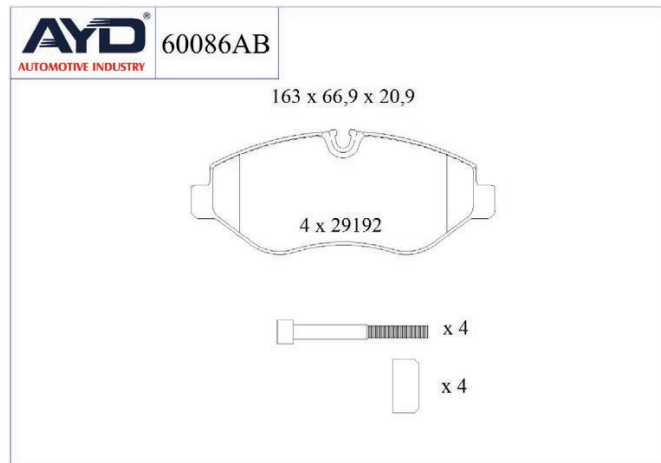


BRAKE PAD

BALATA

- Front Axle

- OEM Standarts
- AYD Quality
- Safety
- Performance



OE:
0044208320-M1

11-60086AB

WVA :29192

Technical Specifications:

Shim	Wear Indicator	Indicator Type	Piston Spring	Compression Spring	Rivet	Clips	Bolt	Plastic Plug	Kit
4	-	-	-	-	-	-	-	-	1

FREIGHTLINER

MODEL	START D.	END Y.
SPRINTER 2500 Cab & Chassis	2006/09	2007/12
SPRINTER 2500 Extended Cargo Van	2006/09	
SPRINTER 2500 Standard Cargo Van	2006/09	
SPRINTER 2500 Standard Passenger Van	2006/09	
SPRINTER 3500 Cab & Chassis	2006/09	
SPRINTER 3500 Extended Cargo Van	2006/09	
SPRINTER 3500 Standard Cargo Van	2006/09	
SPRINTER 3500 Standard Passenger Van	2006/09	

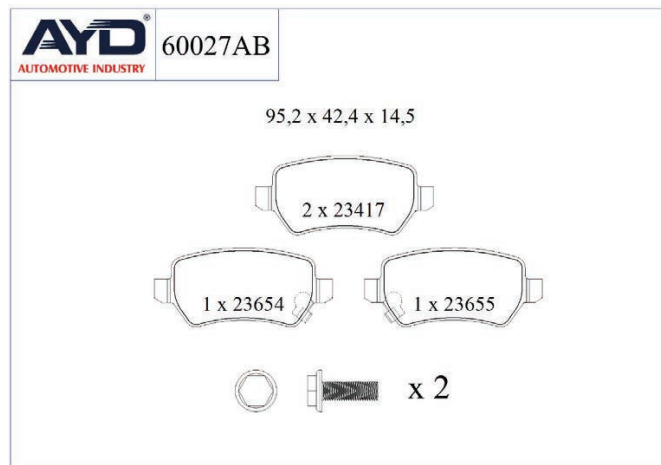


BRAKE PAD

BALATA

- Rear Axle

- OEM Standarts
- AYD Quality
- Safety
- Performance



OE:
1605233

11-60027AB

WVA :23417-23654-23655

Technical Specifications:

Shim	Wear Indicator	Indicator Type	Piston Spring	Compression Spring	Rivet	Clips	Bolt	Plastic Plug	Kit
-	2	-	-	-	-	-	2	-	-

HOLDEN

MODEL	START D.	END Y.
ASTRA Cabrio (TS)	2001/02	2006/12
ASTRA Hatchback (TS)	1998/02	2005/10
ASTRA Sedan (TS)	1998/02	2005/10
BARINA Hatchback (XC)	2000/09	2005/12
COMBO Panelvan/Van (XC)	2001/08	
ZAFIRA (TT)	2000/07	2006/02

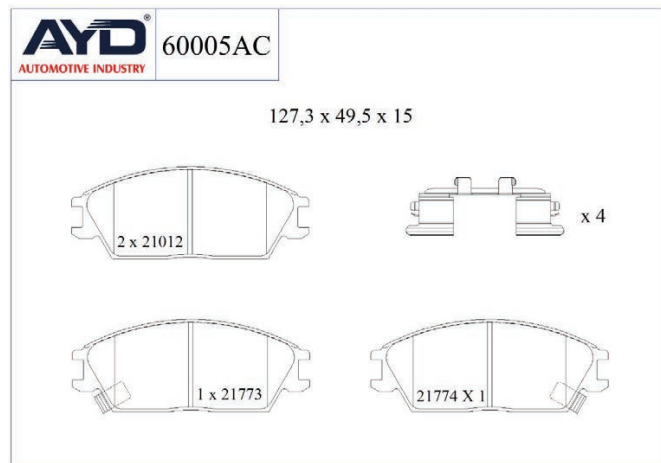


BRAKE PAD

BALATA

- Front Axle

- OEM Standarts
- AYD Quality
- Safety
- Performance



OE:
45022SA6N50-M1

11-60005AC

WVA :21012-21773-21774

Technical Specifications:

Shim	Wear Indicator	Indicator Type	Piston Spring	Compression Spring	Rivet	Clips	Bolt	Plastic Plug	Kit
4	2	-	-	-	-	4	-	-	-

HONDA

MODEL	START D.	END Y.
ACCORD II (AC, AD)	1983/09	1985/10
ACCORD II Hatchback (AC, AD)	1983/09	1985/10

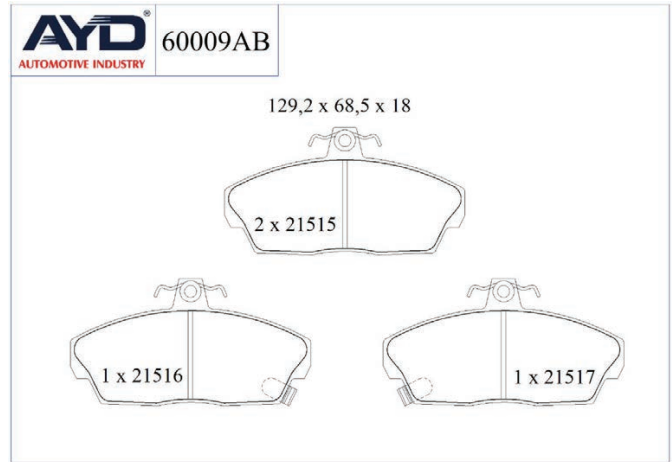
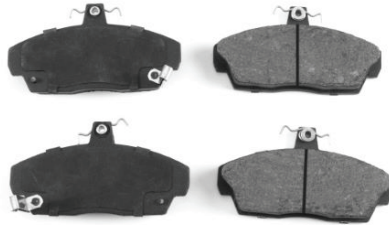


BRAKE PAD

BALATA

- Front Axle

- OEM Standarts
- AYD Quality
- Safety
- Performance



OE:
45022S6DE01
45022S6DE50
45022S6DE51

11-60009AB

WVA :21515-21516-21517

Technical Specifications:

Shim	Wear Indicator	Indicator Type	Piston Spring	Compression Spring	Rivet	Clips	Bolt	Plastic Plug	Kit
4	2	—	—	4	4	—	—	—	—

HONDA

MODEL	START D.	END Y.
CIVIC VI Aerodeck (MB, MC)	1998/04	2001/02
CIVIC VI Fastback (MA, MB)	1994/09	2001/02
CIVIC VI Hatchback (EJ, EK)	1995/10	2001/02
CIVIC VII Coupe (EM2)	2001/02	2005/12
CIVIC VII Hatchback (EU, EP, EV)	1999/03	2006/02
CIVIC VII Sedan (ES, ET)	2000/10	2006/04
CONCERTO (HW, MA)	1989/08	1996/10
CONCERTO Sedan (HWW)	1989/08	1995/05



BRAKE PAD

BALATA

- Front Axle

- OEM Standarts
- AYD Quality
- Safety
- Performance



AYD
AUTOMOTIVE INDUSTRY

60005AA

127,3 x 49,5 x 15



OE:
2101204

11-60005AA

WVA :21012

Technical Specifications:

Shim	Wear Indicator	Indicator Type	Piston Spring	Compression Spring	Rivet	Clips	Bolt	Plastic Plug	Kit
4	-	-	-	-	-	-	-	-	-

HYUNDAI

MODEL	START D.	END Y.
GETZ (TB)	2001/06	2011/01
PONY (X-2)	1989/10	1995/01
PONY / EXCEL Sedan (X-2)	1989/04	1995/01
S COUPE (SLC)	1990/02	1996/05
STELLAR (F31_, SF2_)	1983/10	1991/12

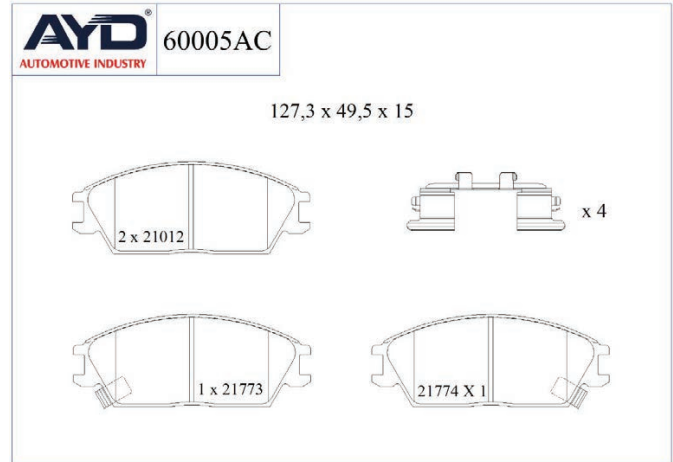


BRAKE PAD

BALATA

- Front Axle

- OEM Standarts
- AYD Quality
- Safety
- Performance



OE:
581011CA00-M1

11-60005AC

WVA :21012-21773-21774

Technical Specifications:

Shim	Wear Indicator	Indicator Type	Piston Spring	Compression Spring	Rivet	Clips	Bolt	Plastic Plug	Kit
4	2	-	-	-	-	4	-	-	-

HYUNDAI

MODEL	START D.	END Y.
ACCENT (X-2)	1989/10	1995/01
ACCENT I (X-3)	1994/05	2002/12
ACCENT II (LC)	1999/09	2012/12
ACCENT II Sedan (LC)	1999/09	2017/11
ACCENT Sedan (X-3)	1994/05	2000/01
GETZ (TB)	2001/06	2011/01
LANTRA I (J-1)	1990/10	1995/11
PONY (X-2)	1989/10	1995/01
PONY / EXCEL Sedan (X-2)	1989/04	1995/01
S COUPE (SLC)	1990/02	1996/05

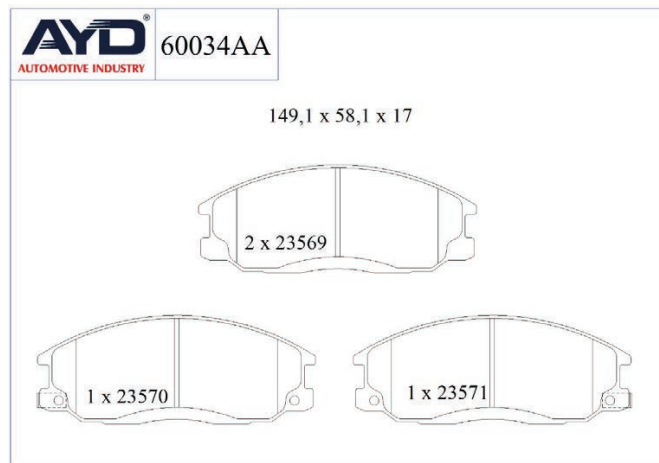


BRAKE PAD

BALATA

- Front Axle

- OEM Standards
- AYD Quality
- Safety
- Performance



OE:

5810126A10

5810126A20

5810126A30

11-60034AA

WVA :23569-23570-23571

Technical Specifications:

Shim	Wear Indicator	Indicator Type	Piston Spring	Compression Spring	Rivet	Clips	Bolt	Plastic Plug	Kit
4	2	-	-	-	-	-	-	-	-

HYUNDAI

MODEL	START D.	END Y.
GRANDEUR (LX)	1992/08	1999/05
H-1 / STAREX Minibus/Bus (A1)	1997/06	
H-1 Panelvan/Van (A1)	1997/10	2008/04
H-1 Platform	2000/06	2006/10
H-1 Travel (TQ)	2007/09	
HIGHWAY VAN	2000/03	2004/03
PORTER Panelvan/Van	2004/05	
SANTA FÉ I (SM)	2000/11	2006/03
TRAJET (FO)	2000/01	2008/07
XG (XG)	1998/12	2005/12

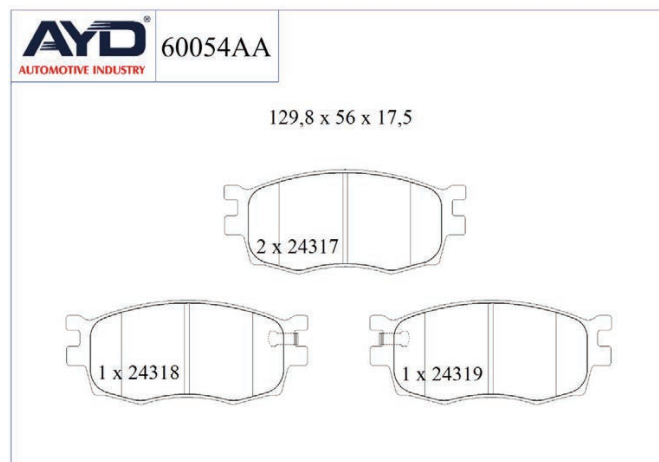


BRAKE PAD

BALATA

- Front Axle

- OEM Standarts
- AYD Quality
- Safety
- Performance



OE:
581011GE00
581011GA00
S581011GE00

11-60054AA

WVA :24317-24318-24319

Technical Specifications:

Shim	Wear Indicator	Indicator Type	Piston Spring	Compression Spring	Rivet	Clips	Bolt	Plastic Plug	Kit
4	2	-	-	-	-	-	-	-	-

HYUNDAI

MODEL	START D.	END Y.
ACCENT II Sedan (LC)	1999/09	2017/11
ACCENT III (MC)	2005/11	2010/12
ACCENT III Sedan (MC)	2005/11	2012/12
ACCENT IV Sedan (RB)	2010/08	

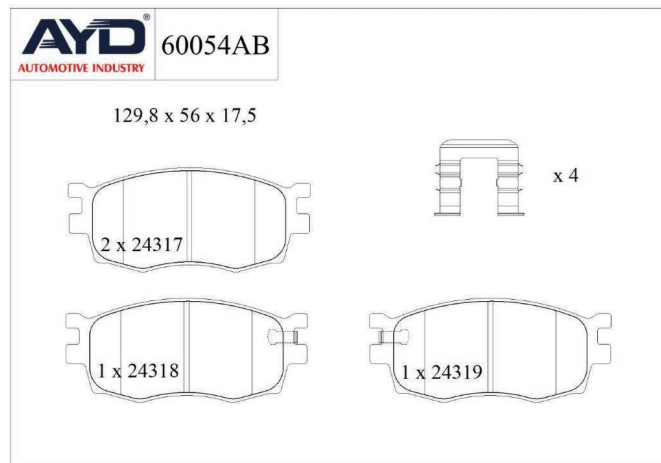
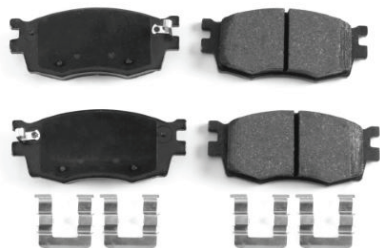


BRAKE PAD

BALATA

- Front Axle

- OEM Standarts
- AYD Quality
- Safety
- Performance



OE:
581011GE00-M1

11-60054AB

WVA :24317-24318-24319

Technical Specifications:

Shim	Wear Indicator	Indicator Type	Piston Spring	Compression Spring	Rivet	Clips	Bolt	Plastic Plug	Kit
4	2	-	-	-	-	4	-	-	-

HYUNDAI

MODEL	START D.	END Y.
ACCENT II Sedan (LC)	1999/09	2017/11
ACCENT III (MC)	2005/11	2010/12
ACCENT III Sedan (MC)	2005/11	2012/12
ACCENT IV Sedan (RB)	2010/08	

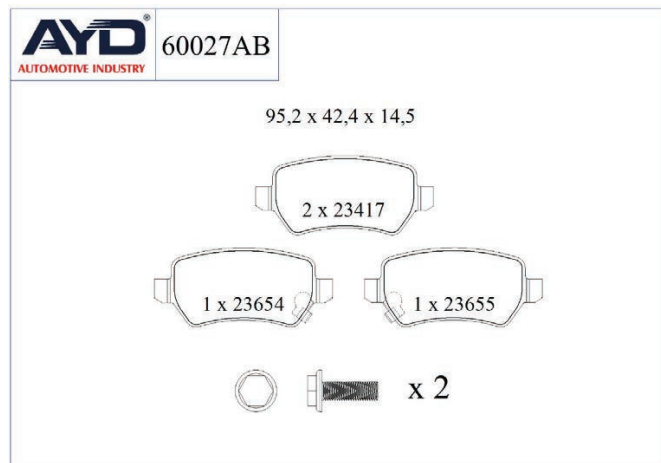


BRAKE PAD

BALATA

- Rear Axle

- OEM Standarts
- AYD Quality
- Safety
- Performance



OE:
583021PA30

11-60027AB

WVA :23417-23654-23655

Technical Specifications:

Shim	Wear Indicator	Indicator Type	Piston Spring	Compression Spring	Rivet	Clips	Bolt	Plastic Plug	Kit
-	2	-	-	-	-	-	2	-	-

KIA

MODEL	START D.	END Y.
CERATO III Hatchback (YD)	2012/09	
VENGA (YN)	2010/02	
VENGA Hatchback Van (YN)	2010/02	

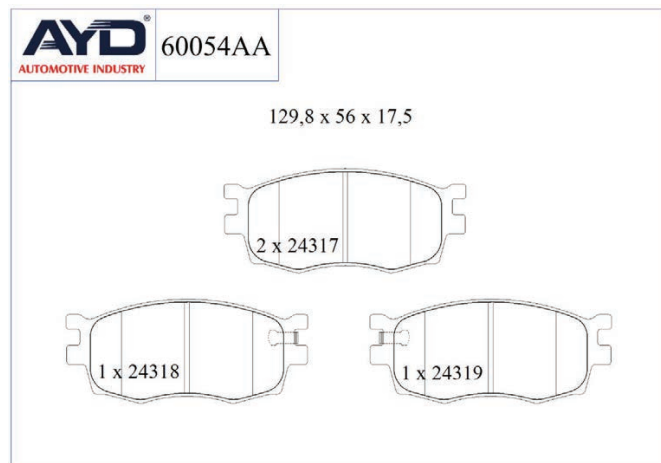


BRAKE PAD

BALATA

- Front Axle

- OEM Standarts
- AYD Quality
- Safety
- Performance



OE:
581011GA00

11-60054AA

WVA :24317-24318-24319

Technical Specifications:

Shim	Wear Indicator	Indicator Type	Piston Spring	Compression Spring	Rivet	Clips	Bolt	Plastic Plug	Kit
4	2	-	-	-	-	-	-	-	-

KIA

MODEL	START D.	END Y.
PRIDE (DA)	1990/01	2011/12
RIO II (JB)	2005/03	
RIO II Sedan (JB)	2005/03	
RIO III Sedan (UB)	2010/09	

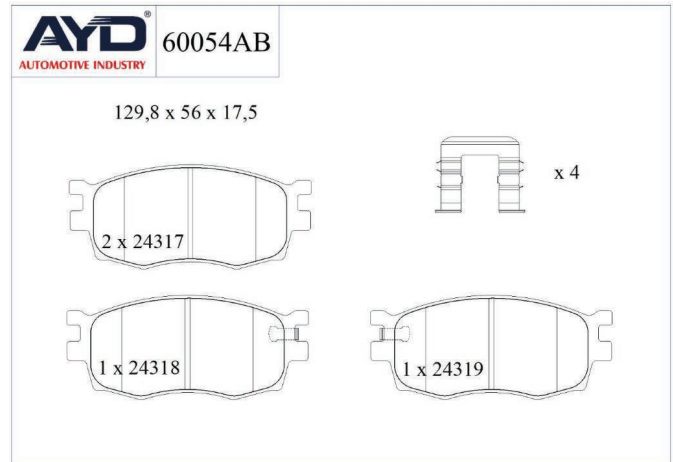
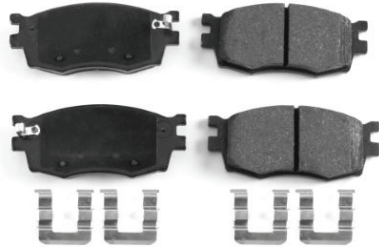


BRAKE PAD

BALATA

- Front Axle

- OEM Standarts
- AYD Quality
- Safety
- Performance



OE:
581011GA00-M1

11-60054AB

WVA :24317-24318-24319

Technical Specifications:

Shim	Wear Indicator	Indicator Type	Piston Spring	Compression Spring	Rivet	Clips	Bolt	Plastic Plug	Kit
4	2	-	-	-	-	4	-	-	-

KIA

MODEL	START D.	END Y.
PRIDE (DA)	1990/01	2011/12
RIO II (JB)	2005/03	
RIO II Sedan (JB)	2005/03	
RIO III Sedan (UB)	2010/09	

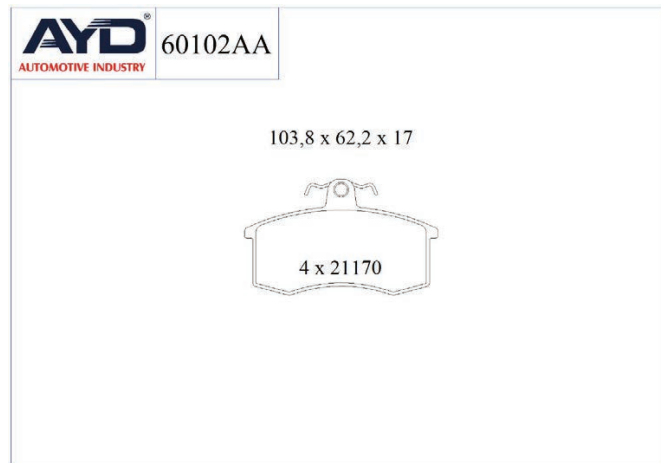
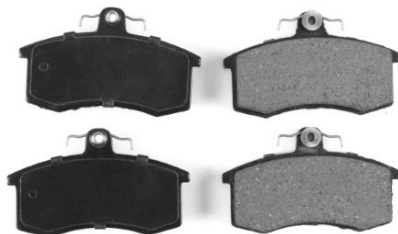


BRAKE PAD

BALATA

- Front Axle

- OEM Standarts
- AYD Quality
- Safety
- Performance



OE:
410805PA0A
21083501089
21083501090

11-60102AA

WVA :21170

Technical Specifications:

Shim	Wear Indicator	Indicator Type	Piston Spring	Compression Spring	Rivet	Clips	Bolt	Plastic Plug	Kit
4	-	-	-	4	4	-	-	-	-

LADA

MODEL	START D.	END Y.
111 (2111)	1995/01	2009/02
112 (2112)	1995/01	2011/12
KALINA Hatchback (1119)	2004/10	2013/12
KALINA Sedan (1118)	2004/10	2013/12
KALINA Station wagon (1117)	2004/10	2013/12
PRIORA Hatchback (2172)	2008/02	2015/12
PRIORA Sedan (2170_)	2007/04	2018/07
PRIORA Station wagon (2171)	2009/05	2015/12
SAMARA (2108, 2109, 2113, 2114)	1984/09	2013/12
SAMARA Sedan (21099, 2115)	1987/09	2012/12

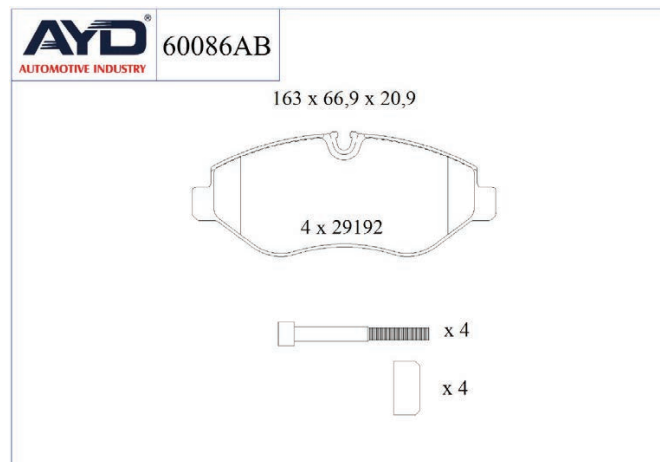


BRAKE PAD

BALATA

- Front Axle

- OEM Standarts
- AYD Quality
- Safety
- Performance



OE:
0044208320-M1

11-60086AB

WVA :29192

Technical Specifications:

Shim	Wear Indicator	Indicator Type	Piston Spring	Compression Spring	Rivet	Clips	Bolt	Plastic Plug	Kit
4	-	-	-	-	-	-	-	-	1

MERCEDES-BENZ

MODEL	START D.	END Y.
MARCO POLO Camper (W447)	2015/03	
SPRINTER 3-t Minibus/Bus (B906)	2006/06	
SPRINTER 3-t Panelvan/Van (B906)	2006/06	
SPRINTER 3-t Platform (B906)	2006/06	
SPRINTER 3-t Tourer Bus (B907)	2018/02	
SPRINTER 3,5-t Minibus/Bus (B906)	2006/06	
SPRINTER 3,5-t Panelvan/Van (B906)	2006/06	
SPRINTER 3,5-t Panelvan/Van (B907, B910)	2018/02	
SPRINTER 3,5-t Platform (B906)	2006/06	
SPRINTER 3,5-t Platform (B907, B910)	2018/02	

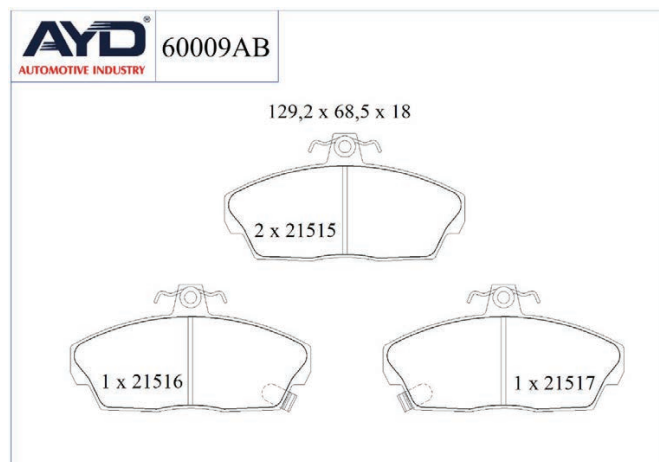


BRAKE PAD

BALATA

- Front Axle

- OEM Standarts
- AYD Quality
- Safety
- Performance



OE:
 GBP90313
 GBP90325
 SFP000390

11-60009AB

WVA :21515-21516-21517

Technical Specifications:

Shim	Wear Indicator	Indicator Type	Piston Spring	Compression Spring	Rivet	Clips	Bolt	Plastic Plug	Kit
4	2	—	—	4	4	—	—	—	—

MG

MODEL	START D.	END Y.
EXPRESS	2003/03	2005/05
MG ZR	2001/06	2005/04
MG ZS	2001/07	2005/04
MG ZS Hatchback	2001/07	2005/10
MGR V8	1992/09	1995/12

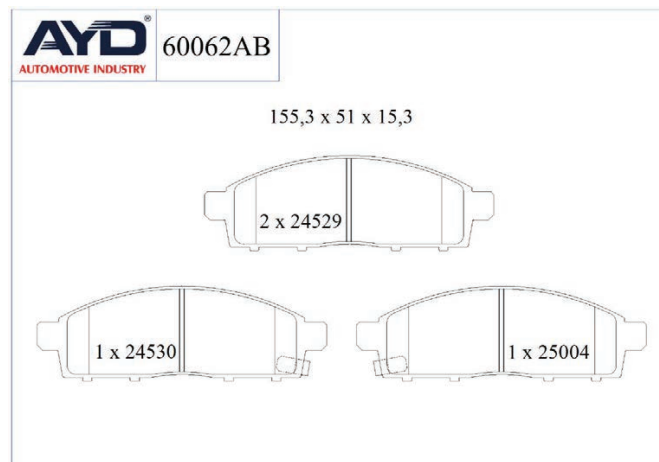


BRAKE PAD

BALATA

- Front Axle

- OEM Standarts
- AYD Quality
- Safety
- Performance



OE:
MZ690356-M1
MZ690587-M1

11-60062AB

WVA :24529-24530-25004

Technical Specifications:

Shim	Wear Indicator	Indicator Type	Piston Spring	Compression Spring	Rivet	Clips	Bolt	Plastic Plug	Kit
-	2	-	-	-	-	-	-	-	-

MITSUBISHI

MODEL	START D.	END Y.
L200 / TRITON (KA_T, KB_T)	2004/01	2016/12
L200 / TRITON (KJ_, KK_, KL_)	2014/11	
PAJERO SPORT II (KH_, KG_)	2008/01	

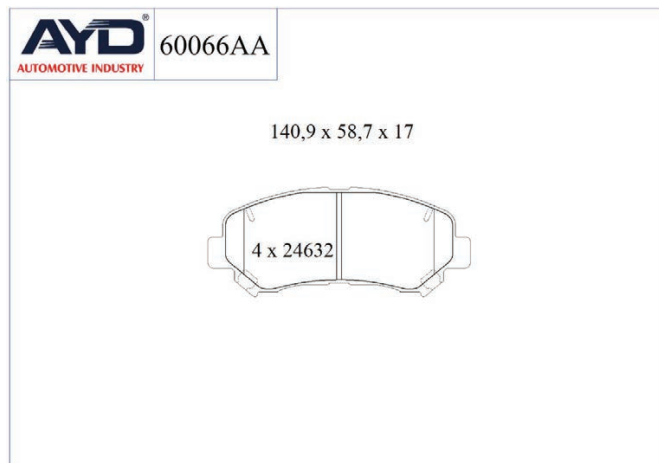


BRAKE PAD

BALATA

- Front Axle

- OEM Standarts
- AYD Quality
- Safety
- Performance



OE:
AY040NS132
AY040NS152
D10603UB0A

11-60066AA

WVA :24632

Technical Specifications:

Shim	Wear Indicator	Indicator Type	Piston Spring	Compression Spring	Rivet	Clips	Bolt	Plastic Plug	Kit
4	2	-	-	-	-	-	-	-	-

NISSAN

MODEL	START D.	END Y.
JUKE (F15)	2010/06	
MAXIMA VII (A35)	2008/09	
MAXIMA VIII (A36)	2015/05	
QASHQAI / QASHQAI +2 I (J10, NJ10, JJ10E)	2006/12	2014/04
SENTRA VI (B16)	2006/09	2013/12
X-TRAIL (T31)	2007/03	2018/12
X-TRAIL (T32_)	2013/10	

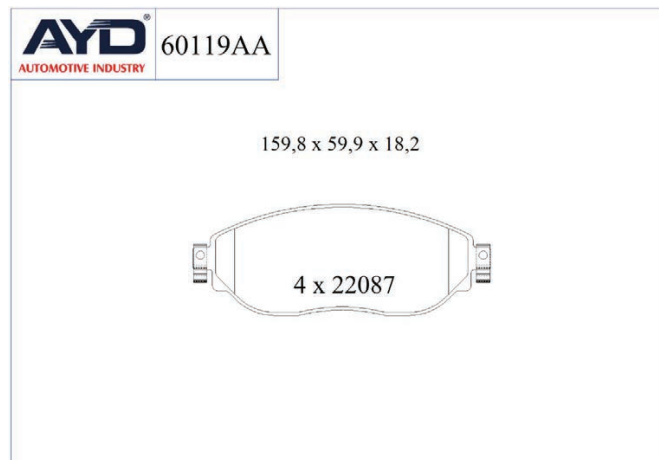


BRAKE PAD

BALATA

- Front Axle

- OEM Standarts
- AYD Quality
- Safety
- Performance



OE:
4106000Q1H
4106000Q2F

11-60119AA

WVA :22087

Technical Specifications:

Shim	Wear Indicator	Indicator Type	Piston Spring	Compression Spring	Rivet	Clips	Bolt	Plastic Plug	Kit
4	-	-	-	8	-	-	-	-	-

NISSAN

MODEL	START D.	END Y.
NV300 (X82)	2016/09	
NV300 Panelvan/Van (X82)	2016/09	



BRAKE PAD

BALATA

- Rear Axle

- OEM Standarts
- AYD Quality
- Safety
- Performance



OE:
1605995
95507655

11-60027AA

WVA :23417

Technical Specifications:

Shim	Wear Indicator	Indicator Type	Piston Spring	Compression Spring	Rivet	Clips	Bolt	Plastic Plug	Kit
-	-	-	-	-	-	-	2	-	-

OPEL

MODEL	START D.	END Y.
ASTRA G van (F70)	1998/09	2005/04
ASTRA G CLASSIC (T98)	2004/03	2009/07
ASTRA G CLASSIC Caravan (F35)	2004/03	2009/07
ASTRA G CLASSIC Sedan (T98)	2004/03	2009/07
ASTRA H van (L70)	2004/02	2013/12
ASTRA H CLASSIC Hatchback (A04)	2009/01	
ASTRA H CLASSIC Sedan (A04)	2007/02	
ASTRA H CLASSIC Station wagon (A04)	2006/12	
ASTRA H GTC (A04)	2005/03	2010/10
ASTRA H Sedan (A04)	2007/02	2014/05

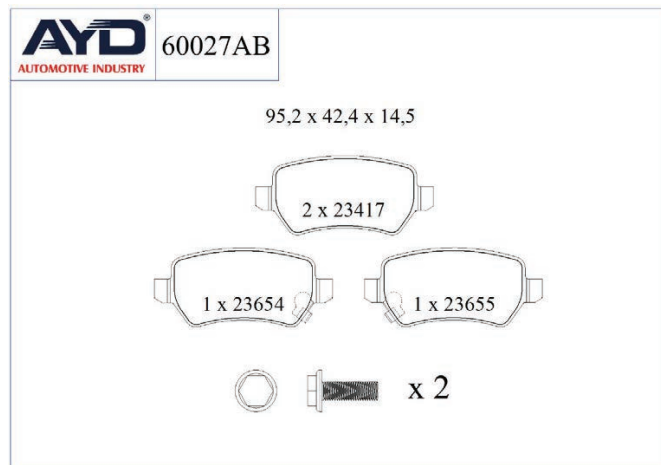


BRAKE PAD

BALATA

- Rear Axle

- OEM Standarts
- AYD Quality
- Safety
- Performance



OE:
1605122
1605233
1605625

11-60027AB

WVA :23417-23654-23655

Technical Specifications:

Shim	Wear Indicator	Indicator Type	Piston Spring	Compression Spring	Rivet	Clips	Bolt	Plastic Plug	Kit
-	2	-	-	-	-	-	2	-	-

OPEL

MODEL	START D.	END Y.
ASTRA G van (F70)	1998/09	2005/04
ASTRA G Cabrio (T98)	2001/03	2005/10
ASTRA G CLASSIC Caravan (F35)	2004/03	2009/07
ASTRA G Coupe (T98)	2000/03	2005/05
ASTRA G Hatchback (T98)	1998/02	2009/12
ASTRA G Sedan (T98)	1998/03	2009/12
ASTRA G Station wagon (T98)	1998/02	2004/07
ASTRA H van (L70)	2004/02	2013/12
ASTRA H (A04)	2004/01	2014/05
ASTRA H CLASSIC Hatchback (A04)	2009/01	

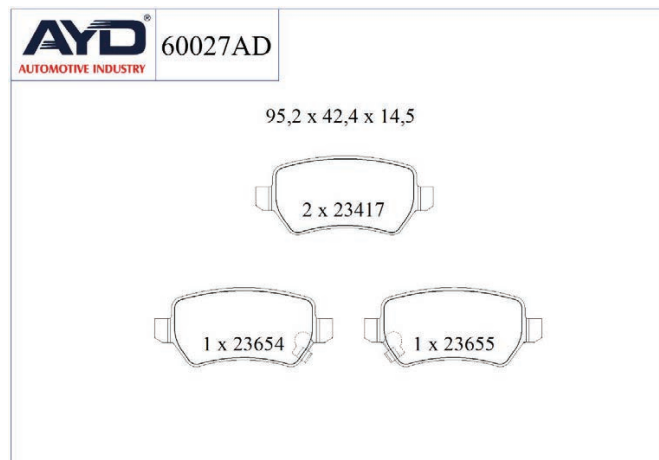


BRAKE PAD

BALATA

- Rear Axle

- OEM Standarts
- AYD Quality
- Safety
- Performance



OE:
1605086

11-60027AD

WVA :23417-23654-23655

Technical Specifications:

Shim	Wear Indicator	Indicator Type	Piston Spring	Compression Spring	Rivet	Clips	Bolt	Plastic Plug	Kit
-	2	-	-	-	-	-	-	-	-

OPEL

MODEL	START D.	END Y.
ASTRA G van (F70)	1998/09	2005/04
ASTRA G CLASSIC (T98)	2004/03	2009/07
ASTRA G CLASSIC Caravan (F35)	2004/03	2009/07
ASTRA G CLASSIC Sedan (T98)	2004/03	2009/07
ASTRA H van (L70)	2004/02	2013/12
ASTRA H CLASSIC Hatchback (A04)	2009/01	
ASTRA H CLASSIC Sedan (A04)	2007/02	
ASTRA H CLASSIC Station wagon (A04)	2006/12	
ASTRA H GTC (A04)	2005/03	2010/10
ASTRA H Sedan (A04)	2007/02	2014/05

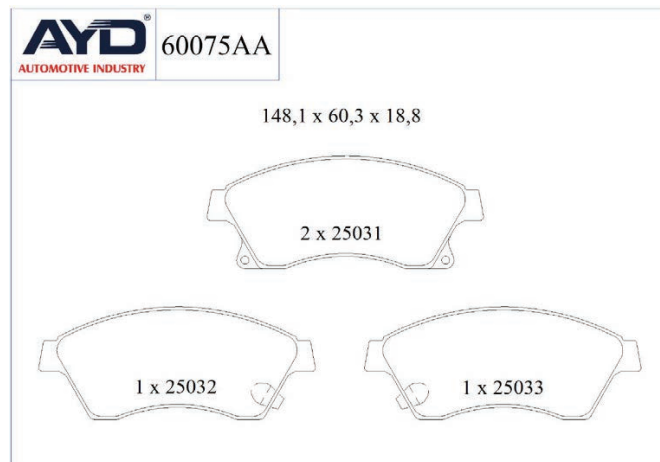


BRAKE PAD

BALATA

- Front Axle

- OEM Standarts
- AYD Quality
- Safety
- Performance



OE:
13301207
13374966
13412272

11-60075AA

WVA :25031-25032-25033

Technical Specifications:

Shim	Wear Indicator	Indicator Type	Piston Spring	Compression Spring	Rivet	Clips	Bolt	Plastic Plug	Kit
4	2	-	-	-	-	-	-	-	-

OPEL

MODEL	START D.	END Y.
ASTRA H CLASSIC Hatchback (A04)	2009/01	
ASTRA J (P10)	2009/09	2015/10
ASTRA J van (P10)	2009/09	2015/10
ASTRA J (P10)	2009/09	2015/10
ASTRA J GTC	2011/10	
ASTRA J Sedan	2012/06	
ASTRA J Sports Tourer (P10)	2010/10	2015/10

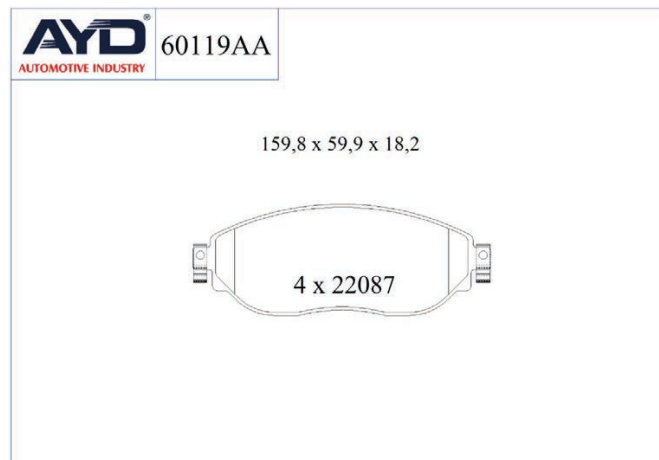


BRAKE PAD

BALATA

- Front Axle

- OEM Standarts
- AYD Quality
- Safety
- Performance



OE:
4423587
95518304
95518893

11-60119AA

WVA :22087

Technical Specifications:

Shim	Wear Indicator	Indicator Type	Piston Spring	Compression Spring	Rivet	Clips	Bolt	Plastic Plug	Kit
4	-	-	-	8	-	-	-	-	-

OPEL

MODEL	START D.	END Y.
VIVARO B Minibus/Bus (X82)	2014/06	
VIVARO B Panelvan/Van (X82)	2014/06	
VIVARO B Platform (X82)	2014/06	

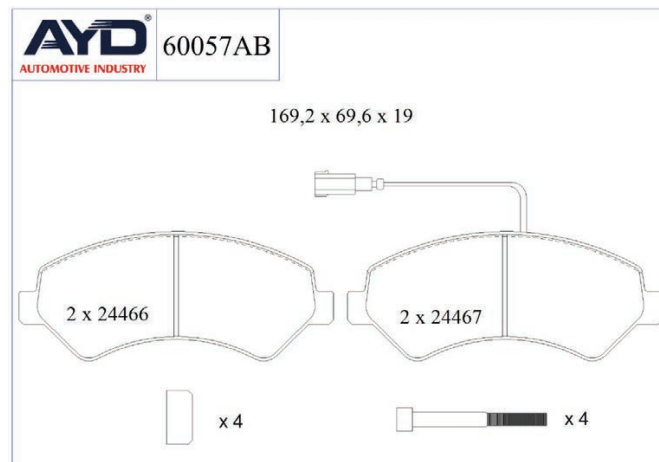


BRAKE PAD

BALATA

- Front Axle

- OEM Standarts
- AYD Quality
- Safety
- Performance



OE:
1607878780
1607878980
425373

11-60057AB

WVA :24467-24466

Technical Specifications:

Shim	Wear Indicator	Indicator Type	Piston Spring	Compression Spring	Rivet	Clips	Bolt	Plastic Plug	Kit
4	2	-	-	-	-	-	-	-	1

PEUGEOT

MODEL	START D.	END Y.
BOXER Minibus/Bus	2005/09	
BOXER Minibus/Bus (244, Z_)	2001/12	
BOXER Panelvan/Van	2006/04	
BOXER Panelvan/Van (244)	2001/12	
BOXER Platform	2006/04	

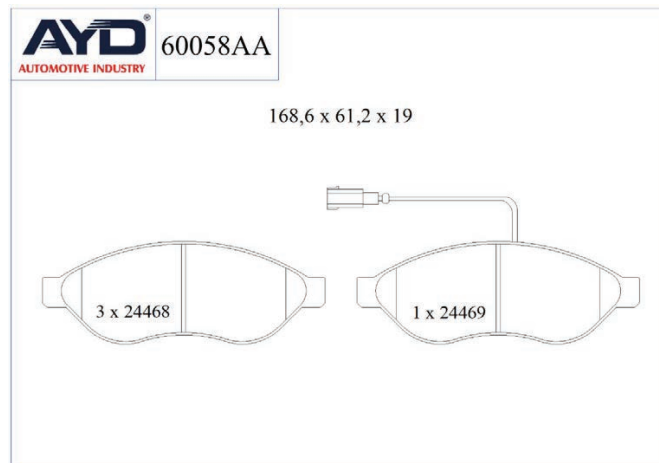


BRAKE PAD

BALATA

- Front Axle

- OEM Standarts
- AYD Quality
- Safety
- Performance



OE:
1611457380

11-60058AA

WVA :24468-24469

Technical Specifications:

Shim	Wear Indicator	Indicator Type	Piston Spring	Compression Spring	Rivet	Clips	Bolt	Plastic Plug	Kit
4	1	-	-	-	-	-	-	-	-

PEUGEOT

MODEL	START D.	END Y.
BOXER Minibus/Bus	2005/09	
BOXER Minibus/Bus (244, Z_)	2001/12	
BOXER Panelvan/Van	2006/04	
BOXER Panelvan/Van (244)	2001/12	
BOXER Platform	2006/04	

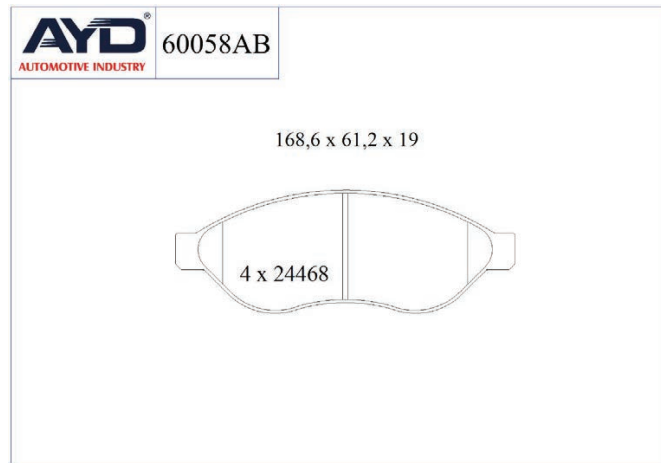


BRAKE PAD

BALATA

- Front Axle

- OEM Standarts
- AYD Quality
- Safety
- Performance



OE:
1611457380-M

11-60058AB

WVA :24468

Technical Specifications:

Shim	Wear Indicator	Indicator Type	Piston Spring	Compression Spring	Rivet	Clips	Bolt	Plastic Plug	Kit
4	-	-	-	-	-	-	-	-	-

PEUGEOT

MODEL	START D.	END Y.
BOXER Minibus/Bus	2005/09	
BOXER Minibus/Bus (244, Z_)	2001/12	
BOXER Panelvan/Van	2006/04	
BOXER Panelvan/Van (244)	2001/12	
BOXER Platform	2006/04	

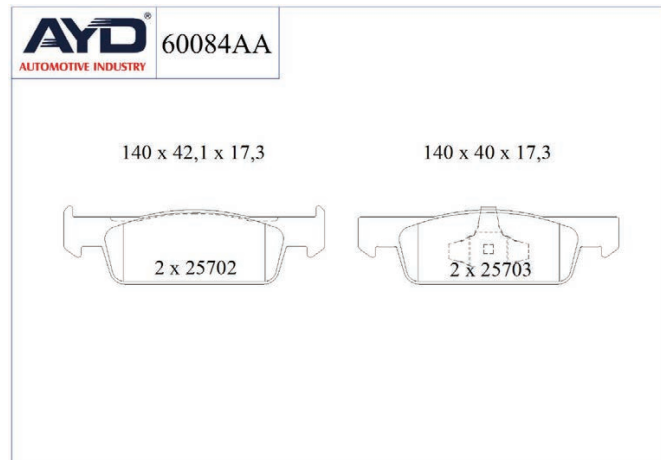


BRAKE PAD

BALATA

- Front Axle

- OEM Standarts
- AYD Quality
- Safety
- Performance



OE:
410605612R
410602581R
410605951R

11-60084AA

WVA :25703-25702

Technical Specifications:

Shim	Wear Indicator	Indicator Type	Piston Spring	Compression Spring	Rivet	Clips	Bolt	Plastic Plug	Kit
-	-	-	2	-	-	-	-	-	-

RENAULT

MODEL	START D.	END Y.
CLIO IV (BH_)	2014/01	
CLIO IV (BH_)	2012/11	
CLIO IV Grandtour (KH_)	2013/01	
LOGAN II Station wagon (K8_)	2013/11	
LOGAN/STEPWAY II (L8_)	2012/09	
SANDERO/STEPWAY II (B8_)	2013/11	
THALIA III (L8_)	2013/12	
TWINGO III (BCM_)	2014/09	



BRAKE PAD

BALATA

- Rear Axle

- OEM Standarts
- AYD Quality
- Safety
- Performance



OE:
7701206784

11-60099AA

WVA :20961

Technical Specifications:

Shim	Wear Indicator	Indicator Type	Piston Spring	Compression Spring	Rivet	Clips	Bolt	Plastic Plug	Kit
4	-	-	-	4	-	-	-	-	-

RENAULT

MODEL	START D.	END Y.
Megane I van (KA_)	2000/02	2003/07
MEGANE I Grandtour (KA0/1_)	1999/03	2003/08
MEGANE Scenic (JA0/1_)	1996/10	2001/12
SCÉNIC I MPV (JA0/1_, FA0_)	1999/08	2010/07

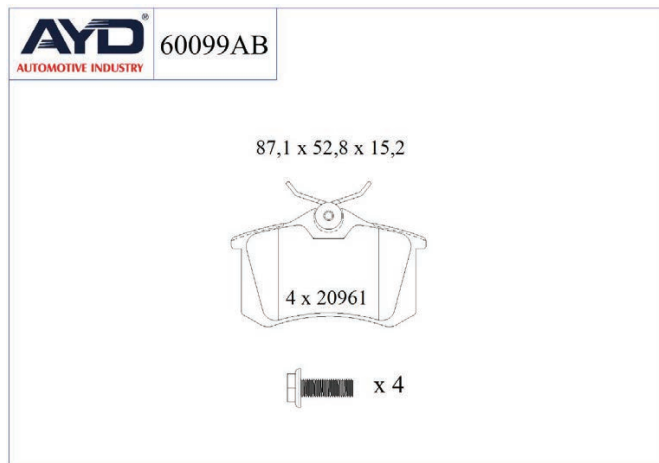


BRAKE PAD

BALATA

- Rear Axle

- OEM Standarts
- AYD Quality
- Safety
- Performance



OE:
7701206784-M

11-60099AB

WVA :20961

Technical Specifications:

Shim	Wear Indicator	Indicator Type	Piston Spring	Compression Spring	Rivet	Clips	Bolt	Plastic Plug	Kit
4	-	-	-	4	-	-	4	-	-

RENAULT

MODEL	START D.	END Y.
Megane I van (KA_)	2000/02	2003/07
MEGANE I Grandtour (KA0/1_)	1999/03	2003/08
MEGANE Scenic (JA0/1_)	1996/10	2001/12
SCÉNIC I MPV (JA0/1_, FA0_)	1999/08	2010/07

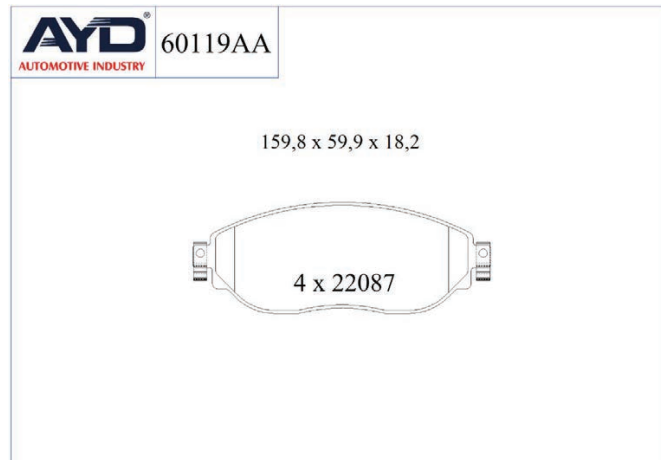


BRAKE PAD

BALATA

- Front Axle

- OEM Standarts
- AYD Quality
- Safety
- Performance



OE:
410601073R
410604868R
410608638R

11-60119AA

WVA :22087

Technical Specifications:

Shim	Wear Indicator	Indicator Type	Piston Spring	Compression Spring	Rivet	Clips	Bolt	Plastic Plug	Kit
4	-	-	-	8	-	-	-	-	-

RENAULT

MODEL	START D.	END Y.
TRAFIC III Minibus/Bus (JG_)	2014/05	
TRAFIC III Panelvan/Van (FG_)	2014/05	
TRAFIC III Platform (EG_)	2014/05	

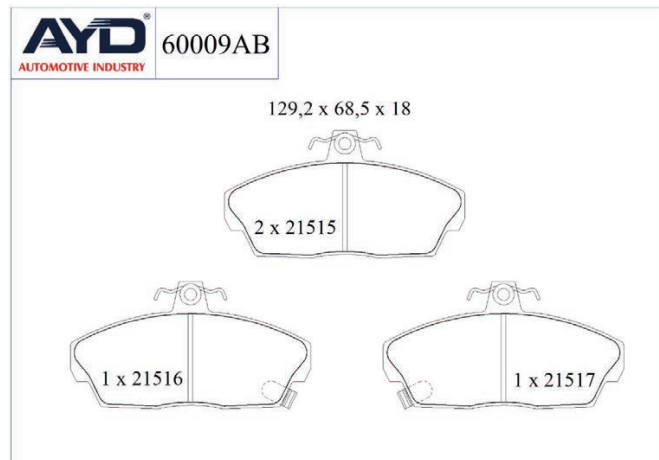
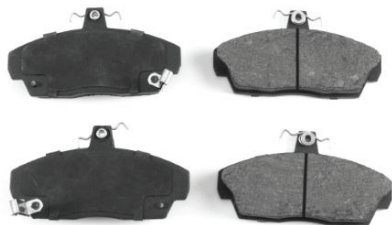


BRAKE PAD

BALATA

- Front Axle

- OEM Standards
- AYD Quality
- Safety
- Performance



OE:
GBP90313
GBP90315
GBP90315AF

11-60009AB

WVA :21515-21516-21517

Technical Specifications:

Shim	Wear Indicator	Indicator Type	Piston Spring	Compression Spring	Rivet	Clips	Bolt	Plastic Plug	Kit
4	2	—	—	4	4	—	—	—	—

ROVER

MODEL	START D.	END Y.
200 Coupe (XW)	1992/10	1999/06
200 II Cabrio (XW)	1990/04	1999/11
200 II Hatchback (RF)	1995/11	2000/11
200 II Hatchback (XW)	1989/10	1995/12
25 COMMERCE (RF)	2003/01	2005/12
25 I Hatchback (RF)	1999/09	2006/06
400 II (RT)	1995/03	2000/03
400 II (XW)	1990/04	1995/04
400 II Hatchback (RT)	1995/05	2000/03
400 Tourer (XW)	1993/09	1998/11

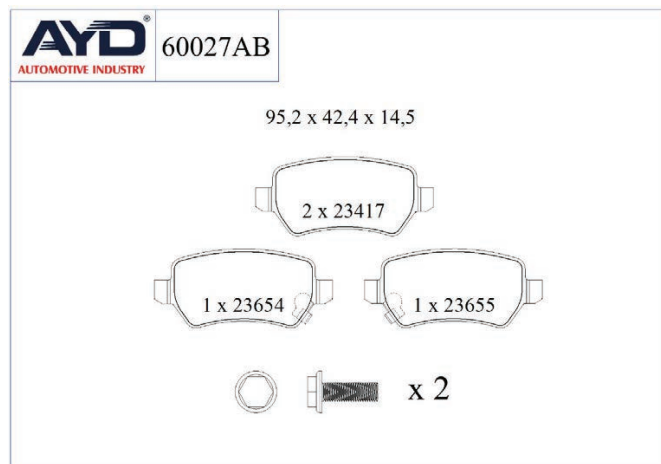


BRAKE PAD

BALATA

- Rear Axle

- OEM Standarts
- AYD Quality
- Safety
- Performance



OE:
93193613

11-60027AB

WVA :23417-23654-23655

Technical Specifications:

Shim	Wear Indicator	Indicator Type	Piston Spring	Compression Spring	Rivet	Clips	Bolt	Plastic Plug	Kit
-	2	-	-	-	-	-	2	-	-

SATURN

MODEL	START D.	END Y.
ASTRA	2003/09	2009/12

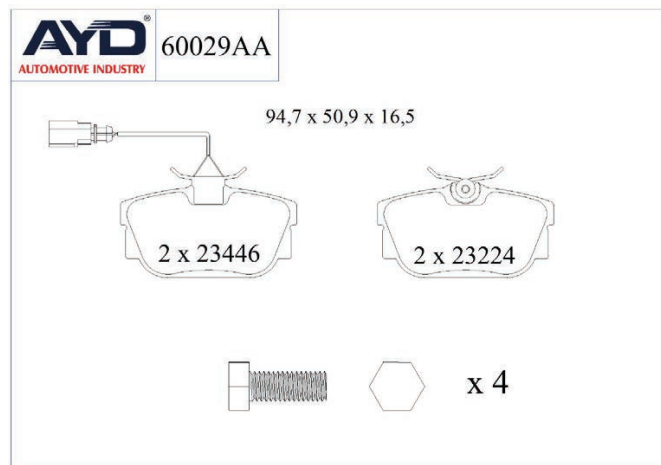
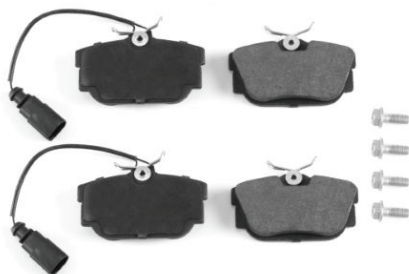


BRAKE PAD

BALATA

- Rear Axle

- OEM Standarts
- AYD Quality
- Safety
- Performance



OE:
7D0698451B
7D0698451F
7M3698451D

11-60029AA

WVA :23446-23224

Technical Specifications:

Shim	Wear Indicator	Indicator Type	Piston Spring	Compression Spring	Rivet	Clips	Bolt	Plastic Plug	Kit
-	2	-	4	-	-	-	4	-	-

SEAT

MODEL	START D.	END Y.
ALHAMBRA (7V8, 7V9)	1996/04	2010/03

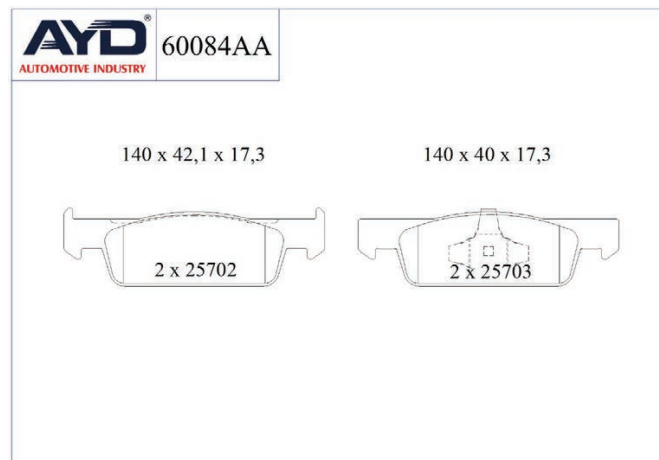


BRAKE PAD

BALATA

- Front Axle

- OEM Standarts
- AYD Quality
- Safety
- Performance



OE:
4534200700
4534210000
4534210010

11-60084AA

WVA :25703-25702

Technical Specifications:

Shim	Wear Indicator	Indicator Type	Piston Spring	Compression Spring	Rivet	Clips	Bolt	Plastic Plug	Kit
-	-	-	2	-	-	-	-	-	-

SMART

MODEL	START D.	END Y.
FORFOUR Hatchback (453)	2014/07	
FORTWO Cabrio (453)	2015/09	
FORTWO Coupe (453)	2014/07	

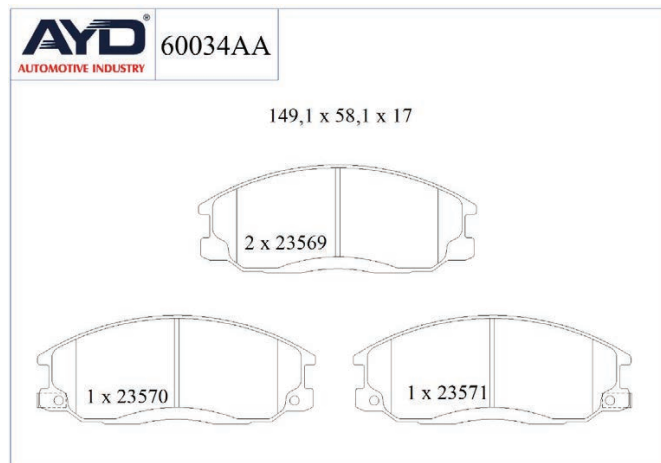


BRAKE PAD

BALATA

- Front Axle

- OEM Standarts
- AYD Quality
- Safety
- Performance



OE:
4813008260
48130090A1
48130091A0

11-60034AA

WVA :23569-23570-23571

Technical Specifications:

Shim	Wear Indicator	Indicator Type	Piston Spring	Compression Spring	Rivet	Clips	Bolt	Plastic Plug	Kit
4	2	-	-	-	-	-	-	-	-

SSANGYONG

MODEL	START D.	END Y.
ACTYON I	2005/11	
ACTYON SPORTS I (QJ)	2005/11	
ACTYON SPORTS II	2012/01	
KYRON	2005/05	
REXTON / REXTON II (GAB_)	2002/04	

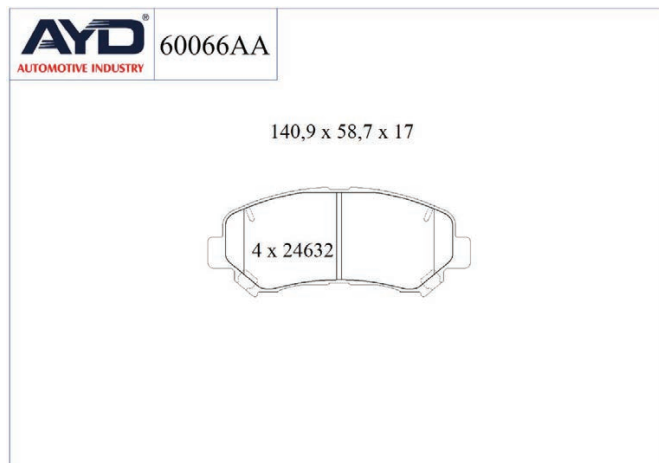


BRAKE PAD

BALATA

- Front Axle

- OEM Standarts
- AYD Quality
- Safety
- Performance



OE:
5581057L00
5581057L00000
5581057L01

11-60066AA

WVA :24632

Technical Specifications:

Shim	Wear Indicator	Indicator Type	Piston Spring	Compression Spring	Rivet	Clips	Bolt	Plastic Plug	Kit
4	2	-	-	-	-	-	-	-	-

SUZUKI

MODEL	START D.	END Y.
KIZASHI (FR)	2010/10	

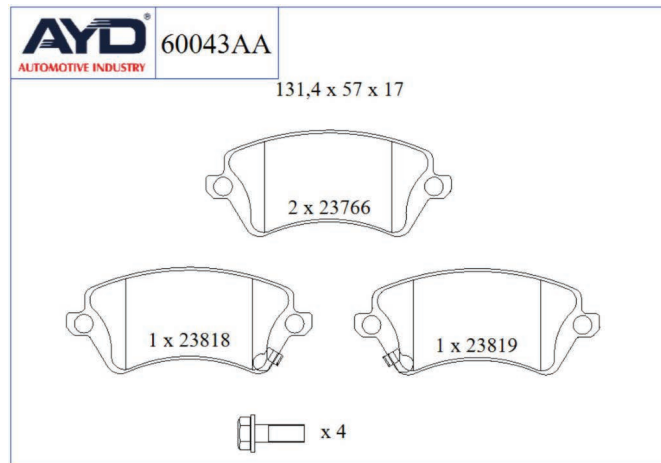


BRAKE PAD

BALATA

- Front Axle

- OEM Standarts
- AYD Quality
- Safety
- Performance



OE:
446502130
0446502061
0446502130

11-60043AA

WVA :23766-23818-23819

Technical Specifications:

Shim	Wear Indicator	Indicator Type	Piston Spring	Compression Spring	Rivet	Clips	Bolt	Plastic Plug	Kit
-	2	-	-	-	-	-	4	-	-

TOYOTA

MODEL	START D.	END Y.
COROLLA (_E12_)	2001/01	2007/12
COROLLA Sedan (_E12_)	2000/08	2008/03
COROLLA Sedan (_E15_)	2006/10	
COROLLA Station wagon (_E11_)	1997/04	2001/10
COROLLA Station wagon (_E12_)	2001/03	2008/12

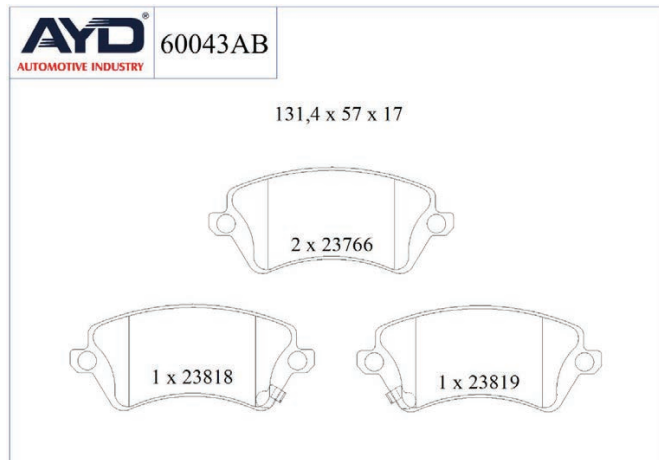


BRAKE PAD

BALATA

- Front Axle

- OEM Standarts
- AYD Quality
- Safety
- Performance



OE:
446502130-M

11-60043AB

WVA :23766-23818-23819

Technical Specifications:

Shim	Wear Indicator	Indicator Type	Piston Spring	Compression Spring	Rivet	Clips	Bolt	Plastic Plug	Kit
-	2	-	-	-	-	-	-	-	-

TOYOTA

MODEL	START D.	END Y.
COROLLA (_E12_)	2001/01	2007/12
COROLLA Sedan (_E12_)	2000/08	2008/03
COROLLA Sedan (_E15_)	2006/10	
COROLLA Station wagon (_E11_)	1997/04	2001/10
COROLLA Station wagon (_E12_)	2001/03	2008/12

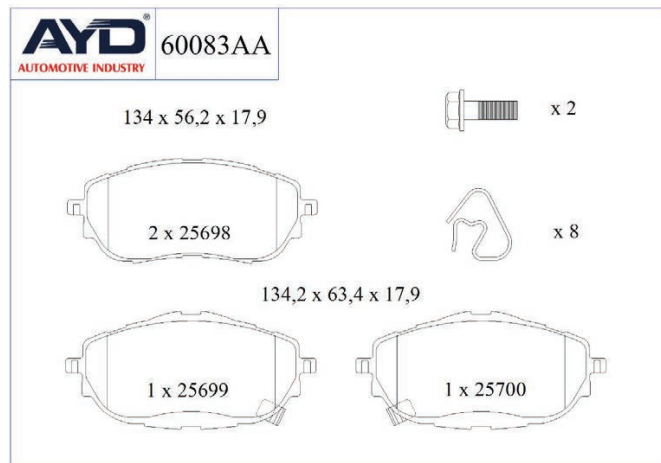
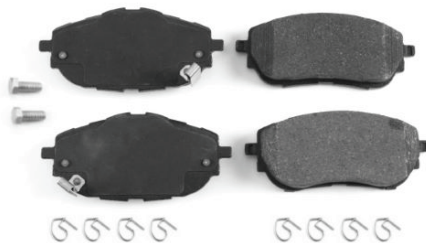


BRAKE PAD

BALATA

- Front Axle

- OEM Standarts
- AYD Quality
- Safety
- Performance



OE:
446502391
0446502390
0446502391

11-60083AA

WVA :25698-25699-25700

Technical Specifications:

Shim	Wear Indicator	Indicator Type	Piston Spring	Compression Spring	Rivet	Clips	Bolt	Plastic Plug	Kit
-	2	-	-	8	-	-	2	-	-

TOYOTA

MODEL	START D.	END Y.
AURIS (_E18_)	2012/10	2018/12
AURIS Station wagon (_E18_)	2013/07	2018/12
AURIS VAN (_E18_)	2013/03	2018/12
COROLLA Sedan (_E15_)	2006/10	
COROLLA Sedan (_E18_, ZRE1_)	2013/06	2019/08

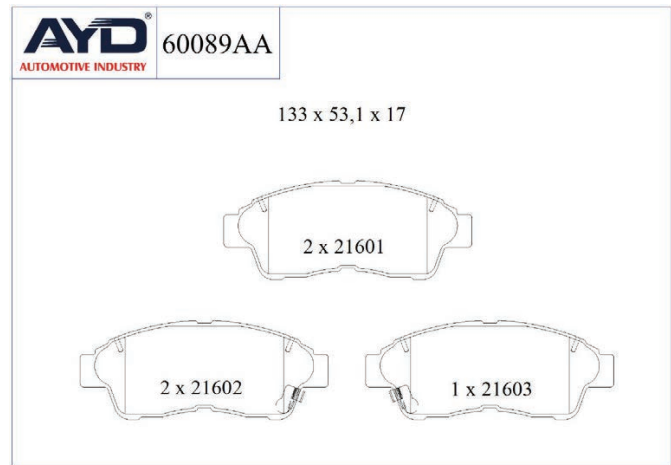
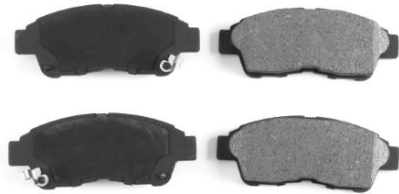


BRAKE PAD

BALATA

- Front Axle

- OEM Standards
- AYD Quality
- Safety
- Performance



OE:
446505010
0446502020
0446505010

11-60089AA

WVA :21601-21602-21603

Technical Specifications:

Shim	Wear Indicator	Indicator Type	Piston Spring	Compression Spring	Rivet	Clips	Bolt	Plastic Plug	Kit
4	2	-	-	-	-	-	-	-	-

TOYOTA

MODEL	START D.	END Y.
CALDINA Station wagon (_T19_)	1987/12	2002/05
CALDINA Station wagon (_T21_)	1997/08	2002/09
CAMRY (_V1_)	1990/07	1998/06
CAMRY Station wagon (_V1_)	1991/06	1997/08
CARINA E VI (_T19_)	1992/04	1997/09
CARINA E VI Sedan (_T19_)	1992/04	1997/09
CARINA E VI Sportswagon (_T19_)	1992/02	1997/09
CELICA Coupe (_T20_)	1993/09	1999/11
CHASER (_X10_)	1996/09	2001/05
CHASER (_X9_)	1992/10	1996/09



BRAKE PAD

BALATA

- Rear Axle

- OEM Standarts
- AYD Quality
- Safety
- Performance



OE:
1605995

11-60027AA

WVA :23417

Technical Specifications:

Shim	Wear Indicator	Indicator Type	Piston Spring	Compression Spring	Rivet	Clips	Bolt	Plastic Plug	Kit
-	-	-	-	-	-	-	2	-	-

VAUXHALL

MODEL	START D.	END Y.
ASTRA Mk IV (G) Hatchback (T98)	1998/02	2005/05
ASTRA Mk V (H) Sport Hatch (A04)	2005/02	2010/11
ASTRA Mk V (H) Station wagon (A04)	2004/08	2012/10
ASTRA Mk V (H) TwinTop (A04)	2005/09	2011/08
ASTRAVAN Mk IV (G) van (T98)	1993/01	2006/08
ASTRAVAN Mk V (H) van (A04)	2005/03	
CORSAVAN Mk II (C) (X01)	2000/09	2006/11
MERIVA Mk II (B) (S10)	2010/06	
ZAFIRA Mk II (B) (A05)	2005/04	2014/11

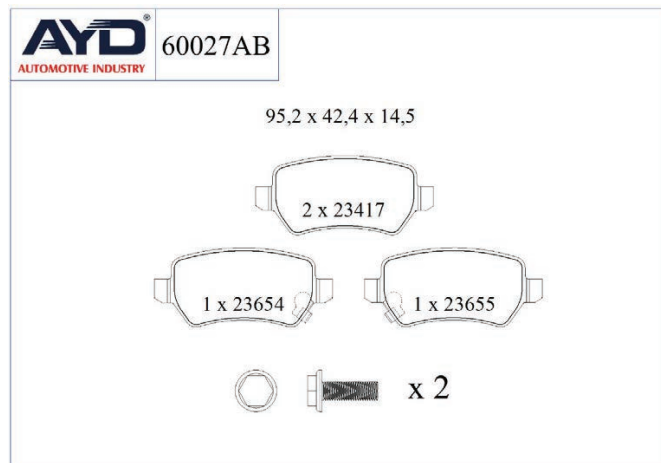


BRAKE PAD

BALATA

- Rear Axle

- OEM Standarts
- AYD Quality
- Safety
- Performance



OE:
1605233
93190577

11-60027AB

WVA :23417-23654-23655

Technical Specifications:

Shim	Wear Indicator	Indicator Type	Piston Spring	Compression Spring	Rivet	Clips	Bolt	Plastic Plug	Kit
-	2	-	-	-	-	-	2	-	-

VAUXHALL

MODEL	START D.	END Y.
ASTRA Mk IV (G) Cabrio (T98)	2001/03	2005/10
ASTRA Mk IV (G) Coupe (T98)	2000/03	2005/08
ASTRA Mk IV (G) Hatchback (T98)	1998/02	2005/05
ASTRA Mk IV (G) Sedan (T98)	1998/02	2005/05
ASTRA Mk IV (G) Station wagon (T98)	1998/02	2005/05
ASTRAVAN Mk IV (G) van (T98)	1993/01	2006/08
COMBO Mk II (C) (F25)	2001/09	2012/02
COMBO TOUR Mk II (C) (F25)	2001/09	2012/02
CORSA Mk II (C) (X01)	2000/08	2007/04
MERIVA A (X03)	2003/01	2010/06

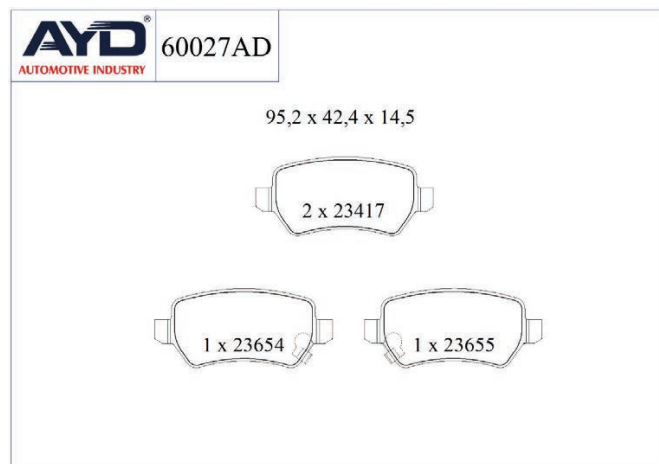


BRAKE PAD

BALATA

- Rear Axle

- OEM Standards
- AYD Quality
- Safety
- Performance



OE:
1605086

11-60027AD

WVA :23417-23654-23655

Technical Specifications:

Shim	Wear Indicator	Indicator Type	Piston Spring	Compression Spring	Rivet	Clips	Bolt	Plastic Plug	Kit
-	2	-	-	-	-	-	-	-	-

VAUXHALL

MODEL	START D.	END Y.
ASTRA Mk IV (G) Hatchback (T98)	1998/02	2005/05
ASTRA Mk V (H) Sport Hatch (A04)	2005/02	2010/11
ASTRA Mk V (H) Station wagon (A04)	2004/08	2012/10
ASTRA Mk V (H) TwinTop (A04)	2005/09	2011/08
ASTRAVAN Mk IV (G) van (T98)	1993/01	2006/08
ASTRAVAN Mk V (H) van (A04)	2005/03	
CORSAVAN Mk II (C) (X01)	2000/09	2006/11
MERIVA Mk II (B) (S10)	2010/06	
ZAFIRA Mk II (B) (A05)	2005/04	2014/11

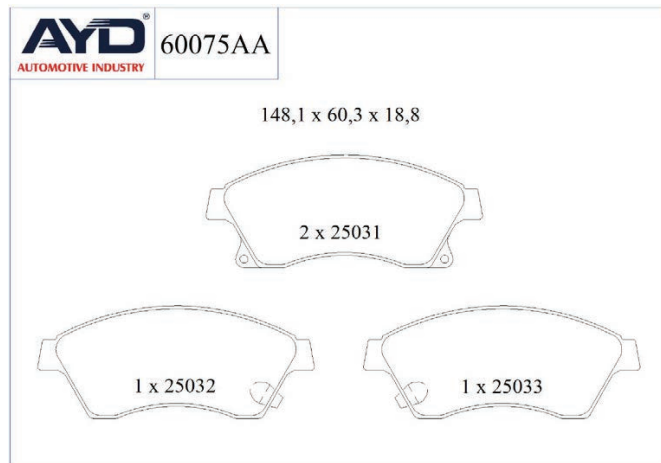


BRAKE PAD

BALATA

- Front Axle

- OEM Standarts
- AYD Quality
- Safety
- Performance



OE:
13301207
542120

11-60075AA

WVA :25031-25032-25033

Technical Specifications:

Shim	Wear Indicator	Indicator Type	Piston Spring	Compression Spring	Rivet	Clips	Bolt	Plastic Plug	Kit
4	2	-	-	-	-	-	-	-	-

VAUXHALL

MODEL	START D.	END Y.
ASTRA Mk VI (J) (P10)	2009/12	2015/10
ASTRA Mk VI (J) GTC (P10)	2011/10	2015/10
ASTRA Mk VI (J) Sedan (P10)	2012/06	2015/10
ASTRA Mk VI (J) Station wagon (P10)	2010/10	2015/10

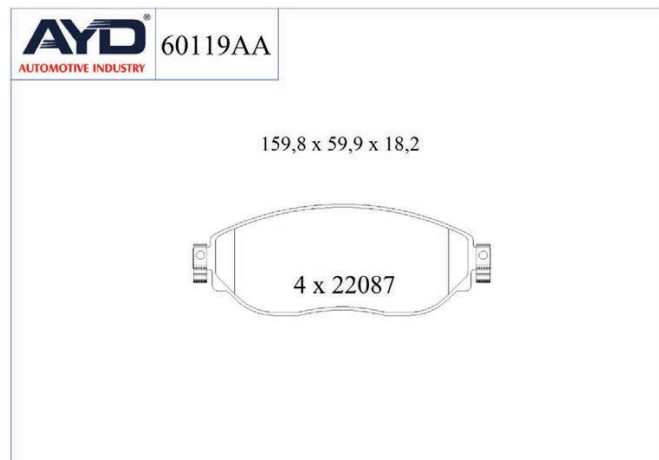


BRAKE PAD

BALATA

- Front Axle

- OEM Standarts
- AYD Quality
- Safety
- Performance



OE:
006000620046

11-60119AA

WVA :22087

Technical Specifications:

Shim	Wear Indicator	Indicator Type	Piston Spring	Compression Spring	Rivet	Clips	Bolt	Plastic Plug	Kit
4	-	-	-	8	-	-	-	-	-

VAUXHALL

MODEL	START D.	END Y.
VIVARO B Minibus/Bus (X82)	2014/05	
VIVARO B Panelvan/Van (X82)	2014/05	
VIVARO B Platform (X82)	2014/05	

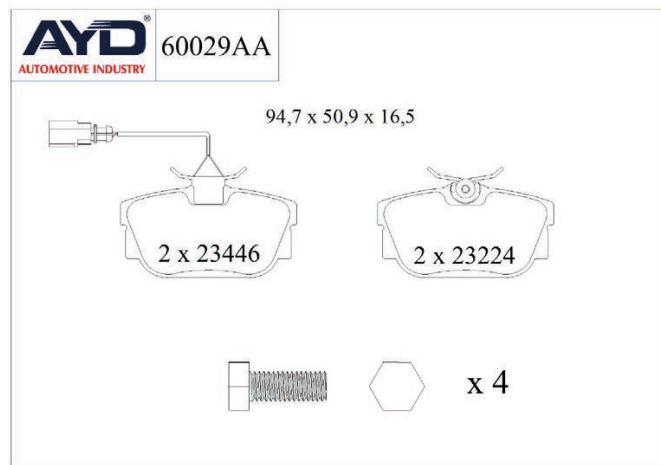
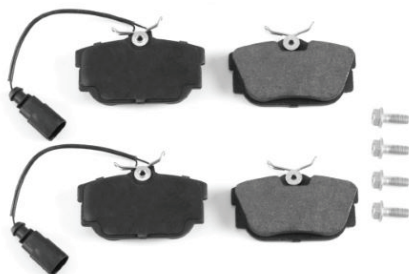


BRAKE PAD

BALATA

- Rear Axle

- OEM Standarts
- AYD Quality
- Safety
- Performance



OE:
7D0698451F
7D0698451B
7M3698451D

11-60029AA

WVA :23446-23224

Technical Specifications:

Shim	Wear Indicator	Indicator Type	Piston Spring	Compression Spring	Rivet	Clips	Bolt	Plastic Plug	Kit
-	2	-	4	-	-	-	4	-	-

VW

MODEL	START D.	END Y.
Minibus/Bus (T2)	1974/09	
Panelvan/Van (T2)	1967/01	2013/12
SHARAN (7M8, 7M9, 7M6)	1995/05	2010/03
TRANSPORTER IV Minibus/Bus (70B, 70C, 7DB, ...)	1990/09	2004/08
TRANSPORTER IV Panelvan/Van (70A, 70H, 7DA, ...)	1990/07	2003/04
TRANSPORTER IV Platform (70E, 70L, 70M, 7DE, ...)	1990/07	2003/04

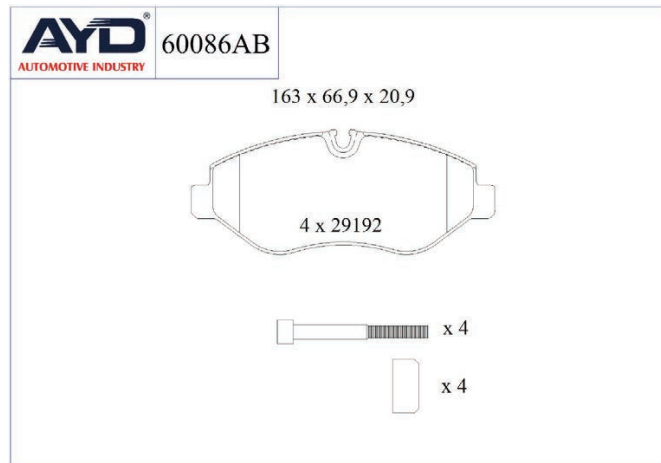


BRAKE PAD

BALATA

- Front Axle

- OEM Standarts
- AYD Quality
- Safety
- Performance



OE:
2E0698151-M1

11-60086AB

WVA :29192

Technical Specifications:

Shim	Wear Indicator	Indicator Type	Piston Spring	Compression Spring	Rivet	Clips	Bolt	Plastic Plug	Kit
4	-	-	-	-	-	-	-	-	1

VW

MODEL	START D.	END Y.
CRAFTER 30-35 Minibus/Bus (2E_)	2006/04	2016/12
CRAFTER 30-50 Panelvan/Van (2E_)	2006/04	2016/12
CRAFTER 30-50 Platform (2F_)	2006/04	2016/12



BRAKE PAD

BALATA

- Rear Axle

- OEM Standarts
- AYD Quality
- Safety
- Performance



OE:
161698451D
191615415A
191698451C

11-60099AA

WVA :20961

Technical Specifications:

Shim	Wear Indicator	Indicator Type	Piston Spring	Compression Spring	Rivet	Clips	Bolt	Plastic Plug	Kit
4	-	-	-	4	-	-	-	-	-

VW

MODEL	START D.	END Y.
CORRADO (53I)	1987/08	1995/12
GOLF II (19E, 1G1)	1983/08	1992/12
GOLF III (1H1)	1989/10	1998/07
GOLF III Cabriolet (1E7)	1993/07	1998/05
GOLF III Van (1H1)	1991/08	1997/12
GOLF Van III Variant (1H5)	1991/08	1999/12
JETTA II (19E, 1G2, 165)	1983/08	1992/12
PASSAT B2 (32B)	1979/09	1989/06
PASSAT B2 Variant (33B)	1980/08	1989/06
PASSAT B3/B4 (315, 3A5)	1988/08	1996/12

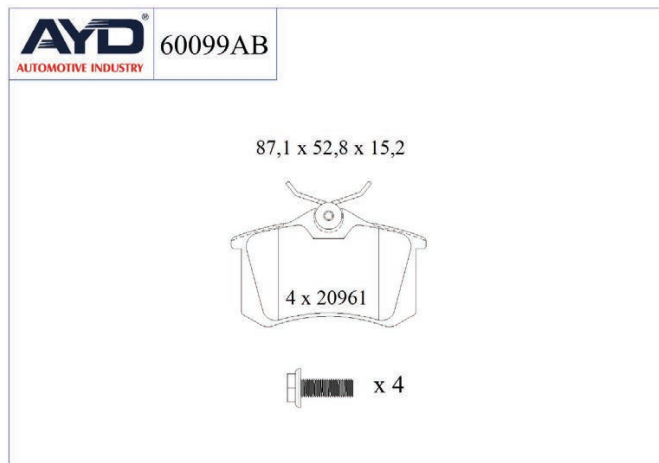


BRAKE PAD

BALATA

- Rear Axle

- OEM Standarts
- AYD Quality
- Safety
- Performance



OE:
161698451D-M
191615415A-M
191698451C-M

11-60099AB

WVA :20961

Technical Specifications:

Shim	Wear Indicator	Indicator Type	Piston Spring	Compression Spring	Rivet	Clips	Bolt	Plastic Plug	Kit
4	-	-	-	4	-	-	4	-	-

VW

MODEL	START D.	END Y.
CORRADO (53I)	1987/08	1995/12
GOLF II (19E, 1G1)	1983/08	1992/12
GOLF III (1H1)	1989/10	1998/07
GOLF III Cabriolet (1E7)	1993/07	1998/05
GOLF III Van (1H1)	1991/08	1997/12
GOLF Van III Variant (1H5)	1991/08	1999/12
JETTA II (19E, 1G2, 165)	1983/08	1992/12
PASSAT B2 (32B)	1979/09	1989/06
PASSAT B2 Variant (33B)	1980/08	1989/06
PASSAT B3/B4 (315, 3A5)	1988/08	1996/12

