

**new to range**

SPEED TO MARKET SECOND TO NONE

**AYD**<sup>®</sup>  
AUTOMOTIVE INDUSTRY



# BRAKING NEW GROUND

**SAFETY**

**PERFORMANCE**

**OEM Standards**

**AYD QUALITY**

[www.aydtr.com](http://www.aydtr.com)



**APRIL 2022**

## INDEX

<b>ACURA</b>	3-4
<b>AUDI</b>	5
<b>BMW</b>	6
<b>CHEVROLET</b>	7
<b>CHRYSLER</b>	8-10
<b>CITROEN</b>	11-12
<b>DACIA</b>	13
<b>DODGE</b>	14-16
<b>FIAT</b>	17-18
<b>FORD</b>	19-21
<b>HONDA</b>	22-25
<b>HYUNDAI</b>	26-28
<b>INFINITI</b>	29
<b>JEEP</b>	30-31
<b>KIA</b>	32-34
<b>LEXUS</b>	35-36
<b>MAZDA</b>	37-38
<b>NISSAN</b>	39-44
<b>OPEL</b>	45
<b>PEUGEOT</b>	46-47
<b>POINTIAC</b>	48
<b>RAM</b>	49
<b>RENAULT</b>	50-54
<b>SKODA</b>	55
<b>TOYOTA</b>	56-64
<b>VAUXHALL</b>	65
<b>VOLVO</b>	66
<b>VOLKSWAGEN</b>	67-68

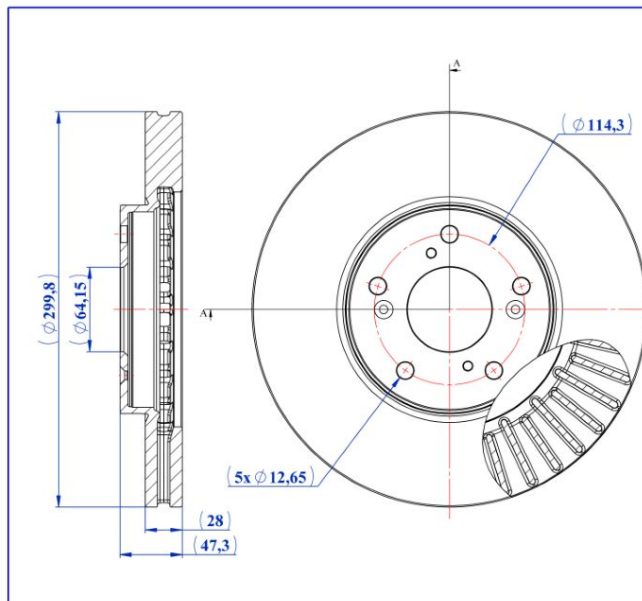
## BRAKE DISC

BRAKE ROTOR

- Front Axle
- Vented

- Safety
- Performance
- OEM Standarts
- AYD Quality

OE:  
45251TA1A00  
45251SEPA01



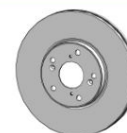
**AYD**  
AUTOMOTIVE INDUSTRY

AYD NO  
**10-50552**

MATERIAL  
**TYPE-1**

WEIGHT  
**8,18 KG**

BALANCING  
**100 %**



**10-50552**

### Technical Specifications:

Diameter (mm)	Height (mm)	Brake Disc Thickness (mm)	Min. Thickness (mm)	Centering Diameter (mm)	Bolt Hole Circle (mm)	Num. of Holes
299.8	47.3	28	26	64.15	114.3	5+4

## ACURA

MODEL	START Y.	END Y.
MDX (YD1)	2000/08	2006/09
TSX (CL_)	2003/10	2008/12



## BRAKE DISC

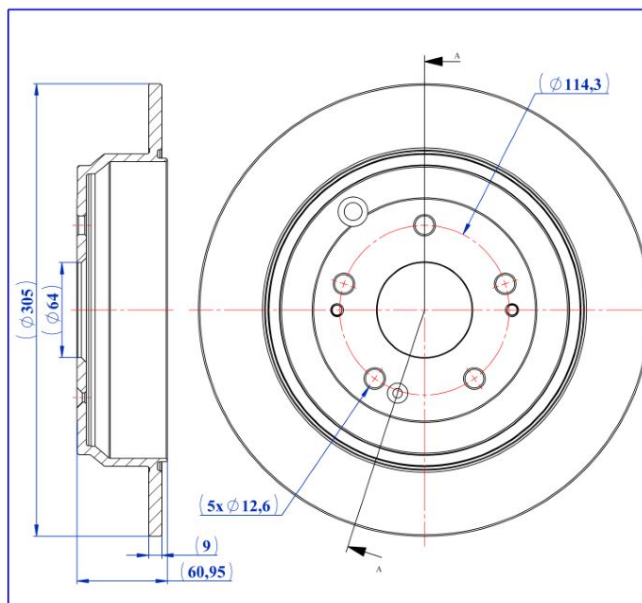
BRAKE ROTOR

- Rear Axle
- Solid

- Safety
- Performance
- OEM Standarts
- AYD Quality

OE:  
42510SWA000

**10-50555**



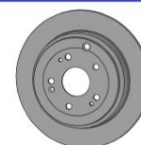
**AYD**  
AUTOMOTIVE INDUSTRY

AYD NO  
**10-50555**

MATERIAL  
**TYPE-1**

WEIGHT  
**4,95 KG**

BALANCING  
**100 %**



### Technical Specifications:

Diameter (mm)	Height (mm)	Brake Disc Thickness (mm)	Min. Thickness (mm)	Centering Diameter (mm)	Bolt Hole Circle (mm)	Num. of Holes
305	60.95	9	7.5	64	114.3	5+4

## ACURA

MODEL	START Y.	END Y.
RDX	2012/01	2018/05

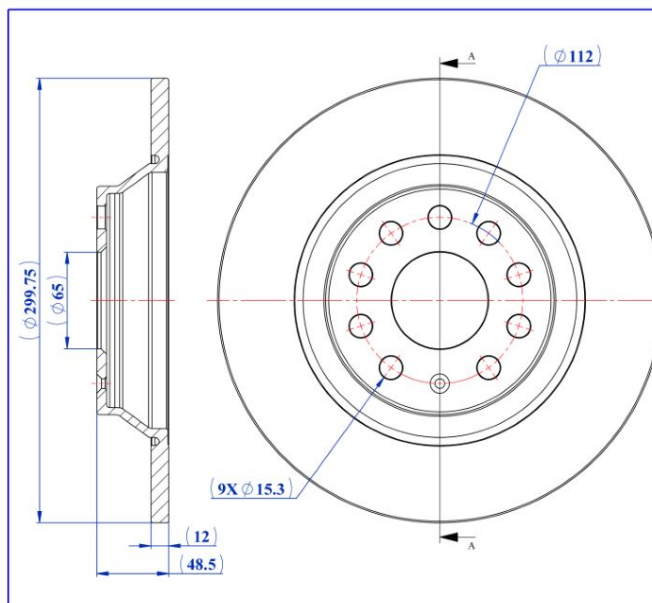


## BRAKE DISC

BRAKE ROTOR

- Rear Axle
- Solid

- Safety
- Performance
- OEM Standarts
- AYD Quality



**AYD**  
AUTOMOTIVE INDUSTRY

AYD NO  
**10-50359**

MATERIAL  
**TYPE-1**

WEIGHT  
**5,23 KG**

BALANCING  
**100 %**



OE:  
3Q0615601

**10-50359**

### Technical Specifications:

Diameter (mm)	Height (mm)	Brake Disc Thickness (mm)	Min. Thickness (mm)	Centering Diameter (mm)	Bolt Hole Circle (mm)	Num. of Holes
299.75	48.5	12	10	65	112	9+1

## AUDI

MODEL	START Y.	END Y.
A3 (8V1, 8VK)	2012/04	
A3 Cabrio (8V7, 8VE)	2013/10	
A3 Limousine (8VS, 8VM)	2013/05	
A3 Sportback (8VA, 8VF)	2012/09	
TT (FV3, FVP)	2014/07	
TT Roadster (FV9, FVR)	2014/11	



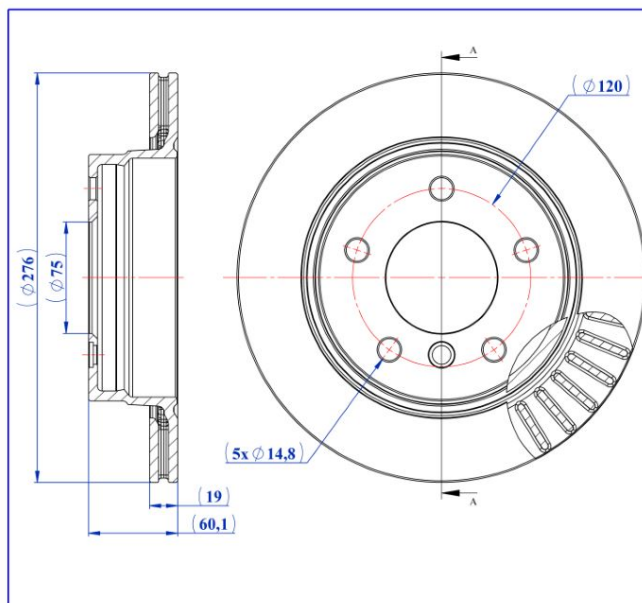
## BRAKE DISC

BRAKE ROTOR

- Rear Axle
- Vented

- Safety
- Performance
- OEM Standarts
- AYD Quality

OE:  
34216864903  
34216855155  
34211165211



**AYD**  
AUTOMOTIVE INDUSTRY

AYD NO  
**10-50313**

MATERIAL  
**TYPE-1**

WEIGHT  
**5,35 KG**

BALANCING  
**100 %**



**10-50313**

### Technical Specifications:

Diameter (mm)	Height (mm)	Brake Disc Thickness (mm)	Min. Thickness (mm)	Centering Diameter (mm)	Bolt Hole Circle (mm)	Num. of Holes
276	60.1	19	17.4	75	120	5+1

## BMW

MODEL	START Y.	END Y.
3 (E36)	1990/09	1998/11
3 (E46)	1997/12	2005/05
3 Cabrio (E36)	1993/03	1999/11
3 Cabrio (E46)	2000/04	2007/12
3 Compact (E46)	2001/03	2005/02
3 Coupe (E36)	1991/10	1999/05
3 Coupe (E46)	1998/12	2006/07
3 Touring (E36)	1994/08	1999/12
3 Touring (E46)	1999/06	2005/07

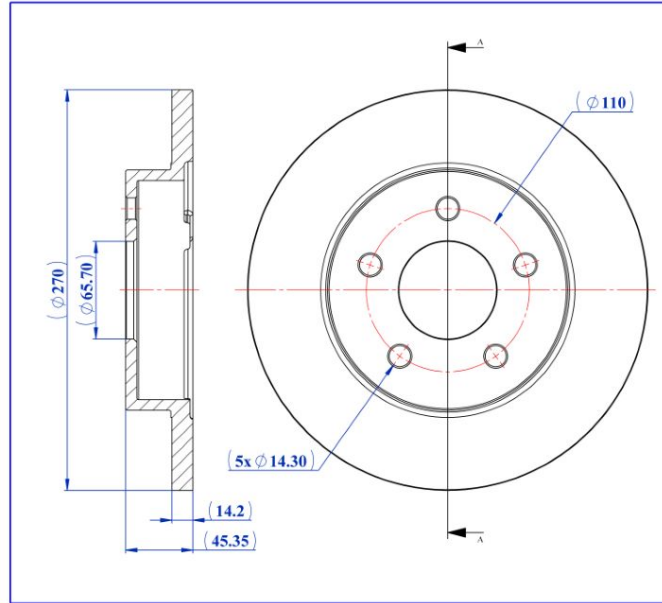


## BRAKE DISC

BRAKE ROTOR

- Rear Axle
- Solid

- Safety
- Performance
- OEM Standarts
- AYD Quality



**AYD**<sup>®</sup>  
AUTOMOTIVE INDUSTRY

AYD NO  
**10-50559**

MATERIAL  
**TYPE-1**

WEIGHT  
**5,36 KG**

BALANCING  
**100 %**



OE:  
19303822

**10-50559**

### Technical Specifications:

Diameter (mm)	Height (mm)	Brake Disc Thickness (mm)	Min. Thickness (mm)	Centering Diameter (mm)	Bolt Hole Circle (mm)	Num. of Holes
270	45.35	14.2	12	65.7	110	5

## CHEVROLET

MODEL	START Y.	END Y.
COBALT Coupe	2003/11	2010/12
HHR	2005/09	2011/12
MALIBU	2008/01	
MALIBU Hatchback	2003/10	2008/12

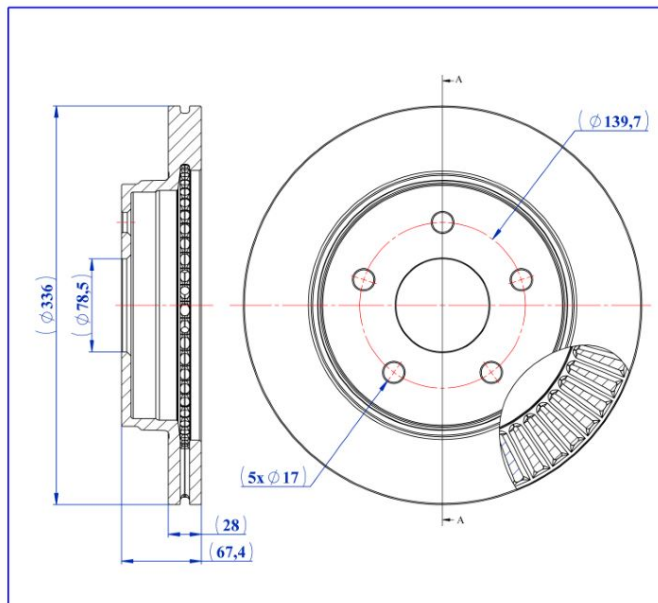


## BRAKE DISC

BRAKE ROTOR

- Front Axle
- Vented

- Safety
- Performance
- OEM Standarts
- AYD Quality



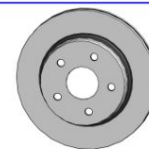
**AYD**<sup>®</sup>  
AUTOMOTIVE INDUSTRY

AYD NO  
**10-50549**

MATERIAL  
**TYPE-1**

WEIGHT  
**11,35 KG**

BALANCING  
**100 %**



OE:  
52010080AA

**10-50549**

### Technical Specifications:

Diameter (mm)	Height (mm)	Brake Disc Thickness (mm)	Min. Thickness (mm)	Centering Diameter (mm)	Bolt Hole Circle (mm)	Num. of Holes
336	67.4	28	26.4	78.5	139.7	5

## CHRYSLER

MODEL	START Y.	END Y.
ASPEN (HG)	2006/02	





## BRAKE DISC

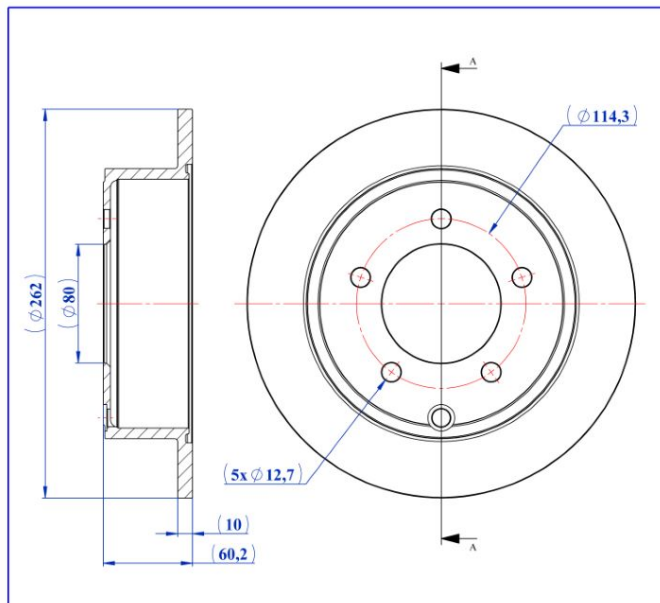
BRAKE ROTOR

- Rear Axle
- Solid

- Safety
- Performance
- OEM Standarts
- AYD Quality

OE:  
5105515AA

**10-50558**



**AYD**  
AUTOMOTIVE INDUSTRY

AYD NO  
**10-50558**

MATERIAL  
**TYPE-1**

WEIGHT  
**4,14 KG**

BALANCING  
**100 %**



### Technical Specifications:

Diameter (mm)	Height (mm)	Brake Disc Thickness (mm)	Min. Thickness (mm)	Centering Diameter (mm)	Bolt Hole Circle (mm)	Num. of Holes
262	60.2	10	8.4	80	114.3	5+1

## CHRYSLER

MODEL	START Y.	END Y.
SEBRING (JS)	2006/09	2010/12



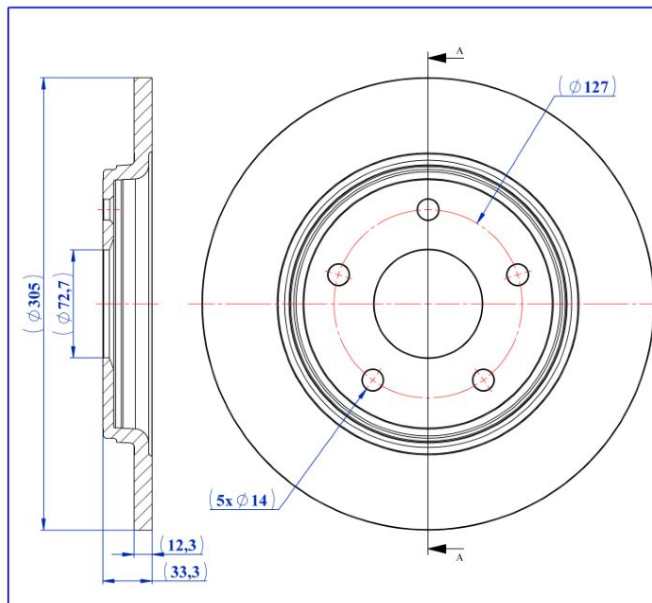
## BRAKE DISC

BRAKE ROTOR

- Rear Axle
- Solid

- Safety
- Performance
- OEM Standarts
- AYD Quality

OE:  
4721996AB  
4721677AA  
4721996AA



**AYD**  
AUTOMOTIVE INDUSTRY

AYD NO  
**10-50560**

MATERIAL  
**TYPE-1**

WEIGHT  
**5,84 KG**

BALANCING  
**100 %**



**10-50560**

### Technical Specifications:

Diameter (mm)	Height (mm)	Brake Disc Thickness (mm)	Min. Thickness (mm)	Centering Diameter (mm)	Bolt Hole Circle (mm)	Num. of Holes
305	33.3	12.3	10.4	72.7	127	5

## CHRYSLER

MODEL	START Y.	END Y.
GRAND VOYAGER V (RT)	2007/10	



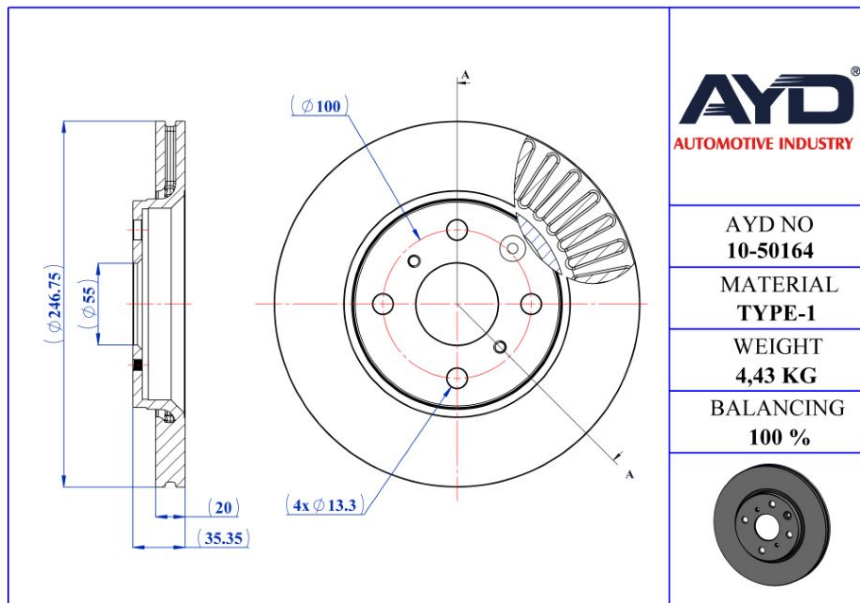
## BRAKE DISC

BRAKE ROTOR

- Front Axle
- Vented

- Safety
- Performance
- OEM Standarts
- AYD Quality

OE:  
E169256  
4246J0  
424954



**AYD**  
AUTOMOTIVE INDUSTRY

AYD NO  
**10-50164**

MATERIAL  
**TYPE-1**

WEIGHT  
**4,43 KG**

BALANCING  
**100 %**



**10-50164**

### Technical Specifications:

Diameter (mm)	Height (mm)	Brake Disc Thickness (mm)	Min. Thickness (mm)	Centering Diameter (mm)	Bolt Hole Circle (mm)	Num. of Holes
246.75	35.35	20	18	55	100	4+2

## CITROËN

MODEL	START Y.	END Y.
C1 (PM_, PN_)	2005/06	2014/09
C1 II (PA_, PS_)	2014/04	



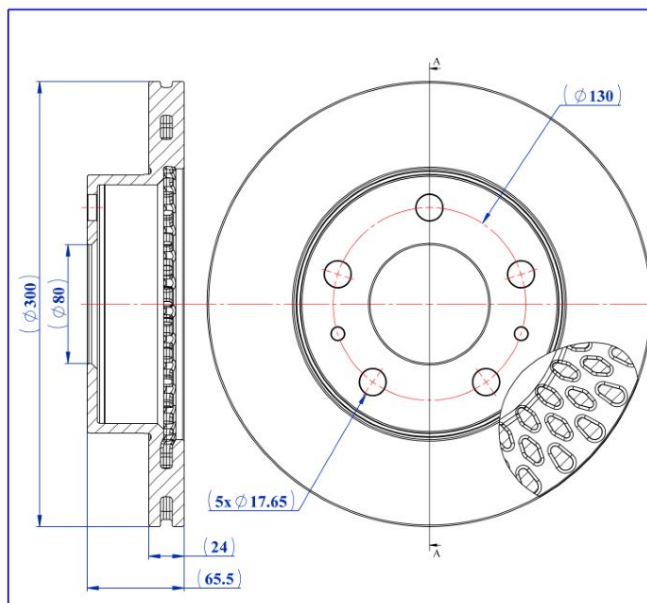
## BRAKE DISC

BRAKE ROTOR

- Front Axle
- Vented

- Safety
- Performance
- OEM Standarts
- AYD Quality

OE:  
46806234  
4249G5  
4246K3



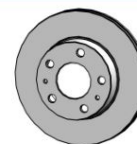
**AYD**  
AUTOMOTIVE INDUSTRY

AYD NO  
**10-50279**

MATERIAL  
**TYPE-1**

WEIGHT  
**7,99 KG**

BALANCING  
**100 %**



**10-50279**

### Technical Specifications:

Diameter (mm)	Height (mm)	Brake Disc Thickness (mm)	Min. Thickness (mm)	Centering Diameter (mm)	Bolt Hole Circle (mm)	Num. of Holes
300	65.5	24	21.9	80	130	5+2

## CITROËN

MODEL	START Y.	END Y.
JUMPER Minibus/Bus	2006/04	
JUMPER Minibus/Bus (230P)	1994/02	2002/04
JUMPER Minibus/Bus (244, Z_)	2002/04	
JUMPER Panelvan/Van	2006/04	
JUMPER Panelvan/Van (230L)	1994/02	2002/08
JUMPER Panelvan/Van (244)	2002/04	
JUMPER Platform	2006/04	
JUMPER Platform (230)	1994/03	2002/04
JUMPER Platform (244)	2002/02	



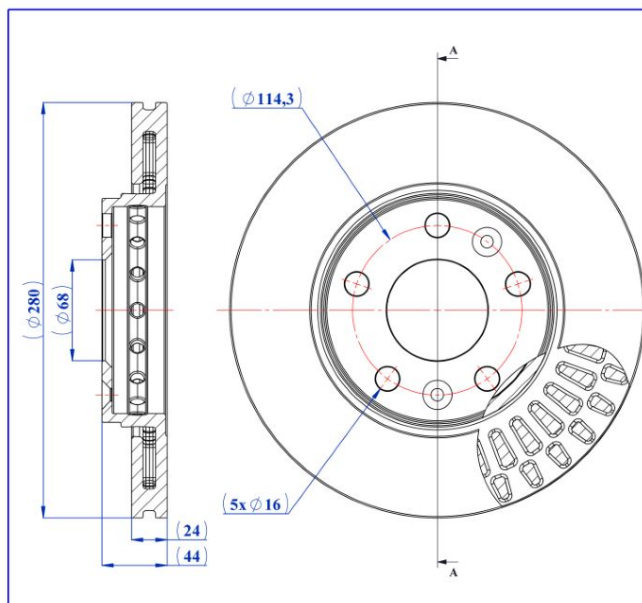
## BRAKE DISC

BRAKE ROTOR

- Front Axle
- Vented

- Safety
- Performance
- OEM Standarts
- AYD Quality

OE:  
402063793R  
402064151R  
402067902R



**AYD**  
AUTOMOTIVE INDUSTRY

AYD NO  
**10-50184**

MATERIAL  
**TYPE-1**

WEIGHT  
**6,70 KG**

BALANCING  
**100 %**



**10-50184**

### Technical Specifications:

Diameter (mm)	Height (mm)	Brake Disc Thickness (mm)	Min. Thickness (mm)	Centering Diameter (mm)	Bolt Hole Circle (mm)	Num. of Holes
280	44	24	21.8	68	114.3	5+2

## DACIA

MODEL	START Y.	END Y.
DUSTER (HM_)	2017/10	
DUSTER (HS_)	2010/04	2018/01
DUSTER SUV	2011/04	

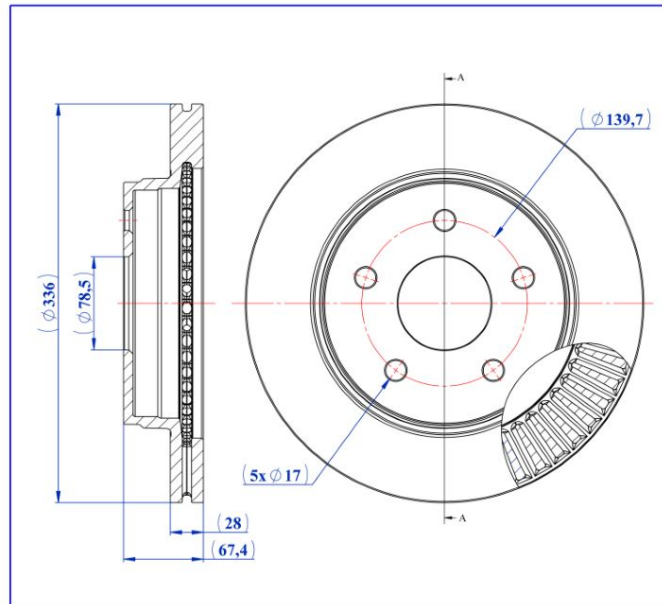


## BRAKE DISC

BRAKE ROTOR

- Front Axle
- Vented

- Safety
- Performance
- OEM Standarts
- AYD Quality



AYD NO  
**10-50549**

MATERIAL  
**TYPE-1**

WEIGHT  
**11,35 KG**

BALANCING  
**100 %**



OE:  
52010080AI

**10-50549**

### Technical Specifications:

Diameter (mm)	Height (mm)	Brake Disc Thickness (mm)	Min. Thickness (mm)	Centering Diameter (mm)	Bolt Hole Circle (mm)	Num. of Holes
336	67.4	28	26.4	78.5	139.7	5

## DODGE

MODEL	START Y.	END Y.
DURANGO (HB)	2003/09	2010/12
RAM 1500 Crew Cab Pickup	2008/09	2010/12
RAM 1500 Crew Cab Pickup	2001/09	2008/12
RAM 1500 Extended Cab Pickup	2008/09	2010/12
RAM 1500 Extended Crew Cab Pickup	2001/09	2008/12
RAM 1500 Pick-up (D1, DC, DH, DM, DR)	2001/06	2008/09
RAM 1500 Standard Cab Pickup	2008/09	2010/12
RAM 1500 Standard Cab Pickup	2001/09	2008/12



## BRAKE DISC

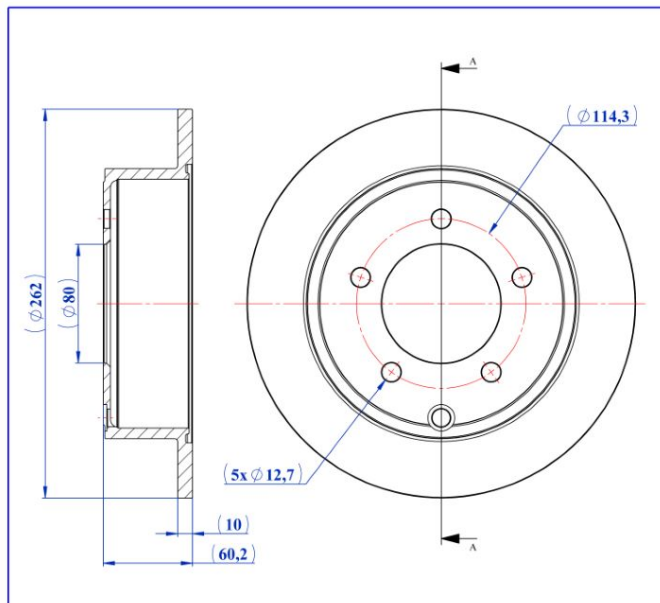
BRAKE ROTOR

- Rear Axle
- Solid

- Safety
- Performance
- OEM Standarts
- AYD Quality

OE:  
5105515AA

**10-50558**



**AYD**  
AUTOMOTIVE INDUSTRY

AYD NO  
**10-50558**

MATERIAL  
**TYPE-1**

WEIGHT  
**4,14 KG**

BALANCING  
**100 %**



### Technical Specifications:

Diameter (mm)	Height (mm)	Brake Disc Thickness (mm)	Min. Thickness (mm)	Centering Diameter (mm)	Bolt Hole Circle (mm)	Num. of Holes
262	60.2	10	8.4	80	114.3	5+1

## DODGE

MODEL	START Y.	END Y.
AVENGER	2007/06	2014/12
CALIBER	2006/06	

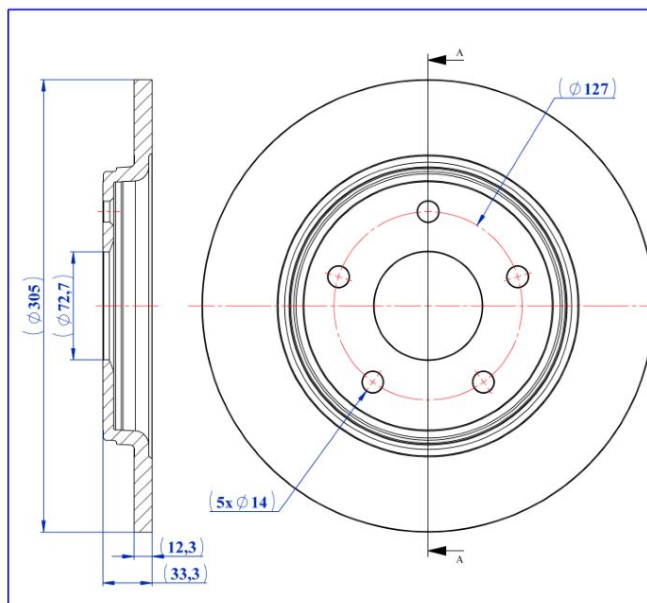


## BRAKE DISC

BRAKE ROTOR

- Rear Axle
- Solid

- Safety
- Performance
- OEM Standarts
- AYD Quality



**AYD**  
AUTOMOTIVE INDUSTRY

AYD NO  
**10-50560**

MATERIAL  
**TYPE-1**

WEIGHT  
**5,84 KG**

BALANCING  
**100 %**



OE:  
4721996AA

**10-50560**

### Technical Specifications:

Diameter (mm)	Height (mm)	Brake Disc Thickness (mm)	Min. Thickness (mm)	Centering Diameter (mm)	Bolt Hole Circle (mm)	Num. of Holes
305	33.3	12.3	10.4	72.7	127	5

## DODGE

MODEL	START Y.	END Y.
JOURNEY	2008/06	
NITRO	2006/09	2012/12





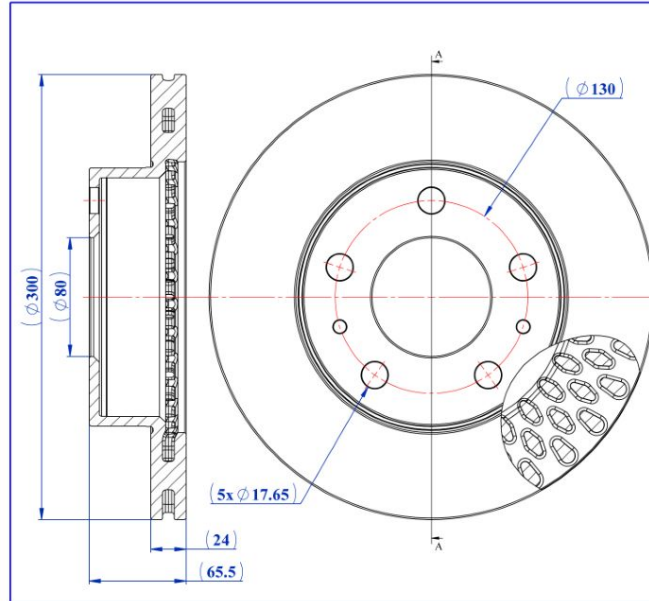
## BRAKE DISC

BRAKE ROTOR

- Front Axle
- Vented

- Safety
- Performance
- OEM Standarts
- AYD Quality

OE:  
1307356080  
51858363  
71739637



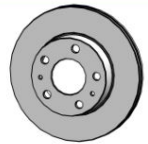
**AYD**  
AUTOMOTIVE INDUSTRY

AYD NO  
**10-50279**

MATERIAL  
**TYPE-1**

WEIGHT  
**7,99 KG**

BALANCING  
**100 %**



**10-50279**

### Technical Specifications:

Diameter (mm)	Height (mm)	Brake Disc Thickness (mm)	Min. Thickness (mm)	Centering Diameter (mm)	Bolt Hole Circle (mm)	Num. of Holes
300	65.5	24	21.9	80	130	5+2

## FIAT

MODEL	START Y.	END Y.
DUCATO Minibus/Bus (230_)	1994/03	2005/05
DUCATO Minibus/Bus (244_)	2002/04	
DUCATO Minibus/Bus (250_, 290_)	2006/07	
DUCATO Panelvan/Van (230_)	1994/03	2005/05
DUCATO Panelvan/Van (244_)	2002/04	
DUCATO Panelvan/Van (250_, 290_)	2006/07	
DUCATO Platform (230_)	1994/03	2002/04
DUCATO Platform (244_)	2002/04	
DUCATO Platform (250_, 290_)	2006/07	



## BRAKE DISC

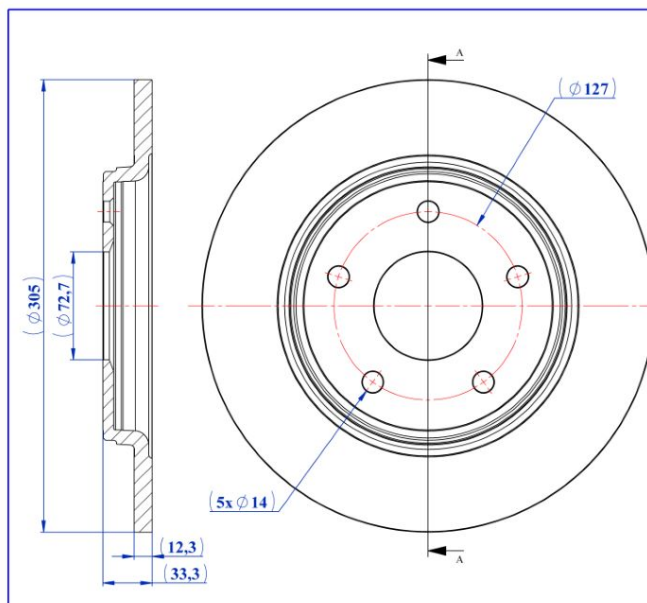
BRAKE ROTOR

- Rear Axle
- Solid

- Safety
- Performance
- OEM Standarts
- AYD Quality

OE:  
K04721996AA  
K04721996AB

**10-50560**



**AYD**  
AUTOMOTIVE INDUSTRY

AYD NO  
**10-50560**

MATERIAL  
**TYPE-1**

WEIGHT  
**5,84 KG**

BALANCING  
**100 %**



### Technical Specifications:

Diameter (mm)	Height (mm)	Brake Disc Thickness (mm)	Min. Thickness (mm)	Centering Diameter (mm)	Bolt Hole Circle (mm)	Num. of Holes
305	33.3	12.3	10.4	72.7	127	5

## FIAT

MODEL	START Y.	END Y.
FREEMONT (345_)	2011/08	



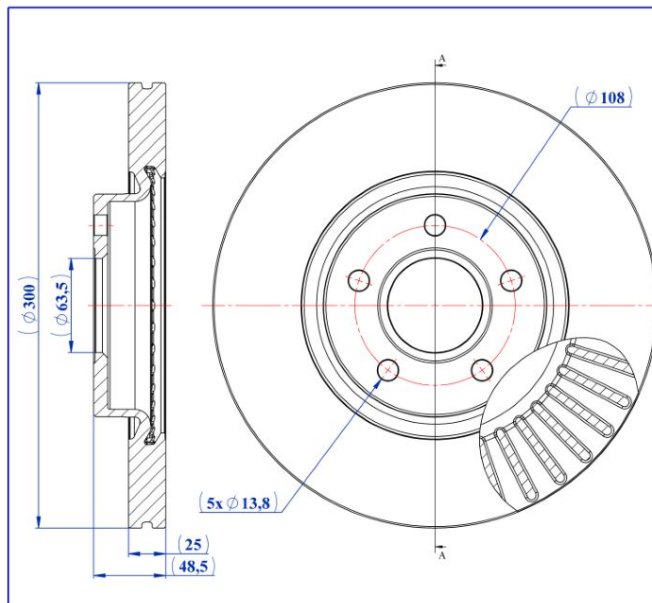
## BRAKE DISC

BRAKE ROTOR

- Front Axle
- Vented

- Safety
- Performance
- OEM Standarts
- AYD Quality

OE:  
7M511125BB  
1373370  
1323560



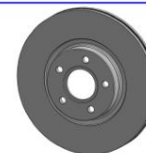
**AYD**  
AUTOMOTIVE INDUSTRY

AYD NO  
**10-50185**

MATERIAL  
**TYPE-1**

WEIGHT  
**8,28 KG**

BALANCING  
**100 %**



**10-50185**

### Technical Specifications:

Diameter (mm)	Height (mm)	Brake Disc Thickness (mm)	Min. Thickness (mm)	Centering Diameter (mm)	Bolt Hole Circle (mm)	Num. of Holes
300	48.5	25	23	63.5	108	5

## FORD

MODEL	START Y.	END Y.
C-MAX (DM2)	2007/02	2010/09
C-MAX II (DXA/CB7, DXA/CEU)	2010/04	
C-MAX II Van	2010/10	
FOCUS C-MAX (DM2)	2003/10	2007/03
FOCUS II van	2004/07	2011/07
FOCUS II (DA_, HCP, DP)	2004/07	2013/09
FOCUS II Cabrio	2006/10	2010/09
FOCUS II Sedan (DB_, FCH, DH)	2005/04	
FOCUS II Turnier (DA_, FFS, DS)	2004/07	2012/09
FOCUS III	2010/07	
FOCUS III	2011/01	

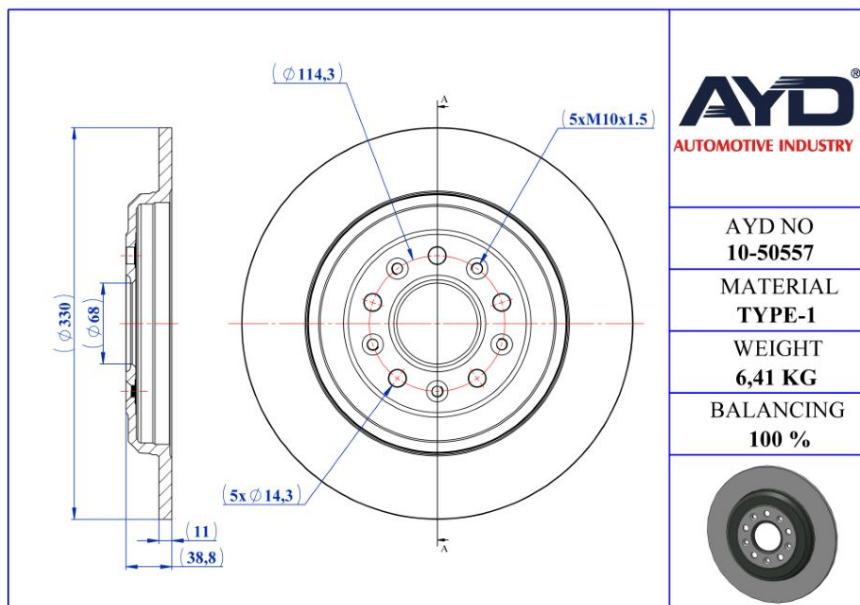


## BRAKE DISC

BRAKE ROTOR

- Rear Axle
- Solid

- Safety
- Performance
- OEM Standarts
- AYD Quality



**AYD**<sup>®</sup>  
AUTOMOTIVE INDUSTRY

AYD NO  
**10-50557**

MATERIAL  
**TYPE-1**

WEIGHT  
**6,41 KG**

BALANCING  
**100 %**



OE:  
AG1Z2C026A

**10-50557**

### Technical Specifications:

Diameter (mm)	Height (mm)	Brake Disc Thickness (mm)	Min. Thickness (mm)	Centering Diameter (mm)	Bolt Hole Circle (mm)	Num. of Holes
330	38.8	11	10	68	114.3	5+5

## FORD USA

MODEL	START Y.	END Y.
EDGE (U387)	2006/01	
EXPLORER	2010/10	



## BRAKE DISC

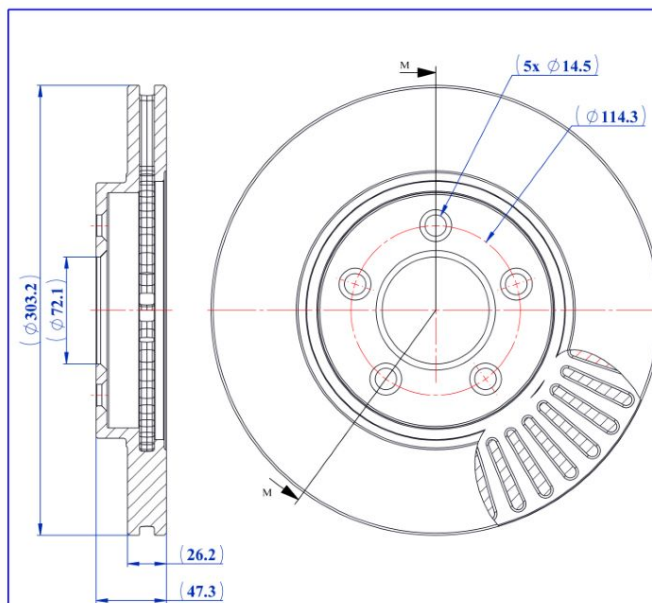
BRAKE ROTOR

- Front Axle
- Vented

- Safety
- Performance
- OEM Standarts
- AYD Quality

OE:  
5U2Z1V125AB

**10-50591**



**AYD**<sup>®</sup>  
AUTOMOTIVE INDUSTRY

AYD NO  
**10-50591**

MATERIAL  
**TYPE-1**

WEIGHT  
**8,20 KG**

BALANCING  
**100 %**



### Technical Specifications:

Diameter (mm)	Height (mm)	Brake Disc Thickness (mm)	Min. Thickness (mm)	Centering Diameter (mm)	Bolt Hole Circle (mm)	Num. of Holes
303.2	47.3	26.2	24	72.1	114.3	5

## FORD USA

MODEL	START Y.	END Y.
ESCAPE	2007/08	2012/12



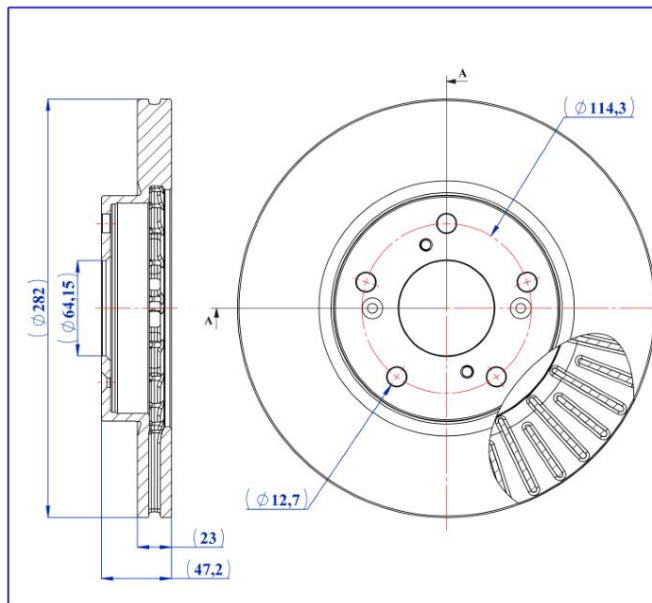
## BRAKE DISC

BRAKE ROTOR

- Front Axle
- Vented

- Safety
- Performance
- OEM Standarts
- AYD Quality

OE:  
45251S7AN10  
45251SCAE00  
45251SMCN10



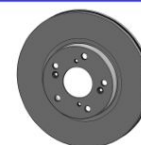
**AYD**  
AUTOMOTIVE INDUSTRY

AYD NO  
**10-50546**

MATERIAL  
**TYPE-1**

WEIGHT  
**6,20 KG**

BALANCING  
**100 %**



**10-50546**

### Technical Specifications:

Diameter (mm)	Height (mm)	Brake Disc Thickness (mm)	Min. Thickness (mm)	Centering Diameter (mm)	Bolt Hole Circle (mm)	Num. of Holes
282	47.2	23	21	64.15	114.3	5+4

## HONDA

MODEL	START Y.	END Y.
ACCORD VII (CL, CN)	2003/01	2012/09
ACCORD VII (CM)	2002/09	2008/05
ELEMENT (YH)	2002/07	2011/12



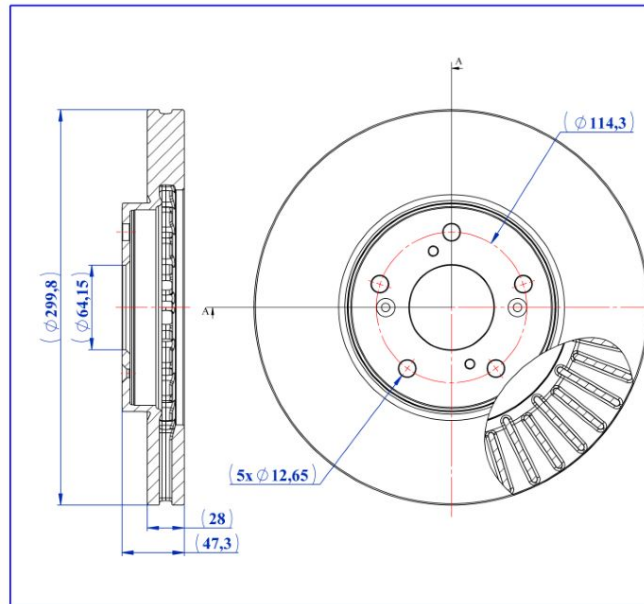
## BRAKE DISC

BRAKE ROTOR

- Front Axle
- Vented

- Safety
- Performance
- OEM Standarts
- AYD Quality

OE:  
45251TA6A00  
45251SOX000



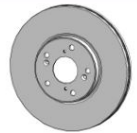
**AYD**<sup>®</sup>  
AUTOMOTIVE INDUSTRY

AYD NO  
**10-50552**

MATERIAL  
**TYPE-1**

WEIGHT  
**8,18 KG**

BALANCING  
**100 %**



**10-50552**

### Technical Specifications:

Diameter (mm)	Height (mm)	Brake Disc Thickness (mm)	Min. Thickness (mm)	Centering Diameter (mm)	Bolt Hole Circle (mm)	Num. of Holes
299.8	47.3	28	26	64.15	114.3	5+4

## HONDA

MODEL	START Y.	END Y.
ACCORD VII Tourer (CM, CN)	2003/04	2008/05
ODYSSEY (RL1, RA6, RA_)	1998/09	
PILOT	2002/09	2008/07



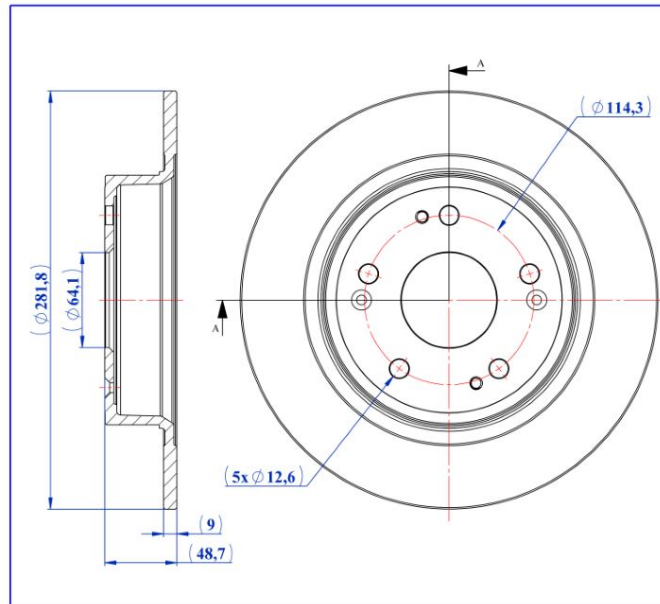
## BRAKE DISC

BRAKE ROTOR

- Rear Axle
- Solid

- Safety
- Performance
- OEM Standarts
- AYD Quality

OE:  
42510TA0A02  
42510SFY000  
42510T7WA01



**AYD**<sup>®</sup>  
AUTOMOTIVE INDUSTRY

AYD NO  
**10-50554**

MATERIAL  
**TYPE-1**

WEIGHT  
**4,17KG**

BALANCING  
**100 %**



**10-50554**

### Technical Specifications:

Diameter (mm)	Height (mm)	Brake Disc Thickness (mm)	Min. Thickness (mm)	Centering Diameter (mm)	Bolt Hole Circle (mm)	Num. of Holes
281.8	48.7	9	8	64.1	114.3	5+4

## HONDA

MODEL	START Y.	END Y.
ACCORD IX Sedan (CR)	2012/09	
ACCORD VIII (CU)	2008/04	
ACCORD VIII Station wagon (CW)	2008/07	
HR-V (RU)	2014/11	





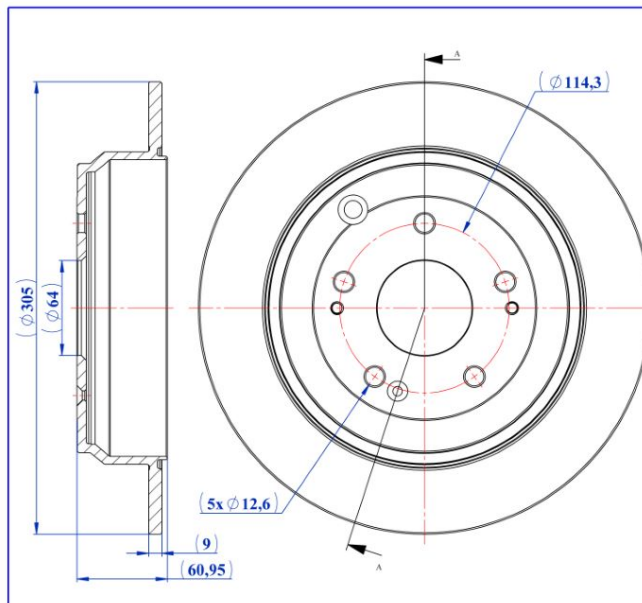
## BRAKE DISC

BRAKE ROTOR

- Rear Axle
- Solid

- Safety
- Performance
- OEM Standarts
- AYD Quality

OE:  
42510T0GA04  
42510STKA00  
42510SA9E50



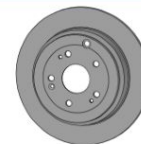
**AYD**  
AUTOMOTIVE INDUSTRY

AYD NO  
**10-50555**

MATERIAL  
**TYPE-1**

WEIGHT  
**4,95 KG**

BALANCING  
**100 %**



**10-50555**

### Technical Specifications:

Diameter (mm)	Height (mm)	Brake Disc Thickness (mm)	Min. Thickness (mm)	Centering Diameter (mm)	Bolt Hole Circle (mm)	Num. of Holes
305	60.95	9	7.5	64	114.3	5+4

## HONDA

MODEL	START Y.	END Y.
CR-V II (RD_)	2001/09	2007/07



## BRAKE DISC

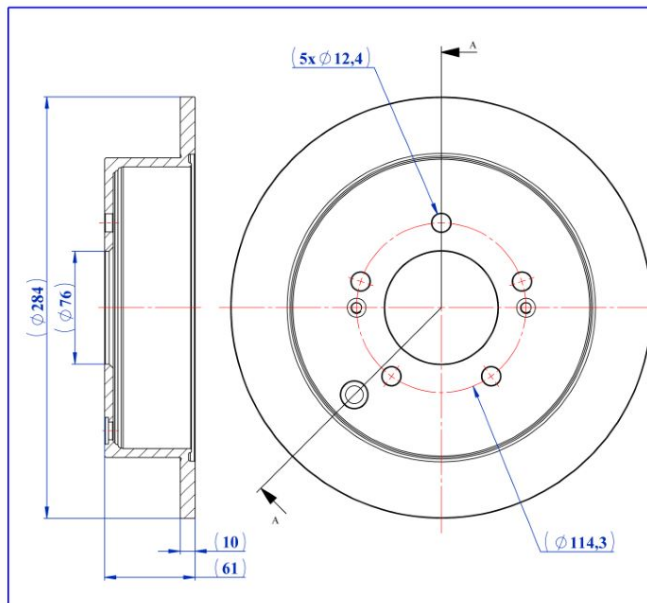
BRAKE ROTOR

- Rear Axle
- Solid

- Safety
- Performance
- OEM Standarts
- AYD Quality

OE:  
584112Y300  
584113A300

**10-50231**



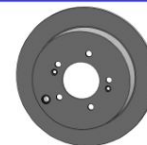
**AYD**  
AUTOMOTIVE INDUSTRY

AYD NO  
**10-50231**

MATERIAL  
**TYPE-1**

WEIGHT  
**4,79KG**

BALANCING  
**100 %**



### Technical Specifications:

Diameter (mm)	Height (mm)	Brake Disc Thickness (mm)	Min. Thickness (mm)	Centering Diameter (mm)	Bolt Hole Circle (mm)	Num. of Holes
284	61	10	8.4	76	114.3	5+3

## HYUNDAI

MODEL	START Y.	END Y.
HIGHWAY VAN	2000/03	2004/03
ix35 (LM, EL, ELH)	2009/08	
SANTA FÉ I (SM)	2000/11	2006/03
TRAJET (FO)	2000/01	2008/07
TUCSON (JM)	2004/06	



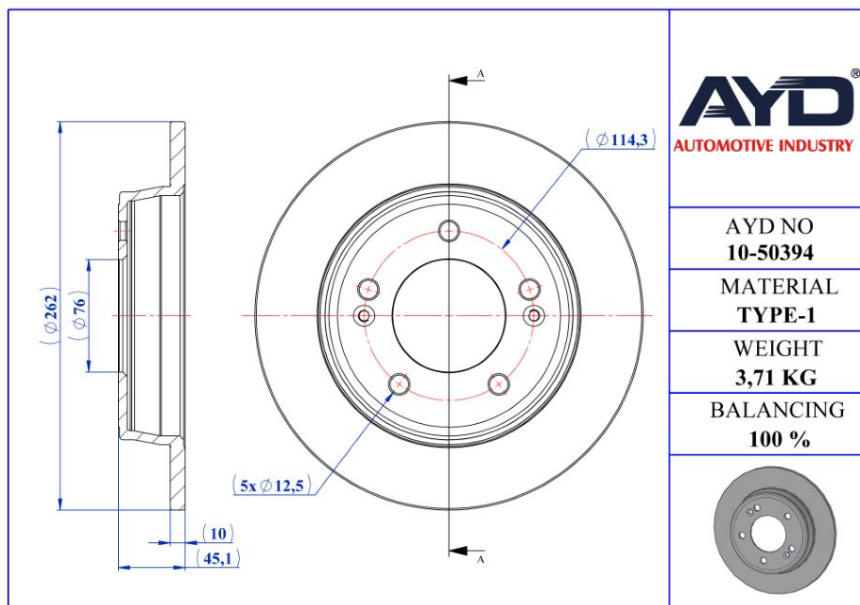
## BRAKE DISC

BRAKE ROTOR

- Rear Axle
- Solid

- Safety
- Performance
- OEM Standarts
- AYD Quality

OE:  
58411A6300  
584113X300  
584113Y300



**AYD**  
AUTOMOTIVE INDUSTRY

AYD NO  
**10-50394**

MATERIAL  
**TYPE-1**

WEIGHT  
**3,71 KG**

BALANCING  
**100 %**



**10-50394**

### Technical Specifications:

Diameter (mm)	Height (mm)	Brake Disc Thickness (mm)	Min. Thickness (mm)	Centering Diameter (mm)	Bolt Hole Circle (mm)	Num. of Holes
262	45.1	10	8.4	76	114.3	5+2

## HYUNDAI

MODEL	START Y.	END Y.
CRETA	2016/01	
ELANTRA V Sedan (MD, UD)	2010/09	
i30 (GD)	2011/06	
i30 Coupe	2013/05	
i30 Station wagon (GD)	2012/06	
KONA (OS, OSE, OSI)	2017/06	
VELOSTER (FS)	2011/03	2017/12



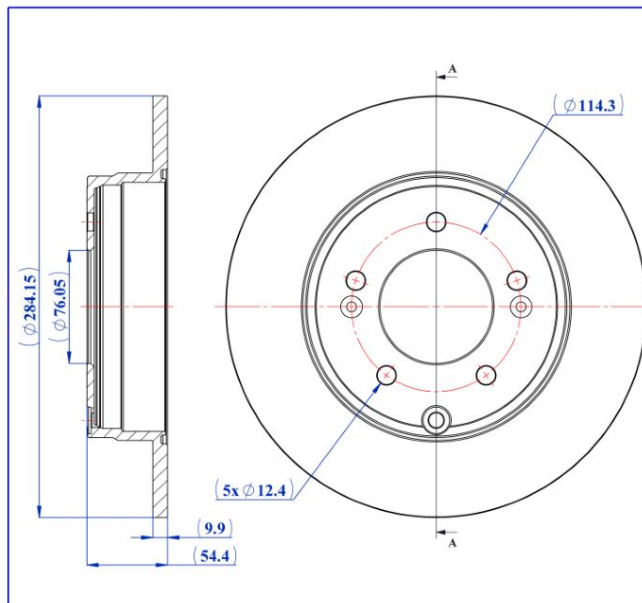
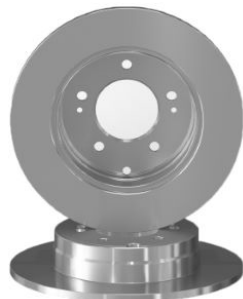
## BRAKE DISC

BRAKE ROTOR

- Rear Axle
- Solid

- Safety
- Performance
- OEM Standarts
- AYD Quality

OE:  
584113K110  
584113K100  
584113S100



**AYD**  
AUTOMOTIVE INDUSTRY

AYD NO  
**10-50556**

MATERIAL  
**TYPE-1**

WEIGHT  
**4,51 KG**

BALANCING  
**100 %**



**10-50556**

### Technical Specifications:

Diameter (mm)	Height (mm)	Brake Disc Thickness (mm)	Min. Thickness (mm)	Centering Diameter (mm)	Bolt Hole Circle (mm)	Num. of Holes
284.15	54.4	9.9	8.4	76.05	114.3	5+3

## HYUNDAI

MODEL	START Y.	END Y.
GRANDEUR (HG)	2011/01	
GRANDEUR (TG)	2003/06	2012/06
ix35 (LM, EL, ELH)	2009/08	
SONATA V (NF)	2004/12	2012/11



## BRAKE DISC

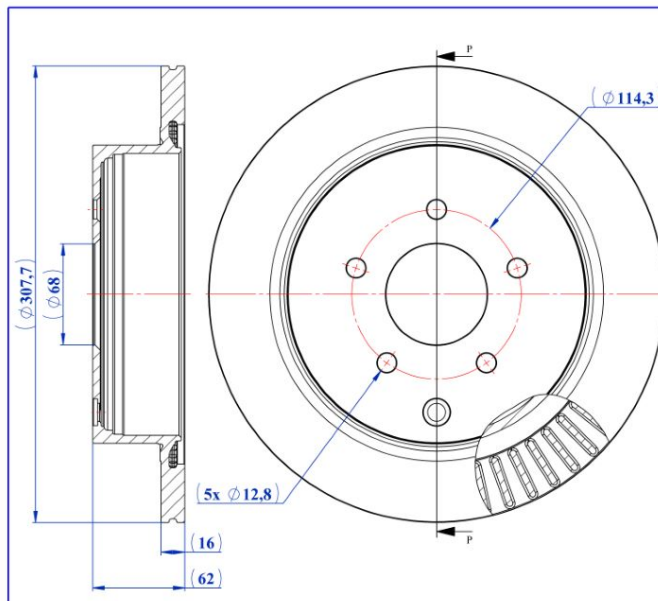
BRAKE ROTOR

- Rear Axle
- Vented

- Safety
- Performance
- OEM Standarts
- AYD Quality

OE:  
43206WL000

**10-50586**



**AYD**  
AUTOMOTIVE INDUSTRY

AYD NO  
**10-50586**

MATERIAL  
**TYPE-1**

WEIGHT  
**5,86 KG**

BALANCING  
**100 %**



### Technical Specifications:

Diameter (mm)	Height (mm)	Brake Disc Thickness (mm)	Min. Thickness (mm)	Centering Diameter (mm)	Bolt Hole Circle (mm)	Num. of Holes
307.7	62	16	14	68	114.3	5+1

## INFINITI

MODEL	START Y.	END Y.
EX	2007/09	
FX	2002/09	2008/12
G Cabrio	2010/09	
G Sedan	2007/01	
G Sedan	2002/08	
M (Y51)	2010/03	
Q50	2013/04	
Q60 Coupe	2016/09	
Q70 (Y51)	2013/03	

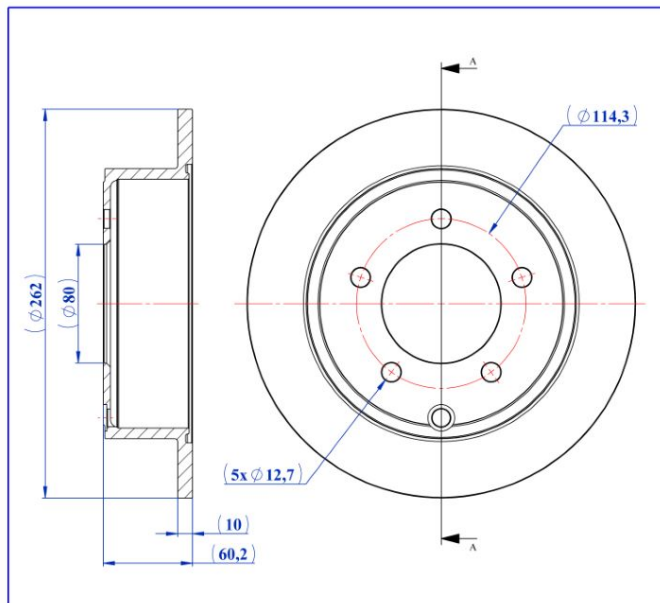


## BRAKE DISC

BRAKE ROTOR

- Rear Axle
- Solid

- Safety
- Performance
- OEM Standarts
- AYD Quality



AYD NO  
**10-50558**

MATERIAL  
**TYPE-1**

WEIGHT  
**4,14 KG**

BALANCING  
**100 %**



OE:  
5105515AA

**10-50558**

### Technical Specifications:

Diameter (mm)	Height (mm)	Brake Disc Thickness (mm)	Min. Thickness (mm)	Centering Diameter (mm)	Bolt Hole Circle (mm)	Num. of Holes
262	60.2	10	8.4	80	114.3	5+1

## JEEP

MODEL	START Y.	END Y.
COMPASS (MK49)	2006/08	
PATRIOT (MK74)	2007/02	2017/12

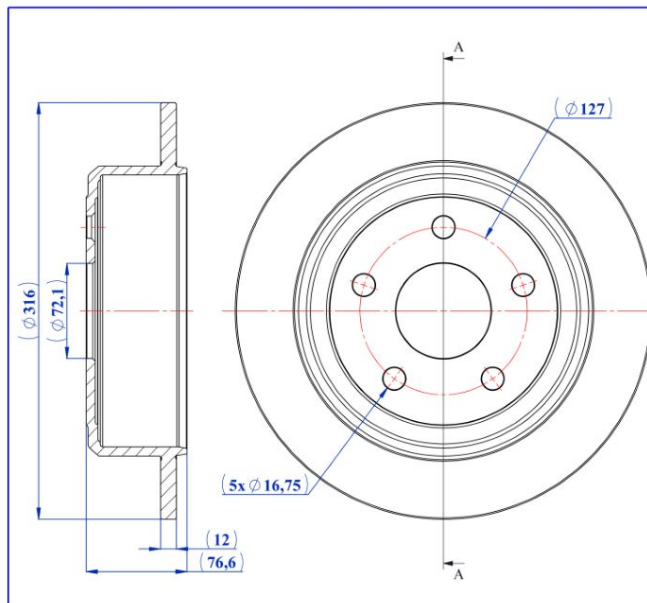


## BRAKE DISC

BRAKE ROTOR

- Rear Axle
- Solid

- Safety
- Performance
- OEM Standarts
- AYD Quality



AYD NO  
**10-50561**

MATERIAL  
**TYPE-1**

WEIGHT  
**7,31 KG**

BALANCING  
**100 %**



OE:  
52060147AA

**10-50561**

### Technical Specifications:

Diameter (mm)	Height (mm)	Brake Disc Thickness (mm)	Min. Thickness (mm)	Centering Diameter (mm)	Bolt Hole Circle (mm)	Num. of Holes
316	76.6	12	10.4	72.1	127	5

## JEEP

MODEL	START Y.	END Y.
WRANGLER III (JK)	2006/06	

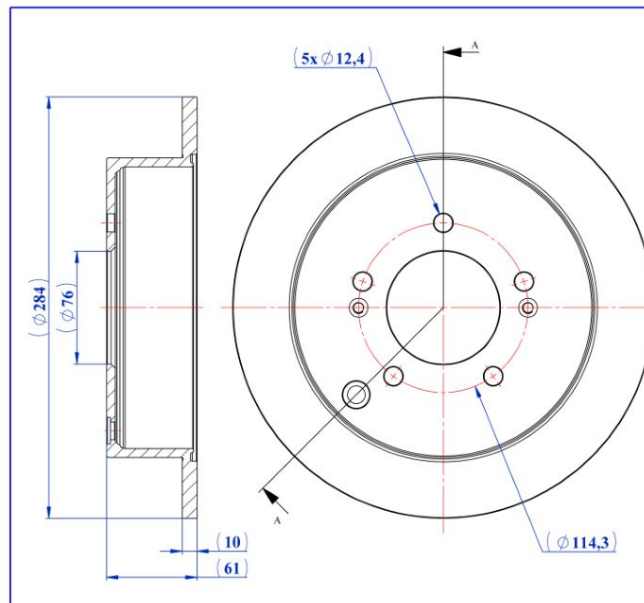


## BRAKE DISC

BRAKE ROTOR

- Rear Axle
- Solid

- Safety
- Performance
- OEM Standarts
- AYD Quality



AYD NO  
**10-50231**

MATERIAL  
**TYPE-1**

WEIGHT  
**4,79KG**

BALANCING  
**100 %**



OE:  
584112Y300

**10-50231**

### Technical Specifications:

Diameter (mm)	Height (mm)	Brake Disc Thickness (mm)	Min. Thickness (mm)	Centering Diameter (mm)	Bolt Hole Circle (mm)	Num. of Holes
284	61	10	8.4	76	114.3	5+3

## KIA

MODEL	START Y.	END Y.
SPORTAGE II (JE_, KM)	2004/09	
SPORTAGE III (SL)	2009/09	





## BRAKE DISC

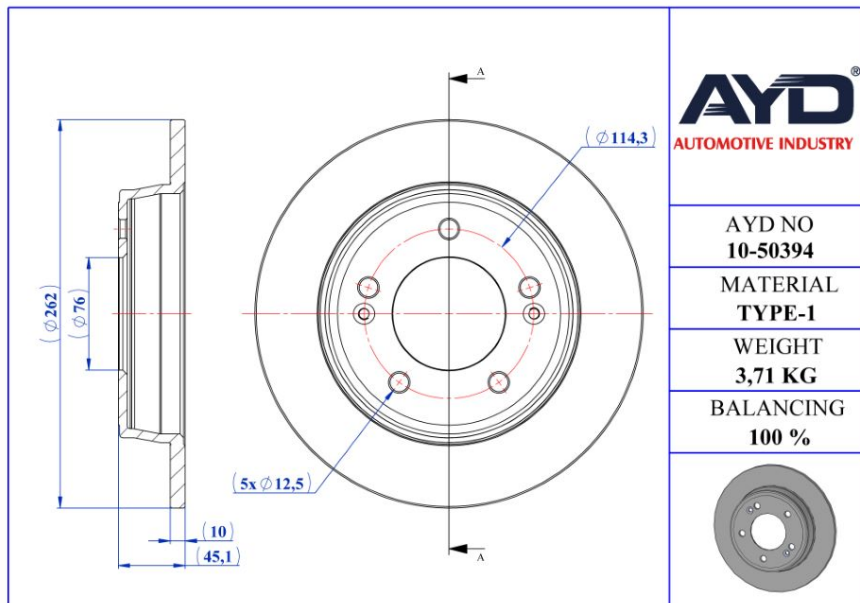
BRAKE ROTOR

- Rear Axle
- Solid

- Safety
- Performance
- OEM Standarts
- AYD Quality

OE:  
584113X300  
584113Y300

**10-50394**



**AYD**  
AUTOMOTIVE INDUSTRY

AYD NO  
**10-50394**

MATERIAL  
**TYPE-1**

WEIGHT  
**3,71 KG**

BALANCING  
**100 %**



### Technical Specifications:

Diameter (mm)	Height (mm)	Brake Disc Thickness (mm)	Min. Thickness (mm)	Centering Diameter (mm)	Bolt Hole Circle (mm)	Num. of Holes
262	45.1	10	8.4	76	114.3	5+2

## KIA

MODEL	START Y.	END Y.
CEE'D (JD)	2012/05	
CEE'D Sportswagon (JD)	2012/09	
CERATO III Sedan (YD)	2012/09	
CERATO KOUP II (TD)	2009/01	
CERATO KOUP III (YD)	2013/12	
PRO CEE'D (JD)	2013/03	
SOUL II (PS)	2014/02	



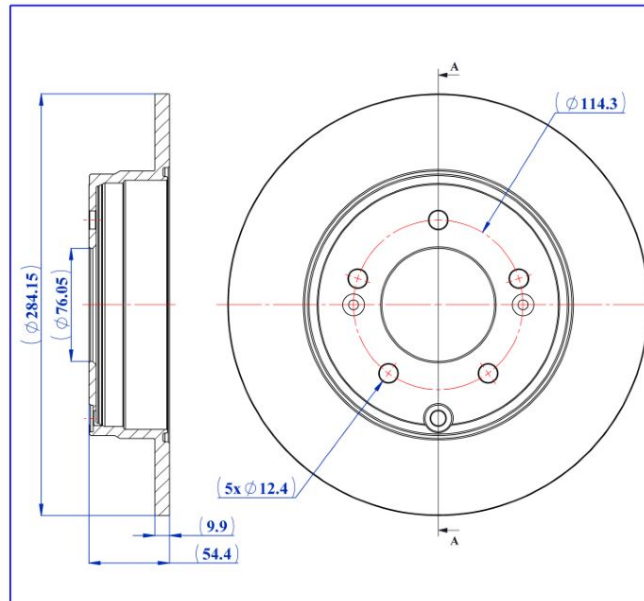
## BRAKE DISC

BRAKE ROTOR

- Rear Axle
- Solid

- Safety
- Performance
- OEM Standarts
- AYD Quality

OE:  
584113K100  
584113S100  
58411K110



AYD NO  
**10-50556**

MATERIAL  
**TYPE-1**

WEIGHT  
**4,51 KG**

BALANCING  
**100 %**



**10-50556**

### Technical Specifications:

Diameter (mm)	Height (mm)	Brake Disc Thickness (mm)	Min. Thickness (mm)	Centering Diameter (mm)	Bolt Hole Circle (mm)	Num. of Holes
284.15	54.4	9.9	8.4	76.05	114.3	5+3

## KIA

MODEL	START Y.	END Y.
OPTIMA (FSGDS6B)	2010/01	

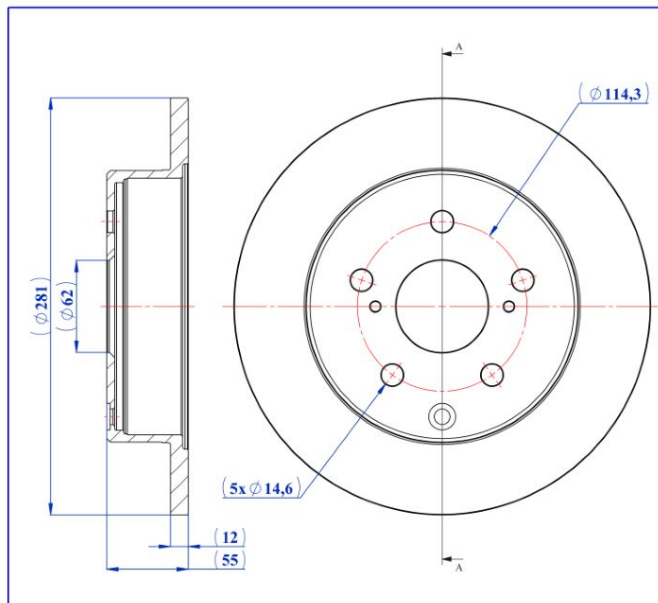


## BRAKE DISC

BRAKE ROTOR

- Rear Axle
- Solid

- Safety
- Performance
- OEM Standarts
- AYD Quality



AYD NO  
**10-50480**

MATERIAL  
**TYPE-1**

WEIGHT  
**4,85 KG**

BALANCING  
**100 %**



OE:  
424310R010

**10-50480**

### Technical Specifications:

Diameter (mm)	Height (mm)	Brake Disc Thickness (mm)	Min. Thickness (mm)	Centering Diameter (mm)	Bolt Hole Circle (mm)	Num. of Holes
281	55	12	10.5	62	114.3	5+3

## LEXUS

MODEL	START Y.	END Y.
HS (ANF10)	2009/07	2018/01



## BRAKE DISC

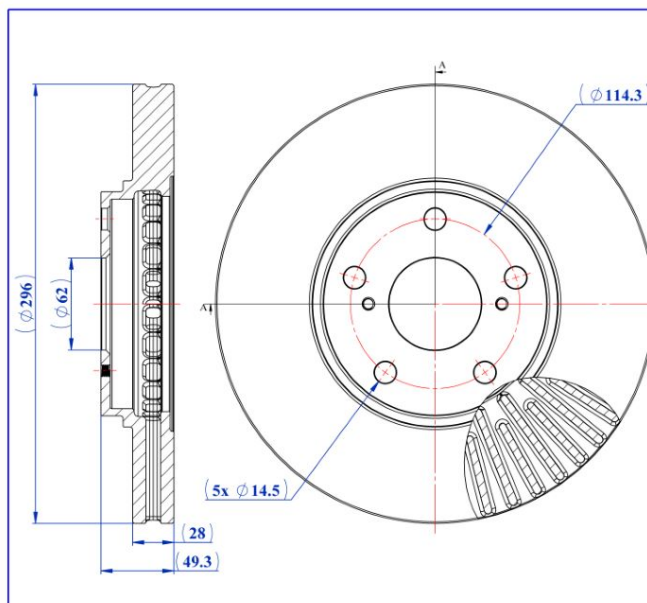
BRAKE ROTOR

- Front Axle
- Vented

- Safety
- Performance
- OEM Standarts
- AYD Quality

OE:  
4351248031

**10-50584**



**AYD**  
AUTOMOTIVE INDUSTRY

AYD NO  
**10-50584**

MATERIAL  
**TYPE-1**

WEIGHT  
**8,90 KG**

BALANCING  
**100 %**



### Technical Specifications:

Diameter (mm)	Height (mm)	Brake Disc Thickness (mm)	Min. Thickness (mm)	Centering Diameter (mm)	Bolt Hole Circle (mm)	Num. of Holes
296	49.3	28	26	62	114.3	5+2

## LEXUS

MODEL	START Y.	END Y.
RX (MCU15)	1998/01	2003/05



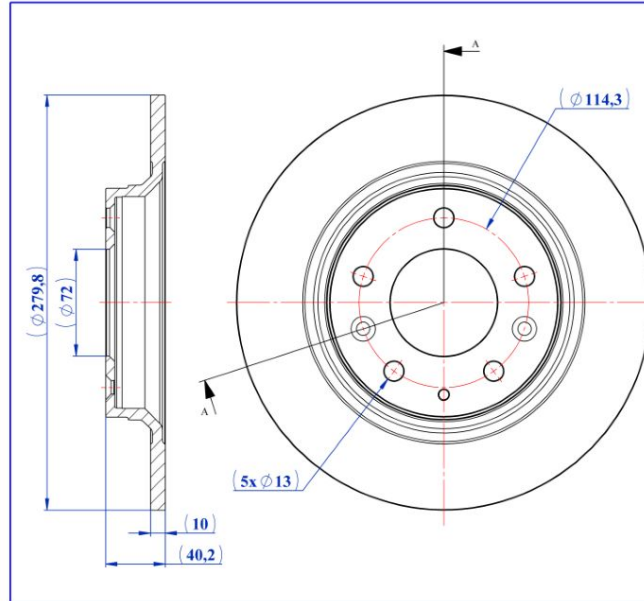
## BRAKE DISC

BRAKE ROTOR

- Rear Axle
- Solid

- Safety
- Performance
- OEM Standarts
- AYD Quality

OE:  
N12326251B  
N12326251A  
N12326251



**AYD**  
AUTOMOTIVE INDUSTRY

AYD NO  
**10-50262**

MATERIAL  
**TYPE-1**

WEIGHT  
**4,06 KG**

BALANCING  
**100 %**



**10-50262**

### Technical Specifications:

Diameter (mm)	Height (mm)	Brake Disc Thickness (mm)	Min. Thickness (mm)	Centering Diameter (mm)	Bolt Hole Circle (mm)	Num. of Holes
279.8	40.2	10	8	72	114.3	5+3

## MAZDA

MODEL	START Y.	END Y.
323 F VI (BJ)	1998/09	2004/05
323 S VI (BJ)	1998/05	2004/05
6 Hatchback (GG)	2002/08	2008/12
6 Hatchback (GH)	2007/08	2013/07
6 Sedan (GG)	2002/06	2008/12
6 Sedan (GH)	2007/08	2013/12
6 Station wagon (GH)	2007/12	2013/07
6 Station Wagon (GY)	2002/01	2008/02
626 V Station Wagon (GW)	1998/01	2002/12
MX-5 III (NC)	2005/03	2014/12
PREMACY (CP)	1999/01	2005/03



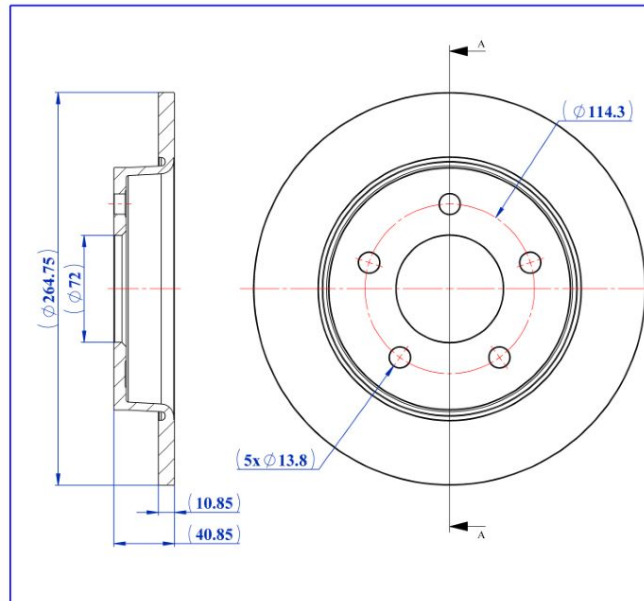
## BRAKE DISC

BRAKE ROTOR

- Rear Axle
- Solid

- Safety
- Performance
- OEM Standarts
- AYD Quality

OE:  
BP4Y26251B  
BP4Y26251C  
C24Y26251D



**AYD**<sup>®</sup>  
AUTOMOTIVE INDUSTRY

AYD NO  
**10-50337**

MATERIAL  
**TYPE-1**

WEIGHT  
**4,43KG**

BALANCING  
**100 %**



**10-50337**

### Technical Specifications:

Diameter (mm)	Height (mm)	Brake Disc Thickness (mm)	Min. Thickness (mm)	Centering Diameter (mm)	Bolt Hole Circle (mm)	Num. of Holes
264.75	40.85	10.85	9	72	114.3	5

## MAZDA

MODEL	START Y.	END Y.
3 (BK)	2003/10	2009/12
3 (BL)	2008/12	2014/09
3 Sedan (BK)	1999/09	2009/12
3 Sedan (BL)	2008/12	2014/12



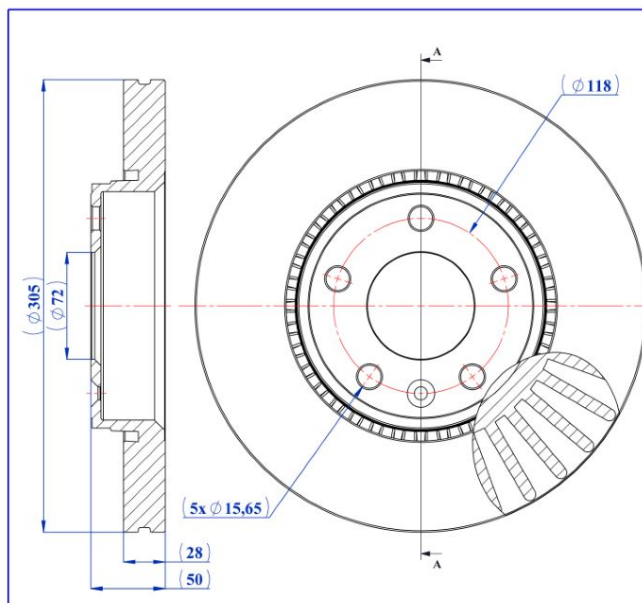
## BRAKE DISC

BRAKE ROTOR

- Front Axle
- Vented

- Safety
- Performance
- OEM Standarts
- AYD Quality

OE:  
4408275  
4020600QAH  
4020600QAG



**AYD**  
AUTOMOTIVE INDUSTRY

AYD NO  
**10-50182**

MATERIAL  
**TYPE-1**

WEIGHT  
**9,62 KG**

BALANCING  
**100 %**



**10-50182**

### Technical Specifications:

Diameter (mm)	Height (mm)	Brake Disc Thickness (mm)	Min. Thickness (mm)	Centering Diameter (mm)	Bolt Hole Circle (mm)	Num. of Holes
305	50	28	24	72	118	5+1

## NISSAN

MODEL	START Y.	END Y.
PRIMASTAR Minibus/Bus (X83)	2001/03	
PRIMASTAR Panelvan/Van (X83)	2002/09	
PRIMASTAR Platform (X83)	2002/07	



## BRAKE DISC

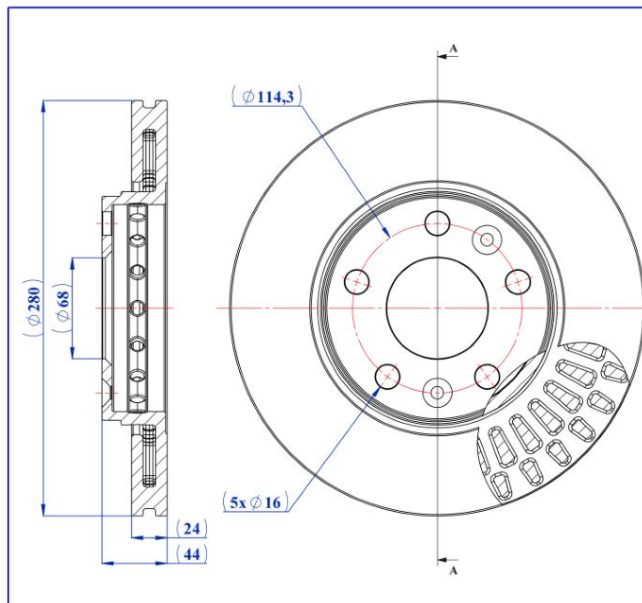
BRAKE ROTOR

- Front Axle
- Vented

- Safety
- Performance
- OEM Standarts
- AYD Quality

OE:  
4020600Q0L  
4020600Q1B

**10-50184**



**AYD**  
AUTOMOTIVE INDUSTRY

AYD NO  
**10-50184**

MATERIAL  
**TYPE-1**

WEIGHT  
**6,70 KG**

BALANCING  
**100 %**



### Technical Specifications:

Diameter (mm)	Height (mm)	Brake Disc Thickness (mm)	Min. Thickness (mm)	Centering Diameter (mm)	Bolt Hole Circle (mm)	Num. of Holes
280	44	24	21.8	68	114.3	5+2

## NISSAN

MODEL	START Y.	END Y.
TERRANO (D10)	2013/08	





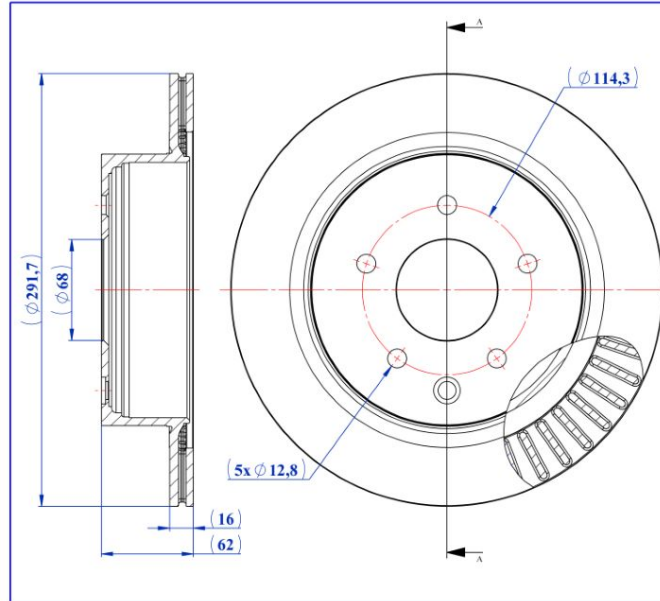
## BRAKE DISC

BRAKE ROTOR

- Rear Axle
- Vented

- Safety
- Performance
- OEM Standarts
- AYD Quality

OE:  
432068H304  
432068H701  
432068H700



**AYD**  
AUTOMOTIVE INDUSTRY

AYD NO  
**10-50245**

MATERIAL  
**TYPE-1**

WEIGHT  
**5,33 KG**

BALANCING  
**100 %**



**10-50245**

### Technical Specifications:

Diameter (mm)	Height (mm)	Brake Disc Thickness (mm)	Min. Thickness (mm)	Centering Diameter (mm)	Bolt Hole Circle (mm)	Num. of Holes
291.7	62	16	14	68	114.3	5+1

## NISSAN

MODEL	START Y.	END Y.
JUKE (F15)	2010/06	
LEAF (ZE0)	2010/11	
QASHQAI / QASHQAI +2 I (J10, NJ10, JJ10E)	2006/12	2014/04
X-TRAIL (T30)	2001/01	2013/12
X-TRAIL (T31)	2007/03	2018/12



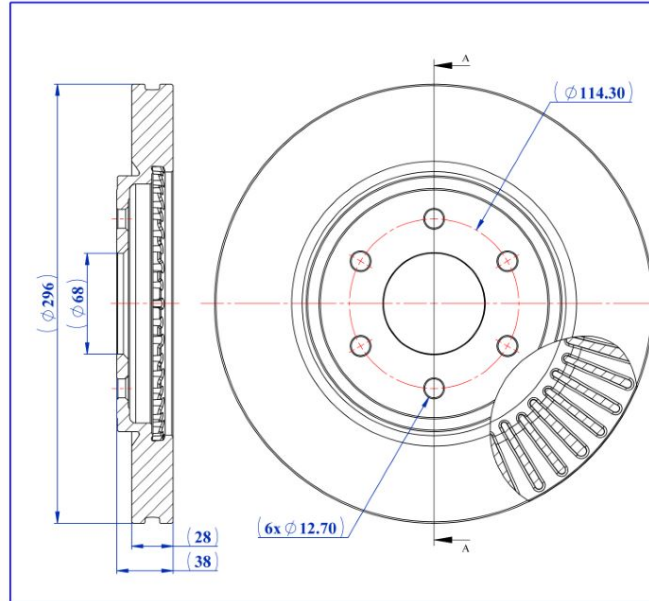
## BRAKE DISC

BRAKE ROTOR

- Front Axle
- Vented

- Safety
- Performance
- OEM Standarts
- AYD Quality

OE:  
402069BE0C  
40206EA00A  
40206EB300



**AYD**  
AUTOMOTIVE INDUSTRY

AYD NO  
**10-50535**

MATERIAL  
**TYPE-1**

WEIGHT  
**8,12 KG**

BALANCING  
**100 %**



**10-50535**

### Technical Specifications:

Diameter (mm)	Height (mm)	Brake Disc Thickness (mm)	Min. Thickness (mm)	Centering Diameter (mm)	Bolt Hole Circle (mm)	Num. of Holes
296	38	28	26	68	114.3	6

## NISSAN

MODEL	START Y.	END Y.
NP300 NAVARA (D40)	2004/10	
NP300 NAVARA Platform (D40)	2008/07	
PATHFINDER III (R51)	2005/01	



## BRAKE DISC

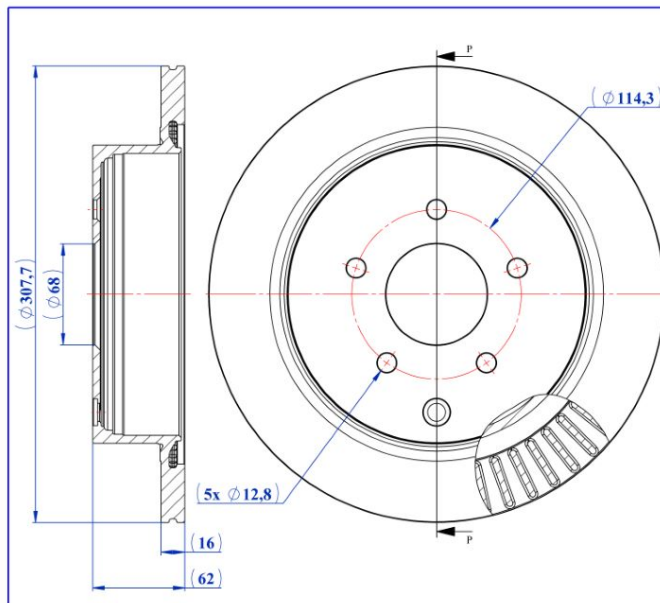
BRAKE ROTOR

- Rear Axle
- Vented

- Safety
- Performance
- OEM Standarts
- AYD Quality

OE:  
43206CK000

**10-50586**



**AYD**  
AUTOMOTIVE INDUSTRY

AYD NO  
**10-50586**

MATERIAL  
**TYPE-1**

WEIGHT  
**5,86 KG**

BALANCING  
**100 %**



### Technical Specifications:

Diameter (mm)	Height (mm)	Brake Disc Thickness (mm)	Min. Thickness (mm)	Centering Diameter (mm)	Bolt Hole Circle (mm)	Num. of Holes
307.7	62	16	14	68	114.3	5+1

## NISSAN

MODEL	START Y.	END Y.
MURANO I (Z50)	2002/04	2009/12
MURANO II (Z51)	2007/10	2014/09
MURANO III (Z52_)	2014/10	

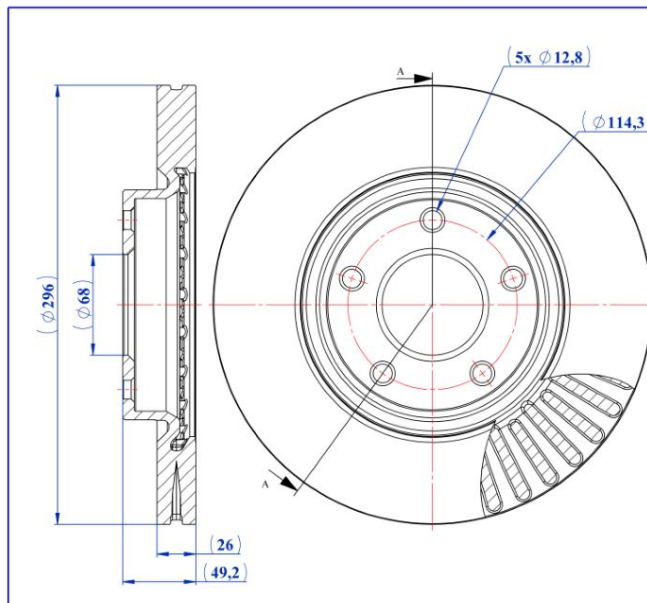


## BRAKE DISC

BRAKE ROTOR

- Front Axle
- Vented

- Safety
- Performance
- OEM Standarts
- AYD Quality



**AYD**  
AUTOMOTIVE INDUSTRY

AYD NO  
**10-50589**

MATERIAL  
**TYPE-1**

WEIGHT  
**8,26 KG**

BALANCING  
**100 %**



OE:  
402063TA0A

**10-50589**

### Technical Specifications:

Diameter (mm)	Height (mm)	Brake Disc Thickness (mm)	Min. Thickness (mm)	Centering Diameter (mm)	Bolt Hole Circle (mm)	Num. of Holes
296	49.2	26	24	68	114.3	5

## NISSAN

MODEL	START Y.	END Y.
ALTIMA (L33)	2012/05	
TEANA III (J33, L33)	2013/09	



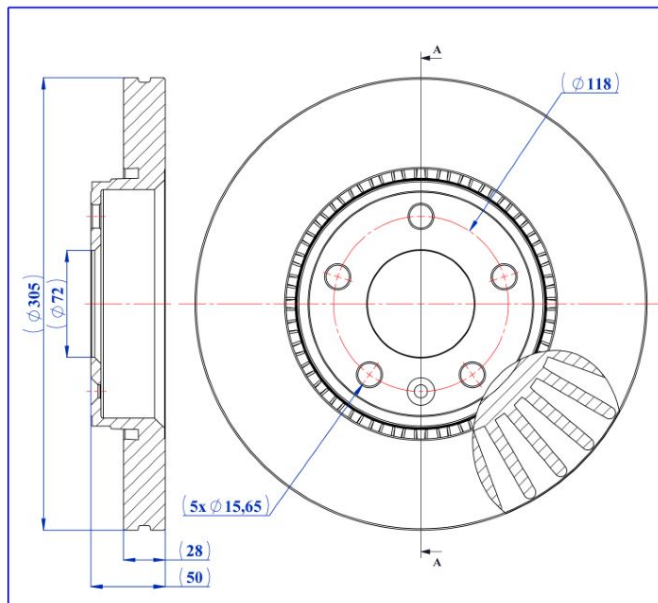
## BRAKE DISC

BRAKE ROTOR

- Front Axle
- Vented

- Safety
- Performance
- OEM Standarts
- AYD Quality

OE:  
4413734  
4414632



**AYD**<sup>®</sup>  
AUTOMOTIVE INDUSTRY

AYD NO  
**10-50182**

MATERIAL  
**TYPE-1**

WEIGHT  
**9,62 KG**

BALANCING  
**100 %**



**10-50182**

### Technical Specifications:

Diameter (mm)	Height (mm)	Brake Disc Thickness (mm)	Min. Thickness (mm)	Centering Diameter (mm)	Bolt Hole Circle (mm)	Num. of Holes
305	50	28	24	72	118	5+1

## OPEL

MODEL	START Y.	END Y.
VIVARO A Minibus/Bus (X83)	2001/08	
VIVARO A Panelvan/Van (X83)	2001/08	
VIVARO A Platform (X83)	2001/08	



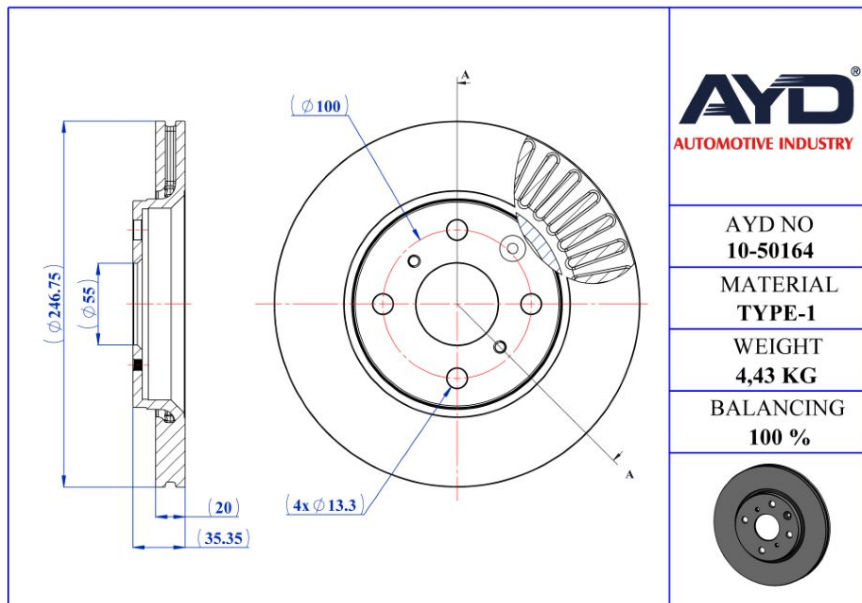
## BRAKE DISC

BRAKE ROTOR

- Front Axle
- Vented

- Safety
- Performance
- OEM Standarts
- AYD Quality

OE:  
1613819880  
1618862380  
1630633180



**AYD**  
AUTOMOTIVE INDUSTRY

AYD NO  
**10-50164**

MATERIAL  
**TYPE-1**

WEIGHT  
**4,43 KG**

BALANCING  
**100 %**



**10-50164**

### Technical Specifications:

Diameter (mm)	Height (mm)	Brake Disc Thickness (mm)	Min. Thickness (mm)	Centering Diameter (mm)	Bolt Hole Circle (mm)	Num. of Holes
246.75	35.35	20	18	55	100	4+2

## PEUGEOT

MODEL	START Y.	END Y.
107 (PM_, PN_)	2005/06	2014/05
108	2014/05	



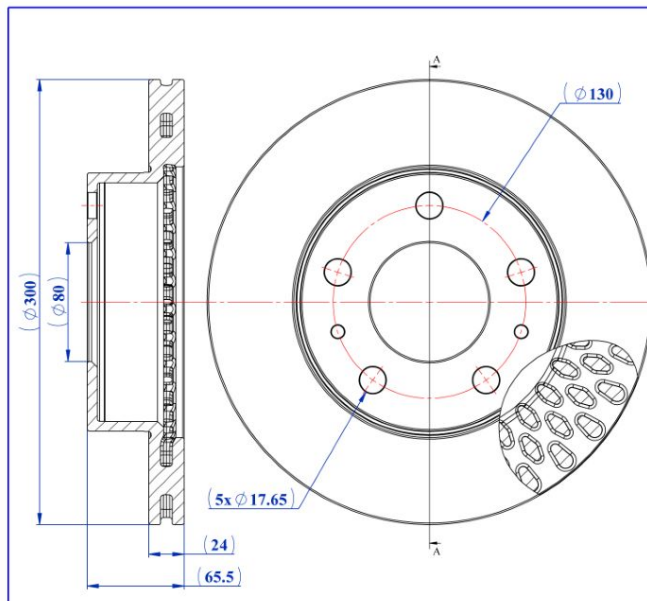
## BRAKE DISC

BRAKE ROTOR

- Front Axle
- Vented

- Safety
- Performance
- OEM Standarts
- AYD Quality

OE:  
4249H2



**AYD**  
AUTOMOTIVE INDUSTRY

AYD NO  
**10-50279**

MATERIAL  
**TYPE-1**

WEIGHT  
**7,99 KG**

BALANCING  
**100 %**



**10-50279**

### Technical Specifications:

Diameter (mm)	Height (mm)	Brake Disc Thickness (mm)	Min. Thickness (mm)	Centering Diameter (mm)	Bolt Hole Circle (mm)	Num. of Holes
300	65.5	24	21.9	80	130	5+2

## PEUGEOT

MODEL	START Y.	END Y.
BOXER Minibus/Bus	2005/09	
BOXER Minibus/Bus (230P)	1994/03	2002/04
BOXER Minibus/Bus (244, Z_)	2001/12	
BOXER Panelvan/Van	2006/04	
BOXER Panelvan/Van (230L)	1994/03	2005/08
BOXER Panelvan/Van (244)	2001/12	
BOXER Platform	2006/04	
BOXER Platform (244)	2001/12	
BOXER Platform (ZCT_)	1994/03	2002/04

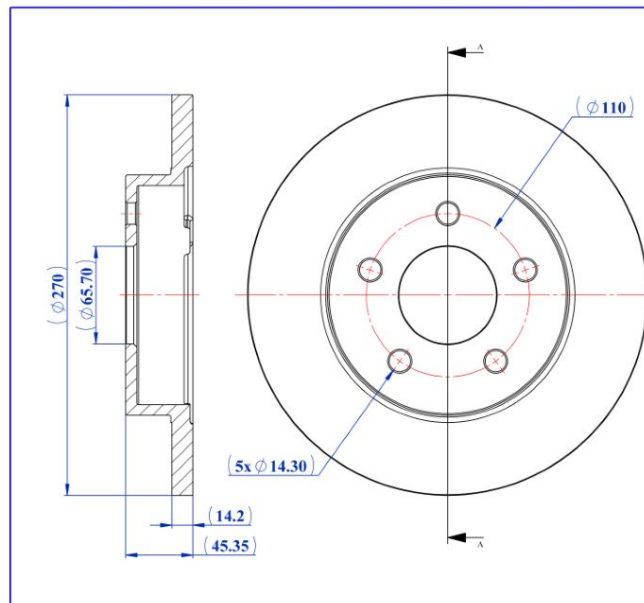


## BRAKE DISC

BRAKE ROTOR

- Rear Axle
- Solid

- Safety
- Performance
- OEM Standarts
- AYD Quality



AYD NO  
**10-50559**

MATERIAL  
**TYPE-1**

WEIGHT  
**5,36 KG**

BALANCING  
**100 %**



OE:  
15935922

**10-50559**

### Technical Specifications:

Diameter (mm)	Height (mm)	Brake Disc Thickness (mm)	Min. Thickness (mm)	Centering Diameter (mm)	Bolt Hole Circle (mm)	Num. of Holes
270	45.35	14.2	12	65.7	110	5

## PONTIAC

MODEL	START Y.	END Y.
G5 Coupe	2007/01	2010/12
G5 Sedan	2007/01	2010/12
G6	2004/03	2010/12



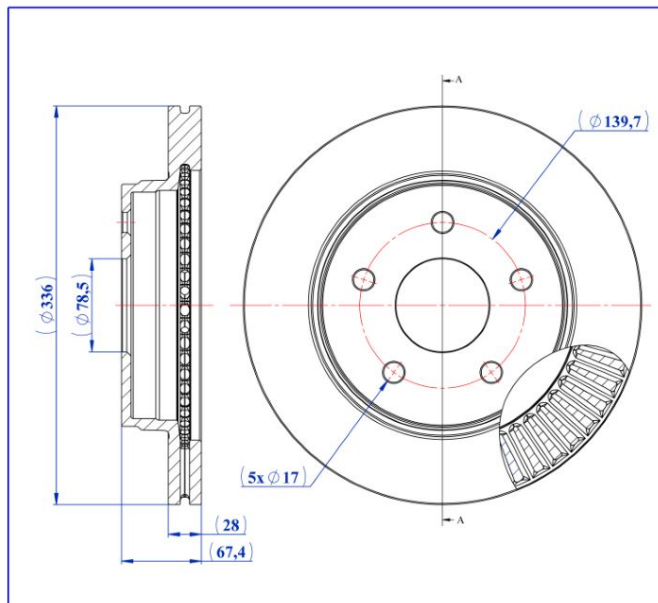


## BRAKE DISC

BRAKE ROTOR

- Front Axle
- Vented

- Safety
- Performance
- OEM Standarts
- AYD Quality

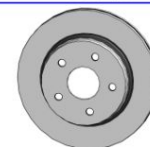


AYD NO  
**10-50549**

MATERIAL  
**TYPE-1**

WEIGHT  
**11,35 KG**

BALANCING  
**100 %**



OE:  
52010080AB

**10-50549**

### Technical Specifications:

Diameter (mm)	Height (mm)	Brake Disc Thickness (mm)	Min. Thickness (mm)	Centering Diameter (mm)	Bolt Hole Circle (mm)	Num. of Holes
336	67.4	28	26.4	78.5	139.7	5

## RAM

MODEL	START Y.	END Y.
1500 Crew Cab Pickup (DS)	2010/09	
1500 Crew Cab Pickup (DT)	2018/12	
1500 Extended Cab Pickup (DS)	2010/09	
1500 Extended Cab Pickup (DT)	2018/12	



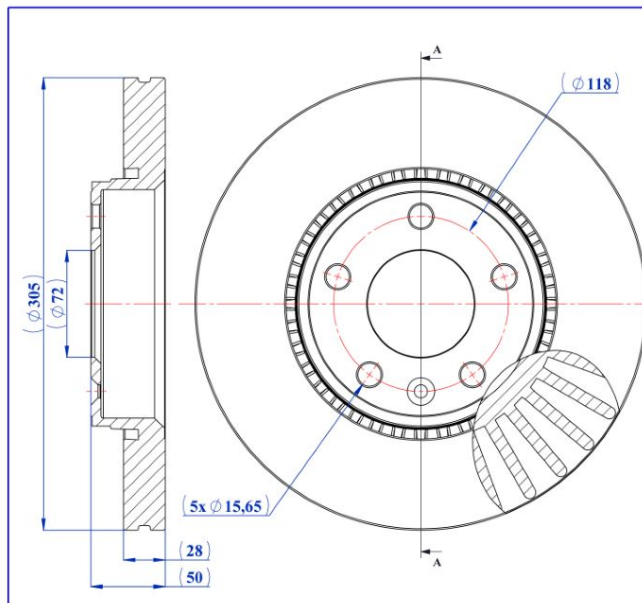
## BRAKE DISC

BRAKE ROTOR

- Front Axle
- Vented

- Safety
- Performance
- OEM Standarts
- AYD Quality

OE:  
7701206845  
7701260845  
7711130077



**AYD**<sup>®</sup>  
AUTOMOTIVE INDUSTRY

AYD NO  
**10-50182**

MATERIAL  
**TYPE-1**

WEIGHT  
**9,62 KG**

BALANCING  
**100 %**



**10-50182**

### Technical Specifications:

Diameter (mm)	Height (mm)	Brake Disc Thickness (mm)	Min. Thickness (mm)	Centering Diameter (mm)	Bolt Hole Circle (mm)	Num. of Holes
305	50	28	24	72	118	5+1

## RENAULT

MODEL	START Y.	END Y.
TRAFIC II Minibus/Bus (JL)	2001/03	
TRAFIC II Panelvan/Van (FL)	2001/03	
TRAFIC II Platform (EL)	2001/03	



## BRAKE DISC

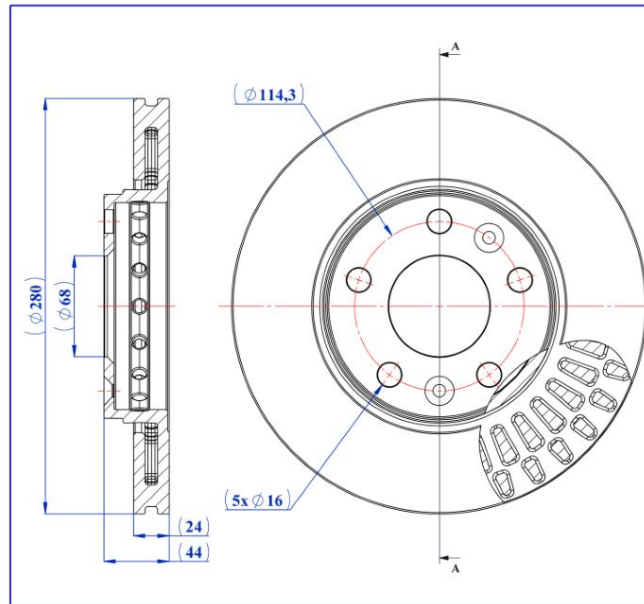
BRAKE ROTOR

- Front Axle
- Vented

- Safety
- Performance
- OEM Standarts
- AYD Quality

OE:  
402060010R  
402063140R

**10-50184**



**AYD**  
AUTOMOTIVE INDUSTRY

AYD NO  
**10-50184**

MATERIAL  
**TYPE-1**

WEIGHT  
**6,70 KG**

BALANCING  
**100 %**



### Technical Specifications:

Diameter (mm)	Height (mm)	Brake Disc Thickness (mm)	Min. Thickness (mm)	Centering Diameter (mm)	Bolt Hole Circle (mm)	Num. of Holes
280	44	24	21.8	68	114.3	5+2

## RENAULT

MODEL	START Y.	END Y.
ARKANA I (LCM_)	2019/08	
DUSTER (HM_)	2017/10	
DUSTER (HS_)	2011/01	
FLUENCE (L3_)	2010/02	
GRAND SCÉNIC III (JZ0/1_)	2009/02	
KAPTUR (H5_)	2016/03	
LAGUNA Coupe (DT0/1)	2008/09	2015/12
LAGUNA III (BT0/1)	2007/10	2015/12
LAGUNA III Grandtour (KT0/1)	2007/10	2015/12
MEGANE CC (EZ0/1_)	2010/06	
MEGANE III Combi Van (KZ0/1)	2009/01	2015/08

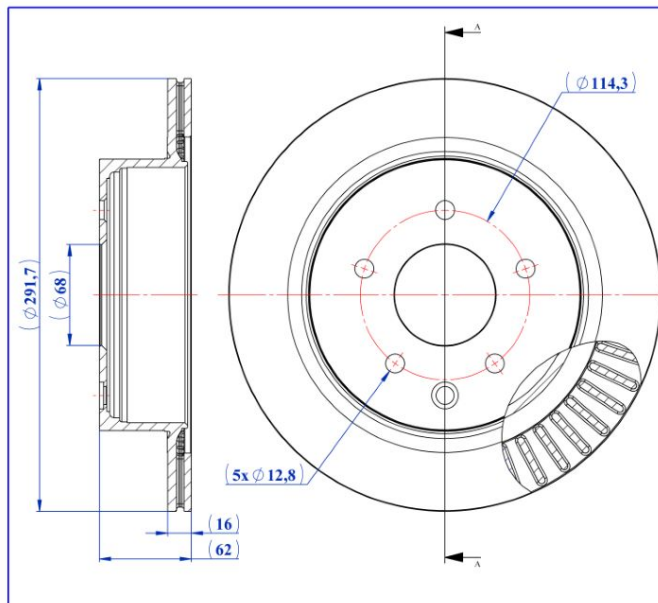


## BRAKE DISC

BRAKE ROTOR

- Rear Axle
- Vented

- Safety
- Performance
- OEM Standarts
- AYD Quality

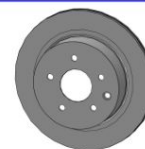


AYD NO  
**10-50245**

MATERIAL  
**TYPE-1**

WEIGHT  
**5,33 KG**

BALANCING  
**100 %**



OE:  
432003112R

**10-50245**

### Technical Specifications:

Diameter (mm)	Height (mm)	Brake Disc Thickness (mm)	Min. Thickness (mm)	Centering Diameter (mm)	Bolt Hole Circle (mm)	Num. of Holes
291.7	62	16	14	68	114.3	5+1

## RENAULT

MODEL	START Y.	END Y.
KOLEOS I (HY_)	2008/09	



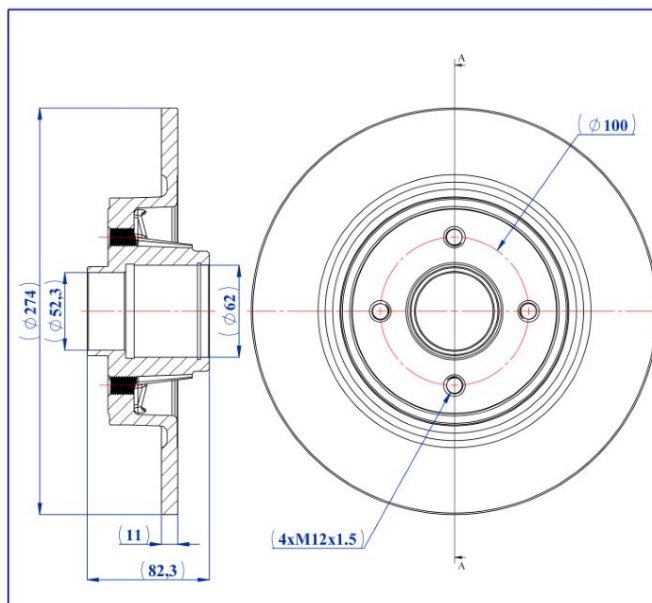
## BRAKE DISC

BRAKE ROTOR

- Rear Axle
- Solid

- Safety
- Performance
- OEM Standarts
- AYD Quality

OE:  
7701206327  
7701206328  
8660001815



**AYD**<sup>®</sup>  
AUTOMOTIVE INDUSTRY

AYD NO  
**10-50612**

MATERIAL  
**TYPE-1**

WEIGHT  
**6,94 KG**

BALANCING  
**100 %**



**10-50612**

### Technical Specifications:

Diameter (mm)	Height (mm)	Brake Disc Thickness (mm)	Min. Thickness (mm)	Centering Diameter (mm)	Bolt Hole Circle (mm)	Num. of Holes
274	82.3	11	9.5	62	100	4

## RENAULT

MODEL	START Y.	END Y.
MEGANE I Grandtour (KA0/1_)	1999/03	2003/08
MEGANE Scenic (JA0/1_)	1996/10	2001/12
SCÉNIC I MPV (JA0/1_, FA0_)	1999/08	2010/07



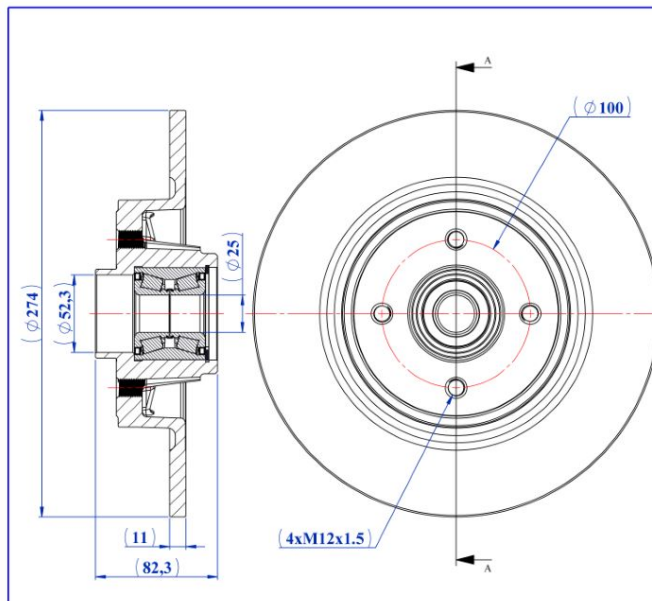
## BRAKE DISC

BRAKE ROTOR

- Rear Axle
- Solid
- With Bearing

- Safety
- Performance
- OEM Standarts
- AYD Quality

OE:  
7701206327-B  
8671018263-B  
7701206328-B



**AYD**  
AUTOMOTIVE INDUSTRY

AYD NO  
**10-50612B**

MATERIAL  
**TYPE-1**

WEIGHT  
**7.7 KG**

BALANCING  
**100 %**



**10-50612B**

### Technical Specifications:

Diameter (mm)	Height (mm)	Brake Disc Thickness (mm)	Min. Thickness (mm)	Centering Diameter (mm)	Bolt Hole Circle (mm)	Num. of Holes
274	82.3	11	9.5	62	100	4

## RENAULT

MODEL	START Y.	END Y.
MEGANE I Grandtour (KA0/1_)	1999/03	2003/08
MEGANE Scenic (JA0/1_)	1996/10	2001/12
SCÉNIC I MPV (JA0/1_, FA0_)	1999/08	2010/07

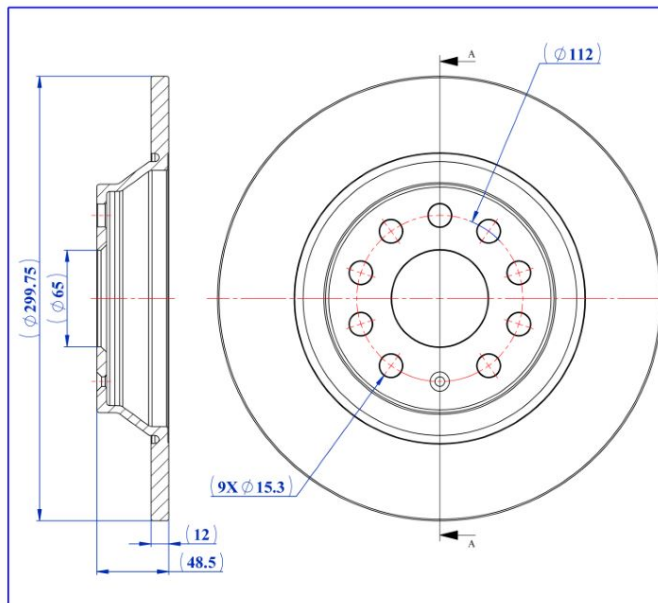


## BRAKE DISC

BRAKE ROTOR

- Rear Axle
- Solid

- Safety
- Performance
- OEM Standarts
- AYD Quality



**AYD**  
AUTOMOTIVE INDUSTRY

AYD NO  
**10-50359**

MATERIAL  
**TYPE-1**

WEIGHT  
**5,23 KG**

BALANCING  
**100 %**



OE:  
3QD615601

**10-50359**

### Technical Specifications:

Diameter (mm)	Height (mm)	Brake Disc Thickness (mm)	Min. Thickness (mm)	Centering Diameter (mm)	Bolt Hole Circle (mm)	Num. of Holes
299.75	48.5	12	10	65	112	9+1

## SKODA

MODEL	START Y.	END Y.
KODIAQ (NS7, NV7)	2016/10	
SUPERB III (3V3)	2015/03	
SUPERB III Station wagon (3V5)	2015/03	



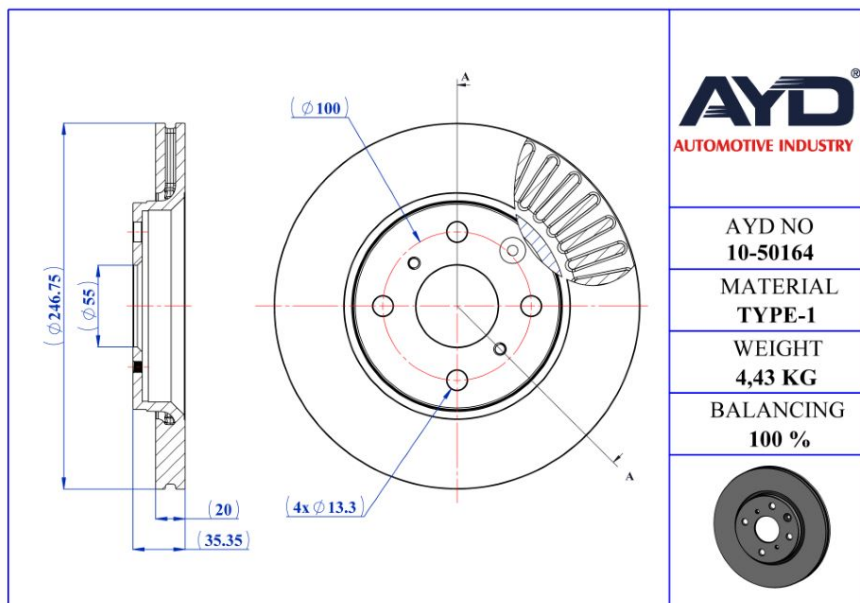
## BRAKE DISC

BRAKE ROTOR

- Front Axle
- Vented

- Safety
- Performance
- OEM Standarts
- AYD Quality

OE:  
435120H010  
435120H020  
435120H040



**AYD**  
AUTOMOTIVE INDUSTRY

AYD NO  
**10-50164**

MATERIAL  
**TYPE-1**

WEIGHT  
**4,43 KG**

BALANCING  
**100 %**



**10-50164**

### Technical Specifications:

Diameter (mm)	Height (mm)	Brake Disc Thickness (mm)	Min. Thickness (mm)	Centering Diameter (mm)	Bolt Hole Circle (mm)	Num. of Holes
246.75	35.35	20	18	55	100	4+2

## TOYOTA

MODEL	START Y.	END Y.
AYGO (_B1_)	2005/02	2014/05
AYGO (_B4_)	2014/05	





## BRAKE DISC

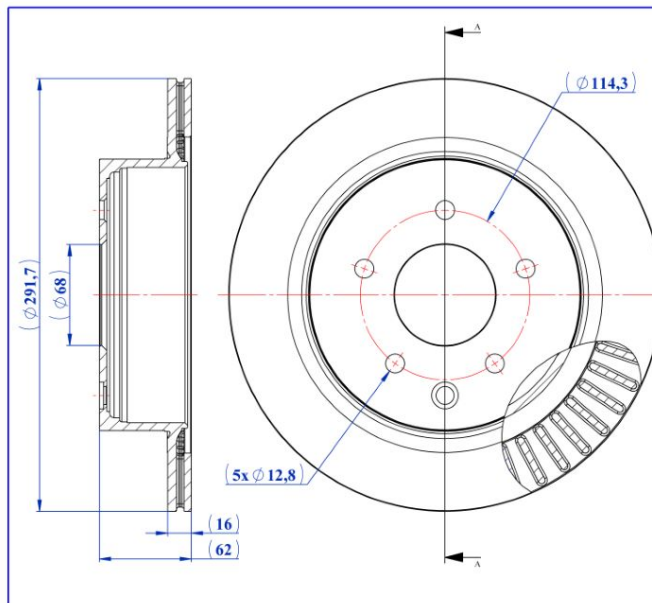
BRAKE ROTOR

- Rear Axle
- Vented

- Safety
- Performance
- OEM Standarts
- AYD Quality

OE:  
4243158020

**10-50245**



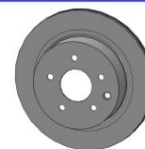
**AYD**  
AUTOMOTIVE INDUSTRY

AYD NO  
**10-50245**

MATERIAL  
**TYPE-1**

WEIGHT  
**5,33 KG**

BALANCING  
**100 %**



### Technical Specifications:

Diameter (mm)	Height (mm)	Brake Disc Thickness (mm)	Min. Thickness (mm)	Centering Diameter (mm)	Bolt Hole Circle (mm)	Num. of Holes
291.7	62	16	14	68	114.3	5+1

## TOYOTA

MODEL	START Y.	END Y.
ALPHARD / VELLFIRE (_H2_)	2008/04	2015/12



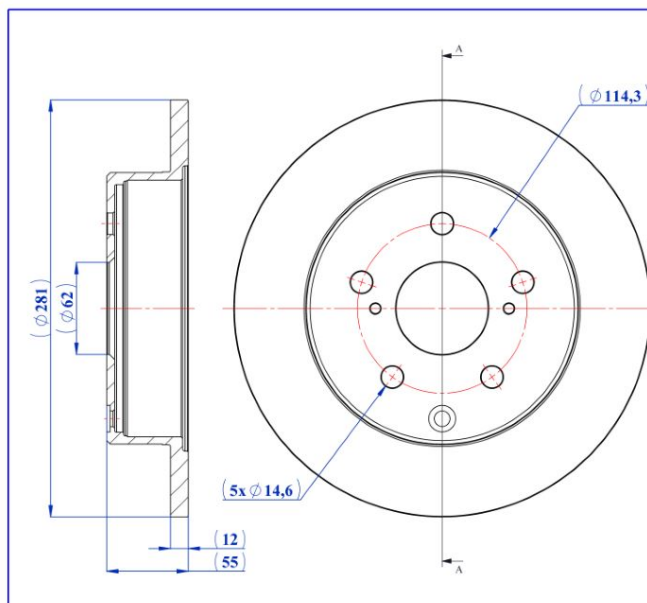
## BRAKE DISC

BRAKE ROTOR

- Rear Axle
- Solid

- Safety
- Performance
- OEM Standarts
- AYD Quality

OE:  
4243142060  
424310R010



**AYD**  
AUTOMOTIVE INDUSTRY

AYD NO  
**10-50480**

MATERIAL  
**TYPE-1**

WEIGHT  
**4,85 KG**

BALANCING  
**100 %**



**10-50480**

### Technical Specifications:

Diameter (mm)	Height (mm)	Brake Disc Thickness (mm)	Min. Thickness (mm)	Centering Diameter (mm)	Bolt Hole Circle (mm)	Num. of Holes
281	55	12	10.5	62	114.3	5+3

## TOYOTA

MODEL	START Y.	END Y.
RAV 4 III (_A3_)	2005/06	2014/08
RAV 4 IV (_A4_)	2012/12	



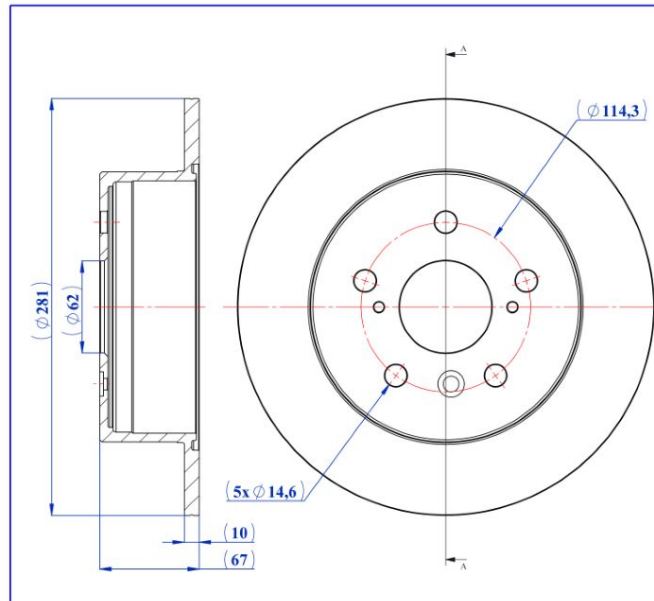
## BRAKE DISC

BRAKE ROTOR

- Rear Axle
- Solid

- Safety
- Performance
- OEM Standarts
- AYD Quality

OE:  
4243106110  
4243106160  
4243133130



**AYD**  
AUTOMOTIVE INDUSTRY

AYD NO  
**10-50562**

MATERIAL  
**TYPE-1**

WEIGHT  
**4,87 KG**

BALANCING  
**100 %**



**10-50562**

### Technical Specifications:

Diameter (mm)	Height (mm)	Brake Disc Thickness (mm)	Min. Thickness (mm)	Centering Diameter (mm)	Bolt Hole Circle (mm)	Num. of Holes
281	67	10	8.5	62	114.3	5+3

## TOYOTA

MODEL	START Y.	END Y.
CAMRY Sedan (_V4_)	2006/01	2014/12

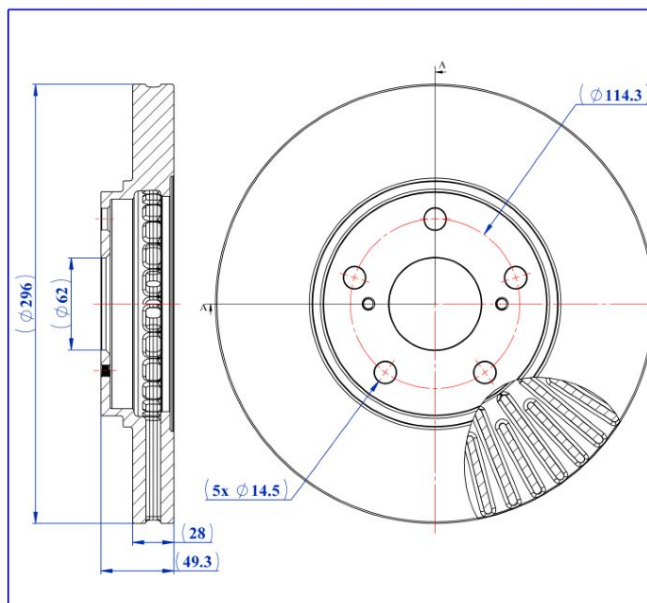


## BRAKE DISC

BRAKE ROTOR

- Front Axle
- Vented

- Safety
- Performance
- OEM Standarts
- AYD Quality



**AYD**  
AUTOMOTIVE INDUSTRY

AYD NO  
**10-50584**

MATERIAL  
**TYPE-1**

WEIGHT  
**8,90 KG**

BALANCING  
**100 %**



OE:  
4351248031

**10-50584**

### Technical Specifications:

Diameter (mm)	Height (mm)	Brake Disc Thickness (mm)	Min. Thickness (mm)	Centering Diameter (mm)	Bolt Hole Circle (mm)	Num. of Holes
296	49.3	28	26	62	114.3	5+2

## TOYOTA

MODEL	START Y.	END Y.
CAMRY Sedan (_V3_)	2001/08	2006/11

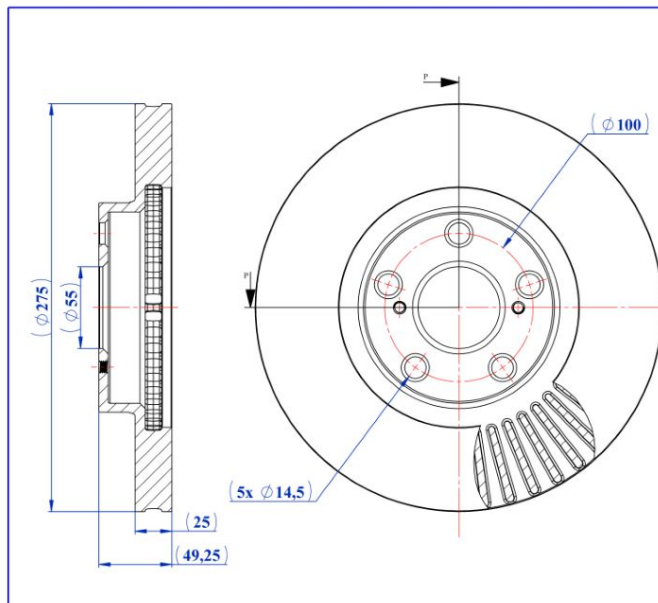


## BRAKE DISC

BRAKE ROTOR

- Front Axle
- Vented

- Safety
- Performance
- OEM Standarts
- AYD Quality



AYD NO  
**10-50585**

MATERIAL  
**TYPE-1**

WEIGHT  
**6,20 KG**

BALANCING  
**100 %**



OE:  
4351220711

**10-50585**

### Technical Specifications:

Diameter (mm)	Height (mm)	Brake Disc Thickness (mm)	Min. Thickness (mm)	Centering Diameter (mm)	Bolt Hole Circle (mm)	Num. of Holes
275	49.25	25	23	55	100	5+2

## TOYOTA

MODEL	START Y.	END Y.
CELICA Coupe (_T23_)	1999/08	2006/03



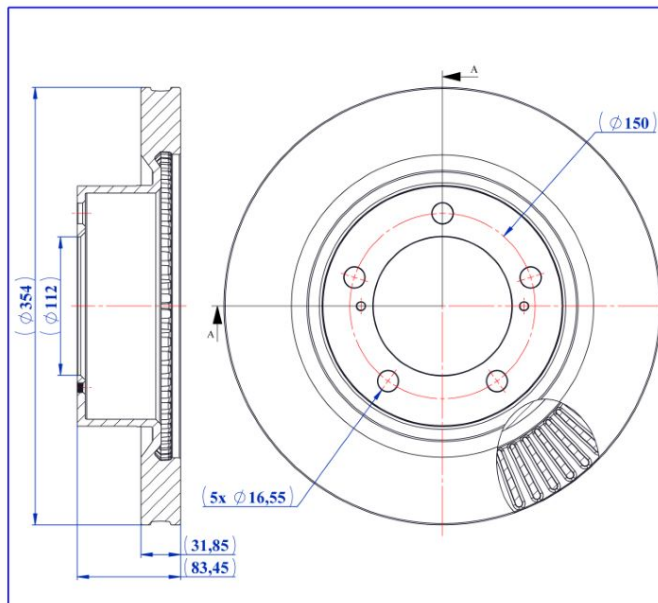
## BRAKE DISC

BRAKE ROTOR

- Front Axle
- Vented

- Safety
- Performance
- OEM Standarts
- AYD Quality

OE:  
435120C020  
4351260210



**AYD**  
AUTOMOTIVE INDUSTRY

AYD NO  
**10-50596**

MATERIAL  
**TYPE-1**

WEIGHT  
**11,15 KG**

BALANCING  
**100 %**



**10-50596**

### Technical Specifications:

Diameter (mm)	Height (mm)	Brake Disc Thickness (mm)	Min. Thickness (mm)	Centering Diameter (mm)	Bolt Hole Circle (mm)	Num. of Holes
354	83.45	31.85	29	112	150	5+2

## TOYOTA

MODEL	START Y.	END Y.
LAND CRUISER 200 (_J2_)	2007/08	
SEQUOIA (_K6_)	2007/11	
TUNDRA Pick-up (_K5_, _K6_)	2006/11	

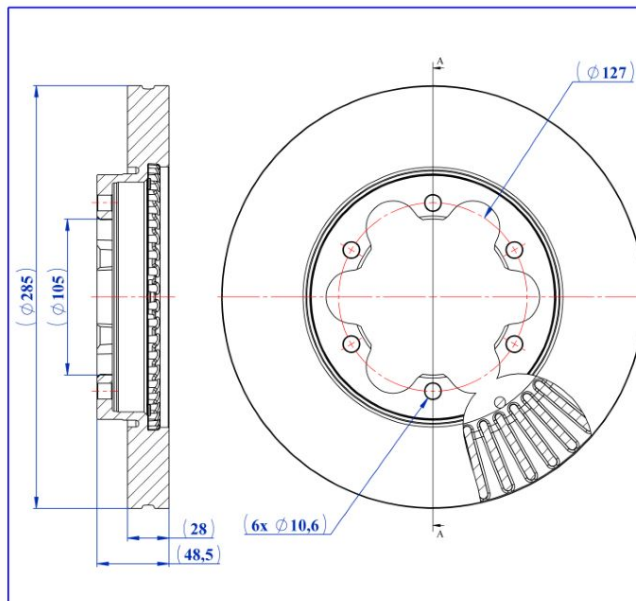


## BRAKE DISC

BRAKE ROTOR

- Front Axle
- Vented

- Safety
- Performance
- OEM Standarts
- AYD Quality



**AYD**  
AUTOMOTIVE INDUSTRY

AYD NO  
**10-50626**

MATERIAL  
**TYPE-1**

WEIGHT  
**7,78 KG**

BALANCING  
**100 %**



OE:  
4351226190

**10-50626**

### Technical Specifications:

Diameter (mm)	Height (mm)	Brake Disc Thickness (mm)	Min. Thickness (mm)	Centering Diameter (mm)	Bolt Hole Circle (mm)	Num. of Holes
285	48.5	28	26	105	127	6

## TOYOTA

MODEL	START Y.	END Y.
HIACE / COMMUTER V Minibus/Bus (TRH2___, KDH2___, LH2___)	2004/08	2019/05
HIACE IV Panelvan/Van (___H1___, ___H2___)	1995/08	2012/12
HIACE V Panelvan/Van (TRH2___, KDH2___, LH2___)	2004/06	2019/05



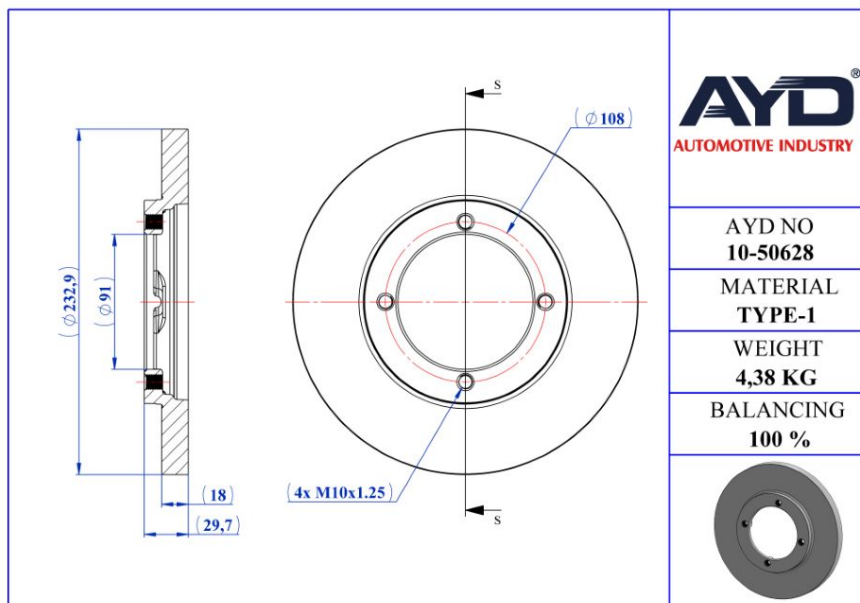
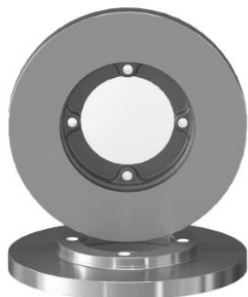
## BRAKE DISC

BRAKE ROTOR

- Front Axle
- Solid

- Safety
- Performance
- OEM Standarts
- AYD Quality

OE:  
43512BZ190  
43512BZ180  
43512BZ020



**AYD**  
AUTOMOTIVE INDUSTRY

AYD NO  
**10-50628**

MATERIAL  
**TYPE-1**

WEIGHT  
**4,38 KG**

BALANCING  
**100 %**



**10-50628**

### Technical Specifications:

Diameter (mm)	Height (mm)	Brake Disc Thickness (mm)	Min. Thickness (mm)	Centering Diameter (mm)	Bolt Hole Circle (mm)	Num. of Holes
232.9	29.7	18	17	91	108	4

## TOYOTA

MODEL	START Y.	END Y.
AVANZA (F60_)	2002/09	2011/12



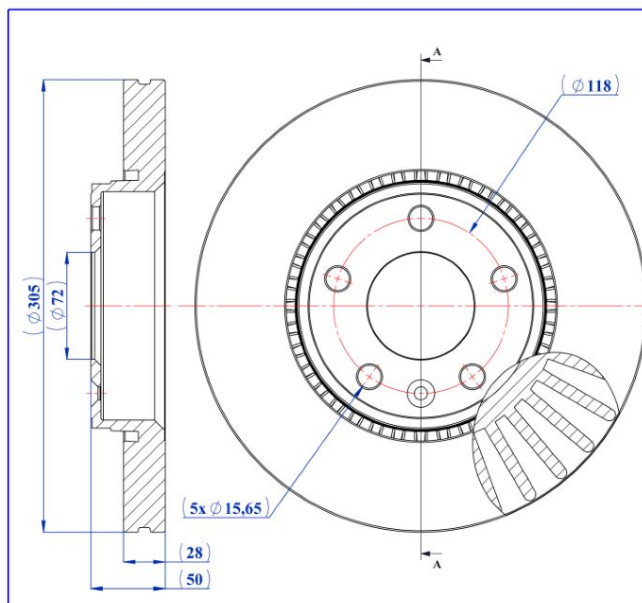


## BRAKE DISC

BRAKE ROTOR

- Front Axle
- Vented

- Safety
- Performance
- OEM Standarts
- AYD Quality



**AYD**  
AUTOMOTIVE INDUSTRY

AYD NO  
**10-50182**

MATERIAL  
**TYPE-1**

WEIGHT  
**9,62 KG**

BALANCING  
**100 %**



OE:  
91159915

**10-50182**

### Technical Specifications:

Diameter (mm)	Height (mm)	Brake Disc Thickness (mm)	Min. Thickness (mm)	Centering Diameter (mm)	Bolt Hole Circle (mm)	Num. of Holes
305	50	28	24	72	118	5+1

## VAUXHALL

MODEL	START Y.	END Y.
VIVARO A Minibus/Bus (X83)	2001/08	2014/07
VIVARO A Panelvan/Van (X83)	2001/08	2014/07
VIVARO A Platform (X83)	2003/04	2014/07



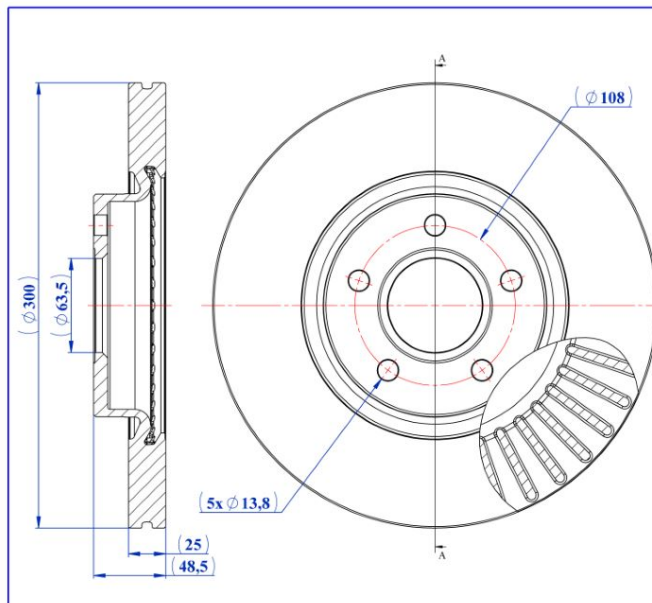
## BRAKE DISC

BRAKE ROTOR

- Front Axle
- Vented

- Safety
- Performance
- OEM Standarts
- AYD Quality

OE:  
274510  
31262719  
31362412



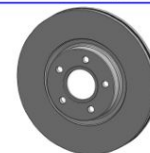
**AYD**  
AUTOMOTIVE INDUSTRY

AYD NO  
**10-50185**

MATERIAL  
**TYPE-1**

WEIGHT  
**8,28 KG**

BALANCING  
**100 %**



**10-50185**

### Technical Specifications:

Diameter (mm)	Height (mm)	Brake Disc Thickness (mm)	Min. Thickness (mm)	Centering Diameter (mm)	Bolt Hole Circle (mm)	Num. of Holes
300	48.5	25	23	63.5	108	5

## VOLVO

MODEL	START Y.	END Y.
C30 (533)	2006/09	2013/12
C70 II Cabrio (542)	2006/03	2013/12
S40 II (544)	2003/12	2012/12
V50 (545)	2003/12	2012/12

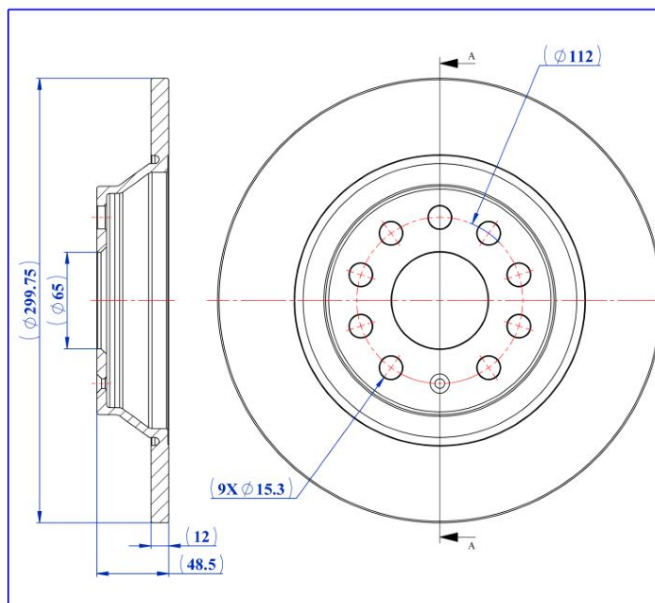


## BRAKE DISC

BRAKE ROTOR

- Rear Axle
- Solid

- Safety
- Performance
- OEM Standarts
- AYD Quality



**AYD**  
AUTOMOTIVE INDUSTRY

AYD NO  
**10-50359**

MATERIAL  
**TYPE-1**

WEIGHT  
**5,23 KG**

BALANCING  
**100 %**



OE:  
3Q0615601A

**10-50359**

### Technical Specifications:

Diameter (mm)	Height (mm)	Brake Disc Thickness (mm)	Min. Thickness (mm)	Centering Diameter (mm)	Bolt Hole Circle (mm)	Num. of Holes
299.75	48.5	12	10	65	112	9+1

## VW

MODEL	START Y.	END Y.
CADDY V (SBA, SBH)	2020/09	
CADDY V MPV (SBB, SBJ)	2020/09	



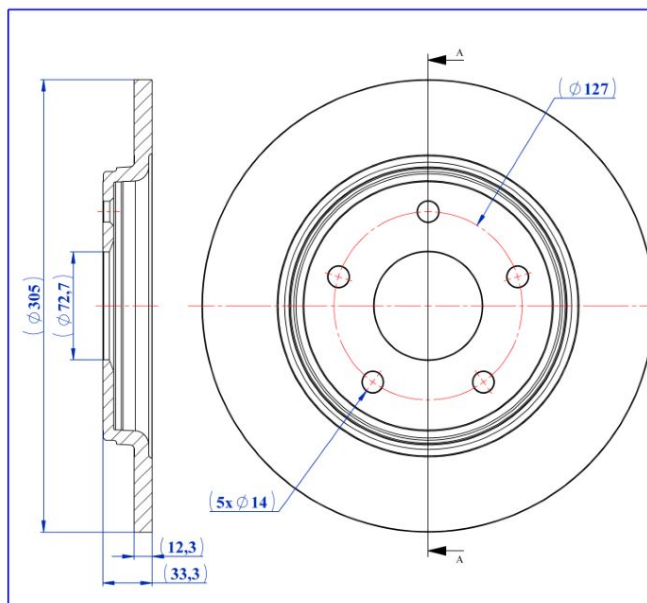
## BRAKE DISC

BRAKE ROTOR

- Rear Axle
- Solid

- Safety
- Performance
- OEM Standarts
- AYD Quality

OE:  
7B0615601A  
7B0615601B



**AYD**  
AUTOMOTIVE INDUSTRY

AYD NO  
**10-50560**

MATERIAL  
**TYPE-1**

WEIGHT  
**5,84 KG**

BALANCING  
**100 %**



**10-50560**

### Technical Specifications:

Diameter (mm)	Height (mm)	Brake Disc Thickness (mm)	Min. Thickness (mm)	Centering Diameter (mm)	Bolt Hole Circle (mm)	Num. of Holes
305	33.3	12.3	10.4	72.7	127	5

**VW**

MODEL	START Y.	END Y.
ROUTAN	2008/09	2013/12

