

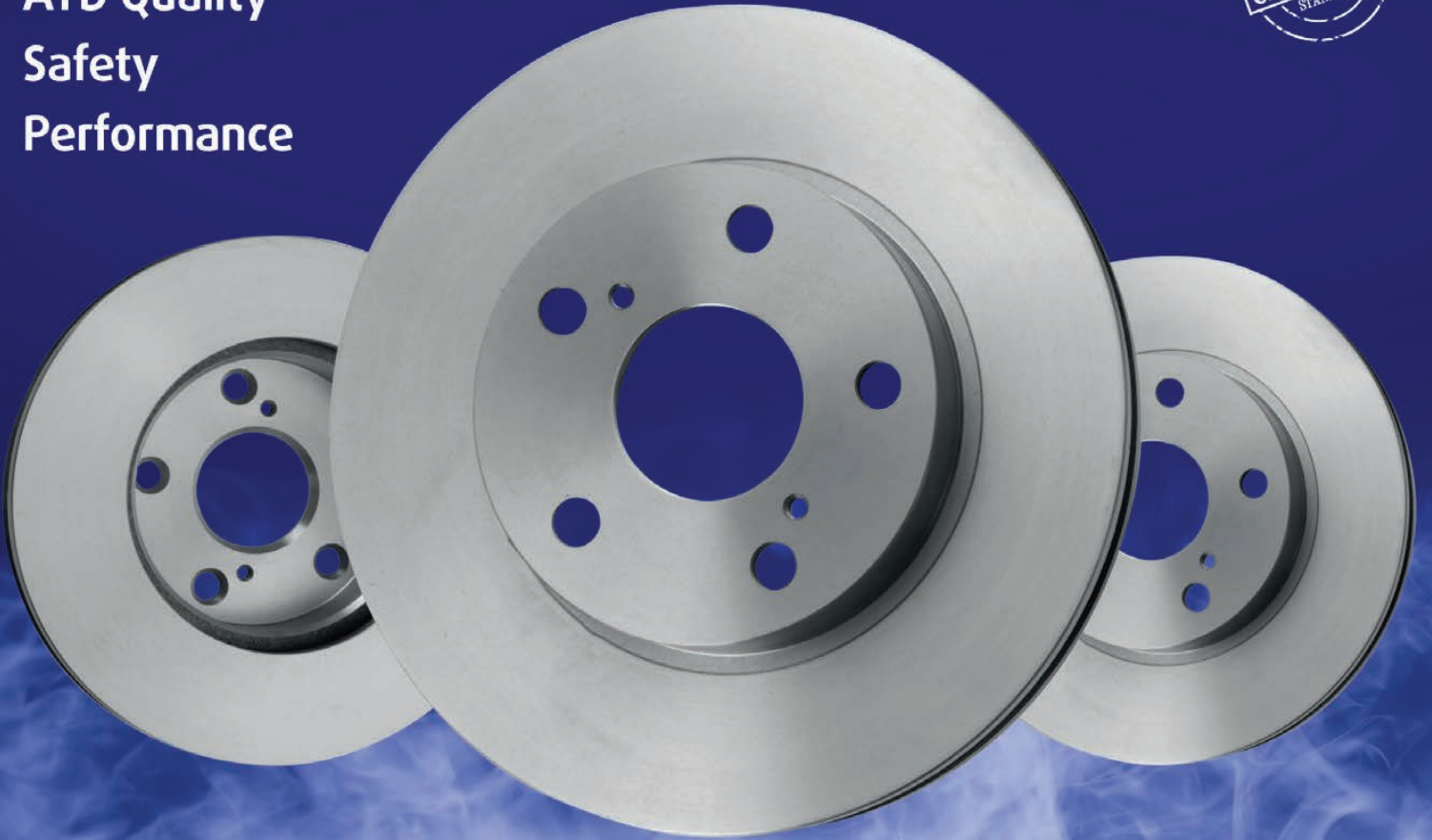
new to range

AYD[®]
AUTOMOTIVE INDUSTRY

THANKS TO AYD POWER AND ALL UNDER ONE ROOF STRATEGY

BRAKING NEW GROUND

OEM Standards
AYD Quality
Safety
Performance



www.aydtr.com



DECEMBER 2021

INDEX

ALFA ROMEO	3-4
AUDI	5
BMW	6-7
CHEVROLET	8-9
CITROEN	10-12
DAEWOO	13
FIAT	14-18
FORD	19-23
HONDA	24-26
HYUNDAI	27-34
ISUZU	35
KIA	36-38
LANCIA	39-40
MERCEDES BENZ	41
MINI	42
MITSUBISHI	43
NISSAN	44
OPEL	45-51
PEUGEOT	52-54
RENAULT	55-58
SAAB	59
SEAT	60
SKODA	61
TOYOTA	62-66
VAUXHALL	67-70
VOLVO	71-72
VOLKSWAGEN	73-77
ZAZ	78

BRAKE DISC

FREN DISK

- Front Axle
- Vented

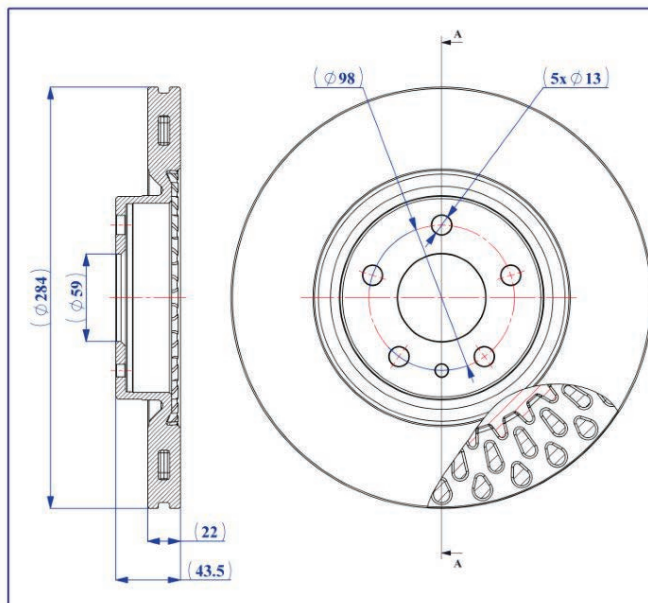
- OEM Standarts
- AYD Quality
- Safety
- Performance

OE:

60551775

60699518

60815938



AYD
AUTOMOTIVE INDUSTRY

AYD NO
10-50227

MATERIAL
TYPE-1

WEIGHT
6.27 KG

BALANCING
100 %



10-50227

Technical Specifications:

Diameter (mm)	Height (mm)	Brake Disc Thickness (mm)	Min. Thickness (mm)	Centering Diameter (mm)	Bolt Hole Circle (mm)	Num. of Holes
284	43.5	22	20.2	59	98	5+1

ALFA ROMEO

MODEL	START Y.	END Y.
147 (937_)	2000/10	2010/12
156 (932_)	1997/09	2005/10
156 Sportwagon (932_)	1997/02	2006/05
164 (164_)	1987/01	1998/10
GT (937_)	2003/11	2010/09



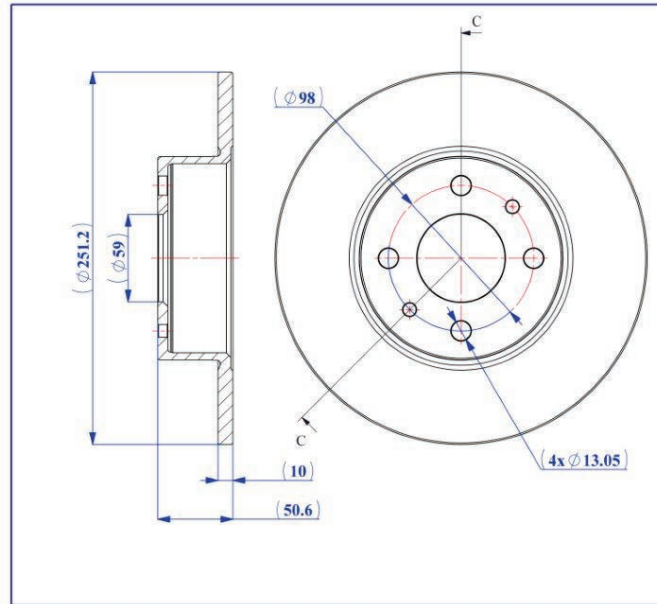
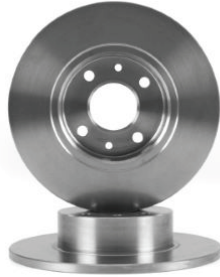
BRAKE DISC

FREN DISK

- Rear Axle
- Solid

- OEM Standarts
- AYD Quality
- Safety
- Performance

OE:
82433859
16420261000
82434070



AYD
AUTOMOTIVE INDUSTRY

AYD NO
10-50320

MATERIAL
TYPE-1

WEIGHT
3.55 KG

BALANCING
100 %



10-50320

Technical Specifications:

Diameter (mm)	Height (mm)	Brake Disc Thickness (mm)	Min. Thickness (mm)	Centering Diameter (mm)	Bolt Hole Circle (mm)	Num. of Holes
251.2	50.6	10	8	59	98	4+2

ALFA ROMEO

MODEL	START Y.	END Y.
164 (164_)	1987/01	1998/10



BRAKE DISC

FREN DISK

- Front Axle
- Vented

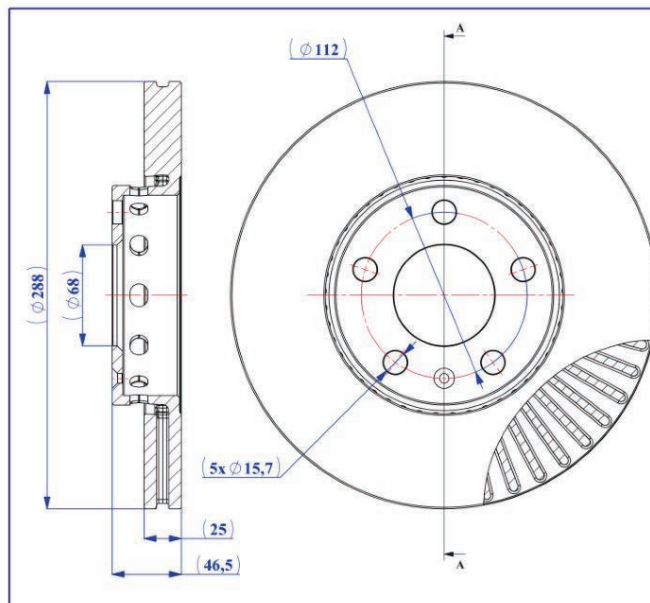
- OEM Standarts
- AYD Quality
- Safety
- Performance

OE:

8E0615301Q

4A0615301D

4A0615301E



AYD
AUTOMOTIVE INDUSTRY

AYD NO
10-50187

MATERIAL
TYPE-1

WEIGHT
7.59 KG

BALANCING
100 %



10-50187

Technical Specifications:

Diameter (mm)	Height (mm)	Brake Disc Thickness (mm)	Min. Thickness (mm)	Centering Diameter (mm)	Bolt Hole Circle (mm)	Num. of Holes
288	46.5	25	23	68	112	5+1

AUDI

MODEL	START Y.	END Y.
100 C4 Avant (4A5)	1990/12	1994/11
100 C4 Sedan (4A2)	1990/12	1994/07
A4 B5 (8D2)	1994/11	2001/12
A4 B5 Avant (8D5)	1994/11	2002/12
A4 B6 (8E2)	2000/11	2005/12
A4 B6 Avant (8E5)	2000/02	2005/12
A4 B6 Cabrio (8H7)	2002/01	2009/12
A4 B7 (8EC)	2004/11	2008/06
A4 B7 Avant (8ED)	2004/11	2008/06
A6 C4 (4A2)	1994/06	1997/10
A6 C4 Avant (4A5)	1994/06	1997/12



BRAKE DISC

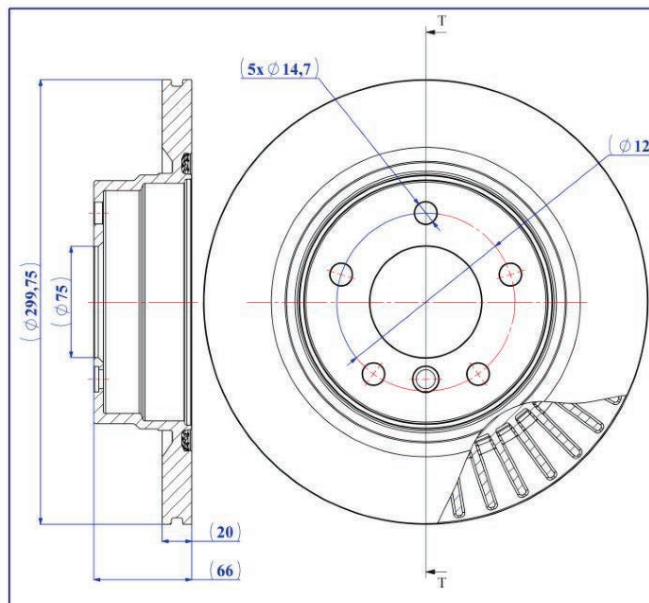
FREN DISK

- Rear Axle
- Vented

- OEM Standarts
- AYD Quality
- Safety
- Performance

OE:

34216855007
34216792227
34216764651



AYD
AUTOMOTIVE INDUSTRY

AYD NO
10-50217

MATERIAL
TYPE-1

WEIGHT
6.35 KG

BALANCING
100 %



10-50217

Technical Specifications:

Diameter (mm)	Height (mm)	Brake Disc Thickness (mm)	Min. Thickness (mm)	Centering Diameter (mm)	Bolt Hole Circle (mm)	Num. of Holes
299.75	66	20	18.4	75	120	5+1

BMW

MODEL	START Y.	END Y.
1 (E81)	2006/09	2012/09
1 (E87)	2003/02	2013/01
1 (F20)	2011/07	2019/06
1 (F21)	2011/12	
1 Cabrio (E88)	2007/12	2013/12
2 Cabrio (F23)	2014/03	
2 Coupe (F22, F87)	2012/10	
3 (E90)	2004/02	2012/02
3 (F30, F80)	2011/11	2018/10
3 Cabrio (E93)	2006/05	2013/12
3 Coupe (E92)	2005/01	2013/12



BRAKE DISC

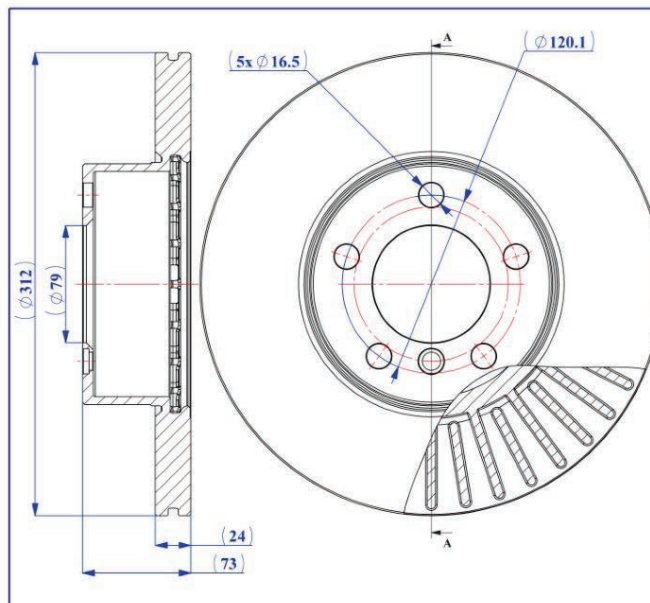
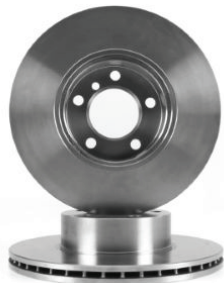
FREN DISK

- Front Axle
- Vented

- OEM Standarts
- AYD Quality
- Safety
- Performance

OE:

34116792219
34116774875
34116855006



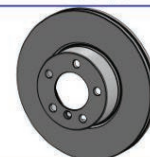
AYD
AUTOMOTIVE INDUSTRY

AYD NO
10-50248

MATERIAL
TYPE-1

WEIGHT
8.85 KG

BALANCING
100 %



10-50248

Technical Specifications:

Diameter (mm)	Height (mm)	Brake Disc Thickness (mm)	Min. Thickness (mm)	Centering Diameter (mm)	Bolt Hole Circle (mm)	Num. of Holes
312	73	24	22.4	79	120.1	5+1

BMW

MODEL	START Y.	END Y.
1 (F20)	2011/07	2019/06
1 (F21)	2011/12	
2 Cabrio (F23)	2014/03	
2 Coupe (F22, F87)	2012/10	
3 (E90)	2004/02	2012/02
3 (F30, F80)	2011/11	2018/10
3 Cabrio (E93)	2006/05	2013/12
3 Coupe (E92)	2005/01	2013/12
3 Gran Turismo (F34)	2012/07	
3 Touring (E91)	2004/12	2012/12
3 Touring (F31)	2012/07	2019/06



BRAKE DISC

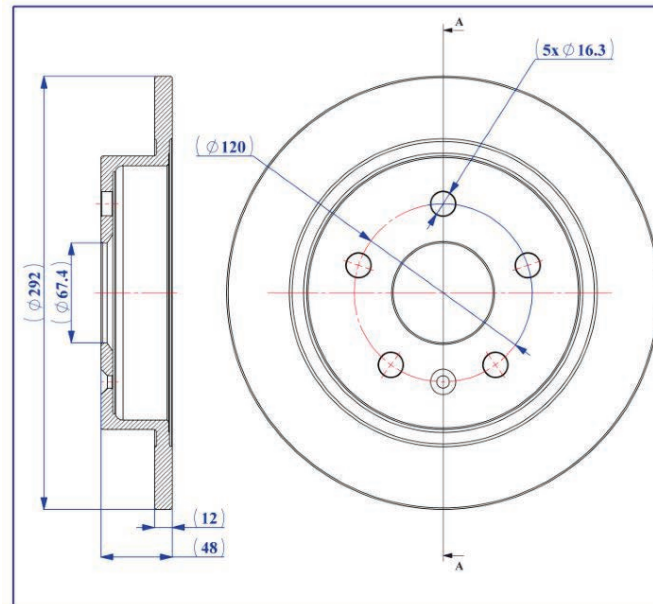
FREN DISK

- Rear Axle
- Solid

- OEM Standarts
- AYD Quality
- Safety
- Performance

OE:
13501313

10-50222



AYD
AUTOMOTIVE INDUSTRY

AYD NO
10-50222

MATERIAL
TYPE-1

WEIGHT
5.54 KG

BALANCING
100 %



Technical Specifications:

Diameter (mm)	Height (mm)	Brake Disc Thickness (mm)	Min. Thickness (mm)	Centering Diameter (mm)	Bolt Hole Circle (mm)	Num. of Holes
292	48	12	10.5	67.4	120	5+1

CHEVROLET

MODEL	START Y.	END Y.
MALIBU (V300)	2012/01	



BRAKE DISC

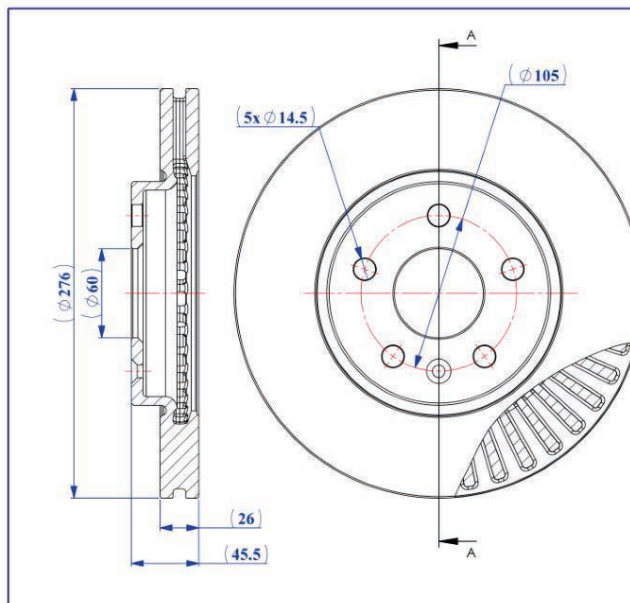
FREN DISK

- Front Axle
- Vented

- OEM Standarts
- AYD Quality
- Safety
- Performance

OE:
23118274

10-50236



AYD
AUTOMOTIVE INDUSTRY

AYD NO
10-50236

MATERIAL
TYPE-1

WEIGHT
6.90 KG

BALANCING
100 %



Technical Specifications:

Diameter (mm)	Height (mm)	Brake Disc Thickness (mm)	Min. Thickness (mm)	Centering Diameter (mm)	Bolt Hole Circle (mm)	Num. of Holes
276	45.5	26	23	60	105	5+1

CHEVROLET

MODEL	START Y.	END Y.
AVEO Hatchback (T300)	2011/03	
AVEO Sedan (T300)	2011/03	
CRUZE (J300)	2009/05	
CRUZE Hatchback (J305)	2010/12	
CRUZE Station Wagon (J308)	2012/08	



BRAKE DISC

FREN DISK

- Front Axle
- Solid

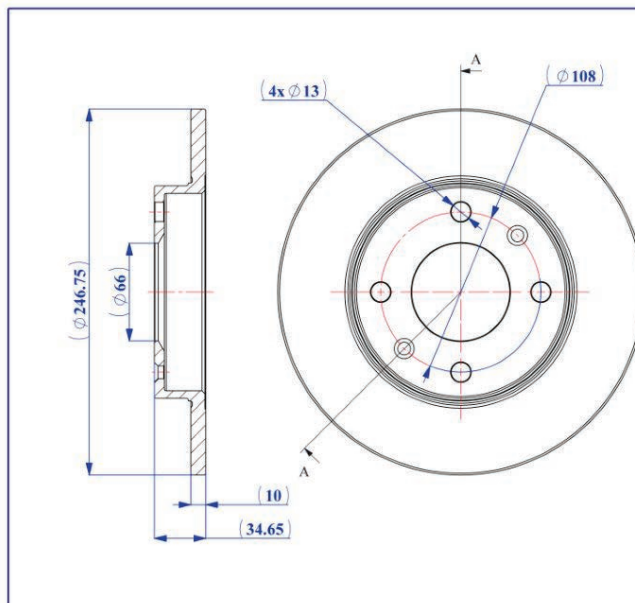
- OEM Standarts
- AYD Quality
- Safety
- Performance

OE:

4246A5

91508338

95661748



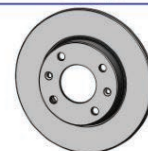
AYD
AUTOMOTIVE INDUSTRY

AYD NO
10-50269

MATERIAL
TYPE-1

WEIGHT
3.29 KG

BALANCING
100 %



10-50269

Technical Specifications:

Diameter (mm)	Height (mm)	Brake Disc Thickness (mm)	Min. Thickness (mm)	Centering Diameter (mm)	Bolt Hole Circle (mm)	Num. of Holes
246.75	34.65	10	9	66	108	4+2

CITROËN

MODEL	START Y.	END Y.
C15 (VD_)	1984/10	2006/10
SAXO (S0, S1)	1996/02	2004/04
VISA	1978/09	1991/03
ZX (N2)	1991/03	1999/07
ZX Break (N2)	1993/10	1999/07



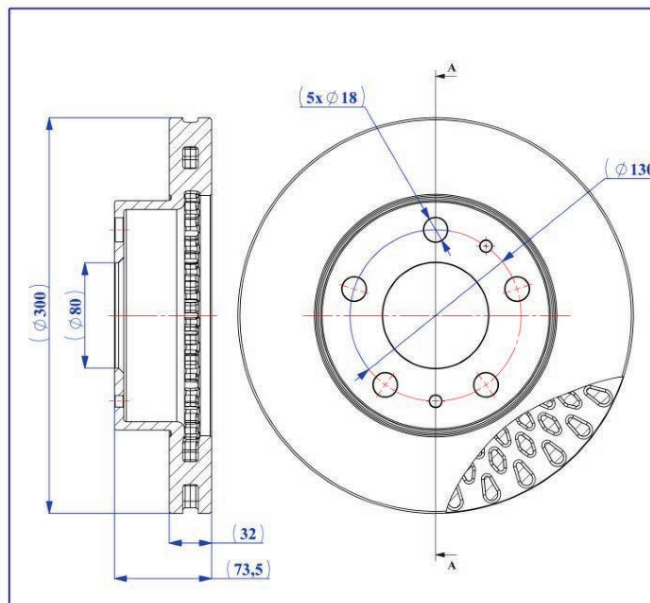
BRAKE DISC

FREN DISK

- Front Axle
- Vented

- OEM Standarts
- AYD Quality
- Safety
- Performance

OE:
1607872380
4249A6
424938



AYD
AUTOMOTIVE INDUSTRY

AYD NO
10-50327

MATERIAL
TYPE-1

WEIGHT
9.56 KG

BALANCING
100 %



10-50327

Technical Specifications:

Diameter (mm)	Height (mm)	Brake Disc Thickness (mm)	Min. Thickness (mm)	Centering Diameter (mm)	Bolt Hole Circle (mm)	Num. of Holes
300	73.5	32	29.9	80	130	5+2

CITROËN

MODEL	START Y.	END Y.
JUMPER Minibus/Bus	2006/04	
JUMPER Panelvan/Van	2006/04	
JUMPER Platform	2006/04	



BRAKE DISC

FREN DISK

- Rear Axle
- Solid

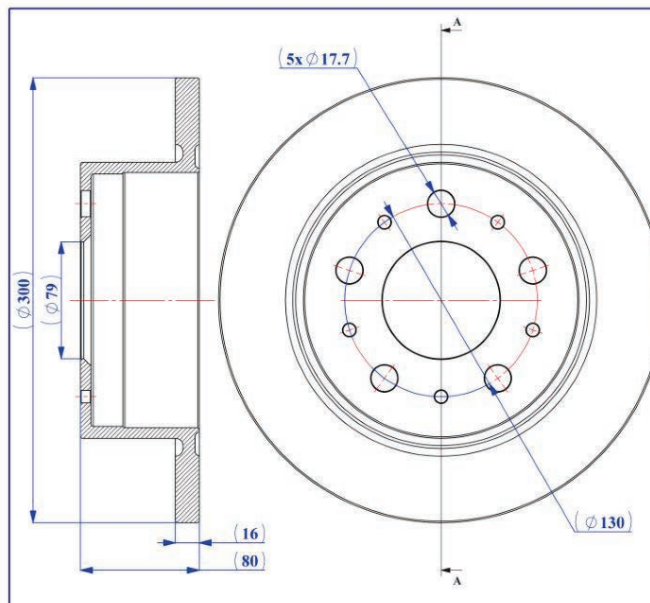
- OEM Standarts
- AYD Quality
- Safety
- Performance

OE:

424941

424942

4249K6



AYD
AUTOMOTIVE INDUSTRY

AYD NO
10-50521

MATERIAL
TYPE-1

WEIGHT
7.86 KG

BALANCING
100 %



10-50521

Technical Specifications:

Diameter (mm)	Height (mm)	Brake Disc Thickness (mm)	Min. Thickness (mm)	Centering Diameter (mm)	Bolt Hole Circle (mm)	Num. of Holes
300	80	16	14.2	79	130	5+5

CITROËN

MODEL	START Y.	END Y.
JUMPER Minibus/Bus	2006/04	
JUMPER Panelvan/Van	2006/04	
JUMPER Platform	2006/04	

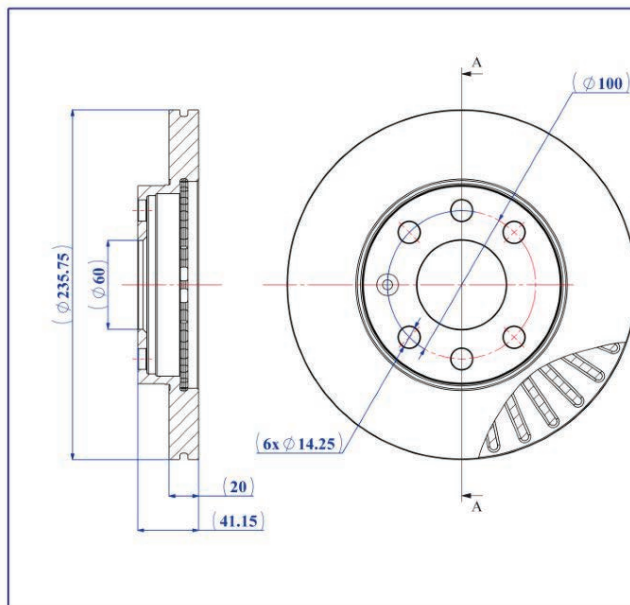


BRAKE DISC

FREN DISK

- Front Axle
- Vented

- OEM Standarts
- AYD Quality
- Safety
- Performance



AYD
AUTOMOTIVE INDUSTRY

AYD NO
10-50233

MATERIAL
TYPE-1

WEIGHT
4.11 KG

BALANCING
100 %



OE:
96215669

10-50233

Technical Specifications:

Diameter (mm)	Height (mm)	Brake Disc Thickness (mm)	Min. Thickness (mm)	Centering Diameter (mm)	Bolt Hole Circle (mm)	Num. of Holes
235.75	41.15	20	17	60	100	6+1

DAEWOO

MODEL	START Y.	END Y.
LANOS (KLAT)	1997/04	
LANOS Sedan (KLAT)	1997/02	
NEXIA	1995/02	1997/08
NEXIA Sedan	1995/02	2008/06



BRAKE DISC

FREN DISK

- Rear Axle
- Solid

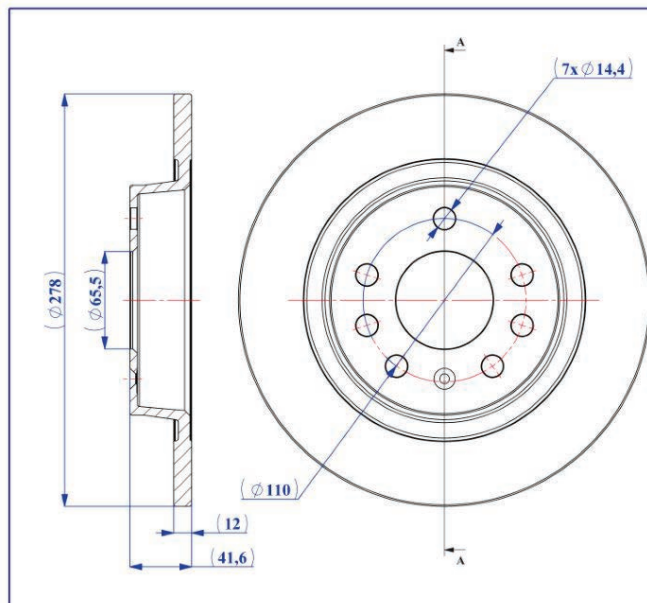
- OEM Standarts
- AYD Quality
- Safety
- Performance

OE:

93171848

51799236

9156787



AYD
AUTOMOTIVE INDUSTRY

AYD NO
10-50186

MATERIAL
TYPE-1

WEIGHT
4.52 KG

BALANCING
100 %



10-50186

Technical Specifications:

Diameter (mm)	Height (mm)	Brake Disc Thickness (mm)	Min. Thickness (mm)	Centering Diameter (mm)	Bolt Hole Circle (mm)	Num. of Holes
278	41.6	12	10	65.5	110	7+1

FIAT

MODEL	START Y.	END Y.
CROMA (194_)	2005/06	



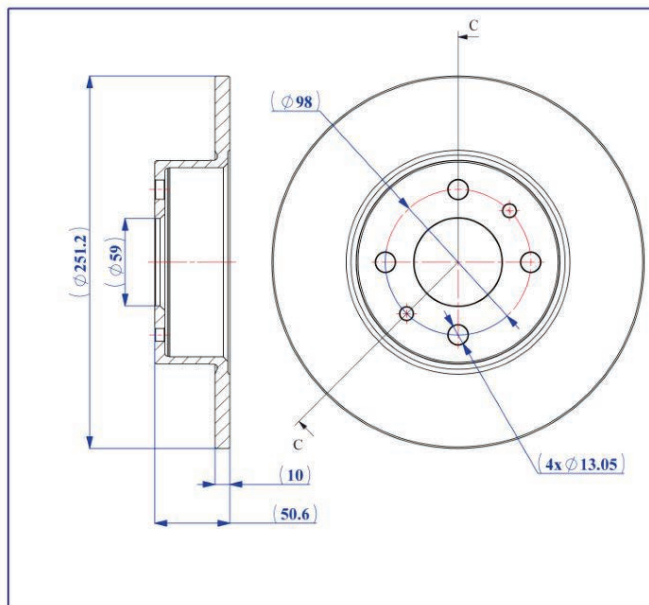
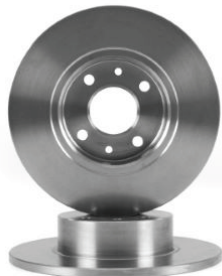
BRAKE DISC

FREN DISK

- Rear Axle
- Solid

- OEM Standarts
- AYD Quality
- Safety
- Performance

OE:
82433859
1642026100
082434070



AYD
AUTOMOTIVE INDUSTRY

AYD NO
10-50320

MATERIAL
TYPE-1

WEIGHT
3.55 KG

BALANCING
100 %



10-50320

Technical Specifications:

Diameter (mm)	Height (mm)	Brake Disc Thickness (mm)	Min. Thickness (mm)	Centering Diameter (mm)	Bolt Hole Circle (mm)	Num. of Holes
251.2	50.6	10	8	59	98	4+2

FIAT

MODEL	START Y.	END Y.
BRAVO II (198_)	2006/11	
CROMA (154_)	1985/12	1996/12
LINEA (323_, 110_)	2006/10	
MULTIPLA (186_)	1999/04	2010/06
STILO (192_)	2001/10	2010/11
STILO Multi Wagon (192_)	2003/01	2008/08



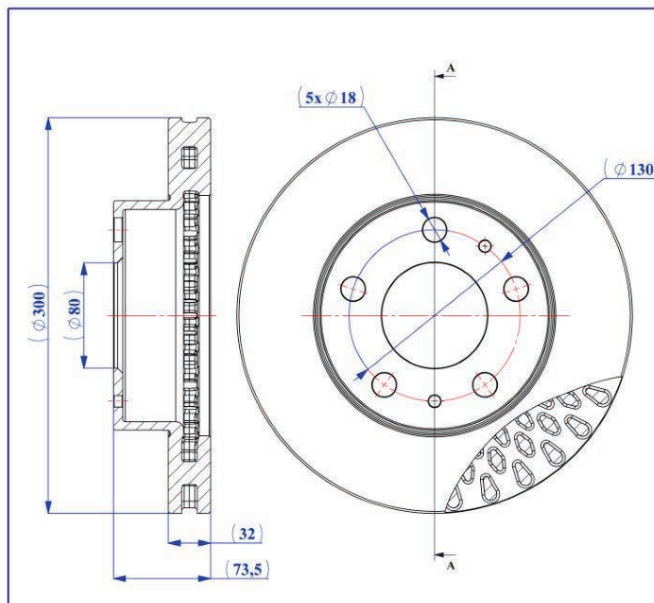
BRAKE DISC

FREN DISK

- Front Axle
- Vented

- OEM Standarts
- AYD Quality
- Safety
- Performance

OE:
51740249
51705758



AYD
AUTOMOTIVE INDUSTRY

AYD NO
10-50327

MATERIAL
TYPE-1

WEIGHT
9.56 KG

BALANCING
100 %



10-50327

Technical Specifications:

Diameter (mm)	Height (mm)	Brake Disc Thickness (mm)	Min. Thickness (mm)	Centering Diameter (mm)	Bolt Hole Circle (mm)	Num. of Holes
300	73.5	32	29.9	80	130	5+2

FIAT

MODEL	START Y.	END Y.
DUCATO Minibus/Bus (250_, 290_)	2006/07	
DUCATO Panelvan/Van (250_, 290_)	2006/07	
DUCATO Platform (250_, 290_)	2006/07	



BRAKE DISC

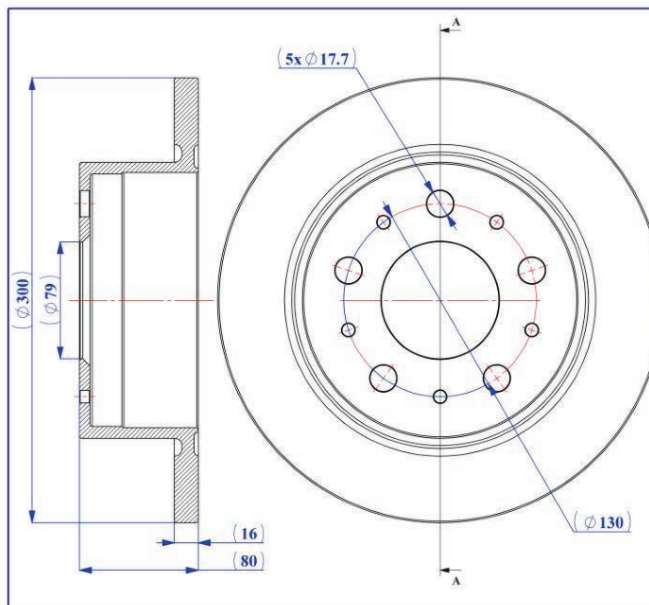
FREN DISK

- Rear Axle
- Solid

- OEM Standarts
- AYD Quality
- Safety
- Performance

OE:
51740250

10-50521



AYD
AUTOMOTIVE INDUSTRY

AYD NO
10-50521

MATERIAL
TYPE-1

WEIGHT
7.86 KG

BALANCING
100 %



Technical Specifications:

Diameter (mm)	Height (mm)	Brake Disc Thickness (mm)	Min. Thickness (mm)	Centering Diameter (mm)	Bolt Hole Circle (mm)	Num. of Holes
300	80	16	14.2	79	130	5+5

FIAT

MODEL	START Y.	END Y.
DUCATO Minibus/Bus (250_, 290_)	2006/07	
DUCATO Panelvan/Van (250_, 290_)	2006/07	
DUCATO Platform (250_, 290_)	2006/07	



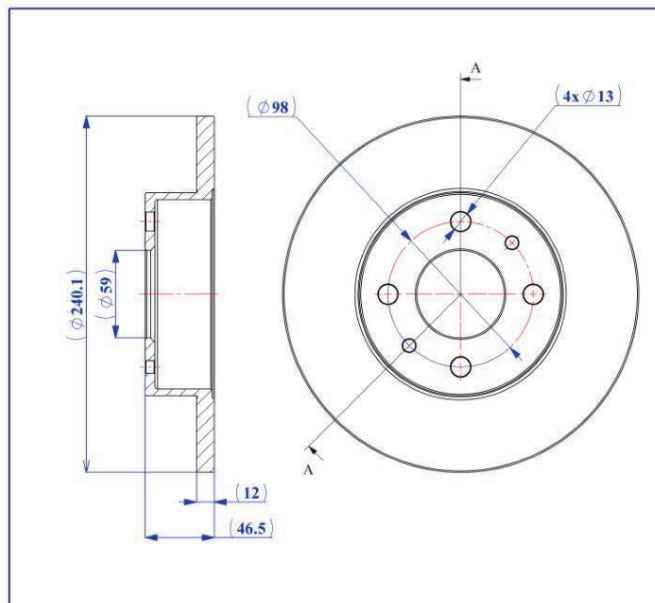
BRAKE DISC

FREN DISK

- Front Axle
- Solid

- OEM Standarts
- AYD Quality
- Safety
- Performance

OE:
5961814
71738423



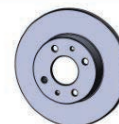
AYD
AUTOMOTIVE INDUSTRY

AYD NO
10-50530

MATERIAL
TYPE-1

WEIGHT
3.51 KG

BALANCING
100 %



10-50530

Technical Specifications:

Diameter (mm)	Height (mm)	Brake Disc Thickness (mm)	Min. Thickness (mm)	Centering Diameter (mm)	Bolt Hole Circle (mm)	Num. of Holes
240.1	46.5	12	10.8	59	98	4+2

FIAT

MODEL	START Y.	END Y.
DUNA (146_)	1987/01	1991/12
DUNA Weekend (146_)	1987/01	2001/10
FIORINO (146_)	1988/01	
FIORINO (147_)	1980/01	1993/10
FIORINO Pick up (146_)	1988/01	2001/05
FIORINO Pick up (147_)	1977/10	1989/10
MILLE (146_)	1988/10	
PALIO (178_)	1996/04	
PANDA (141_)	1980/03	2004/07
PENNY van (257_)	1986/01	1990/12
SIENA (178_, 172_)	1996/04	2016/12



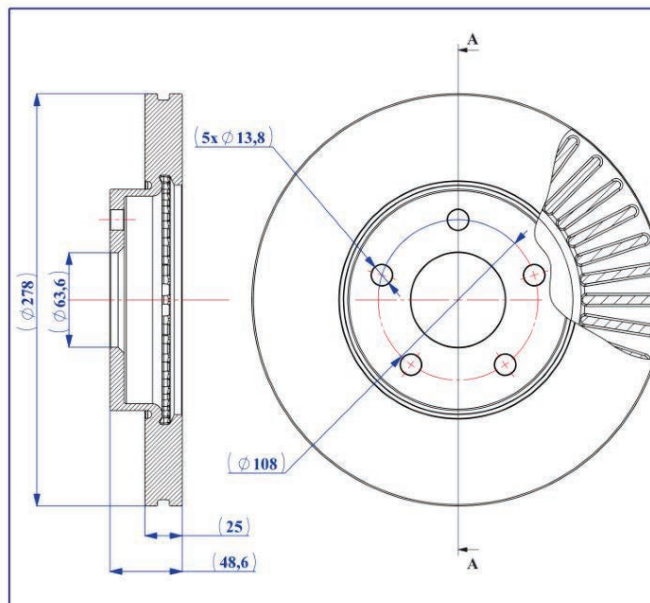
BRAKE DISC

FREN DISK

- Front Axle
- Vented

- OEM Standarts
- AYD Quality
- Safety
- Performance

OE:
1320352
1469082
1253729



AYD
AUTOMOTIVE INDUSTRY

AYD NO
10-50170

MATERIAL
TYPE-1

WEIGHT
7.09 KG

BALANCING
100 %



10-50170

Technical Specifications:

Diameter (mm)	Height (mm)	Brake Disc Thickness (mm)	Min. Thickness (mm)	Centering Diameter (mm)	Bolt Hole Circle (mm)	Num. of Holes
278	48.6	25	23	63.6	108	5

FORD

MODEL	START Y.	END Y.
C-MAX (DM2)	2007/02	2010/09
C-MAX II (DXA/CB7, DXA/CEU)	2010/04	
C-MAX II Van	2010/10	
FOCUS C-MAX (DM2)	2003/10	2007/03
FOCUS II van	2004/07	2011/07
FOCUS II (DA_, HCP, DP)	2004/07	2013/09
FOCUS II Sedan (DB_, FCH, DH)	2005/04	
FOCUS II Turnier (DA_, FFS, DS)	2004/07	2012/09
FOCUS III	2010/07	
FOCUS III	2011/01	
FOCUS III van	2012/02	



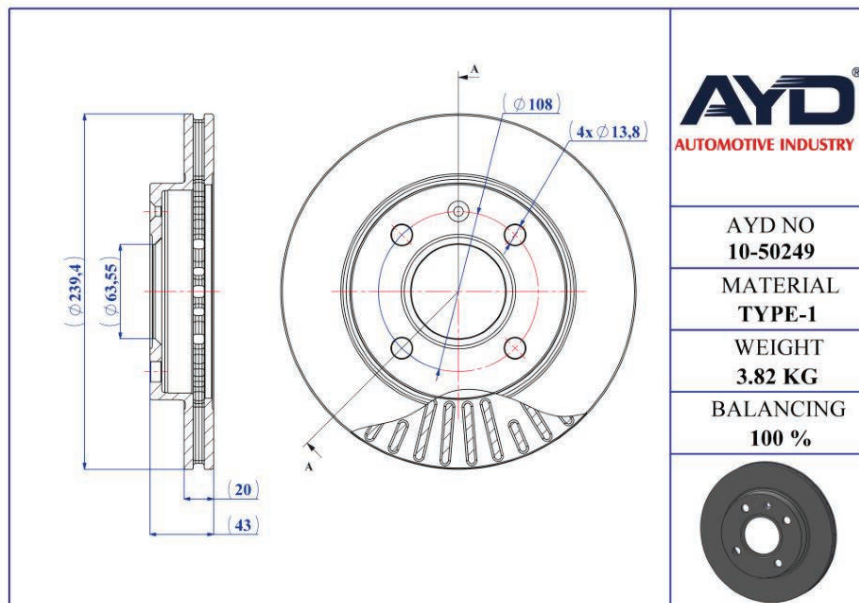
BRAKE DISC

FREN DISK

- Front Axle
- Vented

- OEM Standarts
- AYD Quality
- Safety
- Performance

OE:
4084226
1373289
1320582



AYD
AUTOMOTIVE INDUSTRY

AYD NO
10-50249

MATERIAL
TYPE-1

WEIGHT
3.82 KG

BALANCING
100 %



10-50249

Technical Specifications:

Diameter (mm)	Height (mm)	Brake Disc Thickness (mm)	Min. Thickness (mm)	Centering Diameter (mm)	Bolt Hole Circle (mm)	Num. of Holes
239.4	43	20	18	63.55	108	4+1

FORD

MODEL	START Y.	END Y.
COURIER Pick-up	1996/03	2013/12
ESCORT CLASSIC (AAL, ABL)	1998/10	2000/07
ESCORT CLASSIC Turnier (ANL)	1999/02	2000/07
ESCORT V (AAL, ABL)	1990/07	1996/09
ESCORT V Cabrio (ALL)	1990/07	1995/01
ESCORT V Express (AVF)	1990/07	1994/12
ESCORT V Sedan (AFL)	1993/08	1995/01
ESCORT V Turnier (ANL)	1990/07	1995/01
ESCORT VI van (AVL)	1995/01	2001/06
ESCORT VI (GAL, AAL, ABL)	1995/01	2002/10
ESCORT VI Cabrio (ALL)	1994/03	2000/08



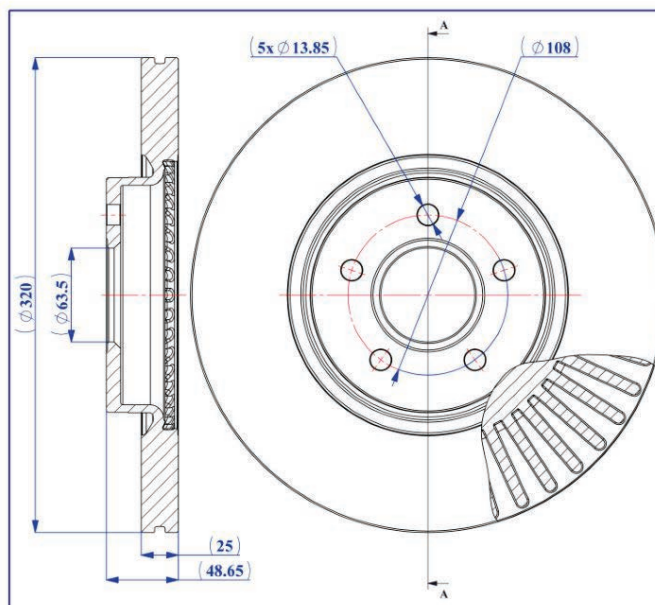
BRAKE DISC

FREN DISK

- Front Axle
- Vented

- OEM Standarts
- AYD Quality
- Safety
- Performance

OE:
1770767
1384290
1368548



AYD NO
10-50309

MATERIAL
TYPE-1

WEIGHT
9.65 KG

BALANCING
100 %



10-50309

Technical Specifications:

Diameter (mm)	Height (mm)	Brake Disc Thickness (mm)	Min. Thickness (mm)	Centering Diameter (mm)	Bolt Hole Circle (mm)	Num. of Holes
320	48.65	25	23	63.5	108	5

FORD

MODEL	START Y.	END Y.
FOCUS III	2010/07	
KUGA II (DM2)	2012/05	
TOURNEO CONNECT / GRAND TOURNEO	2013/09	
TRANSIT CONNECT MPV	2013/02	
TRANSIT CONNECT V408	2013/02	



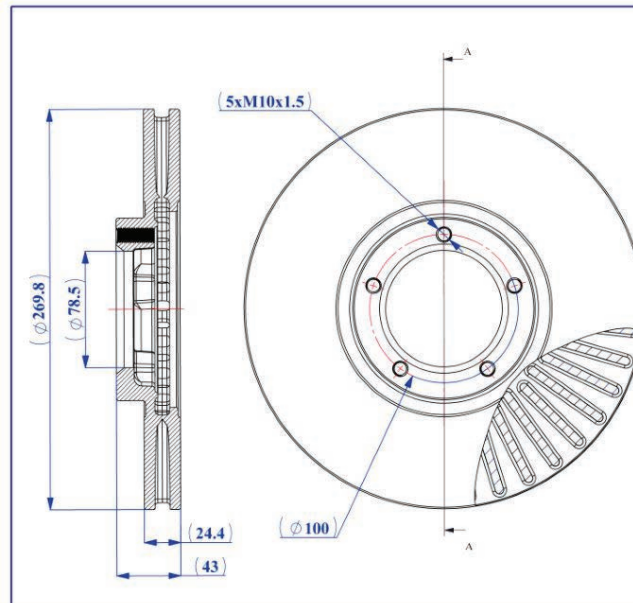
BRAKE DISC

FREN DISK

- Front Axle
- Vented

- OEM Standarts
- AYD Quality
- Safety
- Performance

OE:
95VX1125BA
1514235



AYD[®]
AUTOMOTIVE INDUSTRY

AYD NO
10-50507

MATERIAL
TYPE-1

WEIGHT
6.39 KG

BALANCING
100 %



10-50507

Technical Specifications:

Diameter (mm)	Height (mm)	Brake Disc Thickness (mm)	Min. Thickness (mm)	Centering Diameter (mm)	Bolt Hole Circle (mm)	Num. of Holes
269.8	43	24.4	22.2	78.5	100	5

FORD

MODEL	START Y.	END Y.
TRANSIT Minibus/Bus (E_ _)	1994/06	2000/07
TRANSIT Minibus/Bus (E_ _)	1991/01	1994/09
TRANSIT Panelvan/Van (E_ _)	1994/06	2000/07
TRANSIT Panelvan/Van (E_ _)	1991/05	1994/06
TRANSIT Platform (E_ _)	1994/08	2000/07
TRANSIT Platform (E_ _)	1991/04	1994/08
TRANSIT TOURNEO Minibus/Bus	1994/08	2000/12



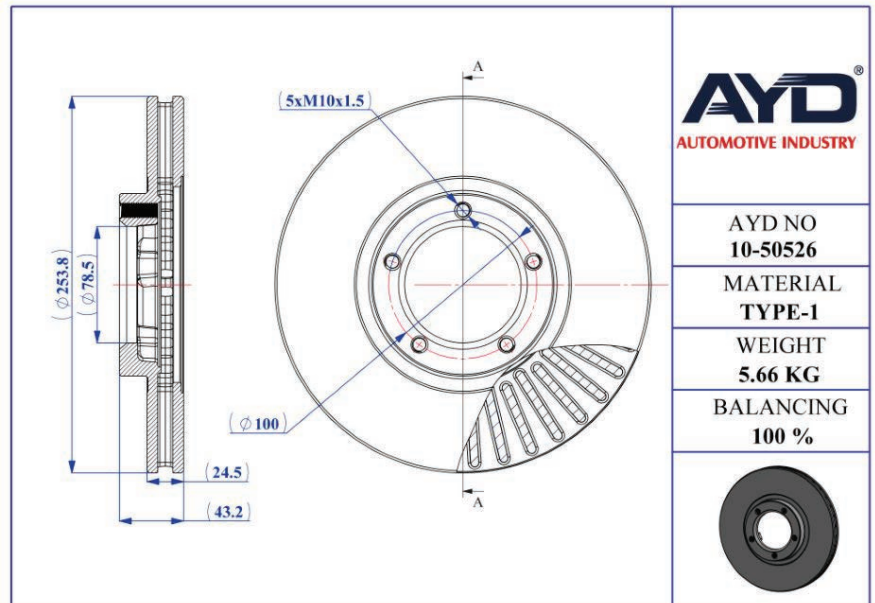
BRAKE DISC

FREN DISK

- Front Axle
- Vented

- OEM Standarts
- AYD Quality
- Safety
- Performance

OE:
95VX1125AA
5029815
1514234



AYD
AUTOMOTIVE INDUSTRY

AYD NO
10-50526

MATERIAL
TYPE-1

WEIGHT
5.66 KG

BALANCING
100 %



10-50526

Technical Specifications:

Diameter (mm)	Height (mm)	Brake Disc Thickness (mm)	Min. Thickness (mm)	Centering Diameter (mm)	Bolt Hole Circle (mm)	Num. of Holes
253.8	43.2	24.5	22.2	78.5	100	5

FORD

MODEL	START Y.	END Y.
TRANSIT Minibus/Bus (E_ _)	1994/06	2000/07
TRANSIT Minibus/Bus (E_ _)	1991/01	1994/09
TRANSIT Panelvan/Van (E_ _)	1994/06	2000/07
TRANSIT Panelvan/Van (E_ _)	1991/05	1994/06
TRANSIT Platform (E_ _)	1994/08	2000/07
TRANSIT Platform (E_ _)	1991/04	1994/08
TRANSIT TOURNEO Minibus/Bus	1994/08	2000/12



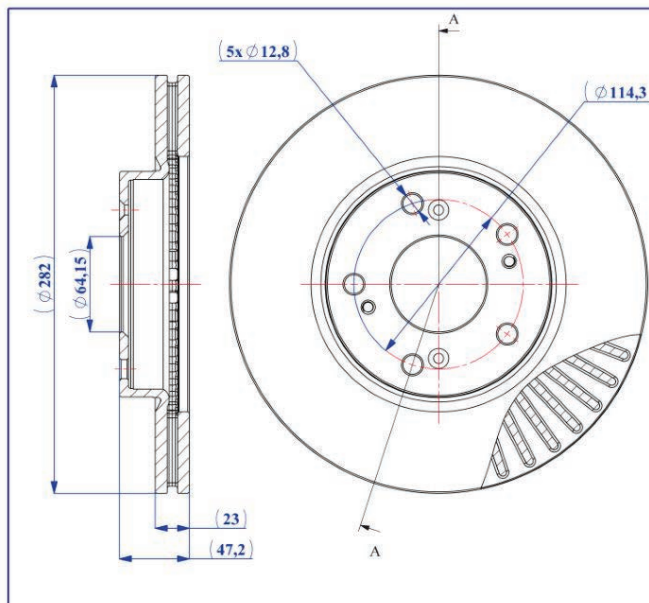
BRAKE DISC

FREN DISK

- Front Axle
- Vented

- OEM Standarts
- AYD Quality
- Safety
- Performance

OE:
452517AE11
45251SMGG10
45251S7AE10



AYD
AUTOMOTIVE INDUSTRY

AYD NO
10-50288

MATERIAL
TYPE-1

WEIGHT
6.36 KG

BALANCING
100 %



10-50288

Technical Specifications:

Diameter (mm)	Height (mm)	Brake Disc Thickness (mm)	Min. Thickness (mm)	Centering Diameter (mm)	Bolt Hole Circle (mm)	Num. of Holes
282	47.2	23	21	64.15	114.3	5+4

HONDA

MODEL	START Y.	END Y.
CIVIC VI Aerodeck (MB, MC)	1998/04	2001/02
CIVIC VI Fastback (MA, MB)	1994/09	2001/02
CIVIC VI Hatchback (EJ, EK)	1995/10	2001/02



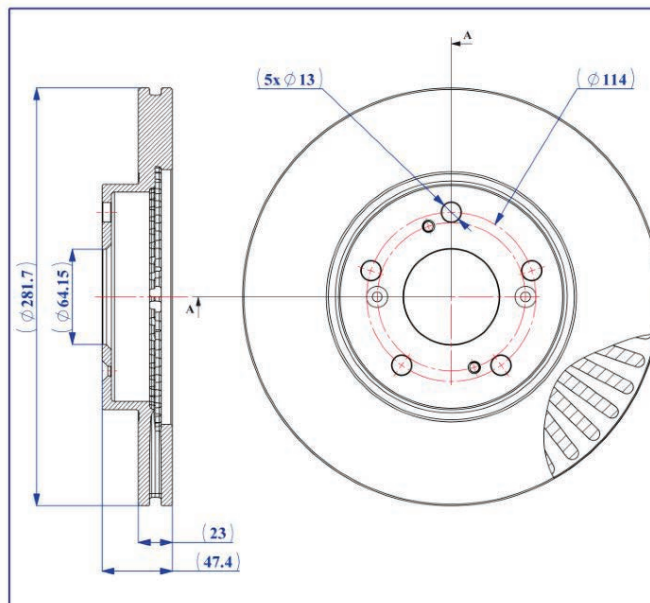
BRAKE DISC

FREN DISK

- Front Axle
- Vented

- OEM Standarts
- AYD Quality
- Safety
- Performance

OE:
45251SNVH00
45251SDCA00
45251TEAT00



AYD
AUTOMOTIVE INDUSTRY

AYD NO
10-50434

MATERIAL
TYPE-1

WEIGHT
6.36 KG

BALANCING
100 %



10-50434

Technical Specifications:

Diameter (mm)	Height (mm)	Brake Disc Thickness (mm)	Min. Thickness (mm)	Centering Diameter (mm)	Bolt Hole Circle (mm)	Num. of Holes
281.7	47.4	23	21	64.15	114	5+4

HONDA

MODEL	START Y.	END Y.
CIVIC IX Sedan (FB)	2011/09	
CIVIC VII Hatchback (EU, EP, EV)	1999/03	2006/02
CIVIC VIII Hatchback (FN, FK)	2005/09	
CIVIC VIII Sedan (FD, FA)	2005/09	
CR-V II (RD_)	2001/09	2007/07
FR-V (BE)	2004/08	
STREAM	2005/10	
STREAM (RN)	2001/05	



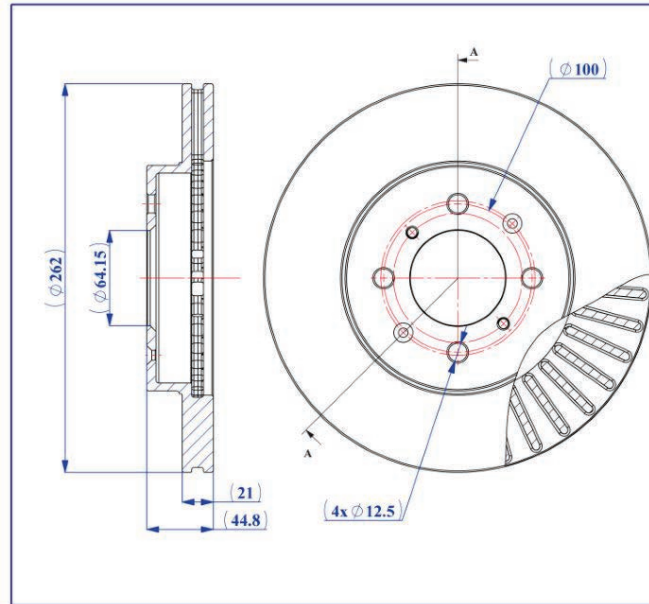
BRAKE DISC

FREN DISK

- Front Axle
- Vented

- OEM Standarts
- AYD Quality
- Safety
- Performance

OE:
45251SCC900
45251SK7000
45251S6DE10



AYD
AUTOMOTIVE INDUSTRY

AYD NO
10-50506

MATERIAL
TYPE-1

WEIGHT
4.73 KG

BALANCING
100 %



10-50506

Technical Specifications:

Diameter (mm)	Height (mm)	Brake Disc Thickness (mm)	Min. Thickness (mm)	Centering Diameter (mm)	Bolt Hole Circle (mm)	Num. of Holes
262	44.8	21	19	64.15	100	4+4

HONDA

MODEL	START Y.	END Y.
CIVIC V Hatchback (EG)	1991/10	1995/11
CIVIC V Sedan (EG, EH)	1991/10	1996/01
CIVIC VI Aerodeck (MB, MC)	1998/04	2001/02
CIVIC VI Coupe (EJ, EM1)	1996/03	2000/12
CIVIC VI Fastback (MA, MB)	1994/09	2001/02
CIVIC VI Hatchback (EJ, EK)	1995/10	2001/02
CIVIC VI Sedan (EJ, EK)	1995/06	2001/03
CIVIC VII Coupe (EM2)	2001/02	2005/12
CIVIC VII Hatchback (EU, EP, EV)	1999/03	2006/02
CIVIC VII Sedan (ES, ET)	2000/10	2006/04
CRX III (EH, EG)	1992/03	1998/12



BRAKE DISC

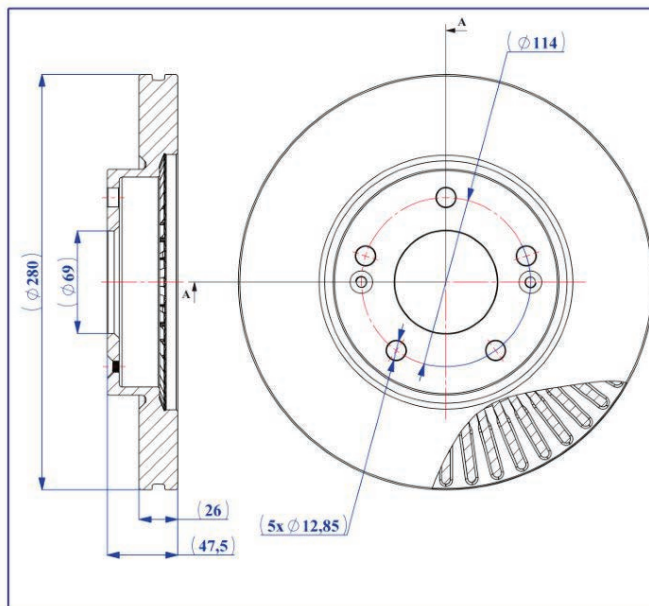
FREN DISK

- Front Axle
- Vented

- OEM Standarts
- AYD Quality
- Safety
- Performance

OE:

517122E305
517122C000
517123K010



AYD
AUTOMOTIVE INDUSTRY

AYD NO
10-50196

MATERIAL
TYPE-1

WEIGHT
7.10 KG

BALANCING
100 %



10-50196

Technical Specifications:

Diameter (mm)	Height (mm)	Brake Disc Thickness (mm)	Min. Thickness (mm)	Centering Diameter (mm)	Bolt Hole Circle (mm)	Num. of Holes
280	47.5	26	24.4	69	114	5+2

HYUNDAI

MODEL	START Y.	END Y.
COUPE (GK)	2001/01	2012/12
i30 (FD)	2007/10	2012/05
i30 Station wagon (FD)	2007/10	2012/06
SONATA IV (EF)	1998/03	2005/12
SONATA VI (YF)	2009/06	2015/12
SONATA VII (LF)	2014/06	
TUCSON (JM)	2004/06	



BRAKE DISC

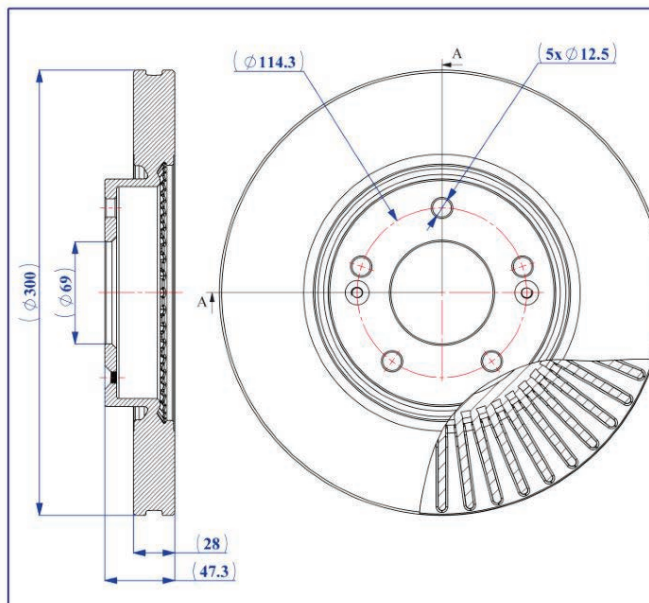
FREN DISK

- Front Axle
- Vented

- OEM Standarts
- AYD Quality
- Safety
- Performance

OE:

517122Y000
517123K150
517123K160



AYD
AUTOMOTIVE INDUSTRY

AYD NO
10-50258

MATERIAL
TYPE-1

WEIGHT
8.67 KG

BALANCING
100 %



10-50258

Technical Specifications:

Diameter (mm)	Height (mm)	Brake Disc Thickness (mm)	Min. Thickness (mm)	Centering Diameter (mm)	Bolt Hole Circle (mm)	Num. of Holes
300	47.3	28	26.4	69	114.3	5+2

HYUNDAI

MODEL	START Y.	END Y.
GRANDEUR (HG)	2011/01	
i30 (FD)	2007/10	2012/05
i30 Coupe	2013/05	
i30 Station wagon (FD)	2007/10	2012/06
i30 Station wagon (GD)	2012/06	
i40 I (VF)	2012/03	
i40 I CW (VF)	2011/07	
ix35 (LM, EL, ELH)	2009/08	
ix35 Van	2009/08	2015/12
SONATA V (NF)	2004/12	2012/11
SONATA VI (YF)	2009/06	2015/12



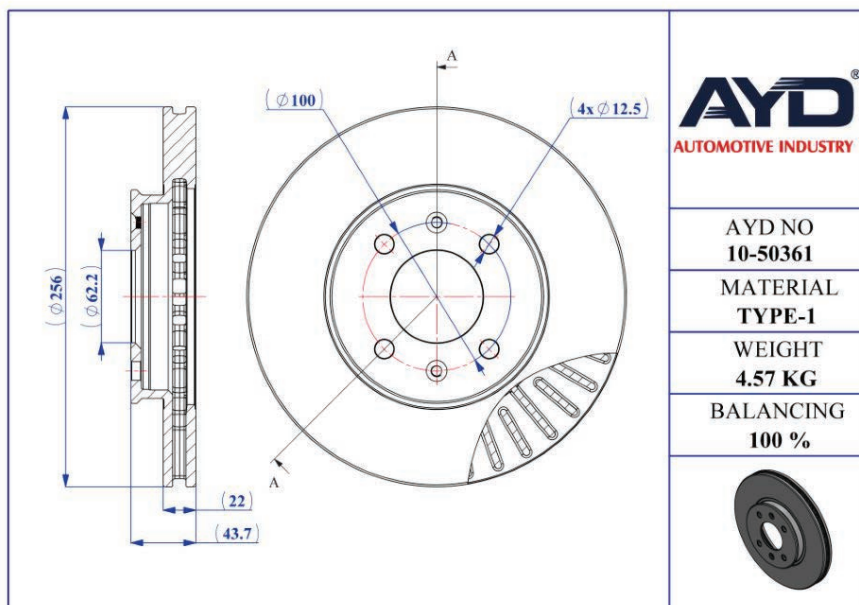
BRAKE DISC

FREN DISK

- Front Axle
- Vented

- OEM Standarts
- AYD Quality
- Safety
- Performance

OE:
517121R000
517120U000



AYD
AUTOMOTIVE INDUSTRY

AYD NO
10-50361

MATERIAL
TYPE-1

WEIGHT
4.57 KG

BALANCING
100 %



10-50361

Technical Specifications:

Diameter (mm)	Height (mm)	Brake Disc Thickness (mm)	Min. Thickness (mm)	Centering Diameter (mm)	Bolt Hole Circle (mm)	Num. of Holes
256	43.7	22	20	62.2	100	4+2

HYUNDAI

MODEL	START Y.	END Y.
ACCENT IV (RB)	2010/11	
i20 ACTIVE (IB, GB)	2015/09	
i20 II (GB, IB)	2014/11	
i20 II Coupe (GB)	2015/05	
SOLARIS Sedan (HCR)	2017/01	



BRAKE DISC

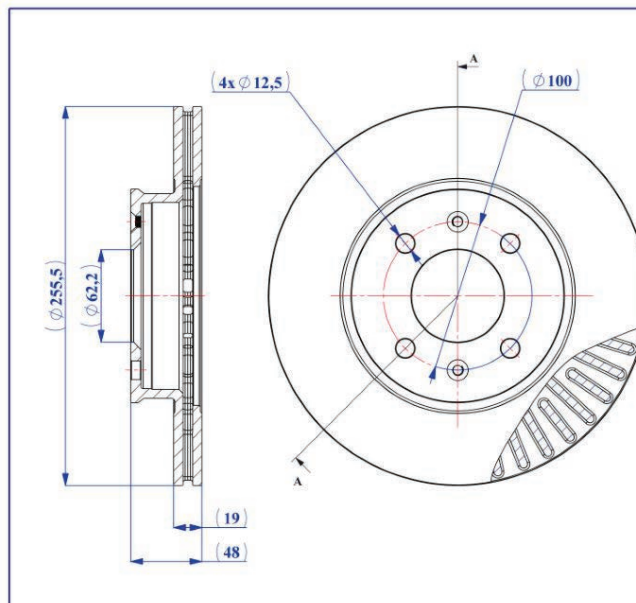
FREN DISK

- Front Axle
- Vented

- OEM Standarts
- AYD Quality
- Safety
- Performance

OE:
517121C050

10-50451



AYD
AUTOMOTIVE INDUSTRY

AYD NO
10-50451

MATERIAL
TYPE-1

WEIGHT
4.61 KG

BALANCING
100 %



Technical Specifications:

Diameter (mm)	Height (mm)	Brake Disc Thickness (mm)	Min. Thickness (mm)	Centering Diameter (mm)	Bolt Hole Circle (mm)	Num. of Holes
255.5	48	19	17	62.2	100	4+2

HYUNDAI

MODEL	START Y.	END Y.
GETZ (TB)	2001/06	2011/01



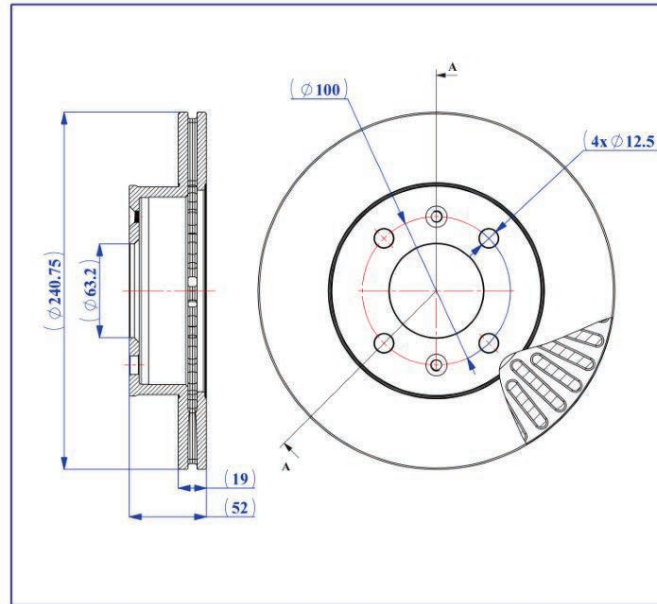
BRAKE DISC

FREN DISK

- Front Axle
- Vented

- OEM Standarts
- AYD Quality
- Safety
- Performance

OE:
5171225010
5171225060
5171225061



AYD
AUTOMOTIVE INDUSTRY

AYD NO
10-50463

MATERIAL
TYPE-1

WEIGHT
4.42 KG

BALANCING
100 %



10-50463

Technical Specifications:

Diameter (mm)	Height (mm)	Brake Disc Thickness (mm)	Min. Thickness (mm)	Centering Diameter (mm)	Bolt Hole Circle (mm)	Num. of Holes
240.75	52	19	17	63.2	100	4+2

HYUNDAI

MODEL	START Y.	END Y.
ACCENT II (LC)	1999/09	2012/12
ACCENT II Sedan (LC)	1999/09	2017/11
ACCENT III Sedan (MC)	2005/11	2012/12
ACCENT Sedan (X-3)	1994/05	2000/01



BRAKE DISC

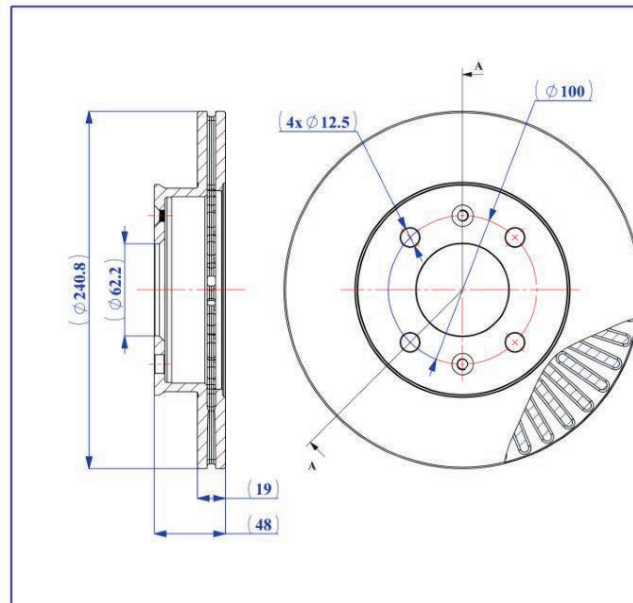
FREN DISK

- Front Axle
- Vented

- OEM Standarts
- AYD Quality
- Safety
- Performance

OE:
517121C000

10-50476



AYD NO
10-50476

MATERIAL
TYPE-1

WEIGHT
4.38 KG

BALANCING
100 %



Technical Specifications:

Diameter (mm)	Height (mm)	Brake Disc Thickness (mm)	Min. Thickness (mm)	Centering Diameter (mm)	Bolt Hole Circle (mm)	Num. of Holes
240.8	48	19	17	62.2	100	4+2

HYUNDAI

MODEL	START Y.	END Y.
GETZ (TB)	2001/06	2011/01

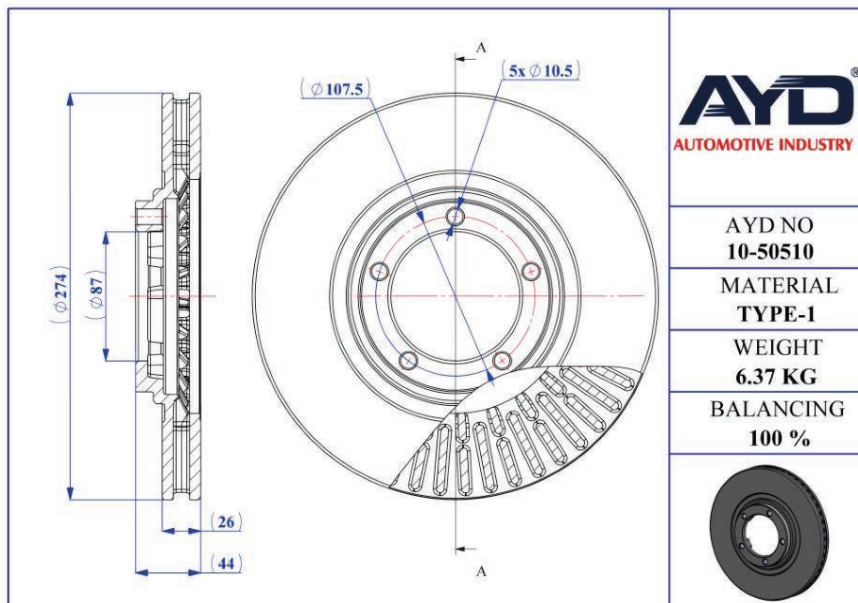


BRAKE DISC

FREN DISK

- Front Axle
- Vented

- OEM Standarts
- AYD Quality
- Safety
- Performance



AYD
AUTOMOTIVE INDUSTRY

AYD NO
10-50510

MATERIAL
TYPE-1

WEIGHT
6.37 KG

BALANCING
100 %



OE:
581294A200

10-50510

Technical Specifications:

Diameter (mm)	Height (mm)	Brake Disc Thickness (mm)	Min. Thickness (mm)	Centering Diameter (mm)	Bolt Hole Circle (mm)	Num. of Holes
274	44	26	24.4	87	107.5	5

HYUNDAI

MODEL	START Y.	END Y.
H-1 / STAREX Minibus/Bus (A1)	1997/06	
H-1 Panelvan/Van (A1)	1997/10	2008/04
H-1 Platform	2000/06	2006/10
H100 Platform (HR)	2004/01	



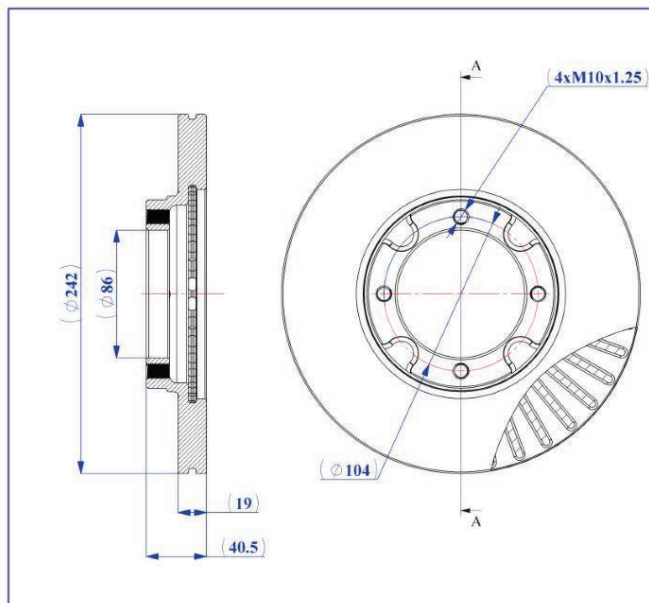
BRAKE DISC

FREN DISK

- Front Axle
- Vented

- OEM Standarts
- AYD Quality
- Safety
- Performance

OE:
5171221A00
5171228000



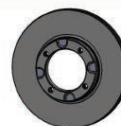
AYD
AUTOMOTIVE INDUSTRY

AYD NO
10-50527

MATERIAL
TYPE-1

WEIGHT
4.35 KG

BALANCING
100 %



10-50527

Technical Specifications:

Diameter (mm)	Height (mm)	Brake Disc Thickness (mm)	Min. Thickness (mm)	Centering Diameter (mm)	Bolt Hole Circle (mm)	Num. of Holes
242	40.5	19	17.7	86	104	4

HYUNDAI

MODEL	START Y.	END Y.
ACCENT (X-2)	1989/10	1995/01
ACCENT I (X-3)	1994/05	2002/12
ACCENT Sedan (X-3)	1994/05	2000/01
PONY (X-1)	1982/09	1989/12
PONY (X-2)	1989/10	1995/01
PONY / EXCEL Sedan (X-2)	1989/04	1995/01
PONY Sedan (X-1)	1985/10	1989/09
S COUPE (SLC)	1990/02	1996/05



BRAKE DISC

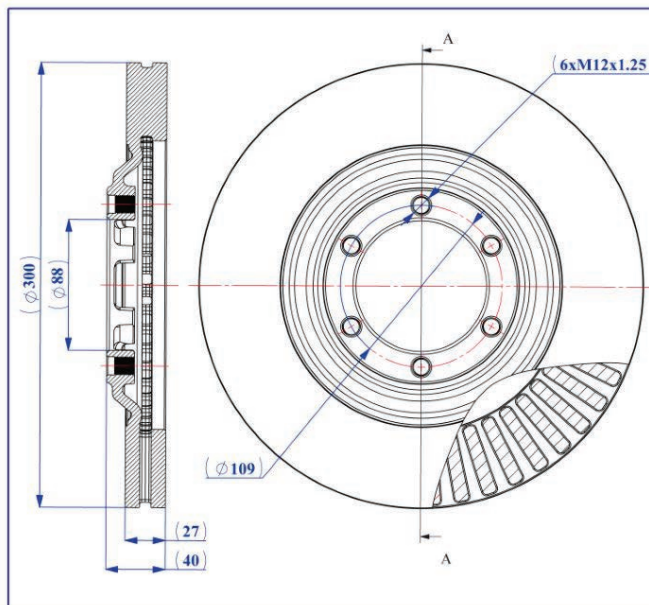
FREN DISK

- Front Axle
- Vented

- OEM Standarts
- AYD Quality
- Safety
- Performance

OE:
8981246633

10-50497



AYD
AUTOMOTIVE INDUSTRY

AYD NO
10-50497

MATERIAL
TYPE-1

WEIGHT
8.01 KG

BALANCING
100 %



Technical Specifications:

Diameter (mm)	Height (mm)	Brake Disc Thickness (mm)	Min. Thickness (mm)	Centering Diameter (mm)	Bolt Hole Circle (mm)	Num. of Holes
300	40	27	25	88	109	6

ISUZU

MODEL	START Y.	END Y.
D-MAX I (TFR, TFS)	2002/05	2012/12
D-MAX I Platform (TFR, TFS)	2006/10	2012/10
D-MAX II (TFR, TFS)	2012/06	



BRAKE DISC

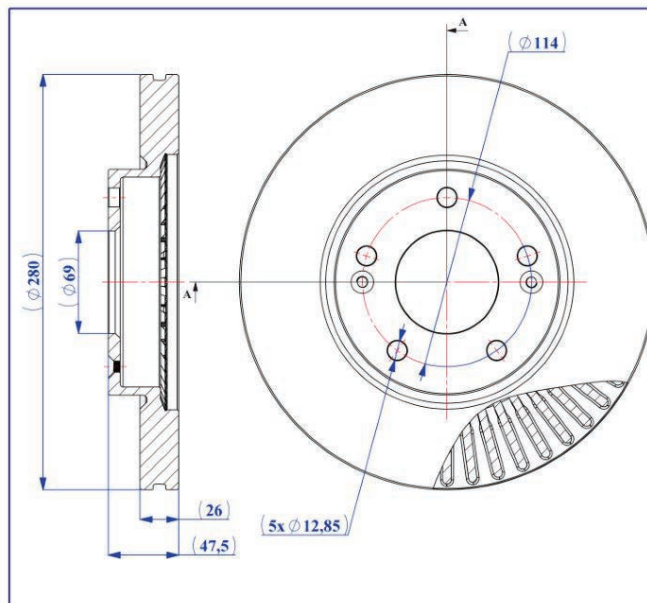
FREN DISK

- Front Axle
- Vented

- OEM Standarts
- AYD Quality
- Safety
- Performance

OE:
517121F300

10-50196



AYD
AUTOMOTIVE INDUSTRY

AYD NO
10-50196

MATERIAL
TYPE-1

WEIGHT
7.10 KG

BALANCING
100 %



Technical Specifications:

Diameter (mm)	Height (mm)	Brake Disc Thickness (mm)	Min. Thickness (mm)	Centering Diameter (mm)	Bolt Hole Circle (mm)	Num. of Holes
280	47.5	26	24.4	69	114	5+2

KIA

MODEL	START Y.	END Y.
CARENS III MPV (UN)	2006/05	
CEE'D Hatchback (ED)	2006/12	2012/12
CEE'D SW (ED)	2007/07	2012/12
MAGENTIS (MG)	2005/10	
PRO CEE'D (ED)	2008/02	2013/02
SOUL I (AM)	2009/01	
SPORTAGE II (JE_, KM)	2004/09	
VENGA (YN)	2010/02	
VENGA Hatchback Van (YN)	2010/02	



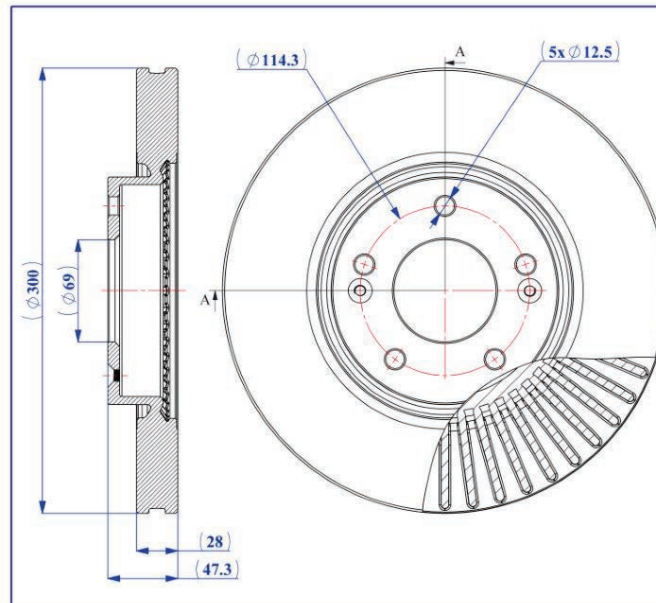
BRAKE DISC

FREN DISK

- Front Axle
- Vented

- OEM Standarts
- AYD Quality
- Safety
- Performance

OE:
517120Z000
517123K110



AYD
AUTOMOTIVE INDUSTRY

AYD NO
10-50258

MATERIAL
TYPE-1

WEIGHT
8.67 KG

BALANCING
100 %



10-50258

Technical Specifications:

Diameter (mm)	Height (mm)	Brake Disc Thickness (mm)	Min. Thickness (mm)	Centering Diameter (mm)	Bolt Hole Circle (mm)	Num. of Holes
300	47.3	28	26.4	69	114.3	5+2

KIA

MODEL	START Y.	END Y.
CARENS IV	2013/03	
OPTIMA (FSGDS6B)	2010/01	
OPTIMA (JF)	2015/09	
OPTIMA Sportswagon (JF)	2016/09	
RIO III (UB)	2011/09	
SPORTAGE II (JE_, KM)	2004/09	
SPORTAGE III (SL)	2009/09	



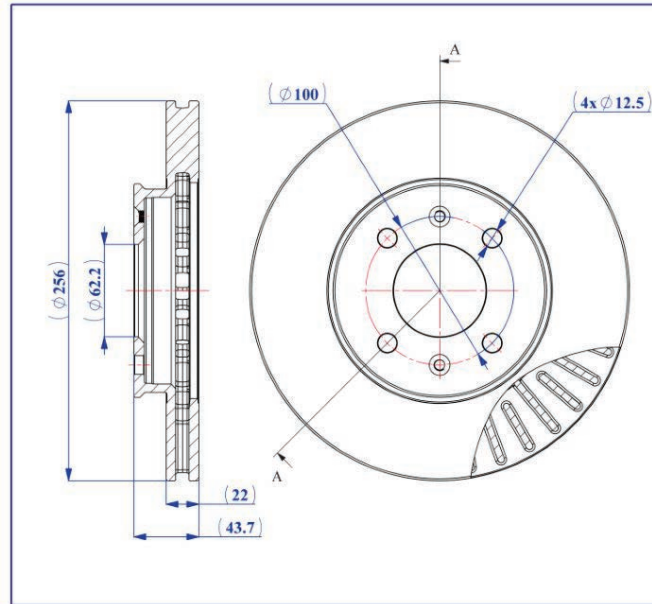
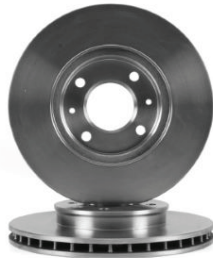
BRAKE DISC

FREN DISK

- Front Axle
- Vented

- OEM Standarts
- AYD Quality
- Safety
- Performance

OE:
517121W200
517121W250



AYD[®]
AUTOMOTIVE INDUSTRY

AYD NO
10-50361

MATERIAL
TYPE-1

WEIGHT
4.57 KG

BALANCING
100 %



10-50361

Technical Specifications:

Diameter (mm)	Height (mm)	Brake Disc Thickness (mm)	Min. Thickness (mm)	Centering Diameter (mm)	Bolt Hole Circle (mm)	Num. of Holes
256	43.7	22	20	62.2	100	4+2

KIA

MODEL	START Y.	END Y.
RIO IV (YB, SC, FB)	2017/01	

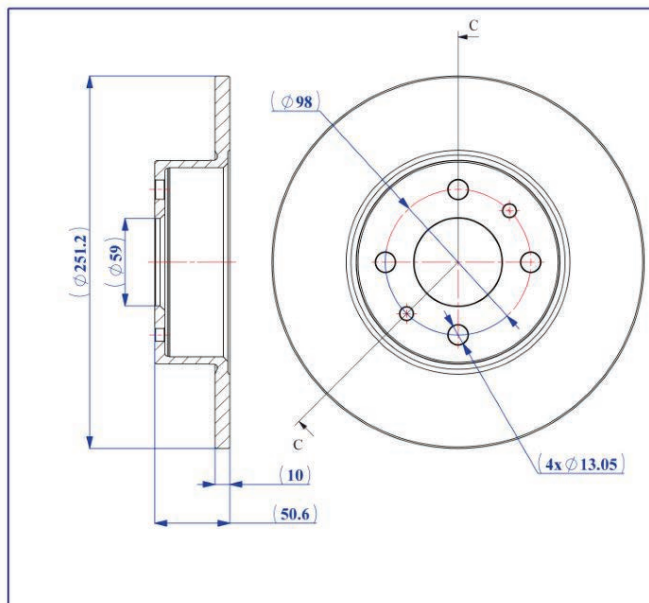
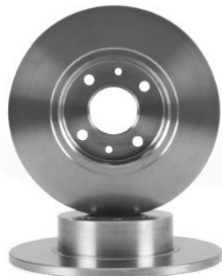


BRAKE DISC

FREN DISK

- Rear Axle
- Solid

- OEM Standarts
- AYD Quality
- Safety
- Performance



AYD
AUTOMOTIVE INDUSTRY

AYD NO
10-50320

MATERIAL
TYPE-1

WEIGHT
3.55 KG

BALANCING
100 %



OE:
71738913

10-50320

Technical Specifications:

Diameter (mm)	Height (mm)	Brake Disc Thickness (mm)	Min. Thickness (mm)	Centering Diameter (mm)	Bolt Hole Circle (mm)	Num. of Holes
251.2	50.6	10	8	59	98	4+2

LANCIA

MODEL	START Y.	END Y.
DELTA III (844_)	2008/08	2014/08
LYBRA (839_)	1999/07	2005/10
LYBRA SW (839_)	1999/07	2005/10
THEMA (834_)	1984/11	1994/07
THEMA SW (834_)	1987/03	1994/07

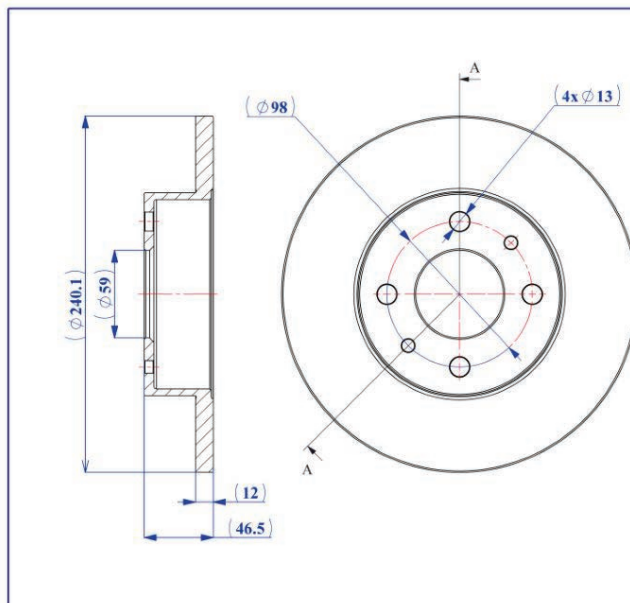
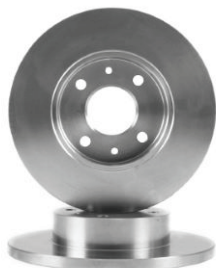


BRAKE DISC

FREN DISK

- Front Axle
- Solid

- OEM Standarts
- AYD Quality
- Safety
- Performance

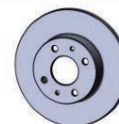


AYD NO
10-50530

MATERIAL
TYPE-1

WEIGHT
3.51 KG

BALANCING
100 %



OE:
5961814

10-50530

Technical Specifications:

Diameter (mm)	Height (mm)	Brake Disc Thickness (mm)	Min. Thickness (mm)	Centering Diameter (mm)	Bolt Hole Circle (mm)	Num. of Holes
240.1	46.5	12	10.8	59	98	4+2

LANCIA

MODEL	START Y.	END Y.
Y10 (156_)	1985/03	1995/12



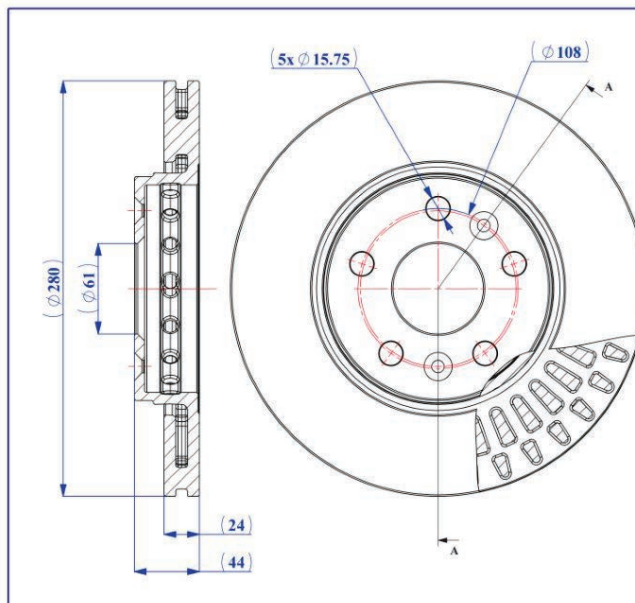
BRAKE DISC

FREN DISK

- Front Axle
- Vented

- OEM Standarts
- AYD Quality
- Safety
- Performance

OE:
4154200001
4154200701
8201464604



AYD
AUTOMOTIVE INDUSTRY

AYD NO
10-50254

MATERIAL
TYPE-1

WEIGHT
6.72 KG

BALANCING
100 %



10-50254

Technical Specifications:

Diameter (mm)	Height (mm)	Brake Disc Thickness (mm)	Min. Thickness (mm)	Centering Diameter (mm)	Bolt Hole Circle (mm)	Num. of Holes
280	44	24	21.8	61	108	5+2

MERCEDES-BENZ

MODEL	START Y.	END Y.
CITAN (W415)	2012/11	
CITAN Mixto (Double Cabin) (W415)	2012/11	
CITAN MPV (415)	2012/11	



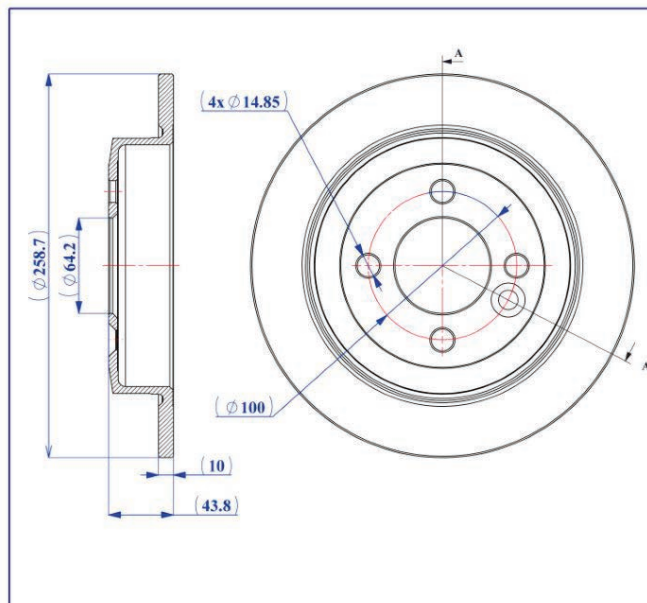
BRAKE DISC

FREN DISK

- Rear Axle
- Solid

- OEM Standarts
- AYD Quality
- Safety
- Performance

OE:
34211503070
34216774987



AYD
AUTOMOTIVE INDUSTRY

AYD NO
10-50188

MATERIAL
TYPE-1

WEIGHT

3.46 KG

BALANCING

100 %



10-50188

Technical Specifications:

Diameter (mm)	Height (mm)	Brake Disc Thickness (mm)	Min. Thickness (mm)	Centering Diameter (mm)	Bolt Hole Circle (mm)	Num. of Holes
258.7	43.8	10	8.4	64.2	100	4+1

MINI

MODEL	START Y.	END Y.
MINI (R50, R53)	2001/06	2006/09
MINI (R56)	2005/11	2014/01
MINI Cabrio (R52)	2004/04	2008/07
MINI Cabrio (R57)	2007/10	2015/06
MINI CLUBMAN (R55)	2006/10	2015/12
MINI CLUBVAN (R55)	2012/12	2014/06
MINI Coupe (R58)	2010/12	2015/05
MINI Roadster (R59)	2011/01	2015/04

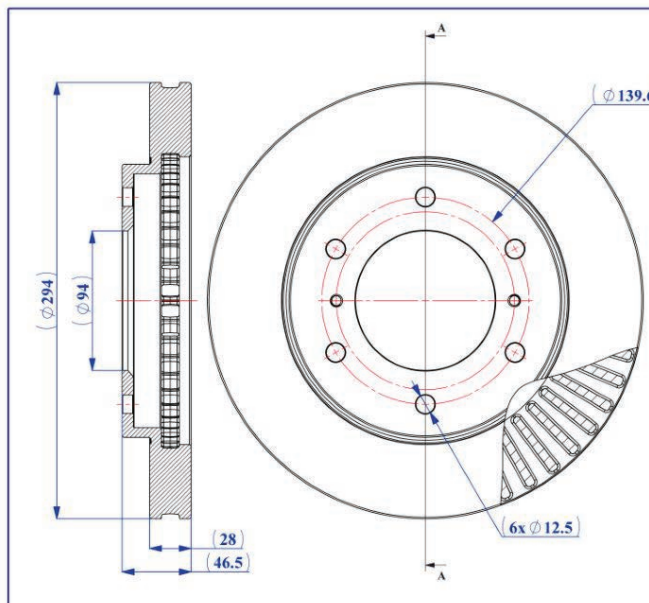


BRAKE DISC

FREN DISK

- Front Axle
- Vented

- OEM Standarts
- AYD Quality
- Safety
- Performance



AYD
AUTOMOTIVE INDUSTRY

AYD NO
10-50301

MATERIAL
TYPE-1

WEIGHT
7.11 KG

BALANCING
100 %



OE:
MN102276

10-50301

Technical Specifications:

Diameter (mm)	Height (mm)	Brake Disc Thickness (mm)	Min. Thickness (mm)	Centering Diameter (mm)	Bolt Hole Circle (mm)	Num. of Holes
294	46.5	28	24.6	94	139.6	6+2

MITSUBISHI

MODEL	START Y.	END Y.
L200 / TRITON (KA_T, KB_T)	2004/01	2016/12
PAJERO SPORT II (KH_, KG_)	2008/01	



BRAKE DISC

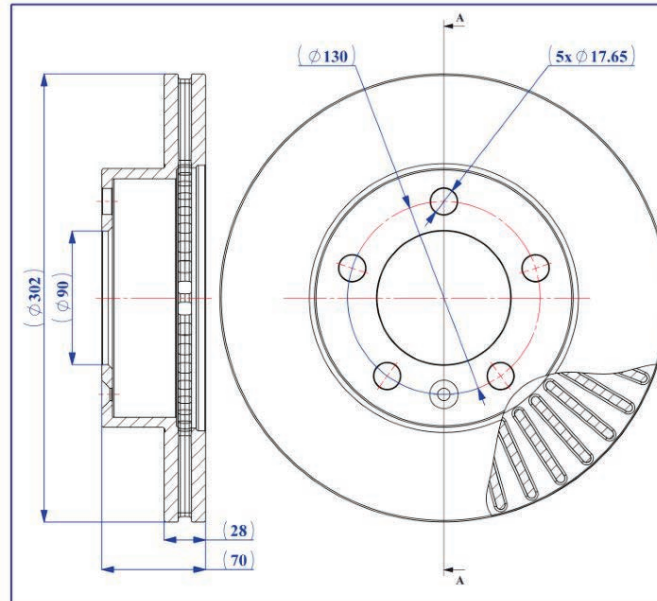
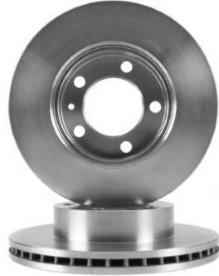
FREN DISK

- Front Axle
- Vented

- OEM Standarts
- AYD Quality
- Safety
- Performance

OE:
4020600Q0G

10-50267



AYD
AUTOMOTIVE INDUSTRY

AYD NO
10-50267

MATERIAL
TYPE-1

WEIGHT
9.24 KG

BALANCING
100 %



Technical Specifications:

Diameter (mm)	Height (mm)	Brake Disc Thickness (mm)	Min. Thickness (mm)	Centering Diameter (mm)	Bolt Hole Circle (mm)	Num. of Holes
302	70	28	24.5	90	130	5+1

NISSAN

MODEL	START Y.	END Y.
NV400 Minibus/Bus (X62, X62B)	2011/11	
NV400 Panelvan/Van (X62, X62B)	2011/11	
NV400 Platform (X62, X62B)	2011/11	

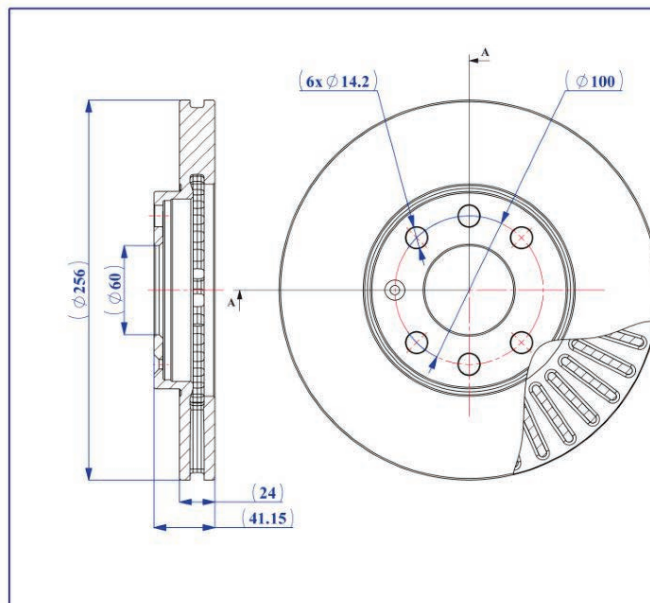


BRAKE DISC

FREN DISK

- Front Axle
- Vented

- OEM Standarts
- AYD Quality
- Safety
- Performance



AYD
AUTOMOTIVE INDUSTRY

AYD NO
10-50191

MATERIAL
TYPE-1

WEIGHT
5.13 KG

BALANCING
100 %



OE:
569059

10-50191

Technical Specifications:

Diameter (mm)	Height (mm)	Brake Disc Thickness (mm)	Min. Thickness (mm)	Centering Diameter (mm)	Bolt Hole Circle (mm)	Num. of Holes
256	41.15	24	21	60	100	6+1

OPEL

MODEL	START Y.	END Y.
ASTRA F Cabrio (T92)	1993/03	2001/03
ASTRA F CLASSIC Hatchback (T92)	1998/01	2002/08
ASTRA F CLASSIC Sedan (T92)	1998/01	2002/08
ASTRA F CLASSIC Station wagon (T92)	1998/01	2005/01
ASTRA G van (F70)	1998/09	2005/04
ASTRA G CLASSIC (T98)	2004/03	2009/07
ASTRA G CLASSIC Caravan (F35)	2004/03	2009/07
ASTRA G CLASSIC Sedan (T98)	2004/03	2009/07
ASTRA G Coupe (T98)	2000/03	2005/05
ASTRA G Hatchback (T98)	1998/02	2009/12
ASTRA G Sedan (T98)	1998/03	2009/12



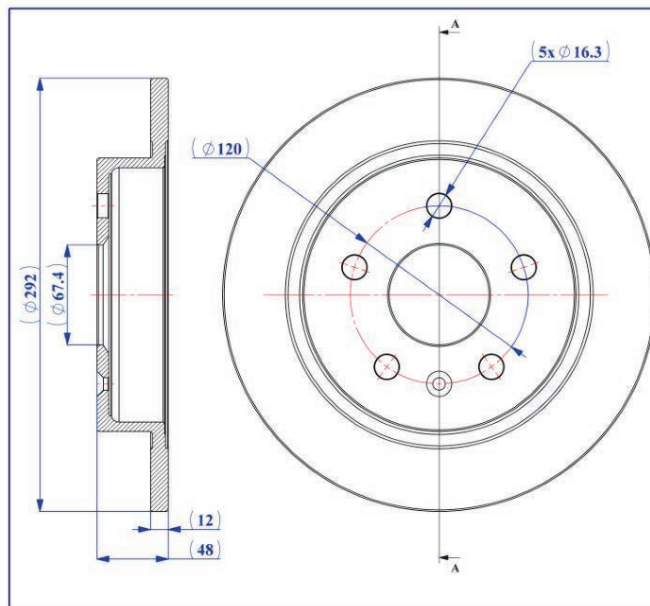
BRAKE DISC

FREN DISK

- Rear Axle
- Solid

- OEM Standarts
- AYD Quality
- Safety
- Performance

OE:
569025
13502198
569127



AYD
AUTOMOTIVE INDUSTRY

AYD NO
10-50222

MATERIAL
TYPE-1

WEIGHT
5.54 KG

BALANCING
100 %



10-50222

Technical Specifications:

Diameter (mm)	Height (mm)	Brake Disc Thickness (mm)	Min. Thickness (mm)	Centering Diameter (mm)	Bolt Hole Circle (mm)	Num. of Holes
292	48	12	10.5	67.4	120	5+1

OPEL

MODEL	START Y.	END Y.
INSIGNIA A (G09)	2008/07	2017/03
INSIGNIA A Country Tourer (G09)	2008/07	2017/03
INSIGNIA A Sedan (G09)	2008/07	2017/03
INSIGNIA A Sports Tourer (G09)	2008/07	2017/03



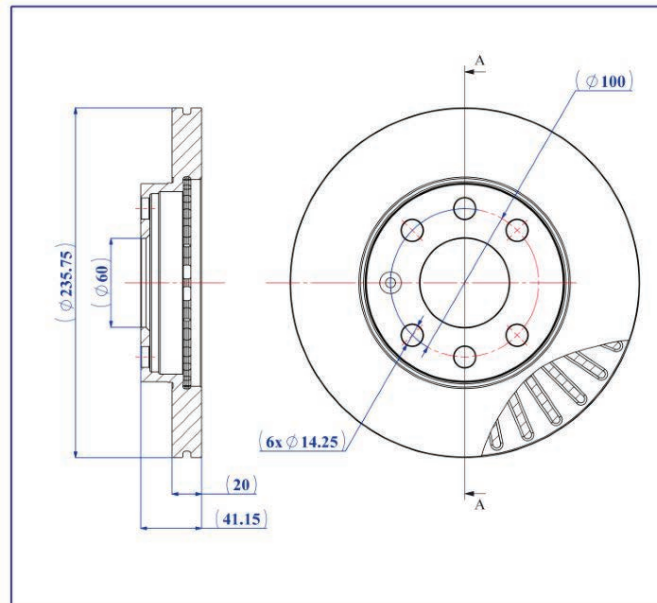
BRAKE DISC

FREN DISK

- Front Axle
- Vented

- OEM Standarts
- AYD Quality
- Safety
- Performance

OE:
90511111
569054
90008006



AYD
AUTOMOTIVE INDUSTRY

AYD NO
10-50233

MATERIAL
TYPE-1

WEIGHT
4.11 KG

BALANCING
100 %



10-50233

Technical Specifications:

Diameter (mm)	Height (mm)	Brake Disc Thickness (mm)	Min. Thickness (mm)	Centering Diameter (mm)	Bolt Hole Circle (mm)	Num. of Holes
235.75	41.15	20	17	60	100	6+1

OPEL

MODEL	START Y.	END Y.
ASCONA C (J82)	1981/09	1988/10
ASCONA C Hatchback (J82)	1981/09	1988/08
ASTRA F van (T92)	1991/10	1999/01
ASTRA F (T92)	1991/09	1998/09
ASTRA F Cabrio (T92)	1993/03	2001/03
ASTRA F Hatchback (T92)	1991/09	1998/02
ASTRA F Station wagon (T92)	1991/09	1998/01
COMBO (71_)	1994/07	2001/10
CORSA A Hatchback (S83)	1982/09	1993/03
CORSA B (S93)	1993/03	2002/12
KADETT E (T85)	1984/09	1993/12



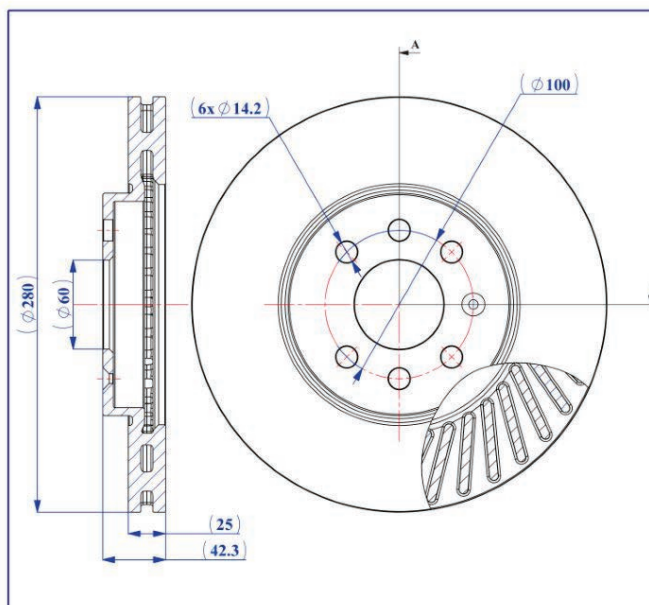
BRAKE DISC

FREN DISK

- Front Axle
- Vented

- OEM Standarts
- AYD Quality
- Safety
- Performance

OE:
95526653
93175376



AYD
AUTOMOTIVE INDUSTRY

AYD NO
10-50235

MATERIAL
TYPE-1

WEIGHT
6.91 KG

BALANCING
100 %



10-50235

Technical Specifications:

Diameter (mm)	Height (mm)	Brake Disc Thickness (mm)	Min. Thickness (mm)	Centering Diameter (mm)	Bolt Hole Circle (mm)	Num. of Holes
280	42.3	25	22	60	100	6+1

OPEL

MODEL	START Y.	END Y.
ASTRA H Station wagon (A04)	2004/08	2014/05
COMBO	2001/10	
COMBO Tour	2001/10	2011/12
MERIVA A MPV (X03)	2003/05	2010/05



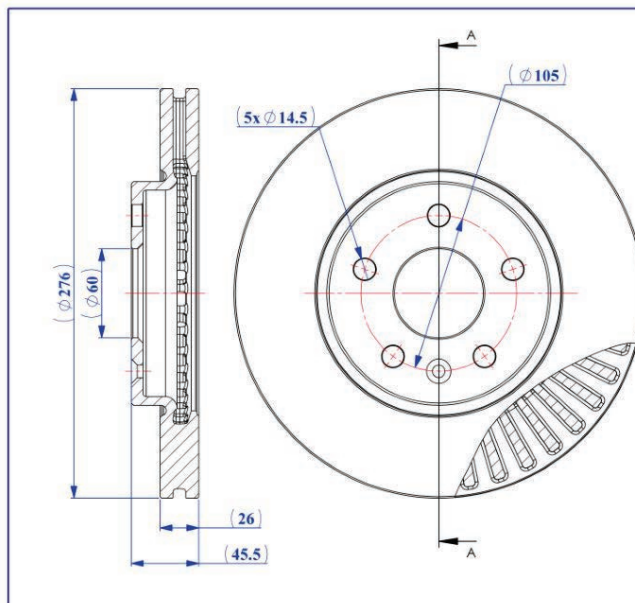
BRAKE DISC

FREN DISK

- Front Axle
- Vented

- OEM Standarts
- AYD Quality
- Safety
- Performance

OE:
569073
509069
13502044



AYD
AUTOMOTIVE INDUSTRY

AYD NO
10-50236

MATERIAL
TYPE-1

WEIGHT
6.90 KG

BALANCING
100 %



10-50236

Technical Specifications:

Diameter (mm)	Height (mm)	Brake Disc Thickness (mm)	Min. Thickness (mm)	Centering Diameter (mm)	Bolt Hole Circle (mm)	Num. of Holes
276	45.5	26	23	60	105	5+1

OPEL

MODEL	START Y.	END Y.
ASTRA J (P10)	2009/09	2015/10
ASTRA J GTC	2011/10	
ASTRA J Sedan	2012/06	
ASTRA J Sports Tourer (P10)	2010/10	2015/10



BRAKE DISC

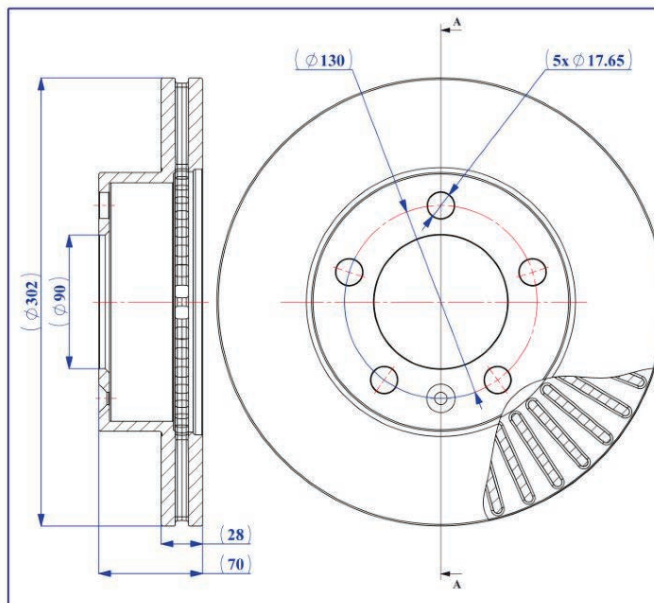
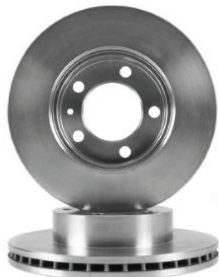
FREN DISK

- Front Axle
- Vented

- OEM Standarts
- AYD Quality
- Safety
- Performance

OE:
418051

10-50267



AYD
AUTOMOTIVE INDUSTRY

AYD NO
10-50267

MATERIAL
TYPE-1

WEIGHT
9.24 KG

BALANCING
100 %



Technical Specifications:

Diameter (mm)	Height (mm)	Brake Disc Thickness (mm)	Min. Thickness (mm)	Centering Diameter (mm)	Bolt Hole Circle (mm)	Num. of Holes
302	70	28	24.5	90	130	5+1

OPEL

MODEL	START Y.	END Y.
MOVANO B (X62)	2010/05	
MOVANO B Minibus/Bus (X62)	2010/12	
MOVANO B Panelvan/Van (X62)	2010/05	
MOVANO B Platform (X62)	2010/05	



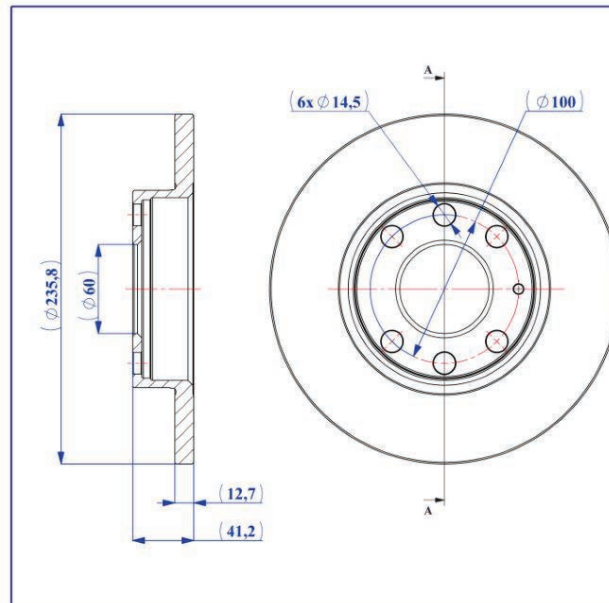
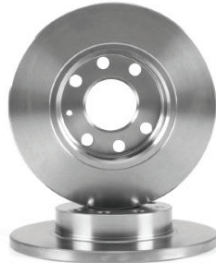
BRAKE DISC

FREN DISK

- Front Axle
- Solid

- OEM Standarts
- AYD Quality
- Safety
- Performance

OE:
93182290
90008031
569030



AYD[®]
AUTOMOTIVE INDUSTRY

AYD NO
10-50350

MATERIAL
TYPE-1

WEIGHT
3.62 KG

BALANCING
100 %



10-50350

Technical Specifications:

Diameter (mm)	Height (mm)	Brake Disc Thickness (mm)	Min. Thickness (mm)	Centering Diameter (mm)	Bolt Hole Circle (mm)	Num. of Holes
235.8	41.2	12.7	9.7	60	100	6+1

OPEL

MODEL	START Y.	END Y.
ASCONA C (J82)	1981/09	1988/10
ASCONA C Hatchback (J82)	1981/09	1988/08
ASTRA F van (T92)	1991/10	1999/01
ASTRA F (T92)	1991/09	1998/09
ASTRA F Cabrio (T92)	1993/03	2001/03
ASTRA F Hatchback (T92)	1991/09	1998/02
ASTRA F Station wagon (T92)	1991/09	1998/01
COMBO (71_)	1994/07	2001/10
CORSA A Hatchback (S83)	1982/09	1993/03
CORSA A TR (S83)	1982/09	1993/03
CORSA B (S93)	1994/08	2001/12



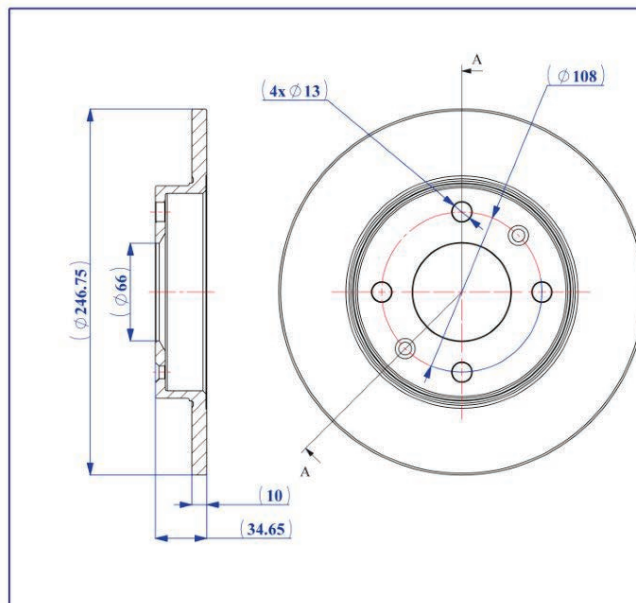
BRAKE DISC

FREN DISK

- Front Axle
- Solid

- OEM Standarts
- AYD Quality
- Safety
- Performance

OE:
424995



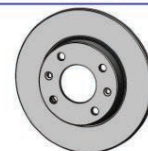
AYD
AUTOMOTIVE INDUSTRY

AYD NO
10-50269

MATERIAL
TYPE-1

WEIGHT
3.29 KG

BALANCING
100 %



10-50269

Technical Specifications:

Diameter (mm)	Height (mm)	Brake Disc Thickness (mm)	Min. Thickness (mm)	Centering Diameter (mm)	Bolt Hole Circle (mm)	Num. of Holes
246.75	34.65	10	9	66	108	4+2

PEUGEOT

MODEL	START Y.	END Y.
106 I (1A, 1C)	1991/08	1996/04
106 II (1A_, 1C_)	1996/04	2005/05
106 Van II (1S_)	1996/04	2001/03
205	1990/08	1997/05
205	1983/02	1990/07
205 I (741A/C)	1983/02	1987/10
205 I Cabrio (741B, 20D)	1986/03	1995/11
205 II (20A/C)	1987/01	2000/12
206 Hatchback (2A/C)	1998/08	2012/12
206 SW (2E/K)	2002/07	
306 van (N_, 7_)	1993/07	2002/08



BRAKE DISC

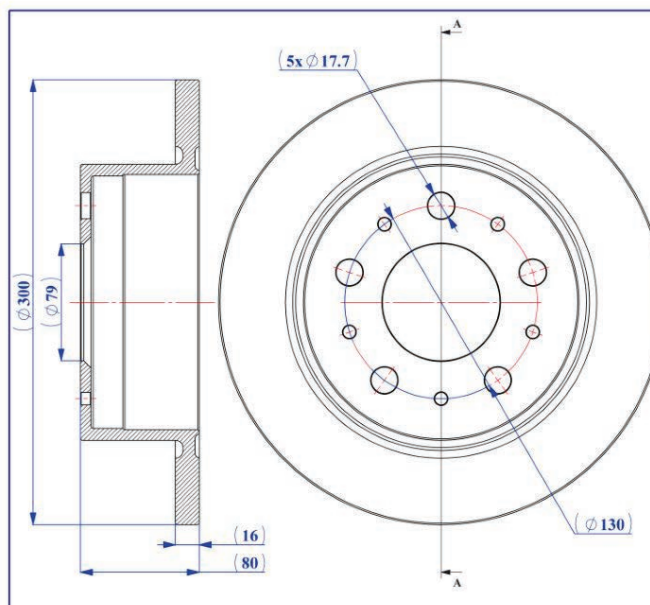
FREN DISK

- Rear Axle
- Solid

- OEM Standarts
- AYD Quality
- Safety
- Performance

OE:
1607880680

10-50521



AYD
AUTOMOTIVE INDUSTRY

AYD NO 10-50521
MATERIAL TYPE-1
WEIGHT 7.86 KG
BALANCING 100 %

Technical Specifications:

Diameter (mm)	Height (mm)	Brake Disc Thickness (mm)	Min. Thickness (mm)	Centering Diameter (mm)	Bolt Hole Circle (mm)	Num. of Holes
300	80	16	14.2	79	130	5+5

PEUGEOT

MODEL	START Y.	END Y.
BOXER Minibus/Bus	2005/09	
BOXER Panelvan/Van	2006/04	
BOXER Platform	2006/04	



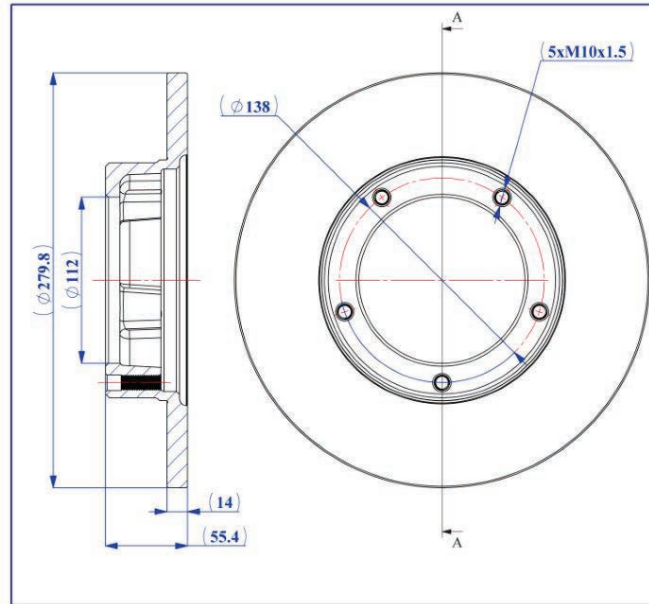
BRAKE DISC

FREN DISK

- Front Axle
- Solid

- OEM Standarts
- AYD Quality
- Safety
- Performance

OE:
4246B8



AYD
AUTOMOTIVE INDUSTRY

AYD NO
10-50533

MATERIAL
TYPE-1

WEIGHT
6.08 KG

BALANCING
100 %



10-50533

Technical Specifications:

Diameter (mm)	Height (mm)	Brake Disc Thickness (mm)	Min. Thickness (mm)	Centering Diameter (mm)	Bolt Hole Circle (mm)	Num. of Holes
279.8	55.4	14	12.6	112	138	5

PEUGEOT

MODEL	START Y.	END Y.
J7 Minibus/Bus	1968/08	1980/03
J7 Panelvan/Van	1968/08	1980/03
J7 Platform	1968/08	1980/03
J9 Minibus/Bus	1980/03	1987/06
J9 Panelvan/Van	1980/03	1987/06
J9 Platform	1980/03	1987/06

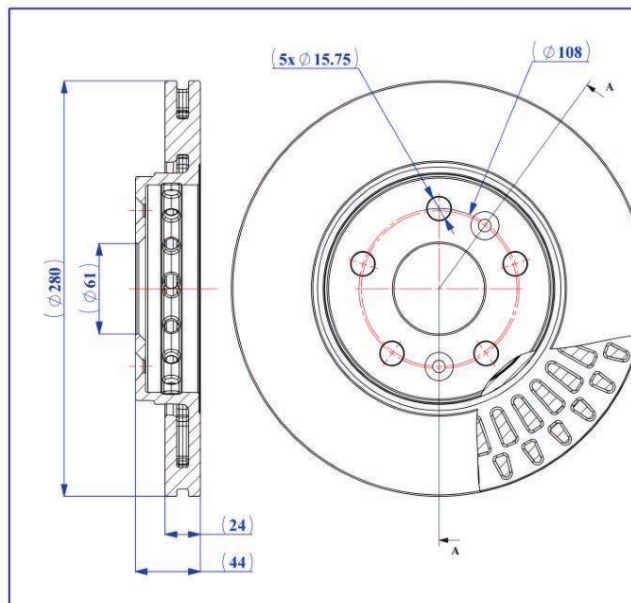


BRAKE DISC

FREN DISK

- Front Axle
- Vented

- OEM Standarts
- AYD Quality
- Safety
- Performance



AYD
AUTOMOTIVE INDUSTRY

AYD NO
10-50254

MATERIAL
TYPE-1

WEIGHT
6.72 KG

BALANCING
100 %



OE:
7701209839

10-50254

Technical Specifications:

Diameter (mm)	Height (mm)	Brake Disc Thickness (mm)	Min. Thickness (mm)	Centering Diameter (mm)	Bolt Hole Circle (mm)	Num. of Holes
280	44	24	21.8	61	108	5+2

RENAULT

MODEL	START Y.	END Y.
KANGOO / GRAND KANGOO (KW0/1_)	2008/02	
KANGOO BE BOP (KW0/1_)	2009/02	
KANGOO Express (FW0/1_)	2008/02	



BRAKE DISC

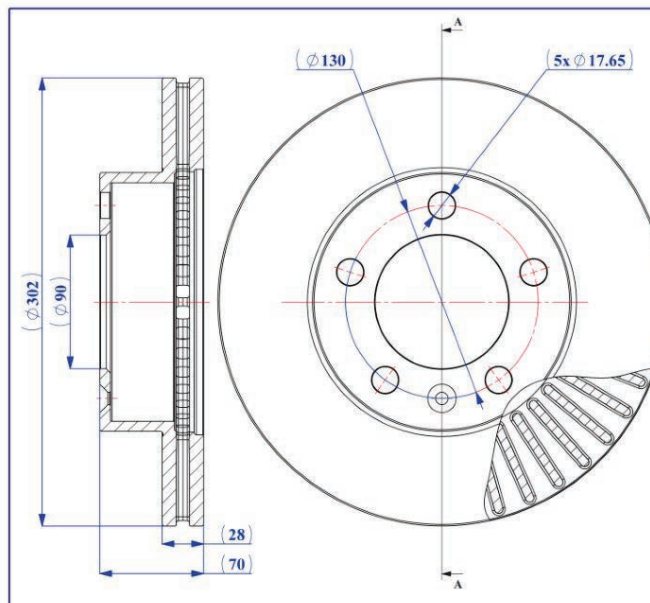
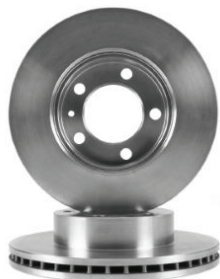
FREN DISK

- Front Axle
- Vented

- OEM Standarts
- AYD Quality
- Safety
- Performance

OE:
8200688880

10-50267



AYD
AUTOMOTIVE INDUSTRY

AYD NO
10-50267

MATERIAL
TYPE-1

WEIGHT
9.24 KG

BALANCING
100 %



Technical Specifications:

Diameter (mm)	Height (mm)	Brake Disc Thickness (mm)	Min. Thickness (mm)	Centering Diameter (mm)	Bolt Hole Circle (mm)	Num. of Holes
302	70	28	24.5	90	130	5+1

RENAULT

MODEL	START Y.	END Y.
MASTER III Minibus/Bus (JV)	2011/02	
MASTER III Panelvan/Van (FV)	2010/02	
MASTER III Platform (EV, HV, UV)	2010/02	

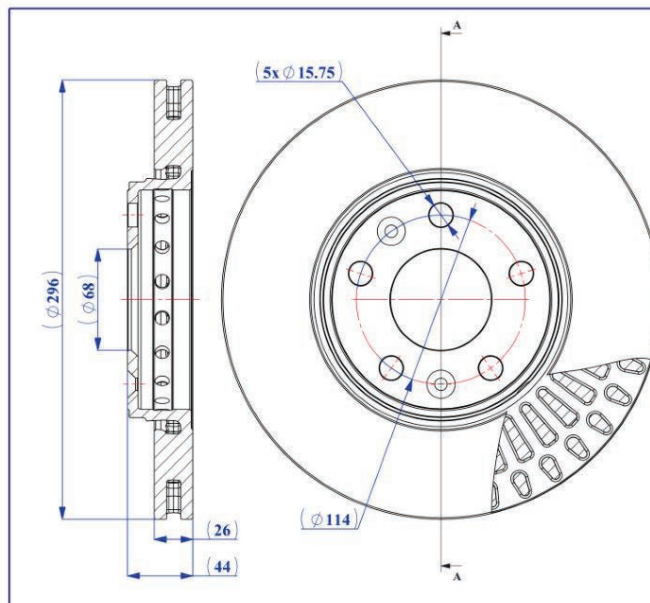


BRAKE DISC

FREN DISK

- Front Axle
- Vented

- OEM Standarts
- AYD Quality
- Safety
- Performance



AYD
AUTOMOTIVE INDUSTRY

AYD NO
10-50270

MATERIAL
TYPE-1

WEIGHT
7.85 KG

BALANCING
100 %



OE:
402060002R

10-50270

Technical Specifications:

Diameter (mm)	Height (mm)	Brake Disc Thickness (mm)	Min. Thickness (mm)	Centering Diameter (mm)	Bolt Hole Circle (mm)	Num. of Holes
296	44	26	23.4	68	114	5+2

RENAULT

MODEL	START Y.	END Y.
GRAND SCÉNIC III (JZ0/1_)	2009/02	
LAGUNA Coupe (DT0/1)	2008/09	2015/12
LAGUNA III (BT0/1)	2007/10	2015/12
LAGUNA III Grandtour (KT0/1)	2007/10	2015/12
MEGANE CC (EZ0/1_)	2010/06	
MEGANE III Coupe (DZ0/1_)	2008/11	
MEGANE III Grandtour (KZ0/1)	2008/11	
MEGANE III Hatchback (BZ0/1_, B3_)	2008/11	
SCÉNIC III (JZ0/1_)	2008/12	



BRAKE DISC

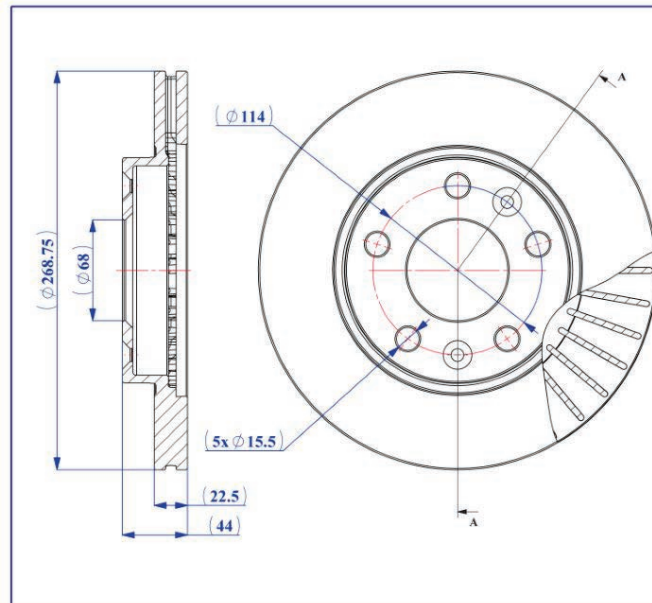
FREN DISK

- Front Axle
- Vented

- OEM Standarts
- AYD Quality
- Safety
- Performance

OE:
402061715R

10-50477



AYD
AUTOMOTIVE INDUSTRY

AYD NO
10-50477

MATERIAL
TYPE-1

WEIGHT
5.35 KG

BALANCING
100 %



Technical Specifications:

Diameter (mm)	Height (mm)	Brake Disc Thickness (mm)	Min. Thickness (mm)	Centering Diameter (mm)	Bolt Hole Circle (mm)	Num. of Holes
268.75	44	22.5	20	68	114	5+2

RENAULT

MODEL	START Y.	END Y.
DUSTER (HS_)	2011/01	
KAPTUR (H5_)	2016/03	



BRAKE DISC

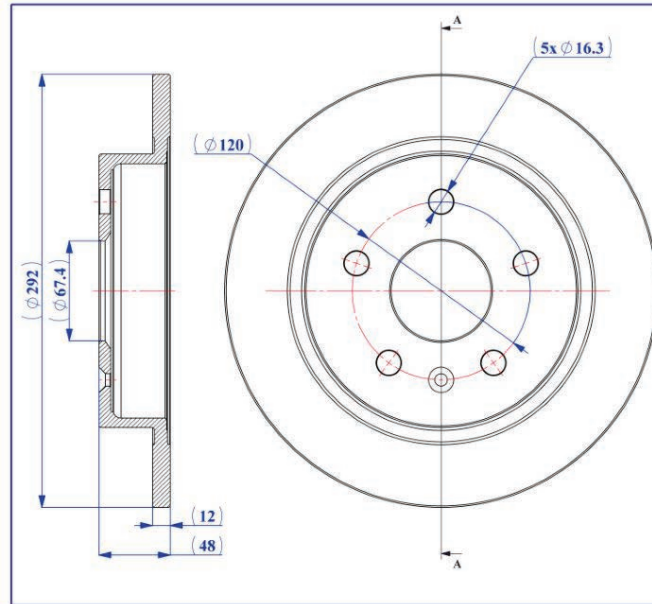
FREN DISK

- Rear Axle
- Solid

- OEM Standarts
- AYD Quality
- Safety
- Performance

OE:
13502198

10-50222



AYD
AUTOMOTIVE INDUSTRY

AYD NO
10-50222

MATERIAL
TYPE-1

WEIGHT
5.54 KG

BALANCING
100 %



Technical Specifications:

Diameter (mm)	Height (mm)	Brake Disc Thickness (mm)	Min. Thickness (mm)	Centering Diameter (mm)	Bolt Hole Circle (mm)	Num. of Holes
292	48	12	10.5	67.4	120	5+1

SAAB

MODEL	START Y.	END Y.
9-5 (YS3G)	2010/01	2012/01



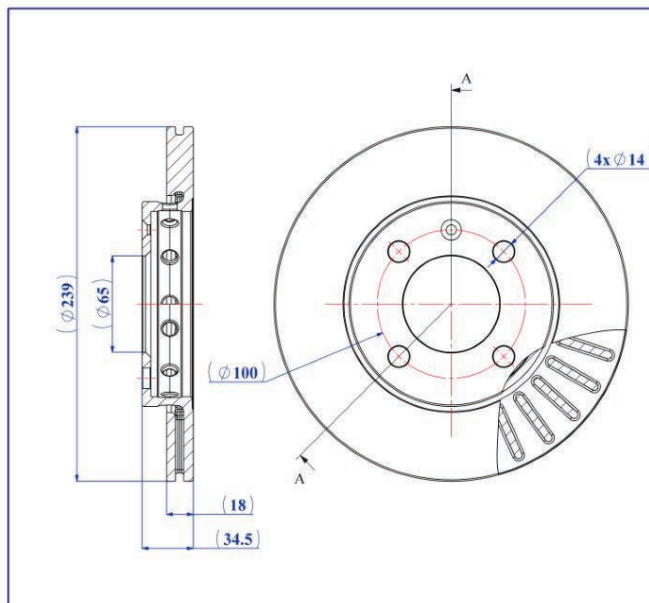
BRAKE DISC

FREN DISK

- Front Axle
- Vented

- OEM Standarts
- AYD Quality
- Safety
- Performance

OE:
6N0615301F
6N0615301C



AYD[®]
AUTOMOTIVE INDUSTRY

AYD NO
10-50224

MATERIAL
TYPE-1

WEIGHT
3.61 KG

BALANCING
100 %



10-50224

Technical Specifications:

Diameter (mm)	Height (mm)	Brake Disc Thickness (mm)	Min. Thickness (mm)	Centering Diameter (mm)	Bolt Hole Circle (mm)	Num. of Holes
239	34.5	18	16	65	100	4+1

SEAT

MODEL	START Y.	END Y.
AROSA (6H1)	1997/05	2004/06



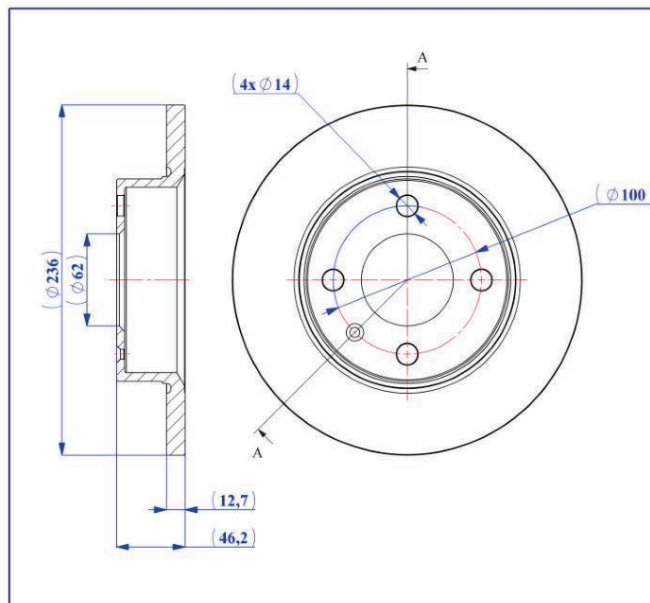
BRAKE DISC

FREN DISK

- Front Axle
- Solid

- OEM Standarts
- AYD Quality
- Safety
- Performance

OE:
6U0615301
2415019



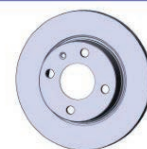
AYD
AUTOMOTIVE INDUSTRY

AYD NO
10-50307

MATERIAL
TYPE-1

WEIGHT
3.63 KG

BALANCING
100 %



10-50307

Technical Specifications:

Diameter (mm)	Height (mm)	Brake Disc Thickness (mm)	Min. Thickness (mm)	Centering Diameter (mm)	Bolt Hole Circle (mm)	Num. of Holes
236	46.2	12.7	11.4	62	100	4+1

SKODA

MODEL	START Y.	END Y.
FAVORIT (781)	1989/05	1994/09
FAVORIT Forman (785)	1988/06	1995/06
FAVORIT Pick-up (787)	1992/06	1997/06
FELICIA Cube Van (6U5)	1995/11	2001/12
FELICIA I (6U1)	1994/10	1998/03
FELICIA I Pick-up (6UF, 6U7)	1995/10	2002/04
FELICIA I Station wagon (6U5)	1995/07	1998/03
FELICIA II (6U1)	1998/01	2001/06
FELICIA II Station wagon (6U5)	1998/01	2001/06



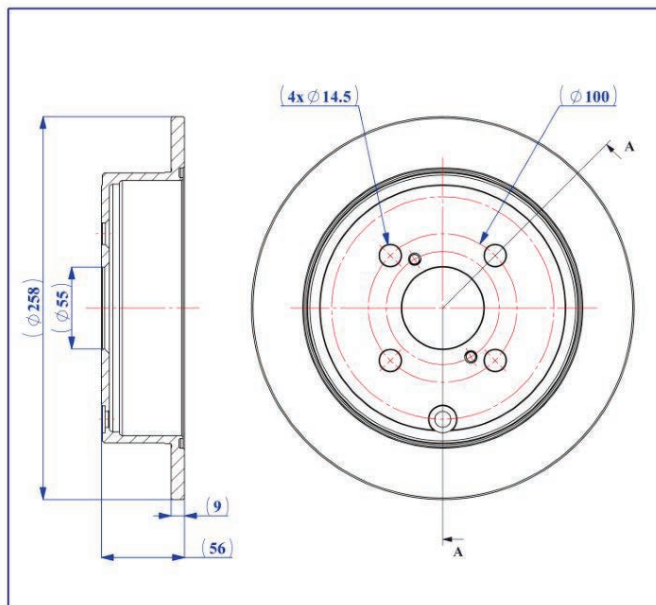
BRAKE DISC

FREN DISK

- Rear Axle
- Solid

- OEM Standarts
- AYD Quality
- Safety
- Performance

OE:
4243102070
4243102071



AYD[®]
AUTOMOTIVE INDUSTRY

AYD NO
10-50252

MATERIAL
TYPE-1

WEIGHT
3.54 KG

BALANCING
100 %



10-50252

Technical Specifications:

Diameter (mm)	Height (mm)	Brake Disc Thickness (mm)	Min. Thickness (mm)	Centering Diameter (mm)	Bolt Hole Circle (mm)	Num. of Holes
258	56	9	8	55	100	4+3

TOYOTA

MODEL	START Y.	END Y.
COROLLA (_E12_)	2001/01	2007/12
COROLLA Station wagon (_E12_)	2001/03	2008/12



BRAKE DISC

FREN DISK

- Front Axle
- Vented

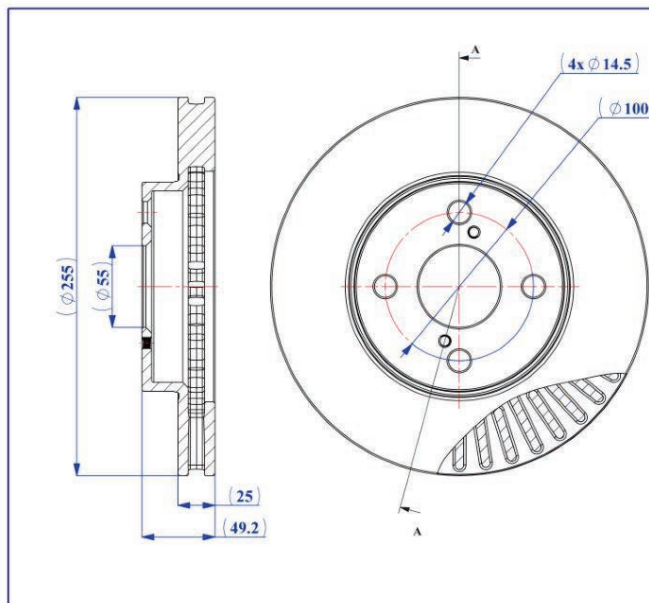
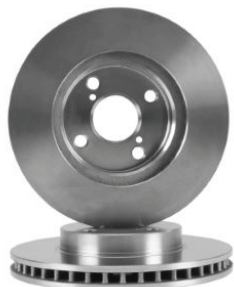
- OEM Standarts
- AYD Quality
- Safety
- Performance

OE:

4351212620

4351202070

4351202060



AYD
AUTOMOTIVE INDUSTRY

AYD NO
10-50328

MATERIAL
TYPE-1

WEIGHT
5.17 KG

BALANCING
100 %



10-50328

Technical Specifications:

Diameter (mm)	Height (mm)	Brake Disc Thickness (mm)	Min. Thickness (mm)	Centering Diameter (mm)	Bolt Hole Circle (mm)	Num. of Holes
255	49.2	25	23	55	100	4+2

TOYOTA

MODEL	START Y.	END Y.
COROLLA (_E12_)	2001/01	2007/12
COROLLA Sedan (_E12_)	2000/08	2008/03
COROLLA Station wagon (_E12_)	2001/03	2008/12
COROLLA Verso (_E12_)	2001/07	2007/05
PRIUS Sedan (_W1_)	2000/05	2004/01



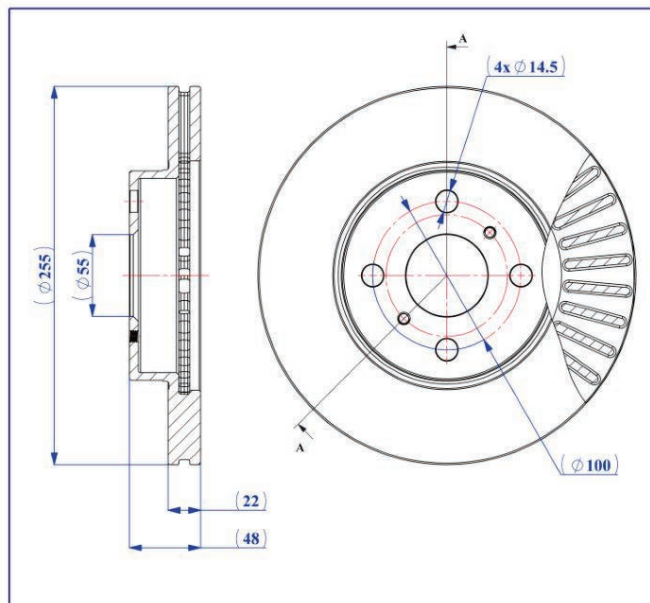
BRAKE DISC

FREN DISK

- Front Axle
- Vented

- OEM Standarts
- AYD Quality
- Safety
- Performance

OE:
4351212550
4351202040



AYD
AUTOMOTIVE INDUSTRY

AYD NO
10-50364

MATERIAL
TYPE-1

WEIGHT
4.88 KG

BALANCING
100 %



10-50364

Technical Specifications:

Diameter (mm)	Height (mm)	Brake Disc Thickness (mm)	Min. Thickness (mm)	Centering Diameter (mm)	Bolt Hole Circle (mm)	Num. of Holes
255	48	22	20	55	100	4+2

TOYOTA

MODEL	START Y.	END Y.
COROLLA (_E10_)	1991/06	1999/11
COROLLA (_E11_)	1995/06	2002/06
COROLLA Compact (_E10_)	1992/05	1999/12
COROLLA Compact (_E11_)	1997/04	2002/01
COROLLA Liftback (_E10_)	1992/05	1999/12
COROLLA Liftback (_E11_)	1997/04	2002/01
COROLLA Liftback (_E9_)	1987/05	1997/04
COROLLA Station wagon (_E10_)	1991/09	1998/04
COROLLA Station wagon (_E11_)	1997/04	2001/10
PRIUS Sedan (_W1_)	2000/05	2004/01

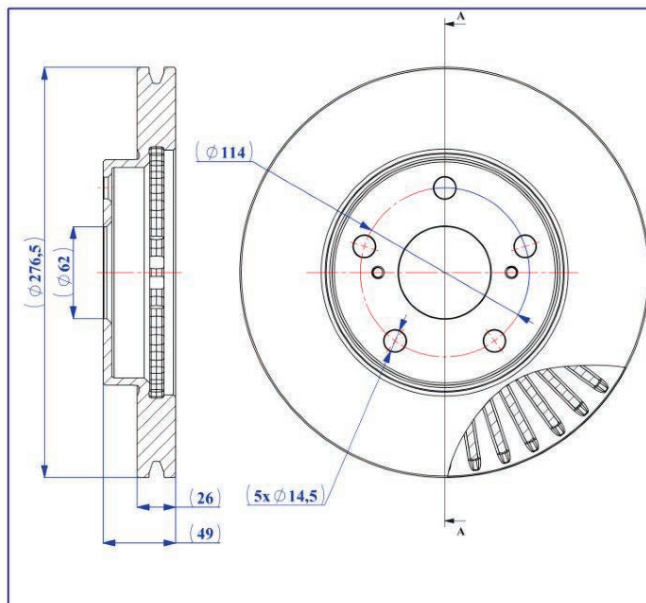


BRAKE DISC

FREN DISK

- Front Axle
- Vented

- OEM Standarts
- AYD Quality
- Safety
- Performance



AYD NO
10-50397

MATERIAL
TYPE-1

WEIGHT
6.24 KG

BALANCING
100 %



OE:
4351202330

10-50397

Technical Specifications:

Diameter (mm)	Height (mm)	Brake Disc Thickness (mm)	Min. Thickness (mm)	Centering Diameter (mm)	Bolt Hole Circle (mm)	Num. of Holes
276.5	49	26	24	62	114	5+2

TOYOTA

MODEL	START Y.	END Y.
AURIS (_E18_)	2012/10	2018/12
AURIS Station wagon (_E18_)	2013/07	2018/12
COROLLA Sedan (_E18_, ZRE1_)	2013/06	2019/08



BRAKE DISC

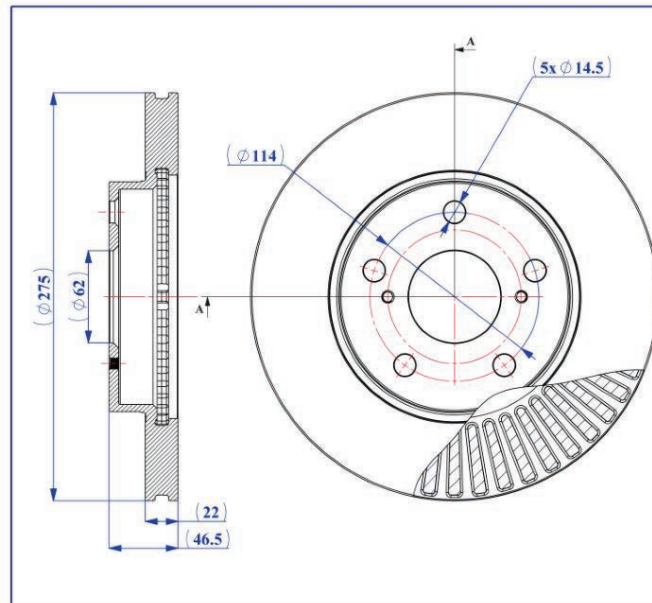
FREN DISK

- Front Axle
- Vented

- OEM Standarts
- AYD Quality
- Safety
- Performance

OE:
4351212670

10-50416



AYD
AUTOMOTIVE INDUSTRY

AYD NO
10-50416

MATERIAL
TYPE-1

WEIGHT
5.66 KG

BALANCING
100 %



Technical Specifications:

Diameter (mm)	Height (mm)	Brake Disc Thickness (mm)	Min. Thickness (mm)	Centering Diameter (mm)	Bolt Hole Circle (mm)	Num. of Holes
275	46.5	22	19	62	114	5+2

TOYOTA

MODEL	START Y.	END Y.
AURIS (_E15_)	2006/10	2012/09
COROLLA Sedan (_E15_)	2006/10	
COROLLA Sedan (_E18_, ZRE1_)	2013/06	2019/08



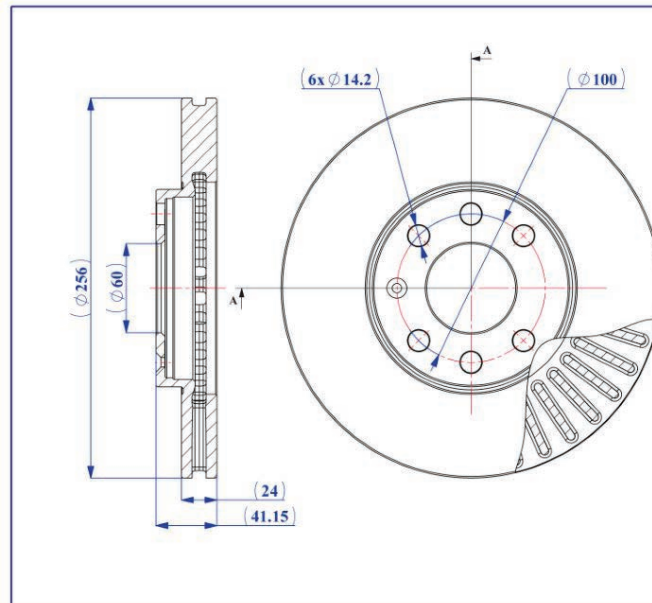
BRAKE DISC

FREN DISK

- Front Axle
- Vented

- OEM Standarts
- AYD Quality
- Safety
- Performance

OE:
95526647
9117677
90497879



AYD[®]
AUTOMOTIVE INDUSTRY

AYD NO
10-50191

MATERIAL
TYPE-1

WEIGHT
5.13 KG

BALANCING
100 %



10-50191

Technical Specifications:

Diameter (mm)	Height (mm)	Brake Disc Thickness (mm)	Min. Thickness (mm)	Centering Diameter (mm)	Bolt Hole Circle (mm)	Num. of Holes
256	41.15	24	21	60	100	6+1

VAUXHALL

MODEL	START Y.	END Y.
ASTRA Mk III (F) Hatchback (T92)	1991/09	1998/02
ASTRA Mk III (F) Sedan (T92)	1991/09	1998/09
ASTRA Mk IV (G) Cabrio (T98)	2001/03	2005/10
ASTRA Mk IV (G) Coupe (T98)	2000/03	2005/08
ASTRA Mk IV (G) Hatchback (T98)	1998/02	2005/05
ASTRA Mk IV (G) Sedan (T98)	1998/02	2005/05
ASTRA Mk IV (G) Station wagon (T98)	1998/02	2005/05
ASTRAVAN Mk IV (G) van (T98)	1993/01	2006/08
ZAFIRA A (T98)	1998/11	2005/08

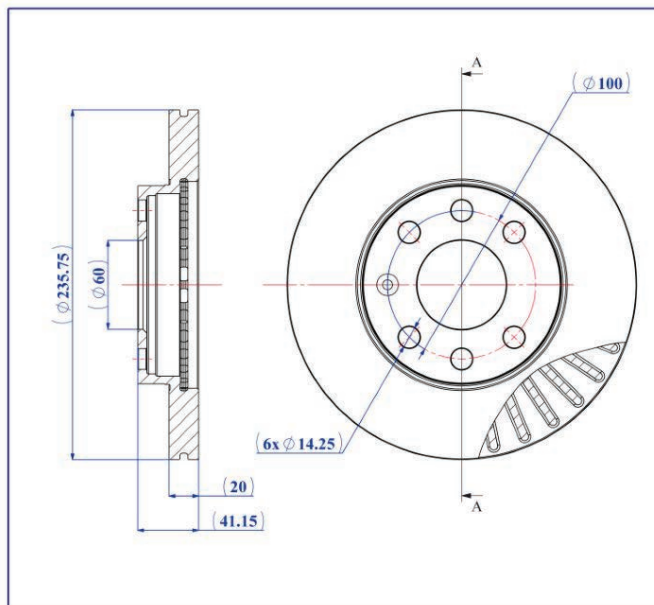
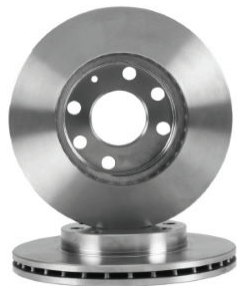


BRAKE DISC

FREN DISK

- Front Axle
- Vented

- OEM Standarts
- AYD Quality
- Safety
- Performance



AYD
AUTOMOTIVE INDUSTRY

AYD NO
10-50233

MATERIAL
TYPE-1

WEIGHT
4.11 KG

BALANCING
100 %



OE:
90008006

10-50233

Technical Specifications:

Diameter (mm)	Height (mm)	Brake Disc Thickness (mm)	Min. Thickness (mm)	Centering Diameter (mm)	Bolt Hole Circle (mm)	Num. of Holes
235.75	41.15	20	17	60	100	6+1

VAUXHALL

MODEL	START Y.	END Y.
ASTRA Mk II Belmont (T85)	1985/09	1991/12
ASTRA Mk III (F) Cabrio (T92)	1991/09	2001/03
ASTRA Mk III (F) Hatchback (T92)	1991/09	1998/02
ASTRA Mk III (F) Sedan (T92)	1991/09	1998/09
ASTRA Mk III (F) Station wagon (T92)	1991/03	1998/12
ASTRAMAX (T85)	1985/08	1994/10
ASTRAVAN Mk III (F) van (T92)	1991/01	1998/08
CAVALIER Mk II Hatchback (J82)	1981/09	1988/08
CAVALIER Mk II Sedan (J82)	1981/09	1988/08
CAVALIER Mk III Hatchback (J89)	1988/09	1995/11
CAVALIER Mk III Sedan (J89)	1988/08	1995/11



BRAKE DISC

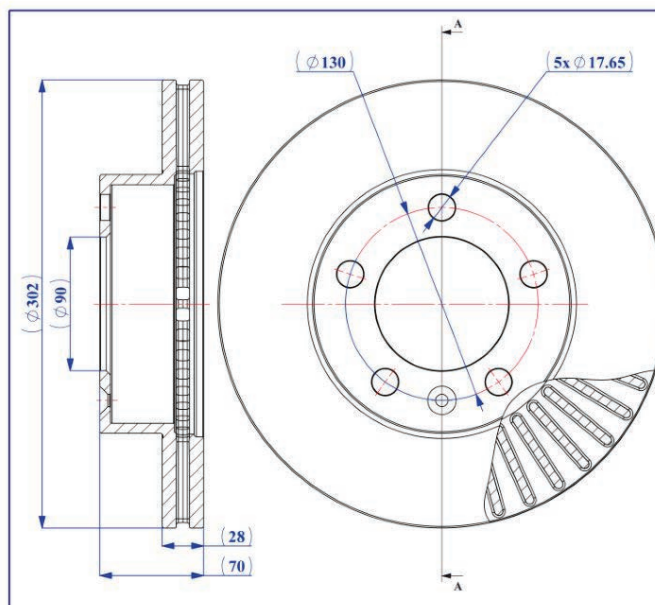
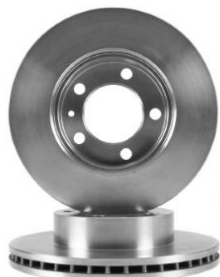
FREN DISK

- Front Axle
- Vented

- OEM Standarts
- AYD Quality
- Safety
- Performance

OE:
93197403

10-50267



AYD NO
10-50267

MATERIAL
TYPE-1

WEIGHT
9.24 KG

BALANCING
100 %



Technical Specifications:

Diameter (mm)	Height (mm)	Brake Disc Thickness (mm)	Min. Thickness (mm)	Centering Diameter (mm)	Bolt Hole Circle (mm)	Num. of Holes
302	70	28	24.5	90	130	5+1

VAUXHALL

MODEL	START Y.	END Y.
MOVANO Mk II (B) Chassis/Cab (X62)	2010/05	
MOVANO Mk II (B) Combi (X62)	2010/05	
MOVANO Mk II (B) VAN (X62)	2010/05	

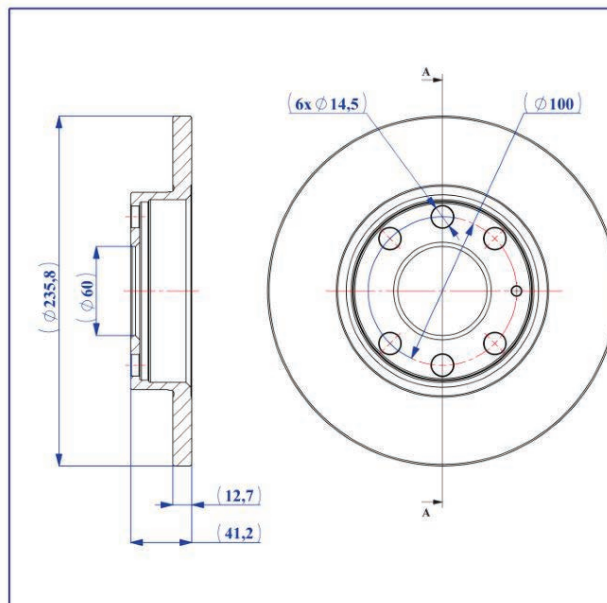
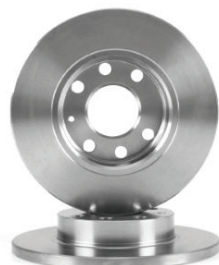


BRAKE DISC

FREN DISK

- Front Axle
- Solid

- OEM Standarts
- AYD Quality
- Safety
- Performance



AYD NO
10-50350

MATERIAL
TYPE-1

WEIGHT
3.62 KG

BALANCING
100 %



OE:
569020

10-50350

Technical Specifications:

Diameter (mm)	Height (mm)	Brake Disc Thickness (mm)	Min. Thickness (mm)	Centering Diameter (mm)	Bolt Hole Circle (mm)	Num. of Holes
235.8	41.2	12.7	9.7	60	100	6+1

VAUXHALL

MODEL	START Y.	END Y.
ASTRA Mk II Belmont (T85)	1985/09	1991/12
ASTRA Mk II Hatchback (T85)	1984/09	1991/08
ASTRA Mk II Station wagon (T85)	1984/09	1991/08
ASTRA Mk III (F) Cabrio (T92)	1991/09	2001/03
ASTRA Mk III (F) Hatchback (T92)	1991/09	1998/02
ASTRA Mk III (F) Sedan (T92)	1991/09	1998/09
ASTRA Mk III (F) Station wagon (T92)	1991/03	1998/12
ASTRA Station wagon	1979/09	1986/08
ASTRAMAX (T85)	1985/08	1994/10
ASTRAVAN Mk III (F) van (T92)	1991/01	1998/08
CAVALIER Mk II Hatchback (J82)	1981/09	1988/08



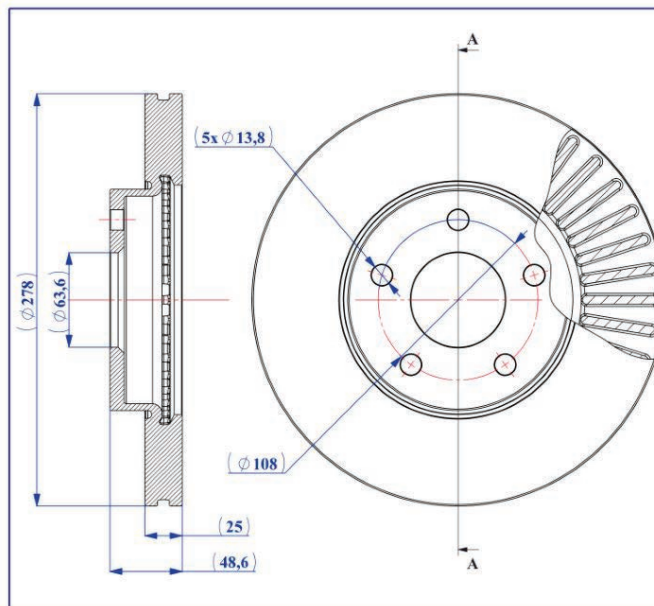
BRAKE DISC

FREN DISK

- Front Axle
- Vented

- OEM Standarts
- AYD Quality
- Safety
- Performance

OE:
274509
31262718
31362411



AYD
AUTOMOTIVE INDUSTRY

AYD NO
10-50170

MATERIAL
TYPE-1

WEIGHT
7.09 KG

BALANCING
100 %



10-50170

Technical Specifications:

Diameter (mm)	Height (mm)	Brake Disc Thickness (mm)	Min. Thickness (mm)	Centering Diameter (mm)	Bolt Hole Circle (mm)	Num. of Holes
278	48.6	25	23	63.6	108	5

VOLVO

MODEL	START Y.	END Y.
C30 (533)	2006/09	2013/12
C70 II Cabrio (542)	2006/03	2013/12
S40 II (544)	2003/12	2012/12
V40 Hatchback (525, 526)	2012/03	
V50 (545)	2003/12	2012/12



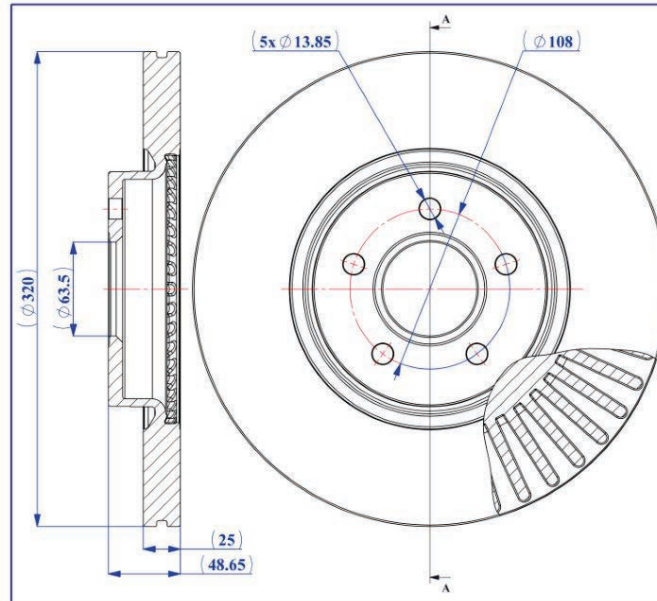
BRAKE DISC

FREN DISK

- Front Axle
- Vented

- OEM Standarts
- AYD Quality
- Safety
- Performance

OE:
274521
31262720
31302573



AYD
AUTOMOTIVE INDUSTRY

AYD NO 10-50309
MATERIAL TYPE-1
WEIGHT 9.65 KG
BALANCING 100 %

10-50309

Technical Specifications:

Diameter (mm)	Height (mm)	Brake Disc Thickness (mm)	Min. Thickness (mm)	Centering Diameter (mm)	Bolt Hole Circle (mm)	Num. of Holes
320	48.65	25	23	63.5	108	5

VOLVO

MODEL	START Y.	END Y.
C70 II Cabrio (542)	2006/03	2013/12
S40 II (544)	2003/12	2012/12
V40 (525, 526)	2013/09	2015/12
V40 Hatchback (525, 526)	2012/03	
V50 (545)	2003/12	2012/12



BRAKE DISC

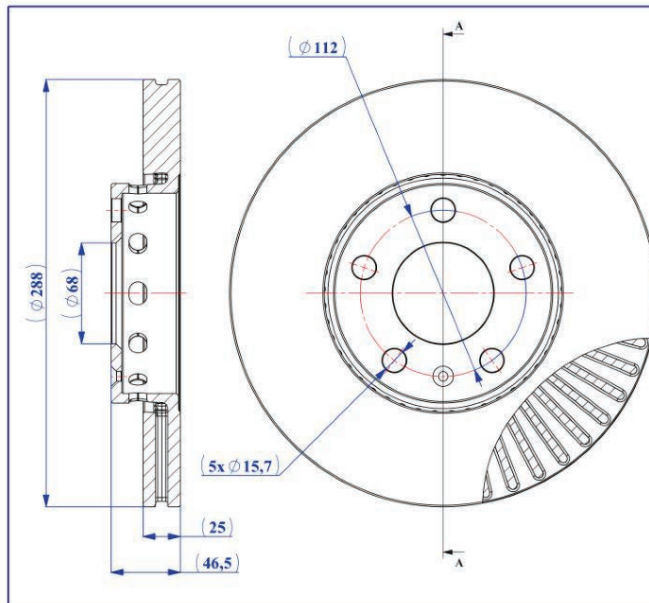
FREN DISK

- Front Axle
- Vented

- OEM Standarts
- AYD Quality
- Safety
- Performance

OE:
4A0615301C

10-50187



AYD
AUTOMOTIVE INDUSTRY

AYD NO
10-50187

MATERIAL
TYPE-1

WEIGHT
7.59 KG

BALANCING
100 %



Technical Specifications:

Diameter (mm)	Height (mm)	Brake Disc Thickness (mm)	Min. Thickness (mm)	Centering Diameter (mm)	Bolt Hole Circle (mm)	Num. of Holes
288	46.5	25	23	68	112	5+1

VW

MODEL	START Y.	END Y.
PASSAT B5 (3B2)	1996/08	2001/12
PASSAT B5 Variant (3B5)	1997/05	2001/12
PASSAT B5.5 (3B3)	2000/10	2005/12
PASSAT B5.5 Variant (3B6)	2000/09	2005/08



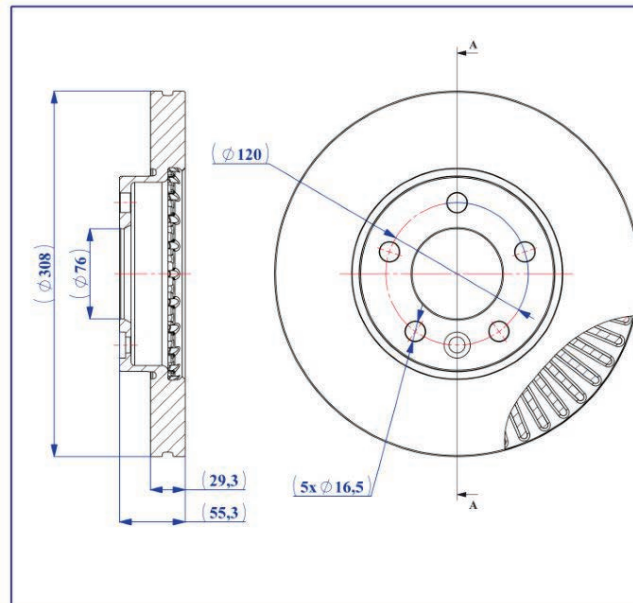
BRAKE DISC

FREN DISK

- Front Axle
- Vented

- OEM Standarts
- AYD Quality
- Safety
- Performance

OE:
7H0615301D
JZW615301E
7E0615301D



AYD NO
10-50204

MATERIAL
TYPE-1

WEIGHT
10.25 KG

BALANCING
100 %



10-50204

Technical Specifications:

Diameter (mm)	Height (mm)	Brake Disc Thickness (mm)	Min. Thickness (mm)	Centering Diameter (mm)	Bolt Hole Circle (mm)	Num. of Holes
308	55.3	29.3	25.5	76	120	5+1

VW

MODEL	START Y.	END Y.
MULTIVAN V (7HM, 7HN, 7HF, 7EF, 7EM, 7EN)	2003/04	2015/08
MULTIVAN VI (SGF, SGM, SGN, SHM, SHN)	2015/04	
TOUAREG (7LA, 7L6, 7L7)	2002/10	2013/01
TRANSPORTER / CARAVELLE VI Minibus/Bus	2015/04	
TRANSPORTER V Minibus/Bus (7HB, 7HJ, 7EB,	2003/04	2015/08
TRANSPORTER V Panelvan/Van (7HA, 7HH, 7EA,	2003/04	
TRANSPORTER V Platform (7JD, 7JE, 7JL, 7JY,	2003/04	2015/08
TRANSPORTER VI Panelvan/Van (SGA, SGH, SHA,	2015/04	
TRANSPORTER VI Platform (SFD, SFE, SFL, SFZ,	2015/04	



BRAKE DISC

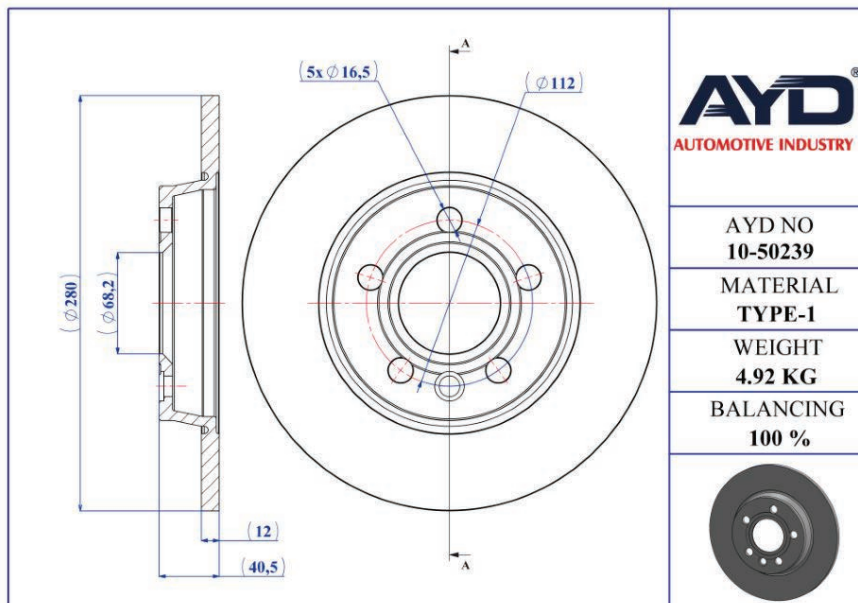
FREN DISK

- Rear Axle
- Solid

- OEM Standarts
- AYD Quality
- Safety
- Performance

OE:

701615601
7D0615601B
701615601A



AYD[®]
AUTOMOTIVE INDUSTRY

AYD NO
10-50239

MATERIAL
TYPE-1

WEIGHT
4.92 KG

BALANCING
100 %



10-50239

Technical Specifications:

Diameter (mm)	Height (mm)	Brake Disc Thickness (mm)	Min. Thickness (mm)	Centering Diameter (mm)	Bolt Hole Circle (mm)	Num. of Holes
280	40.5	12	10	68.2	112	5+1

VW

MODEL	START Y.	END Y.
TRANSPORTER IV Minibus/Bus (70B, 70C, 7DB,	1990/09	2004/08
TRANSPORTER IV Panelvan/Van (70A, 70H, 7DA,	1990/07	2003/04
TRANSPORTER IV Platform (70E, 70L, 70M, 7DE,	1990/07	2003/04



BRAKE DISC

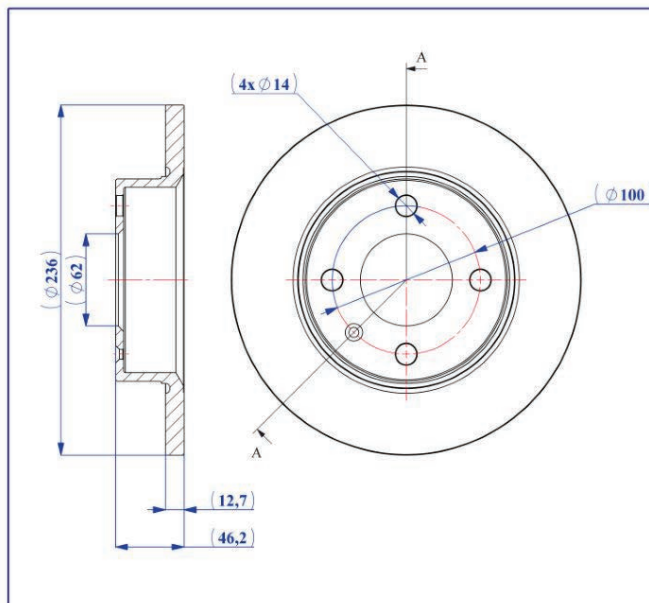
FREN DISK

- Front Axle
- Solid

- OEM Standarts
- AYD Quality
- Safety
- Performance

OE:
6U0698101

10-50307



AYD
AUTOMOTIVE INDUSTRY

AYD NO
10-50307

MATERIAL
TYPE-1

WEIGHT
3.63 KG

BALANCING
100 %



Technical Specifications:

Diameter (mm)	Height (mm)	Brake Disc Thickness (mm)	Min. Thickness (mm)	Centering Diameter (mm)	Bolt Hole Circle (mm)	Num. of Holes
236	46.2	12.7	11.4	62	100	4+1

VW

MODEL	START Y.	END Y.
CADDY II Pick-up (9U7)	1996/06	2000/12



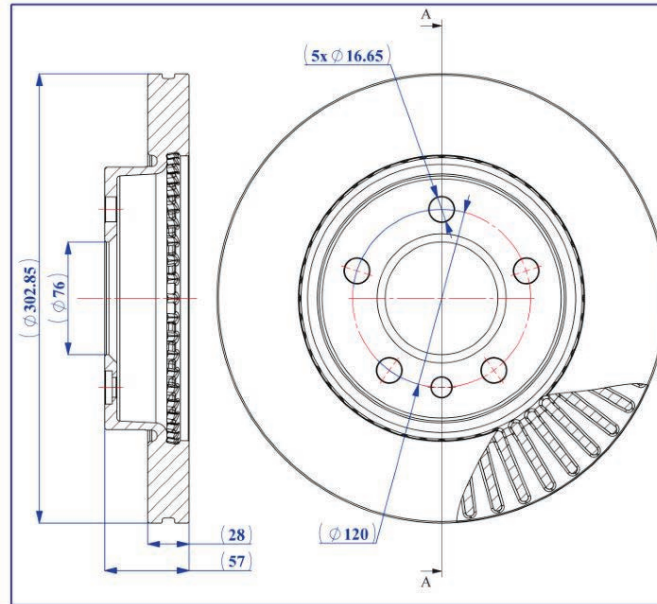
BRAKE DISC

FREN DISK

- Front Axle
- Vented

- OEM Standarts
- AYD Quality
- Safety
- Performance

OE:
2H0615301A
2H0615301D
2H0615301A



AYD
AUTOMOTIVE INDUSTRY

AYD NO
10-50528

MATERIAL
TYPE-1

WEIGHT
8.75 KG

BALANCING
100 %



10-50528

Technical Specifications:

Diameter (mm)	Height (mm)	Brake Disc Thickness (mm)	Min. Thickness (mm)	Centering Diameter (mm)	Bolt Hole Circle (mm)	Num. of Holes
302.85	57	28	26	76	120	5+1

VW

MODEL	START Y.	END Y.
AMAROK (2HA, 2HB, S1B, S6B, S7A, S7B)	2010/09	
AMAROK Platform (S1B, S6B, S7B)	2011/09	

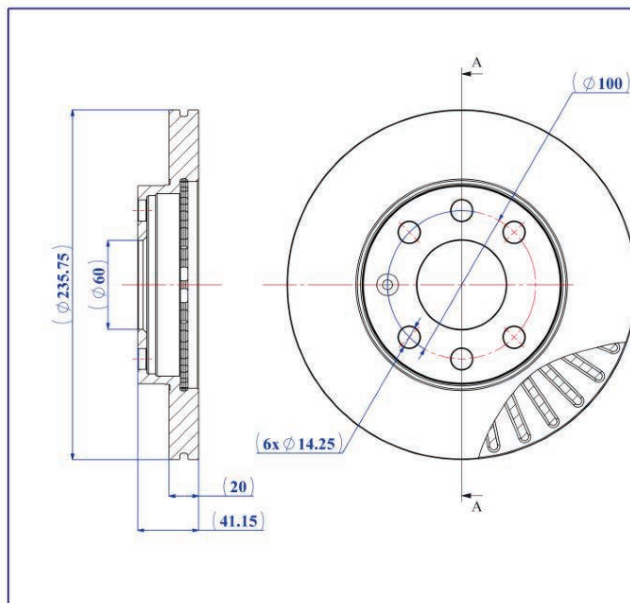


BRAKE DISC

FREN DISK

- Front Axle
- Vented

- OEM Standarts
- AYD Quality
- Safety
- Performance



AYD
AUTOMOTIVE INDUSTRY

AYD NO
10-50233

MATERIAL
TYPE-1

WEIGHT
4.11 KG

BALANCING
100 %



OE:
P90121445

10-50233

Technical Specifications:

Diameter (mm)	Height (mm)	Brake Disc Thickness (mm)	Min. Thickness (mm)	Centering Diameter (mm)	Bolt Hole Circle (mm)	Num. of Holes
235.75	41.15	20	17	60	100	6+1

ZAZ

MODEL	START Y.	END Y.
SENS (TF_)	2004/10	

