

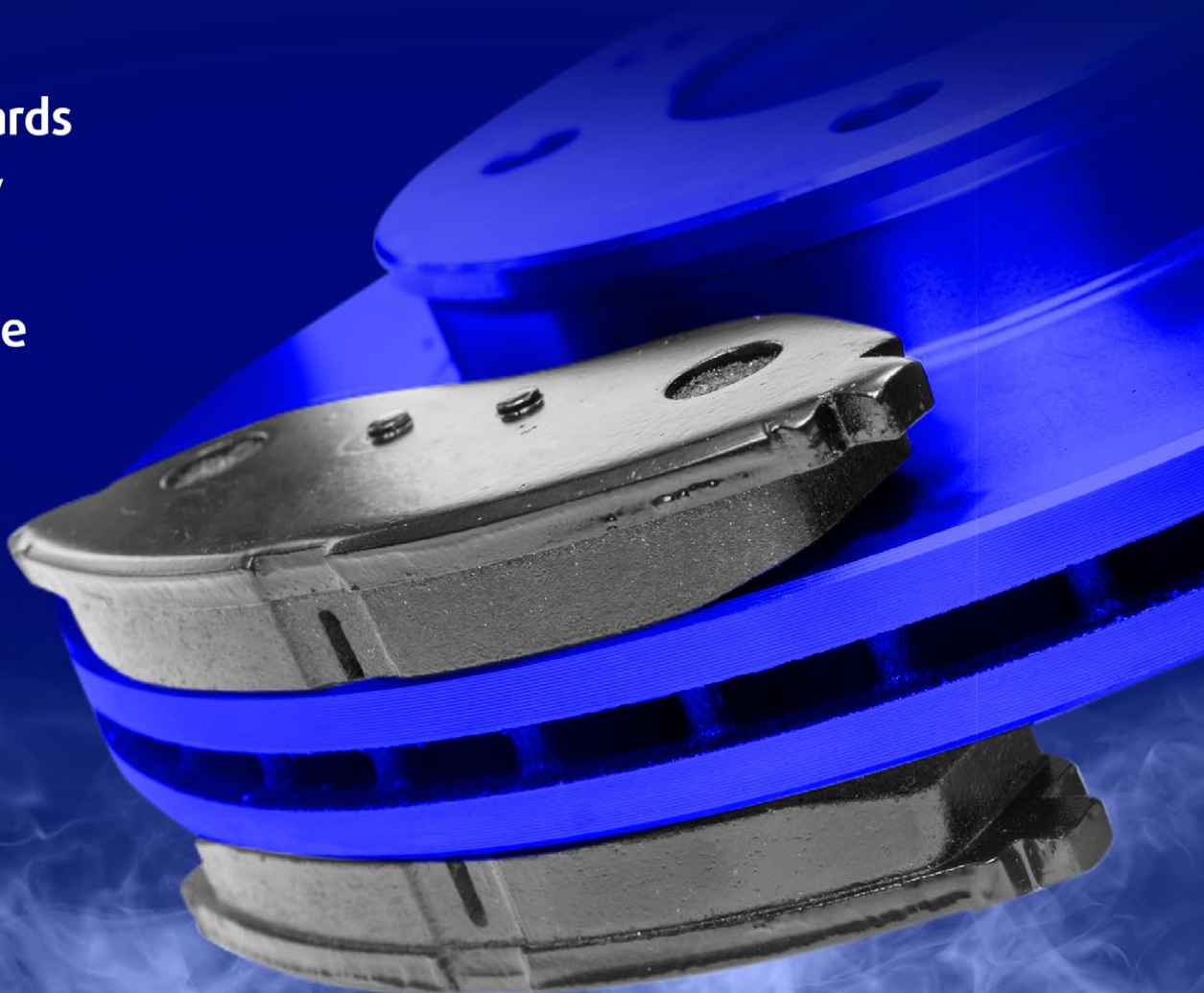
new to range

AYD[®]
AUTOMOTIVE INDUSTRY

THANKS TO AYD POWER AND ALL UNDER ONE ROOF STRATEGY

BRAKE WITH CONFIDENCE

OEM Standards
AYD Quality
Safety
Performance



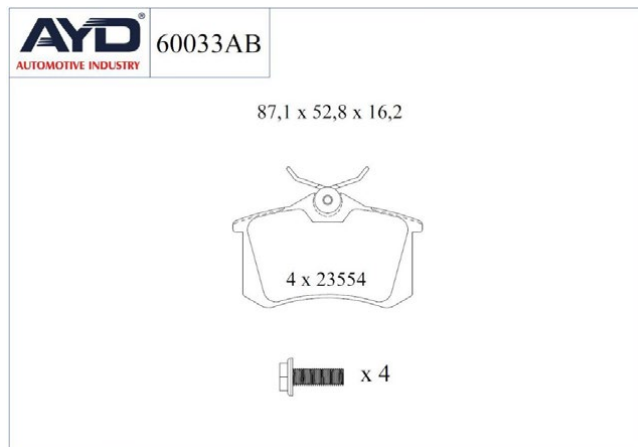
INDEX

CITROEN	3-5
DACIA	6
DODGE	7
FIAT	8
HYUNDAI	9
LADA	10
LIFAN	11
MERCEDES BENZ	12-14
NISSAN	15-19
OPEL	20-23
PEUGEOT	24-27
RENAULT	28-36
TOYOTA	37-38
VAUXHALL	39-41
VOLKSWAGEN	42

BRAKE PAD

• Rear Axle

- OEM Standarts
- AYD Quality
- Safety
- Performance



OE:
1631831780-M1

11-60033AB

WVA :23554

Technical Specifications:

Shim	Wear Indicator	Indicator Type	Piston Spring	Compression Spring	Rivet	Clips	Bolt	Plastic Plug	Kit
4	-		-	4	-	-	4	-	-

CITROËN

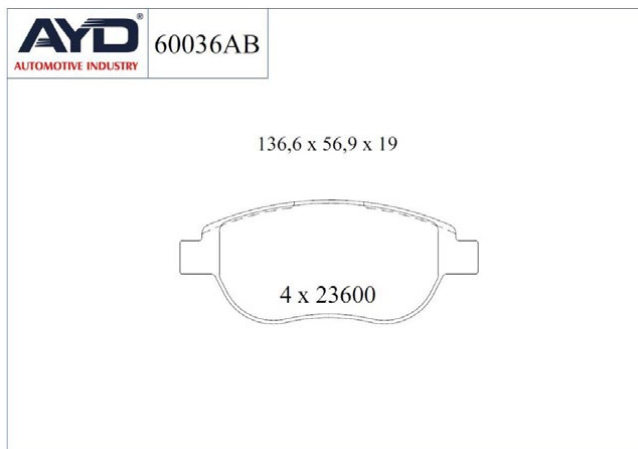
MODEL	START D.	END Y.
C3 AIRCROSS II (2R_, 2C_)	2017/06	
C3 AIRCROSS II Van (2C_, 2R_)	2017/06	
C3 II (SC_)	2009/09	
C3 II a (SC_)	2010/06	
C3 III (SX)	2016/07	
C4 CACTUS	2014/09	
C4 CACTUS Van (0B_, 0P_)	2014/09	



BRAKE PAD

• Front Axle

- OEM Standarts
- AYD Quality
- Safety
- Performance



OE:
425222-M

11-60036AB

WVA :23600

Technical Specifications:

Shim	Wear Indicator	Indicator Type	Piston Spring	Compression Spring	Rivet	Clips	Bolt	Plastic Plug	Kit
4	-		-	-	-	-	-	-	-

CITROËN

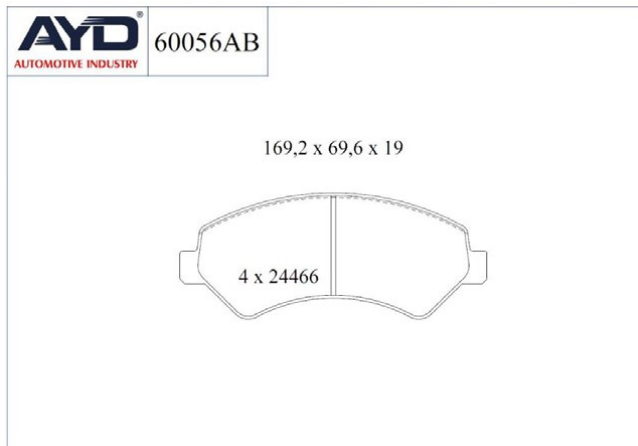
MODEL	START D.	END Y.
C3 I (FC_, FN_)	2002/02	
C4 Coupe (LA_)	2004/11	2013/12
C4 I (LC_)	2004/11	2014/11
C4 I Sedan	2006/07	
XSARA (N1)	1997/04	2005/12
XSARA Break (N2)	1997/10	2010/03
XSARA Coupe (N0)	1998/01	2005/04
XSARA PICASSO (N68)	1999/09	2012/06



BRAKE PAD

• Front Axle

- OEM Standarts
- AYD Quality
- Safety
- Performance



OE:
1612433680-M

11-60056AB

WVA :24466-24467

Technical Specifications:

Shim	Wear Indicator	Indicator Type	Piston Spring	Compression Spring	Rivet	Clips	Bolt	Plastic Plug	Kit
4	-		-	-	-	-	-	-	-

CITROËN

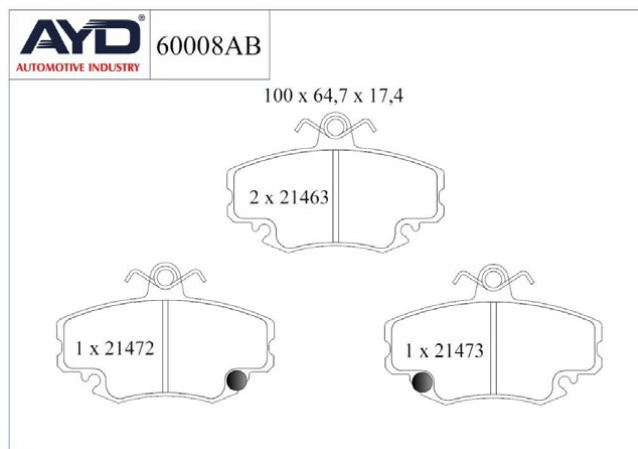
MODEL	START D.	END Y.
JUMPER	2006/04	
JUMPER Van	2006/04	
JUMPER Van (244)	2002/04	
JUMPER Platform	2006/04	



BRAKE PAD

• Front Axle

- OEM Standarts
- AYD Quality
- Safety
- Performance



OE:

6001547619

6001547911

7701207066

11-60008AB

WVA :21463-21472-21473

Technical Specifications:

Shim	Wear Indicator	Indicator Type	Piston Spring	Compression Spring	Rivet	Clips	Bolt	Plastic Plug	Kit
–	2	Cable	–	4	4	–	–	–	–

DACIA

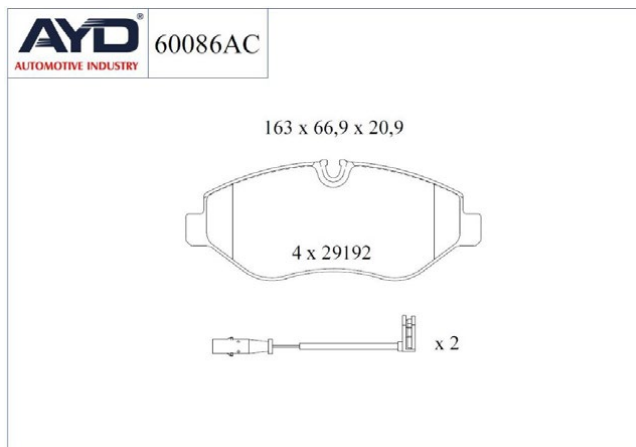
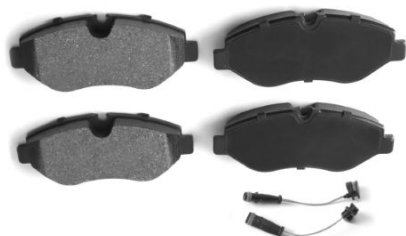
MODEL	START D.	END Y.
LOGAN (LS_)	2004/08	
LOGAN MCV (KS_)	2007/02	
SANDERO	2008/06	
SOLENZA (B41_)	2003/02	
SUPERNOVA	2000/04	2003/03



BRAKE PAD

• Front Axle

- OEM Standarts
- AYD Quality
- Safety
- Performance



OE:
2E0698151-M2

11-60086AC

WVA :29192

Technical Specifications:

Shim	Wear Indicator	Indicator Type	Piston Spring	Compression Spring	Rivet	Clips	Bolt	Plastic Plug	Kit
4	2	Cable	-	-	-	-	-	-	-

DODGE

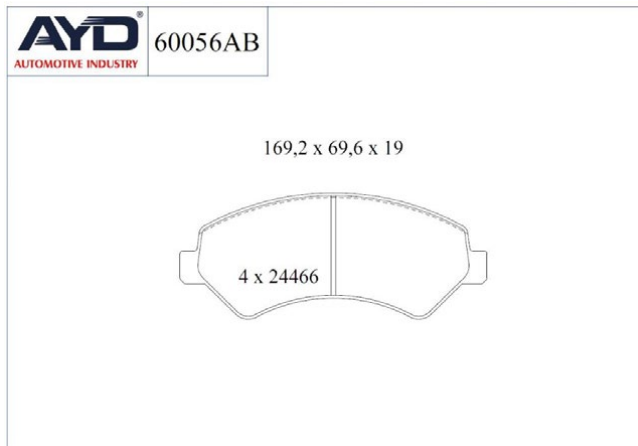
MODEL	START D.	END Y.
SPRINTER 2500 Standard Cargo Van	2005/09	2010/12
SPRINTER 2500 Standard Passenger Van	2006/09	2010/12
SPRINTER 3500 Cab & Chassis	2006/09	2010/12
SPRINTER 3500 Standard Cargo Van	2006/09	2010/12
SPRINTER 3500 Standard Passenger Van	2006/09	2010/12



BRAKE PAD

• Front Axle

- OEM Standarts
- AYD Quality
- Safety
- Performance



OE:
71773145-M

11-60056AB

WVA :24466-24467

Technical Specifications:

Shim	Wear Indicator	Indicator Type	Piston Spring	Compression Spring	Rivet	Clips	Bolt	Plastic Plug	Kit
4	-		-	-	-	-	-	-	-

FIAT

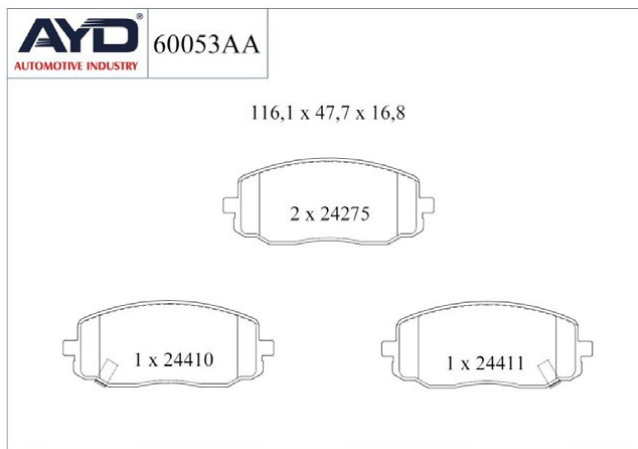
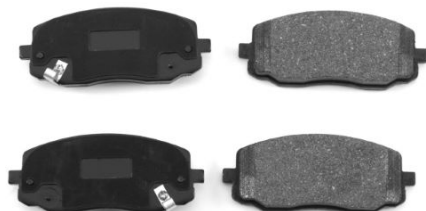
MODEL	START D.	END Y.
DUCATO (250_, 290_)	2006/07	
DUCATO (250_, 290_)	2006/07	
DUCATO Platform (250_, 290_)	2006/07	



BRAKE PAD

• Front Axle

- OEM Standarts
- AYD Quality
- Safety
- Performance



OE:
581010XA10
581010XA01

11-60053AA

WVA :24275-24410-24411

Technical Specifications:

Shim	Wear Indicator	Indicator Type	Piston Spring	Compression Spring	Rivet	Clips	Bolt	Plastic Plug	Kit
4	2	Metal	-	-	-	-	-	-	-

HYUNDAI

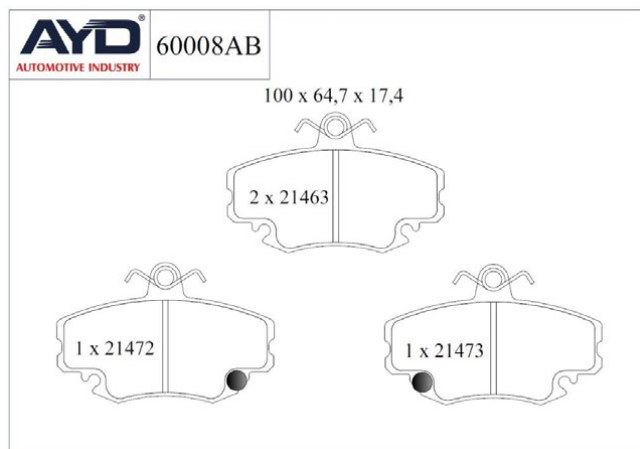
MODEL	START D.	END Y.
i10 I (PA)	2007/10	
i10 II Sedan	2013/12	



BRAKE PAD

• Front Axle

- OEM Standarts
- AYD Quality
- Safety
- Performance



OE:
7701202284

11-60008AB

WVA :21463-21472-21473

Technical Specifications:

Shim	Wear Indicator	Indicator Type	Piston Spring	Compression Spring	Rivet	Clips	Bolt	Plastic Plug	Kit
–	2	Cable	–	4	4	–	–	–	–

LADA

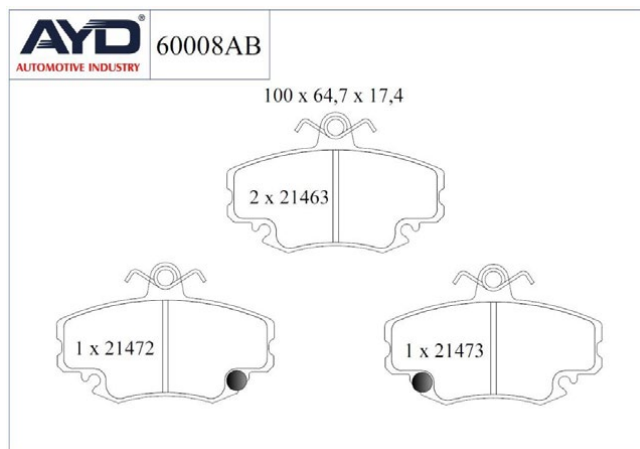
MODEL	START D.	END Y.
LARGUS Combi van (KS0_, RS0_, KSA_)	2012/03	
LARGUS Panelvan/Van (FS0_, FSA_)	2012/03	



BRAKE PAD

• Front Axle

- OEM Standarts
- AYD Quality
- Safety
- Performance



OE:
L3501102

11-60008AB

WVA :21463-21472-21473

Technical Specifications:

Shim	Wear Indicator	Indicator Type	Piston Spring	Compression Spring	Rivet	Clips	Bolt	Plastic Plug	Kit
–	2	Cable	–	4	4	–	–	–	–

LIFAN

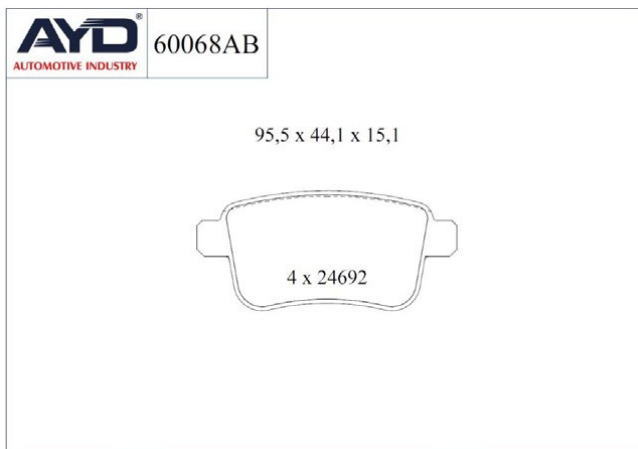
MODEL	START D.	END Y.
520i	2006/04	



BRAKE PAD

• Rear Axle

- OEM Standarts
- AYD Quality
- Safety
- Performance



OE:
4154210410-M

11-60068AB

WVA :24692

Technical Specifications:

Shim	Wear Indicator	Indicator Type	Piston Spring	Compression Spring	Rivet	Clips	Bolt	Plastic Plug	Kit
-	-		-	-	-	-	-	-	-

MERCEDES-BENZ

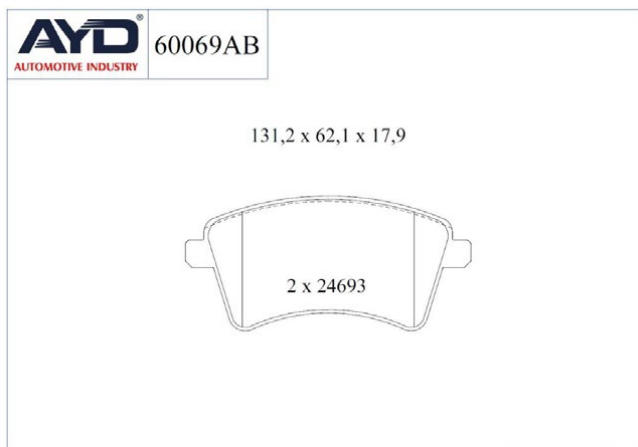
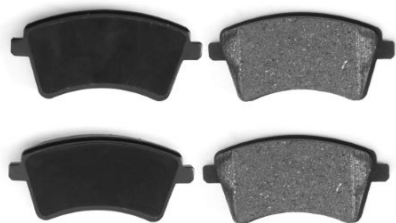
MODEL	START D.	END Y.
CITAN (W415)	2012/11	
CITAN Mixto (Double Cabin) (W415)	2012/11	
CITAN MPV (415)	2012/11	



BRAKE PAD

• Front Axle

- OEM Standarts
- AYD Quality
- Safety
- Performance



OE:
4154210610-M

11-60069AB

WVA :24693

Technical Specifications:

Shim	Wear Indicator	Indicator Type	Piston Spring	Compression Spring	Rivet	Clips	Bolt	Plastic Plug	Kit
-	-		-	-	-	-	-	-	-

MERCEDES-BENZ

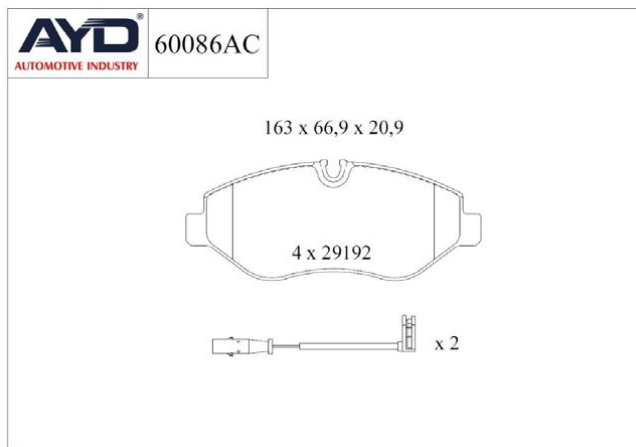
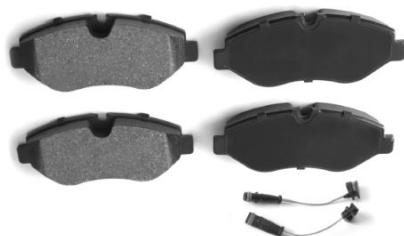
MODEL	START D.	END Y.
CITAN (W415)	2012/11	
CITAN Mixto (Double Cabin) (W415)	2012/11	
CITAN MPV (415)	2012/11	



BRAKE PAD

• Front Axle

- OEM Standarts
- AYD Quality
- Safety
- Performance



OE:
0044208320-M2

11-60086AC

WVA :29192

Technical Specifications:

Shim	Wear Indicator	Indicator Type	Piston Spring	Compression Spring	Rivet	Clips	Bolt	Plastic Plug	Kit
4	2	Cable	-	-	-	-	-	-	-

MERCEDES-BENZ

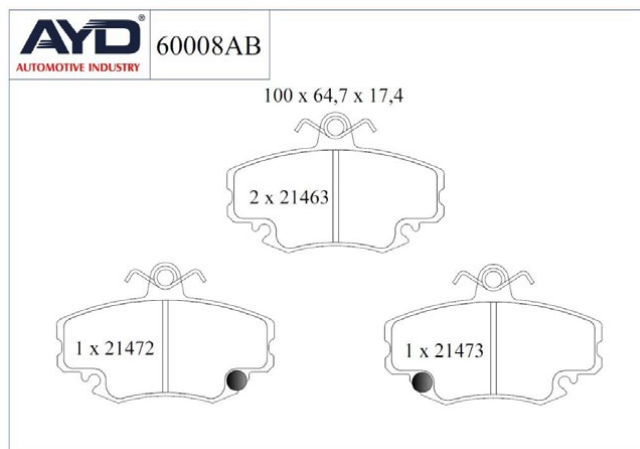
MODEL	START D.	END Y.
MARCO POLO Camper (W447)	2015/03	
SPRINTER 3-t (B906)	2006/06	
SPRINTER 3-t Panelvan/Van (B906)	2006/06	
SPRINTER 3-t Platform (B906)	2006/06	
SPRINTER 3-t Tourer Bus (B907)	2018/02	
SPRINTER 3,5-t (B906)	2006/06	
SPRINTER 3,5-t Panelvan/Van (B906)	2006/06	
SPRINTER 3,5-t Panelvan/Van (B907, B910)	2018/02	
SPRINTER 3,5-t Platform (B906)	2006/06	
SPRINTER 3,5-t Platform (B907, B910)	2018/02	



BRAKE PAD

• Front Axle

- OEM Standarts
- AYD Quality
- Safety
- Performance



OE:

11-60008AB

WVA :21463-21472-21473

Technical Specifications:

Shim	Wear Indicator	Indicator Type	Piston Spring	Compression Spring	Rivet	Clips	Bolt	Plastic Plug	Kit
–	2	Cable	–	4	4	–	–	–	–

NISSAN

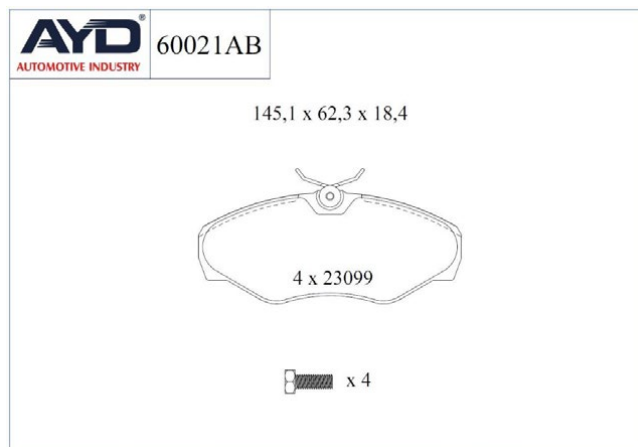
MODEL	START D.	END Y.
APRIO	2008/07	
PLATINA	2001/06	2010/12



BRAKE PAD

• Front Axle

- OEM Standarts
- AYD Quality
- Safety
- Performance



OE:
4106000Q1F-M1

11-60021AB

WVA :23099

Technical Specifications:

Shim	Wear Indicator	Indicator Type	Piston Spring	Compression Spring	Rivet	Clips	Bolt	Plastic Plug	Kit
4	-		-	4	-	-	4	-	-

NISSAN

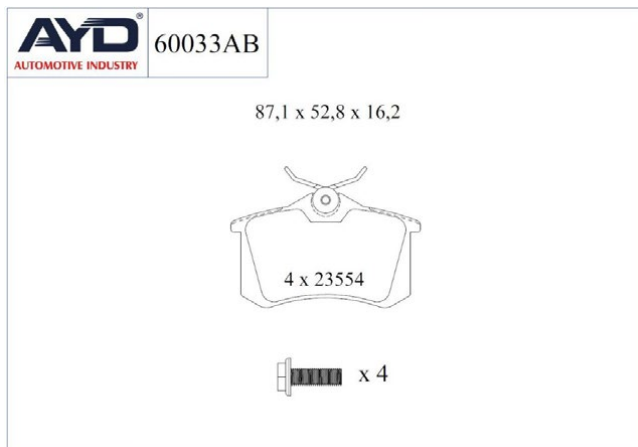
MODEL	START D.	END Y.
PRIMASTAR (X83)	2001/03	
PRIMASTAR Panelvan/Van (X83)	2002/09	
PRIMASTAR Platform (X83)	2002/07	



BRAKE PAD

• Rear Axle

- OEM Standarts
- AYD Quality
- Safety
- Performance



OE:
440600295R-M1

11-60033AB

WVA :23554

Technical Specifications:

Shim	Wear Indicator	Indicator Type	Piston Spring	Compression Spring	Rivet	Clips	Bolt	Plastic Plug	Kit
4	-		-	4	-	-	4	-	-

NISSAN

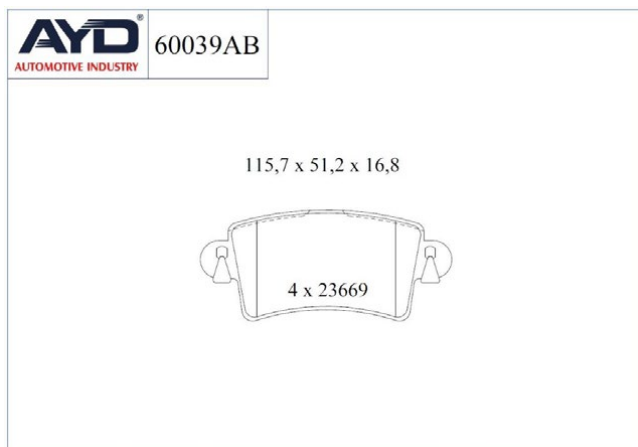
MODEL	START D.	END Y.
NOTE (E11, NE11)	2005/01	2013/08



BRAKE PAD

• Rear Axle

- OEM Standarts
- AYD Quality
- Safety
- Performance



OE:
4406000QAE-M

11-60039AB

WVA :23669

Technical Specifications:

Shim	Wear Indicator	Indicator Type	Piston Spring	Compression Spring	Rivet	Clips	Bolt	Plastic Plug	Kit
4	–		–	8	–	–	–	–	–

NISSAN

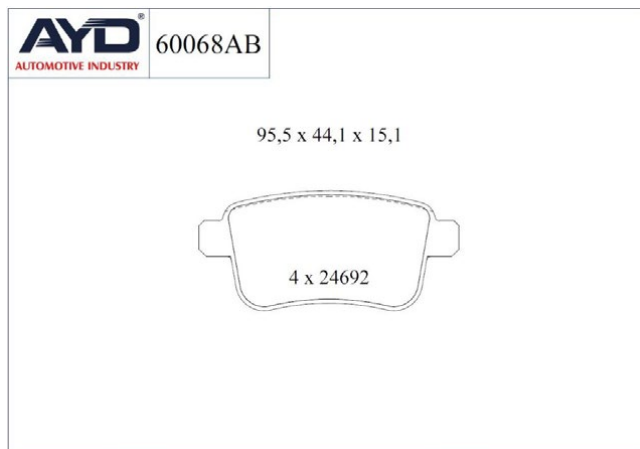
MODEL	START D.	END Y.
INTERSTAR (X70)	2002/04	
INTERSTAR Panelvan/Van (X70)	2002/04	
INTERSTAR Platform	2003/08	



BRAKE PAD

• Rear Axle

- OEM Standarts
- AYD Quality
- Safety
- Performance



OE:
4406000Q3B-M

11-60068AB

WVA :24692

Technical Specifications:

Shim	Wear Indicator	Indicator Type	Piston Spring	Compression Spring	Rivet	Clips	Bolt	Plastic Plug	Kit
-	-		-	-	-	-	-	-	-

NISSAN

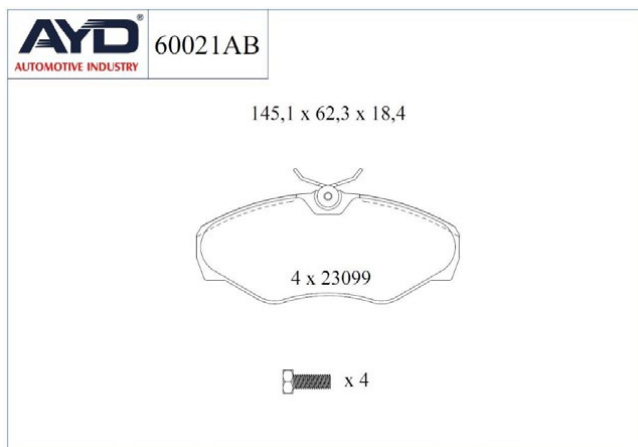
MODEL	START D.	END Y.
NV250 (X61)	2019/07	
NV250 Panelvan/Van (X61)	2019/07	



BRAKE PAD

• Front Axle

- OEM Standarts
- AYD Quality
- Safety
- Performance



OE:
93192063-M1

11-60021AB

WVA :23099

Technical Specifications:

Shim	Wear Indicator	Indicator Type	Piston Spring	Compression Spring	Rivet	Clips	Bolt	Plastic Plug	Kit
4	-		-	4	-	-	4	-	-

OPEL

MODEL	START D.	END Y.
VIVARO A (X83)	2001/08	
VIVARO A Panelvan/Van (X83)	2001/08	
VIVARO A Platform (X83)	2001/08	



BRAKE PAD

• Rear Axle

- OEM Standarts
- AYD Quality
- Safety
- Performance



AYD AUTOMOTIVE INDUSTRY	60033AB
87,1 x 52,8 x 16,2	

OE:
3649110-M1

11-60033AB

WVA :23554

Technical Specifications:

Shim	Wear Indicator	Indicator Type	Piston Spring	Compression Spring	Rivet	Clips	Bolt	Plastic Plug	Kit
4	-		-	4	-	-	4	-	-

OPEL

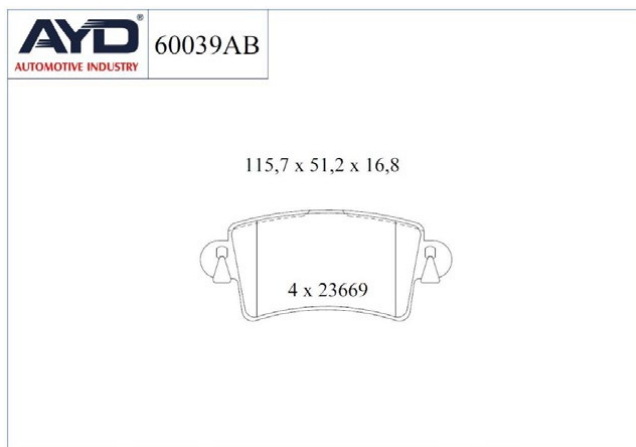
MODEL	START D.	END Y.
CROSSLAND X / CROSSLAND (P17, P2QO)	2017/03	



BRAKE PAD

• Rear Axle

- OEM Standarts
- AYD Quality
- Safety
- Performance



OE:
4403467-M

11-60039AB

WVA :23669

Technical Specifications:

Shim	Wear Indicator	Indicator Type	Piston Spring	Compression Spring	Rivet	Clips	Bolt	Plastic Plug	Kit
4	–		–	8	–	–	–	–	–

OPEL

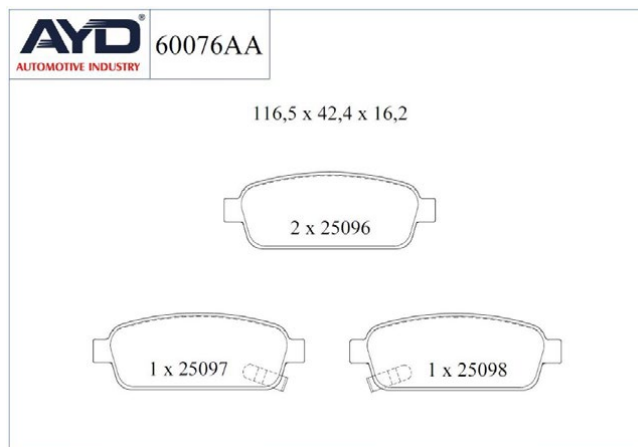
MODEL	START D.	END Y.
MOVANO (X70)	1999/01	
MOVANO (X70)	1998/07	
MOVANO Panelvan/Van (X70)	1999/01	
MOVANO Platform (X70)	1998/07	



BRAKE PAD

• Rear Axle

- OEM Standarts
- AYD Quality
- Safety
- Performance



OE:

542040

0542039

0542040

11-60076AA

WVA :25096-25097-25098

Technical Specifications:

Shim	Wear Indicator	Indicator Type	Piston Spring	Compression Spring	Rivet	Clips	Bolt	Plastic Plug	Kit
4	2	Metal	-	-	-	-	-	-	-

OPEL

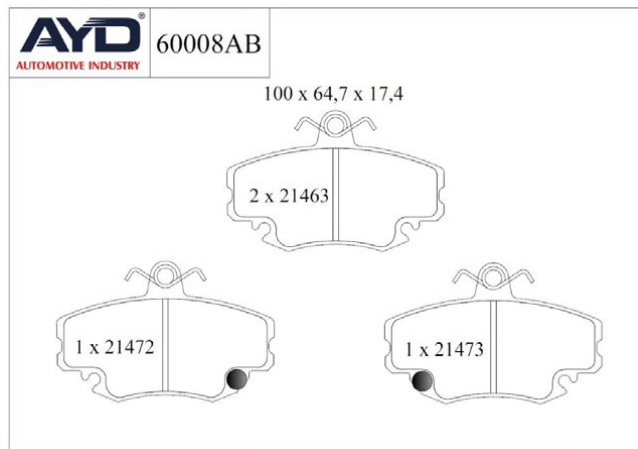
MODEL	START D.	END Y.
AMPERA (R12)	2011/11	2015/03
ASTRA H CLASSIC Hatchback (A04)	2009/01	
ASTRA H CLASSIC Station wagon (A04)	2006/12	
ASTRA J (P10)	2009/09	2015/10
ASTRA J GTC	2011/10	
ASTRA J (P10)	2009/09	2015/10
ASTRA J Combi van (P10)	2009/09	2015/10
ASTRA J Sedan	2012/06	
ASTRA J Sports Tourer (P10)	2010/10	2015/10
CASCADA (W13)	2013/03	2019/04



BRAKE PAD

• Front Axle

- OEM Standarts
- AYD Quality
- Safety
- Performance



OE:
1611460280
425041
425070

11-60008AB

WVA :21463-21472-21473

Technical Specifications:

Shim	Wear Indicator	Indicator Type	Piston Spring	Compression Spring	Rivet	Clips	Bolt	Plastic Plug	Kit
—	2	Cable	—	4	4	—	—	—	—

PEUGEOT

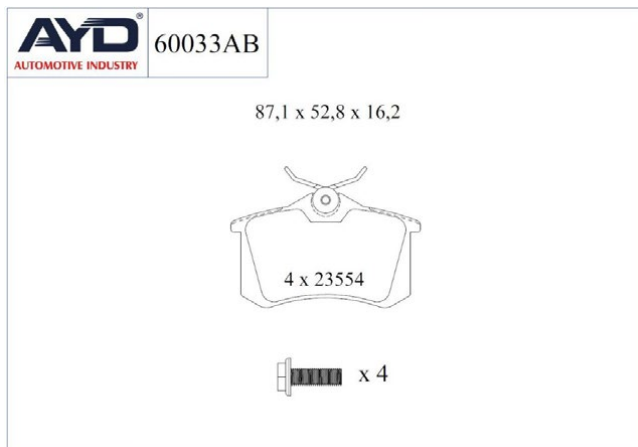
MODEL	START D.	END Y.
205 I (741A/C)	1983/02	1987/10
205 I Cabrio (741B, 20D)	1986/03	1995/11
205 II (20A/C)	1987/01	2000/12
309 I (10C, 10A)	1985/10	1989/12
309 II (3C, 3A)	1989/07	1993/12
309 (10S, 3S)	1985/10	1993/10



BRAKE PAD

• Rear Axle

- OEM Standarts
- AYD Quality
- Safety
- Performance



OE:
1631831780-M1

11-60033AB

WVA :23554

Technical Specifications:

Shim	Wear Indicator	Indicator Type	Piston Spring	Compression Spring	Rivet	Clips	Bolt	Plastic Plug	Kit
4	-		-	4	-	-	4	-	-

PEUGEOT

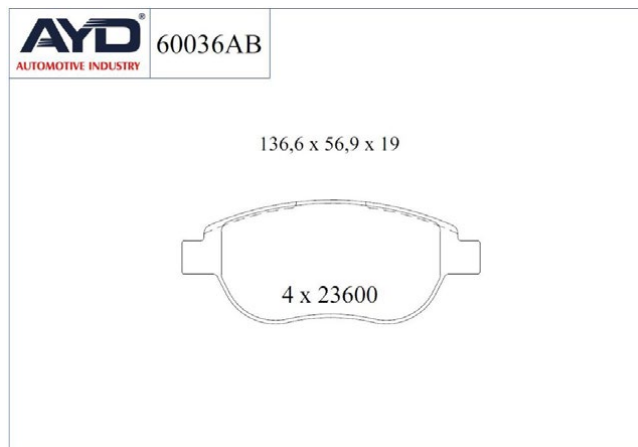
MODEL	START D.	END Y.
208 I (CA_, CC_)	2012/03	



BRAKE PAD

• Front Axle

- OEM Standarts
- AYD Quality
- Safety
- Performance



OE:
1617256680-M

11-60036AB

WVA :23600

Technical Specifications:

Shim	Wear Indicator	Indicator Type	Piston Spring	Compression Spring	Rivet	Clips	Bolt	Plastic Plug	Kit
4	-		-	-	-	-	-	-	-

PEUGEOT

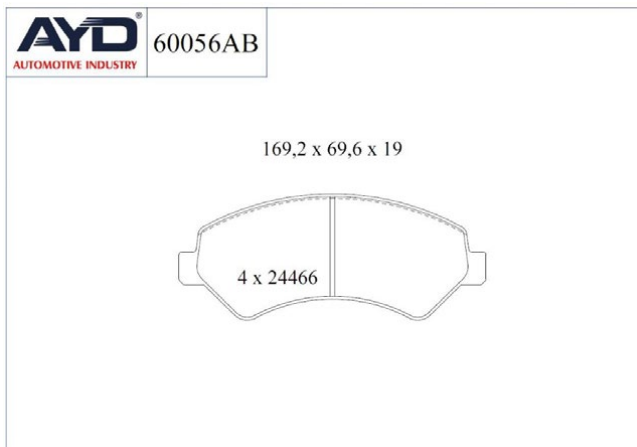
MODEL	START D.	END Y.
1007 (KM_)	2005/04	
206 Hatchback (2A/C)	1998/08	2012/12
207 (WA_, WC_)	2006/02	2015/12
207 CC (WD_)	2007/02	2015/01
207 (WA_, WC_)	2006/04	
207 Sedan	2007/12	2014/12
207 SW (WK_)	2007/02	2013/12
207 SW Combi van (WK_)	2007/08	2012/12
307 (3A/C)	2000/08	2012/12
307 Break (3E)	2002/03	2009/12



BRAKE PAD

• Front Axle

- OEM Standarts
- AYD Quality
- Safety
- Performance



OE:
425375-M
425376-M

11-60056AB

WVA :24466-24467

Technical Specifications:

Shim	Wear Indicator	Indicator Type	Piston Spring	Compression Spring	Rivet	Clips	Bolt	Plastic Plug	Kit
4	-		-	-	-	-	-	-	-

PEUGEOT

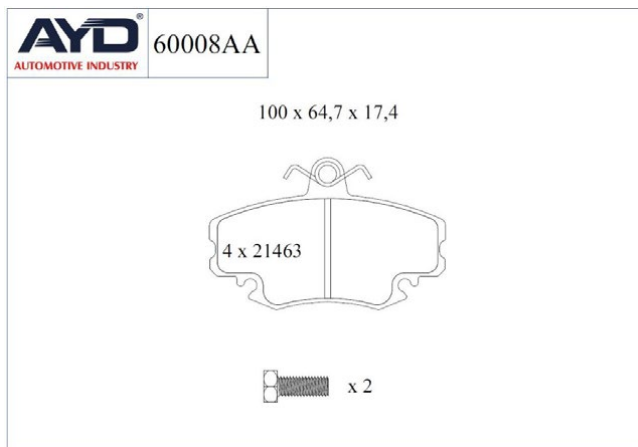
MODEL	START D.	END Y.
BOXER	2005/09	
BOXER (244, Z_)	2001/12	
BOXER Panelvan/Van	2006/04	
BOXER Panelvan/Van (244)	2001/12	
BOXER Platform	2006/04	



BRAKE PAD

• Front Axle

- OEM Standarts
- AYD Quality
- Safety
- Performance



OE:

7701201669

6025071042

7701202284

11-60008AA

WVA :21463

Technical Specifications:

Shim	Wear Indicator	Indicator Type	Piston Spring	Compression Spring	Rivet	Clips	Bolt	Plastic Plug	Kit
-	-		-	4	4	-	2	-	-

RENAULT

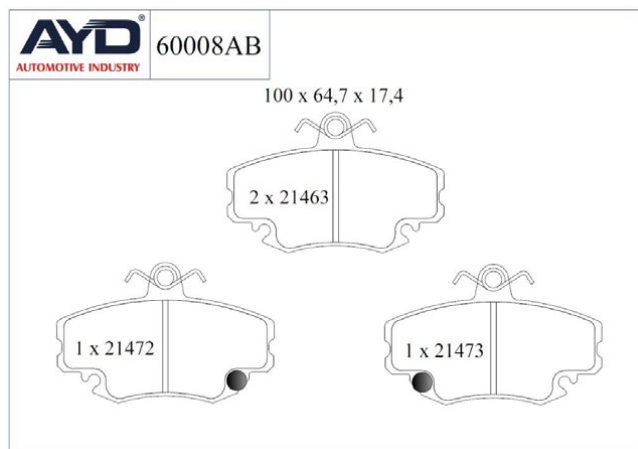
MODEL	START D.	END Y.
11 (B/C37_)	1983/03	1995/09
11 (S37_)	1983/03	1989/07
18 (134_)	1978/04	1994/11
18 Combi van	1979/05	1986/07
18 Variable (135_)	1979/02	1994/11
19 I (B/C53_)	1988/01	1994/09
19 I Cabriolet (D53_)	1991/07	1992/04
19 I Chamade (L53_)	1988/01	1992/12
19 I (S53_)	1988/01	1992/12
19 II (B/C53_)	1991/01	2001/06



BRAKE PAD

• Front Axle

- OEM Standarts
- AYD Quality
- Safety
- Performance



OE:

410602192R

410609342R

6000008018

11-60008AB

WVA :21463-21472-21473

Technical Specifications:

Shim	Wear Indicator	Indicator Type	Piston Spring	Compression Spring	Rivet	Clips	Bolt	Plastic Plug	Kit
–	2	Cable	–	4	4	–	–	–	–

RENAULT

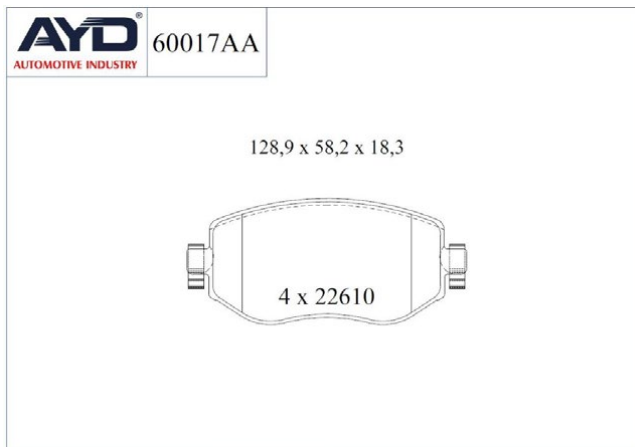
MODEL	START D.	END Y.
11 (B/C37_)	1983/03	1995/09
11 (S37_)	1983/03	1989/07
18 (134_)	1978/04	1994/11
18 Combi van	1979/05	1986/07
18 Variable (135_)	1979/02	1994/11
19 I (B/C53_)	1988/01	1994/09
19 I Cabriolet (D53_)	1991/07	1992/04
19 I Chamade (L53_)	1988/01	1992/12
19 I (S53_)	1988/01	1992/12
19 II (B/C53_)	1991/01	2001/06



BRAKE PAD

• Front Axle

- OEM Standarts
- AYD Quality
- Safety
- Performance



OE:
410603407R-M

11-60017AB

WVA :22610

Technical Specifications:

Shim	Wear Indicator	Indicator Type	Piston Spring	Compression Spring	Rivet	Clips	Bolt	Plastic Plug	Kit
4	–		–	8	–	–	–	–	–

RENAULT

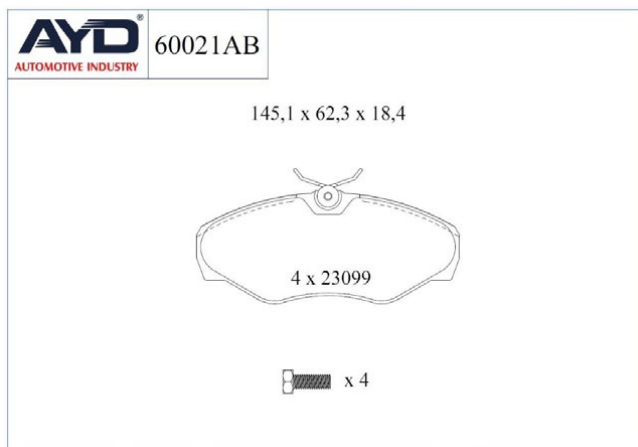
MODEL	START D.	END Y.
MEGANE IV Grandtour (K9A/M/N_)	2016/04	
MEGANE IV Hatchback (B9A/M/N_)	2015/11	
MEGANE IV Sedan	2016/10	



BRAKE PAD

• Front Axle

- OEM Standarts
- AYD Quality
- Safety
- Performance



OE:
7701054771-M1

11-60021AB

WVA :23099

Technical Specifications:

Shim	Wear Indicator	Indicator Type	Piston Spring	Compression Spring	Rivet	Clips	Bolt	Plastic Plug	Kit
4	-		-	4	-	-	4	-	-

RENAULT

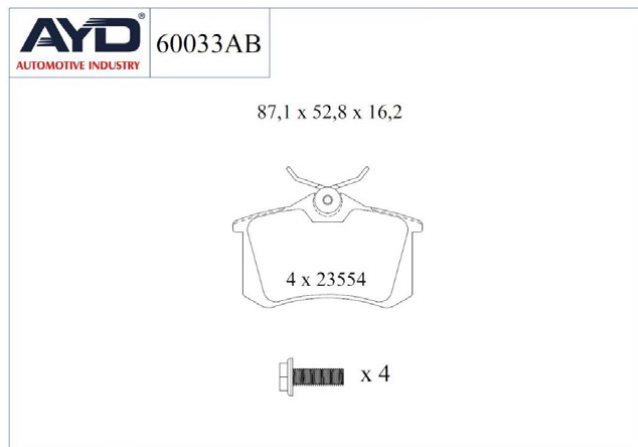
MODEL	START D.	END Y.
ESPACE III (JE0_)	1996/11	2002/10
TRAFIC II (JL)	2001/03	
TRAFIC II Panelvan/Van (FL)	2001/03	
TRAFIC II Platform (EL)	2001/03	



BRAKE PAD

• Rear Axle

- OEM Standarts
- AYD Quality
- Safety
- Performance



OE:
440600364R-M1

11-60033AB

WVA :23554

Technical Specifications:

Shim	Wear Indicator	Indicator Type	Piston Spring	Compression Spring	Rivet	Clips	Bolt	Plastic Plug	Kit
4	-		-	4	-	-	4	-	-

RENAULT

MODEL	START D.	END Y.
AVANTIME (DE0_)	2001/09	2003/05
CLIO III (BR0/1, CR0/1)	2005/01	2014/12
CLIO III Grandtour (KR0/1_)	2007/11	
CLIO III (SB_, SR_)	2005/06	
CLIO IV (BH_)	2012/11	
ESPACE III (JE0_)	1996/11	2002/10
FLUENCE (L3_)	2010/02	
GRAND SCÉNIC II (JM0/1_)	2004/04	2009/06
GRAND SCÉNIC III (JZ0/1_)	2009/02	
GRAND SCÉNIC IV (R9_)	2016/09	



BRAKE PAD

• Rear Axle

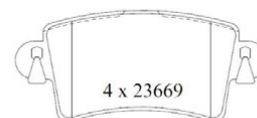
- OEM Standarts
- AYD Quality
- Safety
- Performance



AYD
AUTOMOTIVE INDUSTRY

60039AB

115,7 x 51,2 x 16,8



OE:
7701206763-M

11-60039AB

WVA :23669

Technical Specifications:

Shim	Wear Indicator	Indicator Type	Piston Spring	Compression Spring	Rivet	Clips	Bolt	Plastic Plug	Kit
4	–		–	8	–	–	–	–	–

RENAULT

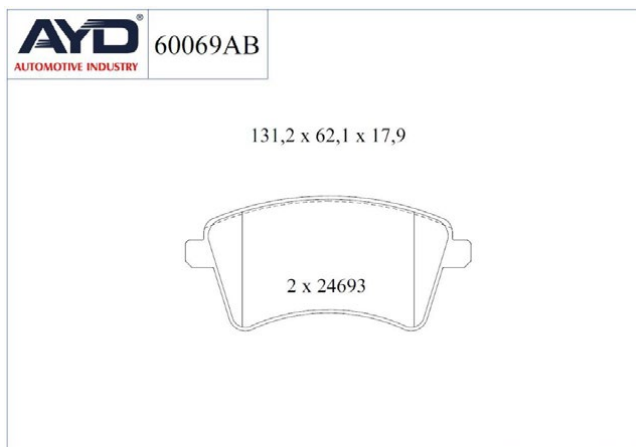
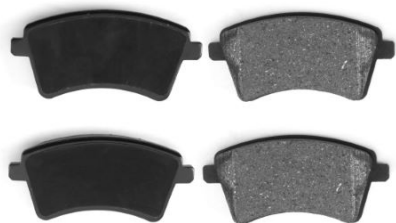
MODEL	START D.	END Y.
MASTER II (JD)	1998/03	
MASTER II Panelvan/Van (FD)	1998/07	
MASTER II Platform (ED/HD/UD)	1998/07	



BRAKE PAD

• Front Axle

- OEM Standarts
- AYD Quality
- Safety
- Performance



OE:
410603750R-M

11-60069AB

WVA :24693

Technical Specifications:

Shim	Wear Indicator	Indicator Type	Piston Spring	Compression Spring	Rivet	Clips	Bolt	Plastic Plug	Kit
-	-		-	-	-	-	-	-	-

RENAULT

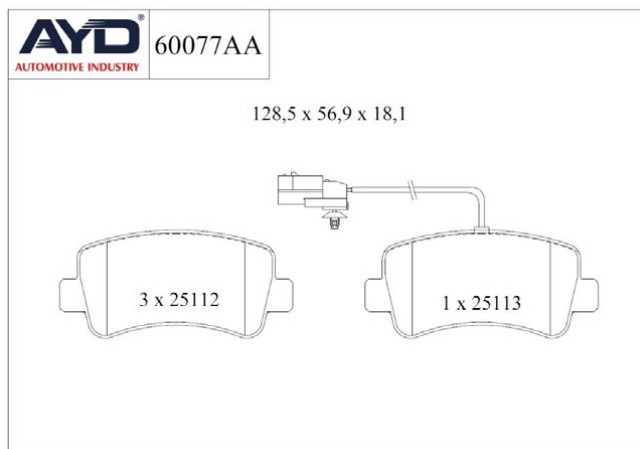
MODEL	START D.	END Y.
KANGOO / GRAND KANGOO (KW0/1_)	2008/02	
KANGOO BE BOP (KW0/1_)	2009/02	
KANGOO Express (FW0/1_)	2008/02	



BRAKE PAD

• Rear Axle

- OEM Standarts
- AYD Quality
- Safety
- Performance



OE:

440600264R

440601147R

440601186R

11-60077AA

WVA :25112-25113

Technical Specifications:

Shim	Wear Indicator	Indicator Type	Piston Spring	Compression Spring	Rivet	Clips	Bolt	Plastic Plug	Kit
4	1	Cable	-	-	-	-	-	-	-

RENAULT

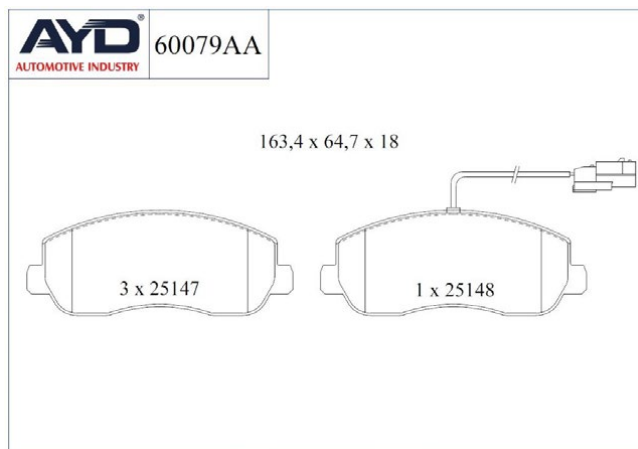
MODEL	START D.	END Y.
MASTER III (JV)	2011/02	
MASTER III Panelvan/Van (FV)	2010/02	
MASTER III Platform (EV, HV, UV)	2010/02	



BRAKE PAD

• Front Axle

- OEM Standarts
- AYD Quality
- Safety
- Performance



OE:

410601061R

410604386R

7410604386

11-60079AA

WVA :25147-25148

Technical Specifications:

Shim	Wear Indicator	Indicator Type	Piston Spring	Compression Spring	Rivet	Clips	Bolt	Plastic Plug	Kit
4	1	Cable	-	-	-	-	-	-	-

RENAULT

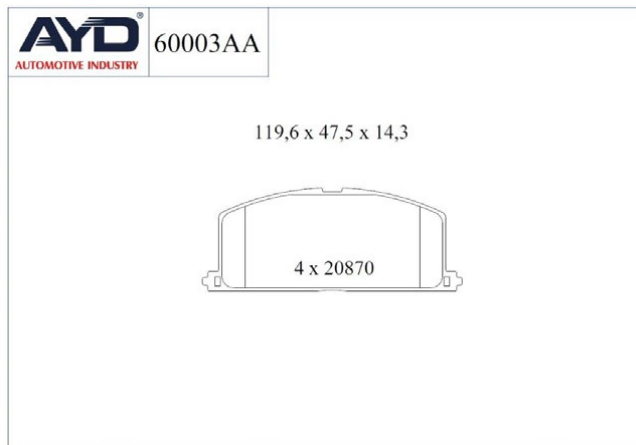
MODEL	START D.	END Y.
MASTER III (JV)	2011/02	
MASTER III Panelvan/Van (FV)	2010/02	
MASTER III Platform (EV, HV, UV)	2010/02	



BRAKE PAD

• Front Axle

- OEM Standarts
- AYD Quality
- Safety
- Performance



OE:

0446510040

0446510041

0446512010

11-60003AA

WVA :20870

Technical Specifications:

Shim	Wear Indicator	Indicator Type	Piston Spring	Compression Spring	Rivet	Clips	Bolt	Plastic Plug	Kit
-	-		-	-	-	-	-	-	-

TOYOTA

MODEL	START D.	END Y.
CALDINA Station wagon (_T19_)	1987/12	2002/05
CAMRY (_V2_)	1986/08	1993/02
CAMRY Liftback (_V1_)	1982/10	1988/01
CAMRY Sedan (_V1_)	1982/10	1988/07
CARIBE Station wagon	1994/09	2003/08
CARINA ED II (_T18_)	1989/03	1993/09
CARINA IV (_T15_)	1983/10	1988/05
CARINA IV Sedan (_T15_)	1983/08	1988/05
CARINA V (_T17_)	1987/12	1992/06
CARINA V Sedan (_T17_)	1987/12	1992/06



BRAKE PAD

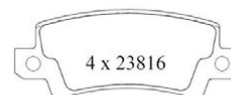
• Rear Axle

- OEM Standarts
- AYD Quality
- Safety
- Performance



AYD
AUTOMOTIVE INDUSTRY 60044AA

95,7 x 37,7 x 15,1



OE:
0446602020
0446602040
0446602070

11-60044AA

WVA :23816

Technical Specifications:

Shim	Wear Indicator	Indicator Type	Piston Spring	Compression Spring	Rivet	Clips	Bolt	Plastic Plug	Kit
-	-		-	-	-	-	-	-	-

TOYOTA

MODEL	START D.	END Y.
COROLLA (_E12_)	2001/01	2007/12
COROLLA Sedan (_E12_)	2000/08	2008/03
COROLLA Sedan (_E15_)	2006/10	
COROLLA Station wagon (_E11_)	1997/04	2001/10
COROLLA Station wagon (_E12_)	2001/03	2008/12



BRAKE PAD

• Front Axle

- OEM Standarts
- AYD Quality
- Safety
- Performance



AYD AUTOMOTIVE INDUSTRY	60021AB
145,1 x 62,3 x 18,4	
4 x 23099	
x 4	

OE:
95599219-M1

11-60021AB

WVA :23099

Technical Specifications:

Shim	Wear Indicator	Indicator Type	Piston Spring	Compression Spring	Rivet	Clips	Bolt	Plastic Plug	Kit
4	–		–	4	–	–	4	–	–

VAUXHALL

MODEL	START D.	END Y.
VIVARO A (X83)	2001/08	2014/07
VIVARO A Panelvan/Van (X83)	2001/08	2014/07
VIVARO A Platform (X83)	2003/04	2014/07



BRAKE PAD

• Rear Axle

- OEM Standarts
- AYD Quality
- Safety
- Performance



AYD AUTOMOTIVE INDUSTRY	60033AB
87,1 x 52,8 x 16,2	

OE:
3649110-M1

11-60033AB

WVA :23554

Technical Specifications:

Shim	Wear Indicator	Indicator Type	Piston Spring	Compression Spring	Rivet	Clips	Bolt	Plastic Plug	Kit
4	-		-	4	-	-	4	-	-

VAUXHALL

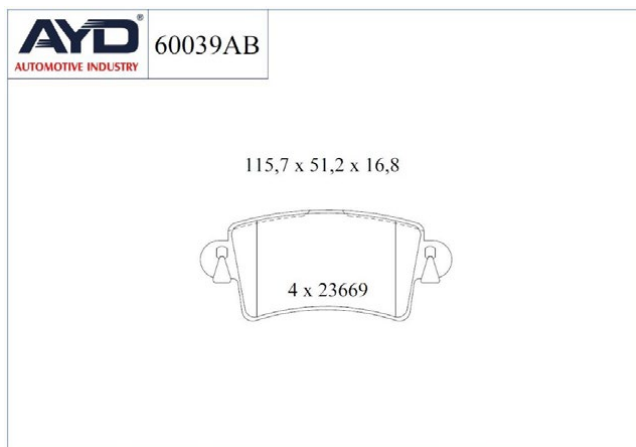
MODEL	START D.	END Y.
CROSSLAND X (P17)	2017/03	



BRAKE PAD

• Rear Axle

- OEM Standarts
- AYD Quality
- Safety
- Performance



OE:
95515197-M

11-60039AB

WVA :23669

Technical Specifications:

Shim	Wear Indicator	Indicator Type	Piston Spring	Compression Spring	Rivet	Clips	Bolt	Plastic Plug	Kit
4	–		–	8	–	–	–	–	–

VAUXHALL

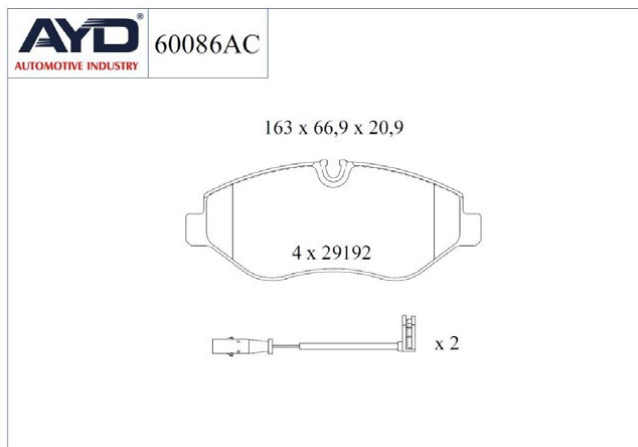
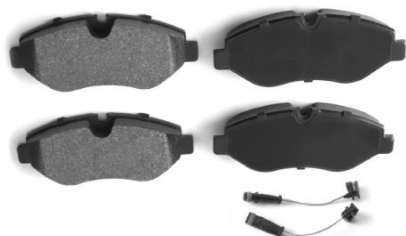
MODEL	START D.	END Y.
MOVANO Mk I (A) Chassis/Cab (X70)	1998/10	2010/12
MOVANO Mk I (A) Combi (X70)	1998/10	2010/05
MOVANO Mk I (A) Van (X70)	1998/10	2010/12



BRAKE PAD

• Front Axle

- OEM Standarts
- AYD Quality
- Safety
- Performance



OE:
2E0698151-M2

11-60086AC

WVA :29192

Technical Specifications:

Shim	Wear Indicator	Indicator Type	Piston Spring	Compression Spring	Rivet	Clips	Bolt	Plastic Plug	Kit
4	2	Cable	-	-	-	-	-	-	-

VW

MODEL	START D.	END Y.
CRAFTER 30-35 (2E_)	2006/04	2016/12
CRAFTER 30-50 Panelvan/Van (2E_)	2006/04	2016/12
CRAFTER 30-50 Platform (2F_)	2006/04	2016/12

