

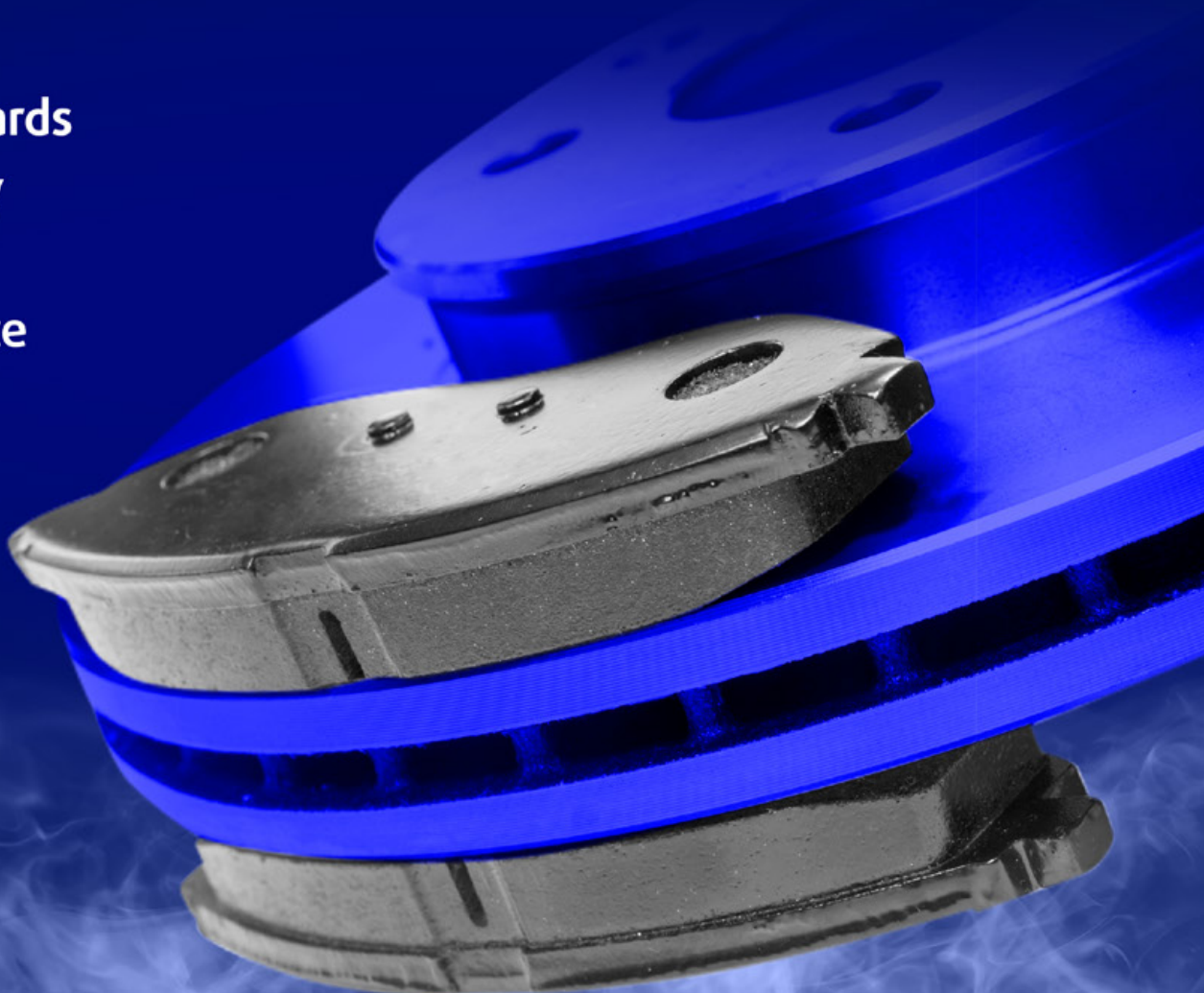
new to range

AYD[®]
AUTOMOTIVE INDUSTRY

THANKS TO AYD POWER AND ALL UNDER ONE ROOF STRATEGY

BRAKE WITH CONFIDENCE

OEM Standards
AYD Quality
Safety
Performance



www.aydtr.com



OCTOBER 2021

INDEX

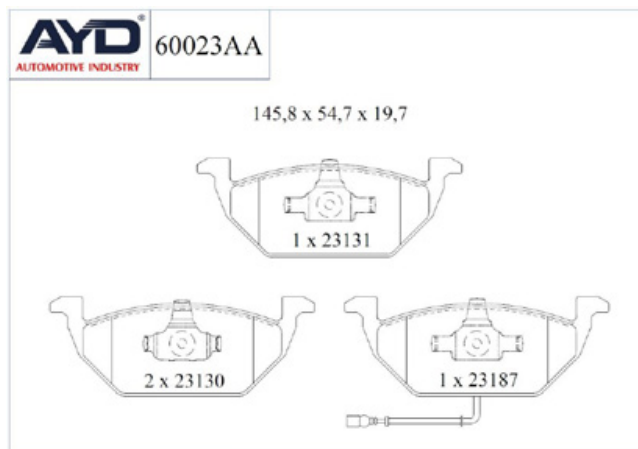
AUDI	3-4
CITROEN	5-7
DACIA	8
DODGE	9-10
FIAT	11-20
FORD	21
HONDA	22
HYUNDAI	23-24
MAZDA	25
MERCEDES BENZ	26-28
MITSUBISHI	29
NISSAN	30-33
OPEL	34-35
PEUGEOT	36-39
RENAULT	40-52
SEAT	53-54
SKODA	55
TOYOTA	56
VAUXHALL	57-58
VOLKSWAGEN	59-65

BRAKE PAD

BALATA

- Front Axle

- OEM Standarts
- AYD Quality
- Safety
- Performance



OE:

1J0698151D
1J0698151E
1J0698151F

11-60023AA

WVA :23130-23131-23187

Technical Specifications:

Shim	Wear Indicator	Indicator Type	Piston Spring	Compression Spring	Rivet	Clips	Bolt	Plastic Plug	Kit
4	1	Kablolu	4	-	-	-	-	-	-

AUDI

MODEL	START D.	END Y.
A1 (8X1, 8XK)	2010/05	2018/10
A1 CITY CARVER (GBH)	2019/07	
A1 Sportback (8XA, 8XF)	2011/09	2018/10
A1 Sportback (GBA)	2018/07	
A2 (8Z0)	2000/02	2005/08
A3 (8L1)	1996/09	2006/09
A3 (8P1)	2003/05	2013/12
A3 Cabrio (8P7)	2008/04	2013/05
A3 Sportback (8PA)	2004/09	2015/12

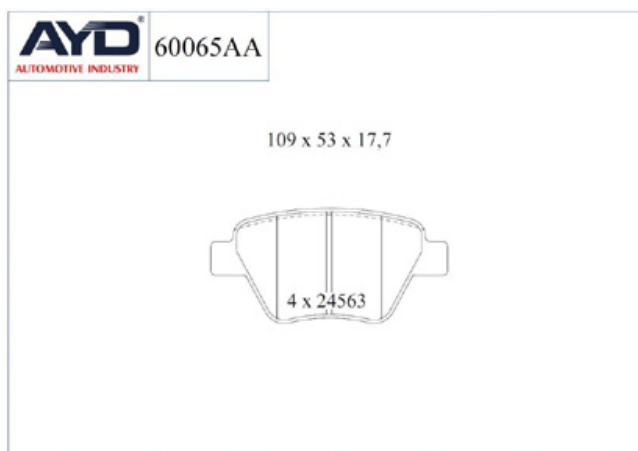


BRAKE PAD

BALATA

- Rear Axle

- OEM Standarts
- AYD Quality
- Safety
- Performance



OE:
5K0698451
2K5698451
5K0698451A

11-60065AA

WVA :24563

Technical Specifications:

Shim	Wear Indicator	Indicator Type	Piston Spring	Compression Spring	Rivet	Clips	Bolt	Plastic Plug	Kit
4	-		-	-	-	-	-	-	-

AUDI

MODEL	START D.	END Y.
A1 (8X1, 8XK)	2010/05	2018/10
A1 Sportback (8XA, 8XF)	2011/09	2018/10
A3 (8P1)	2003/05	2013/12
A3 Cabrio (8P7)	2008/04	2013/05
A3 Sportback (8PA)	2004/09	2015/12

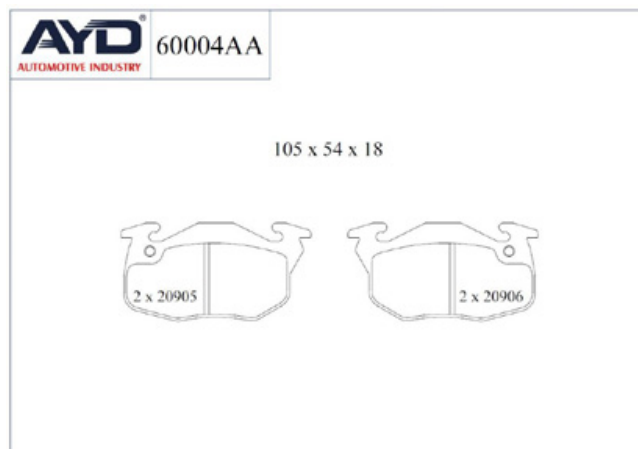


BRAKE PAD

BALATA

- Front Axle

- OEM Standarts
- AYD Quality
- Safety
- Performance



OE:

425137

425147

425483

11-60004AA

WVA :20906-20905

Technical Specifications:

Shim	Wear Indicator	Indicator Type	Piston Spring	Compression Spring	Rivet	Clips	Bolt	Plastic Plug	Kit
4	-		-	-	-	-	-	-	-

CITROËN

MODEL	START D.	END Y.
SAXO (S0, S1)	1996/02	2004/04
SAXO Hatchback van (S3_)	1997/10	2003/06



BRAKE PAD

BALATA

- Rear Axle

- OEM Standarts
- AYD Quality
- Safety
- Performance



OE:
1631831780

11-60033AA

WVA :23554

Technical Specifications:

Shim	Wear Indicator	Indicator Type	Piston Spring	Compression Spring	Rivet	Clips	Bolt	Plastic Plug	Kit
4	-		-	4	-	-	2	-	-

CITROËN

MODEL	START D.	END Y.
C3 AIRCROSS II (2R_, 2C_)	2017/06	
C3 AIRCROSS II Van (2C_, 2R_)	2017/06	
C3 II (SC_)	2009/09	
C3 II Kasa/ežik arka (SC_)	2010/06	
C3 III (SX)	2016/07	
C4 CACTUS	2014/09	
C4 CACTUS Van (0B_, 0P_)	2014/09	

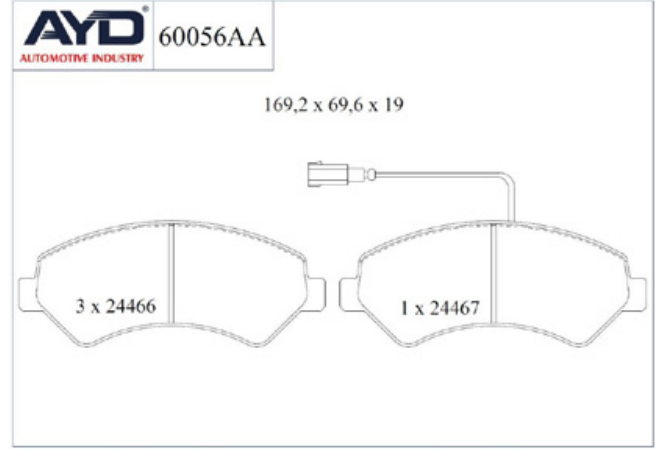


BRAKE PAD

BALATA

- Front Axle

- OEM Standarts
- AYD Quality
- Safety
- Performance



OE:
1612433680

11-60056AA

WVA :24466-24467

Technical Specifications:

Shim	Wear Indicator	Indicator Type	Piston Spring	Compression Spring	Rivet	Clips	Bolt	Plastic Plug	Kit
4	1	Kablolu	-	-	-	-	-	-	-

CITROËN

MODEL	START D.	END Y.
JUMPER Minibüs/Otobüs	2006/04	
JUMPER Panelvan/Van	2006/04	
JUMPER Panelvan/Van (244)	2002/04	
JUMPER Platform şasi	2006/04	

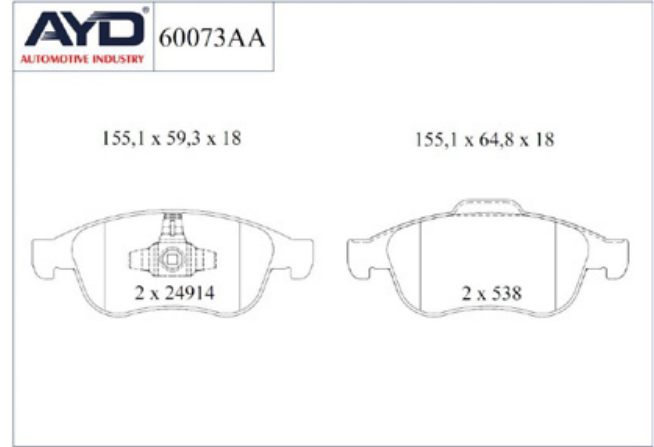


BRAKE PAD

BALATA

- Front Axle

- OEM Standarts
- AYD Quality
- Safety
- Performance



OE:

11-60073AA

WVA :24914

Technical Specifications:

Shim	Wear Indicator	Indicator Type	Piston Spring	Compression Spring	Rivet	Clips	Bolt	Plastic Plug	Kit
4	-		2	-	-	-	-	-	-

DACIA

MODEL	START D.	END Y.
DOKKER Express Kasa/büyük limuzin	2012/11	
DOKKER MPV (KE_)	2012/11	
DOKKER Pick-up	2018/07	
DUSTER (HM_)	2017/10	
DUSTER (HS_)	2010/04	2018/01
DUSTER Kasa/SUV	2011/04	
LODGY (JS_)	2012/03	

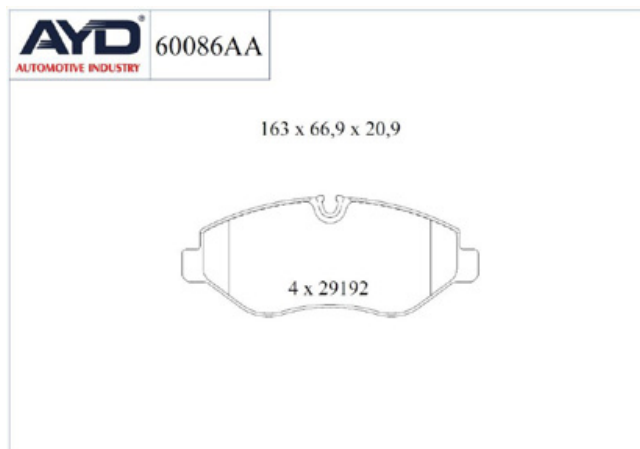


BRAKE PAD

BALATA

- Front Axle

- OEM Standarts
- AYD Quality
- Safety
- Performance



OE:
2E0698151

11-60086AA

WVA :29192

Technical Specifications:

Shim	Wear Indicator	Indicator Type	Piston Spring	Compression Spring	Rivet	Clips	Bolt	Plastic Plug	Kit
4	-		-	-	-	-	-	-	-

DODGE

MODEL	START D.	END Y.
SPRINTER 2500 Standard Cargo Van	2005/09	2010/12
SPRINTER 2500 Standard Passenger Van	2006/09	2010/12
SPRINTER 3500 Cab & Chassis	2006/09	2010/12
SPRINTER 3500 Standard Cargo Van	2006/09	2010/12
SPRINTER 3500 Standard Passenger Van	2006/09	2010/12

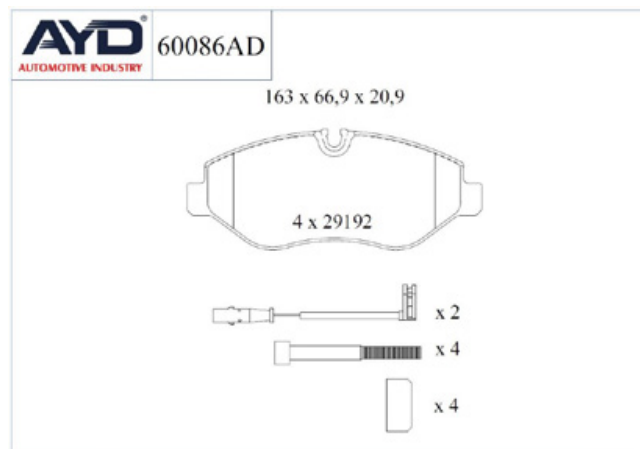


BRAKE PAD

BALATA

- Front Axle

- OEM Standarts
- AYD Quality
- Safety
- Performance



OE:
2E0698151-M3

11-60086AD

WVA :29192

Technical Specifications:

Shim	Wear Indicator	Indicator Type	Piston Spring	Compression Spring	Rivet	Clips	Bolt	Plastic Plug	Kit
4	2		-	-	-	-	-	-	Evot

DODGE

MODEL	START D.	END Y.
SPRINTER 2500 Standard Cargo Van	2005/09	2010/12
SPRINTER 2500 Standard Passenger Van	2006/09	2010/12
SPRINTER 3500 Cab & Chassis	2006/09	2010/12
SPRINTER 3500 Standard Cargo Van	2006/09	2010/12
SPRINTER 3500 Standard Passenger Van	2006/09	2010/12

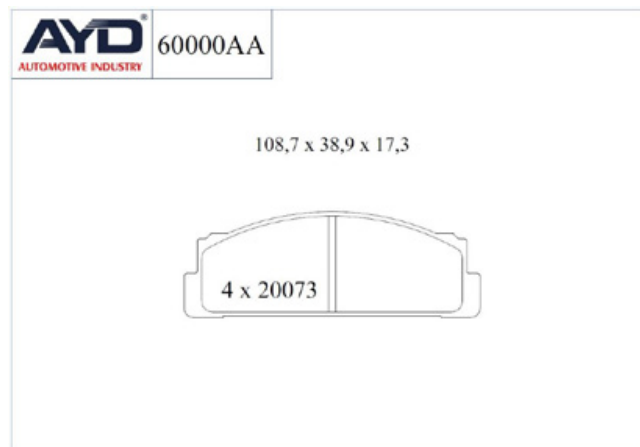


BRAKE PAD

BALATA

- Front Axle

- OEM Standarts
- AYD Quality
- Safety
- Performance



OE:

2007304

4386012

4434816

11-60000AA

WVA :20073

Technical Specifications:

Shim	Wear Indicator	Indicator Type	Piston Spring	Compression Spring	Rivet	Clips	Bolt	Plastic Plug	Kit
4	-		-	-	-	-	-	-	-

FIAT

MODEL	START D.	END Y.
124 (124_)	1966/07	1975/07
124 Coupe (124_)	1967/06	1976/02
124 Familiare (124_)	1967/04	1975/03
124 Spider (124_)	1966/01	1985/11
125 (125_)	1967/07	1974/03
127 (127_)	1971/06	1996/05
127 Panorama (127_)	1977/01	1986/12
128 (128_)	1969/03	1984/12
128 Coupe (128_)	1972/03	1981/02
128 Familiare (128_)	1969/10	1982/10
131 (131_)	1974/10	1987/03
131 Familiare/Panorama (131_)	1975/03	1984/12

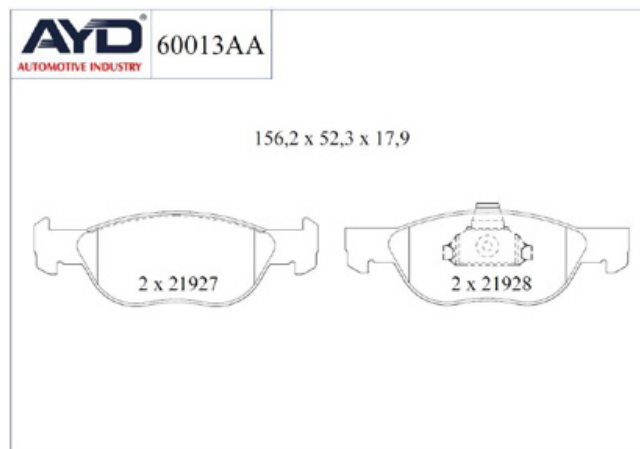


BRAKE PAD

BALATA

- Front Axle

- OEM Standarts
- AYD Quality
- Safety
- Performance



OE:
71769140
71752986
77362149

11-60013AA

WVA :21927-21928

Technical Specifications:

Shim	Wear Indicator	Indicator Type	Piston Spring	Compression Spring	Rivet	Clips	Bolt	Plastic Plug	Kit
4	-		2	-	-	-	-	-	-

FIAT

MODEL	START D.	END Y.
PUNTO (176_)	1993/09	1999/09
PUNTO (188_)	1999/09	2012/07
PUNTO Kasa/eđik arka (188_)	2000/02	2010/12

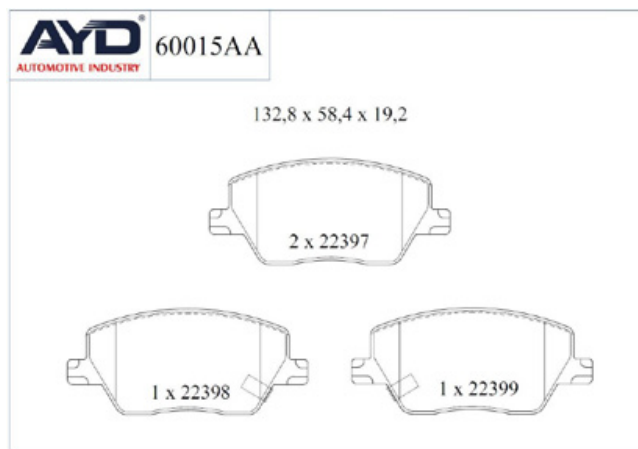


BRAKE PAD

BALATA

- Front Axle

- OEM Standarts
- AYD Quality
- Safety
- Performance



OE:

77367910

77367628

77368368

11-60015AA

WVA :22397-22398-22399

Technical Specifications:

Shim	Wear Indicator	Indicator Type	Piston Spring	Compression Spring	Rivet	Clips	Bolt	Plastic Plug	Kit
4	2	Metal	-	-	-	-	-	-	-

FIAT

MODEL	START D.	END Y.
TIPO Hatchback (356_)	2016/03	
TIPO Sedan (356_)	2015/10	
TIPO Station wagon (356_)	2016/03	

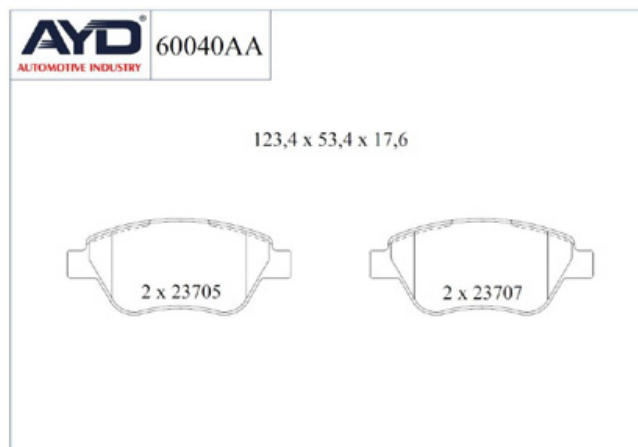


BRAKE PAD

BALATA

- Front Axle

- OEM Standarts
- AYD Quality
- Safety
- Performance



OE:

77362179

77362743

77363035

11-60040AA

WVA :23705-23707

Technical Specifications:

Shim	Wear Indicator	Indicator Type	Piston Spring	Compression Spring	Rivet	Clips	Bolt	Plastic Plug	Kit
4	-		-	-	-	-	-	-	-

FIAT

MODEL	START D.	END Y.
IDEA (350_)	2003/12	

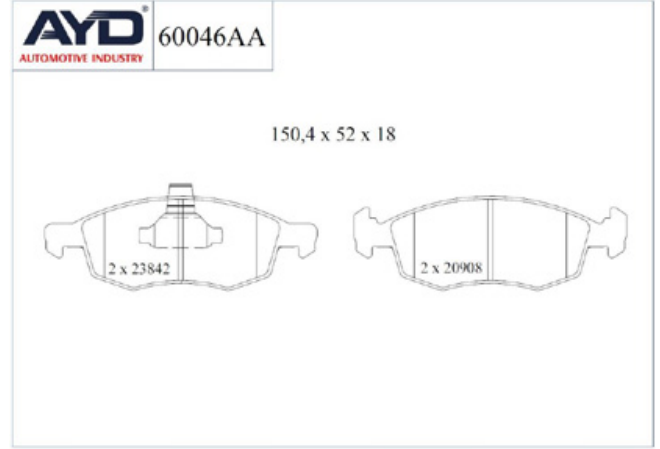


BRAKE PAD

BALATA

- Front Axle

- OEM Standarts
- AYD Quality
- Safety
- Performance



OE:
7087742
09948870
71770964

11-60046AA

WVA :23842-20908

Technical Specifications:

Shim	Wear Indicator	Indicator Type	Piston Spring	Compression Spring	Rivet	Clips	Bolt	Plastic Plug	Kit
4	-		2	-	-	-	-	-	-

FIAT

MODEL	START D.	END Y.
ARGO (358_)	2017/03	
CRONOS (359_)	2017/12	
DOBLO Kasa/büyük limuzin (223_)	2000/11	
DOBLO MPV (119_, 223_)	2001/03	



BRAKE PAD

BALATA

- Rear Axle

- OEM Standarts
- AYD Quality
- Safety
- Performance



OE:
6000620052

11-60051AA

WVA :23980

Technical Specifications:

Shim	Wear Indicator	Indicator Type	Piston Spring	Compression Spring	Rivet	Clips	Bolt	Plastic Plug	Kit
4	-		-	4	-	-	2	-	-

FIAT

MODEL	START D.	END Y.
TALENTO Minibüs/Otobüs (296_)	2016/06	
TALENTO Panelvan/Van (296_)	2016/06	
TALENTO Platform şasi (296_)	2016/06	

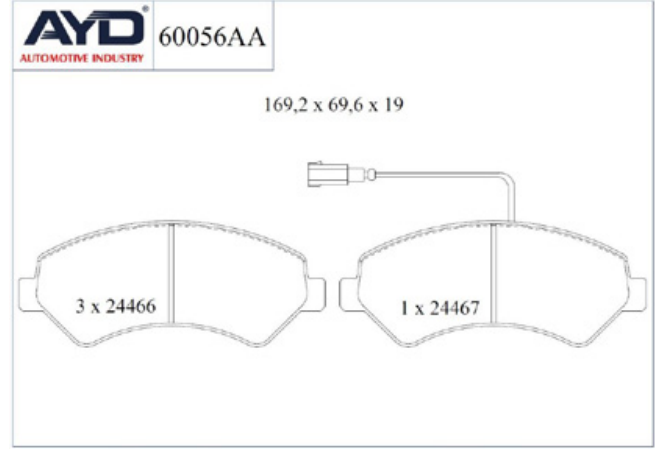


BRAKE PAD

BALATA

- Front Axle

- OEM Standarts
- AYD Quality
- Safety
- Performance



OE:

11-60056AA

WVA :24466-24467

Technical Specifications:

Shim	Wear Indicator	Indicator Type	Piston Spring	Compression Spring	Rivet	Clips	Bolt	Plastic Plug	Kit
4	1	Kablolu	-	-	-	-	-	-	-

FIAT

MODEL	START D.	END Y.
DUCATO Minibüs/Otobüs (250_, 290_)	2006/07	
DUCATO Panelvan/Van (250_, 290_)	2006/07	
DUCATO Platform şasi (250_, 290_)	2006/07	

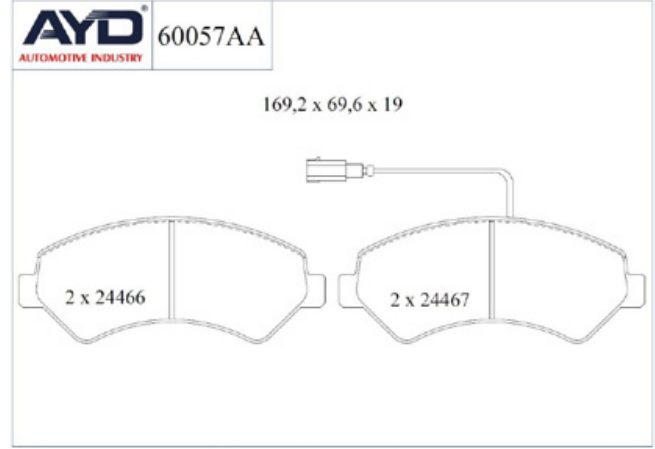


BRAKE PAD

BALATA

- Front Axle

- OEM Standarts
- AYD Quality
- Safety
- Performance



OE:

71773145

77364161

77364319

11-60057AA

WVA :24467-24466

Technical Specifications:

Shim	Wear Indicator	Indicator Type	Piston Spring	Compression Spring	Rivet	Clips	Bolt	Plastic Plug	Kit
4	2	Kablolu	-	-	-	-	-	-	-

FIAT

MODEL	START D.	END Y.
DUCATO Minibüs/Otobüs (250_, 290_)	2006/07	
DUCATO Panelvan/Van (250_, 290_)	2006/07	
DUCATO Platform şasi (250_, 290_)	2006/07	

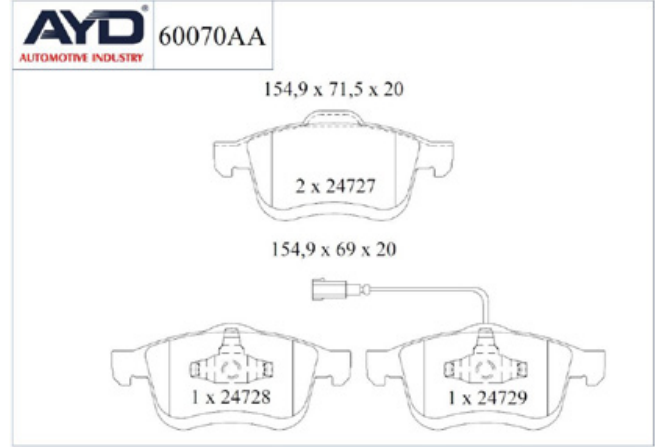


BRAKE PAD

BALATA

• Front Axle

- OEM Standarts
- AYD Quality
- Safety
- Performance



OE:
77365396
51928529

11-60070AA

WVA :24727-24728-24729

Technical Specifications:

Shim	Wear Indicator	Indicator Type	Piston Spring	Compression Spring	Rivet	Clips	Bolt	Plastic Plug	Kit
4	1	Kablolu	2	-	-	-	-	-	-

FIAT

MODEL	START D.	END Y.
DOBLO Cargo (263_)	2010/02	
DOBLO Kasa/büyük limuzin (223_)	2000/11	
DOBLO Minibüs/Otobüs (263_)	2009/11	
DOBLO MPV (119_, 223_)	2001/03	
DOBLO Platform şasi (263_)	2010/02	

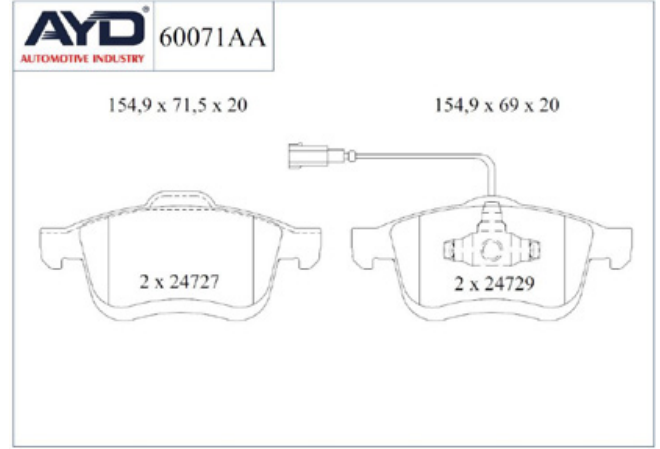


BRAKE PAD

BALATA

• Front Axle

- OEM Standarts
- AYD Quality
- Safety
- Performance



OE:
77365796

11-60071AA

WVA :24729-24727

Technical Specifications:

Shim	Wear Indicator	Indicator Type	Piston Spring	Compression Spring	Rivet	Clips	Bolt	Plastic Plug	Kit
4	2	Kablolu	2	-	-	-	-	-	-

FIAT

MODEL	START D.	END Y.
DOBLO Cargo (263_)	2010/02	
DOBLO Minibüs/Otobüs (263_)	2009/11	
DOBLO MPV (119_, 223_)	2001/03	
DOBLO Platform şasi (263_)	2010/02	

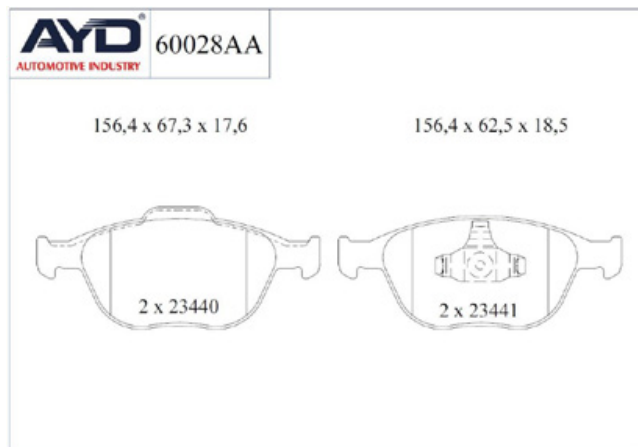


BRAKE PAD

BALATA

- Front Axle

- OEM Standarts
- AYD Quality
- Safety
- Performance



OE:

1360303

1763678

2M5V2K021AA

11-60028AA

WVA :23440-23441

Technical Specifications:

Shim	Wear Indicator	Indicator Type	Piston Spring	Compression Spring	Rivet	Clips	Bolt	Plastic Plug	Kit
4	-		2	-	-	-	-	-	-

FORD

MODEL	START D.	END Y.
FOCUS I (DAW, DBW)	1998/09	2009/11
FOCUS I Turnier (DNW)	1999/02	2007/12
TOURNEO CONNECT	2002/06	2013/12
TRANSIT CONNECT (P65_, P70_, P80_)	2002/06	

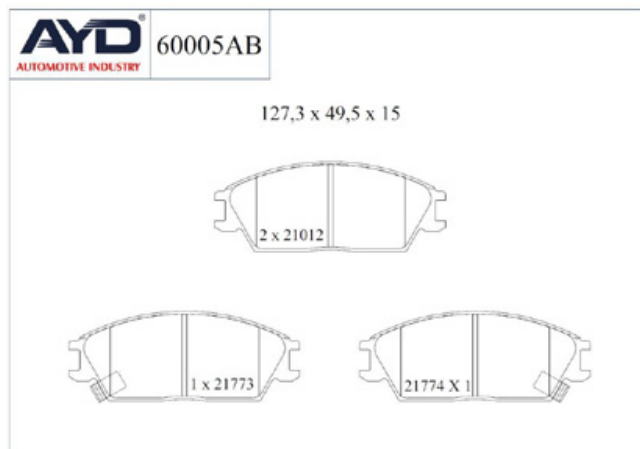


BRAKE PAD

BALATA

- Front Axle

- OEM Standarts
- AYD Quality
- Safety
- Performance



OE:

45022SA6600

45022SA6N50

45022SA6N52

11-60005AB

WVA :21012-21773-21774

Technical Specifications:

Shim	Wear Indicator	Indicator Type	Piston Spring	Compression Spring	Rivet	Clips	Bolt	Plastic Plug	Kit
4	2	Metal	-	-	-	-	-	-	-

HONDA

MODEL	START D.	END Y.
ACCORD II (AC, AD)	1983/09	1985/10
ACCORD II Hatchback (AC, AD)	1983/09	1985/10

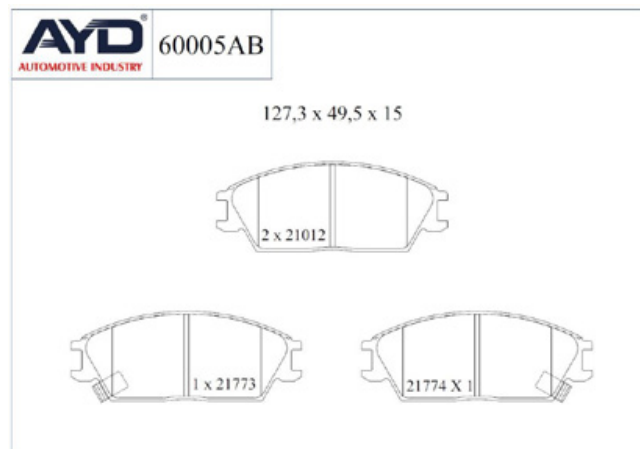


BRAKE PAD

BALATA

- Front Axle

- OEM Standarts
- AYD Quality
- Safety
- Performance



OE:

581011CA00

5810122A00

5810122A10

11-60005AB

WVA :21012-21773-21774

Technical Specifications:

Shim	Wear Indicator	Indicator Type	Piston Spring	Compression Spring	Rivet	Clips	Bolt	Plastic Plug	Kit
4	2	Metal	-	-	-	-	-	-	-

HYUNDAI

MODEL	START D.	END Y.
ACCENT I (X-3)	1994/05	2002/12
ACCENT II (LC)	1999/09	2012/12
ACCENT II Sedan (LC)	1999/09	2017/11
ACCENT Kasa/ejik arka (X-2)	1989/10	1995/01
ACCENT Sedan (X-3)	1994/05	2000/01
GETZ (TB)	2001/06	2011/01
LANTRA I (J-1)	1990/10	1995/11
PONY (X-2)	1989/10	1995/01
PONY / EXCEL Sedan (X-2)	1989/04	1995/01
S COUPE (SLC)	1990/02	1996/05
STELLAR (F31_, SF2_)	1983/10	1991/12

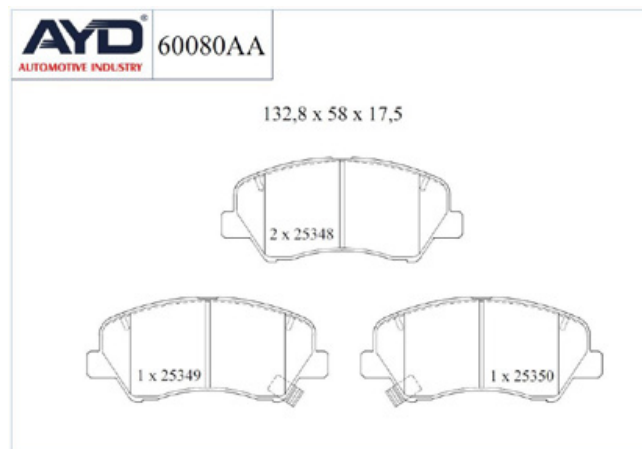


BRAKE PAD

BALATA

- Front Axle

- OEM Standarts
- AYD Quality
- Safety
- Performance



OE:

581011RA05

581011RA00

581011RA10

11-60080AA

WVA :25348-25349-25350

Technical Specifications:

Shim	Wear Indicator	Indicator Type	Piston Spring	Compression Spring	Rivet	Clips	Bolt	Plastic Plug	Kit
4	2	Metal	-	-	-	-	-	-	-

HYUNDAI

MODEL	START D.	END Y.
ACCENT IV (RB)	2010/11	
ACCENT IV Sedan (RB)	2010/08	
ACCENT V Hatchback (HC)	2017/01	
ACCENT V Sedan (HC)	2017/01	
GRAND AVEGA	2011/05	
i20 ACTIVE (IB, GB)	2015/09	
i20 II (GB, IB)	2014/11	
i20 II Coupe (GB)	2015/05	
i20 II Hatchback Van (GB, IB)	2014/11	
SOLARIS Sedan (HCR)	2017/01	

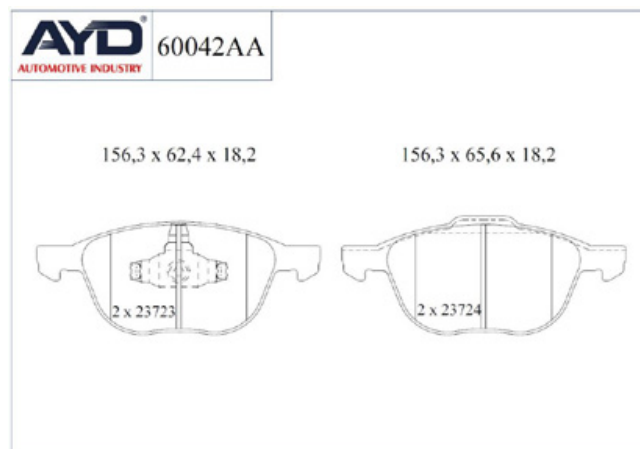


BRAKE PAD

BALATA

- Front Axle

- OEM Standarts
- AYD Quality
- Safety
- Performance



OE:

B3YH3323Z

B3YH3323ZA

B4YB3323Z

11-60042AA

WVA :23723-23724

Technical Specifications:

Shim	Wear Indicator	Indicator Type	Piston Spring	Compression Spring	Rivet	Clips	Bolt	Plastic Plug	Kit
4	-		2	-	-	-	-	-	-

MAZDA

MODEL	START D.	END Y.
3 (BK)	2003/10	2009/12
3 (BL)	2008/12	2014/09
3 Sedan (BK)	1999/09	2009/12
3 Sedan (BL)	2008/12	2014/12
5 (CR19)	2005/02	2010/12
5 (CW)	2010/06	
BIANTE (CC_)	2008/06	
PREMACY (CP)	1999/01	2005/03

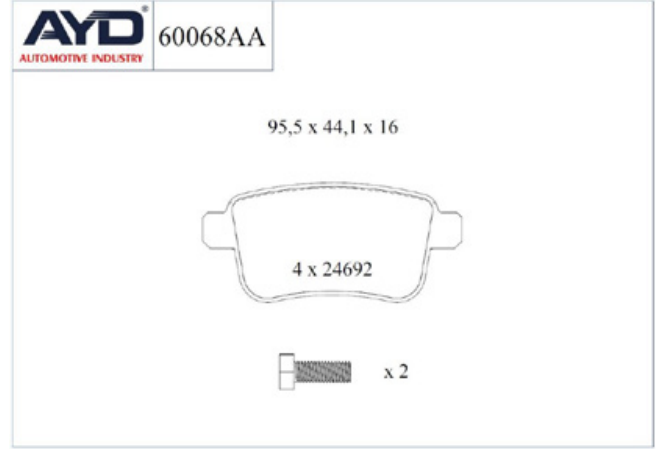


BRAKE PAD

BALATA

- Rear Axle

- OEM Standarts
- AYD Quality
- Safety
- Performance



OE:

4154210400

4154210410

A4154210400

11-60068AA

WVA :24692

Technical Specifications:

Shim	Wear Indicator	Indicator Type	Piston Spring	Compression Spring	Rivet	Clips	Bolt	Plastic Plug	Kit
4	-		-	-	-	-	2	-	-

MERCEDES-BENZ

MODEL	START D.	END Y.
CITAN Kasa/büyük limuzin (W415)	2012/11	
CITAN Mixto (Double Cabin) (W415)	2012/11	
CITAN MPV (415)	2012/11	

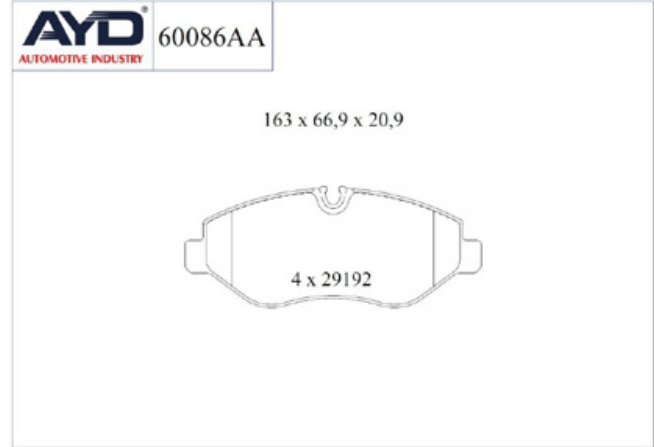


BRAKE PAD

BALATA

- Front Axle

- OEM Standarts
- AYD Quality
- Safety
- Performance



OE:

0044206720

0044208320

0054202120

11-60086AA

WVA :29192

Technical Specifications:

Shim	Wear Indicator	Indicator Type	Piston Spring	Compression Spring	Rivet	Clips	Bolt	Plastic Plug	Kit
4	-		-	-	-	-	-	-	-

MERCEDES-BENZ

MODEL	START D.	END Y.
MARCO POLO Camper (W447)	2015/03	
SPRINTER 3-t Minibüs/Otobüs (B906)	2006/06	
SPRINTER 3-t Panelvan/Van (B906)	2006/06	
SPRINTER 3-t Platform şasi (B906)	2006/06	
SPRINTER 3-t Tourer Bus (B907)	2018/02	
SPRINTER 3,5-t Minibüs/Otobüs (B906)	2006/06	
SPRINTER 3,5-t Panelvan/Van (B906)	2006/06	
SPRINTER 3,5-t Panelvan/Van (B907, B910)	2018/02	
SPRINTER 3,5-t Platform şasi (B906)	2006/06	
SPRINTER 3,5-t Platform şasi (B907, B910)	2018/02	
SPRINTER 3,5-t Tourer Bus (B907)	2018/02	
SPRINTER 4,6-t Platform şasi (B906)	2006/06	

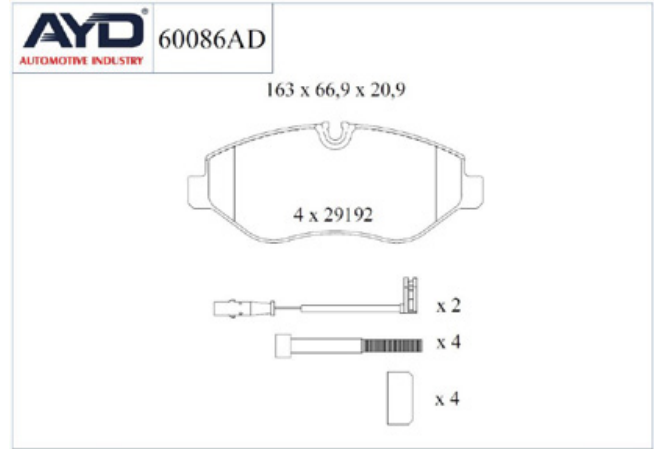


BRAKE PAD

BALATA

• Front Axle

- OEM Standarts
- AYD Quality
- Safety
- Performance



OE:
0044208320-M3

11-60086AD

WVA :29192

Technical Specifications:

Shim	Wear Indicator	Indicator Type	Piston Spring	Compression Spring	Rivet	Clips	Bolt	Plastic Plug	Kit
4	2		-	-	-	-	-	-	Evet

MERCEDES-BENZ

MODEL	START D.	END Y.
MARCO POLO Camper (W447)	2015/03	
SPRINTER 3-t Minibüs/Otobüs (B906)	2006/06	
SPRINTER 3-t Panelvan/Van (B906)	2006/06	
SPRINTER 3-t Platform şasi (B906)	2006/06	
SPRINTER 3-t Tourer Bus (B907)	2018/02	
SPRINTER 3,5-t Minibüs/Otobüs (B906)	2006/06	
SPRINTER 3,5-t Panelvan/Van (B906)	2006/06	
SPRINTER 3,5-t Panelvan/Van (B907, B910)	2018/02	
SPRINTER 3,5-t Platform şasi (B906)	2006/06	
SPRINTER 3,5-t Platform şasi (B907, B910)	2018/02	
SPRINTER 3,5-t Tourer Bus (B907)	2018/02	
SPRINTER 4,6-t Platform şasi (B906)	2006/06	

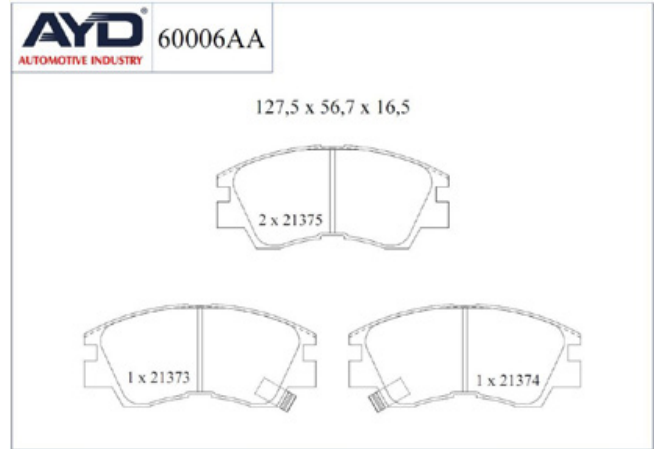


BRAKE PAD

BALATA

- Front Axle

- OEM Standarts
- AYD Quality
- Safety
- Performance



OE:

MB500812

MB500813

MB500814

11-60006AA

WVA :21373-21374-21375

Technical Specifications:

Shim	Wear Indicator	Indicator Type	Piston Spring	Compression Spring	Rivet	Clips	Bolt	Plastic Plug	Kit
4	2	Metal	-	-	-	-	-	-	-

MITSUBISHI

MODEL	START D.	END Y.
DELICA IV Minibüs/Otobüs (TG1_)	2010/01	
L 300 / DELICA II Platform şasi (L03_P)	1980/05	
L 300 III Minibüs/Otobüs (P0_W, P1_W, P2_W, P3_W)	1986/08	2013/12
L 300 III Panelvan/Van (P0_V, P1_V, P_2V)	1986/11	2013/12
L 300 III Platform şasi (P1_T)	1994/04	2000/04
L200 (K3_T, K2_T, K1_T, K0_T)	1983/01	1996/10
L200 Platform şasi (K3_T, K0_T, K1_T, K2_T)	1986/01	1996/10
PAJERO I (L04_G, L14_G)	1982/04	1991/12
PAJERO I Canvas Top (L04_G)	1982/12	1990/11



BRAKE PAD

BALATA

- Rear Axle

- OEM Standarts
- AYD Quality
- Safety
- Performance



OE:
440600295R

11-60033AA

WVA :23554

Technical Specifications:

Shim	Wear Indicator	Indicator Type	Piston Spring	Compression Spring	Rivet	Clips	Bolt	Plastic Plug	Kit
4	-		-	4	-	-	2	-	-

NISSAN

MODEL	START D.	END Y.
NOTE (E11, NE11)	2005/01	2013/08



BRAKE PAD

BALATA

- Rear Axle

- OEM Standarts
- AYD Quality
- Safety
- Performance



OE:

4406000Q2E

4406000QAF

7701054772

11-60051AA

WVA :23980

Technical Specifications:

Shim	Wear Indicator	Indicator Type	Piston Spring	Compression Spring	Rivet	Clips	Bolt	Plastic Plug	Kit
4	-		-	4	-	-	2	-	-

NISSAN

MODEL	START D.	END Y.
NV300 Kombi (X82)	2016/09	
NV300 Panelvan/Van (X82)	2016/09	
NV300 Platform şasi (X82)	2016/09	
PRIMASTAR Minibüs/Otobüs (X83)	2001/03	
PRIMASTAR Panelvan/Van (X83)	2002/09	
PRIMASTAR Platform şasi (X83)	2002/07	

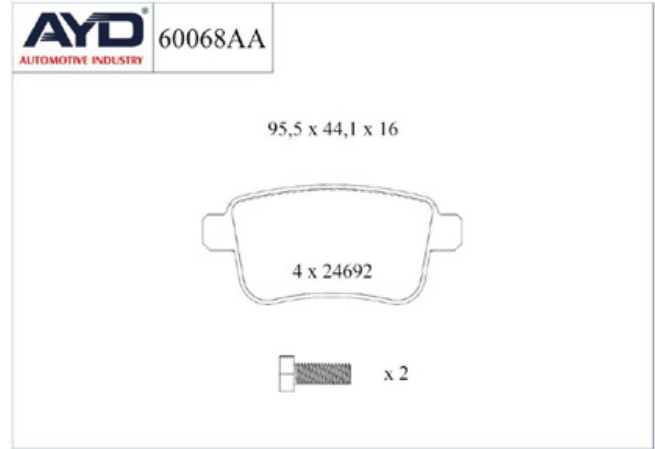
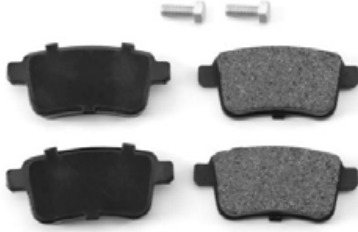


BRAKE PAD

BALATA

- Rear Axle

- OEM Standarts
- AYD Quality
- Safety
- Performance



OE:

4406000Q3B

4406000Q3E

11-60068AA

WVA :24692

Technical Specifications:

Shim	Wear Indicator	Indicator Type	Piston Spring	Compression Spring	Rivet	Clips	Bolt	Plastic Plug	Kit
4	-		-	-	-	-	2	-	-

NISSAN

MODEL	START D.	END Y.
NV250 Minibüs/Otobüs (X61)	2019/07	
NV250 Panelvan/Van (X61)	2019/07	

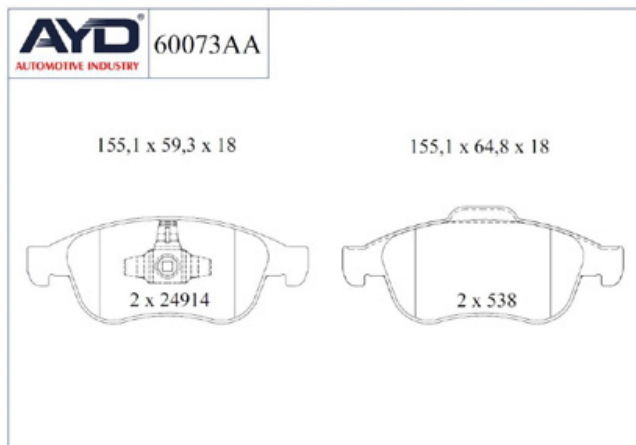


BRAKE PAD

BALATA

- Front Axle

- OEM Standarts
- AYD Quality
- Safety
- Performance



OE:

4106000Q1B
4106000Q1C
4106000Q1L

11-60073AA

WVA :24914

Technical Specifications:

Shim	Wear Indicator	Indicator Type	Piston Spring	Compression Spring	Rivet	Clips	Bolt	Plastic Plug	Kit
4	-		2	-	-	-	-	-	-

NISSAN

MODEL	START D.	END Y.
JUKE (F16_)	2019/08	
TERRANO (D10)	2013/08	



BRAKE PAD

BALATA

- Rear Axle

- OEM Standarts
- AYD Quality
- Safety
- Performance



OE:
3649110

11-60033AA

WVA :23554

Technical Specifications:

Shim	Wear Indicator	Indicator Type	Piston Spring	Compression Spring	Rivet	Clips	Bolt	Plastic Plug	Kit
4	-		-	4	-	-	2	-	-

OPEL

MODEL	START D.	END Y.
CROSSLAND X / CROSSLAND (P17, P2QO)	2017/03	



BRAKE PAD

BALATA

- Rear Axle

- OEM Standarts
- AYD Quality
- Safety
- Performance



OE:

1605199

4414029

4414520

11-60051AA

WVA :23980

Technical Specifications:

Shim	Wear Indicator	Indicator Type	Piston Spring	Compression Spring	Rivet	Clips	Bolt	Plastic Plug	Kit
4	-		-	4	-	-	2	-	-

OPEL

MODEL	START D.	END Y.
VIVARO A Minibüs/Otobüs (X83)	2001/08	
VIVARO A Panelvan/Van (X83)	2001/08	
VIVARO A Platform şasi (X83)	2001/08	
VIVARO B Minibüs/Otobüs (X82)	2014/06	
VIVARO B Panelvan/Van (X82)	2014/06	
VIVARO B Platform şasi (X82)	2014/06	

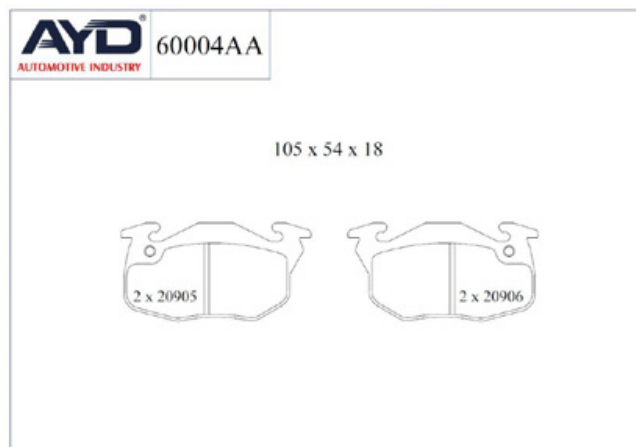


BRAKE PAD

BALATA

- Front Axle

- OEM Standarts
- AYD Quality
- Safety
- Performance



OE:

425137

425147

425483

11-60004AA

WVA :20906-20905

Technical Specifications:

Shim	Wear Indicator	Indicator Type	Piston Spring	Compression Spring	Rivet	Clips	Bolt	Plastic Plug	Kit
4	-		-	-	-	-	-	-	-

PEUGEOT

MODEL	START D.	END Y.
106 I (1A, 1C)	1991/08	1996/04
106 II (1A_, 1C_)	1996/04	2005/05
106 Van I Kasa/eğik arka (1S_)	1991/08	1996/03
106 Van II Kasa/eğik arka (1S_)	1996/04	2001/03



BRAKE PAD

BALATA

- Rear Axle

- OEM Standarts
- AYD Quality
- Safety
- Performance



OE:
1631831780

11-60033AA

WVA :23554

Technical Specifications:

Shim	Wear Indicator	Indicator Type	Piston Spring	Compression Spring	Rivet	Clips	Bolt	Plastic Plug	Kit
4	-		-	4	-	-	2	-	-

PEUGEOT

MODEL	START D.	END Y.
208 I (CA_, CC_)	2012/03	

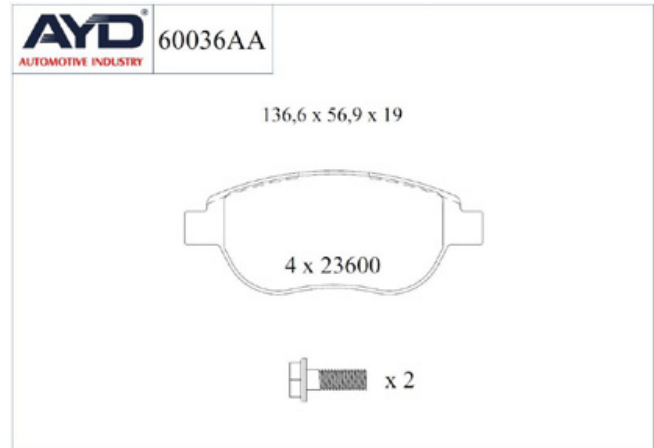


BRAKE PAD

BALATA

- Front Axle

- OEM Standarts
- AYD Quality
- Safety
- Performance



OE:

1617256680

1611838880

425222

11-60036AA

WVA :23600

Technical Specifications:

Shim	Wear Indicator	Indicator Type	Piston Spring	Compression Spring	Rivet	Clips	Bolt	Plastic Plug	Kit
4	-		-	-	-	-	2	-	-

PEUGEOT

MODEL	START D.	END Y.
1007 (KM_)	2005/04	
206 Hatchback (2A/C)	1998/08	2012/12
207 (WA_, WC_)	2006/02	2015/12
207 CC (WD_)	2007/02	2015/01
207 Kasa/eğik arka (WA_, WC_)	2006/04	
207 Sedan	2007/12	2014/12
207 SW (WK_)	2007/02	2013/12
207 SW Kombi van (WK_)	2007/08	2012/12
307 (3A/C)	2000/08	2012/12
307 Break (3E)	2002/03	2009/12
307 CC (3B)	2003/03	2009/06
307 Sedan	2001/01	2012/12

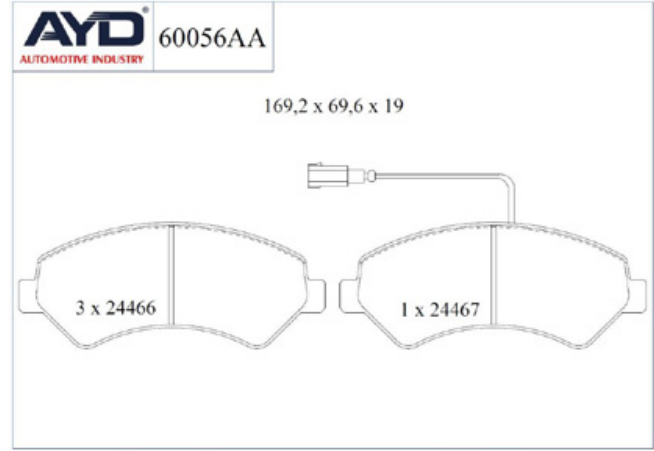


BRAKE PAD

BALATA

- Front Axle

- OEM Standarts
- AYD Quality
- Safety
- Performance



OE:

11-60056AA

WVA :24466-24467

Technical Specifications:

Shim	Wear Indicator	Indicator Type	Piston Spring	Compression Spring	Rivet	Clips	Bolt	Plastic Plug	Kit
4	1	Kablolu	-	-	-	-	-	-	-

PEUGEOT

MODEL	START D.	END Y.
BOXER Minibüs/Otobüs	2005/09	
BOXER Minibüs/Otobüs (244, Z_)	2001/12	
BOXER Panelvan/Van	2006/04	
BOXER Panelvan/Van (244)	2001/12	
BOXER Platform şasi	2006/04	

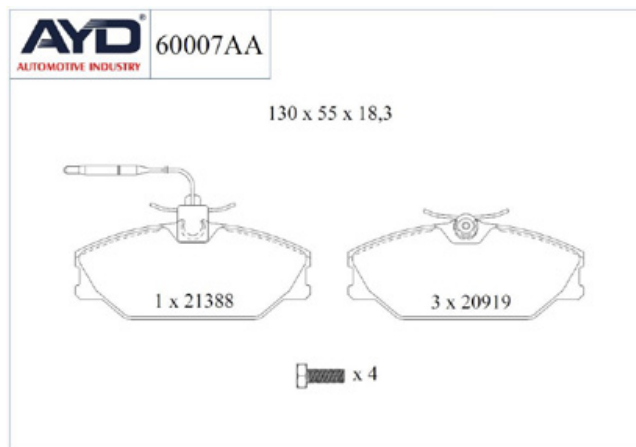
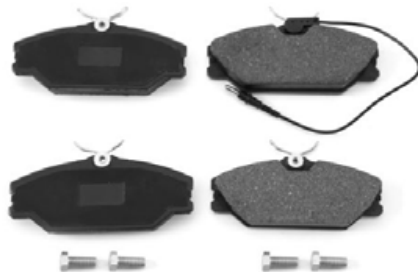


BRAKE PAD

BALATA

- Front Axle

- OEM Standarts
- AYD Quality
- Safety
- Performance



OE:

6000008895
410601531R
7701202050

11-60007AA

WVA :21388-20919

Technical Specifications:

Shim	Wear Indicator	Indicator Type	Piston Spring	Compression Spring	Rivet	Clips	Bolt	Plastic Plug	Kit
4	1	Kablolu	-	3	-	-	4	-	-

RENAULT

MODEL	START D.	END Y.
25 (B29_)	1984/04	1993/12
ESPACE II (J/S63_)	1991/01	1997/10
LAGUNA I (B56_, 556_)	1993/11	2002/08
LAGUNA I Grandtour (K56_)	1995/09	2002/08
MEGANE I (BA0/1_)	1995/08	2004/12
MEGANE I Cabriolet (EA0/1_)	1996/10	2003/08
MEGANE I Classic (LA0/1_)	1996/09	2008/08
MEGANE I Coach (DA0/1_)	1996/03	2003/08
MEGANE I Grandtour (KA0/1_)	1999/03	2003/08
MEGANE Scenic (JA0/1_)	1996/10	2001/12
SAFRANE I (B54_)	1992/04	1997/10
SAFRANE II (B54_)	1996/07	2000/12

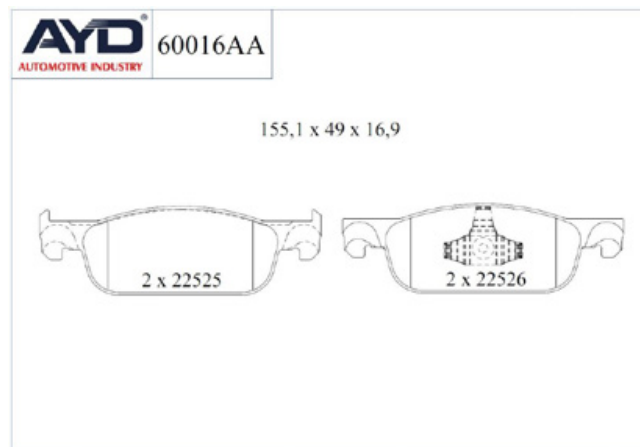


BRAKE PAD

BALATA

- Front Axle

- OEM Standarts
- AYD Quality
- Safety
- Performance



OE:
410605536R

11-60016AA

WVA :22525-22526

Technical Specifications:

Shim	Wear Indicator	Indicator Type	Piston Spring	Compression Spring	Rivet	Clips	Bolt	Plastic Plug	Kit
4	-		2	-	-	-	-	-	-

RENAULT

MODEL	START D.	END Y.
CLIO IV (BH_)	2012/11	
CLIO IV Grandtour (KH_)	2013/01	
CLIO IV Kasa/eğik arka (BH_)	2014/01	
LOGAN II Station wagon (K8_)	2013/11	
LOGAN/STEPWAY II (L8_)	2012/09	
SANDERO/STEPWAY II (B8_)	2013/11	
THALIA III (L8_)	2013/12	

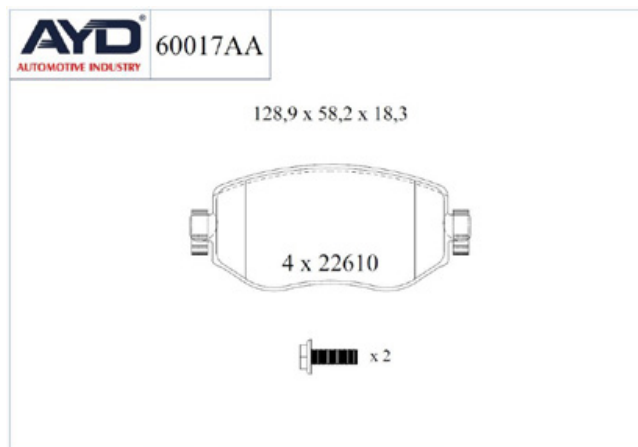


BRAKE PAD

BALATA

- Front Axle

- OEM Standarts
- AYD Quality
- Safety
- Performance



OE:
410603407R

11-60017AA

WVA :22610

Technical Specifications:

Shim	Wear Indicator	Indicator Type	Piston Spring	Compression Spring	Rivet	Clips	Bolt	Plastic Plug	Kit
4	-		-	8	-	-	2	-	-

RENAULT

MODEL	START D.	END Y.
MEGANE IV Grandtour (K9A/M/N_)	2016/04	
MEGANE IV Hatchback (B9A/M/N_)	2015/11	
MEGANE IV Sedan	2016/10	

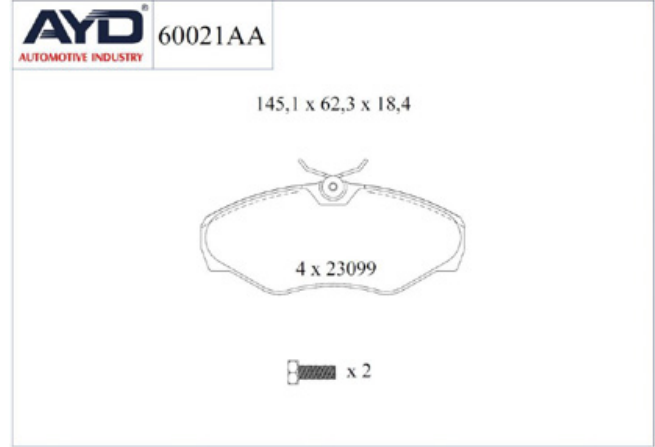


BRAKE PAD

BALATA

- Front Axle

- OEM Standarts
- AYD Quality
- Safety
- Performance



OE:

6024371662

6025371279

7701050914

11-60021AA

WVA :23099

Technical Specifications:

Shim	Wear Indicator	Indicator Type	Piston Spring	Compression Spring	Rivet	Clips	Bolt	Plastic Plug	Kit
4	-		-	4	-	-	2	-	-

RENAULT

MODEL	START D.	END Y.
ESPACE III (JE0_)	1996/11	2002/10
TRAFIC II Minibüs/Otobüs (JL)	2001/03	
TRAFIC II Panelvan/Van (FL)	2001/03	
TRAFIC II Platform şasi (EL)	2001/03	

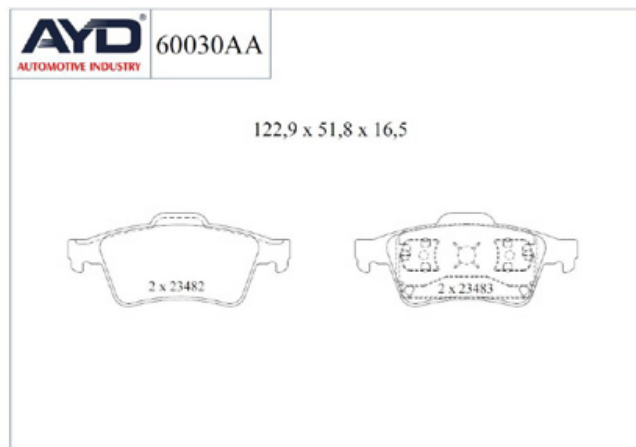


BRAKE PAD

BALATA

- Front Axle

- OEM Standarts
- AYD Quality
- Safety
- Performance



OE:

44060BA00F

7701206609

7701207968

11-60030AA

WVA :23482-23483

Technical Specifications:

Shim	Wear Indicator	Indicator Type	Piston Spring	Compression Spring	Rivet	Clips	Bolt	Plastic Plug	Kit
4	-		-	-	-	2	-	-	-

RENAULT

MODEL	START D.	END Y.
ESPACE IV (JK0/1_)	2002/11	
LAGUNA II (BG0/1_)	2001/03	2007/12
LAGUNA II Grandtour (KG0/1_)	2001/03	2007/12
MEGANE II (BM0/1_, CM0/1_)	2001/07	2012/10
VEL SATIS (BJ0_)	2002/06	



BRAKE PAD

BALATA

- Rear Axle

- OEM Standarts
- AYD Quality
- Safety
- Performance



OE:

440600819R

440602466R

440603511R

11-60033AA

WVA :23554

Technical Specifications:

Shim	Wear Indicator	Indicator Type	Piston Spring	Compression Spring	Rivet	Clips	Bolt	Plastic Plug	Kit
4	-		-	4	-	-	2	-	-

RENAULT

MODEL	START D.	END Y.
AVANTIME (DE0_)	2001/09	2003/05
CLIO III (BR0/1, CR0/1)	2005/01	2014/12
CLIO III Grandtour (KR0/1_)	2007/11	
CLIO III Kasa/ežik arka (SB_, SR_)	2005/06	
CLIO IV (BH_)	2012/11	
ESPACE III (JE0_)	1996/11	2002/10
FLUENCE (L3_)	2010/02	
GRAND SCÉNIC II (JM0/1_)	2004/04	2009/06
GRAND SCÉNIC III (JZ0/1_)	2009/02	
GRAND SCÉNIC IV (R9_)	2016/09	
MEGANE CC (EZ0/1_)	2010/06	
MEGANE II (BM0/1_, CM0/1_)	2001/07	2012/10

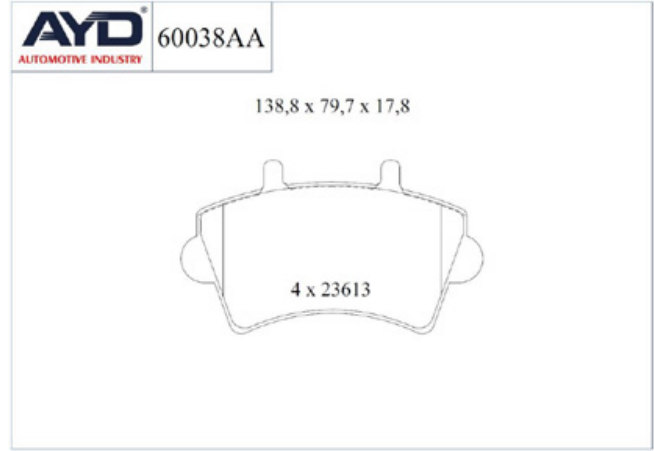


BRAKE PAD

BALATA

- Front Axle

- OEM Standarts
- AYD Quality
- Safety
- Performance



OE:
7701206727
7701207339

11-60038AA

WVA :23613

Technical Specifications:

Shim	Wear Indicator	Indicator Type	Piston Spring	Compression Spring	Rivet	Clips	Bolt	Plastic Plug	Kit
4	-		-	-	-	-	-	-	-

RENAULT

MODEL	START D.	END Y.
MASTER II Minibüs/Otobüs (JD)	1998/03	
MASTER II Panelvan/Van (FD)	1998/07	
MASTER II Platform şasi (ED/HD/UD)	1998/07	

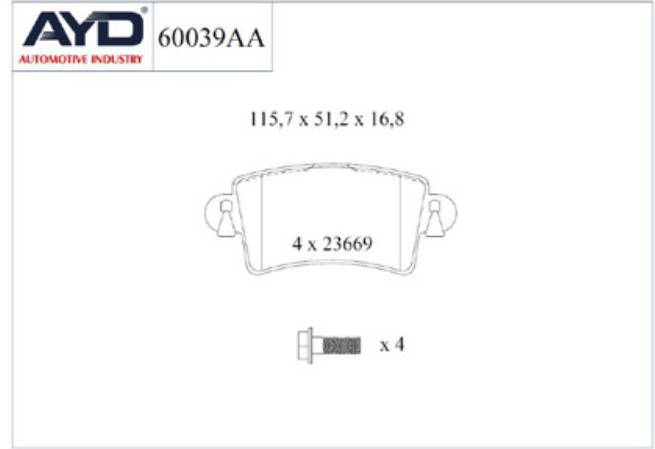


BRAKE PAD

BALATA

- Rear Axle

- OEM Standarts
- AYD Quality
- Safety
- Performance



OE:
7701206763

11-60039AA

WVA :23669

Technical Specifications:

Shim	Wear Indicator	Indicator Type	Piston Spring	Compression Spring	Rivet	Clips	Bolt	Plastic Plug	Kit
4	-		-	8	-	-	4	-	-

RENAULT

MODEL	START D.	END Y.
MASTER II Minibüs/Otobüs (JD)	1998/03	
MASTER II Panelvan/Van (FD)	1998/07	
MASTER II Platform şasi (ED/HD/UD)	1998/07	



BRAKE PAD

BALATA

- Rear Axle

- OEM Standarts
- AYD Quality
- Safety
- Performance



OE:

440607091R

440607337R

7701050918

11-60051AA

WVA :23980

Technical Specifications:

Shim	Wear Indicator	Indicator Type	Piston Spring	Compression Spring	Rivet	Clips	Bolt	Plastic Plug	Kit
4	-		-	4	-	-	2	-	-

RENAULT

MODEL	START D.	END Y.
TRAFIC II Minibüs/Otobüs (JL)	2001/03	
TRAFIC II Panelvan/Van (FL)	2001/03	
TRAFIC II Platform şasi (EL)	2001/03	
TRAFIC III Minibüs/Otobüs (JG_)	2014/05	
TRAFIC III Panelvan/Van (FG_)	2014/05	
TRAFIC III Platform şasi (EG_)	2014/05	

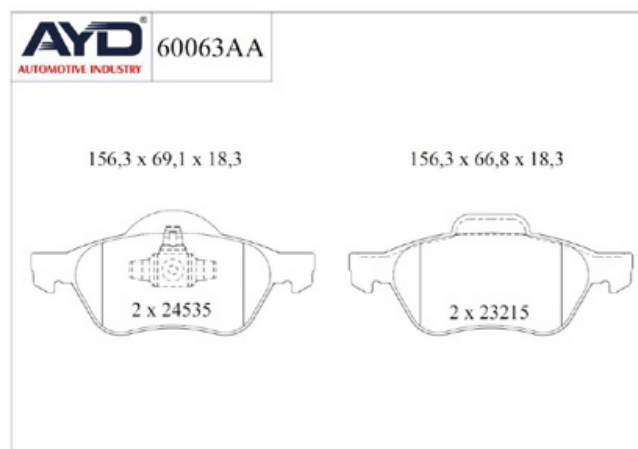


BRAKE PAD

BALATA

- Front Axle

- OEM Standarts
- AYD Quality
- Safety
- Performance



OE:

7701209100

410601237R

7701209670

11-60063AA

WVA :24535-23215

Technical Specifications:

Shim	Wear Indicator	Indicator Type	Piston Spring	Compression Spring	Rivet	Clips	Bolt	Plastic Plug	Kit
4	-		2	-	-	-	-	-	-

RENAULT

MODEL	START D.	END Y.
CLIO III (BR0/1, CR0/1)	2005/01	2014/12
MEGANE II (BM0/1_, CM0/1_)	2001/07	2012/10
MEGANE II Coupé-Cabriolet (EM0/1_)	2003/09	2010/03
MEGANE II Hatchback Van (KM0/2_)	2003/08	2009/07
MEGANE II Kombi van (KM_)	2003/08	2009/07
MEGANE II Sedan (LM0/1_)	2003/08	
MEGANE II Station wagon (KM0/1_)	2003/08	2012/08
SCÉNIC I MPV (JA0/1_, FA0_)	1999/08	2010/07
SCÉNIC II (JM0/1_)	2003/06	2010/07

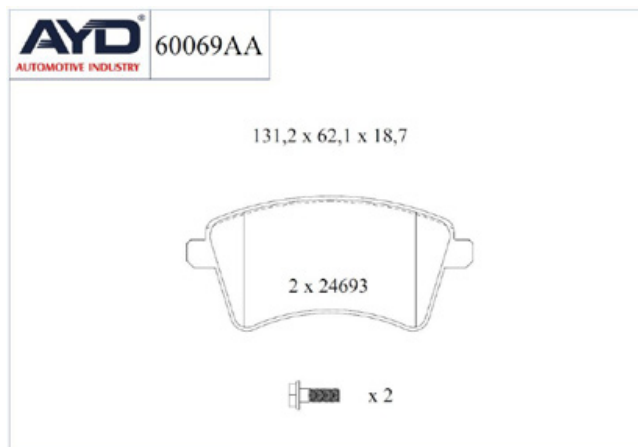
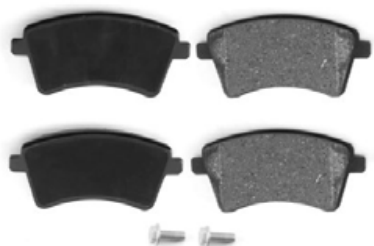


BRAKE PAD

BALATA

- Front Axle

- OEM Standarts
- AYD Quality
- Safety
- Performance



OE:

410601334R

410603750R

7701209864

11-60069AA

WVA :24693

Technical Specifications:

Shim	Wear Indicator	Indicator Type	Piston Spring	Compression Spring	Rivet	Clips	Bolt	Plastic Plug	Kit
4	-		-	-	-	-	2	-	-

RENAULT

MODEL	START D.	END Y.
KANGOO / GRAND KANGOO (KW0/1_)	2008/02	
KANGOO BE BOP (KW0/1_)	2009/02	
KANGOO Express (FW0/1_)	2008/02	

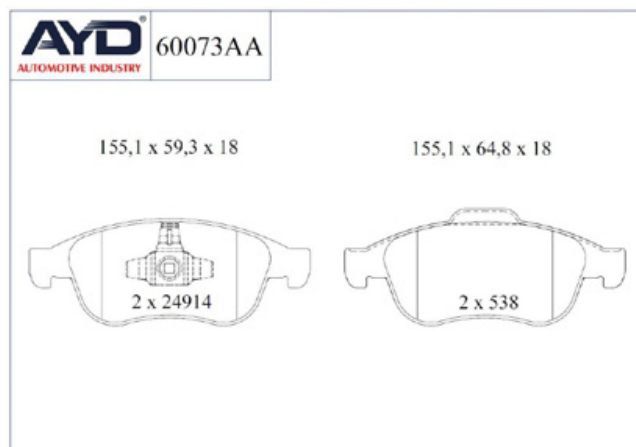


BRAKE PAD

BALATA

- Front Axle

- OEM Standarts
- AYD Quality
- Safety
- Performance



OE:

410300379R

410600379R

410605961R

11-60073AA

WVA :24914

Technical Specifications:

Shim	Wear Indicator	Indicator Type	Piston Spring	Compression Spring	Rivet	Clips	Bolt	Plastic Plug	Kit
4	-		2	-	-	-	-	-	-

RENAULT

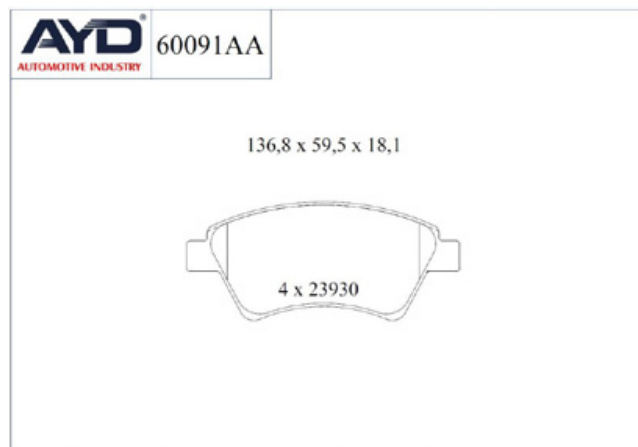
MODEL	START D.	END Y.
CAPTUR I (J5_, H5_)	2013/06	
CLIO V (B7_)	2019/06	
DOKKER	2013/12	
DUSTER (HM_)	2017/10	
DUSTER (HS_)	2011/01	
FLUENCE (L3_)	2010/02	
GRAND SCÉNIC III (JZ0/1_)	2009/02	
KAPTUR (H5_)	2016/03	
MEGANE CC (EZ0/1_)	2010/06	
MEGANE III Combi Van (KZ0/1)	2009/01	2015/08
MEGANE III Coupe (DZ0/1_)	2008/11	
MEGANE III Grandtour (KZ0/1)	2008/11	



BALATA

- Front Axle

- OEM Standarts
- AYD Quality
- Safety
- Performance



OE:

410608713R

410601241R

7701206044

11-60091AA

WVA :23930

Technical Specifications:

Shim	Wear Indicator	Indicator Type	Piston Spring	Compression Spring	Rivet	Clips	Bolt	Plastic Plug	Kit
4	-		-	-	-	-	-	-	-

RENAULT

MODEL	START D.	END Y.
GRAND SCÉNIC II (JM0/1_)	2004/04	2009/06
KANGOO (KC0/1_)	1997/08	
KANGOO Express (FC0/1_)	1997/08	
MEGANE II (BM0/1_, CM0/1_)	2001/07	2012/10
MEGANE II Coupé-Cabriolet (EM0/1_)	2003/09	2010/03
MEGANE II Hatchback Van (KM0/2_)	2003/08	2009/07
MEGANE II Kombi van (KM_)	2003/08	2009/07
MEGANE II Sedan (LM0/1_)	2003/08	
MEGANE II Station wagon (KM0/1_)	2003/08	2012/08
SCÉNIC II (JM0/1_)	2003/06	2010/07

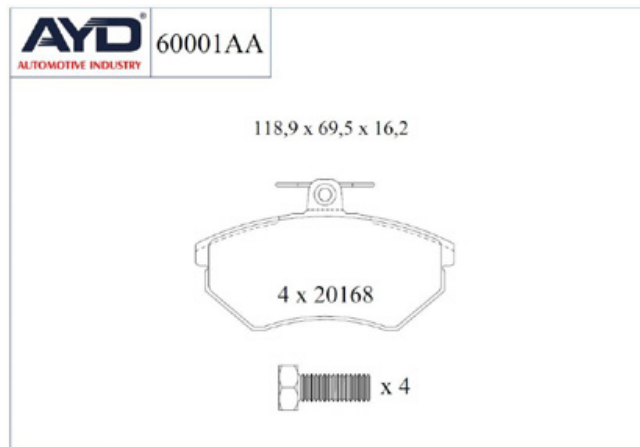


BRAKE PAD

BALATA

- Front Axle

- OEM Standarts
- AYD Quality
- Safety
- Performance



OE:

357698151A

357698151D

357698151H

11-60001AA

WVA :20168

Technical Specifications:

Shim	Wear Indicator	Indicator Type	Piston Spring	Compression Spring	Rivet	Clips	Bolt	Plastic Plug	Kit
4	-		-	4	4	-	4	-	-

SEAT

MODEL	START D.	END Y.
TOLEDO I (1L2)	1991/01	1999/10

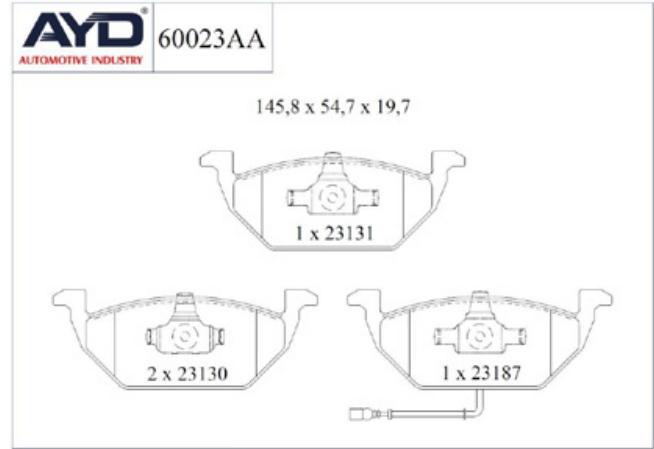


BRAKE PAD

BALATA

- Front Axle

- OEM Standarts
- AYD Quality
- Safety
- Performance



OE:

1J0698151D
1J0698151E
1J0698151F

11-60023AA

WVA :23130-23131-23187

Technical Specifications:

Shim	Wear Indicator	Indicator Type	Piston Spring	Compression Spring	Rivet	Clips	Bolt	Plastic Plug	Kit
4	1	Kablolu	4	-	-	-	-	-	-

SEAT

MODEL	START D.	END Y.
ALTEA (5P1)	2004/03	
ALTEA XL (5P5, 5P8)	2006/10	
ARONA (KJ7)	2017/07	
CORDOBA (6L2)	2002/09	2009/11
CORDOBA Vario (6K5)	1996/07	2002/12
IBIZA III (6L1)	2002/02	2009/11
IBIZA IV (6J5, 6P1)	2008/03	2017/12
IBIZA IV Kasa/eğik arka (6J1)	2008/04	2015/05
IBIZA IV SC (6J1, 6P5)	2008/06	2018/12
IBIZA IV ST (6J8, 6P8)	2010/03	2016/07
IBIZA V (KJ1)	2017/01	
LEON (1M1)	1999/11	2006/06

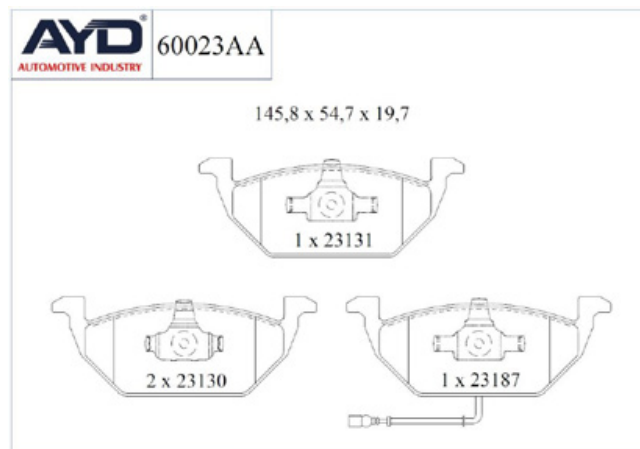


BRAKE PAD

BALATA

- Front Axle

- OEM Standarts
- AYD Quality
- Safety
- Performance



OE:

1J0698151D
1J0698151E
1J0698151F

11-60023AA

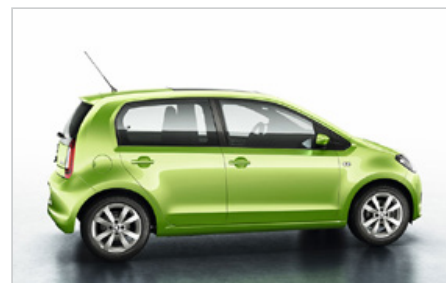
WVA :23130-23131-23187

Technical Specifications:

Shim	Wear Indicator	Indicator Type	Piston Spring	Compression Spring	Rivet	Clips	Bolt	Plastic Plug	Kit
4	1	Kablolu	4	-	-	-	-	-	-

SKODA

MODEL	START D.	END Y.
CITIGO (NF1)	2011/10	2019/08
FABIA I (6Y2)	1999/08	2008/03
FABIA I Combi (6Y5)	2000/04	2007/12
FABIA I Praktik (6Y5)	2000/01	2007/12
FABIA I Sedan (6Y3)	1999/10	2007/12
FABIA II (542)	2006/12	2014/12
FABIA II Combi (545)	2007/10	2014/12
FABIA III (NJ3)	2014/08	
FABIA III Station wagon (NJ5)	2014/08	
KAMIQ (NW4)	2019/07	
OCTAVIA I (1U2)	1996/09	2010/12
OCTAVIA I Combi (1U5)	1998/07	2010/12

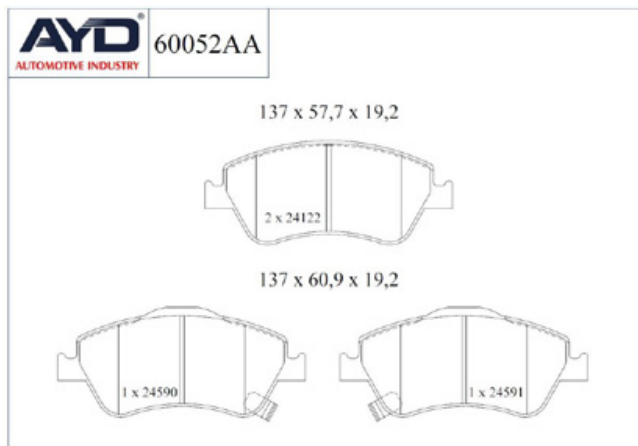


BRAKE PAD

BALATA

- Front Axle

- OEM Standarts
- AYD Quality
- Safety
- Performance



OE:

0446502160

0446502200

0446502210

11-60052AA

WVA :24122-24590-24591

Technical Specifications:

Shim	Wear Indicator	Indicator Type	Piston Spring	Compression Spring	Rivet	Clips	Bolt	Plastic Plug	Kit
4	2	Metal	-	-	-	-	-	-	-

TOYOTA

MODEL	START D.	END Y.
AURIS (_E15_)	2006/10	2012/09
AURIS Kasa/eğik arka (_E15_)	2007/03	2012/09
COROLLA Sedan (_E15_)	2006/10	



BRAKE PAD

BALATA

- Rear Axle

- OEM Standarts
- AYD Quality
- Safety
- Performance



OE:
3649110

11-60033AA

WVA :23554

Technical Specifications:

Shim	Wear Indicator	Indicator Type	Piston Spring	Compression Spring	Rivet	Clips	Bolt	Plastic Plug	Kit
4	-		-	4	-	-	2	-	-

VAUXHALL

MODEL	START D.	END Y.
CROSSLAND X (P17)	2017/03	



BRAKE PAD

BALATA

- Rear Axle

- OEM Standarts
- AYD Quality
- Safety
- Performance



OE:

93192389

95518305

95528432

11-60051AA

WVA :23980

Technical Specifications:

Shim	Wear Indicator	Indicator Type	Piston Spring	Compression Spring	Rivet	Clips	Bolt	Plastic Plug	Kit
4	-		-	4	-	-	2	-	-

VAUXHALL

MODEL	START D.	END Y.
VIVARO A Minibüs/Otobüs (X83)	2001/08	2014/07
VIVARO A Panelvan/Van (X83)	2001/08	2014/07
VIVARO A Platform şasi (X83)	2003/04	2014/07
VIVARO B Minibüs/Otobüs (X82)	2014/05	
VIVARO B Panelvan/Van (X82)	2014/05	
VIVARO B Platform şasi (X82)	2014/05	

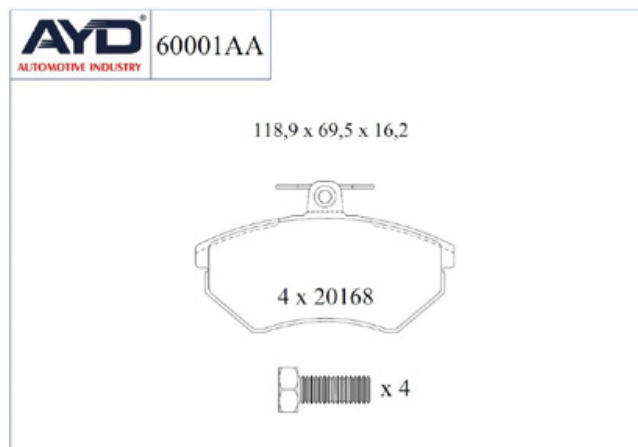


BRAKE PAD

BALATA

- Front Axle

- OEM Standarts
- AYD Quality
- Safety
- Performance



OE:

357698151D
357698151A
357698151H

11-60001AA

WVA :20168

Technical Specifications:

Shim	Wear Indicator	Indicator Type	Piston Spring	Compression Spring	Rivet	Clips	Bolt	Plastic Plug	Kit
4	-		-	4	4	-	4	-	-

VW

MODEL	START D.	END Y.
CORRADO (53I)	1987/08	1995/12
GOLF III Variant (1H5)	1993/07	1999/04
GOLF Van III Variant (1H5)	1991/08	1999/12
PASSAT B2 (32B)	1979/09	1989/06
PASSAT B3/B4 Variant (3A5, 35I)	1988/02	1997/06
PASSAT B5.5 Variant (3B6)	2000/09	2005/08
SCIROCCO (53B)	1980/08	1992/07

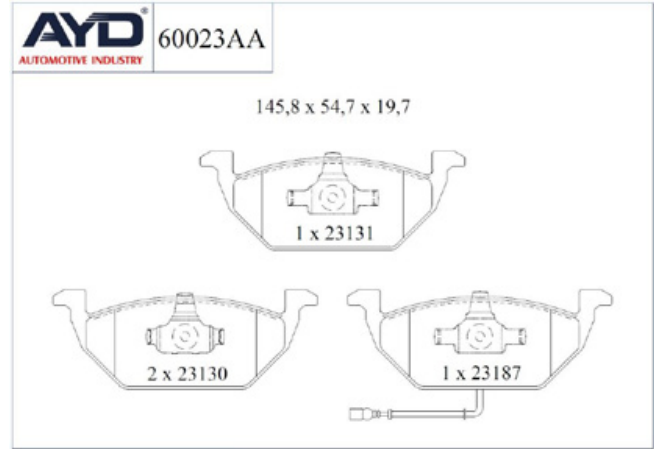


BRAKE PAD

BALATA

- Front Axle

- OEM Standarts
- AYD Quality
- Safety
- Performance



OE:

1J0698151E
1J0698151D
1J0698151F

11-60023AA

WVA :23130-23131-23187

Technical Specifications:

Shim	Wear Indicator	Indicator Type	Piston Spring	Compression Spring	Rivet	Clips	Bolt	Plastic Plug	Kit
4	1	Kablolu	4	-	-	-	-	-	-

VW

MODEL	START D.	END Y.
BEETLE (5C1, 5C2)	2011/04	2019/07
BEETLE Cabrio (5C7, 5C8)	2011/12	2019/07
BORA	2007/01	
BORA I (1J2)	1998/10	2013/12
BORA Variant (1J6)	1999/05	2005/05
CADDY III Kasa/büyük limuzin (2KA, 2KH, 2CA, 2CB)	2004/03	2015/05
CADDY III MPV (2KB, 2KJ, 2CB, 2CJ)	2004/03	2015/05
FOX Hatchback (5Z1, 5Z3, 5Z4)	2003/08	2015/10
FOX Hatchback (5Z5)	2014/08	
FOX Van (5Z1)	2010/09	2011/12
GOL VII	2016/01	
GOL VIII	2018/02	

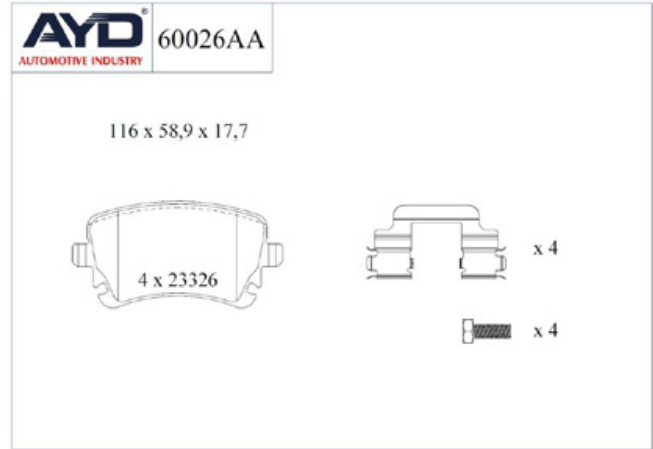
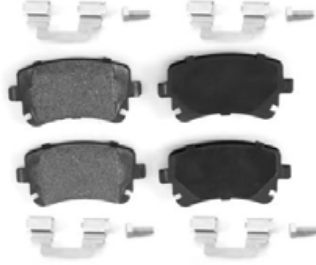


BRAKE PAD

BALATA

- Rear Axle

- OEM Standarts
- AYD Quality
- Safety
- Performance



OE:

4B3698451A

4F0698451H

7H0698451A

11-60026AA

WVA :23326

Technical Specifications:

Shim	Wear Indicator	Indicator Type	Piston Spring	Compression Spring	Rivet	Clips	Bolt	Plastic Plug	Kit
4	-		-	-	-	4	4	-	-

VW

MODEL	START D.	END Y.
EOS (1F7, 1F8)	2006/03	2015/08
MULTIVAN V (7HM, 7HN, 7HF, 7EF, 7EM, 7EN)	2003/04	2015/08
MULTIVAN VI (SGF, SGM, SGN, SHM, SHN)	2015/04	
SCIROCCO III (137, 138)	2008/05	2017/11
TRANSPORTER / CARAVELLE VI Minibüs/Otobüs	2015/04	
TRANSPORTER V Minibüs/Otobüs (7HB, 7HJ, 7EB,	2003/04	2015/08
TRANSPORTER V Panelvan/Van (7HA, 7HH, 7EA,	2003/04	
TRANSPORTER V Platform şasi (7JD, 7JE, 7JL,	2003/04	2015/08
TRANSPORTER VI Panelvan/Van (SGA, SGH, SHA,	2015/04	

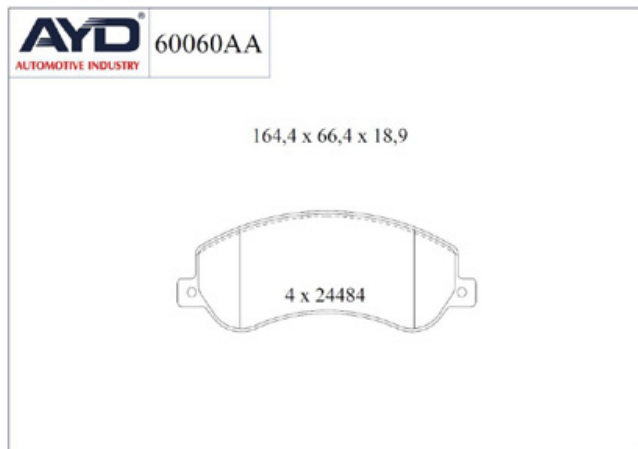


BRAKE PAD

BALATA

- Front Axle

- OEM Standarts
- AYD Quality
- Safety
- Performance



OE:

2H0698151

2H0698151A

JZW698151AM

11-60060AA

WVA :24484

Technical Specifications:

Shim	Wear Indicator	Indicator Type	Piston Spring	Compression Spring	Rivet	Clips	Bolt	Plastic Plug	Kit
4	-		-	-	-	-	-	-	-

VW

MODEL	START D.	END Y.
AMAROK (2HA, 2HB, S1B, S6B, S7A, S7B)	2010/09	
AMAROK Platform şasi (S1B, S6B, S7B)	2011/09	

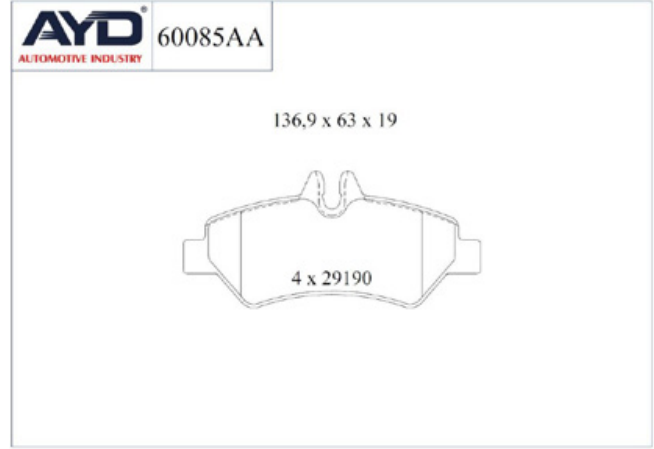


BRAKE PAD

BALATA

- Rear Axle

- OEM Standarts
- AYD Quality
- Safety
- Performance



OE:

2E0698451

2E0698451H

11-60085AA

WVA :29190

Technical Specifications:

Shim	Wear Indicator	Indicator Type	Piston Spring	Compression Spring	Rivet	Clips	Bolt	Plastic Plug	Kit
4	-		-	-	-	-	-	-	-

VW

MODEL	START D.	END Y.
CRAFTER 30-35 Minibüs/Otobüs (2E_)	2006/04	2016/12
CRAFTER 30-50 Panelvan/Van (2E_)	2006/04	2016/12
CRAFTER 30-50 Platform şasi (2F_)	2006/04	2016/12

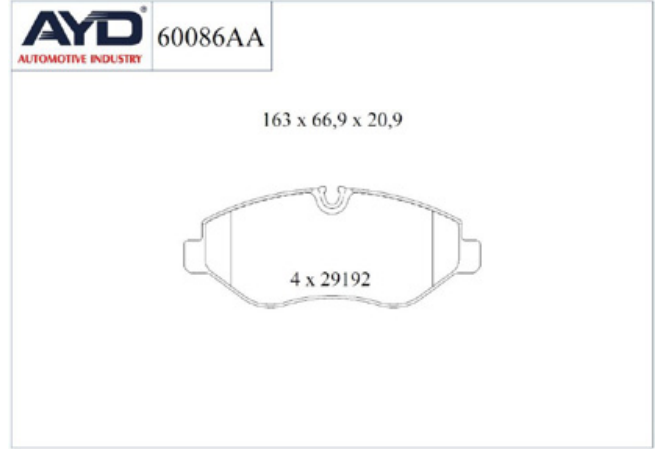


BRAKE PAD

BALATA

- Front Axle

- OEM Standarts
- AYD Quality
- Safety
- Performance



OE:

2E0698151
2E0698151B
2E0698151E

11-60086AA

WVA :29192

Technical Specifications:

Shim	Wear Indicator	Indicator Type	Piston Spring	Compression Spring	Rivet	Clips	Bolt	Plastic Plug	Kit
4	-		-	-	-	-	-	-	-

VW

MODEL	START D.	END Y.
CRAFTER 30-35 Minibüs/Otobüs (2E_)	2006/04	2016/12
CRAFTER 30-50 Panelvan/Van (2E_)	2006/04	2016/12
CRAFTER 30-50 Platform şasi (2F_)	2006/04	2016/12

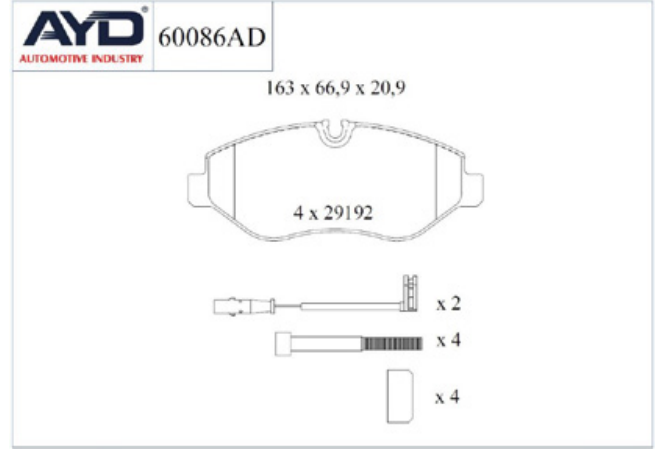
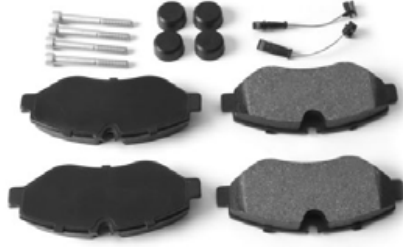


BRAKE PAD

BALATA

- Front Axle

- OEM Standarts
- AYD Quality
- Safety
- Performance



OE:
2E0698151-M3

11-60086AD

WVA :29192

Technical Specifications:

Shim	Wear Indicator	Indicator Type	Piston Spring	Compression Spring	Rivet	Clips	Bolt	Plastic Plug	Kit
4	2		-	-	-	-	-	-	Evet

VW

MODEL	START D.	END Y.
CRAFTER 30-35 Minibüs/Otobüs (2E_)	2006/04	2016/12
CRAFTER 30-50 Panelvan/Van (2E_)	2006/04	2016/12
CRAFTER 30-50 Platform şasi (2F_)	2006/04	2016/12

