

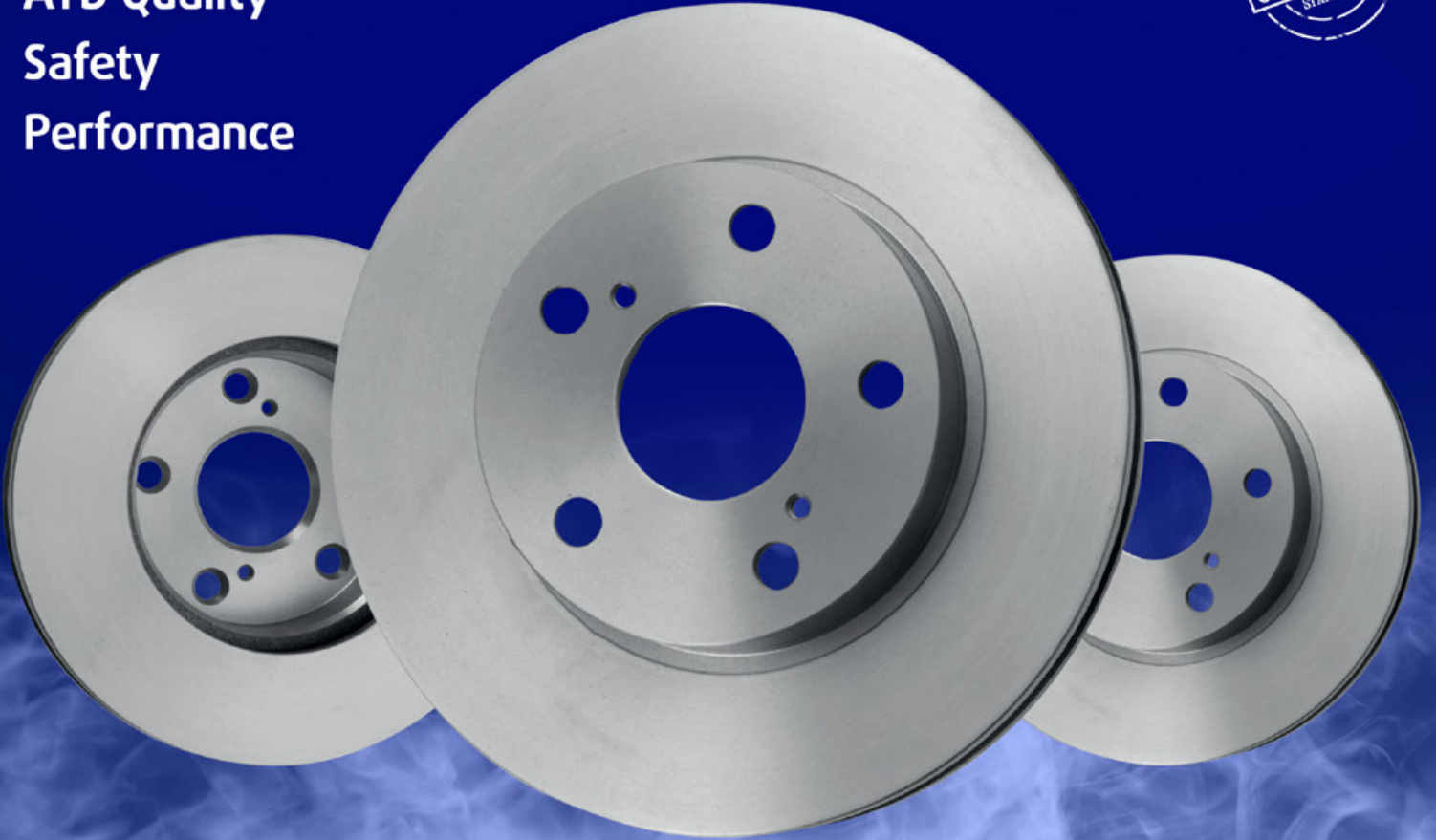
**new to range**

**AYD**<sup>®</sup>  
AUTOMOTIVE INDUSTRY

THANKS TO AYD POWER AND ALL UNDER ONE ROOF STRATEGY

# BRAKING NEW GROUND

OEM Standards  
AYD Quality  
Safety  
Performance



[www.aydtr.com](http://www.aydtr.com)



**OCTOBER 2021**

## INDEX

<b>ALFA ROMEO</b> .....	<b>3-4</b>
<b>AUDI</b> .....	<b>5-8</b>
<b>CITROEN</b> .....	<b>9-12</b>
<b>DACIA</b> .....	<b>13-18</b>
<b>DS</b> .....	<b>19</b>
<b>FIAT</b> .....	<b>20-23</b>
<b>FORD</b> .....	<b>24-27</b>
<b>LANCIA</b> .....	<b>28-30</b>
<b>MAZDA</b> .....	<b>31</b>
<b>MERCEDES BENZ</b> .....	<b>32-35</b>
<b>NISSAN</b> .....	<b>36-38</b>
<b>OPEL</b> .....	<b>39-41</b>
<b>PEUGEOT</b> .....	<b>42-45</b>
<b>RENAULT</b> .....	<b>46-52</b>
<b>SEAT</b> .....	<b>53-57</b>
<b>SKODA</b> .....	<b>58-61</b>
<b>SMART</b> .....	<b>62</b>
<b>TOYOTA</b> .....	<b>63</b>
<b>VAUXHALL</b> .....	<b>64-66</b>
<b>VOLKSWAGEN</b> .....	<b>67-74</b>

## BRAKE DISC

FREN DISK

- Front Axle
- Vented
- Oiled

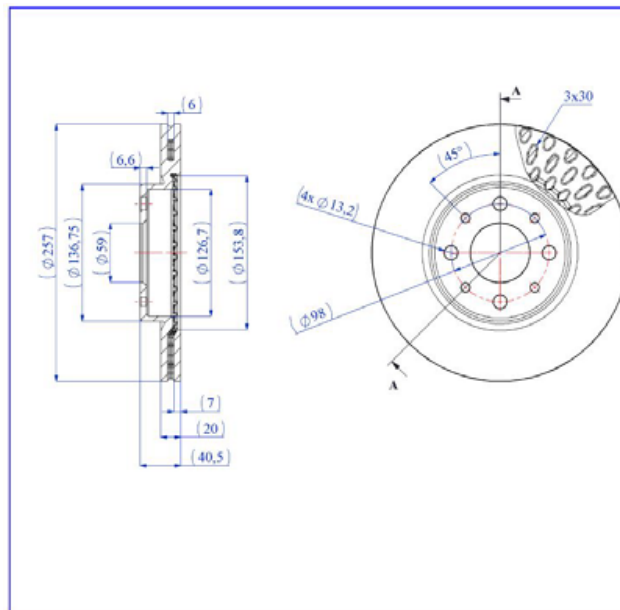
- **OEM Standarts**
- **AYD Quality**
- **Safety**
- **Performance**

OE:

71738145

60806137

46423415



AYD NO  
**10-50152**

MATERIAL  
**TYPE-1**

WEIGHT  
**4,87 KG**

BALANCING  
**100 %**



**10-50152**

### Technical Specifications:

Diameter (mm)	Height (mm)	Brake Disc Thickness (mm)	Min. Thickness (mm)	Centering Diameter (mm)	Bolt Hole Circle (mm)	Num. of Holes
257	40.5	20	18.2	59	98	4+4

## ALFA ROMEO

MODEL	START Y.	END Y.
145 (930_)	1994/07	2001/01
146 (930_)	1994/12	2001/10
155 (167_)	1992/01	1997/12



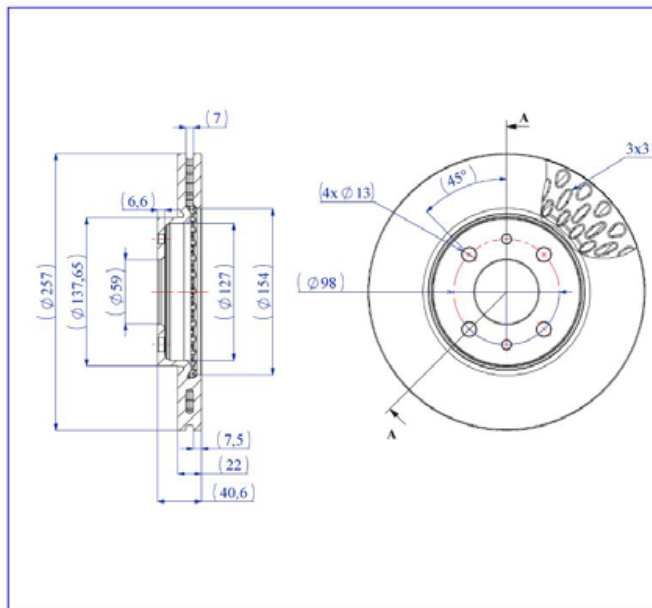
## BRAKE DISC

FREN DISK

- Front Axle
- Vented
- Oiled

- **OEM Standarts**
- **AYD Quality**
- **Safety**
- **Performance**

OE:  
46831041  
46401356  
60812137



**AYD**  
AUTOMOTIVE INDUSTRY

AYD NO  
**10-50192**

MATERIAL  
**TYPE-1**

WEIGHT  
**5.19 KG**

BALANCING  
**100 %**



**10-50192**

### Technical Specifications:

Diameter (mm)	Height (mm)	Brake Disc Thickness (mm)	Min. Thickness (mm)	Centering Diameter (mm)	Bolt Hole Circle (mm)	Num. of Holes
257	40.6	22	20.2	59	98	4+2

## ALFA ROMEO

MODEL	START Y.	END Y.
MITO (955_)	2008/08	



## BRAKE DISC

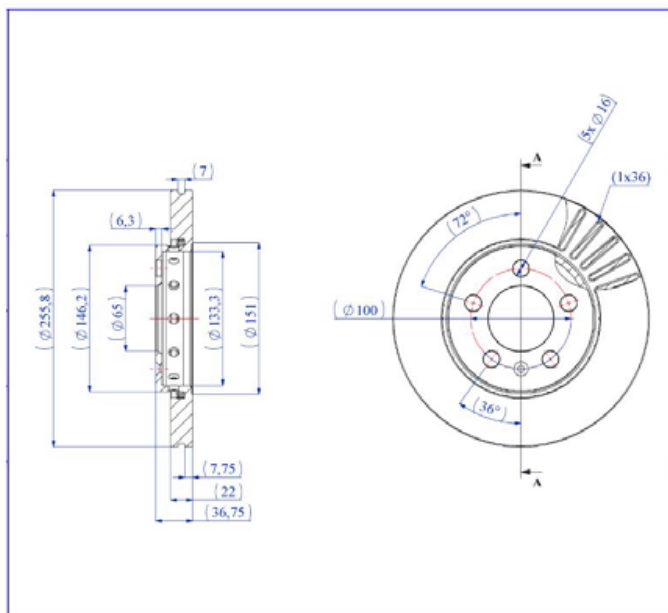
FREN DISK

- Front Axle
- Vented
- Oiled

- OEM Standarts
- AYD Quality
- Safety
- Performance

OE:

6R0615301  
8Z0615301D  
1J0615301L



AYD NO  
**10-50153**

MATERIAL  
**TYPE-1**

WEIGHT  
**5.06 KG**

BALANCING  
**100 %**



**10-50153**

### Technical Specifications:

Diameter (mm)	Height (mm)	Brake Disc Thickness (mm)	Min. Thickness (mm)	Centering Diameter (mm)	Bolt Hole Circle (mm)	Num. of Holes
255.8	36.75	22	19	65	100	5+1

## AUDI

MODEL	START Y.	END Y.
A1 (8X1, 8XK)	2010/05	2018/10
A1 Sportback (8XA, 8XF)	2011/09	2018/10
A3 (8L1)	1996/09	2006/09



## BRAKE DISC

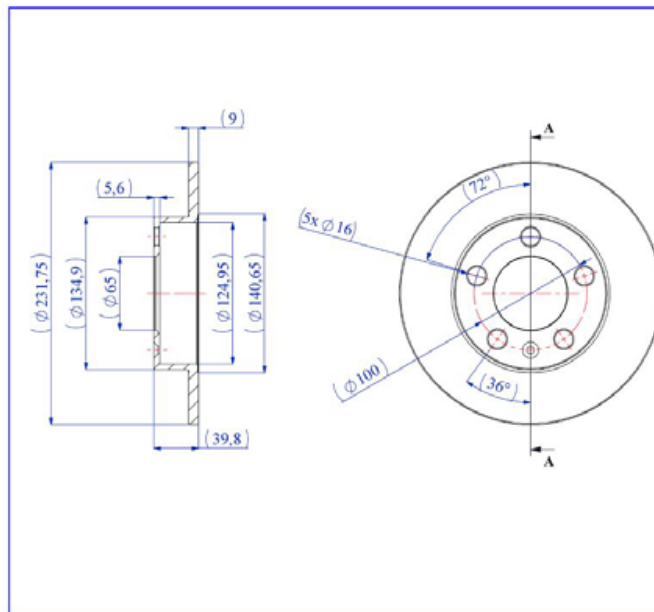
FREN DISK

- Rear Axle
- Solid
- Oiled

- OEM Standarts
- AYD Quality
- Safety
- Performance

OE:

1J0615601P  
1J0615601Q  
1J0615601



AYD NO  
**10-50156**

MATERIAL  
**TYPE-1**

WEIGHT  
**2.69 KG**

BALANCING  
**100 %**



**10-50156**

### Technical Specifications:

Diameter (mm)	Height (mm)	Brake Disc Thickness (mm)	Min. Thickness (mm)	Centering Diameter (mm)	Bolt Hole Circle (mm)	Num. of Holes
231.75	39.8	9	7	65	100	5+1

## AUDI

MODEL	START Y.	END Y.
A1 (8X1, 8XK)	2010/05	2018/10
A1 Sportback (8XA, 8XF)	2011/09	2018/10
A1 Sportback (GBA)	2018/07	
A2 (8Z0)	2000/02	2005/08
A3 (8L1)	1996/09	2006/09
TT (8N3)	1998/10	2006/12
TT Roadster (8N9)	1999/10	2006/12



## BRAKE DISC

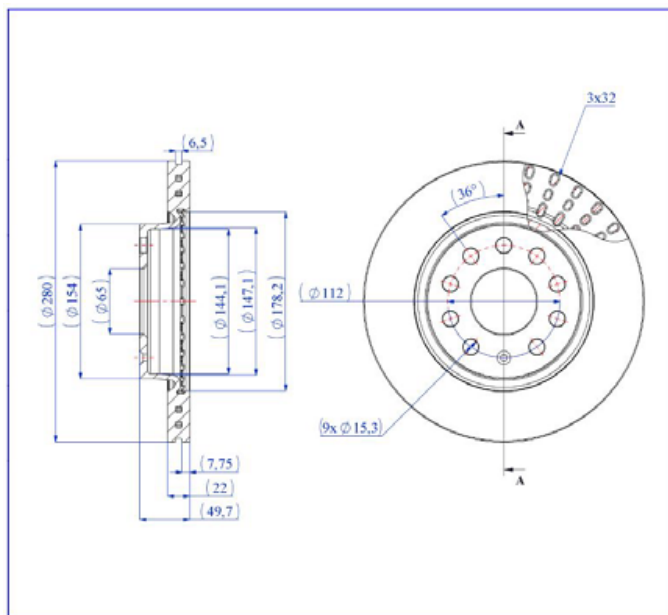
FREN DISK

- Front Axle
- Vented
- Oiled

- OEM Standarts
- AYD Quality
- Safety
- Performance

OE:

1K0615301AC  
1K0615301S  
1K0615301AS



AYD NO  
**10-50162**

MATERIAL  
**TYPE-1**

WEIGHT  
**5.67 KG**

BALANCING  
**100 %**



**10-50162**

### Technical Specifications:

Diameter (mm)	Height (mm)	Brake Disc Thickness (mm)	Min. Thickness (mm)	Centering Diameter (mm)	Bolt Hole Circle (mm)	Num. of Holes
280	49.7	22	19	65	112	9+1

## AUDI

MODEL	START Y.	END Y.
A3 (8P1)	2003/05	2013/12
A3 Cabrio (8P7)	2008/04	2013/05
A3 Sportback (8PA)	2004/09	2015/12



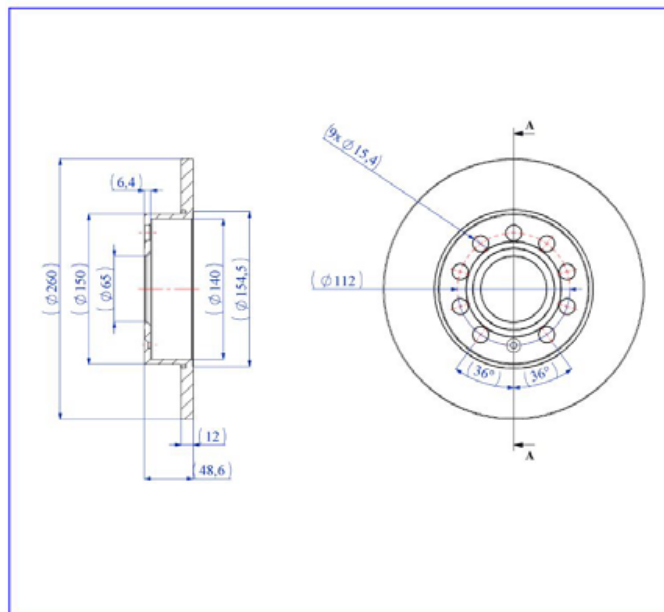
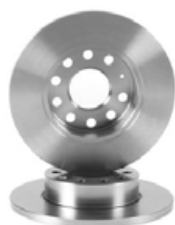
## BRAKE DISC

FREN DISK

- Rear Axle
- Solid
- Oiled

- OEM Standarts
- AYD Quality
- Safety
- Performance

OE:  
1K0615601AJ  
1K0615601L



AUTOMOTIVE INDUSTRY

AYD NO  
**10-50180**

MATERIAL  
**TYPE-1**

WEIGHT  
**4.25 KG**

BALANCING  
**100 %**



**10-50180**

### Technical Specifications:

Diameter (mm)	Height (mm)	Brake Disc Thickness (mm)	Min. Thickness (mm)	Centering Diameter (mm)	Bolt Hole Circle (mm)	Num. of Holes
260	48.6	12	10	65	112	9+1

## AUDI

MODEL	START Y.	END Y.
A3 (8P1)	2003/05	2013/12
A3 Cabrio (8P7)	2008/04	2013/05
A3 Sportback (8PA)	2004/09	2015/12





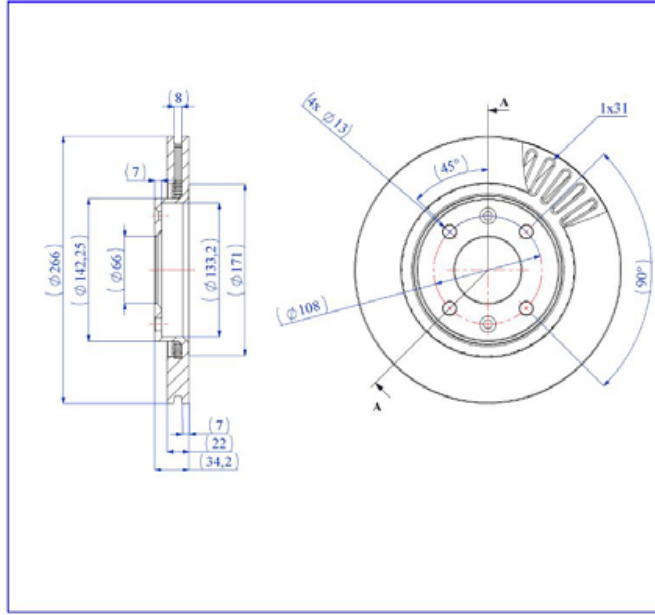
## BRAKE DISC

FREN DISK

- Front Axle
- Vented
- Oiled

- OEM Standarts
- AYD Quality
- Safety
- Performance

OE:  
424983  
4246W1  
1629058880



**AYD**  
AUTOMOTIVE INDUSTRY

AYD NO  
**10-50151**

MATERIAL  
**TYPE-1**

WEIGHT  
**5.05 KG**

BALANCING  
**100 %**



**10-50151**

### Technical Specifications:

Diameter (mm)	Height (mm)	Brake Disc Thickness (mm)	Min. Thickness (mm)	Centering Diameter (mm)	Bolt Hole Circle (mm)	Num. of Holes
266	34.2	22	20	66	108	4+2

## CITROËN

MODEL	START Y.	END Y.
BERLINGO / BERLINGO FIRST Kasa/büyük limuzin	1996/07	2011/12
BERLINGO / BERLINGO FIRST MPV (MF_, GJK_, C-ELYSEE (DD_)	1996/07	2011/12
C2 (JM_)	2012/11	
C3 AIRCROSS II (2R_, 2C_)	2003/07	2017/09
C3 AIRCROSS II Van (2C_, 2R_)	2017/06	
C3 I (FC_, FN_)	2017/06	
C3 II (SC_)	2002/02	
C3 II Kasa/eğik arka (SC_)	2009/09	
C3 III (SX)	2010/06	
C3 III Van (SX_, SY_)	2016/07	
	2016/07	



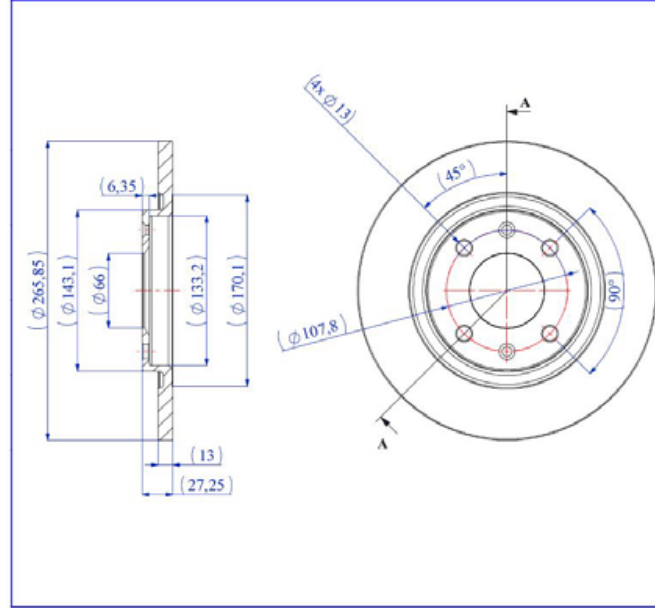
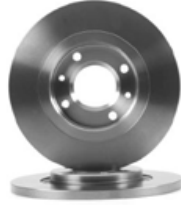
## BRAKE DISC

FREN DISK

- Front Axle
- Solid
- Oiled

- OEM Standarts
- AYD Quality
- Safety
- Performance

OE:  
1618890380  
424982  
4246R4



**AYD**  
AUTOMOTIVE INDUSTRY

AYD NO  
**10-50189**

MATERIAL  
**TYPE-1**

WEIGHT  
**4.25 KG**

BALANCING  
**100 %**



**10-50189**

### Technical Specifications:

Diameter (mm)	Height (mm)	Brake Disc Thickness (mm)	Min. Thickness (mm)	Centering Diameter (mm)	Bolt Hole Circle (mm)	Num. of Holes
265.85	27.25	13	11	66	107.8	4+2

## CITROËN

MODEL	START Y.	END Y.
BERLINGO / BERLINGO FIRST Kasa/büyük limuzin	1996/07	2011/12
BERLINGO / BERLINGO FIRST MPV (MF_, GJK_,	1996/07	2011/12
C-ELYSEE (DD_)	2012/11	
C2 (JM_)	2003/07	2017/09
C2 ENTERPRISE (JG_)	2003/11	2009/12
C3 I (FC_, FN_)	2002/02	
C3 II (SC_)	2009/09	
C4 CACTUS	2014/09	



## BRAKE DISC

FREN DISK

- Front Axle
- Vented
- Oiled

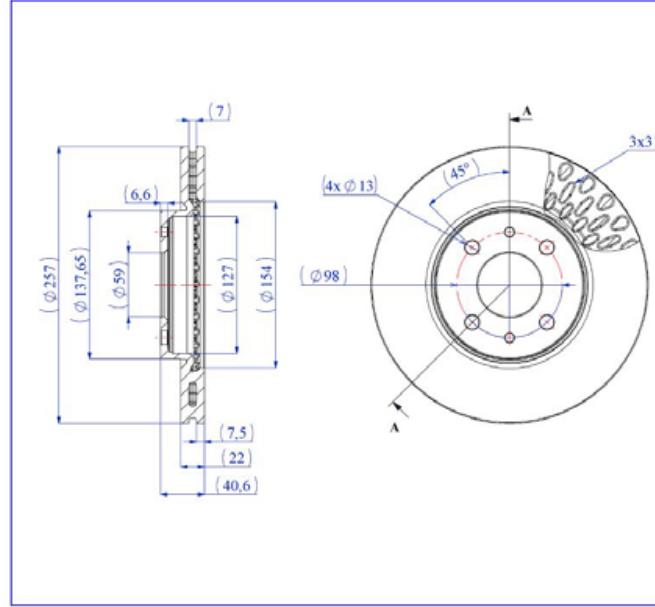
- OEM Standarts
- AYD Quality
- Safety
- Performance

OE:

424973

424974

424900000



**AYD**  
AUTOMOTIVE INDUSTRY

AYD NO  
**10-50192**

MATERIAL  
**TYPE-1**

WEIGHT  
**5.19 KG**

BALANCING  
**100 %**



**10-50192**

### Technical Specifications:

Diameter (mm)	Height (mm)	Brake Disc Thickness (mm)	Min. Thickness (mm)	Centering Diameter (mm)	Bolt Hole Circle (mm)	Num. of Holes
257	40.6	22	20.2	59	98	4+2

## CITROËN

MODEL	START Y.	END Y.
NEMO Kasa/büyük limuzin (AA_)	2008/02	
NEMO MPV	2009/04	



## BRAKE DISC

FREN DISK

- Rear Axle
- Solid
- Oiled

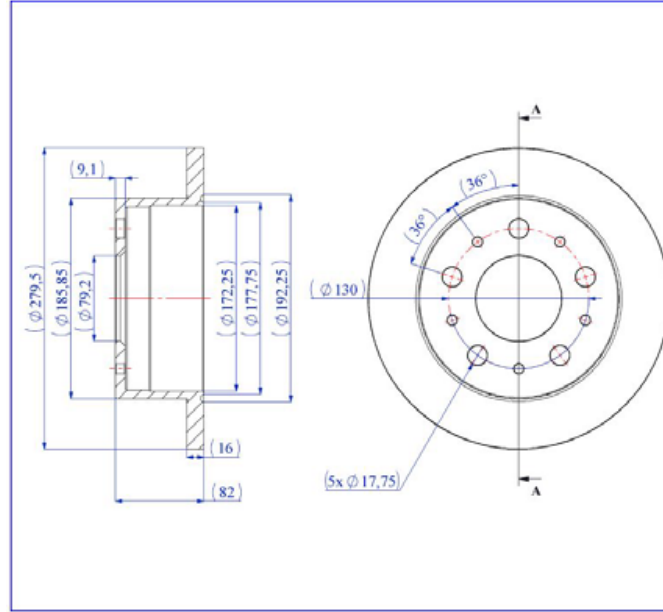
- OEM Standarts
- AYD Quality
- Safety
- Performance

OE:

1618863480

4246Z1

1606401780



**AYD**<sup>®</sup>  
AUTOMOTIVE INDUSTRY

AYD NO  
**10-50488**

MATERIAL  
**TYPE-1**

WEIGHT  
**7.24 KG**

BALANCING  
**100 %**



**10-50488**

### Technical Specifications:

Diameter (mm)	Height (mm)	Brake Disc Thickness (mm)	Min. Thickness (mm)	Centering Diameter (mm)	Bolt Hole Circle (mm)	Num. of Holes
279.5	82	16	14.2	79.2	130	5+5

## CITROËN

MODEL	START Y.	END Y.
JUMPER Minibüs/Otobüs (230P)	1994/02	2002/04
JUMPER Minibüs/Otobüs (244, Z_)	2002/04	
JUMPER Panelvan/Van (230L)	1994/02	2002/08
JUMPER Panelvan/Van (244)	2002/04	
JUMPER Platform şasi (230)	1994/03	2002/04
JUMPER Platform şasi (244)	2002/02	

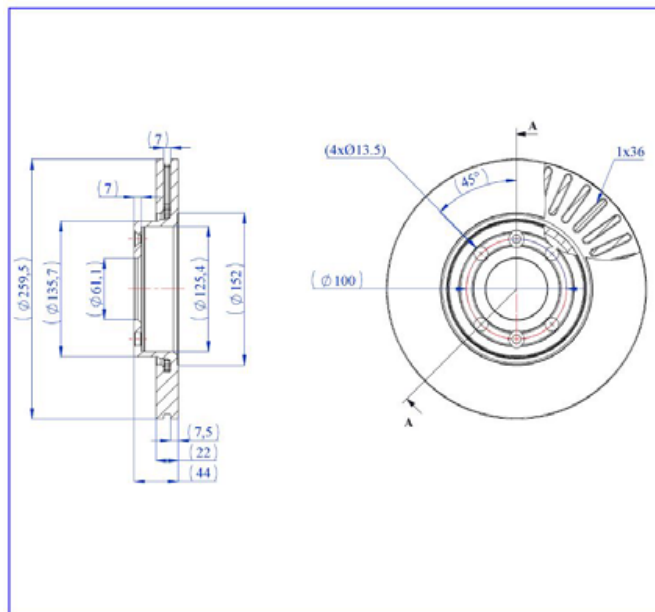


## BRAKE DISC

FREN DISK

- Front Axle
- Vented
- Oiled

- OEM Standarts
- AYD Quality
- Safety
- Performance



**AYD**  
AUTOMOTIVE INDUSTRY

AYD NO  
**10-50163**

MATERIAL  
**TYPE-1**

WEIGHT  
**5.48 KG**

BALANCING  
**100 %**



OE:  
7701207795

**10-50163**

### Technical Specifications:

Diameter (mm)	Height (mm)	Brake Disc Thickness (mm)	Min. Thickness (mm)	Centering Diameter (mm)	Bolt Hole Circle (mm)	Num. of Holes
259.5	44	22	19.8	61.1	100	4+2

## DACIA

MODEL	START Y.	END Y.
LOGAN (LS_)	2004/08	
LOGAN EXPRESS (FS_)	2009/03	
LOGAN MCV (KS_)	2007/02	
LOGAN Pick-up (US_)	2008/03	
SANDERO	2008/06	



## BRAKE DISC

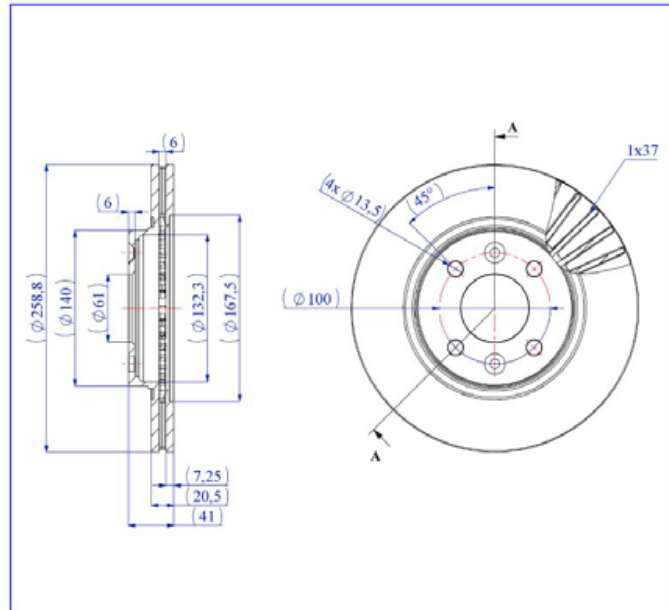
FREN DISK

- Front Axle
- Vented
- Oiled

- OEM Standarts
- AYD Quality
- Safety
- Performance

OE:  
7701206339  
60 01 548 578

**10-50166**



**AYD**  
AUTOMOTIVE INDUSTRY

AYD NO  
**10-50166**

MATERIAL  
**TYPE-1**

WEIGHT  
**4.7 KG**

BALANCING  
**100 %**



### Technical Specifications:

Diameter (mm)	Height (mm)	Brake Disc Thickness (mm)	Min. Thickness (mm)	Centering Diameter (mm)	Bolt Hole Circle (mm)	Num. of Holes
258.8	41	20.5	17.7	61	100	4+2

## DACIA

MODEL	START Y.	END Y.
LOGAN (LS_)	2004/08	
LOGAN II	2012/10	
LOGAN MCV (KS_)	2007/02	
SANDERO	2008/06	
SANDERO II	2012/10	



## BRAKE DISC

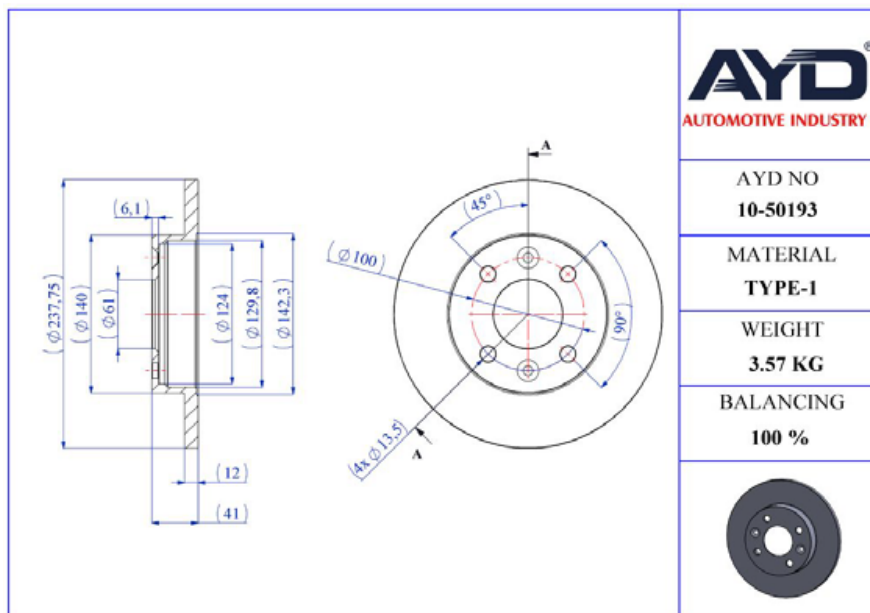
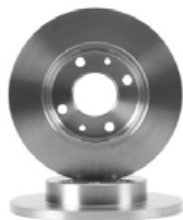
FREN DISK

- Front Axle
- Solid
- Oiled

- OEM Standarts
- AYD Quality
- Safety
- Performance

OE:  
6001549211

**10-50193**



**AYD**  
AUTOMOTIVE INDUSTRY

AYD NO  
**10-50193**

MATERIAL  
**TYPE-1**

WEIGHT  
**3.57 KG**

BALANCING  
**100 %**



### Technical Specifications:

Diameter (mm)	Height (mm)	Brake Disc Thickness (mm)	Min. Thickness (mm)	Centering Diameter (mm)	Bolt Hole Circle (mm)	Num. of Holes
237.75	41	12	10.6	61	100	4+2

## DACIA

MODEL	START Y.	END Y.
LOGAN (LS_)	2004/08	
LOGAN EXPRESS (FS_)	2009/03	
LOGAN MCV (KS_)	2007/02	
LOGAN Pick-up (US_)	2008/03	
SANDERO	2008/06	

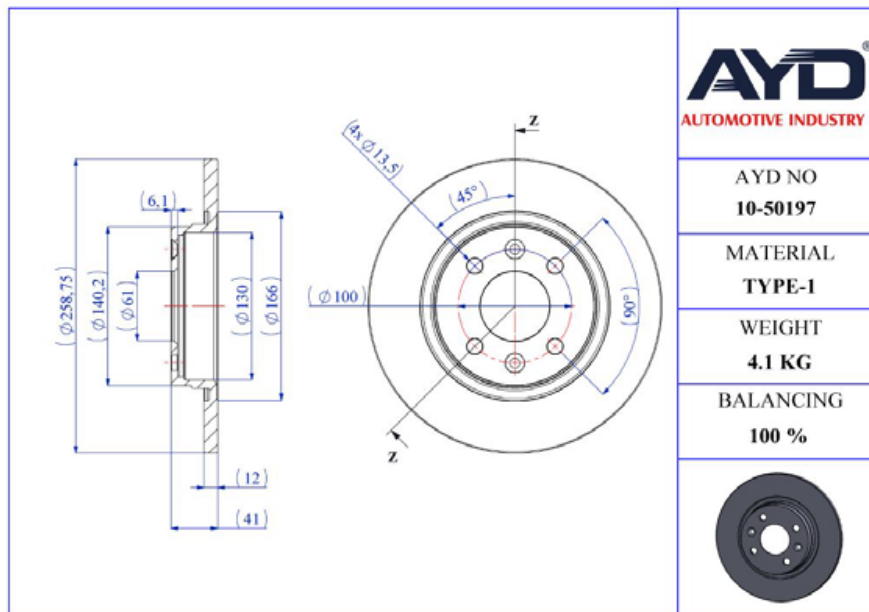


## BRAKE DISC

FREN DISK

- Front Axle
- Solid
- Oiled

- **OEM Standarts**
- **AYD Quality**
- **Safety**
- **Performance**



**AYD**  
AUTOMOTIVE INDUSTRY

AYD NO  
**10-50197**

MATERIAL  
**TYPE-1**

WEIGHT  
**4.1 KG**

BALANCING  
**100 %**



OE:  
402065345R

**10-50197**

### Technical Specifications:

Diameter (mm)	Height (mm)	Brake Disc Thickness (mm)	Min. Thickness (mm)	Centering Diameter (mm)	Bolt Hole Circle (mm)	Num. of Holes
258.75	41	12	10.6	61	100	4+2

## DACIA

MODEL	START Y.	END Y.
LOGAN (LS_)	2004/08	
LOGAN EXPRESS (FS_)	2009/03	
LOGAN II	2012/10	
LOGAN MCV (KS_)	2007/02	
LOGAN Pick-up (US_)	2008/03	
SANDERO	2008/06	
SANDERO II	2012/10	



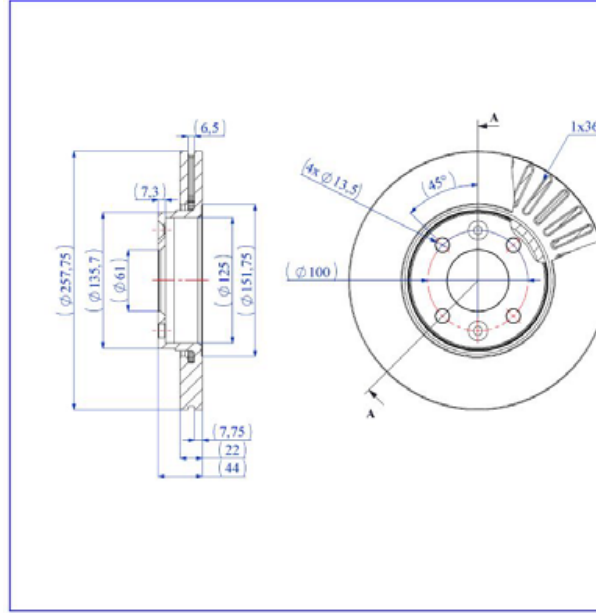


## BRAKE DISC

FREN DISK

- Front Axle
- Vented
- Oiled

- OEM Standarts
- AYD Quality
- Safety
- Performance



**AYD**  
AUTOMOTIVE INDUSTRY

AYD NO  
**10-50205**

MATERIAL  
**TYPE-1**

WEIGHT  
**5.61 KG**

BALANCING  
**100 %**



OE:  
7701210081

**10-50205**

### Technical Specifications:

Diameter (mm)	Height (mm)	Brake Disc Thickness (mm)	Min. Thickness (mm)	Centering Diameter (mm)	Bolt Hole Circle (mm)	Num. of Holes
257.75	44	22	19.8	61	100	4+2

## DACIA

MODEL	START Y.	END Y.
DOKKER Express Kasa/büyük limuzin	2012/11	
DOKKER MPV (KE_)	2012/11	
LODGY (JS_)	2012/03	



## BRAKE DISC

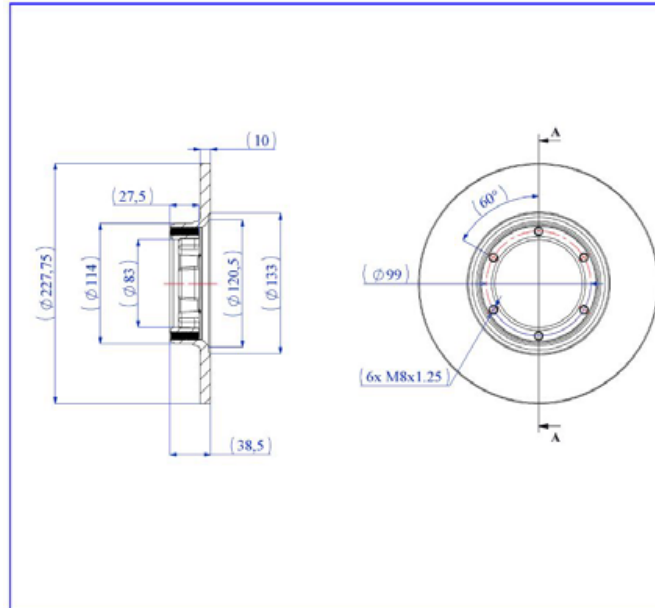
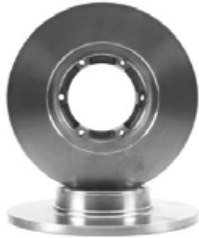
FREN DISK

- Front Axle
- Solid
- Oiled

- OEM Standarts
- AYD Quality
- Safety
- Performance

OE:  
7700502515

**10-50392**



**AYD**  
AUTOMOTIVE INDUSTRY

AYD NO  
**10-50392**

MATERIAL  
**TYPE-1**

WEIGHT  
**2.83 KG**

BALANCING  
**100 %**



### Technical Specifications:

Diameter (mm)	Height (mm)	Brake Disc Thickness (mm)	Min. Thickness (mm)	Centering Diameter (mm)	Bolt Hole Circle (mm)	Num. of Holes
227.75	38.5	10	9	83	99	6

## DACIA

MODEL	START Y.	END Y.
1300	1972/12	1983/05
1300 Station wagon	1972/12	1983/05
1307 Platform şasi	1984/06	1994/11
1309 Platform şasi	1990/09	1994/11
1310 Sedan (U, X)	1983/05	2004/07
1310 Station wagon	1983/05	2004/07
1325	1989/05	1996/05
1410 Sedan	1985/09	1998/12
1410 Station wagon	1994/06	1998/12
1410 Station wagon	1985/09	1998/12
PICK UP	1989/09	2008/05

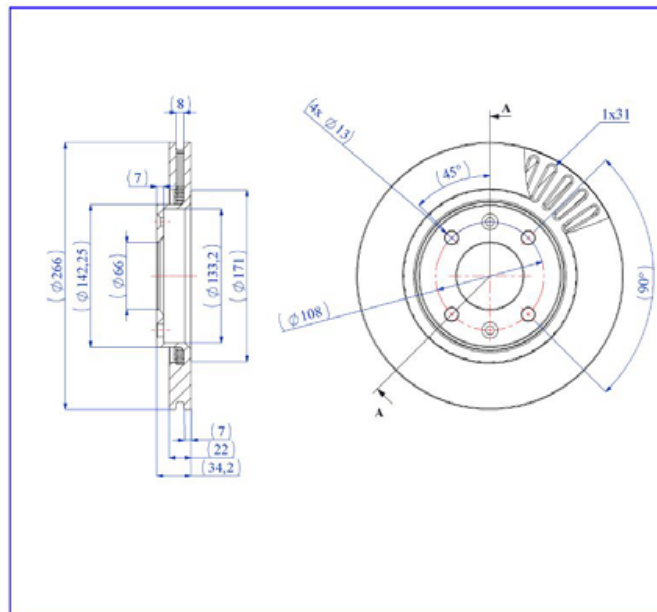


## BRAKE DISC

FREN DISK

- Front Axle
- Vented
- Oiled

- OEM Standarts
- AYD Quality
- Safety
- Performance

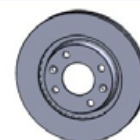


AYD NO  
**10-50151**

MATERIAL  
**TYPE-1**

WEIGHT  
**5.05 KG**

BALANCING  
**100 %**



OE:

**10-50151**

### Technical Specifications:

Diameter (mm)	Height (mm)	Brake Disc Thickness (mm)	Min. Thickness (mm)	Centering Diameter (mm)	Bolt Hole Circle (mm)	Num. of Holes
266	34.2	22	20	66	108	4+2

## DS

MODEL	START Y.	END Y.
DS 3 (SA_)	2015/04	2019/07
DS 3 Cabrio (SB_)	2015/07	2019/07

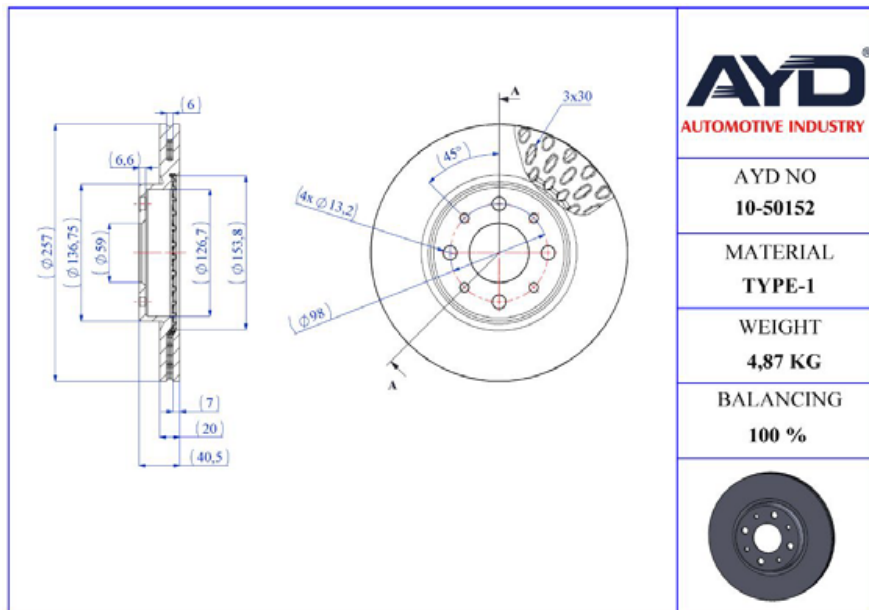


## BRAKE DISC

FREN DISK

- Front Axle
- Vented
- Oiled

- **OEM Standarts**
- **AYD Quality**
- **Safety**
- **Performance**



OE:  
46416712

**10-50152**

### Technical Specifications:

Diameter (mm)	Height (mm)	Brake Disc Thickness (mm)	Min. Thickness (mm)	Centering Diameter (mm)	Bolt Hole Circle (mm)	Num. of Holes
257	40.5	20	18.2	59	98	4+4

## FIAT

MODEL	START Y.	END Y.
BRAVA (182_)	1995/10	2003/06
BRAVO I (182_)	1995/10	2001/10
DOBLO Kasa/büyük limuzin (223_)	2000/11	
DOBLO MPV (119_, 223_)	2001/03	
MAREA (185_)	1996/05	2007/12
MAREA Weekend (185_)	1996/09	2007/12
PALIO (178_)	1996/04	
PALIO Weekend (178_, 173_, 373_, 374_, 171_)	1996/04	
PUNTO (176_)	1993/09	1999/09
PUNTO (188_)	1999/09	2012/07
PUNTO Kasa/eğik arka (188_)	2000/02	2010/12





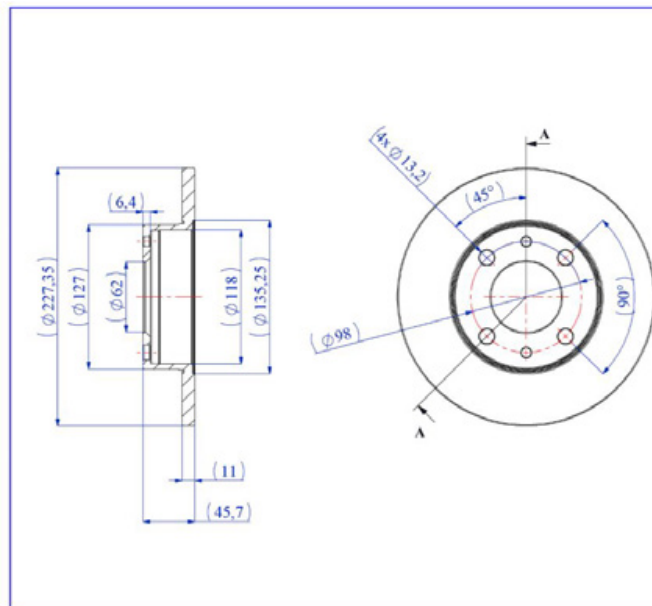
## BRAKE DISC

FREN DISK

- Front Axle
- Rear Axle
- Solid

- OEM Standarts
- AYD Quality
- Safety
- Performance

OE:  
984377102  
61948  
61750



**AYD**  
AUTOMOTIVE INDUSTRY

AYD NO  
**10-50195**

MATERIAL  
**TYPE-I**

WEIGHT  
**3.02 KG**

BALANCING  
**100 %**



**10-50195**

### Technical Specifications:

Diameter (mm)	Height (mm)	Brake Disc Thickness (mm)	Min. Thickness (mm)	Centering Diameter (mm)	Bolt Hole Circle (mm)	Num. of Holes
227.35	45.7	11	9	62	98	4+2

## FIAT

MODEL	START Y.	END Y.
124 (124_)	1966/07	1975/07
124 Coupe (124_)	1967/06	1976/02
124 Familiare (124_)	1967/04	1975/03
124 Spider (124_)	1966/01	1985/11
125 (125_)	1967/07	1974/03
127 (127_)	1971/06	1996/05
128 (128_)	1969/03	1984/12
128 Coupe (128_)	1972/03	1981/02
128 Familiare (128_)	1969/10	1982/10
131 (131_)	1974/10	1987/03
131 Familiare/Panorama (131_)	1975/03	1984/12



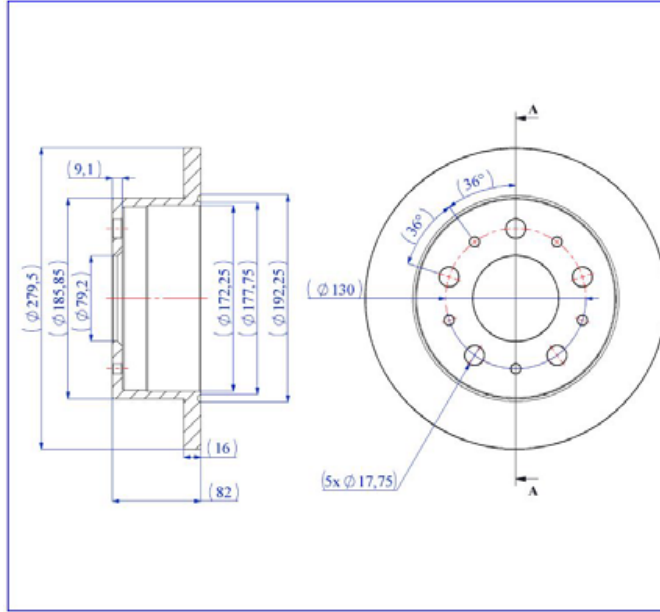
## BRAKE DISC

FREN DISK

- Rear Axle
- Solid
- Oiled

- OEM Standarts
- AYD Quality
- Safety
- Performance

OE:  
46833807  
51740248  
51856412



**AYD**  
AUTOMOTIVE INDUSTRY

AYD NO  
**10-50488**

MATERIAL  
**TYPE-1**

WEIGHT  
**7.24 KG**

BALANCING  
**100 %**



**10-50488**

### Technical Specifications:

Diameter (mm)	Height (mm)	Brake Disc Thickness (mm)	Min. Thickness (mm)	Centering Diameter (mm)	Bolt Hole Circle (mm)	Num. of Holes
279.5	82	16	14.2	79.2	130	5+5

## FIAT

MODEL	START Y.	END Y.
DUCATO Minibüs/Otobüs (230_)	1994/03	2005/05
DUCATO Minibüs/Otobüs (244_)	2002/04	
DUCATO Minibüs/Otobüs (250_, 290_)	2006/07	
DUCATO Panelvan/Van (230_)	1994/03	2005/05
DUCATO Panelvan/Van (244_)	2002/04	
DUCATO Panelvan/Van (250_, 290_)	2006/07	
DUCATO Platform şasi (230_)	1994/03	2002/04
DUCATO Platform şasi (244_)	2002/04	
DUCATO Platform şasi (250_, 290_)	2006/07	



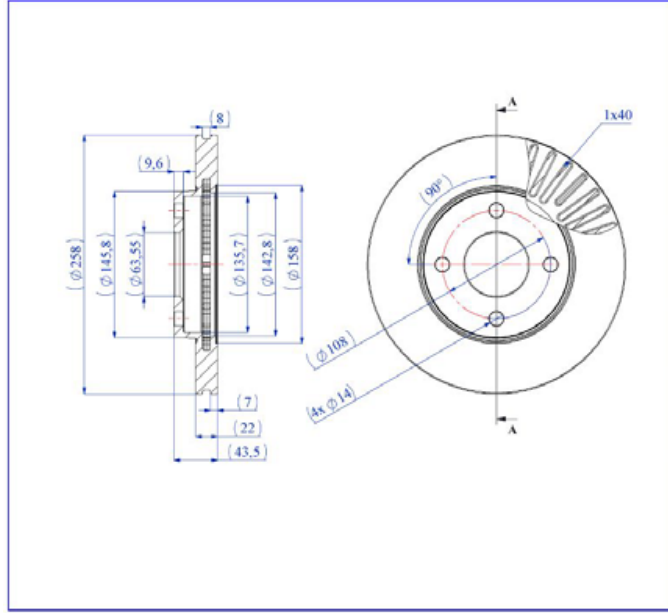
## BRAKE DISC

FREN DISK

- Front Axle
- Vented
- Oiled

- OEM Standarts
- AYD Quality
- Safety
- Performance

OE:  
3555344  
98AB1125DC  
98AB1125BE



**AYD**  
AUTOMOTIVE INDUSTRY

AYD NO  
**10-50165**

MATERIAL  
**TYPE-1**

WEIGHT  
**5.3 KG**

BALANCING  
**100 %**



**10-50165**

### Technical Specifications:

Diameter (mm)	Height (mm)	Brake Disc Thickness (mm)	Min. Thickness (mm)	Centering Diameter (mm)	Bolt Hole Circle (mm)	Num. of Holes
258	43.5	22	20	63.55	108	4

## FORD

MODEL	START Y.	END Y.
FIESTA IV (JA_, JB_)	1995/08	2006/06
FIESTA Kasa/büyük limuzin (J5_, J3_)	1996/02	
FIESTA Kasa/büyük limuzin (JV_)	1998/05	2003/08
FIESTA V (JH_, JD_)	2001/11	2014/12
FIESTA V Van	2002/05	2010/12
FOCUS I (DAW, DBW)	1998/09	2009/11
FOCUS I Kombi van (DNW)	1998/08	2005/03
FOCUS I Sedan (DFW)	1999/02	2009/11
FOCUS I Turnier (DNW)	1999/02	2007/12
FUSION (JU_)	2002/08	2012/12
KA (RB_)	1996/09	2008/11





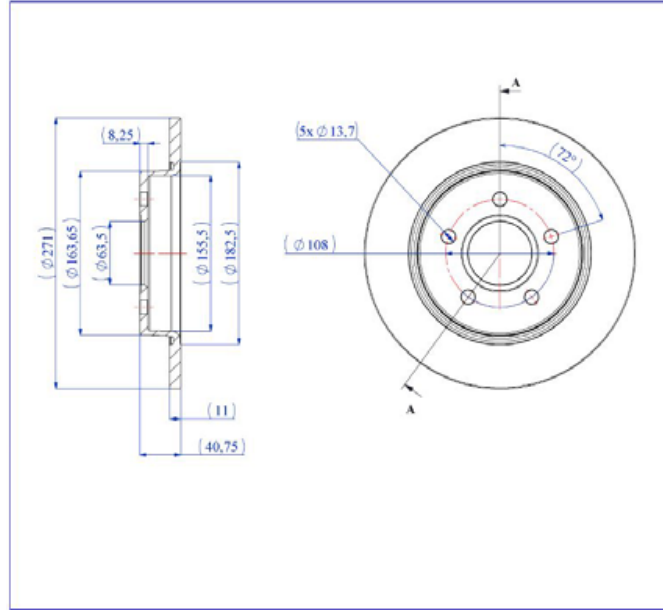
## BRAKE DISC

FREN DISK

- Rear Axle
- Solid
- Oiled

- OEM Standarts
- AYD Quality
- Safety
- Performance

OE:  
1704765  
BV612A315BA  
2023618



**AYD**  
AUTOMOTIVE INDUSTRY

AYD NO  
**10-50324**

MATERIAL  
**TYPE-1**

WEIGHT  
**4.26 KG**

BALANCING  
**100 %**



**10-50324**

### Technical Specifications:

Diameter (mm)	Height (mm)	Brake Disc Thickness (mm)	Min. Thickness (mm)	Centering Diameter (mm)	Bolt Hole Circle (mm)	Num. of Holes
271	40.75	11	9	63.5	108	5

## FORD

MODEL	START Y.	END Y.
FOCUS III	2010/07	
FOCUS III Kasa/eğik arka	2011/01	
FOCUS III Kombi van	2012/02	
FOCUS III Sedan	2010/07	
FOCUS III Turnier	2010/07	



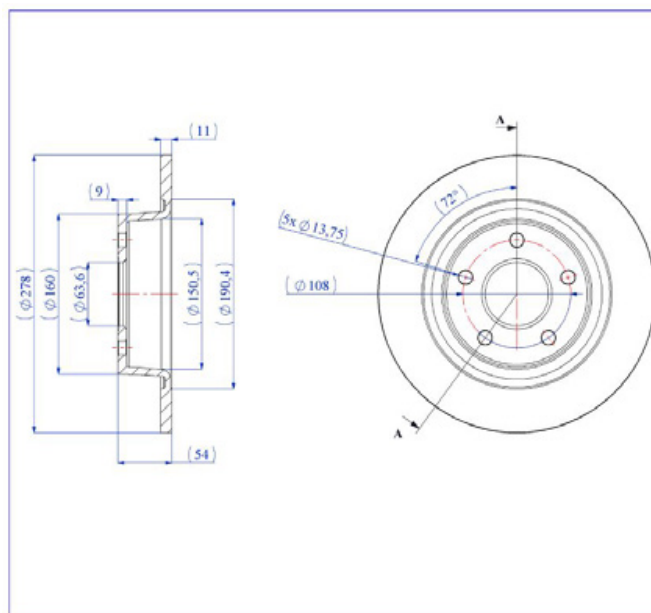
## BRAKE DISC

FREN DISK

- Rear Axle
- Solid
- Oiled

- **OEM Standarts**
- **AYD Quality**
- **Safety**
- **Performance**

OE:  
4475316  
4457989  
4367108



**AYD**  
AUTOMOTIVE INDUSTRY

AYD NO  
**10-50339**

MATERIAL  
**TYPE-1**

WEIGHT  
**4.92 KG**

BALANCING  
**100 %**



**10-50339**

### Technical Specifications:

Diameter (mm)	Height (mm)	Brake Disc Thickness (mm)	Min. Thickness (mm)	Centering Diameter (mm)	Bolt Hole Circle (mm)	Num. of Holes
278	54	11	9.6	63.6	108	5

## FORD

MODEL	START Y.	END Y.
TOURNEO CONNECT	2002/06	2013/12
TRANSIT CONNECT (P65_, P70_, P80_)	2002/06	



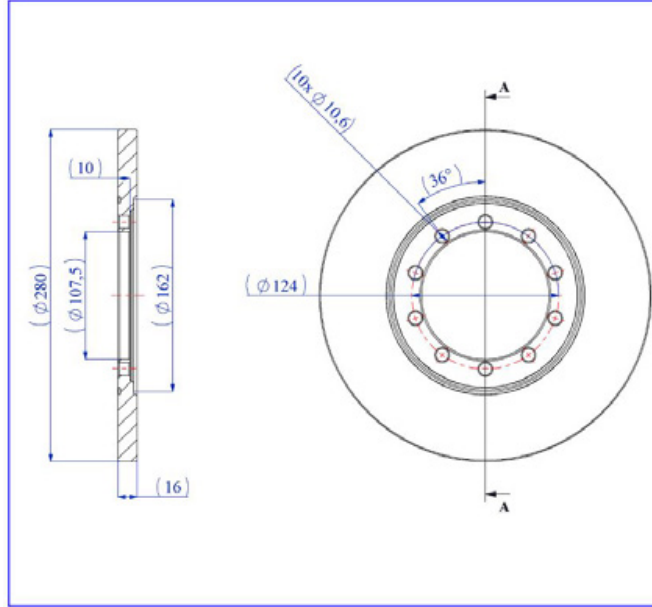
## BRAKE DISC

FREN DISK

- Rear Axle
- Solid
- Oiled

- OEM Standarts
- AYD Quality
- Safety
- Performance

OE:  
1464031  
6C112A315AA  
1371420



**AYD**<sup>®</sup>  
AUTOMOTIVE INDUSTRY

AYD NO  
**10-50378**

MATERIAL  
**TYPE-1**

WEIGHT  
**5.48 KG**

BALANCING  
**100 %**



**10-50378**

### Technical Specifications:

Diameter (mm)	Height (mm)	Brake Disc Thickness (mm)	Min. Thickness (mm)	Centering Diameter (mm)	Bolt Hole Circle (mm)	Num. of Holes
280	16	16	14.8	107.5	124	10

## FORD

MODEL	START Y.	END Y.
TRANSIT Minibüs/Otobüs (FD__, FB__, FS__, FZ__)	2006/04	2014/12
TRANSIT Panelvan/Van (FA__)	2006/04	2014/12
TRANSIT Platform şasi (FM__, FN__, FF__)	2006/04	2014/12

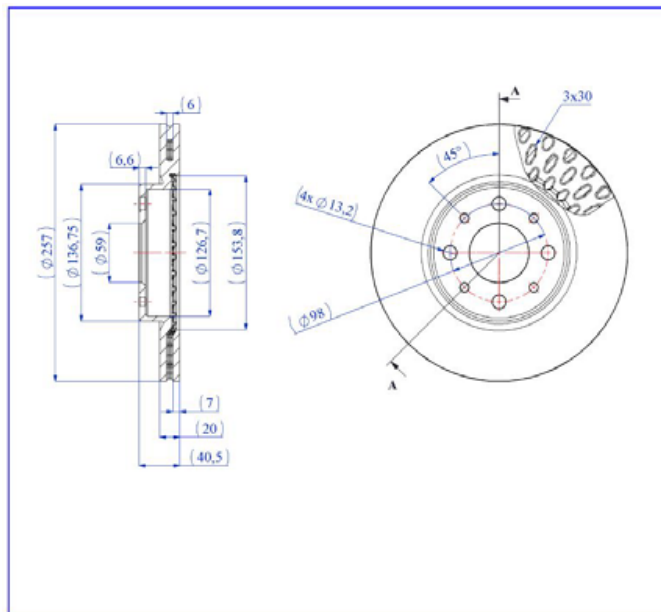


## BRAKE DISC

FREN DISK

- Front Axle
- Vented
- Oiled

- **OEM Standarts**
- **AYD Quality**
- **Safety**
- **Performance**



AYD NO  
**10-50152**

MATERIAL  
**TYPE-1**

WEIGHT  
**4,87 KG**

BALANCING  
**100 %**



OE:  
46416712

**10-50152**

### Technical Specifications:

Diameter (mm)	Height (mm)	Brake Disc Thickness (mm)	Min. Thickness (mm)	Centering Diameter (mm)	Bolt Hole Circle (mm)	Num. of Holes
257	40.5	20	18.2	59	98	4+4

## LANCIA

MODEL	START Y.	END Y.
DEDRA (835_)	1989/01	1999/07
DEDRA SW (835_)	1994/07	1999/07
DELTA II (836_)	1993/06	1999/09



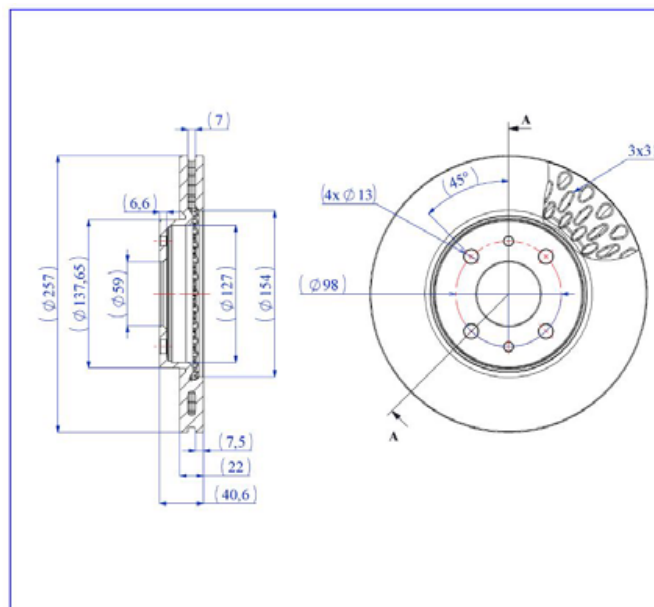
## BRAKE DISC

FREN DISK

- Front Axle
- Vented
- Oiled

- **OEM Standarts**
- **AYD Quality**
- **Safety**
- **Performance**

OE:  
51896287  
51896288



AYD NO  
**10-50192**

MATERIAL  
**TYPE-1**

WEIGHT  
**5.19 KG**

BALANCING  
**100 %**



**10-50192**

### Technical Specifications:

Diameter (mm)	Height (mm)	Brake Disc Thickness (mm)	Min. Thickness (mm)	Centering Diameter (mm)	Bolt Hole Circle (mm)	Num. of Holes
257	40.6	22	20.2	59	98	4+2

## LANCIA

MODEL	START Y.	END Y.
DEDRA (835_)	1989/01	1999/07
DEDRA SW (835_)	1994/07	1999/07
MUSA (350_)	2004/10	2012/09
YPSILON (843_)	2003/10	2011/12



## BRAKE DISC

FREN DISK

- Front Axle
- Rear Axle
- Solid

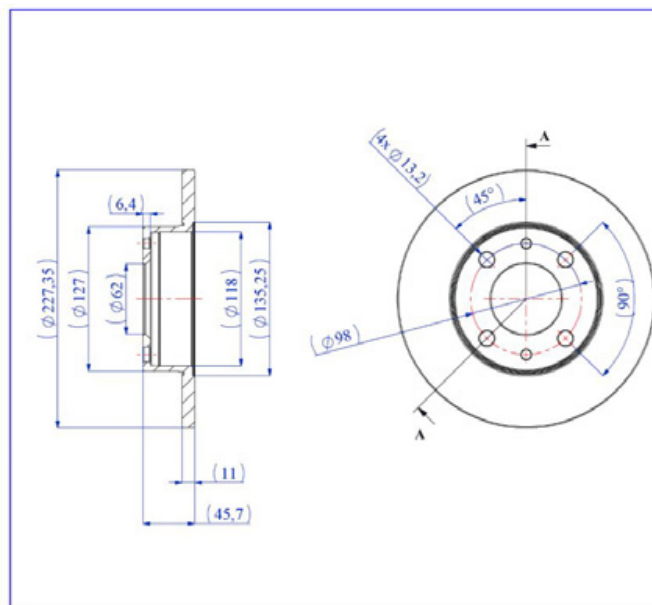
- **OEM Standarts**
- **AYD Quality**
- **Safety**
- **Performance**

OE:

16500253

4139010

4208311



**AYD**  
AUTOMOTIVE INDUSTRY

AYD NO

**10-50195**

MATERIAL

**TYPE-I**

WEIGHT

**3.02 KG**

BALANCING

**100 %**



**10-50195**

### Technical Specifications:

Diameter (mm)	Height (mm)	Brake Disc Thickness (mm)	Min. Thickness (mm)	Centering Diameter (mm)	Bolt Hole Circle (mm)	Num. of Holes
227.35	45.7	11	9	62	98	4+2

## LANCIA

MODEL	START Y.	END Y.
DELTA I (831_)	1979/09	1994/01
DELTA II (836_)	1993/06	1999/09
PRISMA (831_)	1983/01	1992/02
Y10 (156_)	1985/03	1995/12



## BRAKE DISC

FREN DISK

- Front Axle
- Vented
- Oiled

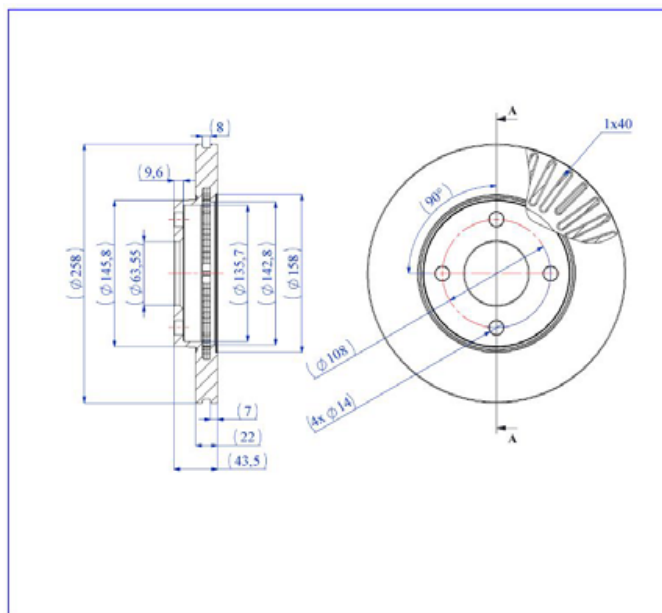
- OEM Standarts
- AYD Quality
- Safety
- Performance

OE:

DD323325X

DD593325X

DD593325XA



**AYD**  
AUTOMOTIVE INDUSTRY

AYD NO  
**10-50165**

MATERIAL  
**TYPE-1**

WEIGHT  
**5.3 KG**

BALANCING  
**100 %**



**10-50165**

### Technical Specifications:

Diameter (mm)	Height (mm)	Brake Disc Thickness (mm)	Min. Thickness (mm)	Centering Diameter (mm)	Bolt Hole Circle (mm)	Num. of Holes
258	43.5	22	20	63.55	108	4

## MAZDA

MODEL	START Y.	END Y.
121 III (JASM, JBSM)	1996/03	2003/04
2 (DY)	2003/02	2007/06



## BRAKE DISC

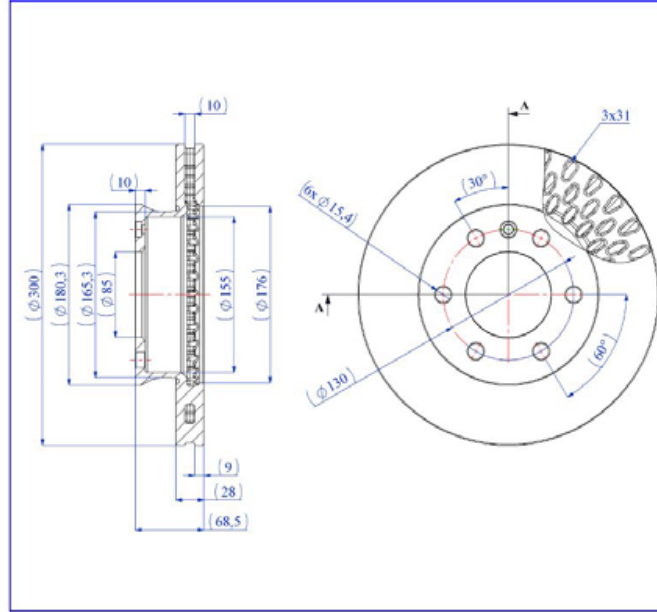
FREN DISK

- Front Axle
- Vented
- Oiled

- OEM Standarts
- AYD Quality
- Safety
- Performance

OE:

9064210012  
A9064210112  
9064210212



**AYD**  
AUTOMOTIVE INDUSTRY

AYD NO  
**10-50150**

MATERIAL  
**TYPE-1**

WEIGHT  
**8.9 KG**

BALANCING  
**100 %**



**10-50150**

### Technical Specifications:

Diameter (mm)	Height (mm)	Brake Disc Thickness (mm)	Min. Thickness (mm)	Centering Diameter (mm)	Bolt Hole Circle (mm)	Num. of Holes
300	68.5	28	25	85	130	6+1

## MERCEDES-BENZ

MODEL	START Y.	END Y.
SPRINTER 3-t Minibüs/Otobüs (B906)	2006/06	
SPRINTER 3-t Panelvan/Van (B906)	2006/06	
SPRINTER 3-t Platform şasi (B906)	2006/06	
SPRINTER 3,5-t Minibüs/Otobüs (B906)	2006/06	
SPRINTER 3,5-t Panelvan/Van (B906)	2006/06	
SPRINTER 3,5-t Platform şasi (B906)	2006/06	
SPRINTER 4,6-t Panelvan/Van (B906)	2006/06	
SPRINTER 4,6-t Platform şasi (B906)	2006/06	
SPRINTER 5-t Panelvan/Van (B906)	2006/06	
SPRINTER 5-t Platform şasi (B906)	2006/06	





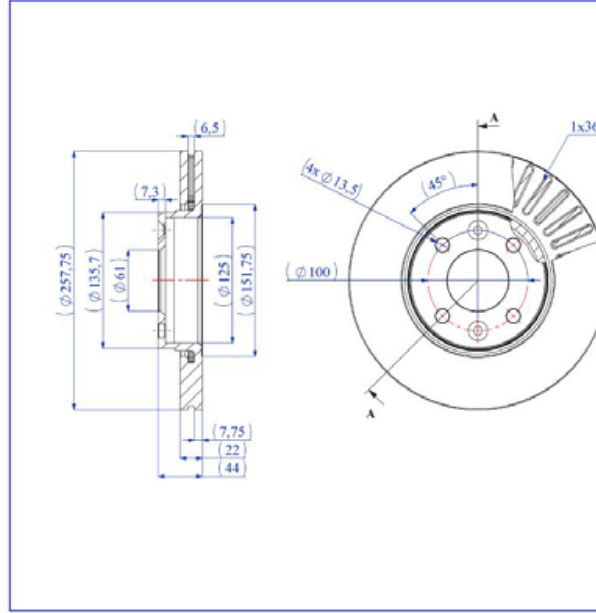
## BRAKE DISC

FREN DISK

- Front Axle
- Vented
- Oiled

- OEM Standarts
- AYD Quality
- Safety
- Performance

OE:  
A4154200101  
4154200101



**AYD**  
AUTOMOTIVE INDUSTRY

AYD NO  
**10-50205**

MATERIAL  
**TYPE-1**

WEIGHT  
**5.61 KG**

BALANCING  
**100 %**



**10-50205**

### Technical Specifications:

Diameter (mm)	Height (mm)	Brake Disc Thickness (mm)	Min. Thickness (mm)	Centering Diameter (mm)	Bolt Hole Circle (mm)	Num. of Holes
257.75	44	22	19.8	61	100	4+2

## MERCEDES-BENZ

MODEL	START Y.	END Y.
CITAN Kasa/büyük limuzin (W415)	2012/11	
CITAN Mixto (Double Cabin) (W415)	2012/11	
CITAN MPV (415)	2012/11	



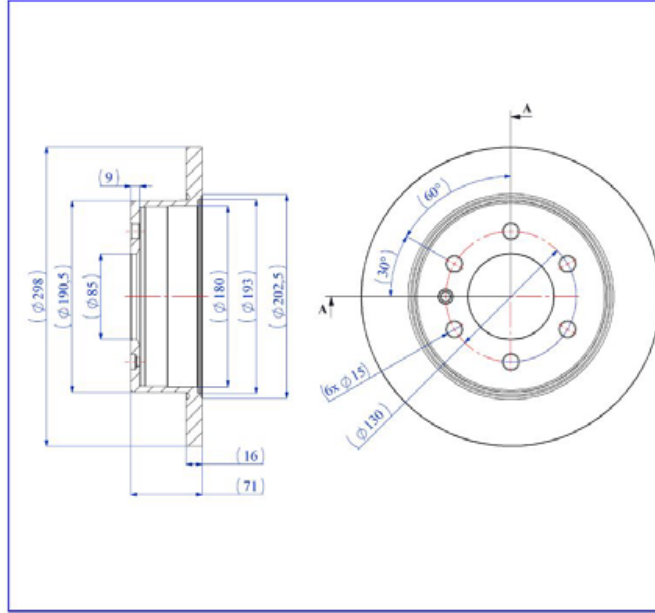
## BRAKE DISC

FREN DISK

- Rear Axle
- Solid
- Oiled

- OEM Standarts
- AYD Quality
- Safety
- Performance

OE:  
A9064230012  
9064230012



**AYD**  
AUTOMOTIVE INDUSTRY

AYD NO  
**10-50209**

MATERIAL  
**TYPE-1**

WEIGHT  
**7.4 kg**

BALANCING  
**100 %**



**10-50209**

### Technical Specifications:

Diameter (mm)	Height (mm)	Brake Disc Thickness (mm)	Min. Thickness (mm)	Centering Diameter (mm)	Bolt Hole Circle (mm)	Num. of Holes
298	71	16	14	85	130	6+1

## MERCEDES-BENZ

MODEL	START Y.	END Y.
SPRINTER 3-t Minibüs/Otobüs (B906)	2006/06	
SPRINTER 3-t Panelvan/Van (B906)	2006/06	
SPRINTER 3-t Platform şasi (B906)	2006/06	
SPRINTER 3,5-t Minibüs/Otobüs (B906)	2006/06	
SPRINTER 3,5-t Panelvan/Van (B906)	2006/06	
SPRINTER 3,5-t Platform şasi (B906)	2006/06	
SPRINTER 4,6-t Panelvan/Van (B906)	2006/06	
SPRINTER 4,6-t Platform şasi (B906)	2006/06	
SPRINTER 5-t Panelvan/Van (B906)	2006/06	
SPRINTER 5-t Platform şasi (B906)	2006/06	



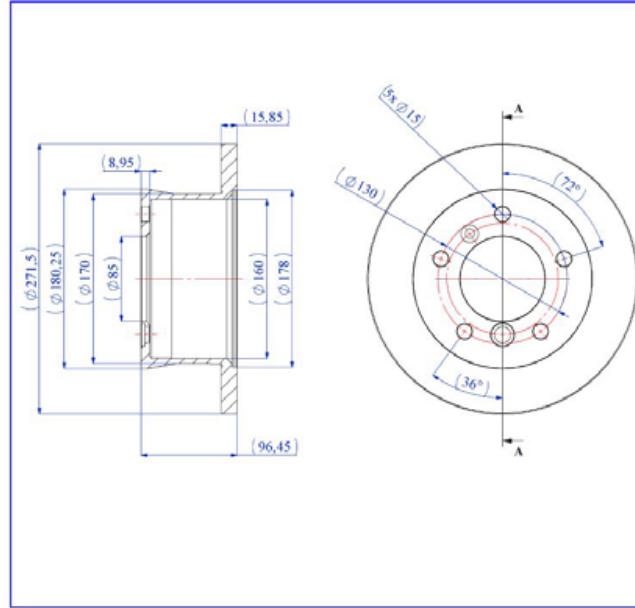
## BRAKE DISC

FREN DISK

- Rear Axle
- Solid
- Oiled

- OEM Standarts
- AYD Quality
- Safety
- Performance

OE:  
9024230512  
9024230112  
9024230312



**AYD**  
AUTOMOTIVE INDUSTRY

AYD NO  
**10-50329**

MATERIAL  
**TYPE-1**

WEIGHT  
**6.97 KG**

BALANCING  
**100 %**



**10-50329**

### Technical Specifications:

Diameter (mm)	Height (mm)	Brake Disc Thickness (mm)	Min. Thickness (mm)	Centering Diameter (mm)	Bolt Hole Circle (mm)	Num. of Holes
271.5	96.45	15.85	14	85	130	5+2

## MERCEDES-BENZ

MODEL	START Y.	END Y.
G-SERISI (W461)	1989/09	
G-SERISI (W463)	1989/09	
G-SERISI Cabrio (W463)	1989/09	
SPRINTER 3-t Minibüs/Otobüs (B903)	1995/01	2012/05
SPRINTER 3-t Panelvan/Van (B903)	1995/01	2012/05
SPRINTER 3-t Platform şasi (B903)	1995/01	2012/05
SPRINTER 4-t Panelvan/Van (B904)	1995/02	2012/05
SPRINTER 4-t Platform şasi (B904)	1995/02	2012/05
SPRINTER CLASSIC 3,5-t Panelvan/Van (B909)	2013/09	
SPRINTER CLASSIC 4,6-t Minibüs/Otobüs (B909)	2013/09	



## BRAKE DISC

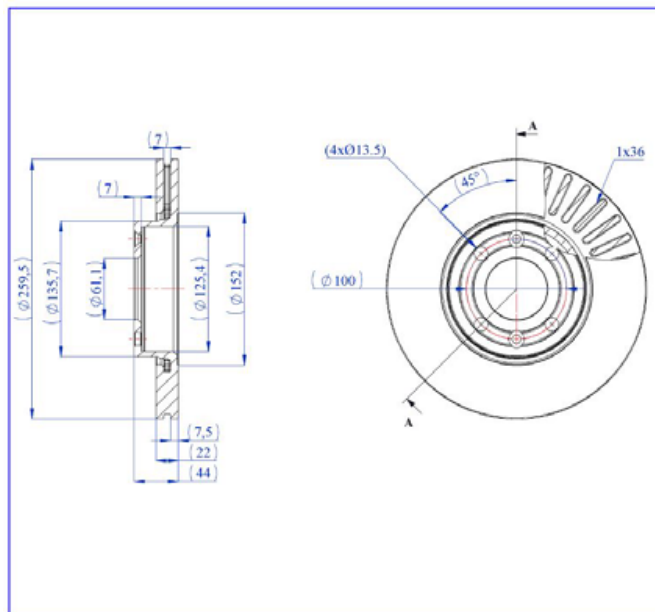
FREN DISK

- Front Axle
- Vented
- Oiled

- OEM Standarts
- AYD Quality
- Safety
- Performance

OE:

40206AX603  
40206AX600  
40206AX602



**AYD**<sup>®</sup>  
AUTOMOTIVE INDUSTRY

AYD NO  
**10-50163**

MATERIAL  
**TYPE-1**

WEIGHT  
**5.48 KG**

BALANCING  
**100 %**



**10-50163**

### Technical Specifications:

Diameter (mm)	Height (mm)	Brake Disc Thickness (mm)	Min. Thickness (mm)	Centering Diameter (mm)	Bolt Hole Circle (mm)	Num. of Holes
259.5	44	22	19.8	61.1	100	4+2

## NISSAN

MODEL	START Y.	END Y.
MICRA C+C III (K12)	2005/08	
MICRA III (K12)	2002/03	2010/06
MICRA V (K14)	2016/12	
NOTE (E11, NE11)	2005/01	2013/08
TEANA II (J32)	2007/01	
TIIDA Hatchback (C11)	2004/05	2013/12
TIIDA Sedan (SC11)	2004/05	2013/12



## BRAKE DISC

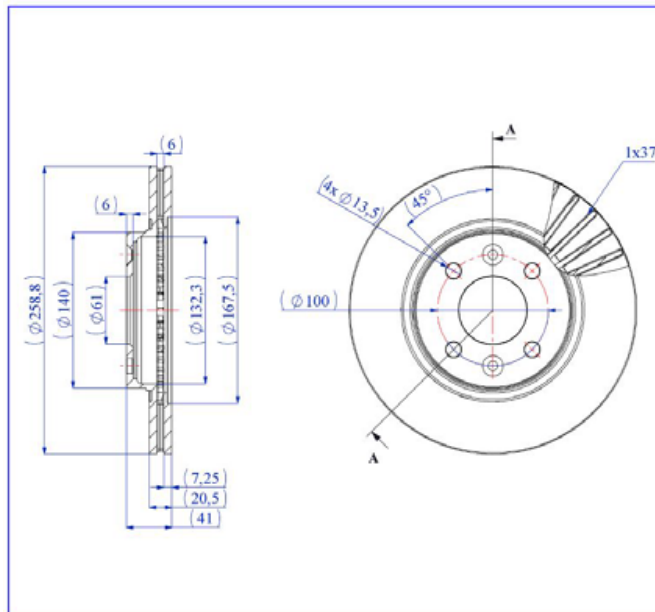
FREN DISK

- Front Axle
- Vented
- Oiled

- OEM Standarts
- AYD Quality
- Safety
- Performance

OE:  
4020600QAA  
40206 00Q0E

**10-50166**



**AYD**  
AUTOMOTIVE INDUSTRY

AYD NO  
**10-50166**

MATERIAL  
**TYPE-1**

WEIGHT  
**4.7 KG**

BALANCING  
**100 %**



### Technical Specifications:

Diameter (mm)	Height (mm)	Brake Disc Thickness (mm)	Min. Thickness (mm)	Centering Diameter (mm)	Bolt Hole Circle (mm)	Num. of Holes
258.8	41	20.5	17.7	61	100	4+2

## NISSAN

MODEL	START Y.	END Y.
KUBISTAR Panelvan/Van (X76)	2003/08	



## BRAKE DISC

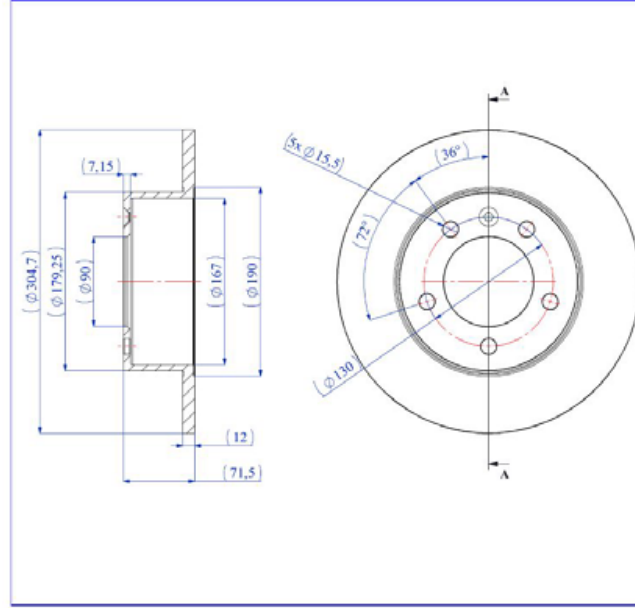
FREN DISK

- Rear Axle
- Solid
- Oiled

- OEM Standarts
- AYD Quality
- Safety
- Performance

OE:  
4320600Q0A

**10-50247**



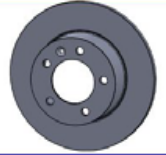
**AYD**<sup>®</sup>  
AUTOMOTIVE INDUSTRY

AYD NO  
**10-50247**

MATERIAL  
**TYPE-1**

WEIGHT  
**6.5 KG**

BALANCING  
**100 %**



### Technical Specifications:

Diameter (mm)	Height (mm)	Brake Disc Thickness (mm)	Min. Thickness (mm)	Centering Diameter (mm)	Bolt Hole Circle (mm)	Num. of Holes
304.7	71.5	12	10	90	130	5+1

## NISSAN

MODEL	START Y.	END Y.
NV400 Minibüs/Otobüs (X62, X62B)	2011/11	
NV400 Panelvan/Van (X62, X62B)	2011/11	
NV400 Platform şasi (X62, X62B)	2011/11	

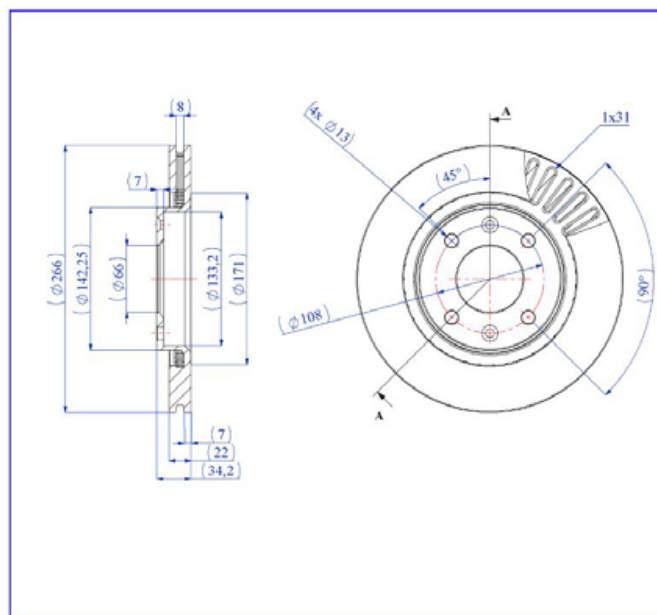


## BRAKE DISC

FREN DISK

- Front Axle
- Vented
- Oiled

- OEM Standarts
- AYD Quality
- Safety
- Performance



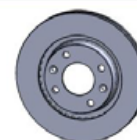
**AYD**  
AUTOMOTIVE INDUSTRY

AYD NO  
**10-50151**

MATERIAL  
**TYPE-1**

WEIGHT  
**5.05 KG**

BALANCING  
**100 %**



OE:  
3556159

**10-50151**

### Technical Specifications:

Diameter (mm)	Height (mm)	Brake Disc Thickness (mm)	Min. Thickness (mm)	Centering Diameter (mm)	Bolt Hole Circle (mm)	Num. of Holes
266	34.2	22	20	66	108	4+2

## OPEL

MODEL	START Y.	END Y.
CROSSLAND X / CROSSLAND (P17, P2QO)	2017/03	



## BRAKE DISC

FREN DISK

- Front Axle
- Vented
- Oiled

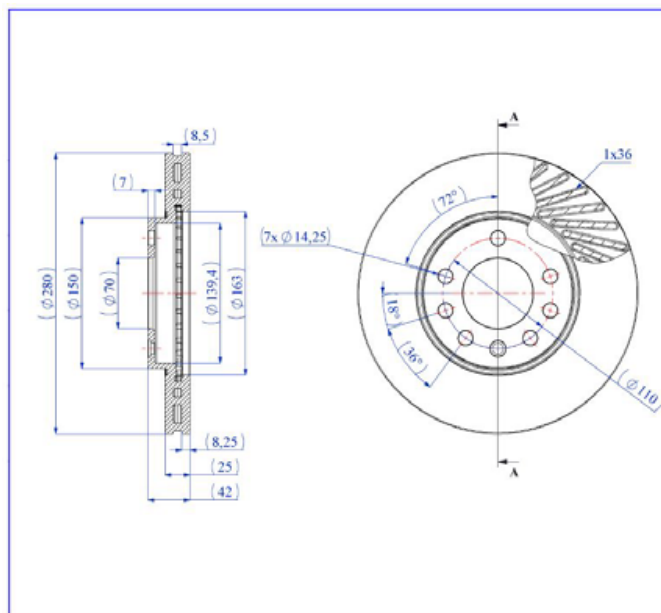
- OEM Standarts
- AYD Quality
- Safety
- Performance

OE:

569066

569060

93197592



**AYD**  
AUTOMOTIVE INDUSTRY

AYD NO  
**10-50167**

MATERIAL  
**TYPE-1**

WEIGHT  
**7 KG**

BALANCING  
**100 %**



**10-50167**

### Technical Specifications:

Diameter (mm)	Height (mm)	Brake Disc Thickness (mm)	Min. Thickness (mm)	Centering Diameter (mm)	Bolt Hole Circle (mm)	Num. of Holes
280	42	25	22	70	110	7+1

## OPEL

MODEL	START Y.	END Y.
ASTRA G Cabrio (T98)	2001/03	2005/10
ASTRA G Coupe (T98)	2000/03	2005/05
ASTRA G Hatchback (T98)	1998/02	2009/12
ASTRA G Kombi van (F70)	1998/09	2005/04
ASTRA G Sedan (T98)	1998/03	2009/12
ASTRA G Station wagon (T98)	1998/02	2004/07
ASTRA H (A04)	2004/01	2014/05
ASTRA H CLASSIC Hatchback (A04)	2009/01	
ASTRA H CLASSIC Sedan (A04)	2007/02	
ASTRA H CLASSIC Station wagon (A04)	2006/12	
ASTRA H GTC (A04)	2005/03	2010/10





## BRAKE DISC

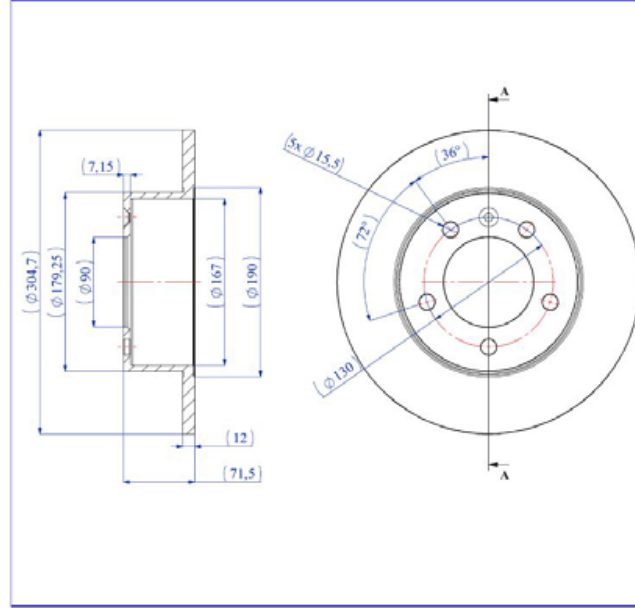
FREN DISK

- Rear Axle
- Solid
- Oiled

- OEM Standarts
- AYD Quality
- Safety
- Performance

OE:  
4419362

**10-50247**



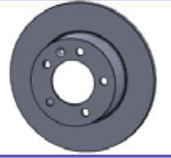
**AYD**<sup>®</sup>  
AUTOMOTIVE INDUSTRY

AYD NO  
**10-50247**

MATERIAL  
**TYPE-1**

WEIGHT  
**6.5 KG**

BALANCING  
**100 %**



### Technical Specifications:

Diameter (mm)	Height (mm)	Brake Disc Thickness (mm)	Min. Thickness (mm)	Centering Diameter (mm)	Bolt Hole Circle (mm)	Num. of Holes
304.7	71.5	12	10	90	130	5+1

## OPEL

MODEL	START Y.	END Y.
MOVANO B Damperli araç (X62)	2010/05	
MOVANO B Minibüs/Otobüs (X62)	2010/12	
MOVANO B Panelvan/Van (X62)	2010/05	
MOVANO B Platform şasi (X62)	2010/05	



## BRAKE DISC

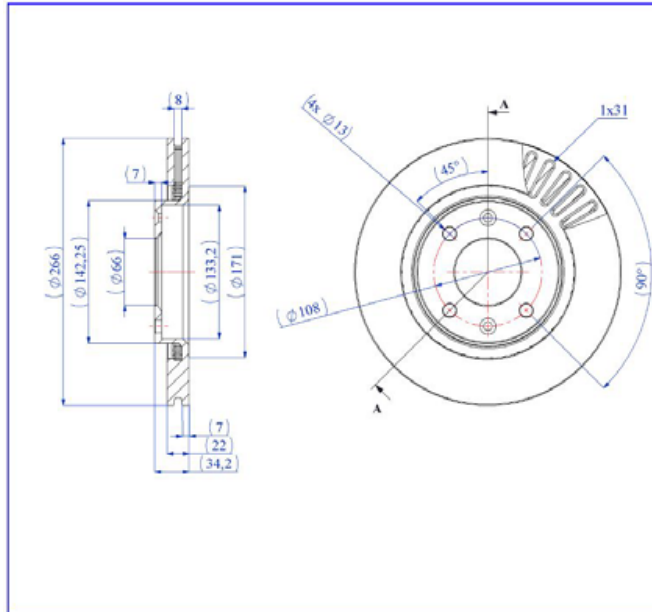
FREN DISK

- Front Axle
- Vented
- Oiled

- OEM Standarts
- AYD Quality
- Safety
- Performance

OE:

16 107 407 80  
16 135 644 80  
4248 83



**AYD**  
AUTOMOTIVE INDUSTRY

AYD NO  
**10-50151**

MATERIAL  
**TYPE-1**

WEIGHT  
**5.05 KG**

BALANCING  
**100 %**



**10-50151**

### Technical Specifications:

Diameter (mm)	Height (mm)	Brake Disc Thickness (mm)	Min. Thickness (mm)	Centering Diameter (mm)	Bolt Hole Circle (mm)	Num. of Holes
266	34.2	22	20	66	108	4+2

## PEUGEOT

MODEL	START Y.	END Y.
1007 (KM_)	2005/04	
2008 I (CU_)	2013/03	
206 CC (2D)	2000/09	2008/12
206 Hatchback (2A/C)	1998/08	2012/12
206 Sedan	2007/03	
206 SW (2E/K)	2002/07	
206 Van	1999/04	2009/03
207 (WA_, WC_)	2006/02	2015/12
207 Kasa/eğik arka (WA_, WC_)	2006/04	
207 Sedan	2007/12	2014/12
207 SW (WK_)	2007/02	2013/12



## BRAKE DISC

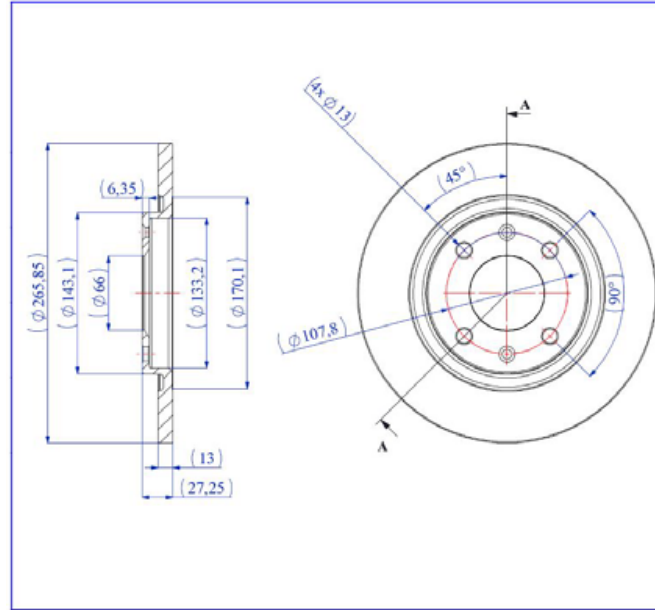
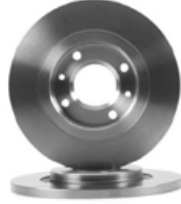
FREN DISK

- Front Axle
- Solid
- Oiled

- OEM Standarts
- AYD Quality
- Safety
- Performance

OE:  
1608691680

**10-50189**



**AYD**  
AUTOMOTIVE INDUSTRY

AYD NO  
**10-50189**

MATERIAL  
**TYPE-1**

WEIGHT  
**4.25 KG**

BALANCING  
**100 %**



### Technical Specifications:

Diameter (mm)	Height (mm)	Brake Disc Thickness (mm)	Min. Thickness (mm)	Centering Diameter (mm)	Bolt Hole Circle (mm)	Num. of Holes
265.85	27.25	13	11	66	107.8	4+2

## PEUGEOT

MODEL	START Y.	END Y.
208 I (CA_, CC_)	2012/03	
301	2012/11	
PARTNER Kasa/büyük limuzin (5_, G_)	1996/06	
PARTNER MPV (5_, G_)	1996/05	2015/12



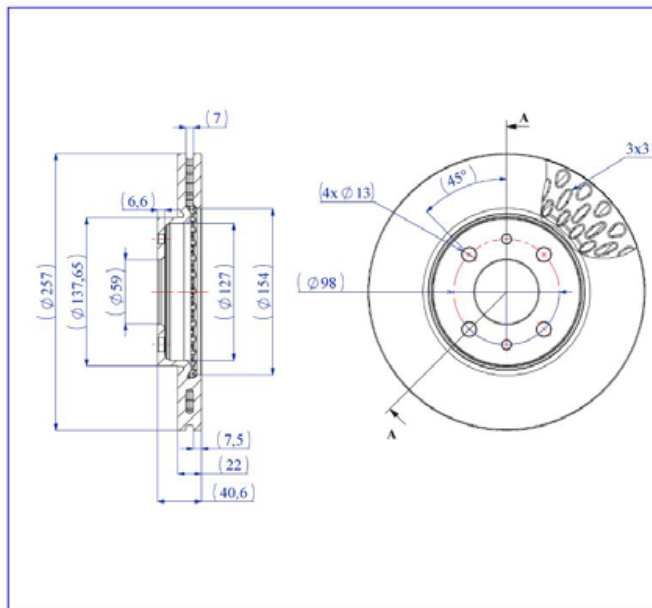
## BRAKE DISC

FREN DISK

- Front Axle
- Vented
- Oiled

- OEM Standarts
- AYD Quality
- Safety
- Performance

OE:  
4249 E5  
4249 L2



**AYD**  
AUTOMOTIVE INDUSTRY

AYD NO  
**10-50192**

MATERIAL  
**TYPE-1**

WEIGHT  
**5.19 KG**

BALANCING  
**100 %**



**10-50192**

### Technical Specifications:

Diameter (mm)	Height (mm)	Brake Disc Thickness (mm)	Min. Thickness (mm)	Centering Diameter (mm)	Bolt Hole Circle (mm)	Num. of Holes
257	40.6	22	20.2	59	98	4+2

## PEUGEOT

MODEL	START Y.	END Y.
BIPPER (AA_)	2008/02	
BIPPER TEPEE	2008/04	



## BRAKE DISC

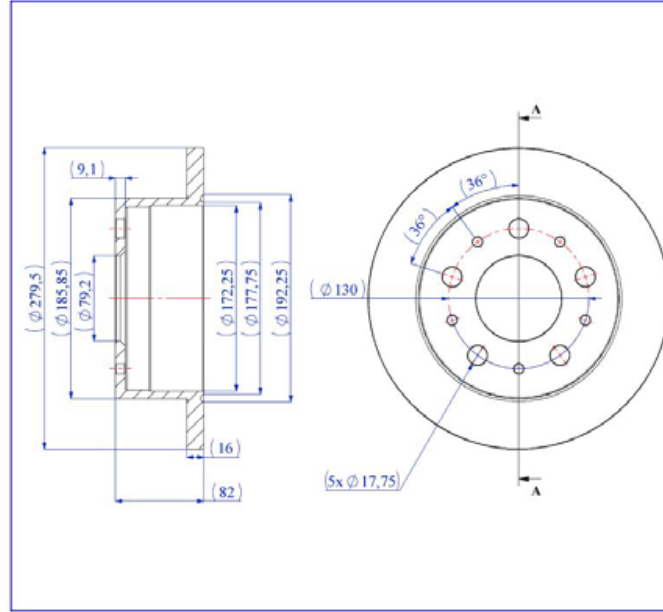
FREN DISK

- Rear Axle
- Solid
- Oiled

- OEM Standarts
- AYD Quality
- Safety
- Performance

OE:  
4249 K9

**10-50488**



**AYD**  
AUTOMOTIVE INDUSTRY

AYD NO  
**10-50488**

MATERIAL  
**TYPE-1**

WEIGHT  
**7.24 KG**

BALANCING  
**100 %**



### Technical Specifications:

Diameter (mm)	Height (mm)	Brake Disc Thickness (mm)	Min. Thickness (mm)	Centering Diameter (mm)	Bolt Hole Circle (mm)	Num. of Holes
279.5	82	16	14.2	79.2	130	5+5

## PEUGEOT

MODEL	START Y.	END Y.
BOXER Minibüs/Otobüs	2005/09	
BOXER Minibüs/Otobüs (230P)	1994/03	2002/04
BOXER Minibüs/Otobüs (244, Z_)	2001/12	
BOXER Panelvan/Van	2006/04	
BOXER Panelvan/Van (230L)	1994/03	2005/08
BOXER Panelvan/Van (244)	2001/12	
BOXER Platform şasi (244)	2001/12	
BOXER Platform şasi (ZCT_)	1994/03	2002/04

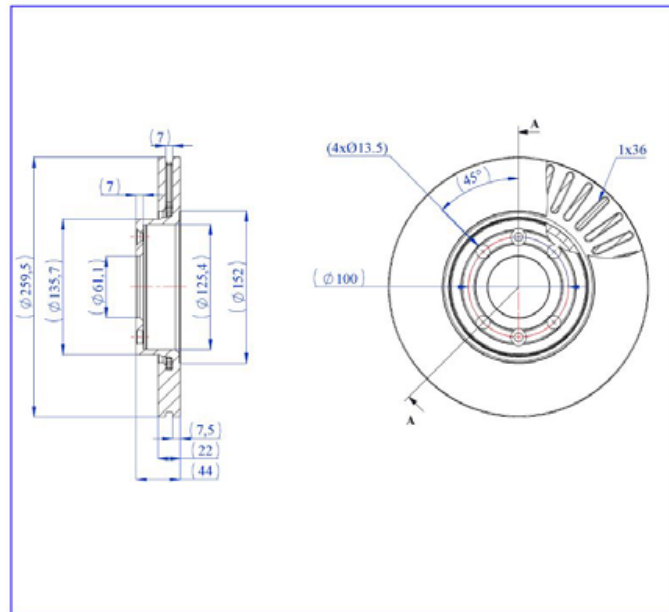
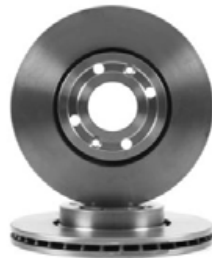


## BRAKE DISC

FREN DISK

- Front Axle
- Vented
- Oiled

- **OEM Standarts**
- **AYD Quality**
- **Safety**
- **Performance**



**AYD**  
AUTOMOTIVE INDUSTRY

AYD NO  
**10-50163**

MATERIAL  
**TYPE-1**

WEIGHT  
**5.48 KG**

BALANCING  
**100 %**



OE:  
7701207795

**10-50163**

### Technical Specifications:

Diameter (mm)	Height (mm)	Brake Disc Thickness (mm)	Min. Thickness (mm)	Centering Diameter (mm)	Bolt Hole Circle (mm)	Num. of Holes
259.5	44	22	19.8	61.1	100	4+2

## RENAULT

MODEL	START Y.	END Y.
CLIO II (BB_, CB_)	1998/03	2016/12
CLIO III (BR0/1, CR0/1)	2005/01	2014/12
CLIO III Grandtour (KR0/1_)	2007/11	
CLIO III Kasa/eğik arka (SB_, SR_)	2005/06	
LOGAN EXPRESS (US_)	2007/04	
LOGAN I Station wagon (KS_)	2007/04	
LOGAN Pick-up (US_)	2008/03	
LOGAN/STEPWAY II (L8_)	2012/09	
MEGANE II (BM0/1_, CM0/1_)	2001/07	2012/10
MEGANE II Sedan (LM0/1_)	2003/08	
MODUS / GRAND MODUS (F/JP0_)	2004/09	



## BRAKE DISC

FREN DISK

- Front Axle
- Vented
- Oiled

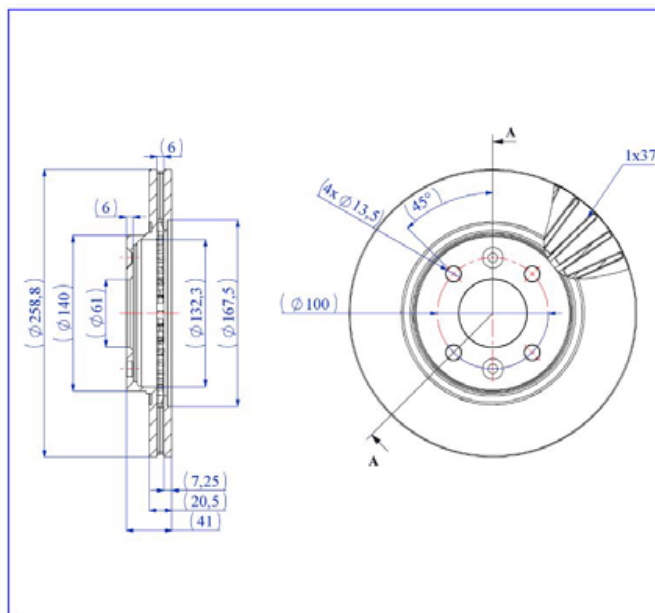
- OEM Standarts
- AYD Quality
- Safety
- Performance

OE:

7701204828

8201464598

7711130038



**AYD**  
AUTOMOTIVE INDUSTRY

AYD NO  
**10-50166**

MATERIAL  
**TYPE-1**

WEIGHT  
**4.7 KG**

BALANCING  
**100 %**



**10-50166**

### Technical Specifications:

Diameter (mm)	Height (mm)	Brake Disc Thickness (mm)	Min. Thickness (mm)	Centering Diameter (mm)	Bolt Hole Circle (mm)	Num. of Holes
258.8	41	20.5	17.7	61	100	4+2

## RENAULT

MODEL	START Y.	END Y.
19 I (B/C53_)	1988/01	1994/09
19 I Chamade (L53_)	1988/01	1992/12
19 II (B/C53_)	1991/01	2001/06
19 II Chamade (L53_)	1992/04	2003/08
CLIO I (B/C57_, 5/357_)	1990/05	1998/09
CLIO II (BB_, CB_)	1998/03	2016/12
CLIO II Kasa/eğik arka (SB0/1/2_)	1998/09	
KANGOO (KC0/1_)	1997/08	
KANGOO Express (FC0/1_)	1997/08	
LOGAN EXPRESS (US_)	2007/04	
LOGAN I (LS_)	2004/09	



## BRAKE DISC

FREN DISK

- Front Axle
- Solid
- Oiled

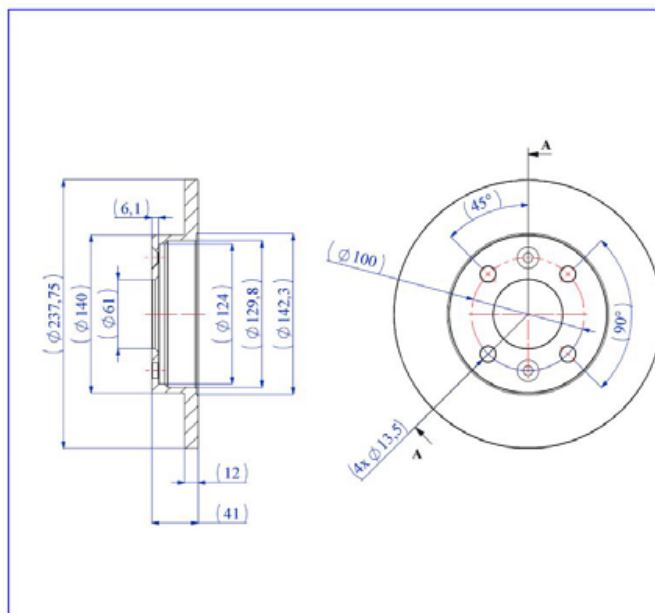
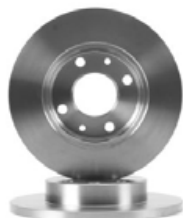
- OEM Standarts
- AYD Quality
- Safety
- Performance

OE:

7701204282

6001547684

7700704705



**AYD**  
AUTOMOTIVE INDUSTRY

AYD NO  
**10-50193**

MATERIAL  
**TYPE-1**

WEIGHT  
**3.57 KG**

BALANCING  
**100 %**



**10-50193**

### Technical Specifications:

Diameter (mm)	Height (mm)	Brake Disc Thickness (mm)	Min. Thickness (mm)	Centering Diameter (mm)	Bolt Hole Circle (mm)	Num. of Holes
237.75	41	12	10.6	61	100	4+2

## RENAULT

MODEL	START Y.	END Y.
LOGAN EXPRESS (US_)	2007/04	
LOGAN I (LS_)	2004/09	
LOGAN I Station wagon (KS_)	2007/04	
LOGAN/STEPWAY II (L8_)	2012/09	
SANDERO/STEPWAY I (BS_)	2007/11	





## BRAKE DISC

FREN DISK

- Front Axle
- Solid
- Oiled

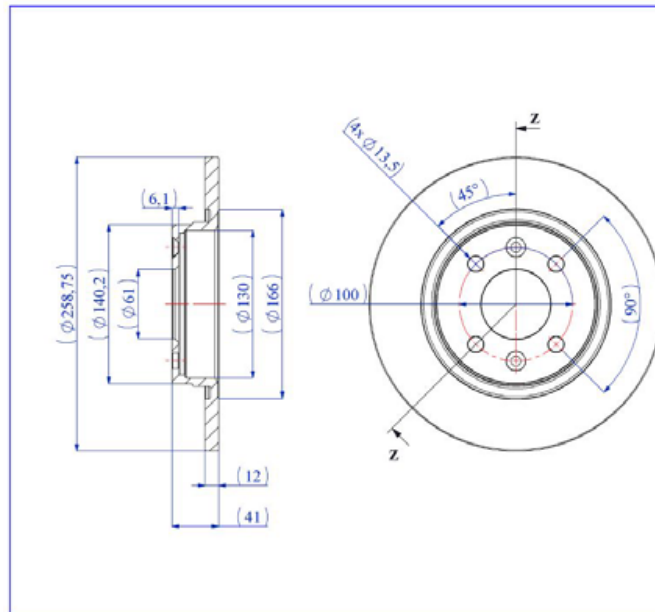
- OEM Standarts
- AYD Quality
- Safety
- Performance

OE:

402065236R

6001547683

6001577683



**AYD**  
AUTOMOTIVE INDUSTRY

AYD NO  
**10-50197**

MATERIAL  
**TYPE-1**

WEIGHT  
**4.1 KG**

BALANCING  
**100 %**



**10-50197**

### Technical Specifications:

Diameter (mm)	Height (mm)	Brake Disc Thickness (mm)	Min. Thickness (mm)	Centering Diameter (mm)	Bolt Hole Circle (mm)	Num. of Holes
258.75	41	12	10.6	61	100	4+2

## RENAULT

MODEL	START Y.	END Y.
CLIO II (BB_, CB_)	1998/03	2016/12
LOGAN EXPRESS (US_)	2007/04	
LOGAN I (LS_)	2004/09	
LOGAN I Station wagon (KS_)	2007/04	
LOGAN/STEPWAY II (L8_)	2012/09	
SANDERO/STEPWAY I (BS_)	2007/11	
SANDERO/STEPWAY II (B8_)	2013/11	
THALIA II (LU_)	2008/09	
THALIA III (L8_)	2013/12	
TWINGO I (C06_)	1993/03	2012/10
TWINGO I Kasa/eğik arka (S06_)	1993/03	2012/06



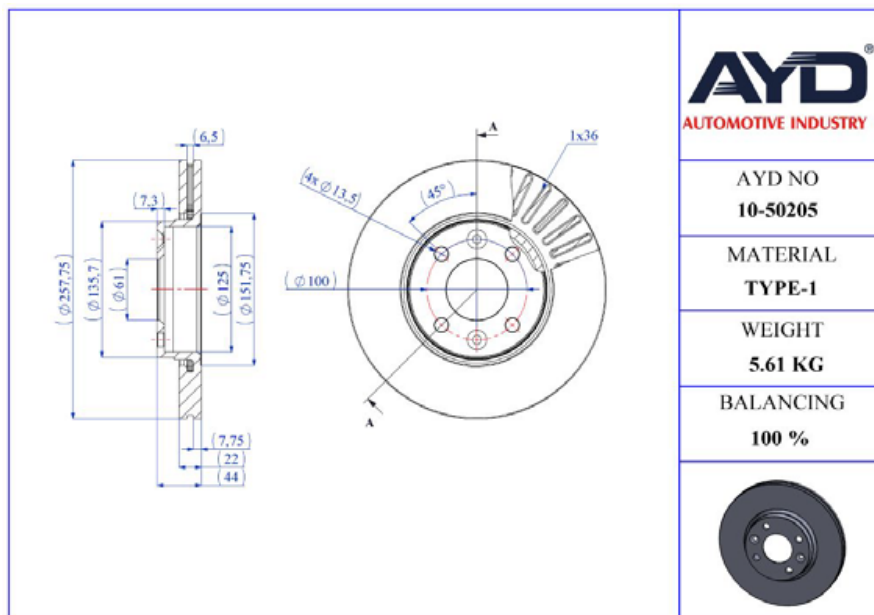
## BRAKE DISC

FREN DISK

- Front Axle
- Vented
- Oiled

- **OEM Standarts**
- **AYD Quality**
- **Safety**
- **Performance**

OE:  
402061200R  
7701210081



**AYD**  
AUTOMOTIVE INDUSTRY

AYD NO  
**10-50205**

MATERIAL  
**TYPE-1**

WEIGHT  
**5.61 KG**

BALANCING  
**100 %**



**10-50205**

### Technical Specifications:

Diameter (mm)	Height (mm)	Brake Disc Thickness (mm)	Min. Thickness (mm)	Centering Diameter (mm)	Bolt Hole Circle (mm)	Num. of Holes
257.75	44	22	19.8	61	100	4+2

## RENAULT

MODEL	START Y.	END Y.
CLIO IV (BH_)	2012/11	
CLIO IV Grandtour (KH_)	2013/01	
CLIO IV Kasa/eđik arka (BH_)	2014/01	
KANGOO / GRAND KANGOO (KW0/1_)	2008/02	
KANGOO BE BOP (KW0/1_)	2009/02	
KANGOO Express (FW0/1_)	2008/02	
LODGY (JS_)	2013/07	
ZOE (BFM_)	2012/06	



## BRAKE DISC

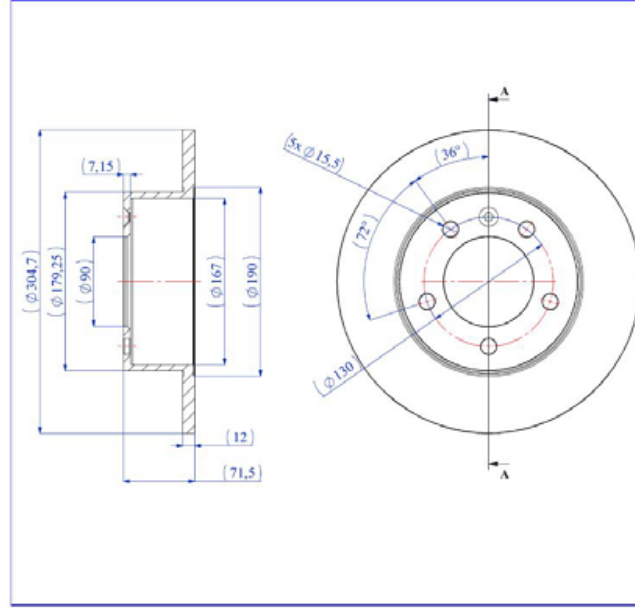
FREN DISK

- Rear Axle
- Solid
- Oiled

- OEM Standarts
- AYD Quality
- Safety
- Performance

OE:  
432000367R

**10-50247**



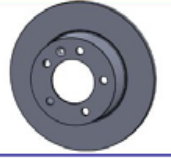
**AYD**<sup>®</sup>  
AUTOMOTIVE INDUSTRY

AYD NO  
**10-50247**

MATERIAL  
**TYPE-1**

WEIGHT  
**6.5 KG**

BALANCING  
**100 %**



### Technical Specifications:

Diameter (mm)	Height (mm)	Brake Disc Thickness (mm)	Min. Thickness (mm)	Centering Diameter (mm)	Bolt Hole Circle (mm)	Num. of Holes
304.7	71.5	12	10	90	130	5+1

## RENAULT

MODEL	START Y.	END Y.
MASTER III Minibüs/Otobüs (JV)	2011/02	
MASTER III Panelvan/Van (FV)	2010/02	
MASTER III Platform şasi (EV, HV, UV)	2010/02	



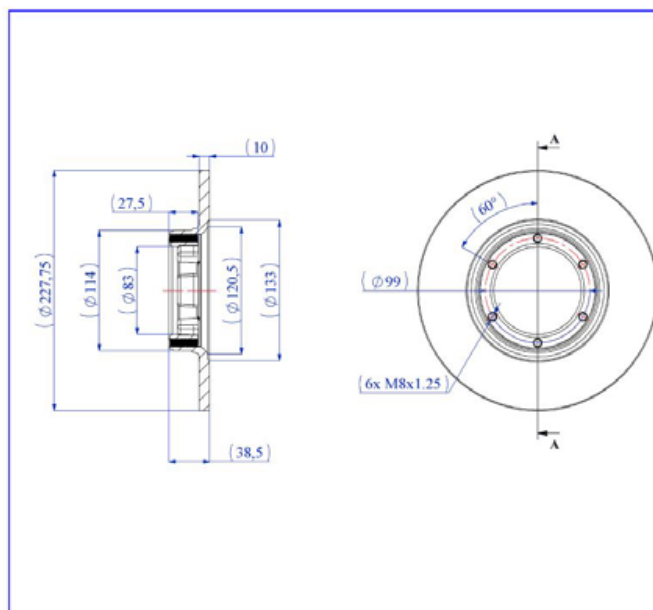
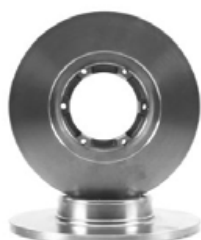
## BRAKE DISC

FREN DISK

- Front Axle
- Solid
- Oiled

- OEM Standarts
- AYD Quality
- Safety
- Performance

OE:  
7701466540  
7700502515



**AYD**  
AUTOMOTIVE INDUSTRY

AYD NO  
**10-50392**

MATERIAL  
**TYPE-1**

WEIGHT  
**2.83 KG**

BALANCING  
**100 %**



**10-50392**

### Technical Specifications:

Diameter (mm)	Height (mm)	Brake Disc Thickness (mm)	Min. Thickness (mm)	Centering Diameter (mm)	Bolt Hole Circle (mm)	Num. of Holes
227.75	38.5	10	9	83	99	6

## RENAULT

MODEL	START Y.	END Y.
12	1983/04	1995/06
12	1969/10	1984/12
12 Kombi van	1975/07	1983/02
12 Station wagon	1983/04	1995/06
12 TOROS Sedan	1989/04	2000/10
12 TOROS Station wagon	1989/04	2000/10
12 Variable (117_)	1970/08	1983/12
15 (130_)	1971/09	1980/10
17	1972/03	1980/10
18 (134_)	1978/04	1994/11
18 Kombi van	1979/05	1986/07



## BRAKE DISC

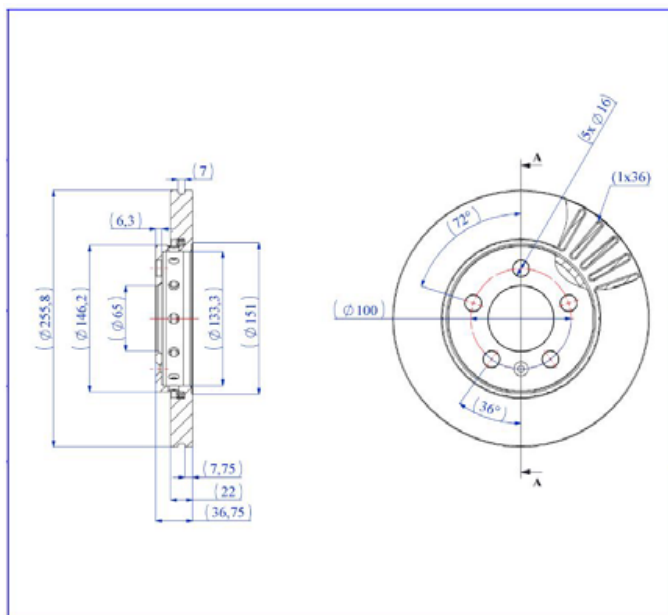
FREN DISK

- Front Axle
- Vented
- Oiled

- **OEM Standarts**
- **AYD Quality**
- **Safety**
- **Performance**

OE:  
6QD 615 301

**10-50153**



AYD NO  
**10-50153**

MATERIAL  
**TYPE-1**

WEIGHT  
**5.06 KG**

BALANCING  
**100 %**



### Technical Specifications:

Diameter (mm)	Height (mm)	Brake Disc Thickness (mm)	Min. Thickness (mm)	Centering Diameter (mm)	Bolt Hole Circle (mm)	Num. of Holes
255.8	36.75	22	19	65	100	5+1

## SEAT

MODEL	START Y.	END Y.
CORDOBA (6L2)	2002/09	2009/11
IBIZA III (6L1)	2002/02	2009/11
IBIZA IV (6J5, 6P1)	2008/03	2017/12
IBIZA IV Kasa/eşik arka (6J1)	2008/04	2015/05
IBIZA IV SC (6J1, 6P5)	2008/06	2018/12
IBIZA IV ST (6J8, 6P8)	2010/03	2016/07
LEON (1M1)	1999/11	2006/06
TOLEDO II (1M2)	1998/10	2006/05
TOLEDO IV (KG3)	2012/07	2019/04



## BRAKE DISC

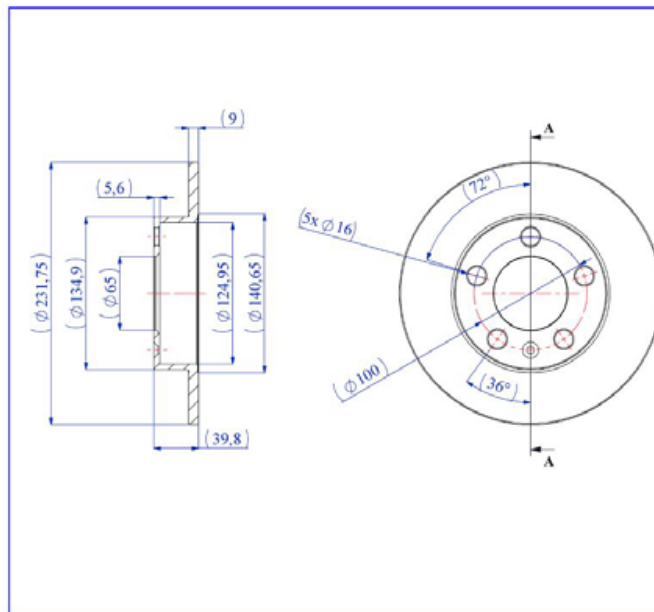
FREN DISK

- Rear Axle
- Solid
- Oiled

- OEM Standarts
- AYD Quality
- Safety
- Performance

OE:  
2Q0 615 601 H

**10-50156**



**AYD**  
AUTOMOTIVE INDUSTRY

AYD NO  
**10-50156**

MATERIAL  
**TYPE-1**

WEIGHT  
**2.69 KG**

BALANCING  
**100 %**



### Technical Specifications:

Diameter (mm)	Height (mm)	Brake Disc Thickness (mm)	Min. Thickness (mm)	Centering Diameter (mm)	Bolt Hole Circle (mm)	Num. of Holes
231.75	39.8	9	7	65	100	5+1

## SEAT

MODEL	START Y.	END Y.
ARONA (KJ7)	2017/07	
CORDOBA (6L2)	2002/09	2009/11
IBIZA III (6L1)	2002/02	2009/11
IBIZA IV (6J5, 6P1)	2008/03	2017/12
IBIZA IV SC (6J1, 6P5)	2008/06	2018/12
IBIZA IV ST (6J8, 6P8)	2010/03	2016/07
IBIZA V (KJ1)	2017/01	
LEON (1M1)	1999/11	2006/06
TOLEDO I (1L2)	1991/01	1999/10
TOLEDO II (1M2)	1998/10	2006/05
TOLEDO IV (KG3)	2012/07	2019/04

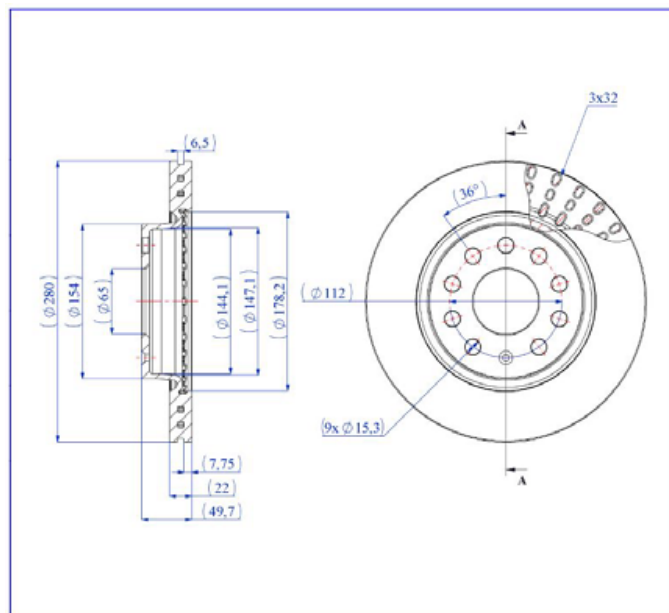


## BRAKE DISC

FREN DISK

- Front Axle
- Vented
- Oiled

- OEM Standarts
- AYD Quality
- Safety
- Performance



AYD NO  
**10-50162**

MATERIAL  
**TYPE-1**

WEIGHT  
**5.67 KG**

BALANCING  
**100 %**



OE:  
1K0615301AQ

**10-50162**

### Technical Specifications:

Diameter (mm)	Height (mm)	Brake Disc Thickness (mm)	Min. Thickness (mm)	Centering Diameter (mm)	Bolt Hole Circle (mm)	Num. of Holes
280	49.7	22	19	65	112	9+1

## SEAT

MODEL	START Y.	END Y.
ALTEA (5P1)	2004/03	
ALTEA XL (5P5, 5P8)	2006/10	
LEON (1P1)	2005/05	2013/12
TOLEDO III (5P2)	2004/04	2009/05



## BRAKE DISC

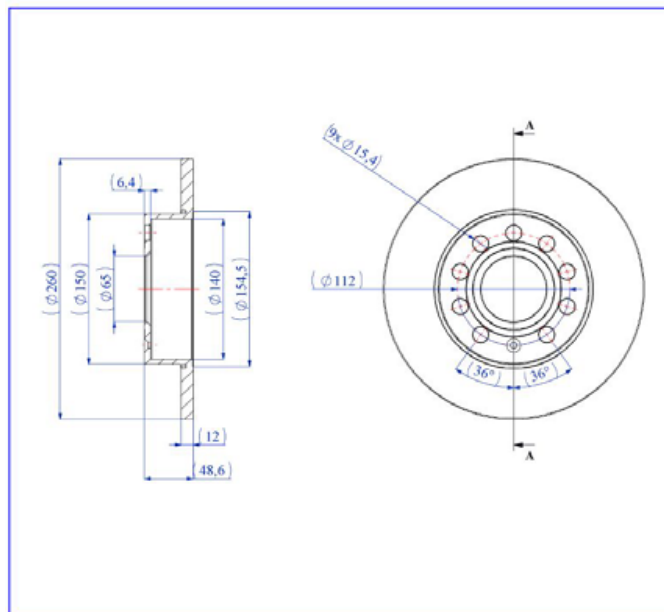
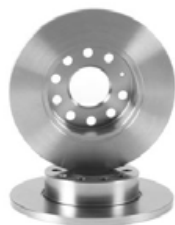
FREN DISK

- Rear Axle
- Solid
- Oiled

- OEM Standarts
- AYD Quality
- Safety
- Performance

OE:  
1K0615601AC

**10-50180**



**AYD**  
AUTOMOTIVE INDUSTRY

AYD NO  
**10-50180**

MATERIAL  
**TYPE-1**

WEIGHT  
**4.25 KG**

BALANCING  
**100 %**



### Technical Specifications:

Diameter (mm)	Height (mm)	Brake Disc Thickness (mm)	Min. Thickness (mm)	Centering Diameter (mm)	Bolt Hole Circle (mm)	Num. of Holes
260	48.6	12	10	65	112	9+1

## SEAT

MODEL	START Y.	END Y.
ALTEA (5P1)	2004/03	
ALTEA XL (5P5, 5P8)	2006/10	
TOLEDO III (5P2)	2004/04	2009/05





## BRAKE DISC

FREN DISK

- Front Axle
- Rear Axle
- Solid

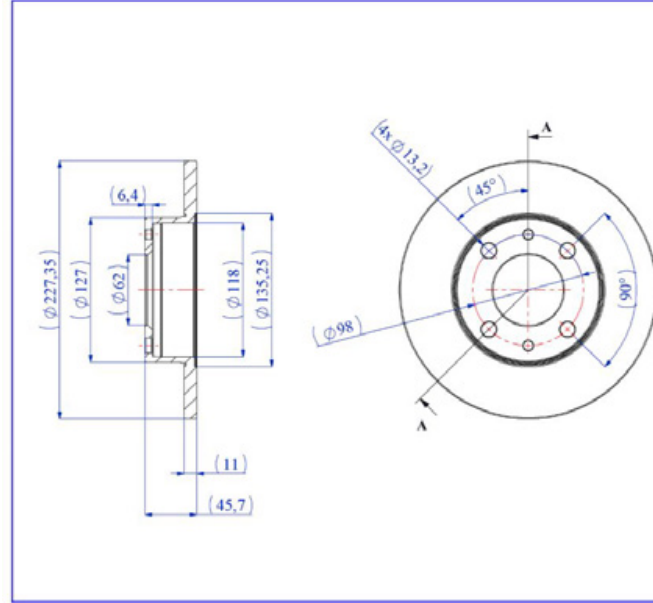
- OEM Standarts
- AYD Quality
- Safety
- Performance

OE:

RF1 650 025 0

RF1 650 025 3

SE 022 165 002 A



**AYD**<sup>®</sup>  
AUTOMOTIVE INDUSTRY

AYD NO  
**10-50195**

MATERIAL  
**TYPE-I**

WEIGHT  
**3.02 KG**

BALANCING  
**100 %**



**10-50195**

### Technical Specifications:

Diameter (mm)	Height (mm)	Brake Disc Thickness (mm)	Min. Thickness (mm)	Centering Diameter (mm)	Bolt Hole Circle (mm)	Num. of Holes
227.35	45.7	11	9	62	98	4+2

## SEAT

MODEL	START Y.	END Y.
127 (127A)	1972/04	1982/12
128 (128A)	1976/01	1980/12
131 (131A)	1975/05	1986/12
132 (132A)	1973/01	1982/12
FURA (25A)	1982/01	1986/12
IBIZA I (21A)	1984/06	1993/12
MALAGA (23A)	1984/11	1993/12
MARBELLA (28A)	1986/08	1999/05
MARBELLA Kasa/eğik arka (028A)	1986/11	1999/05
RONDA (22A)	1982/06	1988/11
TERRA (24)	1987/01	1996/12



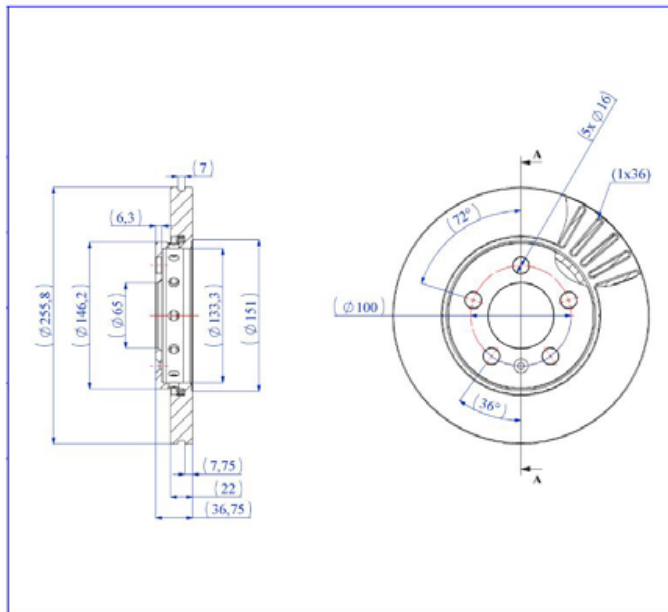
## BRAKE DISC

FREN DISK

- Front Axle
- Vented
- Oiled

- **OEM Standarts**
- **AYD Quality**
- **Safety**
- **Performance**

OE:  
6QD 615 301  
6RD 615 301



AYD NO  
**10-50153**

MATERIAL  
**TYPE-1**

WEIGHT  
**5.06 KG**

BALANCING  
**100 %**



**10-50153**

### Technical Specifications:

Diameter (mm)	Height (mm)	Brake Disc Thickness (mm)	Min. Thickness (mm)	Centering Diameter (mm)	Bolt Hole Circle (mm)	Num. of Holes
255.8	36.75	22	19	65	100	5+1

## SKODA

MODEL	START Y.	END Y.
FABIA I (6Y2)	1999/08	2008/03
FABIA I Combi (6Y5)	2000/04	2007/12
FABIA I Praktik (6Y5)	2000/01	2007/12
FABIA I Sedan (6Y3)	1999/10	2007/12
FABIA II (542)	2006/12	2014/12
FABIA II Combi (545)	2007/10	2014/12
FABIA III (NJ3)	2014/08	
FABIA III Station wagon (NJ5)	2014/08	
OCTAVIA I (1U2)	1996/09	2010/12
OCTAVIA I Combi (1U5)	1998/07	2010/12
OCTAVIA I Kombi van (1U5)	2000/08	2010/03



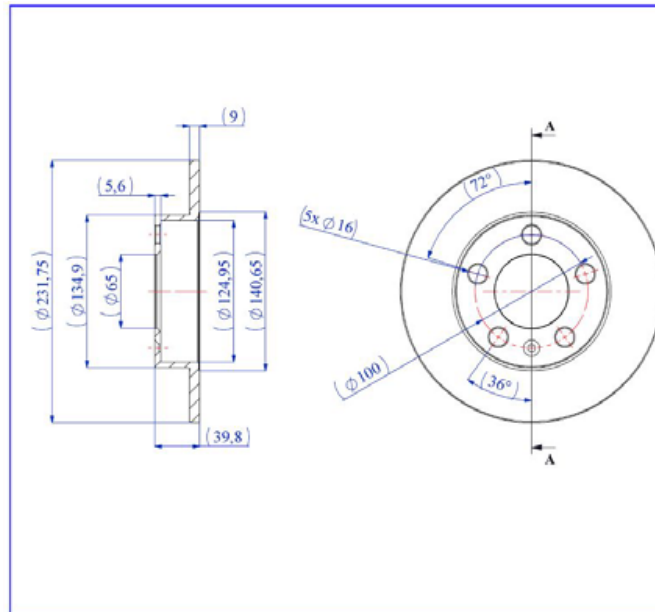
## BRAKE DISC

FREN DISK

- Rear Axle
- Solid
- Oiled

- OEM Standarts
- AYD Quality
- Safety
- Performance

OE:  
2Q0 615 601 H  
6QD 615 601 A



**AYD**  
AUTOMOTIVE INDUSTRY

AYD NO  
**10-50156**

MATERIAL  
**TYPE-1**

WEIGHT  
**2.69 KG**

BALANCING  
**100 %**



**10-50156**

### Technical Specifications:

Diameter (mm)	Height (mm)	Brake Disc Thickness (mm)	Min. Thickness (mm)	Centering Diameter (mm)	Bolt Hole Circle (mm)	Num. of Holes
231.75	39.8	9	7	65	100	5+1

## SKODA

MODEL	START Y.	END Y.
FABIA I (6Y2)	1999/08	2008/03
FABIA I Combi (6Y5)	2000/04	2007/12
FABIA I Praktik (6Y5)	2000/01	2007/12
FABIA I Sedan (6Y3)	1999/10	2007/12
FABIA II (542)	2006/12	2014/12
FABIA II Combi (545)	2007/10	2014/12
FABIA III (NJ3)	2014/08	
FABIA III Station wagon (NJ5)	2014/08	
OCTAVIA I (1U2)	1996/09	2010/12
OCTAVIA I Combi (1U5)	1998/07	2010/12
RAPID (NH3)	2012/07	2019/12

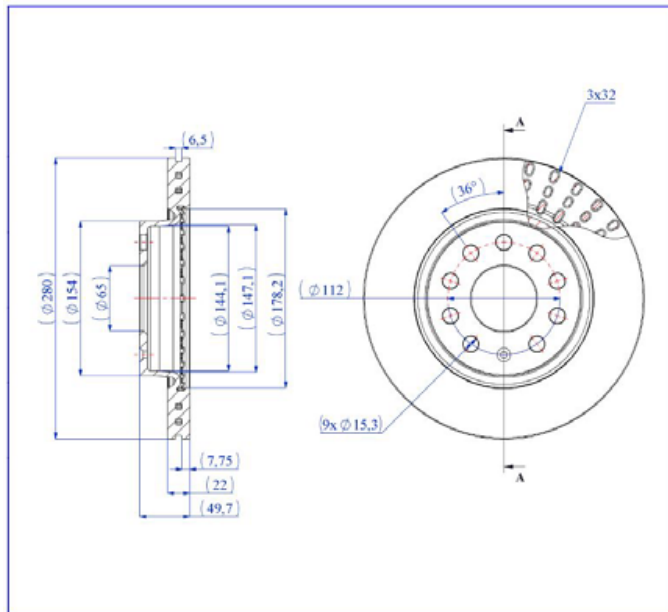


## BRAKE DISC

FREN DISK

- Front Axle
- Vented
- Oiled

- OEM Standarts
- AYD Quality
- Safety
- Performance



AYD NO  
**10-50162**

MATERIAL  
**TYPE-1**

WEIGHT  
**5.67 KG**

BALANCING  
**100 %**



OE:  
1K0615301AQ

**10-50162**

### Technical Specifications:

Diameter (mm)	Height (mm)	Brake Disc Thickness (mm)	Min. Thickness (mm)	Centering Diameter (mm)	Bolt Hole Circle (mm)	Num. of Holes
280	49.7	22	19	65	112	9+1

## SKODA

MODEL	START Y.	END Y.
OCTAVIA II (1Z3)	2004/02	2013/06
OCTAVIA II Combi (1Z5)	2004/02	2013/06
YETI (5L)	2009/05	2017/12



## BRAKE DISC

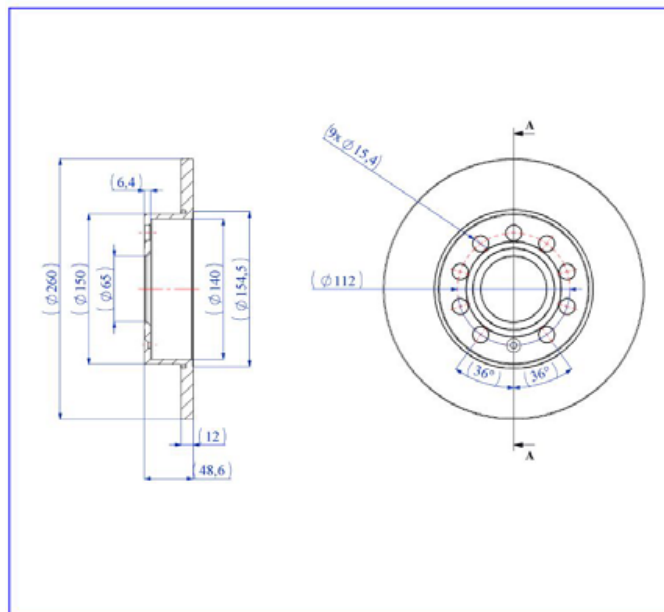
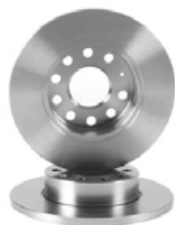
FREN DISK

- Rear Axle
- Solid
- Oiled

- **OEM Standarts**
- **AYD Quality**
- **Safety**
- **Performance**

OE:  
1K0615601AC

**10-50180**



**AYD**  
AUTOMOTIVE INDUSTRY

AYD NO  
**10-50180**

MATERIAL  
**TYPE-1**

WEIGHT  
**4.25 KG**

BALANCING  
**100 %**



### Technical Specifications:

Diameter (mm)	Height (mm)	Brake Disc Thickness (mm)	Min. Thickness (mm)	Centering Diameter (mm)	Bolt Hole Circle (mm)	Num. of Holes
260	48.6	12	10	65	112	9+1

## SKODA

MODEL	START Y.	END Y.
OCTAVIA II (1Z3)	2004/02	2013/06
OCTAVIA II Combi (1Z5)	2004/02	2013/06
SUPERB II (3T4)	2008/03	2015/05
SUPERB II Station wagon (3T5)	2009/10	2015/05
YETI (5L)	2009/05	2017/12



## BRAKE DISC

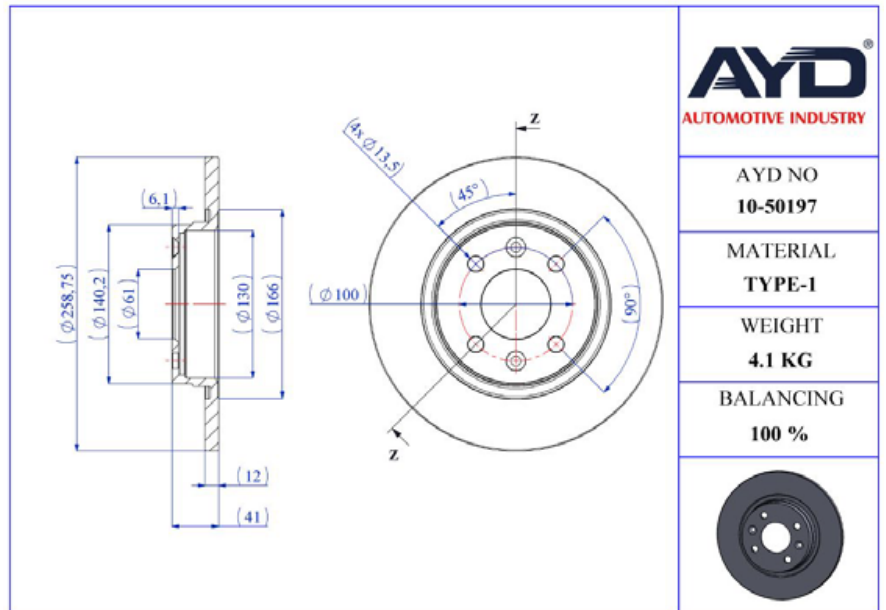
FREN DISK

- Front Axle
- Solid
- Oiled

- OEM Standarts
- AYD Quality
- Safety
- Performance

OE:  
4534200000

**10-50197**



**AYD**  
AUTOMOTIVE INDUSTRY

AYD NO  
**10-50197**

MATERIAL  
**TYPE-1**

WEIGHT  
**4.1 KG**

BALANCING  
**100 %**



### Technical Specifications:

Diameter (mm)	Height (mm)	Brake Disc Thickness (mm)	Min. Thickness (mm)	Centering Diameter (mm)	Bolt Hole Circle (mm)	Num. of Holes
258.75	41	12	10.6	61	100	4+2

## SMART

MODEL	START Y.	END Y.
FORFOUR Hatchback (453)	2014/07	
FORTWO Cabrio (453)	2015/09	
FORTWO Coupe (453)	2014/07	



## BRAKE DISC

FREN DISK

- Rear Axle
- Solid
- Oiled

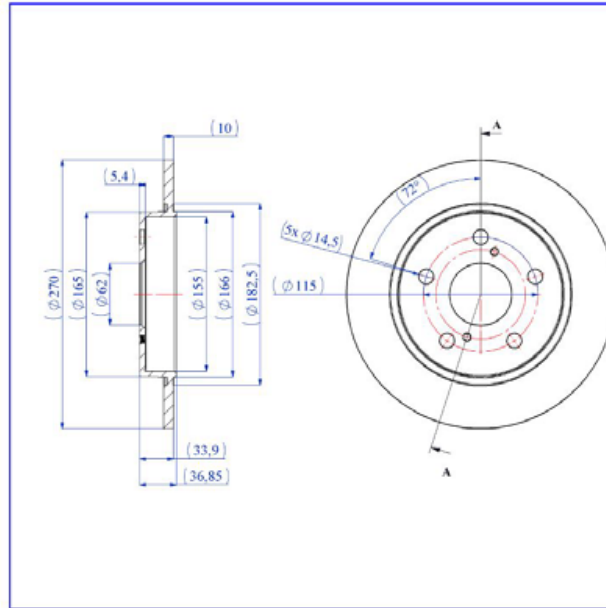
- OEM Standarts
- AYD Quality
- Safety
- Performance

OE:

4243102170

4243112280

42431 02180



**AYD**  
AUTOMOTIVE INDUSTRY

AYD NO  
**10-50221**

MATERIAL  
**TYPE-1**

WEIGHT  
**3.7 KG**

BALANCING  
**100 %**



**10-50221**

### Technical Specifications:

Diameter (mm)	Height (mm)	Brake Disc Thickness (mm)	Min. Thickness (mm)	Centering Diameter (mm)	Bolt Hole Circle (mm)	Num. of Holes
270	36.85	10	8	62.1	115	5+2

## TOYOTA

MODEL	START Y.	END Y.
AURIS (_E15_)	2006/10	2012/09
AURIS (_E18_)	2012/10	2018/12
AURIS Kasa/ejik arka (_E15_)	2007/03	2012/09
AURIS Station wagon (_E18_)	2013/07	2018/12
AURIS VAN Kasa/ejik arka (_E18_)	2013/03	2018/12
COROLLA Sedan (_E15_)	2006/10	
COROLLA Sedan (_E18_, ZRE1_)	2013/06	2019/08

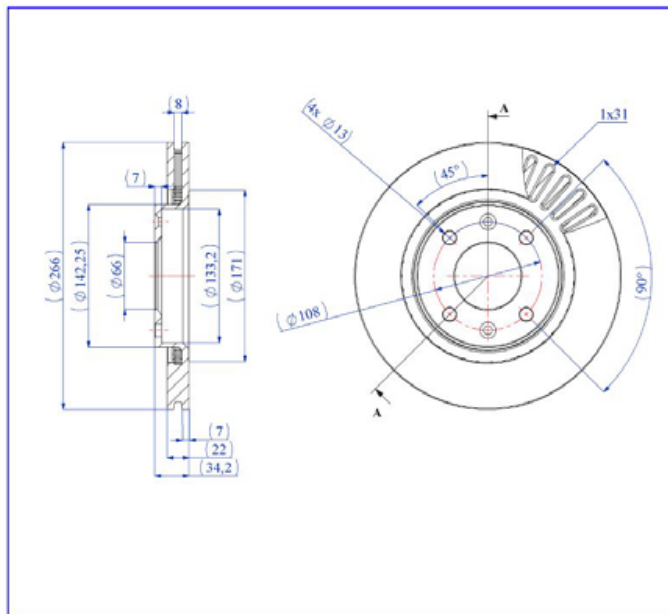


## BRAKE DISC

FREN DISK

- Front Axle
- Vented
- Oiled

- OEM Standarts
- AYD Quality
- Safety
- Performance

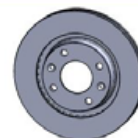


AYD NO  
**10-50151**

MATERIAL  
**TYPE-1**

WEIGHT  
**5.05 KG**

BALANCING  
**100 %**



OE:  
3556159

**10-50151**

### Technical Specifications:

Diameter (mm)	Height (mm)	Brake Disc Thickness (mm)	Min. Thickness (mm)	Centering Diameter (mm)	Bolt Hole Circle (mm)	Num. of Holes
266	34.2	22	20	66	108	4+2

## VAUXHALL

MODEL	START Y.	END Y.
CROSSLAND X (P17)	2017/03	



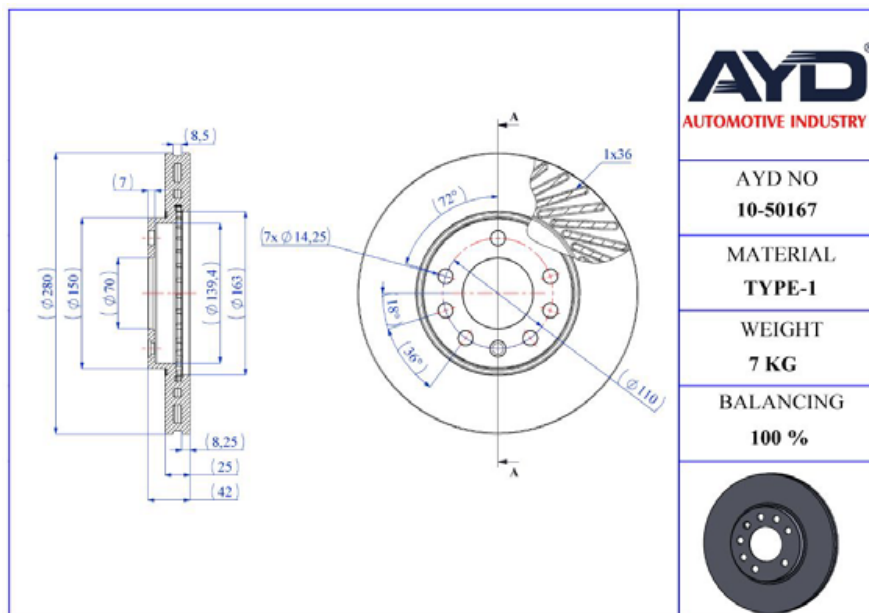


## BRAKE DISC

FREN DISK

- Front Axle
- Vented
- Oiled

- OEM Standarts
- AYD Quality
- Safety
- Performance



**AYD**  
AUTOMOTIVE INDUSTRY

AYD NO  
**10-50167**

MATERIAL  
**TYPE-1**

WEIGHT  
**7 KG**

BALANCING  
**100 %**



OE:  
93197592

**10-50167**

### Technical Specifications:

Diameter (mm)	Height (mm)	Brake Disc Thickness (mm)	Min. Thickness (mm)	Centering Diameter (mm)	Bolt Hole Circle (mm)	Num. of Holes
280	42	25	22	70	110	7+1

## VAUXHALL

MODEL	START Y.	END Y.
ASTRA Mk IV (G) Cabrio (T98)	2001/03	2005/10
ASTRA Mk IV (G) Coupe (T98)	2000/03	2005/08
ASTRA Mk IV (G) Hatchback (T98)	1998/02	2005/05
ASTRA Mk IV (G) Sedan (T98)	1998/02	2005/05
ASTRA Mk IV (G) Station wagon (T98)	1998/02	2005/05
ASTRA Mk V (H) (A04)	2004/01	2009/09
ASTRA Mk V (H) Sport Hatch (A04)	2005/02	2010/11
ASTRA Mk V (H) Station wagon (A04)	2004/08	2012/10
ASTRA Mk V (H) TwinTop (A04)	2005/09	2011/08
ASTRAVAN Mk IV (G) Kombi van (T98)	1993/01	2006/08
ASTRAVAN Mk V (H) Kombi van (A04)	2005/03	

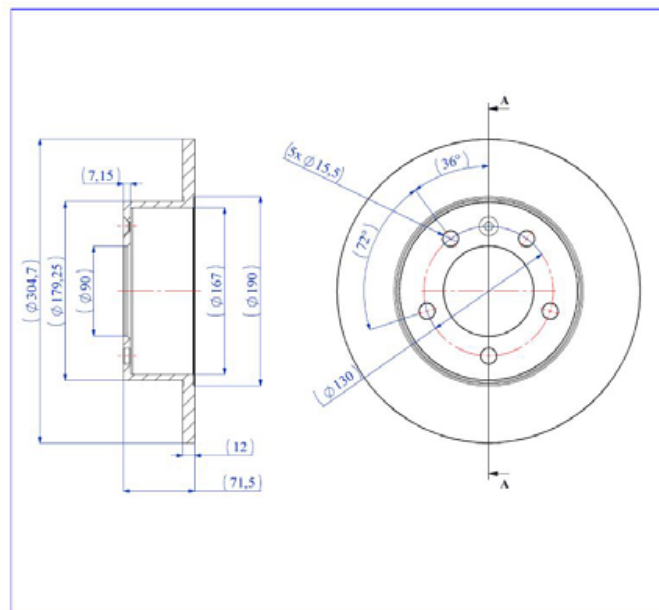


## BRAKE DISC

FREN DISK

- Rear Axle
- Solid
- Oiled

- OEM Standarts
- AYD Quality
- Safety
- Performance

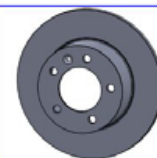


AYD NO  
**10-50247**

MATERIAL  
**TYPE-1**

WEIGHT  
**6.5 KG**

BALANCING  
**100 %**



OE:  
93197406

**10-50247**

### Technical Specifications:

Diameter (mm)	Height (mm)	Brake Disc Thickness (mm)	Min. Thickness (mm)	Centering Diameter (mm)	Bolt Hole Circle (mm)	Num. of Holes
304.7	71.5	12	10	90	130	5+1

## VAUXHALL

MODEL	START Y.	END Y.
MOVANO Mk II (B) Chassis/Cab (X62)	2010/05	
MOVANO Mk II (B) Combi (X62)	2010/05	
MOVANO Mk II (B) VAN (X62)	2010/05	



## BRAKE DISC

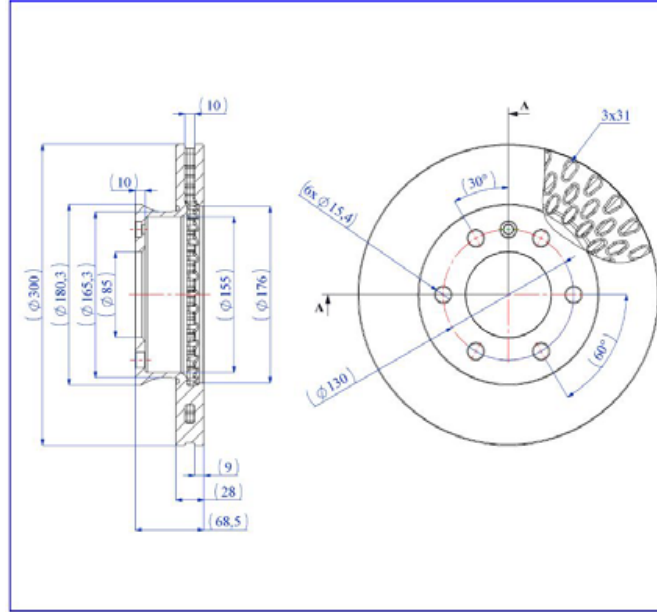
FREN DISK

- Front Axle
- Vented
- Oiled

- OEM Standarts
- AYD Quality
- Safety
- Performance

OE:  
2E0615301

**10-50150**



**AYD**  
AUTOMOTIVE INDUSTRY

AYD NO  
**10-50150**

MATERIAL  
**TYPE-1**

WEIGHT  
**8.9 KG**

BALANCING  
**100 %**



### Technical Specifications:

Diameter (mm)	Height (mm)	Brake Disc Thickness (mm)	Min. Thickness (mm)	Centering Diameter (mm)	Bolt Hole Circle (mm)	Num. of Holes
300	68.5	28	25	85	130	6+1

## VW

MODEL	START Y.	END Y.
CRAFTER 30-35 Minibüs/Otobüs (2E_)	2006/04	2016/12
CRAFTER 30-50 Panelvan/Van (2E_)	2006/04	2016/12
CRAFTER 30-50 Platform şasi (2F_)	2006/04	2016/12



## BRAKE DISC

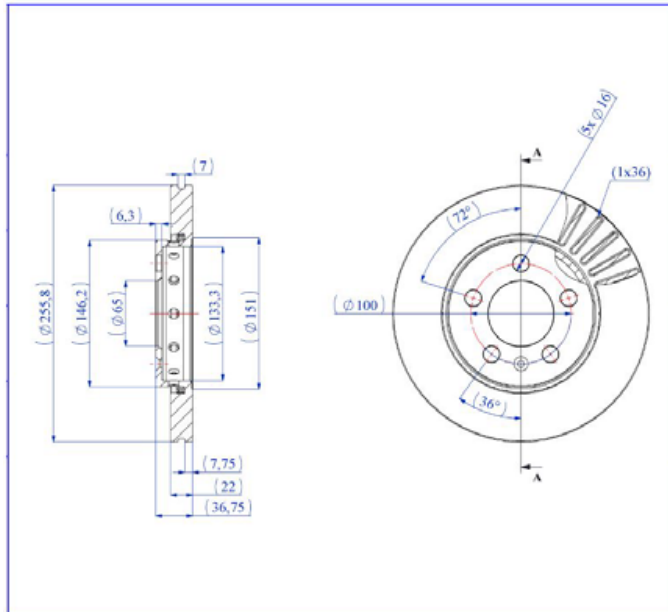
FREN DISK

- Front Axle
- Vented
- Oiled

- OEM Standarts
- AYD Quality
- Safety
- Performance

OE:

1JE 615 301  
6QD 615 301  
6RD 615 301



**AYD**  
AUTOMOTIVE INDUSTRY

AYD NO  
**10-50153**

MATERIAL  
**TYPE-1**

WEIGHT  
**5.06 KG**

BALANCING  
**100 %**



**10-50153**

### Technical Specifications:

Diameter (mm)	Height (mm)	Brake Disc Thickness (mm)	Min. Thickness (mm)	Centering Diameter (mm)	Bolt Hole Circle (mm)	Num. of Holes
255.8	36.75	22	19	65	100	5+1

## VW

MODEL	START Y.	END Y.
BORA I (1J2)	1998/10	2013/12
BORA Variant (1J6)	1999/05	2005/05
FOX Hatchback (5Z1, 5Z3, 5Z4)	2003/08	2015/10
FOX Van (5Z1)	2010/09	2011/12
GOLF III (1H1)	1989/10	1998/07
GOLF IV (1J1)	1997/08	2007/12
GOLF IV Van (1J1)	1997/10	2004/05
GOLF IV Variant (1J5)	1999/05	2006/06
GOLF VAN IV Variant (1J5)	1999/05	2006/06
POLO (9N_)	2001/10	2014/10
POLO III CLASSIC (6V2)	1995/01	2009/11



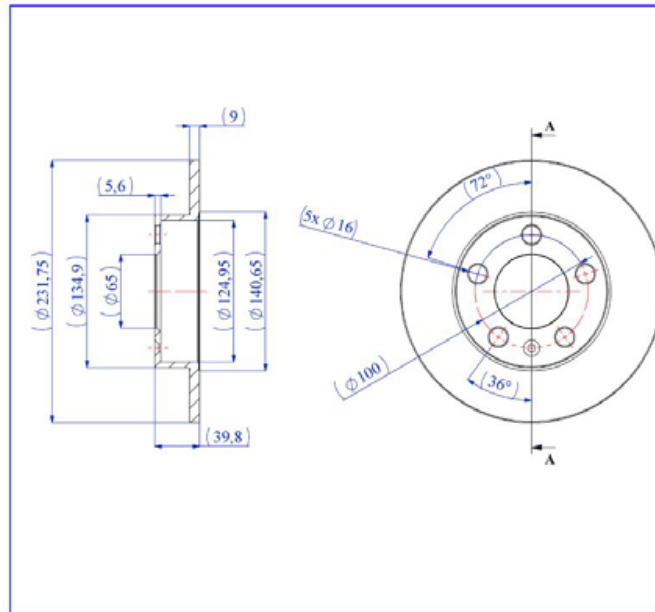
## BRAKE DISC

FREN DISK

- Rear Axle
- Solid
- Oiled

- OEM Standarts
- AYD Quality
- Safety
- Performance

OE:  
L6QD615601  
L6QD615601A  
2Q0615601H



**AYD**  
AUTOMOTIVE INDUSTRY

AYD NO  
**10-50156**

MATERIAL  
**TYPE-1**

WEIGHT  
**2.69 KG**

BALANCING  
**100 %**



**10-50156**

### Technical Specifications:

Diameter (mm)	Height (mm)	Brake Disc Thickness (mm)	Min. Thickness (mm)	Centering Diameter (mm)	Bolt Hole Circle (mm)	Num. of Holes
231.75	39.8	9	7	65	100	5+1

## VW

MODEL	START Y.	END Y.
BORA I (1J2)	1998/10	2013/12
BORA Variant (1J6)	1999/05	2005/05
GOLF IV (1J1)	1997/08	2007/12
GOLF IV Cabriolet (1E7)	1998/06	2002/12
GOLF IV Van (1J1)	1997/10	2004/05
GOLF IV Variant (1J5)	1999/05	2006/06
GOLF VAN IV Variant (1J5)	1999/05	2006/06
NEW BEETLE (9C1, 1C1)	1998/01	2010/11
NEW BEETLE Cabrio (1Y7)	2002/09	2011/12
POLO (9N_)	2001/10	2014/10
POLO IV Sedan (9A4, 9A2, 9N2, 9A6)	2002/09	



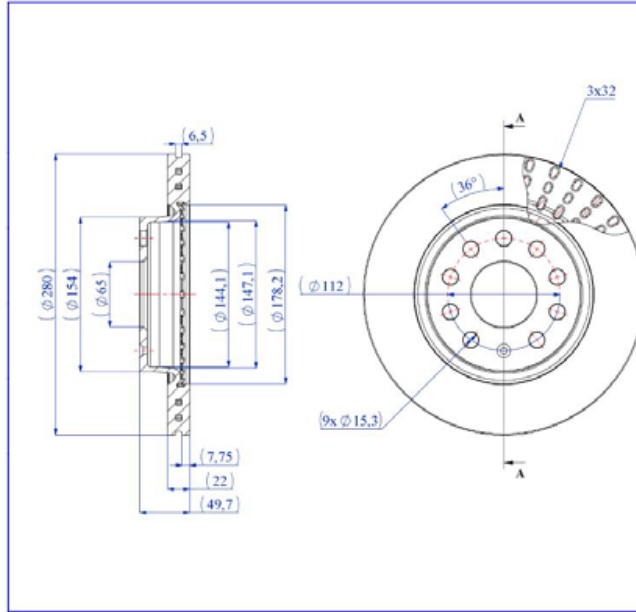
## BRAKE DISC

FREN DISK

- Front Axle
- Vented
- Oiled

- OEM Standarts
- AYD Quality
- Safety
- Performance

OE:  
5C0 615 301  
5C0 615 301 C  
1K0615301AQ



**AYD**  
AUTOMOTIVE INDUSTRY

AYD NO  
**10-50162**

MATERIAL  
**TYPE-1**

WEIGHT  
**5.67 KG**

BALANCING  
**100 %**



**10-50162**

### Technical Specifications:

Diameter (mm)	Height (mm)	Brake Disc Thickness (mm)	Min. Thickness (mm)	Centering Diameter (mm)	Bolt Hole Circle (mm)	Num. of Holes
280	49.7	22	19	65	112	9+1

## VW

MODEL	START Y.	END Y.
BEETLE (5C1, 5C2)	2011/04	2019/07
BEETLE Cabrio (5C7, 5C8)	2011/12	2019/07
CADDY III Kasa/büyük limuzin (2KA, 2KH, 2CA,	2004/03	2015/05
CADDY III MPV (2KB, 2KJ, 2CB, 2CJ)	2004/03	2015/05
EOS (1F7, 1F8)	2006/03	2015/08
GOLF PLUS V (5M1, 521)	2004/12	2013/12
GOLF PLUS Van (521)	2009/01	2014/08
GOLF V (1K1)	2003/10	2010/07
GOLF V Variant (1K5)	2007/01	2009/07
GOLF VAN VI Variant (AJ5)	2009/07	2014/05
GOLF VI (5K1)	2008/10	2014/12



## BRAKE DISC

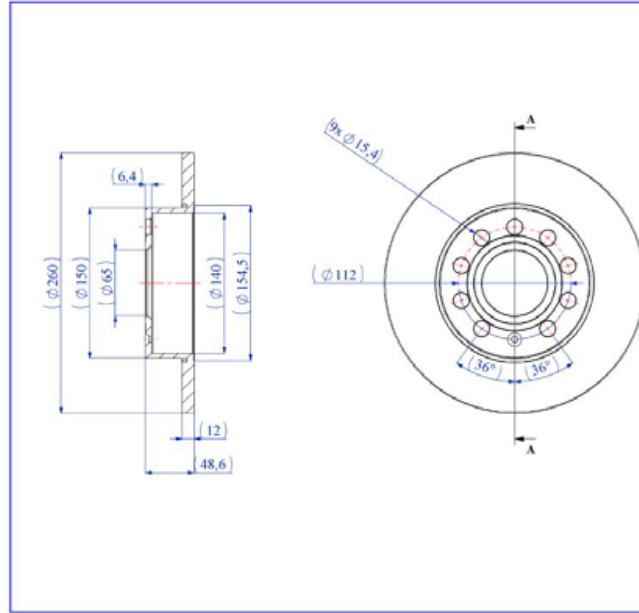
FREN DISK

- Rear Axle
- Solid
- Oiled

- OEM Standarts
- AYD Quality
- Safety
- Performance

OE:  
1K0615601AC

**10-50180**



**AYD**  
AUTOMOTIVE INDUSTRY

AYD NO  
**10-50180**

MATERIAL  
**TYPE-1**

WEIGHT  
**4.25 KG**

BALANCING  
**100 %**



### Technical Specifications:

Diameter (mm)	Height (mm)	Brake Disc Thickness (mm)	Min. Thickness (mm)	Centering Diameter (mm)	Bolt Hole Circle (mm)	Num. of Holes
260	48.6	12	10	65	112	9+1

## VW

MODEL	START Y.	END Y.
CADDY III Kasa/büyük limuzin (2KA, 2KH, 2CA,	2004/03	2015/05
CADDY III MPV (2KB, 2KJ, 2CB, 2CJ)	2004/03	2015/05
CADDY Kasa/büyük limuzin (6K9, 9E7, 9E9)	2002/09	2009/12
GOLF PLUS V (5M1, 521)	2004/12	2013/12
GOLF PLUS Van (521)	2009/01	2014/08
GOLF V (1K1)	2003/10	2010/07
GOLF V Variant (1K5)	2007/01	2009/07
GOLF VAN VI Variant (AJ5)	2009/07	2014/05
GOLF VI (5K1)	2008/10	2014/12
GOLF VI Van (5K1_)	2008/10	2012/11
GOLF VI Variant (AJ5)	2009/07	2014/07



## BRAKE DISC

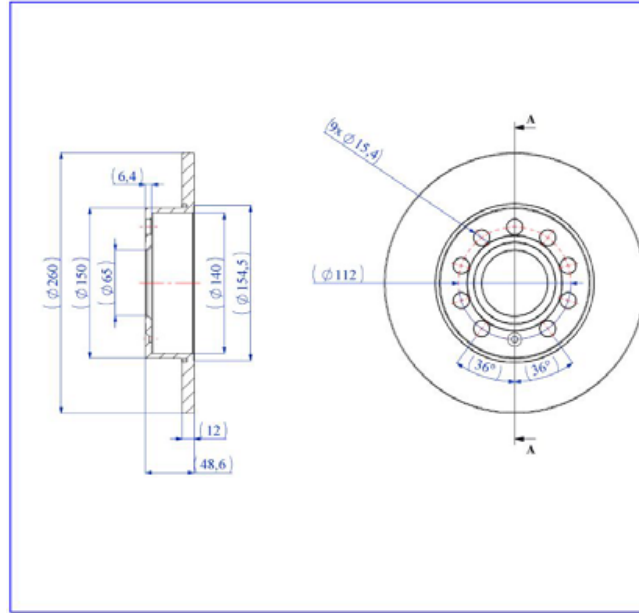
FREN DISK

- Rear Axle
- Solid
- Oiled

- OEM Standarts
- AYD Quality
- Safety
- Performance

OE:  
1K0615601AC

**10-50180**



**AYD**  
AUTOMOTIVE INDUSTRY

AYD NO  
**10-50180**

MATERIAL  
**TYPE-1**

WEIGHT  
**4.25 KG**

BALANCING  
**100 %**



### Technical Specifications:

Diameter (mm)	Height (mm)	Brake Disc Thickness (mm)	Min. Thickness (mm)	Centering Diameter (mm)	Bolt Hole Circle (mm)	Num. of Holes
260	48.6	12	10	65	112	9+1

## VW

MODEL	START Y.	END Y.
CADDY III Kasa/büyük limuzin (2KA, 2KH, 2CA,	2004/03	2015/05
CADDY III MPV (2KB, 2KJ, 2CB, 2CJ)	2004/03	2015/05
CADDY Kasa/büyük limuzin (6K9, 9E7, 9E9)	2002/09	2009/12
GOLF PLUS V (5M1, 521)	2004/12	2013/12
GOLF PLUS Van (521)	2009/01	2014/08
GOLF V (1K1)	2003/10	2010/07
GOLF V Variant (1K5)	2007/01	2009/07
GOLF VAN VI Variant (AJ5)	2009/07	2014/05
GOLF VI (5K1)	2008/10	2014/12
GOLF VI Van (5K1_)	2008/10	2012/11
GOLF VI Variant (AJ5)	2009/07	2014/07





## BRAKE DISC

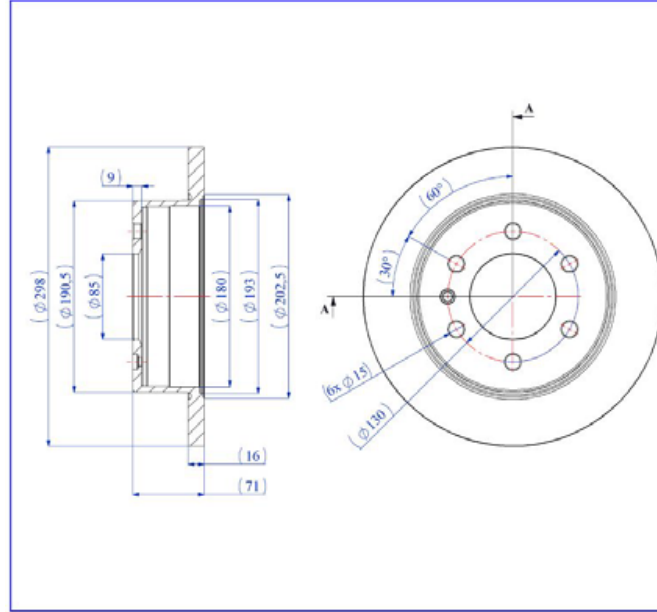
FREN DISK

- Rear Axle
- Solid
- Oiled

- OEM Standarts
- AYD Quality
- Safety
- Performance

OE:  
2E0615601A

**10-50209**



**AYD**<sup>®</sup>  
AUTOMOTIVE INDUSTRY

AYD NO  
**10-50209**

MATERIAL  
**TYPE-1**

WEIGHT  
**7.4 kg**

BALANCING  
**100 %**



### Technical Specifications:

Diameter (mm)	Height (mm)	Brake Disc Thickness (mm)	Min. Thickness (mm)	Centering Diameter (mm)	Bolt Hole Circle (mm)	Num. of Holes
298	71	16	14	85	130	6+1

## VW

MODEL	START Y.	END Y.
CRAFTER 30-35 Minibüs/Otobüs (2E_)	2006/04	2016/12
CRAFTER 30-50 Panelvan/Van (2E_)	2006/04	2016/12
CRAFTER 30-50 Platform şasi (2F_)	2006/04	2016/12



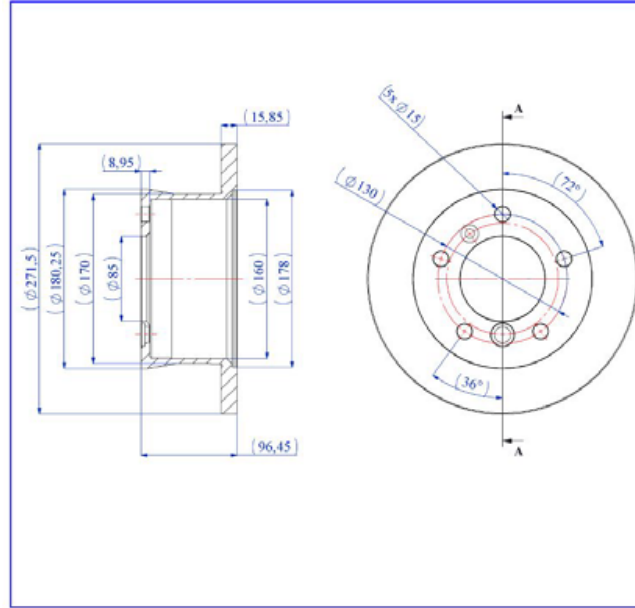
## BRAKE DISC

FREN DISK

- Rear Axle
- Solid
- Oiled

- OEM Standarts
- AYD Quality
- Safety
- Performance

OE:  
2D0615601A  
2D0615601D



**AYD**<sup>®</sup>  
AUTOMOTIVE INDUSTRY

AYD NO  
**10-50329**

MATERIAL  
**TYPE-1**

WEIGHT  
**6.97 KG**

BALANCING  
**100 %**



**10-50329**

### Technical Specifications:

Diameter (mm)	Height (mm)	Brake Disc Thickness (mm)	Min. Thickness (mm)	Centering Diameter (mm)	Bolt Hole Circle (mm)	Num. of Holes
271.5	96.45	15.85	14	85	130	5+2

## VW

MODEL	START Y.	END Y.
LT 28-35 II Minibüs/Otobüs (2DB, 2DE, 2DK)	1996/04	2006/07
LT 28-46 II Panelvan/Van (2DA, 2DD, 2DH)	1996/04	2006/07
LT 28-46 II Platform şasi (2DC, 2DF, 2DG, 2DL,	1996/04	2006/07

