

new to range

SPEED TO MARKET SECOND TO NONE

AYD[®]
AUTOMOTIVE INDUSTRY



BRAKE WITH CONFIDENCE

SAFETY

PERFORMANCE

OEM Standards

AYD QUALITY

www.aydtr.com



JUNE 2022

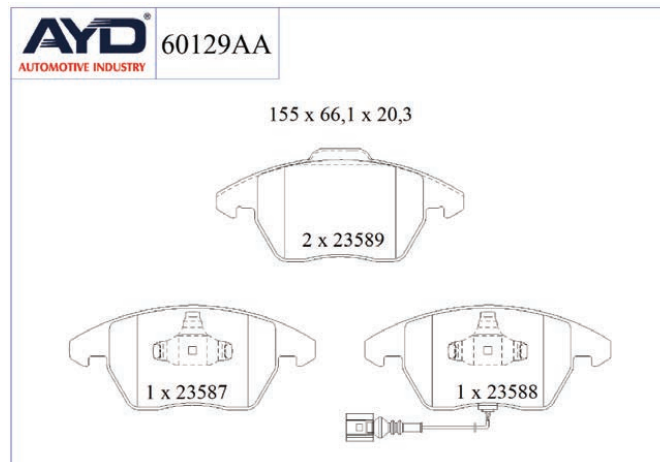
INDEX

AUDI	3
ASIA MOTORS	4
CHEVROLET	5-8
CITROEN	9
FIAT	10
FORD	11
HONDA	12-14
HYUNDAI	15-18
INFINITI	19-21
KIA	22-26
MAZDA	27
MERCEDES-BENZ	28-29
MG	30
NISSAN	31-35
OPEL	36-40
PEUGEOT	41-42
RENAULT	43-44
ROVER	45
SAAB	46-48
SEAT	49
SKODA	50
TOYOTA	51
VAUXHALL	52-53
VOLKSWAGEN	54-55

BRAKE PAD

• Front Axle

- Safety
- Performance
- OEM Standards
- AYD Quality



OE:
3C0698151D

11-60129AA

WVA :23587-23588-23589

Technical Specifications:

Shim	Wear Indicator	Indicator Type	Piston Spring	Compression Spring	Rivet	Clips	Bolt	Plastic Plug	Kit
4	1	-	2	-	-	-	-	-	-

AUDI

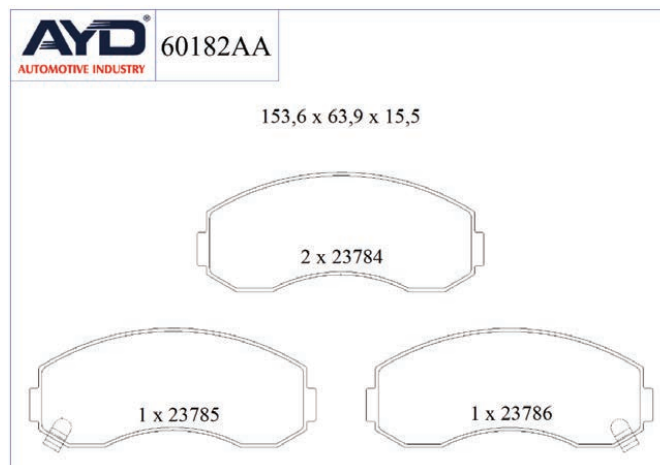
MODEL	START D.	END Y.
A1 (8X1, 8XK)	2010/05	2018/10
A1 Sportback (8XA, 8XF)	2011/09	2018/10
A3 (8P1)	2003/05	2013/12
A3 Cabrio (8P7)	2008/04	2013/05
A3 Sportback (8PA)	2004/09	2015/12
TT (8J3)	2006/07	2015/01
TT Roadster (8J9)	2007/03	2014/06



BRAKE PAD

• Front Axle

- Safety
- Performance
- OEM Standarts
- AYD Quality



OE:
RB913311261
RB91331626

11-60182AA

WVA :23784-23785-23786

Technical Specifications:

Shim	Wear Indicator	Indicator Type	Piston Spring	Compression Spring	Rivet	Clips	Bolt	Plastic Plug	Kit
4	2	-	-	-	-	-	-	-	-

ASIA MOTORS

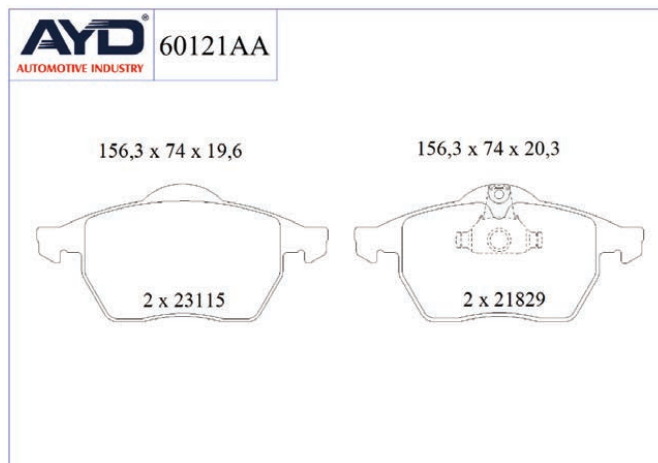
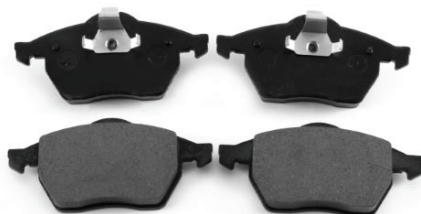
MODEL	START D.	END Y.
HI-TOPIC (AM715)	1993/06	1999/12



BRAKE PAD

- Front Axle

- Safety
- Performance
- OEM Standarts
- AYD Quality



OE:
93192996

11-60121AA

WVA :23115-21829

Technical Specifications:

Shim	Wear Indicator	Indicator Type	Piston Spring	Compression Spring	Rivet	Clips	Bolt	Plastic Plug	Kit
-	-	-	2	-	-	-	-	-	-

CHEVROLET

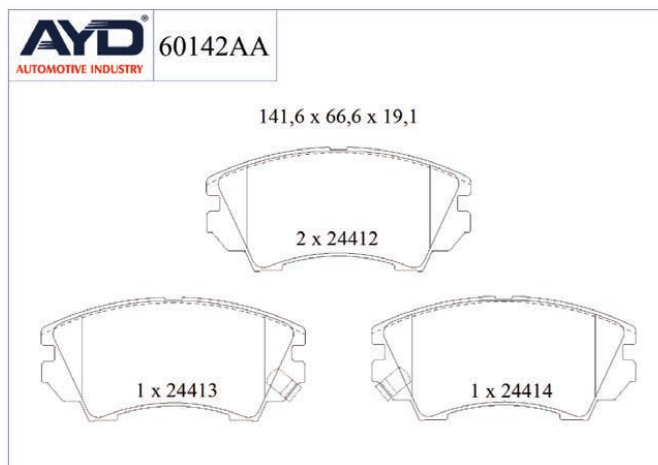
MODEL	START D.	END Y.
VECTRA	1996/03	2006/11



BRAKE PAD

• Front Axle

- Safety
- Performance
- OEM Standarts
- AYD Quality



OE:
13237751

11-60142AA

WVA :24412-24413-24414

Technical Specifications:

Shim	Wear Indicator	Indicator Type	Piston Spring	Compression Spring	Rivet	Clips	Bolt	Plastic Plug	Kit
4	2	-	-	-	-	-	-	-	-

CHEVROLET

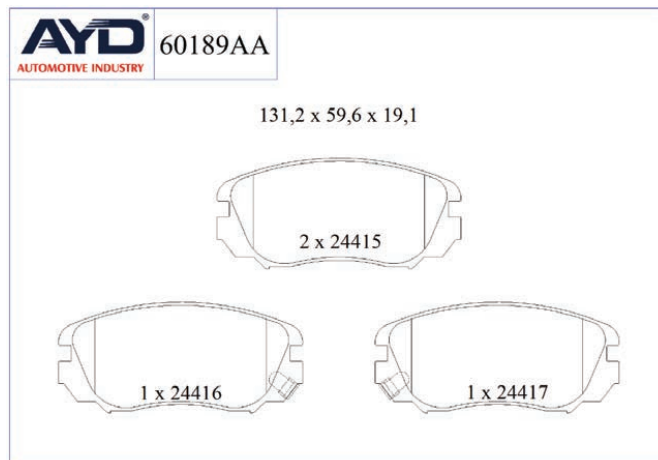
MODEL	START D.	END Y.
CAMARO	2009/02	2015/12
CAMARO Cabrio	2011/01	
MALIBU (V300)	2012/01	



BRAKE PAD

• Front Axle

- Safety
- Performance
- OEM Standarts
- AYD Quality



OE:
13237750
13312895
20877794

11-60189AA

WVA :24415-24416-24417

Technical Specifications:

Shim	Wear Indicator	Indicator Type	Piston Spring	Compression Spring	Rivet	Clips	Bolt	Plastic Plug	Kit
4	2	-	-	-	-	-	-	-	-

CHEVROLET

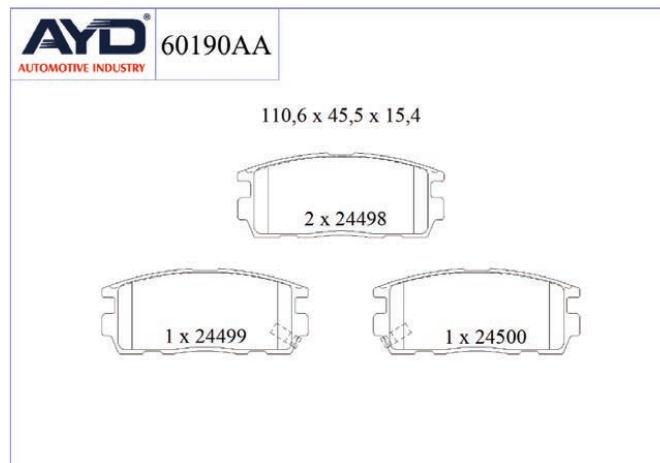
MODEL	START D.	END Y.
MALIBU (V300)	2012/01	



BRAKE PAD

• Rear Axle

- Safety
- Performance
- OEM Standarts
- AYD Quality



OE:
95459513
19149904
19171816

11-60190AA

WVA :24498-24499-24450

Technical Specifications:

Shim	Wear Indicator	Indicator Type	Piston Spring	Compression Spring	Rivet	Clips	Bolt	Plastic Plug	Kit
4	2	-	-	-	-	-	-	-	-

CHEVROLET

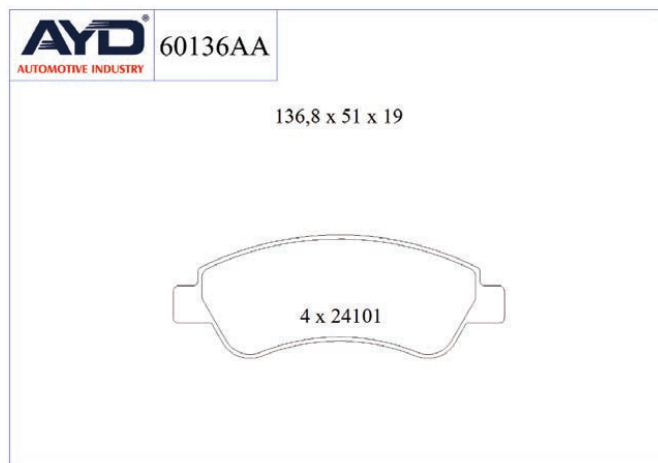
MODEL	START D.	END Y.
CAPTIVA (C100, C140)	2006/06	
CAPTIVA SPORT	2007/01	
CAPTIVA Van (C100)	2006/06	
EQUINOX	2003/04	2009/12



BRAKE PAD

• Front Axle

- Safety
- Performance
- OEM Standards
- AYD Quality



OE:
1617282980

11-60136AA

WVA :24101

Technical Specifications:

Shim	Wear Indicator	Indicator Type	Piston Spring	Compression Spring	Rivet	Clips	Bolt	Plastic Plug	Kit
4	-	-	-	-	-	-	-	-	-

CITROËN

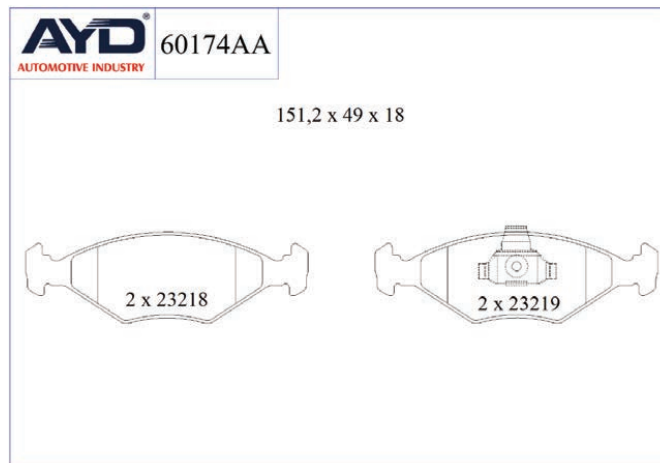
MODEL	START D.	END Y.
BERLINGO / BERLINGO FIRST (M_)	1996/07	2011/12
BERLINGO / BERLINGO FIRST MPV (MF_, GJK_, GFK_)	1996/07	2011/12
C-ELYSEE (DD_)	2012/11	
C2 (JM_)	2003/07	2017/09
C3 AIRCROSS II (2R_, 2C_)	2017/06	
C3 AIRCROSS II Van (2C_, 2R_)	2017/06	
C3 I (FC_, FN_)	2002/02	
C3 II (SC_)	2009/09	
C3 III (SX)	2016/07	
C3 III Van (SX_, SY_)	2016/07	



BRAKE PAD

- Front Axle

- Safety
- Performance
- OEM Standarts
- AYD Quality



OE:
7078947
9947917

11-60174AA

WVA :23218-23219

Technical Specifications:

Shim	Wear Indicator	Indicator Type	Piston Spring	Compression Spring	Rivet	Clips	Bolt	Plastic Plug	Kit
4	-	-	2	-	-	-	-	-	-

FIAT

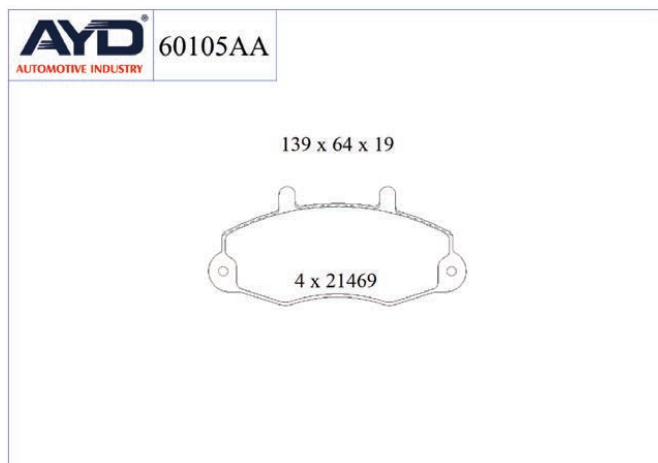
MODEL	START D.	END Y.
PALIO (178_)	1996/04	
PALIO Weekend (178_, 173_, 373_, 374_, 171_)	1996/04	



BRAKE PAD

• Front Axle

- Safety
- Performance
- OEM Standards
- AYD Quality



OE:
5028763

11-60105AA

WVA :21470

Technical Specifications:

Shim	Wear Indicator	Indicator Type	Piston Spring	Compression Spring	Rivet	Clips	Bolt	Plastic Plug	Kit
4	-	-	-	-	-	-	-	-	-

FORD

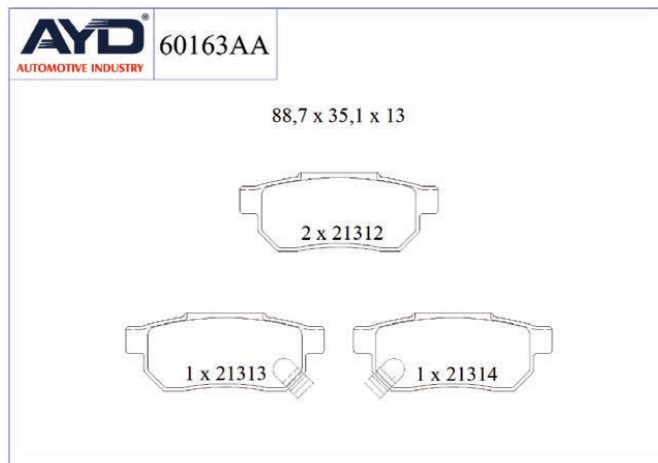
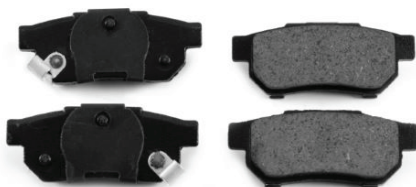
MODEL	START D.	END Y.
TRANSIT Minibus/Bus (E_ _)	1994/06	2000/07
TRANSIT Minibus/Bus (E_ _)	1991/01	1994/09
TRANSIT Panelvan/Van (E_ _)	1994/06	2000/07
TRANSIT Panelvan/Van (E_ _)	1991/05	1994/06
TRANSIT Platform (E_ _)	1994/08	2000/07
TRANSIT Platform (E_ _)	1991/04	1994/08
TRANSIT TOURNEO Minibus/Bus	1994/08	2000/12



BRAKE PAD

• Rear Axle

- Safety
- Performance
- OEM Standarts
- AYD Quality



OE:
43022S04000
43022S04010
43022S04020

11-60163AA

WVA :21312-21313-21314

Technical Specifications:

Shim	Wear Indicator	Indicator Type	Piston Spring	Compression Spring	Rivet	Clips	Bolt	Plastic Plug	Kit
4	2	-	-	-	-	-	-	-	-

HONDA

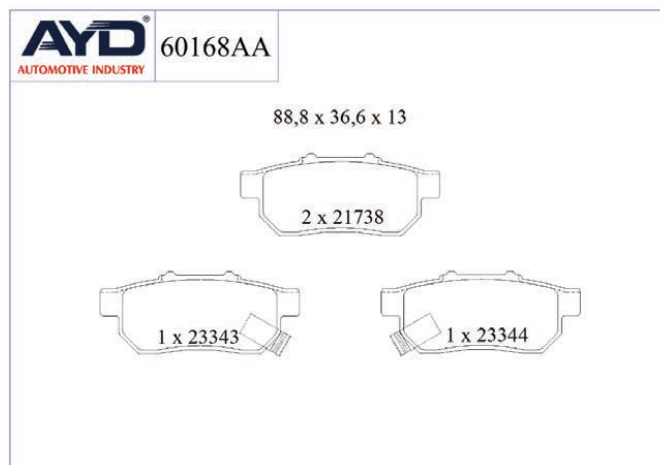
MODEL	START D.	END Y.
ACCORD III (CA)	1985/11	1989/12
ACCORD III Aerodeck (CA)	1985/11	1989/12
CIVIC IV Hatchback (EC, ED, EE)	1987/09	1993/10
CIVIC IV Sedan (ED)	1987/09	1993/10
CIVIC VI Aerodeck (MB, MC)	1998/04	2001/02
CIVIC VI Fastback (MA, MB)	1994/09	2001/02
CIVIC VI Hatchback (EJ, EK)	1995/10	2001/02
CIVIC VI Sedan (EJ, EK)	1995/06	2001/03
CONCERTO (HW, MA)	1989/08	1996/10
CONCERTO Sedan (HWW)	1989/08	1995/05



BRAKE PAD

• Rear Axle

- Safety
- Performance
- OEM Standarts
- AYD Quality



OE:
43022504E03
43022S04E01
43022S04E02

11-60168AA

WVA :21738-23343-23344

Technical Specifications:

Shim	Wear Indicator	Indicator Type	Piston Spring	Compression Spring	Rivet	Clips	Bolt	Plastic Plug	Kit
4	2	-	-	-	-	-	-	-	-

HONDA

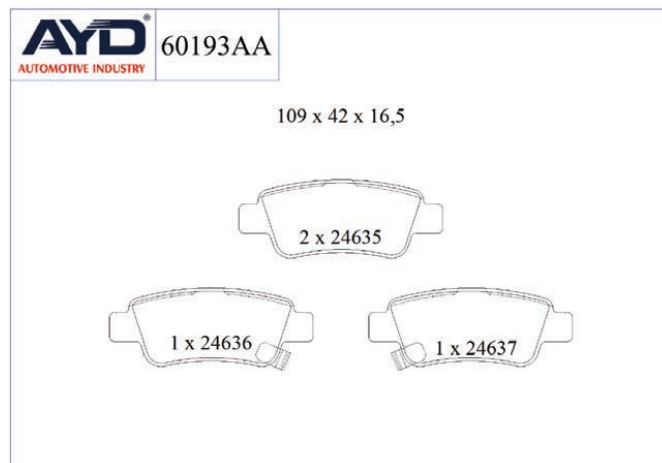
MODEL	START D.	END Y.
CITY V Sedan (GM2, GM3)	2008/09	
CIVIC V Hatchback (EG)	1991/10	1995/11
CIVIC V Sedan (EG, EH)	1991/10	1996/01
CIVIC VI Coupe (EJ, EM1)	1996/03	2000/12
CIVIC VI Hatchback (EJ, EK)	1995/10	2001/02
CRX III (EH, EG)	1992/03	1998/12
JAZZ II (GD_, GE3, GE2)	2001/06	2008/12
JAZZ III (GE_, GG_, GP_, ZA_)	2007/10	
JAZZ IV (GK_)	2013/09	



BRAKE PAD

• Rear Axle

- Safety
- Performance
- OEM Standarts
- AYD Quality



OE:
43022SWWG00
43022SWWG01
43022SWWG02

11-60193AA

WVA :24635-24636-24637

Technical Specifications:

Shim	Wear Indicator	Indicator Type	Piston Spring	Compression Spring	Rivet	Clips	Bolt	Plastic Plug	Kit
4	2	-	-	-	-	-	-	-	-

HONDA

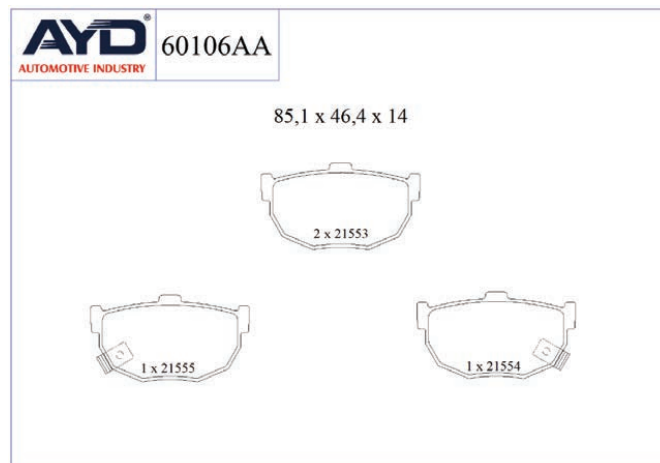
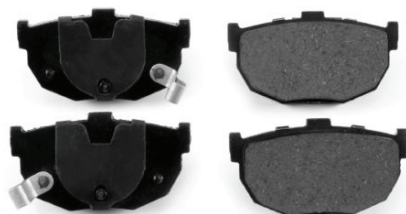
MODEL	START D.	END Y.
CR-V III (RE_)	2006/06	
CR-V IV (RM_)	2012/01	



BRAKE PAD

• Rear Axle

- Safety
- Performance
- OEM Standards
- AYD Quality



OE:
583022FA10

11-60106AA

WVA :21553-21554-21555

Technical Specifications:

Shim	Wear Indicator	Indicator Type	Piston Spring	Compression Spring	Rivet	Clips	Bolt	Plastic Plug	Kit
4	2	-	-	-	-	-	-	-	-

HYUNDAI

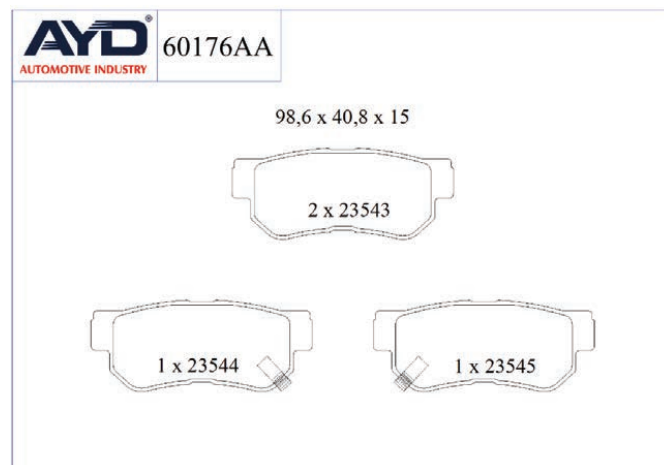
MODEL	START D.	END Y.
COUPE (GK)	2001/01	2012/12
COUPE (RD)	1996/05	2002/04
ELANTRA III (XD)	2000/03	2006/08
ELANTRA III Sedan (XD)	2000/03	2006/09
LANTRA I (J-1)	1990/10	1995/11
LANTRA II (J-2)	1995/06	2000/12
LANTRA II Station wagon (J-2)	1995/06	2000/10
TIBURON Coupe	2001/01	2008/12



BRAKE PAD

• Rear Axle

- Safety
- Performance
- OEM Standards
- AYD Quality



OE:
583021FE00
4841321B10
5830217A00

11-60176AA

**WVA :
23543-23544-23545**

Technical Specifications:

Shim	Wear Indicator	Indicator Type	Piston Spring	Compression Spring	Rivet	Clips	Bolt	Plastic Plug	Kit
4	2	-	-	-	-	-	-	-	-

HYUNDAI

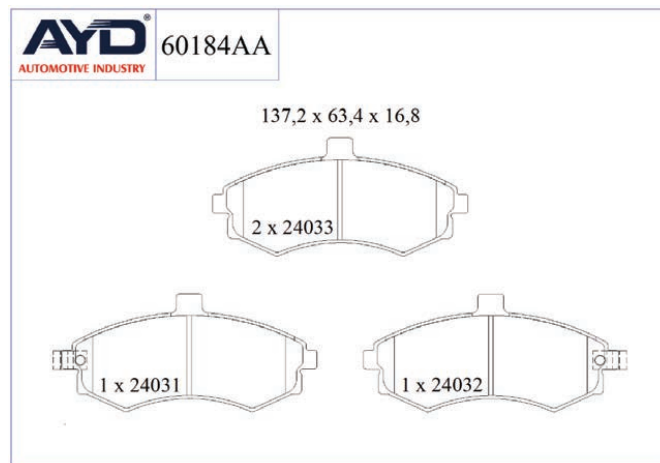
MODEL	START D.	END Y.
ELANTRA III Sedan (XD)	2000/03	2006/09
ELANTRA IV Sedan (HD)	2005/11	
GETZ (TB)	2001/06	2011/01
GRANDEUR (TG)	2003/06	2012/06
HIGHWAY VAN	2000/03	2004/03
MATRIX (FC)	2001/06	2010/08
SANTA FÉ I (SM)	2000/11	2006/03
SONATA IV (EF)	1998/03	2005/12
SONATA V (NF)	2004/12	2012/11
TRAJET (FO)	2000/01	2008/07



BRAKE PAD

• Front Axle

- Safety
- Performance
- OEM Standarts
- AYD Quality



OE:
5810117A10
5810117A20
581012DA30

11-60184AA

WVA :24031-24032-24033

Technical Specifications:

Shim	Wear Indicator	Indicator Type	Piston Spring	Compression Spring	Rivet	Clips	Bolt	Plastic Plug	Kit
4	2	-	-	-	-	-	-	-	-

HYUNDAI

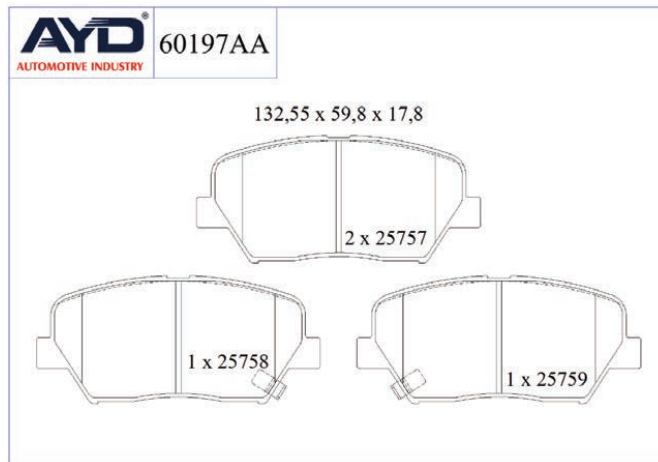
MODEL	START D.	END Y.
ELANTRA III (XD)	2000/03	2006/08
ELANTRA III Sedan (XD)	2000/03	2006/09
MATRIX (FC)	2001/06	2010/08



BRAKE PAD

• Front Axle

- Safety
- Performance
- OEM Standards
- AYD Quality



OE:
581013VA70
581010WA10
581011UA10

11-60197AA

WVA :25757-25758-25759

Technical Specifications:

Shim	Wear Indicator	Indicator Type	Piston Spring	Compression Spring	Rivet	Clips	Bolt	Plastic Plug	Kit
4	2	-	-	-	-	2	-	-	-

HYUNDAI

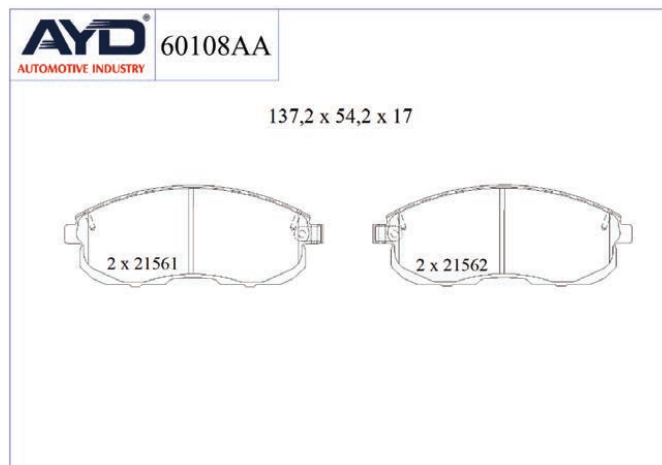
MODEL	START D.	END Y.
GRANDEUR (HG)	2011/01	
NEXO	2018/03	
SANTA FÉ III (DM, DMA)	2012/09	
SANTA FÉ IV (TM, TMA)	2018/02	



BRAKE PAD

• Front Axle

- Safety
- Performance
- OEM Standarts
- AYD Quality



OE:
D10601FC0A

11-60108AA

WVA :21561-21562

Technical Specifications:

Shim	Wear Indicator	Indicator Type	Piston Spring	Compression Spring	Rivet	Clips	Bolt	Plastic Plug	Kit
4	4	-	-	-	-	-	-	-	-

INFINITI

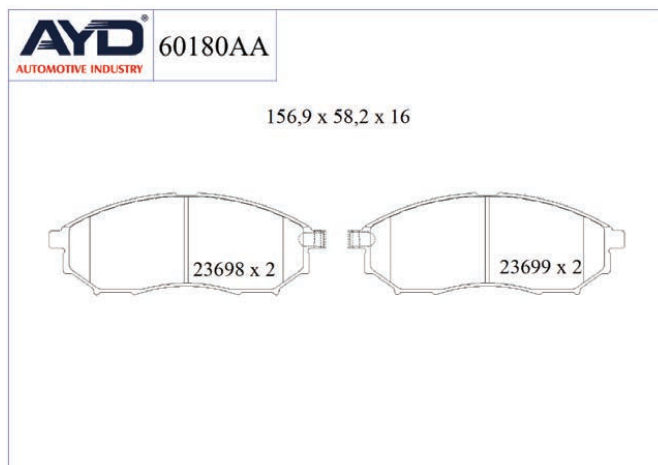
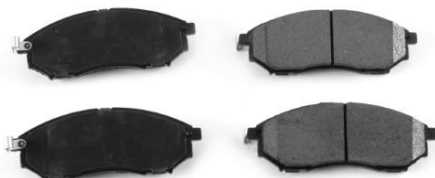
MODEL	START D.	END Y.
G Coupe	2002/09	2007/12



BRAKE PAD

• Front Axle

- Safety
- Performance
- OEM Standarts
- AYD Quality



OE:
41060AR090
41060AT30J
41060EG090

11-60180AA

WVA :23698-23699

Technical Specifications:

Shim	Wear Indicator	Indicator Type	Piston Spring	Compression Spring	Rivet	Clips	Bolt	Plastic Plug	Kit
4	4	-	-	-	-	-	-	-	-

INFINITI

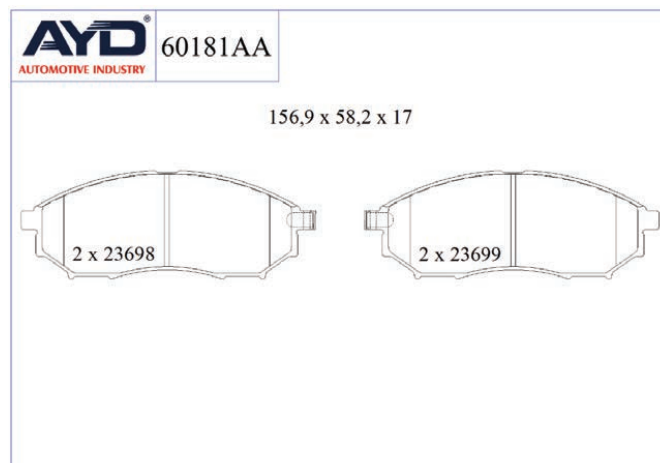
MODEL	START D.	END Y.
EX	2007/09	
FX	2002/09	2008/12
G Sedan	2007/01	
G Sedan	2002/08	
M (Y51)	2010/03	
Q70 (Y51)	2013/03	



BRAKE PAD

• Front Axle

- Safety
- Performance
- OEM Standarts
- AYD Quality



OE:
41060AR090-M
41060AT30J-M
41060EG090-M

11-60181AA

WVA :23698-23699

Technical Specifications:

Shim	Wear Indicator	Indicator Type	Piston Spring	Compression Spring	Rivet	Clips	Bolt	Plastic Plug	Kit
4	4	-	-	-	-	-	-	-	-

INFINITI

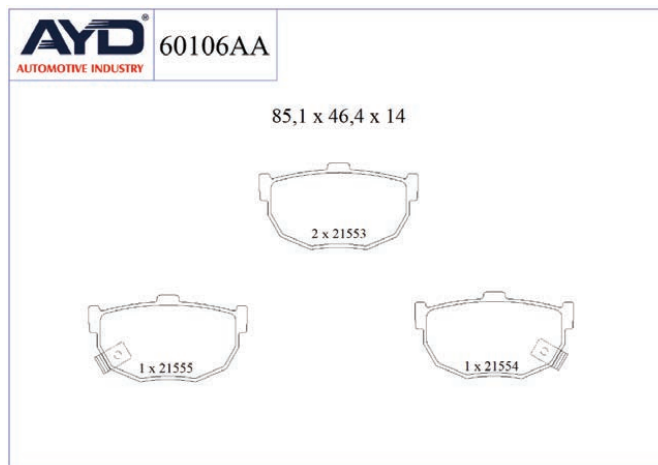
MODEL	START D.	END Y.
EX	2007/09	2008/12
FX	2002/09	
G Sedan	2007/01	
G Sedan	2002/08	
M (Y51)	2010/03	
Q70 (Y51)	2013/03	



BRAKE PAD

• Rear Axle

- Safety
- Performance
- OEM Standarts
- AYD Quality



OE:
5830229A10

11-60106AA

WVA :21553-21554-21555

Technical Specifications:

Shim	Wear Indicator	Indicator Type	Piston Spring	Compression Spring	Rivet	Clips	Bolt	Plastic Plug	Kit
4	2	-	-	-	-	-	-	-	-

KIA

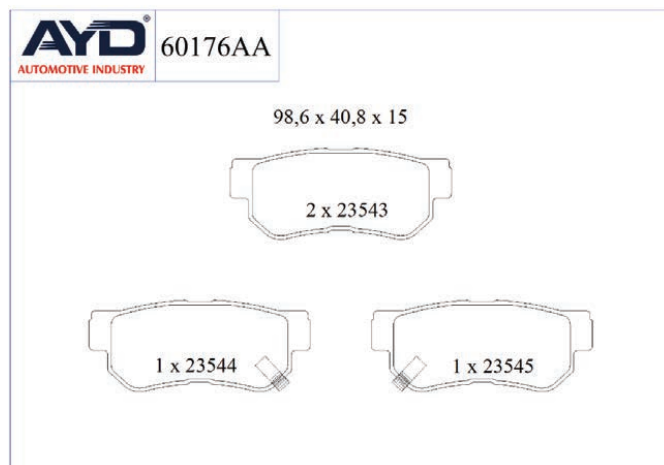
MODEL	START D.	END Y.
CERATO I Hatchback (LD)	2004/03	
CERATO I Sedan (LD)	2004/04	2009/12



BRAKE PAD

• Rear Axle

- Safety
- Performance
- OEM Standarts
- AYD Quality



OE:
583022EA00
5830238A10
583023CA10

11-60176AA

**WVA :
23543-23544-23545**

Technical Specifications:

Shim	Wear Indicator	Indicator Type	Piston Spring	Compression Spring	Rivet	Clips	Bolt	Plastic Plug	Kit
4	2	-	-	-	-	-	-	-	-

KIA

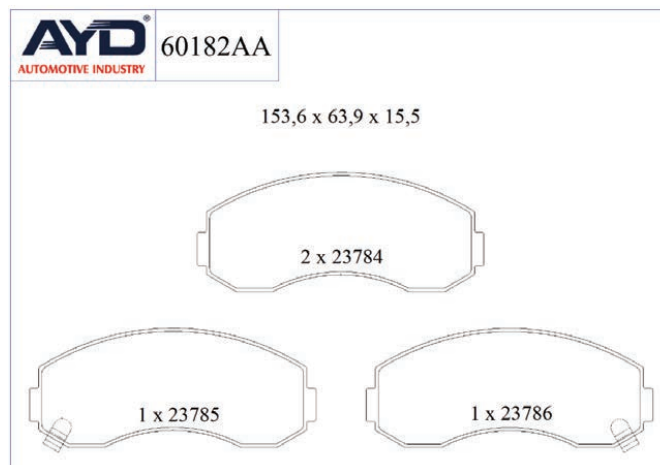
MODEL	START D.	END Y.
MAGENTIS (GD, MS)	2001/05	
OPIRUS (GH)	2003/09	
SPORTAGE II (JE_, KM)	2004/09	



BRAKE PAD

• Front Axle

- Safety
- Performance
- OEM Standarts
- AYD Quality



OE:
OK60A3328Z
OK60A3328ZA
OK60B3328Z

11-60182AA

WVA :23784-23785-23786

Technical Specifications:

Shim	Wear Indicator	Indicator Type	Piston Spring	Compression Spring	Rivet	Clips	Bolt	Plastic Plug	Kit
4	2	-	-	-	-	-	-	-	-

KIA

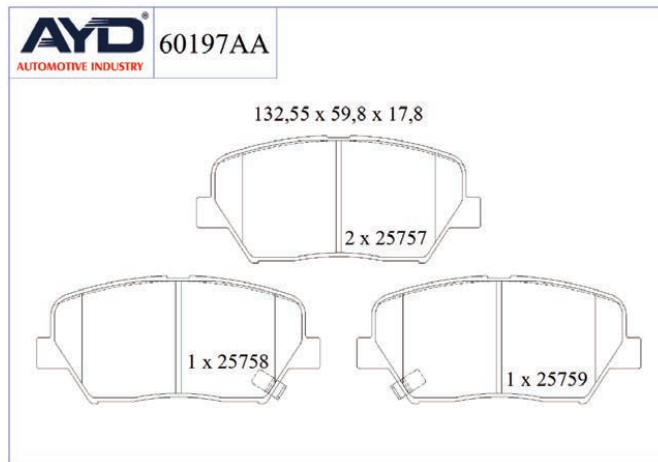
MODEL	START D.	END Y.
BESTA Minibus/Bus	1992/07	2003/12
BONGO Platform	1996/08	2004/08
BONGO Platform	1990/09	1999/09
K2500 Platform (SD)	2001/06	
K2700	2004/01	
K2700 (SD)	1999/10	
K2900	2008/01	



BRAKE PAD

• Front Axle

- Safety
- Performance
- OEM Standarts
- AYD Quality



OE:
581011UA00
581011UA50
581013TA10

11-60197AA

WVA :25757-25758-25759

Technical Specifications:

Shim	Wear Indicator	Indicator Type	Piston Spring	Compression Spring	Rivet	Clips	Bolt	Plastic Plug	Kit
4	2	-	-	-	-	2	-	-	-

KIA

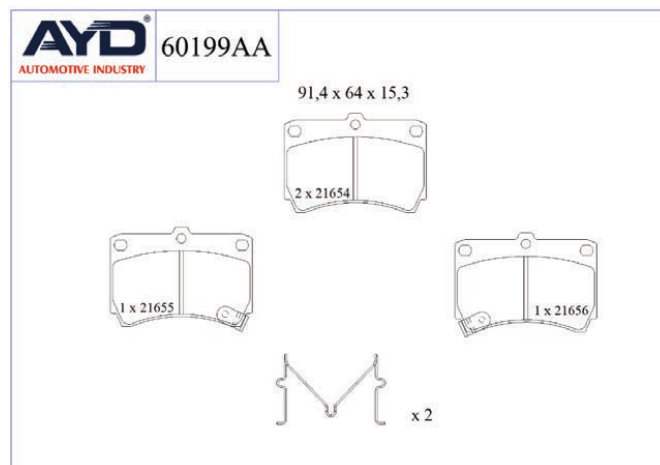
MODEL	START D.	END Y.
CARENS IV	2013/03	
K9 II (RJ)	2018/03	



BRAKE PAD

• Front Axle

- Safety
- Performance
- OEM Standarts
- AYD Quality



OE:
OK30A3328Z
K0BA23328Z
KK3703328Z

11-60199AA

WVA :24654-21655-21656

Technical Specifications:

Shim	Wear Indicator	Indicator Type	Piston Spring	Compression Spring	Rivet	Clips	Bolt	Plastic Plug	Kit
4	2	-	-	2	-	-	-	-	-

KIA

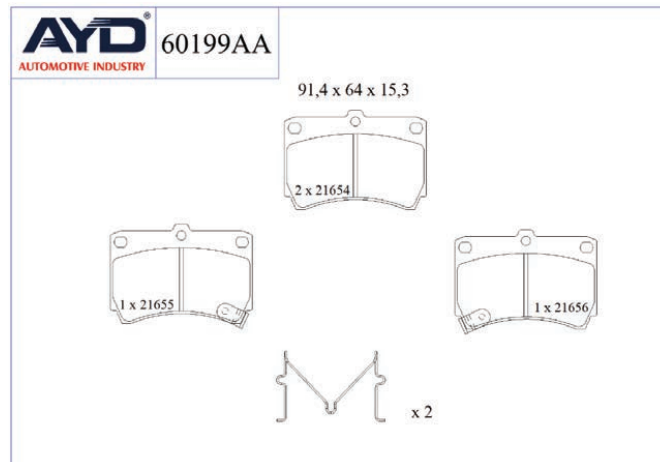
MODEL	START D.	END Y.
RIO Hatchback (DC)	2000/07	2006/04
RIO Sedan (DC_)	2000/07	2006/04



BRAKE PAD

• Front Axle

- Safety
- Performance
- OEM Standards
- AYD Quality



OE:
1U053328Z
1U063328Z
1U0B3328Z

11-60199AA

WVA :24654-21655-21656

Technical Specifications:

Shim	Wear Indicator	Indicator Type	Piston Spring	Compression Spring	Rivet	Clips	Bolt	Plastic Plug	Kit
4	2	-	-	2	-	-	-	-	-

MAZDA

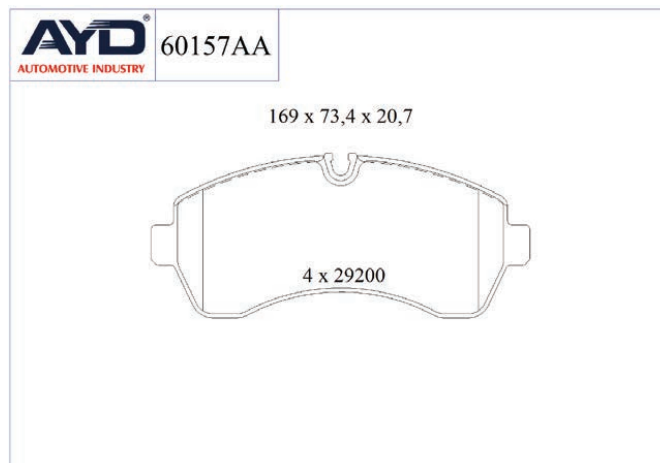
MODEL	START D.	END Y.
121 II (DB)	1990/11	1997/05
323 C IV (BG)	1989/06	2000/09
323 F IV (BG)	1987/04	1994/10
323 S IV (BG)	1989/06	1996/10
323 S V (BA)	1992/09	2003/12
DEMIO (DW)	1996/01	2003/07



BRAKE PAD

- Front Axle

- Safety
- Performance
- OEM Standarts
- AYD Quality



OE:
0044208220
0054205320
0084204720

11-60157AA

WVA :29200

Technical Specifications:

Shim	Wear Indicator	Indicator Type	Piston Spring	Compression Spring	Rivet	Clips	Bolt	Plastic Plug	Kit
4	-	-	-	-	-	-	-	-	-

MERCEDES-BENZ

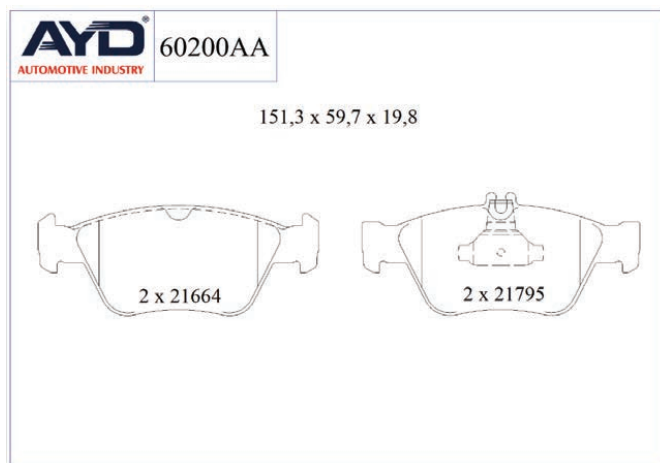
MODEL	START D.	END Y.
SPRINTER 3,5-t Minibus/Bus (B906)	2006/06	
SPRINTER 3,5-t Panelvan/Van (B906)	2006/06	
SPRINTER 3,5-t Platform (B906)	2006/06	
SPRINTER 4,6-t Panelvan/Van (B906)	2006/06	
SPRINTER 4,6-t Platform (B906)	2006/06	
SPRINTER 5-t Panelvan/Van (B906)	2006/06	



BRAKE PAD

• Front Axle

- Safety
- Performance
- OEM Standarts
- AYD Quality



OE:
0024204420
0024209620
0044200220

11-60200AA

WVA :21664-21795

Technical Specifications:

Shim	Wear Indicator	Indicator Type	Piston Spring	Compression Spring	Rivet	Clips	Bolt	Plastic Plug	Kit
4	-	-	2	-	-	-	-	-	-

MERCEDES-BENZ

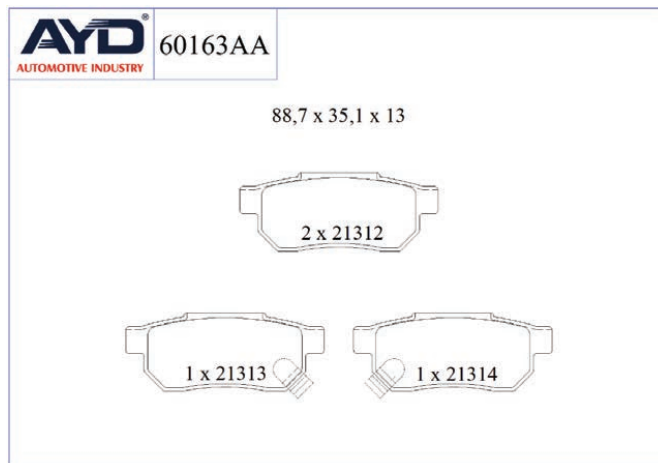
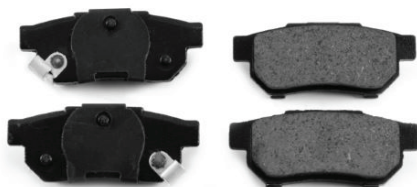
MODEL	START D.	END Y.
C-SERISI (W202)	1993/03	2000/05
C-SERISI T-Model (S202)	1996/06	2001/03
CLK (C208)	1997/06	2003/12
CLK Cabrio (A208)	1998/03	2002/03
E-SERISI (W210)	1995/06	2003/08
E-SERISI T-Model (S210)	1996/06	2003/03
SLK (R170)	1996/04	2004/04



BRAKE PAD

• Rear Axle

- Safety
- Performance
- OEM Standarts
- AYD Quality



OE:
GBP90347AF

11-60163AA

WVA :21312-21313-21314

Technical Specifications:

Shim	Wear Indicator	Indicator Type	Piston Spring	Compression Spring	Rivet	Clips	Bolt	Plastic Plug	Kit
4	2	-	-	-	-	-	-	-	-

MG

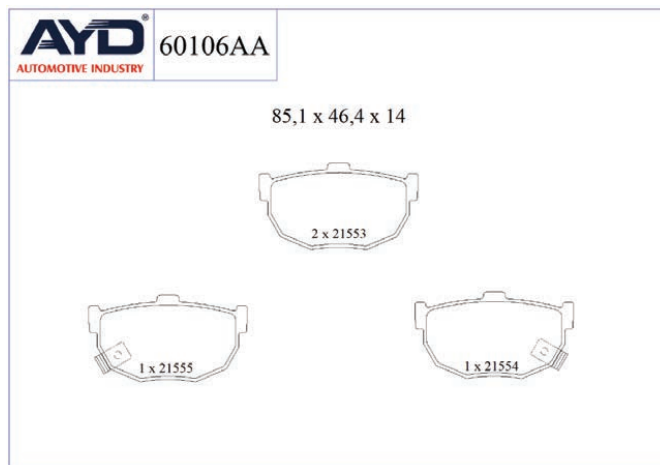
MODEL	START D.	END Y.
MG ZR	2001/06	2005/04
MG ZS	2001/07	2005/04
MG ZS Hatchback	2001/07	2005/10



BRAKE PAD

• Rear Axle

- Safety
- Performance
- OEM Standarts
- AYD Quality



OE:
1V0T2648Z
44060A1690

11-60106AA

WVA :21553-21554-21555

Technical Specifications:

Shim	Wear Indicator	Indicator Type	Piston Spring	Compression Spring	Rivet	Clips	Bolt	Plastic Plug	Kit
4	2	-	-	-	-	-	-	-	-

NISSAN

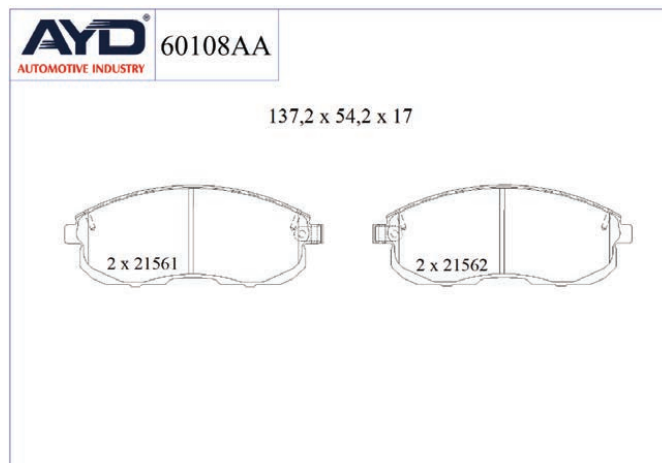
MODEL	START D.	END Y.
BLUEBIRD (T72 , T12, U12)	1985/12	1990/12
BLUEBIRD Hatchback (T72, T12)	1985/12	1992/11
MAXIMA III (J30)	1988/10	1995/02



BRAKE PAD

• Front Axle

- Safety
- Performance
- OEM Standards
- AYD Quality



OE:
410605Y790

11-60108AA

WVA :21561-21562

Technical Specifications:

Shim	Wear Indicator	Indicator Type	Piston Spring	Compression Spring	Rivet	Clips	Bolt	Plastic Plug	Kit
4	4	-	-	-	-	-	-	-	-

NISSAN

MODEL	START D.	END Y.
JUKE (F15)	2010/06	
MAXIMA / MAXIMA QX V (A33)	1999/04	2003/11
PULSAR Hatchback (C13)	2012/08	
TEANA I (J31)	2003/02	2008/09
TEANA II (J32)	2007/01	
TIIDA Hatchback (C11)	2004/05	2013/12
TIIDA Hatchback (C12)	2010/08	
TIIDA Sedan (SC11)	2004/05	2013/12



BRAKE PAD

• Rear Axle

- Safety
- Performance
- OEM Standards
- AYD Quality



OE:
440603F025
440603F085
440603FD85

11-60165AA

WVA :21545

Technical Specifications:

Shim	Wear Indicator	Indicator Type	Piston Spring	Compression Spring	Rivet	Clips	Bolt	Plastic Plug	Kit
4	-	-	-	4	4	-	-	-	-

NISSAN

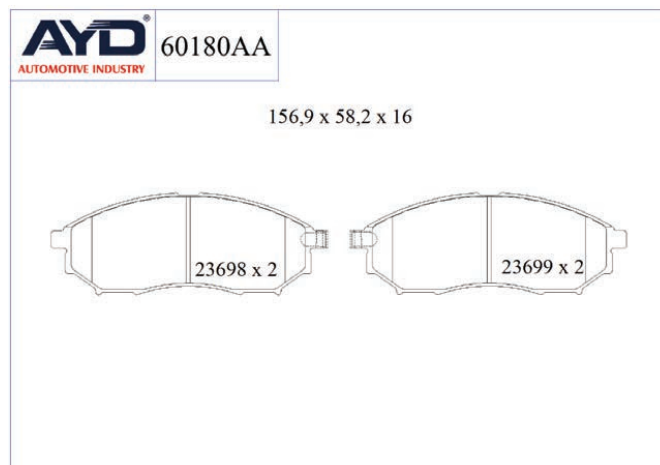
MODEL	START D.	END Y.
ALMERA II (N16)	2000/04	
ALMERA II Hatchback (N16)	2000/01	
ALMERA TINO (V10)	1998/12	2006/02
PRIMERA (P10)	1990/06	1996/06
PRIMERA (P11)	1996/06	2001/12
PRIMERA Hatchback (P10)	1990/06	1996/06
PRIMERA Hatchback (P11)	1996/06	2002/07
PRIMERA Traveller (WP11)	1996/06	2002/01



BRAKE PAD

• Front Axle

- Safety
- Performance
- OEM Standards
- AYD Quality



OE:
MQ706233
410600V790
41060CC090

11-60180AA

WVA :23698-23699

Technical Specifications:

Shim	Wear Indicator	Indicator Type	Piston Spring	Compression Spring	Rivet	Clips	Bolt	Plastic Plug	Kit
4	4	-	-	-	-	-	-	-	-

NISSAN

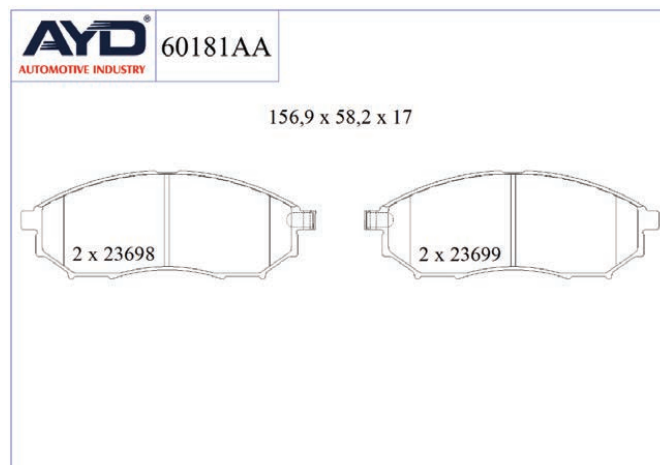
MODEL	START D.	END Y.
MURANO I (Z50)	2002/04	2009/12
MURANO II (Z51)	2007/10	2014/09
NP300 NAVARA (D40)	2004/10	
NP300 NAVARA Pick-up (D23)	2014/07	
NP300 NAVARA Platform (D40)	2008/07	
PATHFINDER III (R51)	2005/01	
QASHQAI / QASHQAI +2 I (J10, NJ10, JJ10E)	2006/12	2014/04
QASHQAI / QASHQAI +2 I VAN (J10, JJ10E)	2006/12	2014/04



BRAKE PAD

• Front Axle

- Safety
- Performance
- OEM Standarts
- AYD Quality



OE:
MQ706233-M
410600V790-M
41060CC090-M

11-60181AA

WVA :23698-23699

Technical Specifications:

Shim	Wear Indicator	Indicator Type	Piston Spring	Compression Spring	Rivet	Clips	Bolt	Plastic Plug	Kit
4	4	-	-	-	-	-	-	-	-

NISSAN

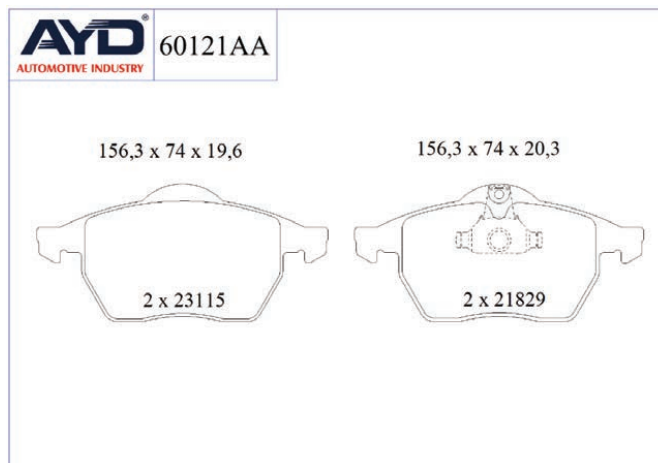
MODEL	START D.	END Y.
MURANO I (Z50)	2002/04	2009/12
MURANO II (Z51)	2007/10	2014/09
NP300 NAVARA (D40)	2004/10	
NP300 NAVARA Pick-up (D23)	2014/07	
NP300 NAVARA Platform (D40)	2008/07	
PATHFINDER III (R51)	2005/01	
QASHQAI / QASHQAI +2 I (J10, NJ10, JJ10E)	2006/12	2014/04
QASHQAI / QASHQAI +2 I VAN (J10, JJ10E)	2006/12	2014/04



BRAKE PAD

• Front Axle

- Safety
- Performance
- OEM Standarts
- AYD Quality



OE:
09198688

11-60121AA

WVA :23115-21829

Technical Specifications:

Shim	Wear Indicator	Indicator Type	Piston Spring	Compression Spring	Rivet	Clips	Bolt	Plastic Plug	Kit
-	-	-	2	-	-	-	-	-	-

OPEL

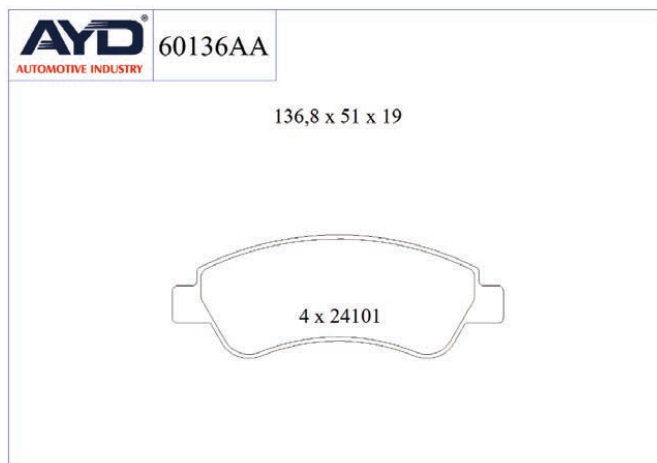
MODEL	START D.	END Y.
CALIBRA A (C89)	1989/08	1997/07
VECTRA B (J96)	1995/09	2004/07
VECTRA B Hatchback (J96)	1995/09	2003/07
VECTRA B Station wagon (J96)	1996/11	2003/07



BRAKE PAD

• Front Axle

- Safety
- Performance
- OEM Standarts
- AYD Quality



OE:
3649088

11-60136AA

WVA :24101

Technical Specifications:

Shim	Wear Indicator	Indicator Type	Piston Spring	Compression Spring	Rivet	Clips	Bolt	Plastic Plug	Kit
4	-	-	-	-	-	-	-	-	-

OPEL

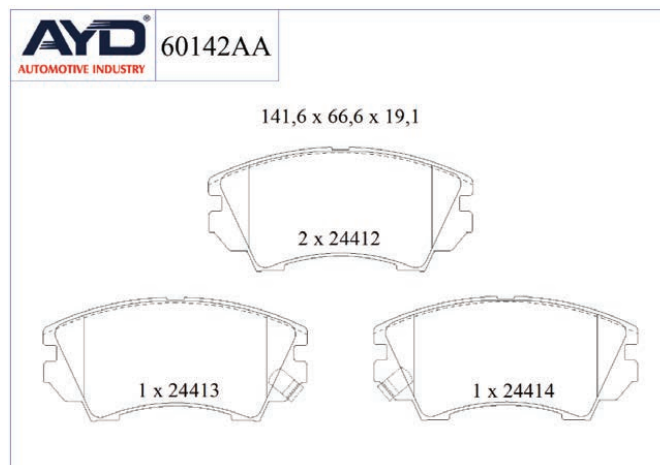
MODEL	START D.	END Y.
CORSA F	2019/07	
CORSA F	2019/07	
CROSSLAND X / CROSSLAND (P17, P2QO)	2017/03	



BRAKE PAD

• Front Axle

- Safety
- Performance
- OEM Standarts
- AYD Quality



OE:
95520061
95516195
95514526

11-60142AA

WVA :24412-24413-24414

Technical Specifications:

Shim	Wear Indicator	Indicator Type	Piston Spring	Compression Spring	Rivet	Clips	Bolt	Plastic Plug	Kit
4	2	-	-	-	-	-	-	-	-

OPEL

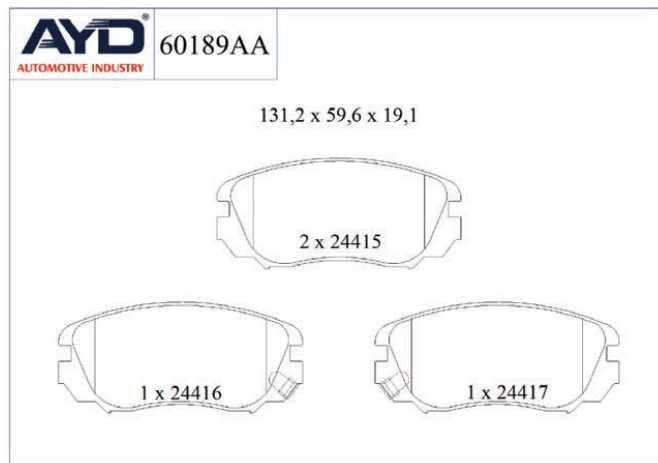
MODEL	START D.	END Y.
ASTRA J (P10)	2009/09	2015/10
ASTRA J GTC	2011/10	
ASTRA J Sedan	2012/06	
ASTRA J Sports Tourer (P10)	2010/10	2015/10
CASCADA (W13)	2013/03	2019/04
INSIGNIA A (G09)	2008/07	2017/03
INSIGNIA A Sedan (G09)	2008/07	2017/03
INSIGNIA A Sports Tourer (G09)	2008/07	2017/03
ZAFIRA TOURER C (P12)	2011/10	



BRAKE PAD

• Front Axle

- Safety
- Performance
- OEM Standards
- AYD Quality



OE:
13237750
1605185
1605236

11-60189AA

WVA :24415-24416-24417

Technical Specifications:

Shim	Wear Indicator	Indicator Type	Piston Spring	Compression Spring	Rivet	Clips	Bolt	Plastic Plug	Kit
4	2	-	-	-	-	-	-	-	-

OPEL

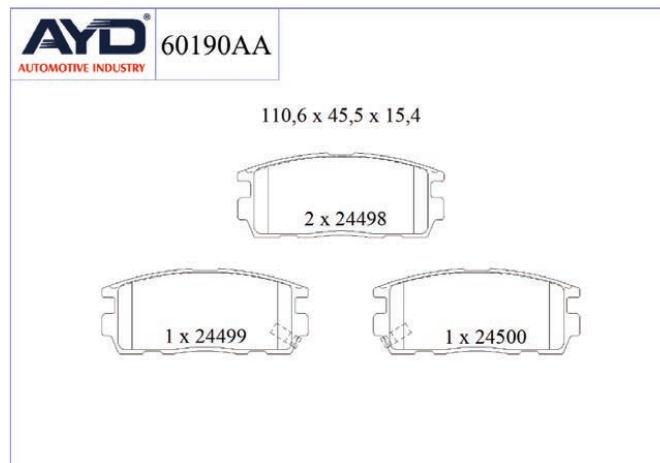
MODEL	START D.	END Y.
INSIGNIA A (G09)	2008/07	2017/03
INSIGNIA A Country Tourer (G09)	2008/07	2017/03
INSIGNIA A Sedan (G09)	2008/07	2017/03
INSIGNIA A Sports Tourer (G09)	2008/07	2017/03



BRAKE PAD

• Rear Axle

- Safety
- Performance
- OEM Standarts
- AYD Quality



OE:
1605123
4817791
4819239

11-60190AA

WVA :24498-24499-24450

Technical Specifications:

Shim	Wear Indicator	Indicator Type	Piston Spring	Compression Spring	Rivet	Clips	Bolt	Plastic Plug	Kit
4	2	-	-	-	-	-	-	-	-

OPEL

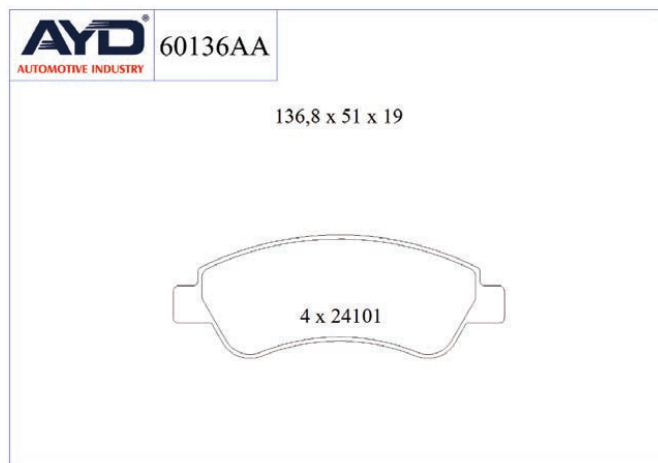
MODEL	START D.	END Y.
ANTARA A (L07)	2006/05	



BRAKE PAD

• Front Axle

- Safety
- Performance
- OEM Standards
- AYD Quality



OE:
1646186180

11-60136AA

WVA :24101

Technical Specifications:

Shim	Wear Indicator	Indicator Type	Piston Spring	Compression Spring	Rivet	Clips	Bolt	Plastic Plug	Kit
4	-	-	-	-	-	-	-	-	-

PEUGEOT

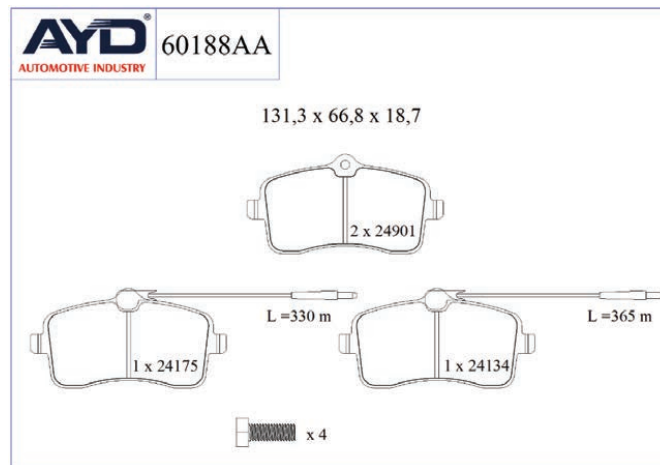
MODEL	START D.	END Y.
2008 I (CU_)	2013/03	
206 CC (2D)	2000/09	2008/12
206 Hatchback (2A/C)	1998/08	2012/12
206 Sedan	2007/03	
206 SW (2E/K)	2002/07	
207 (WA_, WC_)	2006/02	2015/12
207 SW (WK_)	2007/02	2013/12
208 (CR_)	2012/10	
208 I (CA_, CC_)	2012/03	
208 II (UB_, UP_, UW_, UJ_)	2019/06	



BRAKE PAD

• Front Axle

- Safety
- Performance
- OEM Standarts
- AYD Quality



OE:
1611456580
425277
425332

11-60188AA

WVA :24175-25134-24901

Technical Specifications:

Shim	Wear Indicator	Indicator Type	Piston Spring	Compression Spring	Rivet	Clips	Bolt	Plastic Plug	Kit
4	2	-	-	-	-	-	4	-	-

PEUGEOT

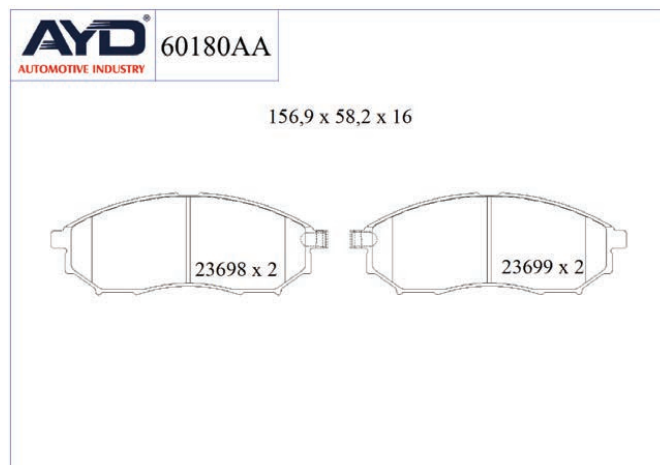
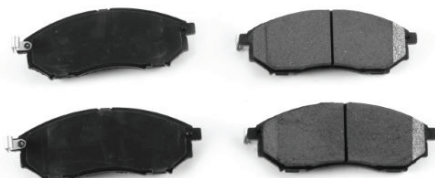
MODEL	START D.	END Y.
407 (6D_)	2004/02	2011/12
407 SW (6E_)	2004/05	2011/12



BRAKE PAD

• Front Axle

- Safety
- Performance
- OEM Standarts
- AYD Quality



OE:
410600023R
410603072R

11-60180AA

WVA :23698-23699

Technical Specifications:

Shim	Wear Indicator	Indicator Type	Piston Spring	Compression Spring	Rivet	Clips	Bolt	Plastic Plug	Kit
4	4	-	-	-	-	-	-	-	-

RENAULT

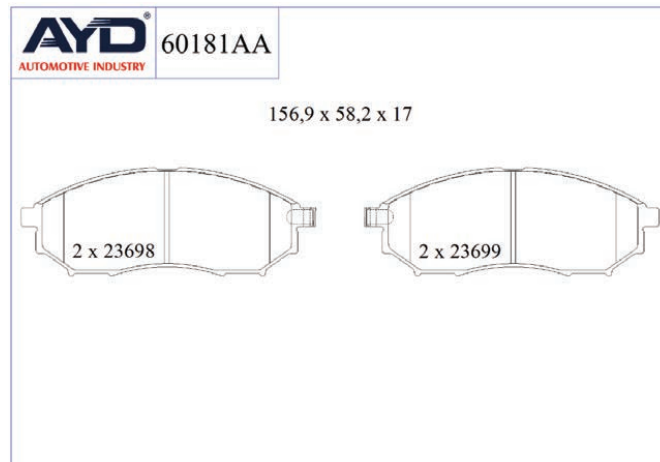
MODEL	START D.	END Y.
KOLEOS I (HY_)	2008/09	



BRAKE PAD

• Front Axle

- Safety
- Performance
- OEM Standarts
- AYD Quality



OE:
410600023R-M
410603072R-M

11-60181AA

WVA :23698-23699

Technical Specifications:

Shim	Wear Indicator	Indicator Type	Piston Spring	Compression Spring	Rivet	Clips	Bolt	Plastic Plug	Kit
4	4	-	-	-	-	-	-	-	-

RENAULT

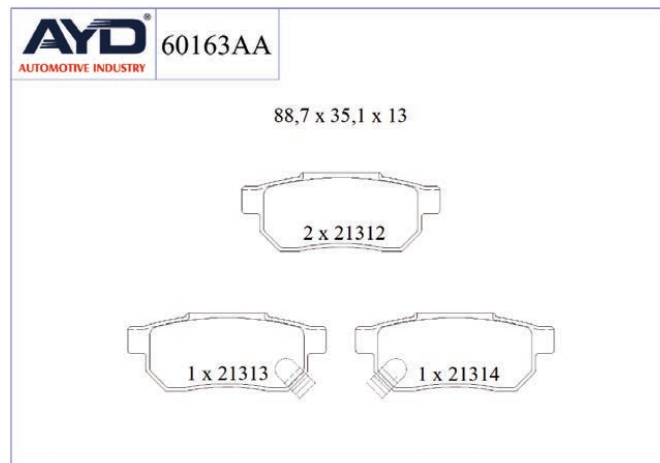
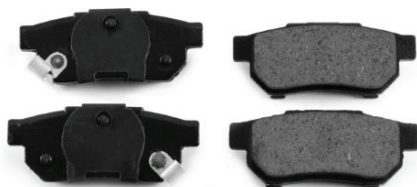
MODEL	START D.	END Y.
KOLEOS I (HY_)	2008/09	



BRAKE PAD

• Rear Axle

- Safety
- Performance
- OEM Standarts
- AYD Quality



OE:
06022SP8000
910000439E
EJP1437

11-60163AA

WVA :21312-21313-21314

Technical Specifications:

Shim	Wear Indicator	Indicator Type	Piston Spring	Compression Spring	Rivet	Clips	Bolt	Plastic Plug	Kit
4	2	-	-	-	-	-	-	-	-

ROVER

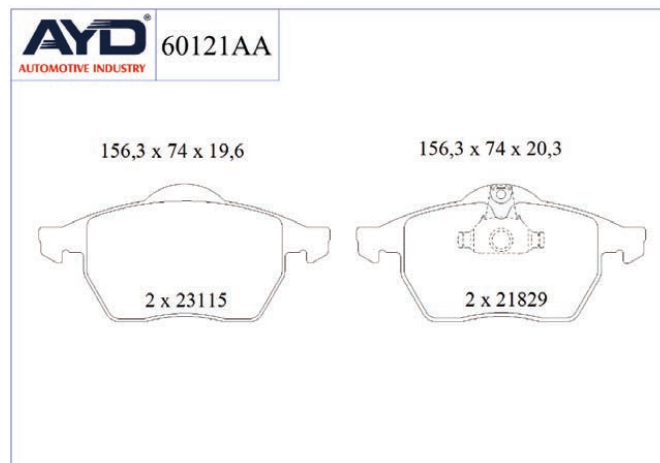
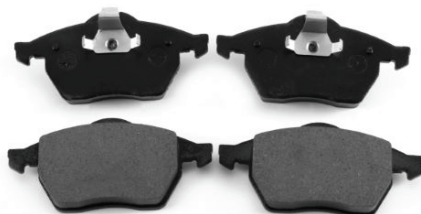
MODEL	START D.	END Y.
45 I Sedan (RT)	2000/02	2005/05



BRAKE PAD

- Front Axle

- Safety
- Performance
- OEM Standarts
- AYD Quality



OE:
5124078

11-60121AA

WVA :23115-21829

Technical Specifications:

Shim	Wear Indicator	Indicator Type	Piston Spring	Compression Spring	Rivet	Clips	Bolt	Plastic Plug	Kit
-	-	-	2	-	-	-	-	-	-

SAAB

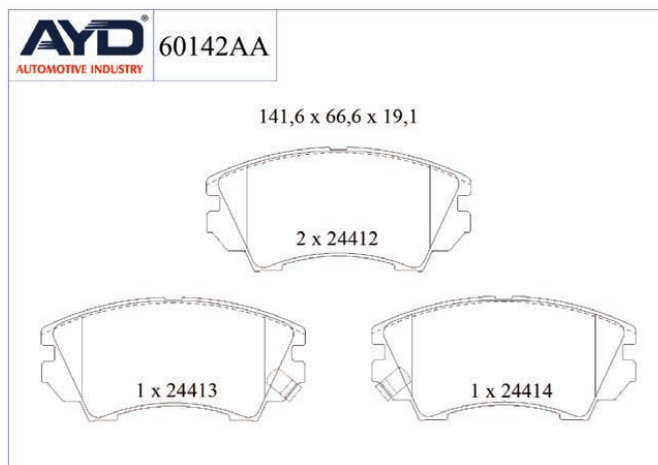
MODEL	START D.	END Y.
9-5 (YS3E)	1997/09	2009/12
9-5 Station wagon (YS3E)	1998/10	2009/12



BRAKE PAD

• Front Axle

- Safety
- Performance
- OEM Standarts
- AYD Quality



OE:
22786292

11-60142AA

WVA :24412-24413-24414

Technical Specifications:

Shim	Wear Indicator	Indicator Type	Piston Spring	Compression Spring	Rivet	Clips	Bolt	Plastic Plug	Kit
4	2	-	-	-	-	-	-	-	-

SAAB

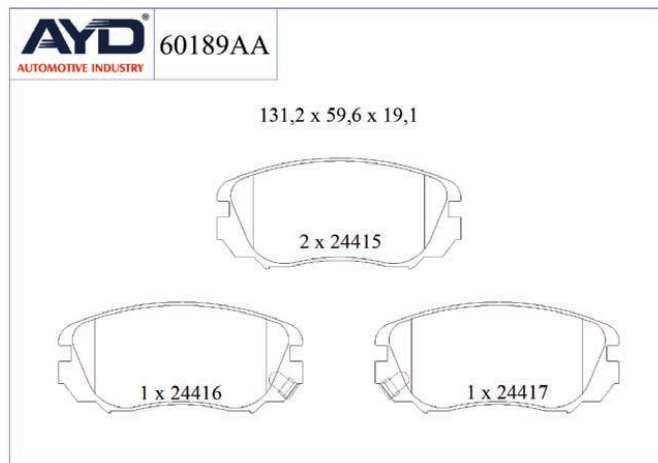
MODEL	START D.	END Y.
9-5 (YS3G)	2010/01	2012/01



BRAKE PAD

• Front Axle

- Safety
- Performance
- OEM Standarts
- AYD Quality



OE:
20877794
13237753

11-60189AA

WVA :24415-24416-24417

Technical Specifications:

Shim	Wear Indicator	Indicator Type	Piston Spring	Compression Spring	Rivet	Clips	Bolt	Plastic Plug	Kit
4	2	-	-	-	-	-	-	-	-

SAAB

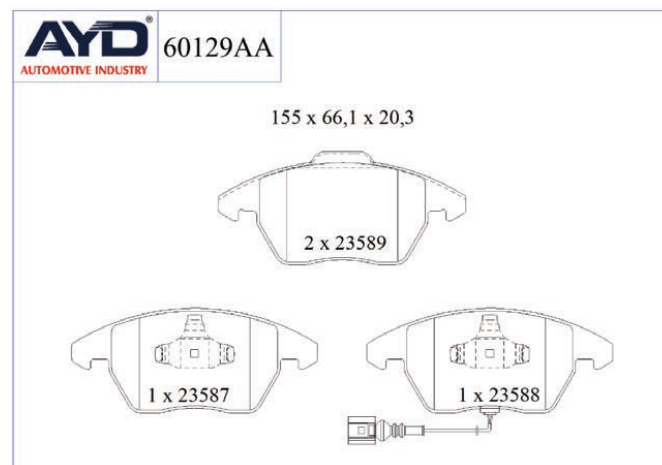
MODEL	START D.	END Y.
9-5 (YS3G)	2010/01	2012/01



BRAKE PAD

• Front Axle

- Safety
- Performance
- OEM Standards
- AYD Quality



OE:
8J0698151C

11-60129AA

WVA :23587-23588-23589

Technical Specifications:

Shim	Wear Indicator	Indicator Type	Piston Spring	Compression Spring	Rivet	Clips	Bolt	Plastic Plug	Kit
4	1	-	2	-	-	-	-	-	-

SEAT

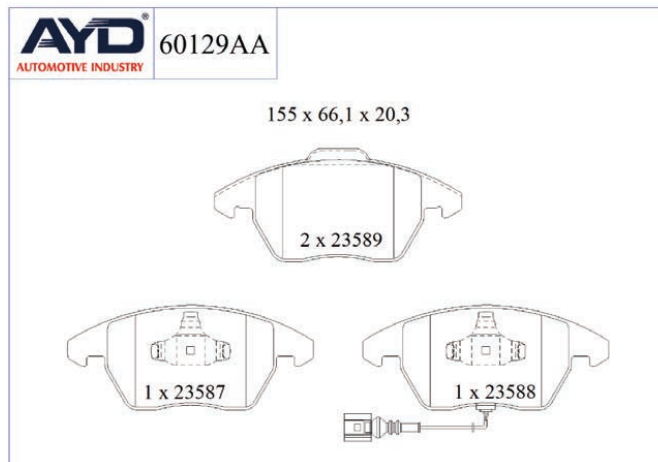
MODEL	START D.	END Y.
ALTEA (5P1)	2004/03	
ALTEA XL (5P5, 5P8)	2006/10	
IBIZA IV (6J5, 6P1)	2008/03	2017/12
IBIZA IV SC (6J1, 6P5)	2008/06	2018/12
IBIZA IV ST (6J8, 6P8)	2010/03	2016/07
LEON (1P1)	2005/05	2013/12
TOLEDO III (5P2)	2004/04	2009/05
TOLEDO IV (KG3)	2012/07	2019/04



BRAKE PAD

• Front Axle

- Safety
- Performance
- OEM Standards
- AYD Quality



OE:
8J0698151

11-60129AA

WVA :23587-23588-23589

Technical Specifications:

Shim	Wear Indicator	Indicator Type	Piston Spring	Compression Spring	Rivet	Clips	Bolt	Plastic Plug	Kit
4	1	-	2	-	-	-	-	-	-

SKODA

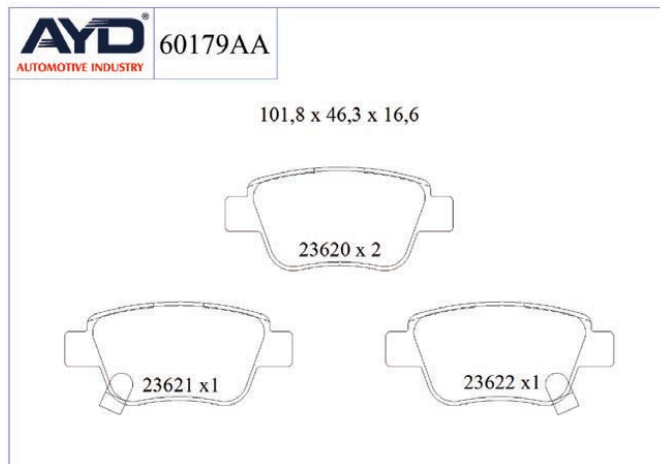
MODEL	START D.	END Y.
OCTAVIA II (1Z3)	2004/02	2013/06
OCTAVIA II Combi (1Z5)	2004/02	2013/06
SUPERB II (3T4)	2008/03	2015/05
SUPERB II Station wagon (3T5)	2009/10	2015/05
YETI (5L)	2009/05	2017/12



BRAKE PAD

• Rear Axle

- Safety
- Performance
- OEM Standarts
- AYD Quality



OE:
0446558010
0446605010
0446605020

11-60179AA

WVA :23620-23621-23622

Technical Specifications:

Shim	Wear Indicator	Indicator Type	Piston Spring	Compression Spring	Rivet	Clips	Bolt	Plastic Plug	Kit
4	2	-	-	-	-	-	-	-	-

TOYOTA

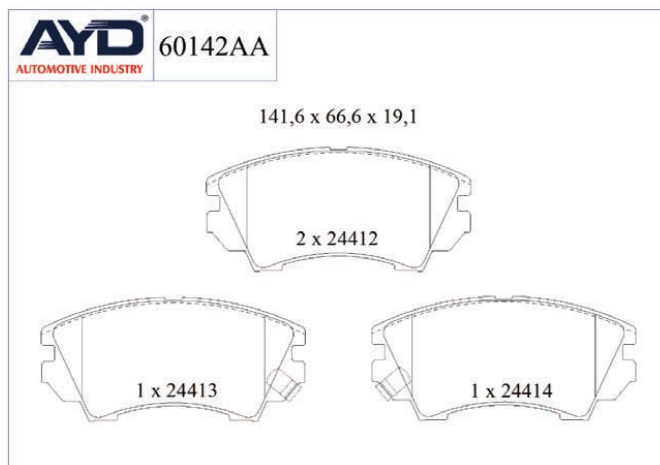
MODEL	START D.	END Y.
AVENSIS (_T25_)	2003/03	2008/11
AVENSIS Sedan (_T25_)	2003/01	2008/11
AVENSIS Station wagon (_T25_)	2003/04	2008/11
COROLLA Verso (ZER_, ZZE12_, R1_)	2004/03	2009/04
PREVIA III (_R2_, _R5_)	2005/10	



BRAKE PAD

• Front Axle

- Safety
- Performance
- OEM Standarts
- AYD Quality



OE:
95516195

11-60142AA

WVA :24412-24413-24414

Technical Specifications:

Shim	Wear Indicator	Indicator Type	Piston Spring	Compression Spring	Rivet	Clips	Bolt	Plastic Plug	Kit
4	2	-	-	-	-	-	-	-	-

VAUXHALL

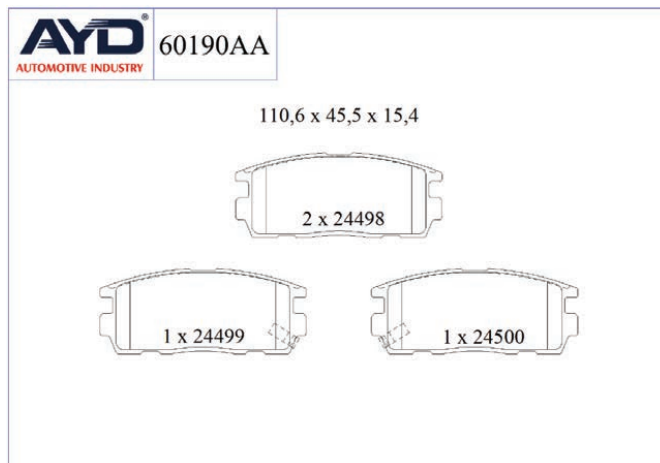
MODEL	START D.	END Y.
ZAFIRA Mk III (P12)	2011/10	2018/08



BRAKE PAD

• Rear Axle

- Safety
- Performance
- OEM Standarts
- AYD Quality



OE:
20801538
95599731
96626076

11-60190AA

WVA :24498-24499-24450

Technical Specifications:

Shim	Wear Indicator	Indicator Type	Piston Spring	Compression Spring	Rivet	Clips	Bolt	Plastic Plug	Kit
4	2	-	-	-	-	-	-	-	-

VAUXHALL

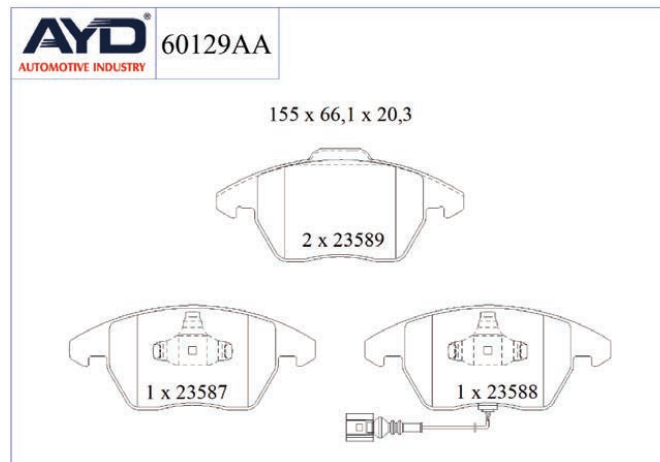
MODEL	START D.	END Y.
ANTARA A (L07)	2006/08	



BRAKE PAD

• Front Axle

- Safety
- Performance
- OEM Standards
- AYD Quality



OE:
1K0698151
8E0098301T

11-60129AA

WVA :23587-23588-23589

Technical Specifications:

Shim	Wear Indicator	Indicator Type	Piston Spring	Compression Spring	Rivet	Clips	Bolt	Plastic Plug	Kit
4	1	-	2	-	-	-	-	-	-

VW

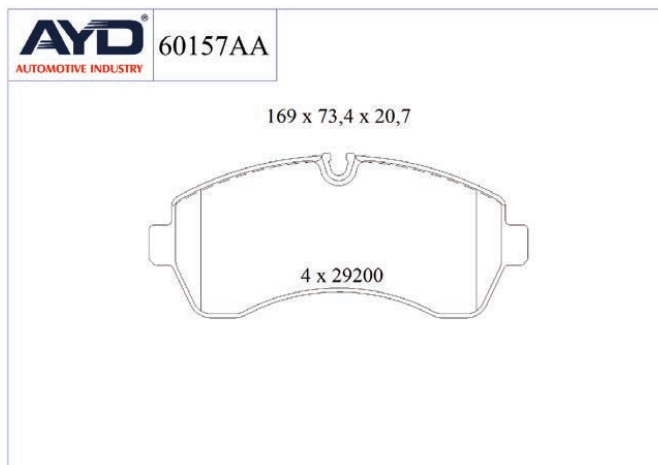
MODEL	START D.	END Y.
BEETLE (5C1, 5C2)	2011/04	2019/07
BEETLE Cabrio (5C7, 5C8)	2011/12	2019/07
CADDY III (2KA, 2KH, 2CA, 2CH)	2004/03	2015/05
CADDY III MPV (2KB, 2KJ, 2CB, 2CJ)	2004/03	2015/05
CC B7 (358)	2011/11	2016/12
EOS (1F7, 1F8)	2006/03	2015/08
GOLF PLUS V (5M1, 521)	2004/12	2013/12
GOLF V (1K1)	2003/10	2010/07
GOLF V Variant (1K5)	2007/01	2009/07
GOLF VAN VI Variant (AJ5)	2009/07	2014/05



BRAKE PAD

• Front Axle

- Safety
- Performance
- OEM Standarts
- AYD Quality



OE:
2E0698151A
2E0698151C
2E0698151F

11-60157AA

WVA :29200

Technical Specifications:

Shim	Wear Indicator	Indicator Type	Piston Spring	Compression Spring	Rivet	Clips	Bolt	Plastic Plug	Kit
4	-	-	-	-	-	-	-	-	-

VW

MODEL	START D.	END Y.
CRAFTER 30-35 Minibus/Bus (2E_)	2006/04	2016/12
CRAFTER 30-50 Panelvan/Van (2E_)	2006/04	2016/12
CRAFTER 30-50 Platform (2F_)	2006/04	2016/12

